

**WRC**  
**PATTERNS**  
**FRIDAY**  
**JULY 5,**  
**2024**

WVQHA--2024 Show Bill--Winfield Riding Club, 5449 St Rt 34, Winfield, WV 25213

July 5-7

# FRI

**TRAIL CLASSES START AT 8:00 AM**

- 126 Level 1 Amateur Walk Trot Trail
- 127 Level 1 Youth Walk Trot Trail
- 128 Small Fry Trail
- 129 EWD Trail (ASSISTED)
- 130 EWD Trail (NOT ASSISTED)
- 131 Rookie Amateur Trail
- 132 Rookie Youth Trail
- 133 Novice Amateur Trail
- 134 Novice Youth Trail
- 135 Youth Trail
- 136 Green Trail
- 137 Amateur Select Trail
- 138 Amateur Trail
- 139 Trail - All Age

**WESTERN RIDING WARM-UP**

- 140 Green Western Riding
- 141 Novice Amateur Western Riding
- 142 Novice Youth Western Riding
- 143 Youth Western Riding
- 144 Amateur Western Riding
- 145 Western Riding All-Age

**BREAK- HORSEMANSHIP WILL NOT START BEFORE 10 AM**

- 146 John Ackerman Memorial Leadline  
(Western & Huntseat)
- 147 Small Fry Western Pleasure
- 148 Small Fry Horsemanship
- 149 EWD Horsemanship (ASSISTED)
- 150 EWD Horsemanship (NOT ASSISTED)
- 151 Level 1 Amateur Walk Trot Western Horsemanship
- 152 Level 1 Youth Walk Trot Western Horsemanship
- 153 Rookie Amateur Western Horsemanship
- 154 Rookie Youth Western Horsemanship
- 155 Novice Amateur Western Horsemanship
- 156 Novice Youth Western Horsemanship
- 157 Amateur Select Western Horsemanship
- 158 Youth Horsemanship 13 & Under
- 159 Youth Horsemanship 14-18
- 160 Amateur Western Horsemanship

**BREAK-WESTERN PLEASURE WILL NOT START BEFORE 11 AM**

- 161 Chris Hammett Memorial Western Walk Trot
- 162 EWD Western Pleasure (ASSISTED)
- 163 EWD Western Pleasure (NOT ASSISTED)
- 164 Level 1 Amateur Western Walk Trot
- 165 Level 1 Youth Western Walk Trot
- 166 Green Western Pleasure
- 167 Rookie Amateur Western Pleasure
- 168 Rookie Youth Western Pleasure
- 169 Novice Amateur Western Pleasure
- 170 Novice Youth Western Pleasure
- 171 Junior Western Pleasure
- 172 Youth 13 & Under Western Pleasure
- 173 Youth 14-18 Western Pleasure
- 174 Amateur Select Western Pleasure
- 175 Amateur Western Pleasure
- 176 Senior Western Pleasure

**BREAK-HUNT SEAT HORSES ONLY (Not to start before 12am)**

- 76 English Walk Trot-All Age
- 77 EWD Assisted Hunter Under Saddle
- 78 EWD UnAssisted Hunter Under Saddle
- 79 Level 1 Amateur Walk Trot Hunter Under Saddle
- 80 Level 1 Youth Walk Trot Hunter Under Saddle
- 81 Green Hunter Under Saddle
- 82 Rookie Amateur Hunter Under Saddle
- 83 Rookie Youth Hunter Under Saddle
- 84 Novice L-1 Amateur Hunter Under Saddle
- 85 Novice L-1 Youth Hunter Under Saddle
- 86 Junior Hunter Under Saddle
- 87 Small Fry Hunter Under Saddle
- 88 Youth Hunter Under Saddle 13 & Under
- 89 Youth Hunter Under Saddle 14 -18
- 90 Amateur Select Hunter Under Saddle
- 91 Senior Hunter Under Saddle
- 92 Amateur Hunter Under Saddle

**EQUITATION**

- 93 EWD Hunt Seat Equitation (ASSISTED)
- 94 EWD Hunt Seat Equitation (NOT ASSISTED)
- 95 Level 1 Amateur Walk Trot Hunt Seat Equitation
- 96 Level 1 Youth Walk Trot Hunt Seat Equitation
- 97 Rookie Amateur Hunt Seat Equitation
- 98 Rookie Youth Hunt Seat Equitation
- 99 Novice L-1 Amateur Hunt Seat Equitation
- 100 Novice L-1 Youth Hunt Seat Equitation
- 101 Small Fry Equitation
- 102 Amateur Select Hunt Seat Equitation
- 103 Youth Hunt Seat Equitation 13& Under
- 104 Youth Hunt Seat Equitation 14-18
- 105 Amateur Hunt Seat Equitation

**Ranch and Reining Warm Up**

- 106 Youth Reining
- 107 Amateur Reining
- 108 Reining -All Age
- 109 Novice L-1 Amateur Ranch Riding
- 110 Novice L-1 Youth Ranch Riding
- 111 Amateur Ranch Riding
- 112 Youth Ranch Riding
- 113 Open Ranch Riding
- 114 Open Ranch Rail Pleasure (Not AQHA)
- 115 Youth Working Western Rail
- 116 Amateur Working Western Rail
- 117 Open Working Western Rail
- 118 Green Ranch Trail
- 119 Rookie Amateur Ranch Trail
- 120 Rookie Youth Ranch Trail
- 121 Novice L-1 Amateur Ranch Trail
- 122 Novice L-1 Youth Ranch Trail
- 123 Youth Ranch Trail
- 124 Amateur Ranch Trail
- 125 Open Ranch Trail

**CONTEST**

**SUNDAY  
AFTER  
PLEASURE  
CLASSES**

**COGGINS & HEALTH PAPERS REQUIRED!**  
COGGINS-WV HORSES  
COGGINS & HEALTH PAPERS (WITHIN 30 DAYS) ON ALL OUT OF  
STATE HORSES  
BY ORDER OF THE WEST VIRGINIA DEPT. OF AGRICULTURE

**MOTELS: SLEEP INN (304) 397-3200  
DISCOUNTED WVQHA RATES AVAILABLE  
RED ROOF INN (304) 757-6392  
HAMPTON INN (304) 760-7292**

*Please note: Exhibitors are responsible for providing documentation to office for Rookie and Novice Eligibility per AQHA leveling rules.*



WVQHA

FRIDAY

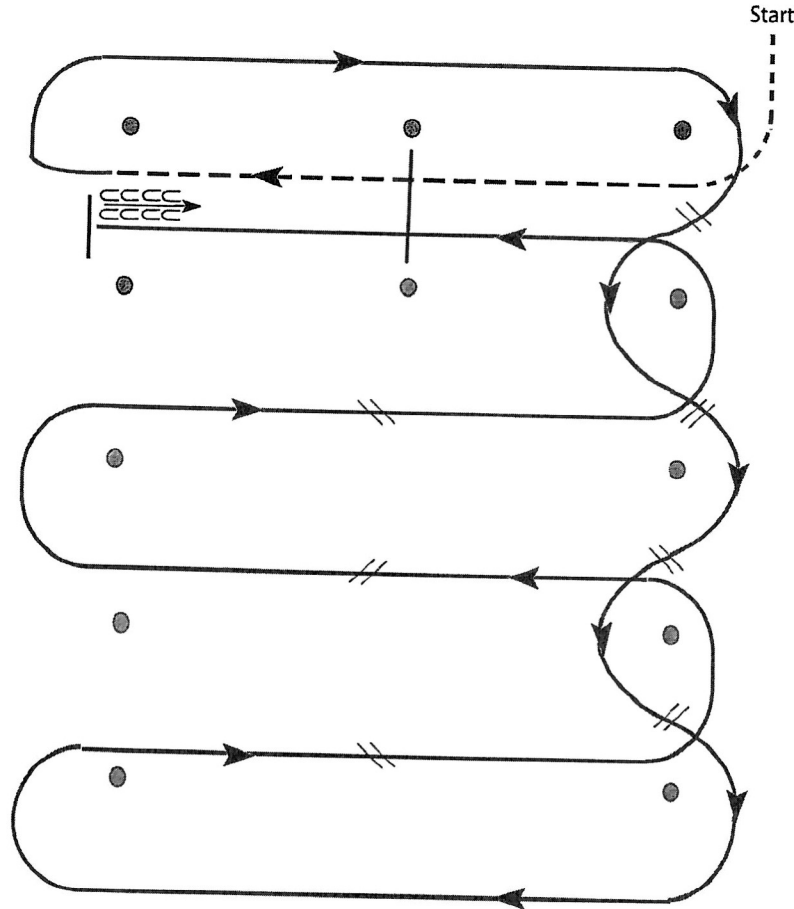
Western Riding (Youth/Amateur/Open)

715

Show Date:

www.HorseShowPatterns.com

www.HorseShowPatterns.com



1. Walk, transition to jog, jog over log.
2. Transition to right.
3. First line change.
4. Second line change.
5. Third line change.
6. Fourth line change.
7. First crossing change.
8. Second crossing change.
9. Third crossing change.
10. Lope over log.
11. Lope, stop and back.

[WR/OP-4]

Pattern Provided by:

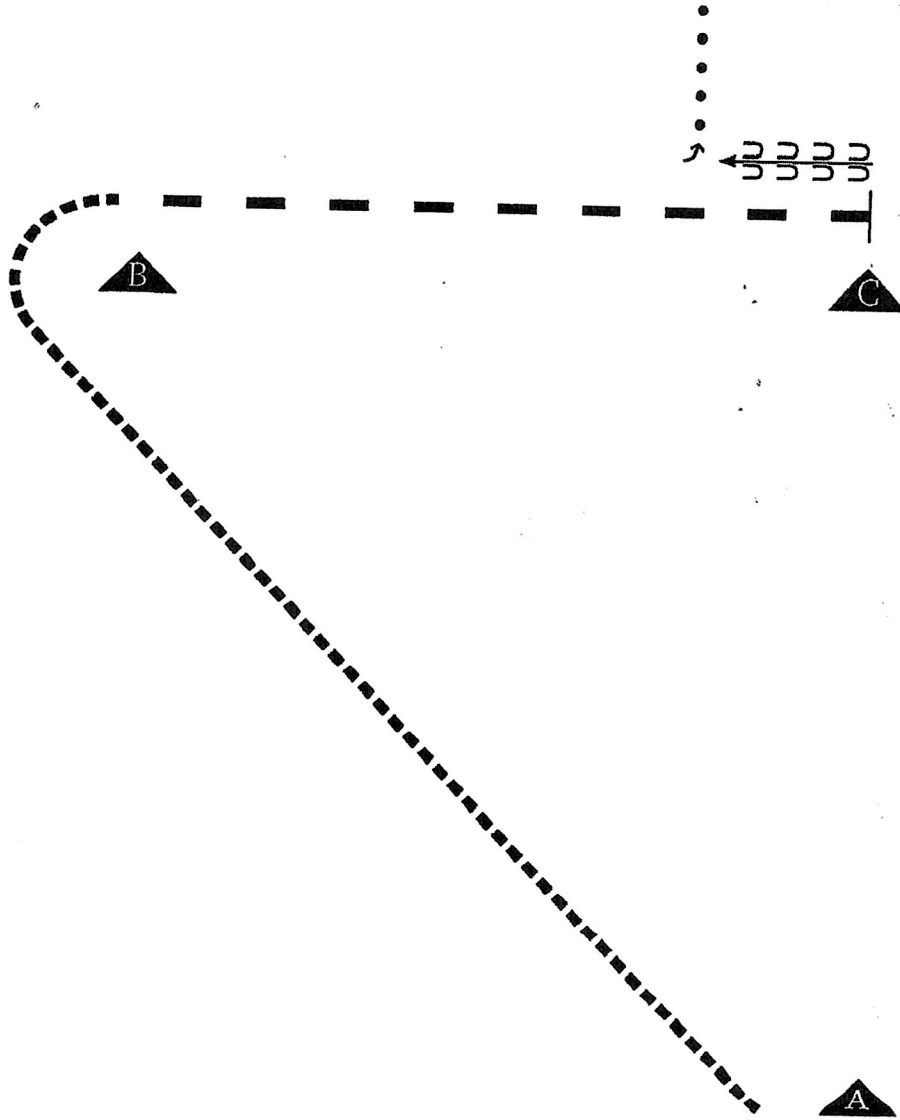
The Judges

# HORSEMANSHIP

WALK/TROT + SMALL-FRY

FRIDAY

7/5



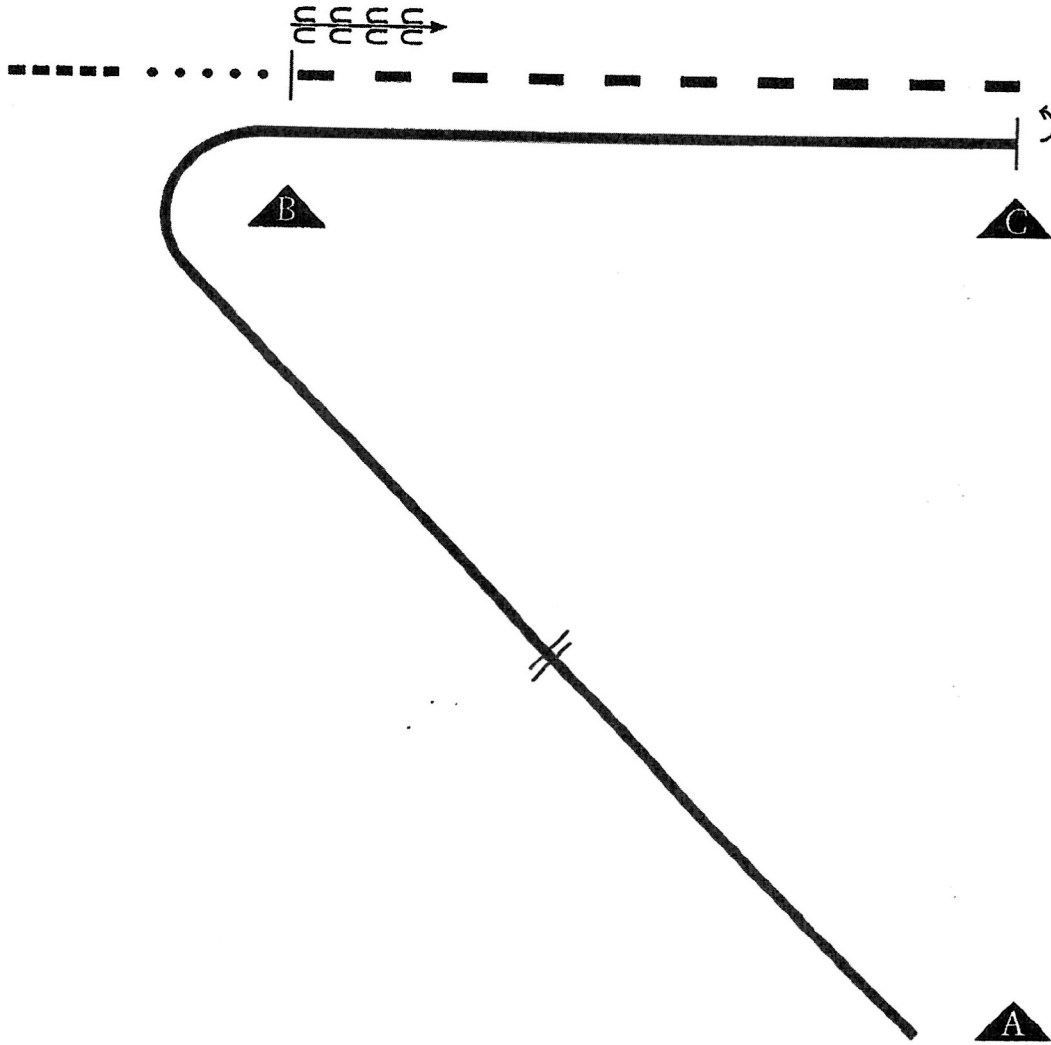
1. Be ready at A.
2. Jog around B.
3. Extended jog to C.
4. Stop and back.
5. 90° turn left.
6. Exit at walk.

.....	Walk
-----	Jog
- - - - -	Extended Jog
← 3 3 3 3	Back
▲ A	Cone

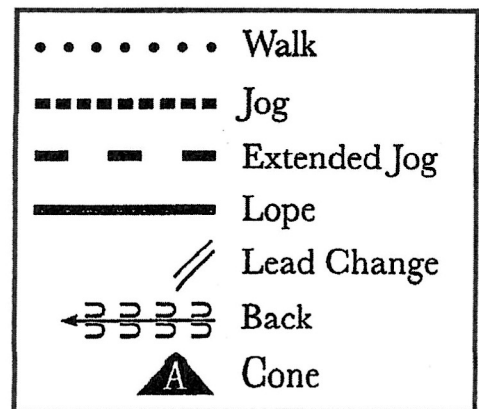
# HORSEMANSHIP

L-1 NOVICE + ROOKIE  
AMATEUR + Youth

FRIDAY  
7/5

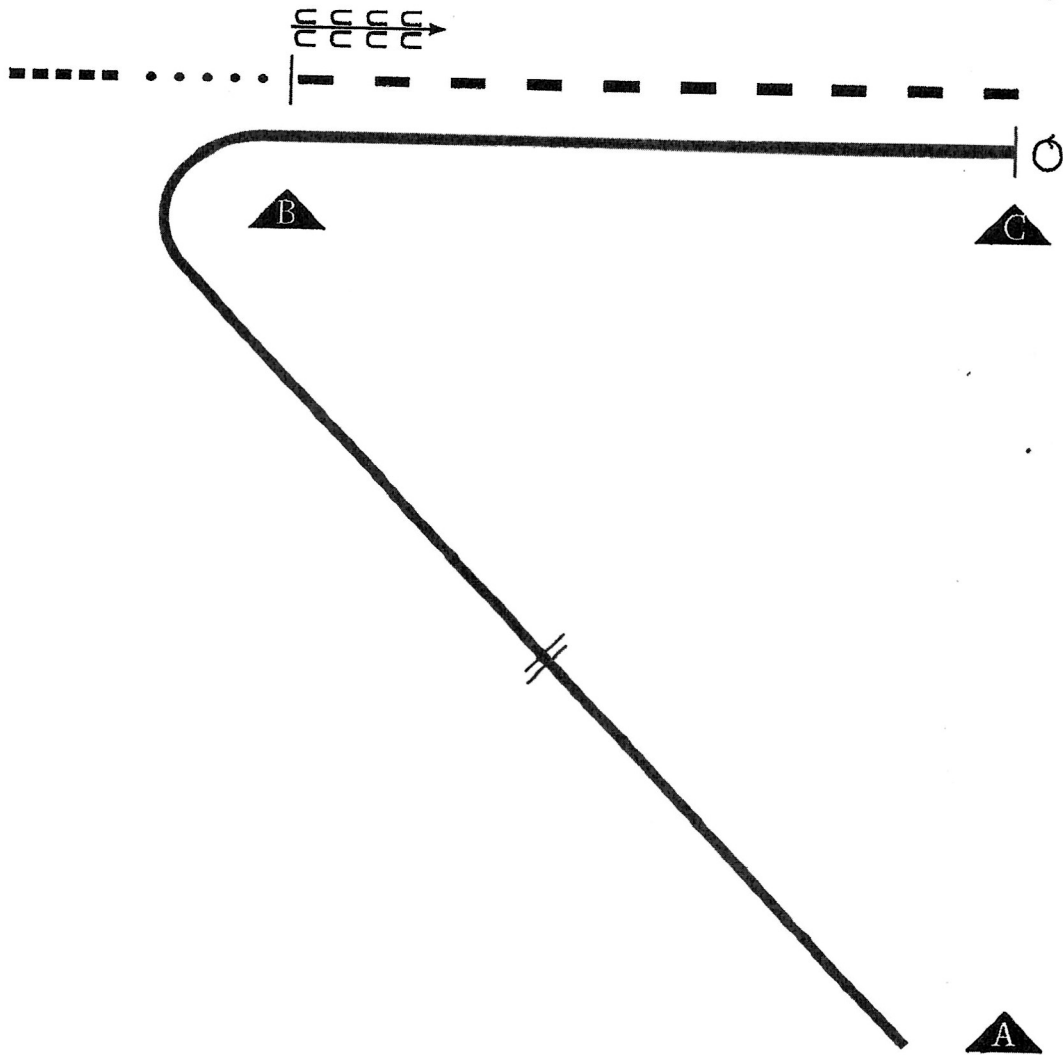


1. Lope left lead.
2. Change lead halfway between A and B.
3. Lope right lead with speed around B and continue to C.
4. Stop and perform a 180° turn to the left.
5. Extended jog to B.
6. Stop and back.
7. Walk five steps.
8. Exit at jog.

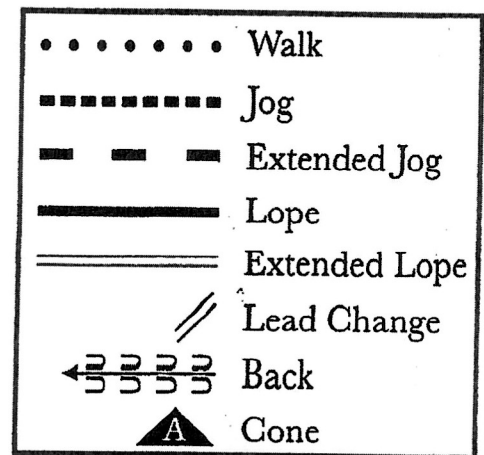


# HORSEMANSHIP

Youth-AMATEUR-SELECT FRIDAY  
715



1. Lope right lead as shown.
2. Change lead halfway between A and B.
3. Lope left lead with speed around B and continue to C.
4. Stop and perform a  $540^\circ$  turn to the left.
5. Extended jog to B.
6. Stop and back.
7. Walk five steps.
8. Exit at jog.



WVQHA

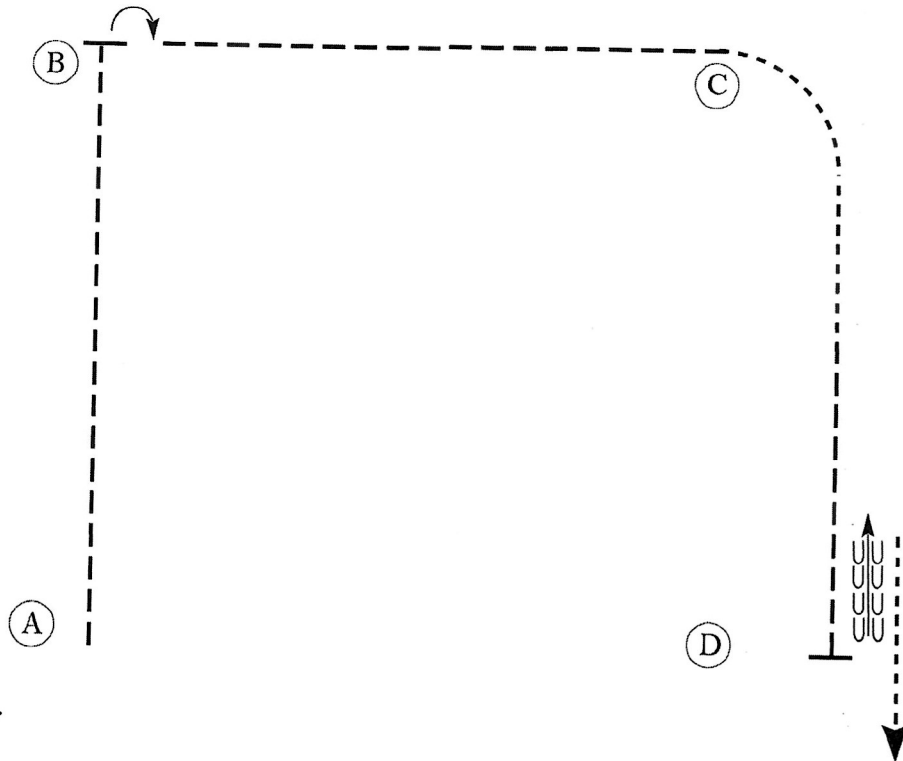
FRIDAY  
7/5

Hunt Seat Equitation (Small Fry and ALL WALK TROT)

Show Date:

www.HorseShowPatterns.com

www.HorseShowPatterns.com



Be ready at A.

1. Posting trot on the left diagonal to B.
2. Stop at B and execute a 90 degree turn on the haunches to the right.
3. Posting trot on the right diagonal to C.
4. At C, drop to a walk and walk halfway to D.
5. Sitting trot to D.
6. Stop at D and back approximately one horse length.
7. Walk forward to and past D.

Follow the instructions of your ring steward.

Walk	-----
Trot	- - - - -
Extended Trot	-----
Canter	=====
Leg Yield	
Lead Change	—/—
Back	←←←←←
Marker	(B)
Sidepass	←-----→
Hand Gallop	-----

[HSE/WT-43]

Pattern Provided by:

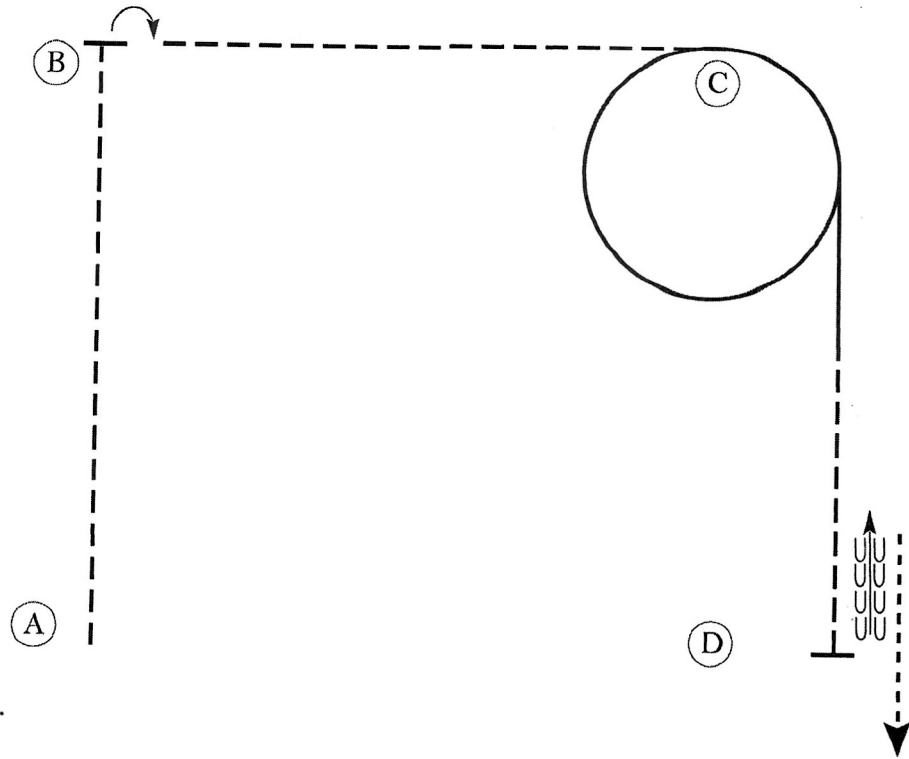
Your Judges



Show Date:

www.HorseShowPatterns.com

www.HorseShowPatterns.com



Be ready at A.

1. Sitting trot to B.
2. Stop at B and execute a 90 degree turn on the haunches to the right.
3. Posting trot on the right diagonal to C.
4. Canter on the right lead in a circle around C.
5. Continue on the right lead halfway to D.
6. Posting trot on the left diagonal to D.
7. Stop at D and back approximately one horse length.
8. Walk forward to and past D.

Follow the instructions of your ring steward.

Walk	-----
Trot	- - - - -
Extended Trot	-----
Canter	-----
Leg Yield	
Lead Change	↘ ↙
Back	← ← ←
Marker	(B)
Sidepass	← ← ←
Hand Gallop	-----

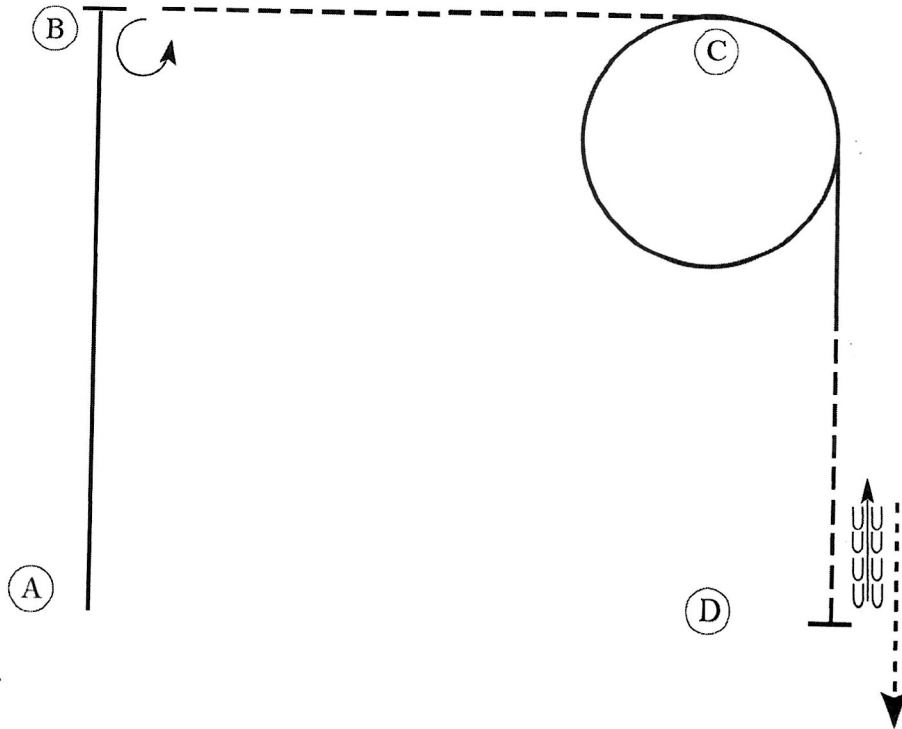
[HSE/1-43]

**Pattern Provided by:**  
*Your Judges*

Show Date:

W W W . H o r s e S h o w P a t t e r n s . c o m

W W W . H o r s e S h o w P a t t e r n s . c o m



Be ready at A.

1. Canter on the left lead to B.
2. Stop at B and execute a 270 degree turn on the haunches to the left.
3. Posting trot on the right diagonal to C.
4. Canter on the right lead in a circle around C.
5. Continue on the right lead halfway to D.
6. Posting trot on the left diagonal to D.
7. Stop at D and back approximately one horse length.
8. Walk forward to and past D.

Follow the instructions of your ring steward.

Walk	-----
Trot	- - - - -
Extended Trot	=====
Canter	—————
Leg Yield	
Lead Change	—/—
Back	←←←←← ←←←←←
Marker	⊙ B
Sidepass	←-----→
Hand Gallop	—————

[HSE/2-43]

Pattern Provided by:  
*Your Judges*

# WVQHA

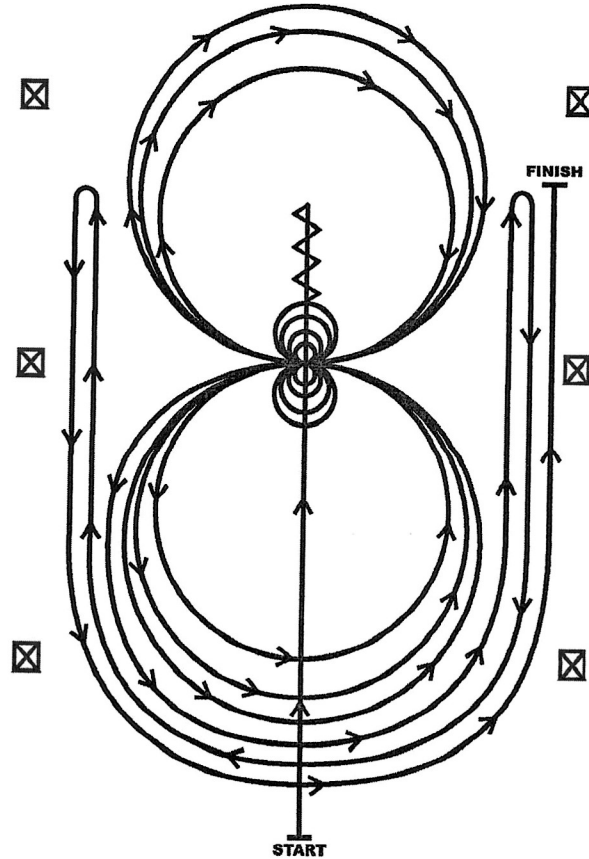
# FRIDAY

## Reining ALL

# 7/5

Show Date:

### REINING PATTERN 12



1. Run past the center marker and do a sliding stop. Back up to the center of the arena or at least 10 feet (3 meters). Hesitate.
2. Complete four spins to the right. Hesitate.
3. Complete four and one-quarter spins to the left so that the horse is facing the left wall or fence. Hesitate.
4. Beginning on the left lead, complete three circles to the left: the first two circles large and fast; the third circle small and slow. Change leads at the center of the arena.
5. Complete three circles to the right: the first two circles large and fast; the third circle small and slow. Change leads at the center for the arena.
6. Begin a large circle to the left but do not close this circle. Run up the right side of the arena past the center marker and do a right rollback at least 20 feet (6 meters) from the wall or fence—no hesitation.
7. Continue back around previous circle but do not close this circle. Run up the left side of the arena and past the center marker and do a left rollback at least 20 feet (6 meters) from the wall or fence—no hesitation.
8. Continue back around previous circle but do not close this circle. Run up the right side of the arena past the center marker and do a sliding stop at least 20 feet (6 meters) from the wall or fence. Hesitate to demonstrate completion of pattern.

www.HorseShowPatterns.com

www.HorseShowPatterns.com

[R/AQHAP-12]

Pattern Provided by:

*Your Judges*

# RANCH RIDING - PATTERN 4

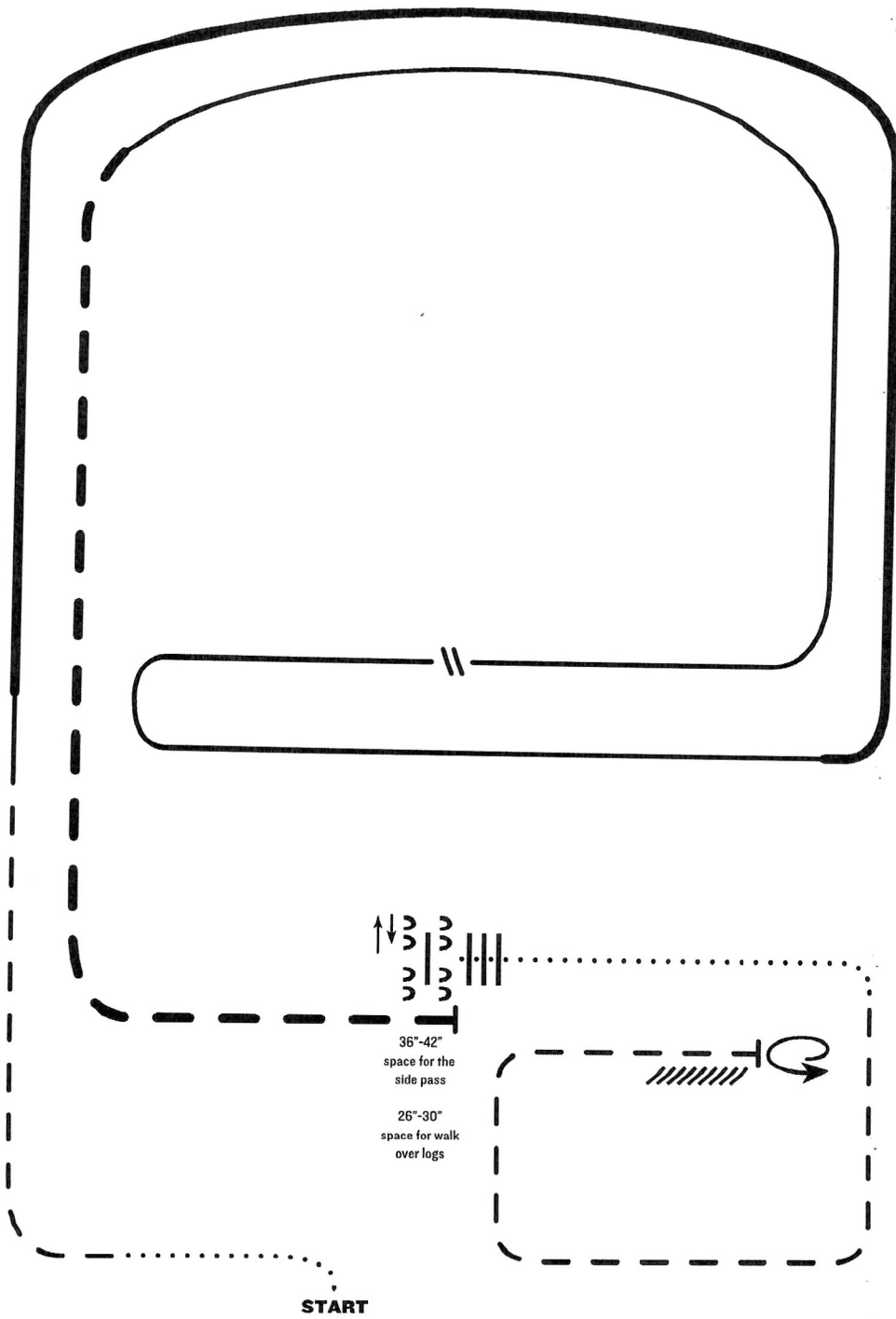
ALL

FRIDAY

715

## LEGEND

.....	Walk
...	Extended Walk
- - -	Trot
- - -	Extended Trot
— — —	Lope
— — —	Extended Lope
//////	Back
	Lead Change



1. Walk
2. Trot
3. Extended lope right lead
4. Lope right lead
5. Change leads (simple or flying)
6. Lope left lead
7. Extended trot
8. Stop, side pass left, side pass right, 1/2 way
9. Walk over logs
10. Walk
11. Trot square
12. Stop, 360° turn left, and back

Note: The drawn description of this pattern is only intended for the general depiction of the pattern. Exhibitors should utilize the arena space to best exhibit their horses.