



GR03G

### 3 COMPARTMENT FLOOR BOX & ACCESSORIES

TRIM COLOUR	LIST No
Grey	<b>GR03G</b>

- The most popular size of raised access floor box for use in commercial office applications where power, voice and data services are required.
- Utilises 87mm wide accessory plates.

For Floor Box Dimensions See page 129.



GB3SRCD30/BG GB3SSN2/BG

### SWITCHED 13A SOCKETS

	LIST No
13A 2 Gang switched socket TWIN EARTH	<b>GB3SS2/BG</b>
13A 2 Gang switched socket CLEAN EARTH	<b>GB3SS2CE/BG</b>
13A 2 Gang switched socket NON-STD TWIN EARTH	<b>GB3SSN2/BG</b>
13A 2 Gang switched socket NON-STD CLEAN EARTH	<b>GB3SSN2CE/BG</b>
13A 2 Gang switched safety socket 30mA	<b>GB3SRCD30/BG</b>

- Clean Earth has a normal and an isolated earth.

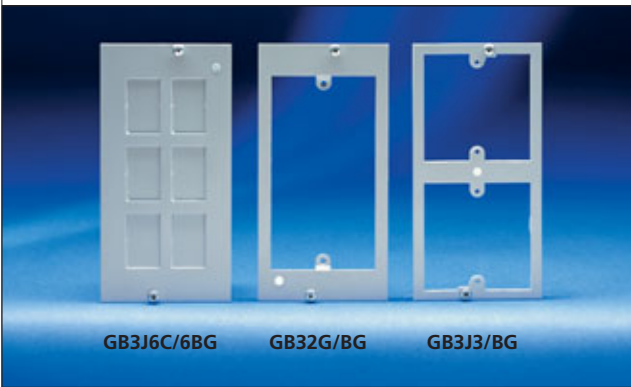


GB3S2/BG GB3SN2/BG

### UNSWITCHED 13A SOCKETS

	LIST No
13A 2 Gang unswitched socket TWIN EARTH	<b>GB3S2/BG</b>
13A 2 Gang unswitched socket CLEAN EARTH	<b>GB3S2CE/BG</b>
13A 2 Gang unswitched socket NON-STD	<b>GB3SN2/BG</b>

- Clean Earth has a normal and an isolated earth.



GB3J6C/6BG GB3J6C/6BG GB3J3/BG

### DATA AND COMMUNICATIONS

	LIST No
Accessory plate 4 knockout LJU6C/RJ45	<b>GB3J6C/BG</b>
Accessory plate to accept 6x LJU6C/RJ45	<b>GB3J6C/6BG</b>
Accessory plate to accept 2x 1G standard accessory	<b>GB3J3/BG</b>
Accessory plate to accept 2G standard accessory	<b>GB32G/BG</b>
Blank plate	<b>GB3BP/BG</b>
Accessory plate to accept 4x Alpha	<b>GB3ALPHA/BG</b>
Accessory plate to accept 2x Euro module (Will accept 4x Crabtree communication modules 25mm x 50mm).	<b>GB3EURO/BG</b>

- All plates 87mm x 173mm.
- All accessory plates are supplied with fixing screws.



GB3ALPHA/BG GB3EURO/BG



**GR04G**

#### 4 COMPARTMENT FLOOR BOX & ACCESORIES

TRIM COLOUR	LIST No
Grey	<b>GR04G</b>

- Compact 4 compartment unit - utilises 66mm wide accessories.
- 4 compartment units can provide an attractive and economical solution for applications, where power, voice and data systems are to be accessed, particularly where both clean and utility power outlets are required or where more than one type of data system is required.

For Floor Box Dimensions See pages 128 & 129.



**GBSS2/BG GBSSN2/BG**

#### SWITCHED 13A SOCKETS

	LIST No
13A 2 Gang switched socket TWIN EARTH	<b>GBSS2/BG</b>
13A 2 Gang switched socket CLEAN EARTH	<b>GBSS2CE/BG</b>
13A 2 Gang switched socket NON-STD TWIN EARTH	<b>GBSSN2/BG</b>
13A 2 Gang switched socket NON-STD CLEAN EARTH	<b>GBSSN2CE/BG</b>

- Power sockets supplied with rear entry terminals as standard.
- Clean earth have a normal and an isolated earth.
- Only two 13A 2 gang Sockets can be fitted per Floor Box, in centre compartment only.



**GBJ6C/BG GBBP/BG**

#### DATA AND COMMUNICATIONS

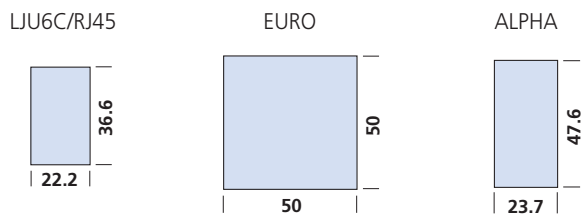
	LIST No
Plate to accept 4 LJU6C voice or 4 RJ45 data outlets	<b>GBJ6C/BG</b>
Blank plate for on-site piercing	<b>GBBP/BG</b>
Plate to accept 4x Alpha	<b>GBALPHA/BG</b>
Plate to accept 2x Euro modules (Will accept 4x Crabtree communication modules 25mm x 50mm).	<b>GBEURO/BG</b>

- All plates 66mm x 173mm.
  - All accessory plates are supplied with fixing screws.
- 13A accessory plates are supplied with the appropriate interior fitted.*



**GBEURO/BG GBALPHA/BG**

#### KNOCKOUT DIMENSIONS



**BRITMAC FLOOR DISTRIBUTION SYSTEMS**

**Materials**

All systems are constructed from high quality materials and are designed to meet relevant British and International Standards including the installation requirements of the IEE Wiring Regulations.

**Raised Access Floors**

Throughout this catalogue the term Raised Access Floor has been used to describe any modular flooring system which is supported on adjustable pedestals providing a service void. Other names frequently used are Cavity Floor, False Floor, Platform Floor, Access Floor, Computer Floor, etc.

**GROSVENOR RAISED ACCESS FLOOR BOXES**

**Floorboxes**

The Grosvenor floorbox has been designed to withstand working loads of the PSA MOB PF2 PS/SPU specification for raised floors. The floorboxes listed within this catalogue are capable of accepting a very wide range of accessories fitted in any compartment. However, certain combinations do impose restrictions on positioning, due to the clashes of connectors, plug tops or the cables themselves.

**Accessories**

All accessory plates are supplied complete with the appropriate thread cutting screws. Each fixing hole in the unit frames is unthreaded and deep plunged for ease of location of fixing.

The minimum plug clearance between accessory plate and underside of floor is 34mm.

**POWER (13A)**

- Twin Earth sockets.
- Non-standard sockets.
- Clean Earth sockets.

**TELEPHONE**

Components for most British Telecom, Mercury and other national and international systems.

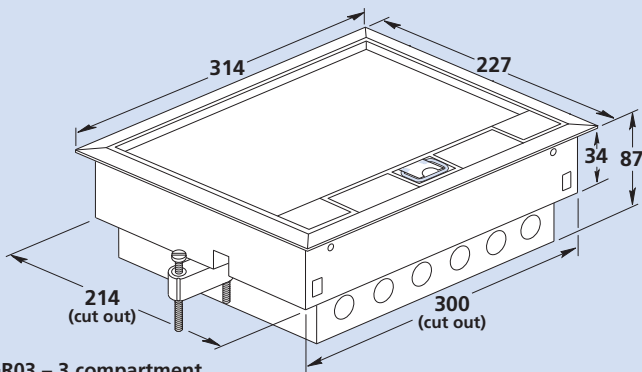
**DATA**

A wide range of components to suit virtually all systems in current use. These include IBM, Wang, Phillips, ICL and many others.

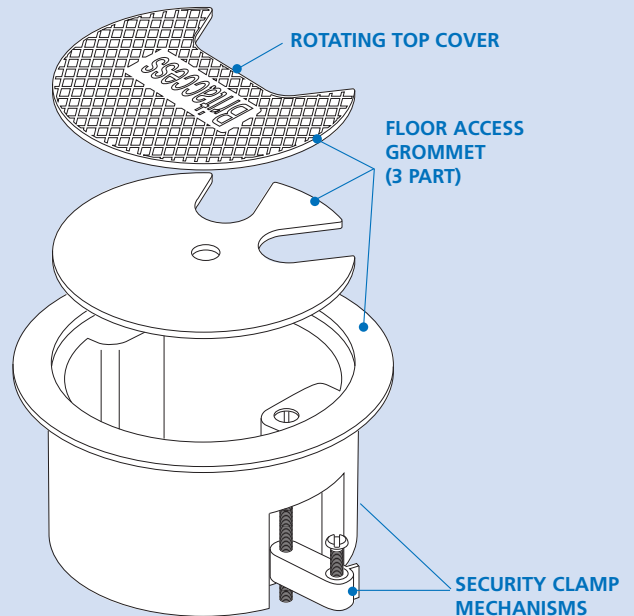
*All dimensions in mm Tolerance on cut-out dimensions is ±1mm*



**GROSVENOR 'FAST FIT' RAISED ACCESS FLOOR BOXES**



**GR03 – 3 compartment  
GR04 – 4 compartment**



**SPECIFICATION**

**Top Element (Grommet Only)**

**Dimensions:**

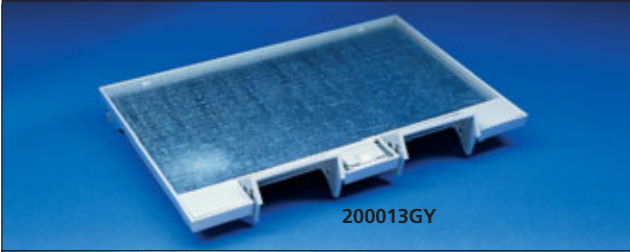
O/A Diameter    150mm

Internal Diameter    120mm

Depth    65mm

**Material:**    High Impact ABS

**Colour:**    RAL 7016



200013GY



98950-1/A/2



98347-1/A/2



98351-1/H/1



98496-2/E/1

**CURRENT RANGE**

**GROSVENOR LID REPLACEMENT 3 & 4 GANG**

Lid assembly, Grey	<b>200013GY</b>
--------------------	-----------------

**GROSVENOR SPARES**

Trim piece (plain), Grey	<b>98950-1/A/2</b>
--------------------------	--------------------

Trim piece (handle), Grey - Complete	<b>98347-1/A/2</b>
--------------------------------------	--------------------

Cable flap, Grey	<b>98351-1/H/1</b>
------------------	--------------------

Cable retainer, Black	<b>98496-2/E/1</b>
-----------------------	--------------------



**FLOOR GROMMET**

In the modern office environment where flexibility is vital, the BRITACCESS floor grommet can accommodate most requirements for accessing cables on flexible conduits up to cable managed desks etc.

If the requirement is for a basic access point the top element will satisfy that need. To allow a desk module to pass through from a floor void whether it be a 3 core flexible cable or a flexible conduit, the BRITACCESS grommet is suitable for the job.

**FLOOR ACCESS GROMMET**

Top Grommet Only	<b>BAG150</b>
------------------	---------------

Floor Grommet c/w Switched 1G Socket & Back box	<b>BAGSS</b>
---	--------------

