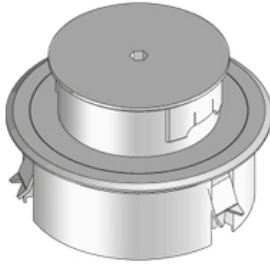


BODO NL

Single-outlet, wet-cleaned, round, empty



Round single outlet with floor cover protection frame. Including pivotable tube, turnable cable outlet, cover, claw set and rubber seal. For the installation in screed and raised floor openings or in hollow floor openings. Suitable for rooms with dry and wet-cleaned floor covers. Designed for high traffic loads.

Please mind the technical information in chapter planning.



material	Tube, cover and tube collet: aluminium or stainless steel / frame: plastic material
type of assembly	Fixing on floor box UBDHB / rough concrete floor and installation in screed or false floor
application area	wet floor cleaning
norm	according to DIN EN 50085
permits	according to VDE / TÜV
protection class	in use IP 22 / in use with rubber sleeve UGM1-3 IP 43 / not in use IP 66
loading	including inspection stamp Ø 130 mm: 15 kN

Aluminium

Product	H	H _{min}	B	E	P _{max}	colour	IP _n	IP _g	G
BODO NL	83 mm	48 mm	140 mm	122 mm	15 kN	aluminum	IP 66	IP 43	0.48 kg
BODO NL-SW	83 mm	48 mm	140 mm	122 mm	15 kN	black	IP 66	IP 43	0.48 kg
BODO NL-CR	83 mm	48 mm	140 mm	122 mm	15 kN	chrome	IP 66	IP 43	0.48 kg

Brass

Product	H	H _{min}	B	E	P _{max}	colour	IP _n	IP _g	G
BODO NL-MMS	83 mm	48 mm	140 mm	122 mm	15 kN	brass, solid	IP 66	IP 43	0.48 kg



Stainless steel, according to ASTM 304 / BS 304 S 3

Product	H	H _{min}	B	E	P _{max}	colour	IP _n	IP _g	G
BODO NL-E	83 mm	48 mm	140 mm	122 mm	15 kN	Stainless steel, solid	IP 66	IP 43	1.32 kg

H : height

H_{min} : Minimum installation height

B : width

E : fitting dimension

P_{max} : Maximum load

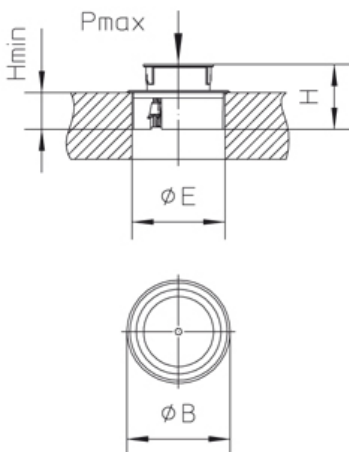
colour :

IP_n : IP protection level in unused condition

IP_g : IP protection level in used condition

G : weight

DETAILS / APPLICATIONS



wet-cleaned

