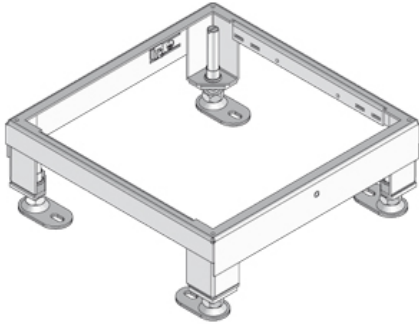


UNE

levelling unit dummy, triple, quadrangular



Quadrangular levelling device made of a Sendzimir galvanized steel sheet frame, with internal levelling device including levelling bases and grounding clamp. For mounting into floor boxes, mounting covers and hollow- or raised floor openings in connection with high-grade steel cartridges. For heavy traffic loads.

material	sheet steel, hot-dip galvanized
type of assembly	Assembly on floor box UBDHB / rough concrete ceiling
application area	Sub construction of quadrangular high-grade steel cartridges
norm	according to DIN EN 50085
permits	according to VDE / TÜV

Continuously hot galvanized (Sendzimir process) (DIN EN 10346)

Product	H _{min}	N	B	L	E	P _{max}	G
UNE 260V-30S	65 mm	+ 25 mm	258 mm	258 mm	261 x 261 mm	20 kN	0.97 kg
UNE 260V-60S	90 mm	+ 45 mm	258 mm	258 mm	261 x 261 mm	20 kN	1.00 kg
UNE 260V-100S	135 mm	+ 45 mm	258 mm	258 mm	261 x 261 mm	20 kN	1.04 kg
UNE 260V-155S	155 mm	+ 95 mm	258 mm	258 mm	261 x 261 mm	10 kN	1.10 kg
UNE 260V-210S	212 mm	+ 100 mm	258 mm	258 mm	261 x 261 mm	10 kN	2.03 kg

H_{min} : Minimum installation height

N : levelling range

B : width

L : length

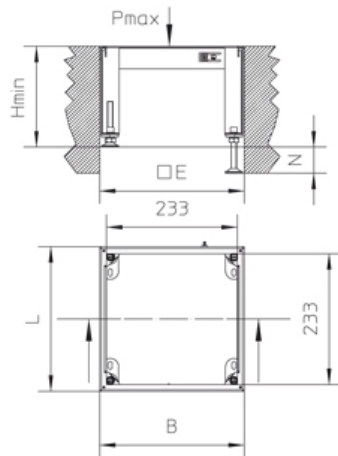
E : fitting dimension

P_{max} : Maximum load

G : weight



DETAILS / APPLICATIONS



OPTIONAL ACCESSORIES

UGEAV, UGE VE, UGM SLF

