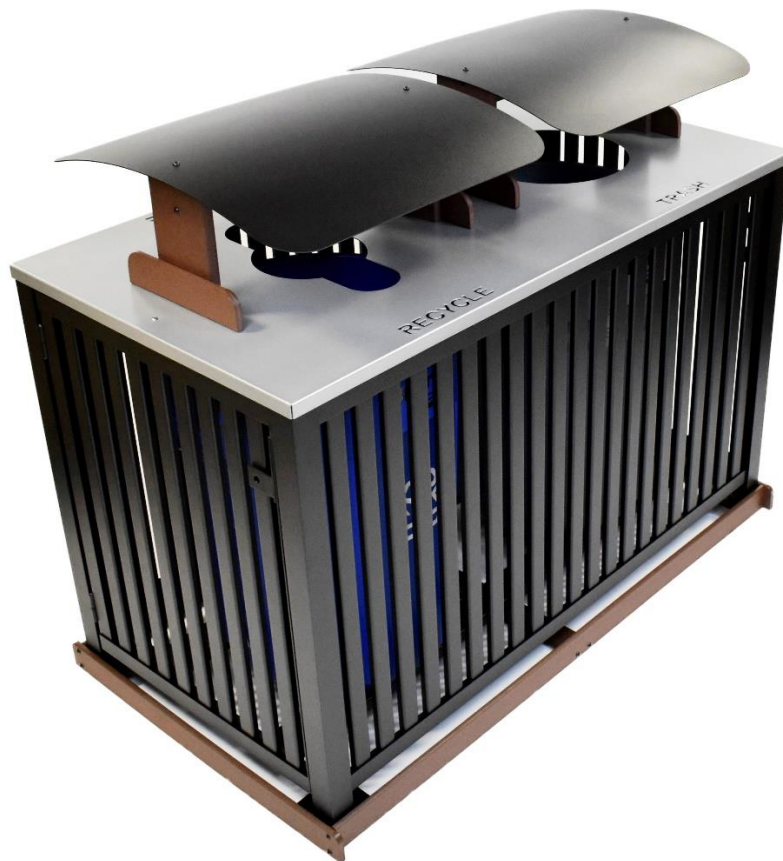




Installation Guide

Classic 32 Aluminum Dual Stream Waste Receptacle

Part Number: 50100



Recommended Tools:

(1ea.) Utility Knife



(1ea.) Level



(2ea.) 10 Inch Adjustable Wrench

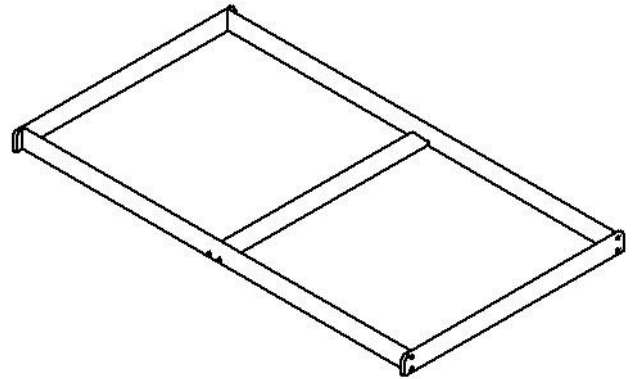


Installation Process:

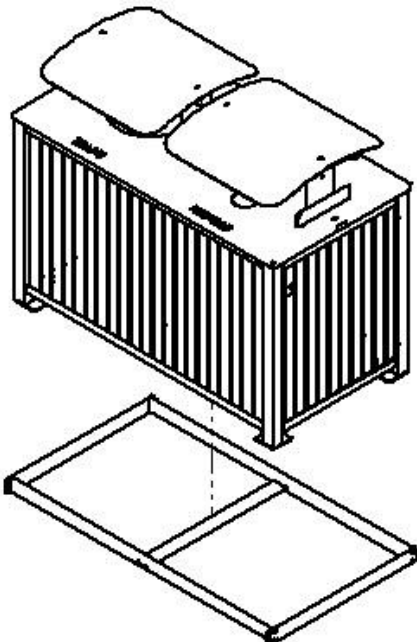
1 - Use a utility knife to unpack the receptacle.



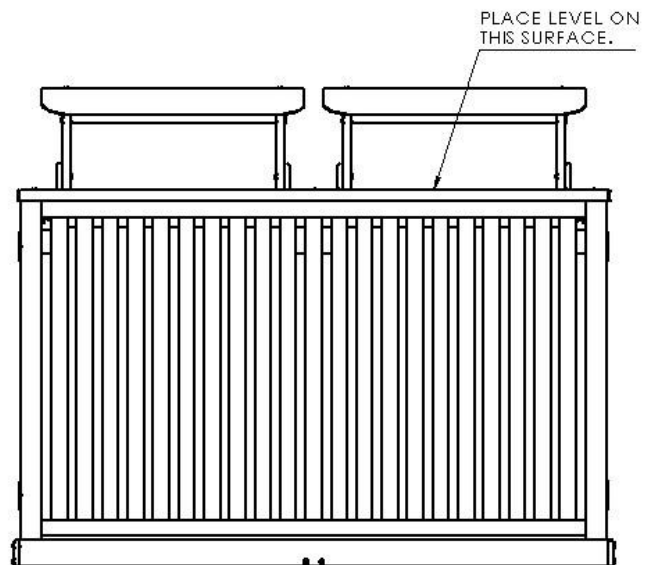
2 - Place the Ground Finishing Bezel on the desired location surface.



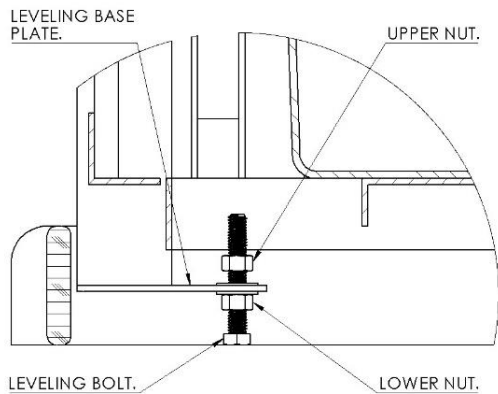
3 - Place the fully assembled receptacle on top of and inside the Ground Finishing Bezel.



4 - Place level horizontally on the top cover of the receptacle.



5 – Use one adjustable wrench to hold the leveling bolt head. Use the second wrench to adjust the lower four nuts until the receptacle is level. Tighten the upper nut securely.

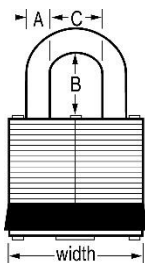


6 – Install poly trash bags in the plastic liner.



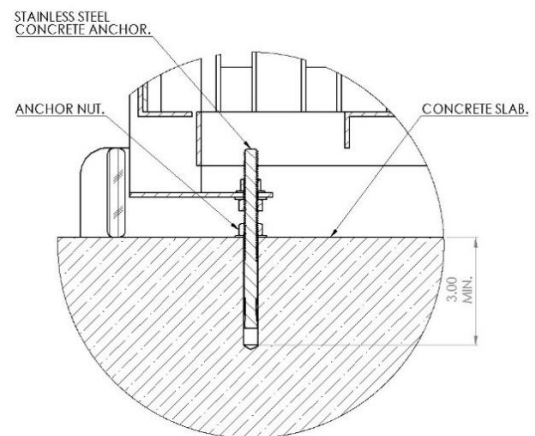
Optional Features:

1 – Door pad lock. (2 ea.)



Recommend: Master Lock 1D lock or equal.
A: 5/16" in. **B:** 15/16" in. **C:** 3/4" in.

2 – Surface mount anchoring. Replace the leveling bolt shown in step #5 with a concrete anchor as shown below.



Recommend: McMaster-Carr Part Number 92188A203 or equal stainless-steel concrete anchor.

Cleaning

1 – Wash the receptacle and plastic liners with liquid dish soap mixed with water. Rinse with clear water after washing.