

NEWPORT BRASS®



2023 PRICEBOOK

GINGER®

NEWPORT BRASS®

Flawless Beauty. From Faucet to Finish.™

GROUP I



26

POLISHED CHROME

01* FOREVER BRASS (PVD)
 03*** POLISHED BRASS COATED
 03N** UNCOATED POL. BRASS
 034 AGED BRASS
 04* SATIN BRASS (PVD)
 06 ANTIQUE BRASS
 07 ENGLISH BRONZE
 08A ANTIQUE COPPER

10* SATIN BRONZE (PVD)
 10B OIL RUBBED BRONZE
 VB VENETIAN BRONZE
 15 POLISHED NICKEL
 15A ANTIQUE NICKEL
 15S* SATIN NICKEL (PVD)
 20* STAINLESS STEEL (PVD)

24* POLISHED GOLD (PVD)
 24A* FRENCH GOLD (PVD)
 24S* SATIN GOLD (PVD)
 26 POLISHED CHROME
 30 MIDNIGHT CHROME
 52 MATTE WHITE
 56 FLAT BLACK

See finish care instructions at www.newportbrass.com

GROUP II



01

FOREVER BRASS* (PVD)



03N

LIVING
 UNCOATED POL. BRASS**



04

SATIN BRASS* (PVD)



06

ANTIQUÉ BRASS



07

ENGLISH BRONZE



10B

OIL RUBBED BRONZE



15

POLISHED NICKEL



15A

ANTIQUÉ NICKEL



15S

SATIN NICKEL* (PVD)



20

STAINLESS STEEL* (PVD)



30

MIDNIGHT CHROME



52

MATTE WHITE



56

FLAT BLACK

GROUP III



08A

ANTIQUÉ COPPER



10

SATIN BRONZE* (PVD)



24

POLISHED GOLD* (PVD)



24A

FRENCH GOLD* (PVD)



24S

SATIN GOLD* (PVD)



034

AGED BRASS



VB

VENETIAN BRONZE

BRASS PROTECH



98000

BRASS PROTECH IS EXCLUSIVELY MADE TO CLEAN, POLISH AND PROTECT NEWPORT BRASS AND BRASSTECH PRODUCTS.

*PVD NOT AVAILABLE ON ALL PARTS

**LIVING AND UNCOATED FINISHES ARE NOT WARRANTED

***AVAILABLE ON BRASSTECH SHUT OFF VALVES & RISER PRODUCTS ONLY

Numerical Index

KITCHEN

ADAMS	PG 22
CHESTERFIELD	PG 24
EAST LINEAR	PG 28
EAST SQUARE	PG 32
FAIRFIELD	PG 35
GAVIN	PG 37
HEANEY	PG 39
JACOBAN	PG 41
JETER	PG 44
METROPOLE	PG 46
MUNCY	PG 48
NADYA	PG 50
SEAGER	PG 51
STRIPLING	PG 53
TAFT	PG 55
VESPERA	PG 57
ZEMORA	PG 59
PREP/BAR FAUCETS	PG 61
POT FILLERS	PG 65
WATER DISPENSERS	PG 68
KITCHEN ACCESSORIES	PG 75

BATH

850	.SEAPORT	PG 252
890	.ALVESTON	PG 84
910/910C	.ASTOR	PG 95
920/920C	.ASTOR	PG 95
930	.CHESTERFIELD	PG 117
980	.AMISA	PG 90
990	.EAST LINEAR	PG 138
1000	.FAIRFIELD	PG 156
1020	.AMISA	PG 90
1030	.CHESTERFIELD	PG 117
1090	.ALEXANDRIA	PG 80
1200/1200C	.METROPOLE	PG 212
1220/1220C	.METROPOLE	PG 212
1230/1230C	.METROPOLE	PG 212
1400	.EAST SQUARE	PG 148
1500	.EAST LINEAR	PG 138
1600/1620	.MIRO	PG 221
1740	.BEVELLE	PG 112
1760/1770	.VICTORIA	PG 302
2040	.SECANT	PG 258
2060	.SECANT	PG 258
2400/ 2410	.AYLESBURY	PG 104
2420/ 2430	.AYLESBURY	PG 104
2440/ 2450	.SUTTON	PG 278
2460/ 2470	.JACOBAN	PG 174
2480	.PRIYA	PG 246
2490	.KEATON	PG 187

BATH

2540	.METRO	PG 205
2550	.ITHACA	PG 168
2560/2560C	.SKYLAR	PG 265
2570	.JOFFREY	PG 182
2910	.VANDER	PG 297
2920/2930	.SLATER	PG 272
2950/2960	.SLATER	PG 272
2940/2940C	.TAFT	PG 285
2970/2980	.DORRANCE	PG 132
2990/2990C	.SKYLAR	PG 265
3100/3110	.PAVANI	PG 240
3120	.KIRSI	PG 193
3140/3150	.MALVINA	PG 199
3230/3240	.PARDEES	PG 234
3250/3260	.CLEMENS	PG 126
3270/3280	.GRIFFEY	PG 162
3290/3300	.MUNCY	PG 228
3360/3370	.MUNCY	PG 228
3320/3320C	.TOLMIN	PG 290
3330/3330C	.TOLMIN	PG 290
3380/3390	.TOLMIN	PG 290
3400/3410	.TOLMIN	PG 290

TUB/SHOWER

BALANCE PRESSURE TRIM SETS	PG 357
BODY SPRAYS	PG 343
DECORATIVE DRAINS	PG 324
DIVERTER/FLOW CONTROL TRIM	PG 349
FREE STANDING TUB FILLERS	PG 321
HAND SHOWERS	PG 333
HAND SHOWER SETS	PG 335
SHOWER ARM/FLANGES	PG 329
SHOWERHEADS	PG 328
SHOWER PARTS	PG 340
SHOWER TRIM VALVES	PG 348
SLIDE BARS/SLIDE BARS	PG 337
WITH HANDSHOWERS	
TILE-IN DRAIN	PG 327
TUB SPOUTS	PG 344

SPECIALTY BATHROOM ACCESSORIES..... PG [356](#)

TANK LEVERS..... PG [361](#)

BRASSTECH..... PG [363](#)

NEWPORT BRASS PARTS PRICE LIST..... PG [379](#)

GINGER..... PG [391](#)

GINGER PARTS PRICE LIST..... PG [464](#)

NUMERICAL PARTS INDEX..... PG [472](#)

TERMS & CONDITIONS/WARRANTY..... PG [470](#)

ADAMS
PG 22



3170-5103

CHESTERFIELD
PG 24



1030-5103



9461

EAST LINEAR
PG 28



1500-5113



1500-5103

EAST SQUARE
PG 32



1400-5402



1400-5403

FAIRFIELD
PG 35



9456

GAVIN
PG 37



3210-5103

HEANEY
PG 39



3190-5113

NEWPORT BRASS®

Kitchen

JACOBEOAN

PG [41](#)



2470-5103

2470-5303

JETER

PG [44](#)



3200-5113

METROPOLE

PG [46](#)



1200-5103

MUNCY

PG [48](#)



3290-5113

NADYA

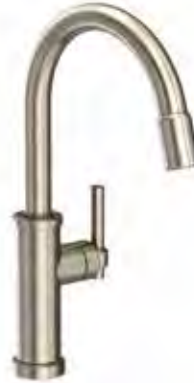
PG [50](#)



2510-5103

SEAGER

PG [51](#)



3180-5113

STRIPLING

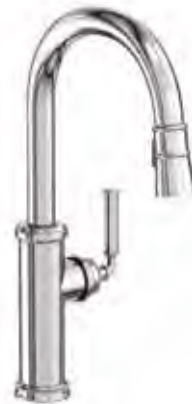
PG [53](#)



3310-5103

TAFT

PG [55](#)



2940-5103

VESPERA
PG [57](#)



2500-5123

ZEMORA
PG [59](#)



3160-5103

PREP/BAR FAUCETS
PG [61](#)



2940-5223

POT FILLERS
PG [65](#)



2940-5503

WATER DISPENSERS
PG [68](#)



1200-5603

KITCHEN ACCESSORIES
PG [75](#)



1030-5711

NEWPORT BRASS®

Kitchen

ALEXANDRIA

PG [80](#)



1090

ALVESTON

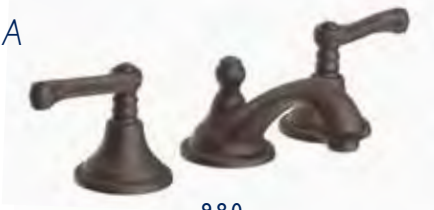
PG [84](#)



890

AMISA

PG [90](#)



980



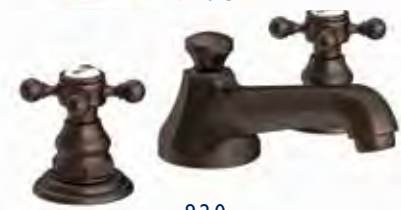
1020

ASTOR

PG [95](#)



910C



920

AYLESBURY

PG [104](#)



2410



2420

BEVELLE

PG [112](#)



1740

CHESTERFIELD

PG [117](#)



930



1030

NEWPORT BRASS®

Bath

CLEMENS

PG [126](#)



3250

3260

DORRANCE

PG [132](#)



2970



2980

EAST LINEAR

PG [138](#)



990

1500

EAST SQUARE

PG [148](#)



1400

FAIRFIELD

PG [156](#)



1000B

GRIFFEY

PG [162](#)



3270

3280

ITHACA

PG [168](#)



2550

JACOBAN

PG [174](#)



2460

2470

JOFFREY
PG 182



2570

KEATON
PG 187



2490

2493

KIRSI
PG 193



3120

MALVINA
PG 199



3140



3150

METRO
PG 205



2540

METROPOLE
PG 212



1220



1200

MIRO
PG 221



1600



1620

NEWPORT BRASS®

Bath

MUNCY

PG [228](#)



3290

NEW
3370

PARDEES

PG [234](#)



3230

3240

PAVANI

PG [240](#)



3100

3110

PRIYA

PG [246](#)



2403

2480

SEAPORT

PG [252](#)



850C

850

SECANT

PG [258](#)



2040

2043

2060

SKYLAR

PG [265](#)



2560

2563

NEW
2990C

SLATER

PG [272](#)



2920

NEW
2930

SUTTON

PG [278](#)



2440



2450

TAFT

PG [285](#)



2940



2940C

TOLMIN

PG [291](#)



3320



NEW

3390

VANDER

PG [297](#)



2910

VICTORIA

PG [302](#)



1760



1770

NEWPORT BRASS®

Bath

FREESTANDING TUB FILLERS

PG [321](#)



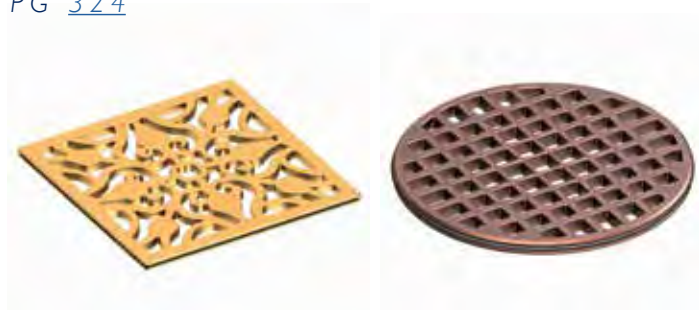
930-4261

1400-4261

2480-4261

DECORATIVE DRAINS

PG [324](#)



233-604

243-401

TILE-IN DRAINS

PG [327](#)



277-04

SHOWER ARMS/FLANGES

PG [329](#)



200

SHOWERHEADS

PG [328](#)



2159

HAND SHOWER

PG [333](#)



283-3

HAND SHOWER SETS

PG [335](#)



280N

SLIDE BAR/SLIDE BARS
WITH HANDSHOWERS

PG [337](#)



280E

SHOWER PARTS

PG [340](#)



297

BODY SPRAYS

PG [343](#)



2173

TUB SPOUTS

PG [344](#)



3-668

DIVERTER/FLOW
CONTROL TRIM

PG [349](#)



280E

SPECIALTY BATHROOM
ACCESSORIES

PG [356](#)



10-89

TANK LEVERS

PG [361](#)



NEWPORT BRASS.

Shower

BP TRIM SETS

PG [357](#)



3-922BP

3-924BP

BRASSTECH

PG [363](#)



GINGER

PG [391](#)



NWP PARTS & PRICE INDEX

PG [379](#)

P & P

GIN PARTS & PRICE INDEX

PG [464](#)

P & P



3190-5113/56X04

STANDARD SPLIT FINISH PROGRAM

HOW TO ORDER

STEP 1: Select model of choice and finish combination
STEP 2: Proper part number nomenclature for ordering purposes is
Base Part Number/Primary Finish X Accent Finish
Example: 3170-5103/26X01
See www.newportbrass.com for additional details

KITCHEN FAUCETS



Adams
3170-5103



Chesterfield
1030-5103



East Linear
1500-5103



East Linear
1500-5113



East Linear
1500-5123



East Linear
1500-5143



East Square
1400-5113



East Square
1400-5143



Gavin
3210-5103



Heaney
3190-5113



Jacobean
2470-5103



Jeter
3200-5113



Metropole
1200-5103



Muncy
3290-5113



Muncy
3290-5143



Muncy
3360-5113



Nadya
2510-5103



Seager
3180-5113



Stripling
3310-5103



Taft
2940-5103



Taft
2940-5123



Vespera
2500-5123



Zemora
3160-5103

WIDESPREAD FAUCETS



Alexandria
1090



Alveston
890



Amisa
980



Amisa
1020

STANDARD SPLIT FINISH PROGRAM



Astaire
1640



Astaire
1660



Astor
910



Astor
920



Astor
910C



Astor
920C



Aylesbury
2400



Aylesbury
2410



Aylesbury
2420



Aylesbury
2430



Bevelle
1740



Chesterfield
930



Chesterfield
1030



Clemens
3250



Clemens
3260



Dorrance
2970



Dorrance
2980



East Linear
990



East Linear
990L



East Linear
1500



East Square
1400



East Square
1400L



Fairfield
1000



Griffey
3270



Griffey
3280



Ithaca
2550



Jacobean
2460



Jacobean
2470



Joffrey
2570



Keaton
2490



Kirsi
3120



Kirsi
3130

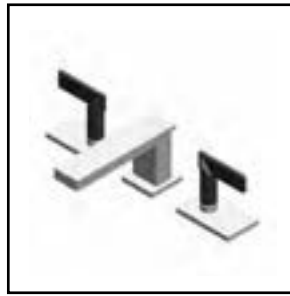
STANDARD SPLIT FINISH PROGRAM



Malvina
3140



Malvina
3150



Metro
2540



Metropole
1200



Metropole
1220



Metropole
1230



Metropole
1200C



Metropole
1220C



Metropole
1230C



Miro
1600



Miro
1620



Muncy
3290



Muncy
3300



Muncy
3360



Muncy
3370



Pardees
3230



Pardees
3240



Pavani
3100



Pavani
3110



Priya
2480



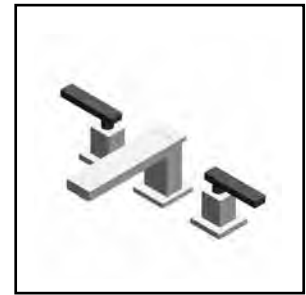
Seaport
850



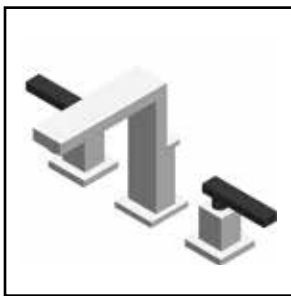
Secant
2040



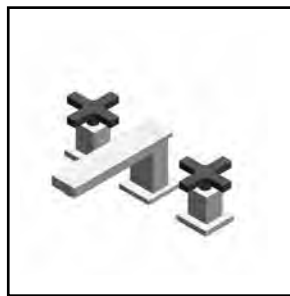
Secant
2060



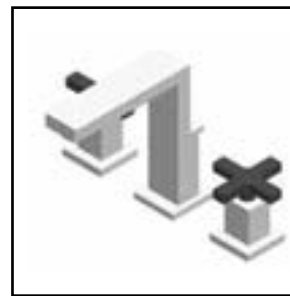
Skylar
2560



Skylar
2560C



Skylar
2990



Skylar
2990C



Slater
2920



Slater
2930



Slater
2950



Slater
2960



Sutton
2440

STANDARD SPLIT FINISH PROGRAM



Sutton
2450



Taft
2940



Taft
2940C



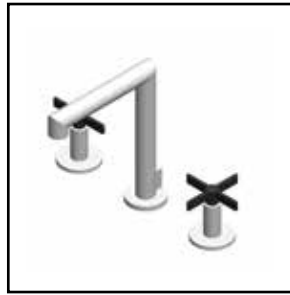
Tolmin
3320C



Tolmin
3330C



Tolmin
3380



Tolmin
3390



Tolmin
3400



Tolmin
3410



Vander
2910



Victoria
1760



Victoria
1770

ADAMS PG [22](#)

CHESTERFIELD PG [24](#)

EAST LINEAR PG [28](#)

EAST SQUARE PG [32](#)

FAIRFIELD PG [35](#)

GAVIN PG [37](#)

HEANEY PG [39](#)

JACOBAN PG [41](#)

JETER PG [44](#)

METROPOLE PG [46](#)

MUNCY PG [48](#)

NADYA PG [50](#)

SEAGER PG [51](#)

STRIPLING PG [53](#)

TAFT PG [55](#)

VESPERA PG [57](#)

ZEMORA PG [59](#)

PREP/BAR FAUCETS PG [61](#)

POT FILLERS PG [65](#)

WATER DISPENSERS PG [68](#)

KITCHEN ACCESSORIES PG [75](#)

NEWPORT BRASS®
Kitchen

ADAMS



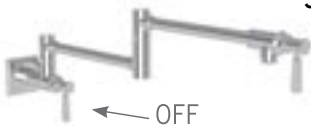
KITCHEN FAUCETS | PREP/BAR FAUCET



3170-5103 Pull-Down Kitchen Faucet \$1,242 \$1,499 \$1,730
 10.50" (26.7cm) spout height at outlet.
 8.57" (21.8cm) spout reach (c-c).
 17.53" overall height.
 1.8 gallons (6.8 liters) per minute maximum flow rate.



3170-5203 Prep/Bar Pull-Down Faucet \$1,161 \$1,398 \$1,629
 8.28" (21.0cm) spout height at outlet.
 7.47" (19.0 cm) spout reach (c-c).
 14.93" overall height.
 1.8 gallons (6.8 liters) per minute maximum flow rate.



3170-5503 Pot Filler - Wall Mount \$1,227 \$1,509 \$1,740
 4.37" (11.1cm) spout downward offset from wall inlet center.
 21.39" (54.3cm) pivoting spout reach from inlet valve (c-c).
 3.51" (8.9cm) pivoting inlet valve offset (wall-center).
 Two shut off valves. Twin knuckles.
 We recommend shutting off at marked location (OFF) when not in use.



3170-5603 Hot and Cold Water Dispenser \$713 \$864 \$986
 6.73" (17cm) spout height at outlet.
 4.74" (12.0 cm) spout reach (c-c).
 HOT WATER TANK #5-036 SOLD SEPARATELY.



3170-5623 Cold Water Dispenser \$511 \$647 \$746
 6.73" (17cm) spout height at outlet.
 4.74" (12.0cm) spout reach c-c.

6-028 Universal Traditional Air Gap, Reverse Osmosis \$184 \$216 \$228



3170-5613 Hot Water Dispenser \$628 \$793 \$916
 6.73" (17cm) spout height at outlet.
 4.74" (12.0cm) spout reach (c-c).
 HOT WATER TANK #5-036 SOLD SEPARATELY.



3180-5711 Air Gap Kit
IAPMO UPC® listed.

\$146 \$191 \$227



3170-5811 Soft Touch Air Activated Disposer Switch
Plugs into a standard 120 VAC wall outlet.
Traditional Style.

\$282 \$382 \$437



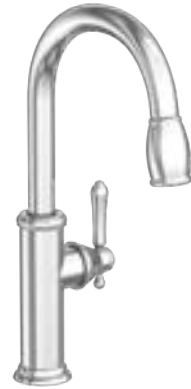
3170-5721 Soap/Lotion Dispenser
Requires 1-1/4" to 1-11/16" through hole.
Accommodates 2-3/8" maximum deck thickness.

\$295 \$382 \$437

20-373 Soap/Lotion Replacement Head
125-8 Soap/Lotion Pump
125-9 Soap/Lotion - Replacement Bottle

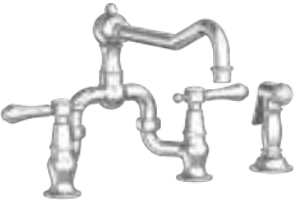







\$180 \$231 \$266
\$55 — —
\$4 — —

CHESTERFIELD



KITCHEN FAUCETS | PREP/BAR FAUCET

	<p>1030-5103 Pull-Down Kitchen Faucet 10.31" (26.2cm) spout height at outlet. 8.58" (21.8cm) spout reach (c-c) 17.43" overall height. 1.8 gallons (6.8 liters) per minute maximum flow rate</p>	\$1,219	\$1,472	\$1,699
	<p>942 Kitchen Faucet. Cross Handles. 5.83" (14.8cm) spout height at outlet. 9.46" (24.0 cm) spout reach (c-c). For 8" (20.3cm) centers - maximum 20" (50.8cm). 1.8 gallons (6.8 liters) per minute maximum flow rate.</p>	\$923	\$1,290	\$1,550
	<p>972 Kitchen Faucet. Lever Handles. 5.83" (14.8cm) spout height at outlet. 9.46" (24.0 cm) spout reach (c-c). For 8" (20.3cm) centers - maximum 20" (50.8cm). 1.8 gallons (6.8 liters) per minute maximum flow rate.</p>	\$923	\$1,290	\$1,550
	<p>943 Kitchen Faucet with Side Spray. Cross Handles. 5.56" (14.1cm) spout height at outlet. 9.49" (24.1cm) spout reach (c-c). For 8" (20.3cm) centers - maximum 20" (50.8cm). 1.8 gallons (6.8 liters) per minute maximum flow rate.</p>	\$1,284	\$1,791	\$2,149
	<p>973 Kitchen Faucet with Side Spray. Lever Handles. 5.56" (14.1cm) spout height at outlet. 9.49" (24.1cm) spout reach (c-c). For 8" (20.3cm) centers - maximum 20" (50.8cm). 1.8 gallons (6.8 liters) per minute maximum flow rate.</p>	\$1,284	\$1,791	\$2,149
	<p>9452-1 Kitchen Bridge Faucet with Side Spray Swivel spout. Cross Handles. 6.52" (16.6cm) spout height at outlet. 8.51" (21.6 cm) min. to 10.38" (26.4cm) spout reach (c-c). For 8" (20.3cm) centers - Maximum 9.62" (24.4cm). 1.8 gallons (6.8 liters) per minute maximum flow rate.</p>	\$1,805	\$2,126	\$2,552

	9453-1	Kitchen Bridge Faucet with Side Spray Swivel spout. Lever Handles. 6.52" (16.6cm) spout height at outlet. 8.51" (21.6 cm) min. to 10.38" (26.4cm) spout reach (c-c). For 8" (20.3cm) centers - Maximum 9.62" (24.4cm). 1.8 gallons (6.8 liters) per minute maximum flow rate.	\$1,805	\$2,126	\$2,552
	9457	Kitchen Bridge Faucet C-spout. Lever Handles. 9" (22.8cm) spout height at outlet. 9" (22.8cm) spout reach (c-c). For 8" (20.3cm) centers. 1.8 gallons (6.8 liters) per minute maximum flow rate.	\$1,318	\$1,778	\$2,042
	9458	Kitchen Bridge Faucet with Side Spray C-spout. Lever Handles. 9" (22.8cm) spout height at outlet. 9" (22.8cm) spout reach (c-c). For 8" (20.3cm) centers. 1.8 gallons (6.8 liters) per minute maximum flow rate.	\$1,973	\$2,621	\$3,061
	9459	Kitchen Bridge Faucet with Side Spray C-spout. Lever Handles. 9" (22.8cm) spout height at outlet. 7.12" (18.1cm) min to 9" (22.8cm) max spout reach (c-c). For 8" (20.3cm) centers - Maximum 9.62" (24.4cm). 1.8 gallons (6.8 liters) per minute maximum flow rate.	\$1,973	\$2,621	\$3,061
	9460	Kitchen Bridge Faucet with Side Spray C-spout. Cross Handles. 9" (22.8cm) spout height at outlet. 7.12" (18.1cm) min to 9" (22.8cm) max spout reach (c-c). For 8" (20.3cm) centers - Maximum 9.62" (24.4cm). 1.8 gallons (6.8 liters) per minute maximum flow rate.	\$1,973	\$2,621	\$3,061
	9461	Kitchen Bridge Faucet Swivel Spout. Lever Handles. 6.38" (16.2cm) spout height at outlet. 9.46" (24.0cm) spout reach (c-c). For 8" (20.3cm) centers. 1.8 gallons (6.8 liters) per minute maximum flow rate.	\$941	\$1,320	\$1,584
	9462	Kitchen Bridge Faucet with Side Spray Swivel Spout. Lever Handles. 6.38" (16.2cm) spout height at outlet. 9.46" (24.0cm) spout reach (c-c). For 8" (20.3cm) centers. 1.8 gallons (6.8 liters) per minute maximum flow rate.	\$1,709	\$2,014	\$2,415
	9463	Kitchen Bridge Faucet C-spout. Lever Handles. 9" (22.8cm) spout height at outlet. 7.12" (18.1cm) min to 9" (22.8cm) max spout reach (c-c). For 8" (20.3cm) centers - Maximum 9.62" (24.4cm). 1.8 gallons (6.8 liters) per minute maximum flow rate.	\$1,318	\$1,778	\$2,042



9464 Kitchen Bridge Faucet \$1,318 \$1,778 \$2,042
 C-spout. Cross Handles.
 9" (22.8cm) spout height at outlet.
 7.12" (18.1cm) min to 9" (22.8cm) max spout reach (c-c).
 For 8" (20.3cm) centers - Maximum 9.62" (24.4cm).
 1.8 gallons (6.8 liters) per minute maximum flow rate.

NEW



1030-5462 Kitchen Bridge Pull-Down Faucet \$1,480 \$1,998 \$2,297
 C-spout. Cross Handles.
 8.28" (21.0cm) spout height at outlet.
 8.58" (21.8cm) spout reach (c-c).
 For 8" (20.3cm) centers.
 1.8 gallons (6.8 liters) per minute maximum flow rate.

NEW



1030-5463 Kitchen Bridge Pull-Down Faucet \$1,480 \$1,998 \$2,297
 C-spout. Lever Handles.
 8.28" (21.0cm) spout height at outlet.
 8.58" (21.8cm) spout reach (c-c).
 For 8" (20.3cm) centers.
 1.8 gallons (6.8 liters) per minute maximum flow rate.



1030-5223 Prep/Bar Pull Down Faucet \$1,140 \$1,372 \$1,600
 8.18" (20.8cm) spout height at outlet.
 7.47" (19.0cm) spout reach (c-c).
 14.83" overall height.
 1.8 gallons (6.8 liters) per minute maximum flow rate.



928 Prep/Bar Faucet \$896 \$1,185 \$1,376
 8.37" (21.3cm) spout height at outlet.
 5.27" (13.4cm) spout reach (c-c).
 11.68" overall height.
 1.8 gallons (6.8 liters) per minute maximum flow rate.



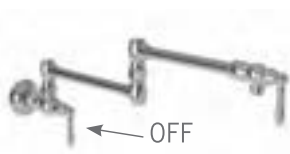
938 Prep/Bar Faucet \$943 \$1,248 \$1,450
 5.23" (13.3cm) spout height at outlet.
 6.95" (17.7cm) spout reach (c-c).
 7.97" overall height.
 1.8 gallons (6.8 liters) per minute maximum flow rate.



1038 Prep/Bar Faucet \$896 \$1,185 \$1,376
 10" (25.4cm) spout height at outlet.
 5.27" (13.4cm) spout reach (c-c).
 13.31" overall height.
 1.8 gallons (6.8 liters) per minute maximum flow rate.



9281 Prep/Bar Faucet \$896 \$1,185 \$1,376
 10" (25.4cm) spout height at outlet.
 5.27" (13.4cm) spout reach (c-c).
 13.31" overall height.
 1.8 gallons (6.8 liters) per minute maximum flow rate.



1030-5503 Pot Filler - Wall Mount \$1,227 \$1,509 \$1,740
 4.57" (11.6cm) spout downward offset from the wall inlet center.
 21.19" (53.8cm) pivoting spout reach from inlet valve (c-c).
 3.51" (8.9cm) pivoting inlet valve offset (wall-center).
 Two shut off valves. Twin knuckles.
 We recommend shutting off at marked location (OFF) when not in use.



1030-5603 Hot and Cold Water Dispenser \$713 \$864 \$986
 6.57" (16.7cm) spout height at outlet.
 4.8" (12.2cm) spout reach (c-c).
 HOT WATER TANK #5-036 SOLD SEPARATELY



1030-5623 Cold Water Dispenser \$511 \$647 \$746
 6.57" (16.7cm) spout height at outlet.
 4.8" (12.2cm) spout reach (c-c).



6-028 Universal Traditional Air Gap, Reverse Osmosis \$184 \$216 \$228



1030-5613 Hot Water Dispenser \$628 \$793 \$916
 6.57" (16.7cm) spout height at outlet.
 4.8" (12.2cm) spout reach (c-c).
 WATER TANK #5-036 SOLD SEPARATELY.



1030-5711 Air Gap Kit \$146 \$191 \$227
 IAPMO UPC® listed.



2470-5811 Soft Touch Air Activated Disposer Switch \$282 \$382 \$437
 Plugs into a standard 120 VAC wall outlet.
 Traditional Style



1030-5721 Soap/Lotion Dispenser \$295 \$382 \$437
 Requires 1-1/4" to 1-11/16" through hole.
 Accommodates 2-3/8" maximum deck thickness.









20-374 Soap/Lotion Replacement Head \$180 \$231 \$266
125-8 Soap/Lotion Pump \$55 — —
125-9 Soap/Lotion - Replacement Bottle \$4 — —

EAST LINEAR



PULL DOWN FAUCETS | KITCHEN FAUCETS | PREP/BAR FAUCETS

	<p>1500-5103 Pull-Down Kitchen Faucet Large Spray Head 9.15" (23.2cm) spout height at outlet. 8.58" (21.8cm) spout reach (c-c). 16.28" overall height. 1.8 gallons (6.8 liters) per minute maximum flow rate.</p>	\$1,129	\$1,426	\$1,646
	<p>1500-5113 Pull-Down Kitchen Faucet Small Spray Head. 9.60" (24.4cm) spout height at outlet. 8.52" (21.6cm) spout reach (c-c). 16.28" overall height. 1.8 gallons (6.8 liters) per minute maximum flow rate.</p>	\$1,129	\$1,426	\$1,646
	<p>1500-5123 Pull-Down Kitchen Faucet 2-hole install, separate single handle. 10.43" (26.5cm) spout height at outlet. 9.25" (23.5cm) spout reach (c-c) 16.59" overall height. 1.8 gallons (6.8 liters) per minute maximum flow rate.</p>	\$1,129	\$1,426	\$1,646
	<p>1500-5143 Pull-Down Kitchen Faucet Slim body. 10.06" (25.5cm) spout height at outlet. 8.52" (21.6cm) spout reach (c-c) 16.74" overall height. 1.8 gallons (6.8 liters) per minute maximum flow rate.</p>	\$1,129	\$1,426	\$1,646
	<p>1500-5402 Kitchen Bridge Faucet Cross Handles. 8.32" (21.1cm) spout height at outlet. 9.30" (23.6cm) spout reach (c-c). For 8" (20.3cm) centers. 1.8 gallons (6.8 liters) per minute maximum flow rate.</p>	\$1,449	\$1,955	\$2,246
	<p>1500-5412 Kitchen Bridge Faucet w/Side Spray Cross Handles. 8.32" (21.1cm) spout height at outlet. 9.30" (23.6cm) spout reach (c-c). For 8" (20.3cm) centers. 1.8 gallons (6.8 liters) per minute maximum flow rate.</p>	\$2,170	\$2,882	\$3,365

	1500-5403 Kitchen Bridge Faucet Lever Handles. 8.32" (21.1cm) spout height at outlet. 9.30" (23.6cm) spout reach (c-c). For 8" (20.3cm) centers. 1.8 gallons (6.8 liters) per minute maximum flow rate.	\$1,449	\$1,955	\$2,246
	1500-5413 Kitchen Bridge Faucet w/Side Spray Lever Handles. 8.32" (21.1cm) spout height at outlet. 9.30" (23.6cm) spout reach (c-c). For 8" (20.3cm) centers. 1.8 gallons (6.8 liters) per minute maximum flow rate.	\$2,170	\$2,882	\$3,365
NEW 	1500-5462 Kitchen Bridge Pull-Down Faucet Cross Handles. 10.01" (25.4cm) spout height at outlet. 8.52" (21.6cm) spout reach (c-c). For 8" (20.3cm) centers. 1.8 gallons (6.8 liters) per minute maximum flow rate.	\$1,480	\$1,998	\$2,297
NEW 	1500-5463 Kitchen Bridge Pull-Down Faucet Lever Handles. 10.01" (25.4cm) spout height at outlet. 8.52" (21.6cm) spout reach (c-c). For 8" (20.3cm) centers. 1.8 gallons (6.8 liters) per minute maximum flow rate.	\$1,480	\$1,998	\$2,297
	9901 Kitchen Faucet Cross Handles. Swivel spout. 5.70" (14.5cm) spout height at outlet. 7.88" (20.0cm) spout reach (c-c). For 8" (20.3cm) centers - maximum 20" (50.8cm). 1.8 gallons (6.8 liters) per minute maximum flow rate.	\$1,219	\$1,645	\$1,972
	9901L Kitchen Faucet Lever Handles. Swivel spout. 5.70" (14.5cm) spout height at outlet. 7.88" (20.0cm) spout reach (c-c). For 8" (20.3cm) centers - maximum 20" (50.8cm). 1.8 gallons (6.8 liters) per minute maximum flow rate.	\$1,219	\$1,645	\$1,972
	9911 Kitchen Faucet with Side Spray Cross Handles. Swivel spout. 5.70" (14.5cm) spout height at outlet. 7.88" (20.0cm) spout reach (c-c). For 8" (20.3cm) centers - maximum 20" (50.8cm). 1.8 gallons (6.8 liters) per minute maximum flow rate.	\$1,576	\$2,126	\$2,552
	9911L Kitchen Faucet with Side Spray Lever Handles. Swivel spout. 5.70" (14.5cm) spout height at outlet. 7.88" (20.0cm) spout reach (c-c). For 8" (20.3cm) centers - maximum 20" (50.8cm). 1.8 gallons (6.8 liters) per minute maximum flow rate.	\$1,576	\$2,126	\$2,552

	1500-5203	Prep/Bar Faucet 7.01" (17.8cm) spout height at outlet. 7.47" (19.0cm) spout reach (c-c). 13.66" overall height. 1.8 gallons (6.8 liters) per minute maximum flow rate.	\$1,058	\$1,331	\$1,551
	1500-5223	Prep/Bar Faucet 7.46" (18.9cm) spout height at outlet. 7.41" (18.8cm) spout reach (c-c). 13.67" overall height. 1.8 gallons (6.8 liters) per minute maximum flow rate.	\$1,058	\$1,331	\$1,551
	1508	Prep/Bar Faucet 7.92" (20.1cm) spout height at outlet. 4.03" (10.2cm) spout reach (c-c). 13.10" overall height. 1.2 gallons (4.5 liters) per minute maximum flow rate. Drains not included. For lavatory sink drains, see Brasstech # 330, 3301, 3302, or 3303. For bar sink drains, see #130 and 131.	\$987	\$1,329	\$1,594
	2008	Prep/Bar Faucet 7.42" (18.8cm) spout height at outlet. 7.13" (18.1cm) spout reach (c-c). 12.98" overall height. 1.8 gallons (6.8 liters) per minute maximum flow rate.	\$933	\$1,236	\$1,433
	106	Hot and Cold Water Dispenser 6.28" (16cm) spout height at outlet. 4" (10.2cm) spout reach (c-c). HOT WATER TANK #5-036 SOLD SEPARATELY.	\$653	\$776	\$895
	106C	Cold Water Dispenser 6.28" (16cm) spout height at outlet. 4" (10.2cm) spout reach (c-c).	\$412	\$500	\$553
	6-027	Universal Contemporary Air Gap, Reverse Osmosis	\$184	\$216	\$228
	106H	Hot Water Dispenser 6.28" (16cm) spout height at outlet. 4" (10.2cm) spout reach (c-c). HOT WATER TANK #5-036 SOLD SEPARATELY.	\$564	\$685	\$790
	100	Air Gap Kit IAPMO UPC® listed.	\$55	\$69	\$83



1500-5811 Soft Touch Air Activated Disposer Switch
Plugs into a standard 120 VAC wall outlet.
Contemporary Style.

\$282 \$382 \$437



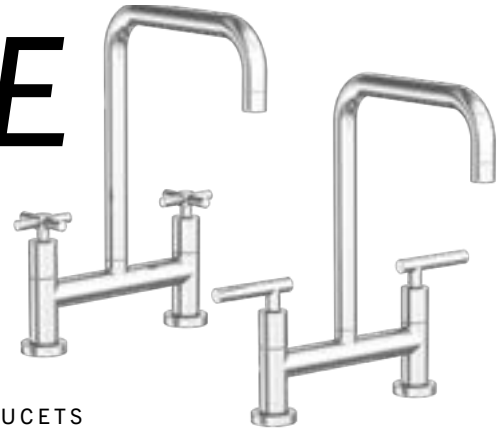
1500-5721 Soap/Lotion Dispenser
Requires 1-1/4" to 1-11/16" through hole.
Accommodates 2-3/8" maximum deck thickness.

\$295 \$382 \$437

20-373 Soap/Lotion Replacement Head
125-8 Soap/Lotion Pump
125-9 Soap/Lotion - Replacement Bottle

\$180 \$231 \$266
\$55 — —
\$4 — —

EAST SQUARE



KITCHEN FAUCETS | PREP/BAR FAUCETS



1400-5113 Pull-Down Kitchen Faucet
 10.36" (26.3cm) spout height at outlet.
 8.27" (21 cm) spout reach (c-c).
 15.91" overall height.
 1.8 gallons (6.8 liters) per minute maximum flow rate.

\$1,172

\$1,415

\$1,633

NEW



1400-5143 Pull-Down Kitchen Faucet
 11.10" (28.2cm) spout height at outlet.
 8.27" (21 cm) spout reach (c-c).
 16.65" overall height.
 1.8 gallons (6.8 liters) per minute maximum flow rate.

\$1,129

\$1,359

\$1,568



1400-5402 Kitchen Bridge Faucet, Cross Handles
 11.21" (21.2cm) spout height at outlet.
 9" (22.8cm) spout reach (c-c).
 For 8" (20.3cm) centers.
 1.8 gallons (6.8 liters) per minute maximum flow rate.

\$1,449

\$1,955

\$2,246



1400-5412 Kitchen Bridge Faucet with Side Spray
 Cross Handles.
 11.21" (21.2cm) spout height at outlet.
 9" (22.8cm) spout reach (c-c).
 For 8" (20.3cm) centers.
 1.8 gallons (6.8 liters) per minute maximum flow rate.

\$2,170

\$2,882

\$3,365



1400-5403 Kitchen Bridge Faucet, Lever Handles
 11.21" (21.2cm) spout height at outlet.
 9" (22.8cm) spout reach (c-c).
 For 8" (20.3cm) centers.
 1.8 gallons (6.8 liters) per minute maximum flow rate.

\$1,449

\$1,955

\$2,246












1400-5413 Kitchen Bridge Faucet with Side Spray
 Lever Handles.
 11.21" (21.2cm) spout height at outlet.
 9" (22.8cm) spout reach (c-c).
 For 8" (20.3cm) centers.
 1.8 gallons (6.8 liters) per minute maximum flow rate.

\$2,170

\$2,882

\$3,365

NEW		1400-5462 Kitchen Bridge Pull-Down Faucet Cross Handles. 8.78" (22.3cm) spout height at outlet. 8.27" (21.0cm) spout reach (c-c). For 8" (20.3cm) centers. 1.8 gallons (6.8 liters) per minute maximum flow rate.	\$1,480	\$1,998	\$2,297
NEW		1400-5463 Kitchen Bridge Pull-Down Faucet Lever Handles. 8.78" (22.3cm) spout height at outlet. 8.27" (21.0cm) spout reach (c-c). For 8" (20.3cm) centers. 1.8 gallons (6.8 liters) per minute maximum flow rate.	\$1,480	\$1,998	\$2,297
		2007 Prep/Bar Faucet 7.41" (18.8cm) spout height at outlet. 6.13" (15.6cm) spout reach (c-c). 10.91" overall height. 1.8 gallons (6.8 liters) per minute maximum flow rate. Matches East Square Series.	\$933	\$1,236	\$1,433
		106 Hot and Cold Water Dispenser 6.28" (16cm) spout height at outlet. 4" (10.2cm) spout reach (c-c). HOT WATER TANK #5-036 SOLD SEPARATELY.	\$653	\$776	\$895
		106C Cold Water Dispenser 6.28" (16cm) spout height at outlet. 4" (10.2cm) spout reach (c-c).	\$412	\$500	\$553
		6-027 Universal Contemporary Air Gap, Reverse Osmosis	\$184	\$216	\$228
		106H Hot Water Dispenser 6.28" (16cm) spout height at outlet. 4" (10.2cm) spout reach (c-c). HOT WATER TANK #5-036 SOLD SEPARATELY.	\$564	\$685	\$790
		100 Air Gap Kit IAPMO UPC® listed.	\$55	\$69	\$83
		1500-5811 Soft Touch Air Activated Disposer Switch Plugs into a standard 120 VAC wall outlet. Contemporary Style.	\$282	\$382	\$437












1500-5721	Soap/Lotion Dispenser Requires 1-1/4" to 1-11/16" through hole. Accommodates 2-3/8" maximum deck thickness.	\$295	\$382	\$437
20-373	Soap/Lotion Replacement Head	\$180	\$231	\$266
125-8	Soap/Lotion Pump	\$55	—	—
125-9	Soap/Lotion - Replacement Bottle	\$4	—	—

FAIRFIELD



KITCHEN BRIDGE FAUCETS | KITCHEN FAUCETS | PREP/BAR FAUCET

	945	Kitchen Bridge Faucet Swivel spout. 6.38" (16.2cm) spout height at outlet. 9.46" (24.0cm) spout reach (c-c). For 8" (20.3cm) centers. 1.8 gallons (6.8 liters) per minute maximum flow rate.	\$994	\$1,392	\$1,674
	945-1	Kitchen Bridge Faucet with Side Spray Swivel spout. 6.38" (16.2cm) spout height at outlet. 9.46" (24.0cm) spout reach (c-c). For 8" (20.3cm) centers. 1.8 gallons (6.8 liters) per minute maximum flow rate.	\$1,805	\$2,126	\$2,552
	9455	Kitchen Bridge Faucet C-spout. Cross Handles. 9" (22.8cm) spout height at outlet. 9" (22.8cm) spout reach (c-c). For 8" (20.3cm) centers. 1.8 gallons (6.8 liters) per minute maximum flow rate.	\$1,318	\$1,778	\$2,042
	9456	Kitchen Bridge Faucet with Side Spray C-spout. Cross Handles. 9" (22.8cm) spout height at outlet. 9" (22.8cm) spout reach (c-c). For 8" (20.3cm) centers. 1.8 gallons (6.8 liters) per minute maximum flow rate.	\$1,973	\$2,621	\$3,061
	946	Kitchen Faucet with Side Spray 5.56" (14.1cm) spout height at outlet. 9.49" (24.1cm) spout reach (c-c). For 8" (20.3cm) centers - maximum 20" (50.8cm). 1.8 gallons (6.8 liters) per minute maximum flow rate.	\$1,284	\$1,791	\$2,149
	9451	Kitchen Bridge Faucet Swivel spout. 6.52" (16.6cm) spout height at outlet. 8.51" (21.6cm) min to 10.38" (26.4cm) max. spout reach (c-c). For 8" (20.3) centers - maximum 9.62" (24.4cm). 1.8 gallons (6.8 liters) per minute maximum flow rate.	\$1,049	\$1,457	\$1,748

	9451-1	Kitchen Bridge Faucet with Side Spray Swivel spout. 6.52" (16.6cm) spout height at outlet. 8.51" (21.6cm) min to 10.38" (26.4cm) max. spout reach (c-c). For 8" (20.3) centers - maximum 9.62" (24.4cm). 1.8 gallons (6.8 liters) per minute maximum flow rate.	\$1,805	\$2,126	\$2,552
	1008	Prep/Bar Faucet 7.12" (18.1cm) spout height at outlet. 8.45" (21.4cm) spout reach (c-c). 11.01" overall height. 1.8 gallons (6.8 liters) per minute maximum flow rate.	\$943	\$1,248	\$1,450
	108	Hot and Cold Water Dispenser 5.82" (14.8cm) spout height at outlet. 5.18" (13.2cm) spout reach (c-c). HOT WATER TANK #5-036 SOLD SEPARATELY.	\$691	\$822	\$946
	108C	Cold Water Dispenser 5.82" (14.8cm) spout height at outlet. 5.18" (13.2cm) spout reach (c-c).	\$415	\$517	\$586
	6-028	Universal Traditional Air Gap, Reverse Osmosis	\$184	\$216	\$228
	108H	Hot Water Dispenser 5.82" (14.8cm) spout height at outlet. 5.18" (13.2cm) spout reach (c-c). HOT WATER TANK #5-036 SOLD SEPARATELY.	\$596	\$758	\$872
	1030-5711	Air Gap Kit IAPMO UPC® listed.	\$146	\$191	\$227
	127	Soap/Lotion Dispenser Requires 1-1/4" to 1-11/16" through hole. Accommodates 2-1/4" maximum deck thickness.	\$226	\$290	\$345
	127-6	Soap/Lotion Replacement Head with Pump	\$152	\$193	\$218
	50931	Soap/Lotion Pump	\$27	—	—
	125-9	Soap/Lotion - Replacement Bottle	\$4	—	—

GAVIN



KITCHEN FAUCETS | PREP/BAR FAUCET

	<p>3210-5103 Pull-Down Kitchen Faucet 10.37" (26.4cm) spout height at outlet. 8.58" (21.8cm) spout reach (c-c). 17.49" overall height. 1.8 gallons (6.8 liters) per minute maximum flow rate</p>	\$1,242	\$1,499	\$1,730
	<p>3210-5203 Prep/Bar Pull-Down Faucet 8.24" (20.9cm) spout height at outlet. 7.47" (19.0 cm) spout reach (c-c). 14.89" overall height. 1.8 gallons (6.8 liters) per minute maximum flow rate.</p>	\$1,161	\$1,398	\$1,629
	<p>3210-5503 Pot Filler - Wall Mount 4.37" (11.1cm) spout downward offset from wall inlet center. 21.39" (54.3cm) pivoting spout reach from inlet valve (c-c). 3.51" (8.9cm) pivoting inlet valve offset (wall-center). Two shut off valves. Twin knuckles. We recommend shutting off at marked location (OFF) when not in use.</p>	\$1,227	\$1,509	\$1,740
	<p>3210-5603 Hot and Cold Water Dispenser 6.73" (17cm) spout height at outlet. 4.74" (12.0 cm) spout reach (c-c). HOT WATER TANK #5-036 SOLD SEPARATELY.</p>	\$713	\$864	\$986
	<p>3210-5623 Cold Water Dispenser 6.73" (17cm) spout height at outlet. 4.74" (12.0cm) spout reach (c-c).</p>	\$511	\$647	\$746
	<p>6-028 Universal Traditional Air Gap, Reverse Osmosis</p>	\$184	\$216	\$228
	<p>3210-5613 Hot Water Dispenser 6.73" (17cm) spout height at outlet. 4.74" (12.0cm) spout reach (c-c). HOT WATER TANK #5-036 SOLD SEPARATELY.</p>	\$628	\$793	\$916



3180-5711 Air Gap Kit
IAPMO UPC® listed.

\$146 \$191 \$227



3210-5811 Soft Touch Air Activated Disposer Switch
Plugs into a standard 120 VAC wall outlet.
Traditional Style.

\$282 \$382 \$437



3210-5721 Soap/Lotion Dispenser
Requires 1-1/4" to 1-11/16" through hole.
Accommodates 2-3/8" maximum deck thickness.

\$295 \$382 \$437

20-374 Soap/Lotion Replacement Head
125-8 Soap/Lotion Pump
125-9 Soap/Lotion - Replacement Bottle

\$180 \$231 \$266
\$55 — —
\$4 — —

HEANEY



PULL DOWN FAUCETS | PREP/BAR FAUCETS

	<p>3190-5113 Pull-Down Kitchen Faucet 10.76" (27.3cm) spout height at outlet. 8.52" (21.6cm) spout reach (c-c) 17.45" overall height. 1.8 gallons (6.8 liters) per minute maximum flow rate.</p>	<p>\$1,242</p>	<p>\$1,499</p>	<p>\$1,730</p>
	<p>3190-5223 Prep/Bar Pull-Down Faucet 8.65" (22.0cm) spout height at outlet. 7.40" (18.8cm) spout reach (c-c) 14.85" overall height. 1.8 gallons (6.8 liters) per minute maximum flow rate.</p>	<p>\$1,161</p>	<p>\$1,398</p>	<p>\$1,629</p>
	<p>3190-5503 Pot Filler - Wall Mount 4.37" (11.1cm) spout downward offset from the wall inlet center. 21.39" (54.3cm) pivoting spout reach from inlet valve (c-c). 3.51" (8.9cm) pivoting inlet valve offset (wall-center). Two shut off valves. Twin knuckles. We recommend shutting off at marked location (OFF) when not in use.</p>	<p>\$1,227</p>	<p>\$1,509</p>	<p>\$1,740</p>
	<p>3190-5603 Hot and Cold Water Dispenser 6.35" (16.1cm) spout height at outlet. 4" (10.2cm) spout reach (c-c). HOT WATER TANK #5-036 SOLD SEPARATELY</p>	<p>\$713</p>	<p>\$864</p>	<p>\$986</p>
	<p>3190-5623 Cold Water Dispenser 6.35" (16.1cm) spout height at outlet. 4" (10.2cm) spout reach (c-c).</p>	<p>\$511</p>	<p>\$647</p>	<p>\$746</p>
	<p>6-027 Universal Contemporary Air Gap, Reverse Osmosis</p>	<p>\$184</p>	<p>\$216</p>	<p>\$228</p>
	<p>3190-5613 Hot Water Dispenser 6.35" (16.1cm) spout height at outlet. 4" (10.2cm) spout reach (c-c). WATER TANK #5-036 SOLD SEPARATELY.</p>	<p>\$628</p>	<p>\$793</p>	<p>\$916</p>



3180-5711 Air Gap Kit
IAPMO UPC® listed.

\$146 \$191 \$227



3190-5811 Soft Touch Air Activated Disposer Switch
Plugs into a standard 120 VAC wall outlet.
Transitional Style.

\$282 \$382 \$437



3190-5721 Soap/Lotion Dispenser
Requires 1-1/4" to 1-11/16" through hole.
Accommodates 2-3/8" maximum deck thickness.

\$295 \$382 \$437

20-373 Soap/Lotion Replacement Head
125-8 Soap/Lotion Pump
125-9 Soap/Lotion - Replacement Bottle

\$180 \$231 \$266
\$55 — —
\$4 — —

JACOBEBEAN



PULL DOWN FAUCET | KITCHEN FAUCETS | PREP/BAR FAUCET

	<p>2470-5103 Pull-Down Kitchen Faucet 9.81" (24.9cm) spout height at outlet. 8.58" (21.8cm) spout reach (c-c). 16.93" overall height. 1.8 gallons (6.8 liters) per minute maximum flow rate.</p>	\$1,129	\$1,426	\$1,646
	<p>2470-5303 Single Handle Kitchen Faucet 7.67" (19.5cm) spout height at outlet. 9.05" (23.0cm) spout reach (c-c). 10.88" overall height. 1.8 gallons (6.8 liters) per minute maximum flow rate.</p>	\$1,016	\$1,323	\$1,526
	<p>2470-5313 Single Handle Kitchen Faucet with Side Spray 7.67" (19.5cm) spout height at outlet. 9.05" (23.0cm) spout reach (c-c). 10.88" overall height. 1.8 gallons (6.8 liters) per minute maximum flow rate.</p>	\$1,309	\$1,702	\$1,966
	<p>2470-5432 Kitchen Faucet with Side Spray. Cross Handles. 6" (15.2cm) spout height at outlet. 9.05" (23.0cm) spout reach (c-c). For 8" (20.3cm) centers - maximum 20" (50.8cm). 1.8 gallons (6.8 liters) per minute maximum flow rate.</p>	\$1,284	\$1,791	\$2,149
	<p>2470-5433 Kitchen Faucet with Side Spray. Lever Handles. 6" (15.2cm) spout height at outlet. 9.05" (23.0cm) spout reach (c-c). For 8" (20.3cm) centers - maximum 20" (50.8cm). 1.8 gallons (6.8 liters) per minute maximum flow rate.</p>	\$1,284	\$1,791	\$2,149
	<p>2470-5462 Kitchen Pull-Down Faucet. Cross Handles. 8.14" (20.7cm) spout height at outlet. 8.58" (21.8cm) spout reach (c-c). For 8" (20.3cm) centers. 1.8 gallons (6.8 liters) per minute maximum flow rate.</p>	\$1,480	\$1,998	\$2,297

NEW

NEW



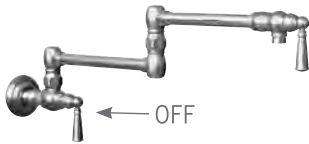
2470-5463 Kitchen Pull-Down Faucet. Lever Handles. \$1,480 \$1,998 \$2,297
 8.14" (20.7cm) spout height at outlet.
 8.58" (21.8cm) spout reach (c-c).
 For 8" (20.3cm) centers.
 1.8 gallons (6.8 liters) per minute maximum flow rate.



2470-5203 Prep/Bar Faucet \$969 \$1,237 \$1,439
 7.73" (19.7cm) spout height at outlet.
 6.70" (17.0cm) spout reach (c-c).
 9.99" overall height.
 1.8 gallons (6.8 liters) per minute maximum flow rate.



2470-5223 Prep/Bar Pull Down Faucet \$1,058 \$1,331 \$1,551
 8.80" (22.4cm) spout height at outlet.
 6.55" (16.6cm) spout reach (c-c).
 14.84" overall height.
 1.8 gallons (6.8 liters) per minute maximum flow rate.



2470-5503 Pot Filler - Wall Mount \$1,067 \$1,469 \$1,762
 4.57" (11.6cm) spout downward offset from the wall inlet center.
 21.19" (53.8cm) pivoting spout reach from inlet valve (c-c).
 3.51" (8.9cm) pivoting inlet valve offset (wall-center).
 Two shut off valves. Twin knuckles.
 We recommend shutting off at marked location (OFF) when not in use.



2470-5603 Hot and Cold Water Dispenser \$653 \$815 \$943
 6.73" (17.0cm) spout height at outlet.
 4.74" (12.0cm) spout reach (c-c).
 HOT WATER TANK #5-036 SOLD SEPARATELY.



2470-5623 Cold Water Dispenser \$405 \$504 \$569
 6.73" (17.0cm) spout height at outlet.
 4.74" (12.0cm) spout reach (c-c).

6-028 Universal Traditional Air Gap, Reverse Osmosis \$184 \$216 \$228



2470-5613 Hot Water Dispenser \$578 \$756 \$836
 6.73" (17.0cm) spout height at outlet.
 4.74" (12.0cm) spout reach (c-c).
 HOT WATER TANK #5-036 SOLD SEPARATELY.



2470-5711 Air Gap Kit \$146 \$191 \$227
 IAPMO UPC® listed.



2470-5811 Soft Touch Air Activated Disposer Switch
Plugs into a standard 120 VAC wall outlet.
Traditional Style.

\$282 \$382 \$437



2470-5721 Soap/Lotion Dispenser
Requires 1-1/4" to 1-11/16" through hole.
Accommodates 2-7/16" maximum deck thickness.

\$295 \$382 \$437

20-374 Soap/Lotion Replacement Head

\$180 \$231 \$266

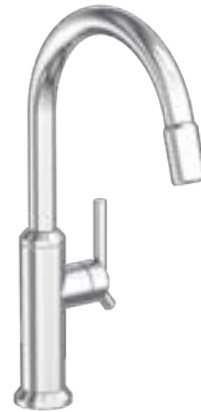
125-8 Soap/Lotion Pump

\$55 — —

125-9 Soap/Lotion - Replacement Bottle

\$4 — —

JETER



KITCHEN FAUCETS | PREP/BAR FAUCET

	<p>3200-5113 Pull-Down Kitchen Faucet 10.77" (27.4cm) spout height at outlet. 8.52" (21.6cm) spout reach (c-c) 17.45" overall height. 1.8 gallons (6.8 liters) per minute maximum flow rate</p>	\$1,242	\$1,499	\$1,730
	<p>3200-5223 Prep/Bar Pull-Down Faucet 8.65" (22.0cm) spout height at outlet. 7.40" (18.8cm) spout reach (c-c). 14.85" overall height. 1.8 gallons (6.8 liters) per minute maximum flow rate.</p>	\$1,161	\$1,398	\$1,629
	<p>3200-5503 Pot Filler - Wall Mount 4.37" (11.1cm) spout downward offset from wall inlet center. 21.39" (54.3cm) pivoting spout reach from inlet valve (c-c). 3.51" (8.9cm) pivoting inlet valve offset (wall-center). Two shut off valves. Twin knuckles. We recommend shutting off at marked location (OFF) when not in use.</p>	\$1,227	\$1,509	\$1,740
	<p>3200-5603 Hot and Cold Water Dispenser 6.35" (16.1cm) spout height at outlet. 4" (10.2 cm) spout reach (c-c). HOT WATER TANK #5-036 SOLD SEPARATELY.</p>	\$713	\$864	\$986
	<p>3200-5623 Cold Water Dispenser 6.35" (16.1cm) spout height at outlet. 4" (10.2cm) spout reach (c-c).</p>	\$511	\$647	\$746
	<p>6-027 Universal Contemporary Air Gap, Reverse Osmosis</p>	\$184	\$216	\$228
	<p>3200-5613 Hot Water Dispenser 6.35" (16.1cm) spout height at outlet. 4" (10.2cm) spout reach (c-c). HOT WATER TANK #5-036 SOLD SEPARATELY.</p>	\$628	\$793	\$916



3180-5711 Air Gap Kit
IAPMO UPC® listed.

\$146 \$191 \$227



3200-5811 Soft Touch Air Activated Disposer Switch
Plugs into a standard 120 VAC wall outlet.
Contemporary Style.

\$282 \$382 \$437



3200-5721 Soap/Lotion Dispenser
Requires 1-1/4" to 1-11/16" through hole.
Accommodates 2-3/8" maximum deck thickness.

\$295 \$382 \$437

20-373 Soap/Lotion Replacement Head
125-8 Soap/Lotion Pump
125-9 Soap/Lotion - Replacement Bottle

\$180 \$231 \$266
\$55 — —
\$4 — —

METROPOLE



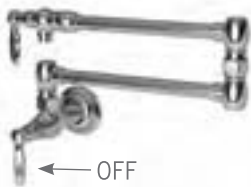
PULL DOWN FAUCET | PREP/BAR FAUCET



1200-5103	Pull-Down Faucet 9.06" (23.0 cm) spout height at outlet. 8.53" (21.7 cm) spout reach (c-c). 16.28" overall height. 1.8 gallons per minute maximum flow rate.	\$1,219	\$1,472	\$1,699
------------------	--------------------------------------------------------------------------------------------------------------------------------------------------------------------------	---------	---------	---------



1200-5223	Prep/Bar Faucet 8.17" (20.8 cm) spout height at outlet. 6.55" (16.6 cm) spout reach (c-c). 14.21" overall height. 1.8 gallons per minute maximum flow rate.	\$1,140	\$1,372	\$1,600
------------------	-------------------------------------------------------------------------------------------------------------------------------------------------------------------------	---------	---------	---------



1200-5503	Pot Filler - Wall Mount 4.57" (11.6 cm) spout downward offset from the wall inlet center. 21.19" (53.8 cm) pivoting spout reach from inlet valve (c-c). 3.51" (8.9 cm) pivoting inlet valve offset (wall-center). Two shut off valves. Twin knuckles. We recommend shutting off at marked location (OFF) when not in use.	\$1,227	\$1,509	\$1,740
------------------	------------------------------------------------------------------------------------------------------------------------------------------------------------------------------------------------------------------------------------------------------------------------------------------------------------------------------------------	---------	---------	---------



1200-5603	Hot and Cold Water Dispenser 7.36" (18.7cm) spout height at outlet. 4.74" (12.0cm) spout reach (c-c). HOT WATER TANK #5-036 SOLD SEPARATELY	\$680	\$838	\$958
------------------	----------------------------------------------------------------------------------------------------------------------------------------------------------	-------	-------	-------



1200-5623	Cold Water Dispenser 7.36" (18.7 cm) spout height at outlet 4.74" (12.0cm) spout reach (c-c).	\$511	\$647	\$746
6-027	Universal Contemporary Air Gap, Reverse Osmosis	\$184	\$216	\$228



1200-5613	Hot Water Dispenser 7.36" (18.7 cm) spout height at outlet 4.74" (12.0cm) spout reach (c-c). HOT WATER TANK #5-036 SOLD SEPARATELY.	\$628	\$793	\$916
------------------	--------------------------------------------------------------------------------------------------------------------------------------------------	-------	-------	-------



3180-5711 Air Gap Kit
IAPMO UPC® listed.

\$146 \$191 \$227



3190-5811 Soft Touch Air Activated Disposer Switch
Plugs into a standard 120 VAC wall outlet.
Transitional Style.

\$282 \$382 \$437



2500-5721 Soap/Lotion Dispenser
Requires 1-1/4" to 1-11/16" through hole.
Accommodates 2-1/4" maximum deck thickness.

\$295 \$382 \$437

20-405 Soap/Lotion Replacement Head
125-8 Soap/Lotion Pump
125-9 Soap/Lotion - Replacement Bottle

\$180 \$231 \$266
\$55
\$4

MUNCY



PULL DOWN FAUCETS | KITCHEN FAUCETS | PREP/BAR FAUCETS



3290-5113 Pull-Down Kitchen Faucet
 9.59" (24.4cm) spout height at outlet.
 8.52" (21.6cm) spout reach (c-c).
 16.28" overall height.
 1.8 gallons (6.8 liters) per minute maximum flow rate.

\$1,219

\$1,472

\$1,699

NEW



3290-5143 Pull-Down Kitchen Faucet
 10.2" (25.9cm) spout height at outlet.
 8.52" (21.6cm) spout reach (c-c).
 16.89" overall height.
 1.8 gallons (6.8 liters) per minute maximum flow rate.

\$1,129

\$1,359

\$1,568

NEW



3360-5113 Pull-Down Kitchen Faucet
 10.61" (27.0cm) spout height at outlet.
 8.27" (21.0cm) spout reach (c-c).
 16.16" overall height.
 1.8 gallons (6.8 liters) per minute maximum flow rate.

\$1,219

\$1,472

\$1,699



3290-5413 Kitchen Bridge Faucet with Side Spray
 Lever Handles.
 8.50" (21.6cm) spout height at outlet.
 9" (22.9cm) spout reach (c-c).
 For 8" (20.3cm) centers.
 1.8 gallons (6.8 liters) per minute maximum flow rate.

\$2,098

\$2,638

\$3,138

NEW



3360-5413 Kitchen Bridge Faucet with Side Spray
 Lever Handles.
 11.24" (28.5cm) spout height at outlet.
 9" (22.9cm) spout reach (c-c).
 For 8" (20.3cm) centers.
 1.8 gallons (6.8 liters) per minute maximum flow rate.

\$2,098

\$2,638

\$3,138

NEW



3290-5463 Kitchen Bridge Pull-Down Faucet
 Lever Handles.
 10.01" (25.4cm) spout height at outlet.
 8.52" (21.6cm) spout reach (c-c).
 For 8" (20.3cm) centers.
 1.8 gallons (6.8 liters) per minute maximum flow rate.

\$1,480

\$1,998

\$2,297

	<p>3290-5223 Prep/Bar Pull-Down Faucet 7.46" (18.9cm) spout height at outlet. 7.41" (18.8cm) spout reach (c-c). 13.67" overall height. 1.8 gallons (6.8 liters) per minute maximum flow rate.</p>	\$1,161	\$1,398	\$1,629
	<p>3290-5503 Pot Filler - Wall Mount 4.35" (11.0cm) spout downward offset from wall inlet center. 21.39" (54.3cm) pivoting spout reach from inlet valve (c-c). 3.51" (8.9cm) pivoting inlet valve offset (wall-center). Two shut off valves. Twin knuckles. We recommend shutting off at marked location (OFF) when not in use.</p>	\$1,227	\$1,509	\$1,740
	<p>3290-5603 Hot and Cold Water Dispenser 6.35" (16.1cm) spout height at outlet. 4" (10.2cm) spout reach (c-c). HOT WATER TANK #5-036 SOLD SEPARATELY</p>	\$713	\$864	\$986
	<p>3290-5623 Cold Water Dispenser 6.35" (16.1cm) spout height at outlet. 4" (10.2cm) spout reach (c-c).</p>	\$511	\$647	\$746
	<p>6-027 Universal Contemporary Air Gap, Reverse Osmosis</p>	\$184	\$216	\$228
	<p>3290-5613 Hot Water Dispenser 6.35" (16.1cm) spout height at outlet. 4" (10.2cm) spout reach (c-c). WATER TANK #5-036 SOLD SEPARATELY.</p>	\$628	\$793	\$916
	<p>3180-5711 Air Gap Kit IAPMO UPC® listed.</p>	\$146	\$191	\$227
	<p>3290-5811 Soft Touch Air Activated Disposer Switch Plugs into a standard 120 VAC wall outlet. Industrial Style.</p>	\$282	\$382	\$437
	<p>3180-5721 Soap/Lotion Dispenser Requires 1-1/4" to 1-11/16" through hole. Accommodates 2-3/8" maximum deck thickness.</p>	\$295	\$382	\$437
	<p>20-373 Soap/Lotion Replacement Head 125-8 Soap/Lotion Pump 125-9 Soap/Lotion - Replacement Bottle</p>	\$180	\$231	\$266
		\$55	—	—
		\$4	—	—

NADYA



PULL DOWN FAUCET | KITCHEN FAUCETS | PREP/BAR FAUCETS



2510-5103 Pull-down Kitchen Faucet \$1,129 \$1,426 \$1,646
 11.73" (29.8cm) spout height at outlet.
 9" (22.9cm) spout reach (c-c).
 17.65" overall height.
 1.8 gallons (6.8 liters) per minute maximum flow rate.



940 Single Handle Kitchen Faucet \$1,263 \$1,324 \$1,589
 5.63" (14.3cm) spout height at outlet.
 9.68" (24.6cm) spout reach (c-c).
 7.99" overall height.
 1.8 gallons (6.8 liters) per minute maximum flow rate.



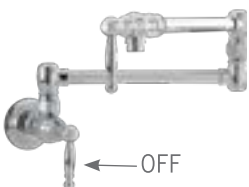
941 Single Handle Kitchen Faucet with Side Spray \$1,597 \$1,673 \$2,003
 5.63" (14.3cm) spout height at outlet.
 9.68" (24.6cm) spout reach (c-c).
 7.99" overall height.
 1.8 gallons (6.8 liters) per minute maximum flow rate.



2510-5203 Prep/Bar Faucet \$1,058 \$1,331 \$1,551
 6.21" (15.8cm) spout height at outlet.
 6.55" (16.6cm) spout reach (c-c).
 12.25" overall height.
 1.8 gallons (6.8 liters) per minute maximum flow rate.



8081 Prep/Bar Faucet \$943 \$1,248 \$1,450
 10" (25.4cm) spout height at outlet.
 5.27" (13.4cm) spout reach (c-c).
 For single hole configurations.
 1.8 gallons (6.8 liters) per minute maximum flow rate.



9482 Pot Filler - Wall Mount \$1,067 \$1,469 \$1,762
 4.57" (11.6cm) spout height from wall inlet center.
 21.19" (53.8cm) pivoting spout reach from inlet valve (c-c).
 3.51" (8.9cm) pivoting inlet valve offset (wall-center).
 Two shut off valves. Twin knuckles.
 We recommend shutting off at marked location (OFF) when not in use.

SEAGER



PULL DOWN FAUCETS | PREP/BAR FAUCETS

	<p>3180-5113 Pull-Down Kitchen Faucet 10.81" (27.5cm) spout height at outlet. 8.52" (21.6cm) spout reach (c-c) 17.49" overall height. 1.8 gallons (6.8 liters) per minute maximum flow rate.</p>	\$1,242	\$1,499	\$1,730
	<p>3180-5223 Prep/Bar Pull-Down Faucet 8.69" (22.1cm) spout height at outlet. 7.40" (18.8cm) spout reach (c-c) 14.89" overall height. 1.8 gallons (6.8 liters) per minute maximum flow rate.</p>	\$1,161	\$1,398	\$1,629
	<p>3180-5503 Pot Filler - Wall Mount 4.37" (11.1cm) spout downward offset from the wall inlet center. 21.39" (54.3cm) pivoting spout reach from inlet valve (c-c). 3.51" (8.9cm) pivoting inlet valve offset (wall-center). Two shut off valves. Twin knuckles. We recommend shutting off at marked location (OFF) when not in use.</p>	\$1,227	\$1,509	\$1,740
	<p>3180-5603 Hot and Cold Water Dispenser 6.35" (16.1cm) spout height at outlet. 4" (10.2cm) spout reach (c-c). HOT WATER TANK #5-036 SOLD SEPARATELY</p>	\$713	\$864	\$986
	<p>3180-5623 Cold Water Dispenser 6.35" (16.1cm) spout height at outlet. 4" (10.2cm) spout reach (c-c).</p>	\$511	\$647	\$746
	<p>6-027 Universal Contemporary Air Gap, Reverse Osmosis</p>	\$184	\$216	\$228
	<p>3180-5613 Hot Water Dispenser 6.35" (16.1cm) spout height at outlet. 4" (10.2cm) spout reach (c-c). WATER TANK #5-036 SOLD SEPARATELY.</p>	\$628	\$793	\$916



3180-5711 Air Gap Kit
IAPMO UPC® listed.

\$146 \$191 \$227



3180-5721 Soap/Lotion Dispenser
Requires 1-1/4" to 1-11/16" through hole.
Accommodates 2-3/8" maximum deck thickness.

\$295 \$382 \$437

20-373 Soap/Lotion Replacement Head
125-8 Soap/Lotion Pump
125-9 Soap/Lotion - Replacement Bottle

\$180 \$231 \$266
\$55 — —
\$4 — —



1500-5811 Soft Touch Air Activated Disposer Switch
Plugs into a standard 120 VAC wall outlet.
Contemporary Style.

\$282 \$382 \$437

STRIPLING



PULL DOWN FAUCETS | PREP/BAR FAUCETS

	<p>3310-5103 Pull-Down Kitchen Faucet 10.18" (25.9cm) spout height at outlet. 8.58" (21.8cm) spout reach (c-c) 17.31" overall height. 1.8 gallons (6.8 liters) per minute maximum flow rate.</p>	\$1,242	\$1,499	\$1,730
	<p>3310-5203 Prep/Bar Pull-Down Faucet 8.7" (22.1cm) spout height at outlet. 7.47" (19.0cm) spout reach (c-c) 15.36" overall height. 1.8 gallons (6.8 liters) per minute maximum flow rate.</p>	\$1,161	\$1,398	\$1,629
	<p>3310-5503 Pot Filler - Wall Mount 4.38" (11.1cm) spout downward offset from the wall inlet center. 21.39" (54.3cm) pivoting spout reach from inlet valve (c-c). 3.51" (8.9cm) pivoting inlet valve offset (wall-center). Two shut off valves. Twin knuckles. We recommend shutting off at marked location (OFF) when not in use.</p>	\$1,227	\$1,509	\$1,740
	<p>3310-5603 Hot and Cold Water Dispenser 7" (17.8cm) spout height at outlet. 4.74" (12.0cm) spout reach (c-c). HOT WATER TANK #5-036 SOLD SEPARATELY</p>	\$713	\$864	\$986
	<p>3310-5623 Cold Water Dispenser 7" (17.8cm) spout height at outlet. 4.74" (12.0cm) spout reach (c-c).</p>	\$511	\$647	\$746
	<p>6-027 Universal Contemporary Air Gap, Reverse Osmosis</p>	\$184	\$216	\$228
	<p>3310-5613 Hot Water Dispenser 7" (17.8cm) spout height at outlet. 4.74" (12.0cm) spout reach (c-c). WATER TANK #5-036 SOLD SEPARATELY.</p>	\$628	\$793	\$916



1030-5711 Air Gap Kit
IAPMO UPC® listed.

\$146 \$191 \$227



3310-5721 Soap/Lotion Dispenser
Requires 1-1/4" to 1-11/16" through hole.
Accommodates 2-3/8" maximum deck thickness.

\$295 \$382 \$437

20-373 Soap/Lotion Replacement Head
125-8 Soap/Lotion Pump
125-9 Soap/Lotion - Replacement Bottle

\$180 \$231 \$266
\$55 — —
\$4 — —



2470-5811 Soft Touch Air Activated Disposer Switch
Plugs into a standard 120 VAC wall outlet.
Traditional Style.

\$282 \$382 \$437

TAFT



PULL DOWN FAUCETS | PREP/BAR FAUCETS

	<p>2940-5103 Pull-Down Kitchen Faucet 10.31" (26.2cm) spout height at outlet. 8.58" (21.8cm) spout reach (c-c). 17.43" overall height. 1.8 gallons (6.8 liters) per minute maximum flow rate.</p>	\$1,219	\$1,472	\$1,699	
	<p>2940-5123 Pull-Down Kitchen Faucet 2-hole install, separate single handle. 10.21" (25.9cm) spout height at outlet 9.37" (23.8cm) spout reach (c-c) 16.80" overall height. 1.8 gallons (6.8 liters) per minute maximum flow rate.</p>	\$1,129	\$1,359	\$1,568	
NEW		<p>2940-5463 Kitchen Bridge Pull-Down Faucet Lever Handles. 9.7" (24.6cm) spout height at outlet 8.58" (21.8cm) spout reach (c-c) For 8" (20.3cm) centers. 1.8 gallons (6.8 liters) per minute maximum flow rate.</p>	\$1,480	\$1,998	\$2,297
	<p>2940-5223 Prep/Bar Pull-Down Faucet 8.18" (20.8cm) spout height at outlet. 7.47" (19.0cm) spout reach (c-c). 14.83" overall height. 1.8 gallons (6.8 liters) per minute maximum flow rate.</p>	\$1,140	\$1,372	\$1,600	
	<p>2940-5503 Pot Filler - Wall Mount 4.37" (11.1cm) spout downward offset from wall inlet center. 21.39" (54.3cm) pivoting spout reach from inlet valve (c-c). 3.54" (9.0cm) pivoting inlet valve offset (wall-center). Two shut off valves. Twin knuckles. We recommend shutting off at marked location (OFF) when not in use.</p>	\$1,227	\$1,509	\$1,740	
	<p>2940-5603 Hot and Cold Water Dispenser 6.80" (17.3cm) spout height at outlet. 4.74" (12.0cm) spout reach (c-c). HOT WATER TANK #5-036 SOLD SEPARATELY.</p>	\$713	\$864	\$986	



2940-5623 Cold Water Dispenser
6.80" (17.3cm) spout height at outlet.
4.74" (12.0cm) spout reach (c-c).

\$511 \$647 \$746

6-027 Universal Contemporary Air Gap, Reverse Osmosis

\$184 \$216 \$228



2940-5613 Hot Water Dispenser
6.80" (17.3cm) spout height at outlet.
4.74" (12.0cm) spout reach (c-c).

\$628 \$793 \$916

HOT WATER TANK #5-036 SOLD SEPARATELY.



2940-5711 Air Gap Kit
IAPMO UPC® Listed.

\$146 \$191 \$227



2940-5721 Soap/Lotion Dispenser
Requires 1-1/4" to 1-11/16" through hole.
Accommodates 2-3/8" maximum deck thickness.

\$295 \$382 \$437

20-373 Soap/Lotion Replacement Head

\$180 \$231 \$266

125-8 Soap/Lotion Pump

\$55 — —

125-9 Soap/Lotion - Replacement Bottle

\$4 — —



2940-5811 Soft Touch Air Activated Disposer Switch
Plugs into a standard 120 VAC wall outlet.
Traditional Style.

\$282 \$382 \$437

VESPERA



KITCHEN

PULL DOWN FAUCETS | PREP/BAR FAUCETS

	<p>2500-5123 Pull-Down Kitchen Faucet 10.07" (25.6cm) spout height at outlet. 8.68" (22.0cm) spout reach (c-c). 17.79" overall height. 1.8 gallons (6.8 liters) per minute maximum flow rate.</p>	\$1,184	\$1,426	\$1,646
	<p>2500-5223 Prep/Bar Pull-Down Faucet 7.08" (18.0cm) spout height at outlet. 6.66" (16.9cm) spout reach (c-c). 13.71" overall height. 1.8 gallons (6.8 liters) per minute maximum flow rate.</p>	\$1,112	\$1,331	\$1,551
	<p>2500-5503 Pot Filler - Wall Mount 0.89" (2.4cm) spout downward offset from wall inlet center. 22.69" (57.5cm) pivoting spout reach from inlet valve (c-c). 3.55" (9.0cm) pivoting inlet valve offset (wall-center). Two shut off valves. Twin knuckles. We recommend shutting off at marked location (OFF) when not in use.</p>	\$1,396	\$1,714	\$1,975
	<p>2500-5623 Cold Water Dispenser 7.42" (18.8cm) spout height at outlet. 3.93" (10.0cm) spout reach (c-c).</p>	\$503	\$641	\$738
	<p>6-027 Universal Contemporary Air Gap, Reverse Osmosis</p>	\$184	\$216	\$228
	<p>2500-5613 Hot Water Dispenser 7.42" (18.8cm) spout height at outlet. 3.93" (10.0cm) spout reach (c-c).</p> <p>HOT WATER TANK #5-036 SOLD SEPARATELY.</p>	\$688	\$871	\$1,007
	<p>100 Air Gap Kit IAPMO UPC® listed.</p>	\$55	\$69	\$83



2500-5721	Soap/Lotion Dispenser Requires 1-1/4" to 1-11/16" through hole. Accommodates 2-1/4" maximum deck thickness.	\$295	\$382	\$437
20-405	Soap/Lotion Replacement Head	\$180	\$231	\$266
125-8	Soap/Lotion Pump	\$55	—	—
125-9	Soap/Lotion - Replacement Bottle	\$4	—	—

ZEMORA



PULL DOWN FAUCETS | PREP/BAR FAUCETS

	<p>3160-5103 Pull-Down Kitchen Faucet 10.44" (26.5cm) spout height at outlet. 8.59" (21.8cm) spout reach (c-c) 17.57" overall height. 1.8 gallons (6.8 liters) per minute maximum flow rate.</p>	<p>\$1,242</p>	<p>\$1,499</p>	<p>\$1,730</p>
	<p>3160-5203 Prep/Bar Pull-Down Faucet 8.31" (21.1cm) spout height at outlet. 7.48" (19.0cm) spout reach (c-c) 14.97" overall height. 1.8 gallons (6.8 liters) per minute maximum flow rate.</p>	<p>\$1,161</p>	<p>\$1,398</p>	<p>\$1,629</p>
	<p>3160-5503 Pot Filler - Wall Mount 4.37" (11.1cm) spout downward offset from the wall inlet center. 21.39" (54.3cm) pivoting spout reach from inlet valve (c-c). 3.51" (8.9cm) pivoting inlet valve offset (wall-center). Two shut off valves. Twin knuckles. We recommend shutting off at marked location (OFF) when not in use.</p>	<p>\$1,227</p>	<p>\$1,509</p>	<p>\$1,740</p>
	<p>3160-5603 Hot and Cold Water Dispenser 6.73" (17cm) spout height at outlet. 4.74" (12.0cm) spout reach (c-c). HOT WATER TANK #5-036 SOLD SEPARATELY</p>	<p>\$713</p>	<p>\$864</p>	<p>\$986</p>
	<p>3160-5623 Cold Water Dispenser 6.73" (17cm) spout height at outlet. 4.74" (12.0cm) spout reach (c-c).</p>	<p>\$511</p>	<p>\$647</p>	<p>\$746</p>
	<p>6-027 Universal Contemporary Air Gap, Reverse Osmosis</p>	<p>\$184</p>	<p>\$216</p>	<p>\$228</p>
	<p>3160-5613 Hot Water Dispenser 6.73" (17cm) spout height at outlet. 4.74" (12.0cm) spout reach (c-c). WATER TANK #5-036 SOLD SEPARATELY.</p>	<p>\$628</p>	<p>\$793</p>	<p>\$916</p>



3180-5711 Air Gap Kit
IAPMO UPC® listed.

\$146 \$191 \$227



3160-5811 Soft Touch Air Activated Disposer Switch
Plugs into a standard 120 VAC wall outlet.
Traditional Style.

\$282 \$382 \$437



3160-5721 Soap/Lotion Dispenser
Requires 1-1/4" to 1-11/16" through hole.
Accommodates 2-3/8" maximum deck thickness.

\$295 \$382 \$437

20-373 Soap/Lotion Replacement Head
125-8 Soap/Lotion Pump
125-9 Soap/Lotion - Replacement Bottle

\$180 \$231 \$266
\$55 — —
\$4 — —

PREP/BAR FAUCETS



	<p>1030-5223 Prep/Bar Pull Down Faucet 8.18" (20.8cm) spout height at outlet. 7.47" (19.0cm) spout reach (c-c). 14.83" overall height. 1.8 gallons (6.8 liters) per minute maximum flow rate. Matches Chesterfield Series.</p>	\$1,140	\$1,372	\$1,600
	<p>1200-5223 Prep/Bar Faucet 8.17" (20.8 cm) spout height at outlet. 6.55" (16.6 cm) spout reach (c-c). 14.21" overall height. 1.8 gallons (6.8 liters) per minute maximum flow rate. Matches Metropole Series.</p>	\$1,140	\$1,372	\$1,600
	<p>1500-5203 Prep/Bar Faucet 7.01" (17.8cm) spout height at outlet. 7.47" (19.0cm) spout reach (c-c). 13.66" overall height. 1.8 gallons (6.8 liters) per minute maximum flow rate. Matches East Linear Series.</p>	\$1,058	\$1,331	\$1,551
	<p>1500-5223 Prep/Bar Faucet 7.46" (18.9cm) spout height at outlet. 7.41" (18.8cm) spout reach (c-c). 13.67" overall height. 1.8 gallons (6.8 liters) per minute maximum flow rate. Matches East Linear Series.</p>	\$1,058	\$1,331	\$1,551
	<p>2470-5203 Prep/Bar Faucet 7.73" (19.7cm) spout height at outlet. 6.70" (17.0cm) spout reach (c-c). 9.99" overall height. 1.8 gallons (6.8 liters) per minute maximum flow rate. Matches Jacobean Series.</p>	\$969	\$1,237	\$1,439
	<p>2470-5223 Prep/Bar Pull Down Faucet 8.80" (22.4cm) spout height at outlet. 6.55" (16.6cm) spout reach (c-c). 14.84" overall height. 1.8 gallons (6.8 liters) per minute maximum flow rate. Matches Jacobean Series.</p>	\$1,058	\$1,331	\$1,551



2500-5223 Prep/Bar Pull-Down Faucet \$1,112 \$1,331 \$1,551
 7.08" (18.0cm) spout height at outlet.
 6.66" (16.9cm) spout reach (c-c).
 13.71" overall height.
 1.8 gallons (6.8 liters) per minute maximum flow rate.
 Matches Vespera Series.



2510-5203 Prep/Bar Faucet \$1,058 \$1,331 \$1,551
 6.21" (15.8cm) spout height at outlet.
 6.55" (16.6cm) spout reach (c-c).
 12.25" overall height.
 1.8 gallons (6.8 liters) per minute maximum flow rate.
 Matches Nadya Series.



2940-5223 Prep/Bar Pull-Down Faucet \$1,140 \$1,372 \$1,600
 8.18" (20.8cm) spout height at outlet.
 7.47" (19.0cm) spout reach (c-c).
 14.83" overall height.
 1.8 gallons (6.8 liters) per minute maximum flow rate.
 Matches Taft Series.



3160-5203 Prep/Bar Pull-Down Faucet \$1,161 \$1,398 \$1,629
 8.31" (21.1cm) spout height at outlet.
 7.48" (19.0cm) spout reach (c-c).
 14.97" overall height.
 1.8 gallons (6.8 liters) per minute maximum flow rate.
 Matches Zemora Series.



3170-5203 Prep/Bar Pull-Down Faucet \$1,161 \$1,398 \$1,629
 8.28" (21.0cm) spout height at outlet.
 7.47" (19.0 cm) spout reach (c-c).
 14.93" overall height
 1.8 gallons (6.8 liters) per minute maximum flow rate.
 Matches Adams Series.











3180-5223 Prep/Bar Pull-Down Faucet \$1,161 \$1,398 \$1,629
 8.69" (22.1cm) spout height at outlet.
 7.40" (18.8cm) spout reach (c-c)
 14.89" overall height.
 1.8 gallons (6.8 liters) per minute maximum flow rate.
 Matches Seager Series.











3190-5223 Prep/Bar Pull-Down Faucet \$1,161 \$1,398 \$1,629
 8.65" (22.0cm) spout height at outlet.
 7.40" (18.8cm) spout reach (c-c)
 14.85" overall height.
 1.8 gallons (6.8 liters) per minute maximum flow rate.
 Matches Heaney Series.

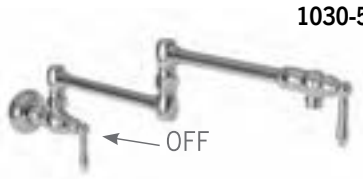


3200-5223 Prep/Bar Pull-Down Faucet \$1,161 \$1,398 \$1,629
 8.65" (22.0cm) spout height at outlet.
 7.40" (18.8cm) spout reach (c-c).
 14.85" overall height.
 1.8 gallons (6.8 liters) per minute maximum flow rate.
 Matches Jeter Series.

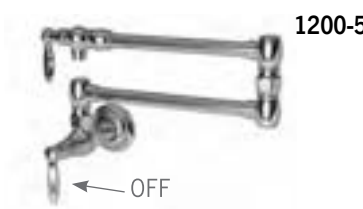
	3210-5203 Prep/Bar Pull-Down Faucet 8.24" (20.9cm) spout height at outlet. 7.47" (19.0 cm) spout reach (c-c). 14.89" overall height. 1.8 gallons (6.8 liters) per minute maximum flow rate. Matches Gavin Series.	\$1,161	\$1,398	\$1,629
	3290-5223 Prep/Bar Pull-Down Faucet 7.46 (18.9cm) spout height at outlet. 7.41 (18.8cm) spout reach (c-c). 13.67" overall height. 1.8 gallons (6.8 liters) per minute maximum flow rate. Matches Muncy Series.	\$1,161	\$1,398	\$1,629
	3310-5203 Prep/Bar Pull-Down Faucet 8.7" (22.1cm) spout height at outlet. 7.47" (19.0cm) spout reach (c-c) 15.36" overall height. 1.8 gallons (6.8 liters) per minute maximum flow rate. Matches Stripling Series.	\$1,161	\$1,398	\$1,629
	808 Prep/Bar Faucet 7.52" (19.1cm) spout height at outlet. 5.27" (13.4cm) spout reach (c-c). 10.83" overall height. For 4" (10.2cm) centers. 1.8 gallons (6.8 liters) per minute maximum flow rate. Matches Seaport Series.	\$621	\$751	\$876
	928 Prep/Bar Faucet 8.37" (21.3cm) spout height at outlet. 5.27" (13.4cm) spout reach (c-c). 11.68" overall height. 1.8 gallons (6.8 liters) per minute maximum flow rate. Matches Chesterfield Series.	\$896	\$1,185	\$1,376
	938 Prep/Bar Faucet 5.23" (13.3cm) spout height at outlet. 6.95" (17.7cm) spout reach (c-c). 7.97" overall height. 1.8 gallons (6.8 liters) per minute maximum flow rate. Matches Chesterfield Series.	\$943	\$1,248	\$1,450
	1008 Prep/Bar Faucet 7.12" (18.1cm) spout height at outlet. 8.45" (21.4cm) spout reach (c-c). 11.01" overall height. 1.8 gallons (6.8 liters) per minute maximum flow rate. Matches Fairfield Series.	\$943	\$1,248	\$1,450
	1038 Prep/Bar Faucet 10" (25.4cm) spout height at outlet. 5.27" (13.4cm) spout reach (c-c). 13.31" overall height. 1.8 gallons (6.8 liters) per minute maximum flow rate. Matches Chesterfield Series.	\$896	\$1,185	\$1,376

	1208	Prep/Bar Faucet 10" (25.4cm) spout height at outlet. 5.27" (13.4cm) spout reach (c-c). 13.31" overall height. 1.8 gallons (6.8 liters) per minute maximum flow rate. Matches Metropole Series.	\$896	\$1,185	\$1,376
	1508	Prep/Bar Faucet 7.92" (20.1cm) spout height at outlet. 4.03" (10.2cm) spout reach (c-c). 13.10" overall height. 1.2 gallons (4.5 liters) per minute maximum flow rate. Drains not included. For lavatory sink drains, see Brasstech # 330, 3301, 3302, or 3303. For bar sink drains, see #130 or 131. Matches East Linear Series.	\$987	\$1,329	\$1,594
	1628	Prep/Bar Faucet 10" (25.4cm) spout height at outlet. 5.27" (13.4cm) spout reach (c-c). 13.31" overall height. 1.8 gallons (6.8 liters) per minute maximum flow rate. Matches Miro Series.	\$896	\$1,185	\$1,376
	1668	Prep/Bar Faucet 10" (25.4cm) spout height at outlet. 5.27" (13.4cm) spout reach (c-c). 13.31" overall height. 1.8 gallons (6.8 liters) per minute maximum flow rate.	\$896	\$1,185	\$1,376
	2007	Prep/Bar Faucet 7.41" (18.8cm) spout height at outlet. 6.13" (15.6cm) spout reach (c-c). 10.91" overall height. 1.8 gallons (6.8 liters) per minute maximum flow rate. Matches East Square Series.	\$933	\$1,236	\$1,433
	2008	Prep/Bar Faucet 7.42" (18.8cm) spout height at outlet. 7.13" (18.1cm) spout reach (c-c). 12.98" overall height. 1.8 gallons (6.8 liters) per minute maximum flow rate. Matches East Linear Series.	\$933	\$1,236	\$1,433
	8081	Prep/Bar Faucet 10" (25.4cm) spout height at outlet. 5.27" (13.4cm) spout reach (c-c). 13.31" overall height. 1.8 gallons (6.8 liters) per minute maximum flow rate. Matches Seaport Series.	\$943	\$1,248	\$1,450
	9281	Prep/Bar Faucet 10" (25.4cm) spout height at outlet. 5.27" (13.4cm) spout reach (c-c). 13.31" overall height. 1.8 gallons (6.8 liters) per minute maximum flow rate. Matches Chesterfield Series.	\$896	\$1,185	\$1,376

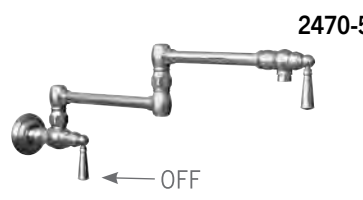
POT FILLERS



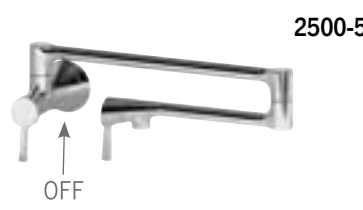
1030-5503 Pot Filler - Wall Mount \$1,227 \$1,509 \$1,740
 4.57" (11.6cm) spout downward offset from the wall inlet center.
 21.19" (53.8cm) pivoting spout reach from inlet valve (c-c).
 3.51" (8.9cm) pivoting inlet valve offset (wall-center).
 Two shut off valves. Twin knuckles.
 We recommend shutting off at marked location (OFF) when not in use.
 Matches Chesterfield Series.



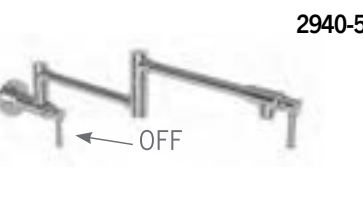
1200-5503 Pot Filler - Wall Mount \$1,227 \$1,509 \$1,740
 4.57" (11.6cm) spout downward offset from the wall inlet center.
 21.19" (53.8cm) pivoting spout reach from inlet valve (c-c).
 3.51" (8.9cm) pivoting inlet valve offset (wall-center).
 Two shut off valves. Twin knuckles.
 We recommend shutting off at marked location (OFF) when not in use.
 Matches Metropole Series.



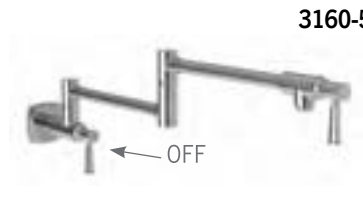
2470-5503 Pot Filler - Wall Mount \$1,067 \$1,469 \$1,762
 4.57" (11.6cm) spout downward offset from the wall inlet center.
 21.19" (53.8cm) pivoting spout reach from inlet valve (c-c).
 3.51" (8.9cm) pivoting inlet valve offset (wall-center).
 Two shut off valves. Twin knuckles.
 We recommend shutting off at marked location (OFF) when not in use.
 Matches Jacobean Series.




2500-5503 Pot Filler - Wall Mount \$1,396 \$1,714 \$1,975
 0.89" (2.4cm) spout downward offset from wall inlet center.
 22.69" (57.5cm) pivoting spout reach from inlet valve (c-c).
 3.55" (9.0cm) pivoting inlet valve offset (wall-center).
 Two shut off valves. Twin knuckles.
 We recommend shutting off at marked location (OFF) when not in use.
 Matches Vespera Series.




2940-5503 Pot Filler - Wall Mount \$1,227 \$1,509 \$1,740
 4.37" (11.1cm) spout downward offset from wall inlet center.
 21.39" (54.3cm) pivoting spout reach from inlet valve (c-c).
 3.54" (9.0cm) pivoting inlet valve offset (wall-center).
 Two shut off valves. Twin knuckles.
 We recommend shutting off at marked location (OFF) when not in use.
 Matches Taft Series.




3160-5503 Pot Filler - Wall Mount \$1,227 \$1,509 \$1,740
 4.37" (11.1cm) spout downward offset from the wall inlet center.
 21.39" (54.3cm) pivoting spout reach from inlet valve (c-c).
 3.51" (8.9cm) pivoting inlet valve offset (wall-center).
 Two shut off valves. Twin knuckles.
 We recommend shutting off at marked location (OFF) when not in use.
 Matches Zemora Series.




3170-5503 Pot Filler - Wall Mount \$1,227 \$1,509 \$1,740
 4.37" (11.1cm) spout downward offset from wall inlet center.
 21.39" (54.3cm) pivoting spout reach from inlet valve (c-c).
 3.51" (8.9cm) pivoting inlet valve offset (wall-center).
 Two shut off valves. Twin knuckles.
 We recommend shutting off at marked location (OFF) when not in use.
 Matches Adams Series.




3180-5503 Pot Filler - Wall Mount \$1,227 \$1,509 \$1,740
 4.37" (11.1cm) spout downward offset from the wall inlet center.
 21.39" (54.3cm) pivoting spout reach from inlet valve (c-c).
 3.51" (9.0cm) pivoting inlet valve offset (wall-center).
 Two shut off valves. Twin knuckles.
 We recommend shutting off at marked location (OFF) when not in use.
 Matches Seager Series.




3190-5503 Pot Filler - Wall Mount \$1,227 \$1,509 \$1,740
 4.37" (11.1cm) spout downward offset from the wall inlet center.
 21.39" (54.3cm) pivoting spout reach from inlet valve (c-c).
 3.51" (8.9cm) pivoting inlet valve offset (wall-center).
 Two shut off valves. Twin knuckles.
 We recommend shutting off at marked location (OFF) when not in use.
 Matches Heaney Series.



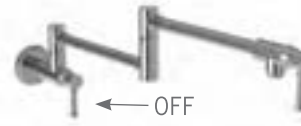
3200-5503 Pot Filler - Wall Mount \$1,227 \$1,509 \$1,740
 4.37" (11.1cm) spout downward offset from wall inlet center.
 21.39" (54.3cm) pivoting spout reach from inlet valve (c-c).
 3.51" (8.9cm) pivoting inlet valve offset (wall-center).
 Two shut off valves. Twin knuckles.
 We recommend shutting off at marked location (OFF) when not in use.
 Matches Jeter Series.




3210-5503 Pot Filler - Wall Mount \$1,227 \$1,509 \$1,740
 4.37" (11.1cm) spout downward offset from wall inlet center.
 21.39" (54.3cm) pivoting spout reach from inlet valve (c-c).
 3.51" (8.9cm) pivoting inlet valve offset (wall-center).
 Two shut off valves. Twin knuckles.
 We recommend shutting off at marked location (OFF) when not in use.
 Matches Gavin Series.



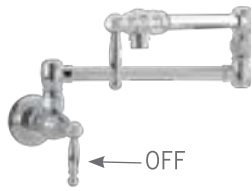
3290-5503 Pot Filler - Wall Mount \$1,227 \$1,509 \$1,740
 4.35" (11.0cm) spout downward offset from wall inlet center.
 21.39" (54.3cm) pivoting spout reach from inlet valve (c-c).
 3.51" (8.9cm) pivoting inlet valve offset (wall-center).
 Two shut off valves. Twin knuckles.
 We recommend shutting off at marked location (OFF) when not in use.
 Matches Muncy Series.



3310-5503 Pot Filler - Wall Mount \$1,227 \$1,509 \$1,740
 4.38" (11.1cm) spout downward offset from the wall inlet center.
 21.39" (54.3cm) pivoting spout reach from inlet valve (c-c).
 3.51" (9.0cm) pivoting inlet valve offset (wall-center).
 Two shut off valves. Twin knuckles.
 We recommend shutting off at marked location (OFF) when not in use.
 Matches Stripling Series.

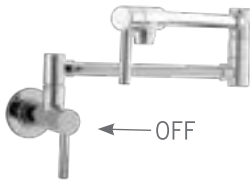


9481 Pot Filler - Wall Mount \$1,067 \$1,469 \$1,762
 4.57" (11.6cm) spout height from wall inlet center.
 21.19" (53.8cm) pivoting spout reach from inlet valve (c-c).
 3.51" (8.9cm) pivoting inlet valve offset (wall-center).
 Two shut off valves. Twin knuckles.
 We recommend shutting off at marked location (OFF) when not in use.
 Matches Chesterfield Series.



9482

Pot Filler - Wall Mount \$1,067 \$1,469 \$1,762
 4.57" (11.6cm) spout height from wall inlet center.
 21.19" (53.8cm) pivoting spout reach from inlet valve (c-c).
 3.51" (8.9cm) pivoting inlet valve offset (wall-center).
 Two shut off valves. Twin knuckles.
 We recommend shutting off at marked location (OFF) when not in use.
 Matches Nadya Series.



9485

Pot Filler - Wall Mount \$1,067 \$1,469 \$1,762
 4.37" (11.1cm) spout height from wall inlet center.
 21.39" (54.3cm) pivoting spout reach from inlet valve (c-c).
 3.54" (9.0cm) pivoting inlet valve offset (wall-center).
 Two shut off valves. Twin knuckles
 We recommend shutting off at marked location (OFF) when not in use.
 Matches East Linear Series.

WATER DISPENSERS



1030-5603 Hot and Cold Water Dispenser \$713 \$864 \$986
 6.57" (16.7cm) spout height at outlet.
 4.8" (12.2cm) spout reach (c-c).
 HOT WATER TANK #5-036 SOLD SEPARATELY.
 Matches Chesterfield Series.



1030-5623 Cold Water Dispenser \$511 \$647 \$746
 6.57" (16.7cm) spout height at outlet.
 4.8" (12.2cm) spout reach (c-c).
 Matches Chesterfield Series.



6-028 Universal Traditional Air Gap, Reverse Osmosis \$184 \$216 \$228



1030-5613 Hot Water Dispenser \$628 \$793 \$916
 6.57" (16.7cm) spout height at outlet.
 4.8" (12.2cm) spout reach (c-c).
 WATER TANK #5-036 SOLD SEPARATELY.
 Matches Chesterfield Series.



1200-5603 Hot and Cold Water Dispenser \$680 \$838 \$958
 7.36" (18.7cm) spout height at outlet.
 4.74" (12.0cm) spout reach (c-c).
 HOT WATER TANK #5-036 SOLD SEPARATELY
 Matches Metropole Series.














1200-5623 Cold Water Dispenser \$511 \$647 \$746
 7.36" (18.7cm) spout height at outlet.
 4.74" (12.0cm) spout reach (c-c).
 Matches Metropole Series.
























6-027 Universal Contemporary Air Gap, Reverse Osmosis \$184 \$216 \$228



1200-5613 Hot Water Dispenser \$628 \$793 \$916
 7.36" (18.7cm) spout height at outlet.
 4.74" (12.0cm) spout reach (c-c).
 HOT WATER TANK #5-036 SOLD SEPARATELY.
 Matches Metropole Series.

	2470-5603 Hot and Cold Water Dispenser 6.73" (17.0cm) spout height at outlet. 4.74" (12.0cm) spout reach (c-c). HOT WATER TANK #5-036 SOLD SEPARATELY. Matches Jacobean Series.	\$653	\$815	\$943
	2470-5623 Cold Water Dispenser 6.73" (17.0cm) spout height at outlet. 4.74" (12.0cm) spout reach (c-c). Matches Jacobean Series.	\$405	\$504	\$569
	6-028 Universal Traditional Air Gap, Reverse Osmosis	\$184	\$216	\$228
	2470-5613 Hot Water Dispenser 6.73" (17.0cm) spout height at outlet. 4.74" (12.0cm) spout reach (c-c). HOT WATER TANK #5-036 SOLD SEPARATELY. Matches Jacobean Series.	\$578	\$756	\$836
	2500-5623 Cold Water Dispenser 7.42" (18.8cm) spout height at outlet. 3.93" (10.0cm) spout reach (c-c). Matches Vespera Series.	\$503	\$641	\$738
	6-027 Universal Contemporary Air Gap, Reverse Osmosis	\$184	\$216	\$228
	2500-5613 Hot Water Dispenser 7.42" (18.8cm) spout height at outlet. 3.93" (10.0cm) spout reach (c-c). HOT WATER TANK #5-036 SOLD SEPARATELY. Matches Vespera Series.	\$688	\$871	\$1,007
	2940-5603 Hot and Cold Water Dispenser 6.80" (17.3cm) spout height at outlet. 4.74" (12.0cm) spout reach (c-c). HOT WATER TANK #5-036 SOLD SEPARATELY. Matches Taft Series.	\$713	\$864	\$986
	2940-5623 Cold Water Dispenser 6.80" (17.3cm) spout height at outlet. 4.74" (12.0cm) spout reach (c-c). Matches Taft Series.	\$511	\$647	\$746
	6-027 Universal Contemporary Air Gap, Reverse Osmosis	\$184	\$216	\$228
	2940-5613 Hot Water Dispenser 6.80" (17.3cm) spout height at outlet. 4.74" (12.0cm) spout reach (c-c). HOT WATER TANK #5-036 SOLD SEPARATELY. Matches Taft Series.	\$628	\$793	\$916

	3160-5603 Hot and Cold Water Dispenser 6.73" (17cm) spout height at outlet. 4.74" (12.0 cm) spout reach (c-c). HOT WATER TANK #5-036 SOLD SEPARATELY. Matches Zemora Series.	\$713	\$864	\$986
	3160-5623 Cold Water Dispenser 6.73" (17cm) spout height at outlet. 4.74" (12.0cm) spout reach c-c. Matches Zemora Series.	\$511	\$647	\$746
	6-027 Universal Contemporary Air Gap, Reverse Osmosis	\$184	\$216	\$228
	3160-5613 Hot Water Dispenser 6.73" (17cm) spout height at outlet. 4.74" (12.0cm) spout reach (c-c). HOT WATER TANK #5-036 SOLD SEPARATELY. Matches Zemora Series.	\$628	\$793	\$916
	3170-5603 Hot and Cold Water Dispenser 6.73" (17cm) spout height at outlet. 4.74" (12.0 cm) spout reach (c-c). HOT WATER TANK #5-036 SOLD SEPARATELY. Matches Adams Series.	\$713	\$864	\$986
	3170-5623 Cold Water Dispenser 6.73" (17cm) spout height at outlet. 4.74" (12.0cm) spout reach c-c. Matches Adams Series.	\$511	\$647	\$746
	6-028 Universal Traditional Air Gap, Reverse Osmosis	\$184	\$216	\$228
	3170-5613 Hot Water Dispenser 6.73" (17cm) spout height at outlet. 4.74" (12.0cm) spout reach (c-c). HOT WATER TANK #5-036 SOLD SEPARATELY. Matches Adams Series.	\$628	\$793	\$916
	3180-5603 Hot and Cold Water Dispenser 6.35" (16.1cm) spout height at outlet. 4" (10.2 cm) spout reach (c-c). HOT WATER TANK #5-036 SOLD SEPARATELY. Matches Seager Series.	\$713	\$864	\$986
	3180-5623 Cold Water Dispenser 6.35" (16.1cm) spout height at outlet. 4" (10.2cm) spout reach c-c. Matches Seager Series.	\$511	\$647	\$746
	6-027 Universal Contemporary Air Gap, Reverse Osmosis	\$184	\$216	\$228

	3180-5613 Hot Water Dispenser 6.35" (16.1cm) spout height at outlet. 4" (10.2cm) spout reach (c-c). WATER TANK #5-036 SOLD SEPARATELY. Matches Seager Series.	\$628	\$793	\$916
	3190-5603 Hot and Cold Water Dispenser 6.35" (16.1cm) spout height at outlet. 4" (10.2 cm) spout reach (c-c). HOT WATER TANK #5-036 SOLD SEPARATELY. Matches Heaney Series.	\$713	\$864	\$986
	3190-5623 Cold Water Dispenser 6.35" (16.1cm) spout height at outlet. 4" (10.2cm) spout reach c-c. Matches Heaney Series.	\$511	\$647	\$746
	6-027 Universal Contemporary Air Gap, Reverse Osmosis	\$184	\$216	\$228
	3190-5613 Hot Water Dispenser 6.35" (16.1cm) spout height at outlet. 4" (10.2cm) spout reach (c-c). HOT WATER TANK #5-036 SOLD SEPARATELY. Matches Heaney Series.	\$628	\$793	\$916
	3200-5603 Hot and Cold Water Dispenser 6.35" (16.1cm) spout height at outlet. 4" (10.2 cm) spout reach (c-c). HOT WATER TANK #5-036 SOLD SEPARATELY. Matches Jeter Series.	\$713	\$864	\$986
	3200-5623 Cold Water Dispenser 6.35" (16.1cm) spout height at outlet. 4" (10.2cm) spout reach (c-c). Matches Jeter Series.	\$511	\$647	\$746
	6-027 Universal Contemporary Air Gap, Reverse Osmosis	\$184	\$216	\$228
	3200-5613 Hot Water Dispenser 6.35" (16.1cm) spout height at outlet. 4" (10.2cm) spout reach (c-c). HOT WATER TANK #5-036 SOLD SEPARATELY. Matches Jeter Series.	\$628	\$793	\$916
	3210-5603 Hot and Cold Water Dispenser 6.73" (17cm) spout height at outlet. 4.74" (12.0 cm) spout reach (c-c). HOT WATER TANK #5-036 SOLD SEPARATELY. Matches Gavin Series.	\$713	\$864	\$986



3210-5623 Cold Water Dispenser \$511 \$647 \$746
 6.73" (17cm) spout height at outlet.
 4.74" (12.0cm) spout reach (c-c).
 Matches Gavin Series.

6-028 Universal Traditional Air Gap, Reverse Osmosis \$184 \$216 \$228



3210-5613 Hot Water Dispenser \$628 \$793 \$916
 6.73" (17cm) spout height at outlet.
 4.74" (12.0cm) spout reach (c-c).
 HOT WATER TANK #5-036 SOLD SEPARATELY.
 Matches Gavin Series.



3290-5603 Hot and Cold Water Dispenser \$713 \$864 \$986
 6.35" (16.1cm) spout height at outlet.
 4" (10.2cm) spout reach (c-c).
 HOT WATER TANK #5-036 SOLD SEPARATELY.
 Matches Muncy Series.



3290-5623 Cold Water Dispenser \$511 \$647 \$746
 6.35" (16.1cm) spout height at outlet.
 4" (10.2cm) spout reach (c-c).
 Matches Muncy Series.

6-027 Universal Contemporary Air Gap, Reverse Osmosis \$184 \$216 \$228



3290-5613 Hot Water Dispenser \$628 \$793 \$916
 6.35" (16.1cm) spout height at outlet.
 4" (10.2cm) spout reach (c-c).
 HOT WATER TANK #5-036 SOLD SEPARATELY.
 Matches Muncy Series.



3310-5603 Hot and Cold Water Dispenser \$713 \$864 \$986
 7" (17.8cm) spout height at outlet.
 4.74" (12.0cm) spout reach (c-c).
 HOT WATER TANK #5-036 SOLD SEPARATELY
 Matches Stripling Series.














3310-5623 Cold Water Dispenser \$511 \$647 \$746
 7" (17.8cm) spout height at outlet.
 4.74" (12.0cm) spout reach (c-c).
 Matches Stripling Series.

6-027 Universal Contemporary Air Gap, Reverse Osmosis \$184 \$216 \$228



3310-5613 Hot Water Dispenser \$628 \$793 \$916
 7" (17.8cm) spout height at outlet.
 4.74" (12.0cm) spout reach (c-c).
 WATER TANK #5-036 SOLD SEPARATELY.
 Matches Stripling Series.

	106	Hot and Cold Water Dispenser 6.28" (16cm) spout height at outlet. 4" (10.2cm) spout reach (c-c). HOT WATER TANK #5-036 SOLD SEPARATELY. Matches East Linear & East Square Series.	\$653	\$776	\$895
	106C	Cold Water Dispenser 6.28" (16cm) spout height at outlet. 4" (10.2cm) spout reach (c-c). Matches East Linear & East Square Series.	\$412	\$500	\$553
	6-027	Universal Contemporary Air Gap, Reverse Osmosis	\$184	\$216	\$228
	106H	Hot Water Dispenser 6.28" (16cm) spout height at outlet. 4" (10.2cm) spout reach (c-c). HOT WATER TANK #5-036 SOLD SEPARATELY. Matches East Linear & East Square Series.	\$564	\$685	\$790
	107	Hot and Cold Water Dispenser 6.57" (16.7cm) spout height at outlet. 4.8" (12.2cm) spout reach (c-c). HOT WATER TANK #5-036 SOLD SEPARATELY.	\$653	\$776	\$895
	107C	Cold Water Dispenser 6.57" (16.7cm) spout height at outlet. 4.8" (12.2cm) spout reach (c-c).	\$412	\$500	\$553
	6-028	Universal Traditional Air Gap, Reverse Osmosis	\$184	\$216	\$228
	107H	Hot Water Dispenser 6.57" (16.7cm) spout height at outlet. 4.8" (12.2cm) spout reach (c-c). HOT WATER TANK #5-036 SOLD SEPARATELY.	\$564	\$685	\$790
	108	Hot and Cold Water Dispenser 5.82" (14.8cm) spout height at outlet. 5.18" (13.2cm) spout reach (c-c). HOT WATER TANK #5-036 SOLD SEPARATELY.	\$691	\$822	\$946
	108C	Cold Water Dispenser 5.82" (14.8cm) spout height at outlet. 5.18" (13.2cm) spout reach (c-c).	\$415	\$517	\$586
	6-028	Universal Traditional Air Gap, Reverse Osmosis	\$184	\$216	\$228



108H Hot Water Dispenser \$596 \$758 \$872
 5.82" (14.8cm) spout height at outlet.
 5.18" (13.2cm) spout reach (c-c).

HOT WATER TANK #5-036 SOLD SEPARATELY.



5-036 Hot Water Tank \$641 — —
 Use with parts 106, 106H, 107, 107H, 108, 108H, 1030-5603, 1030-5613, 1200-5603, 1200-5613, 2470-5603, 2470-5613, 2500-5613, 2940-5603, 2940-5613, 3160-5603, 3160-5613, 3170-5603, 3170-5613, 3180-5603, 3180-5613, 3910-5603, 3190-5613, 3200-5603, 3200-5613, 3210-5603, 3210-5613, 3290-5603, 3290-5613, 3310-5603, 3310-5613.

Supplies 60 cups per hour capacity. Temperature range is 140° F to 200° F, 120 volts. Non-Finished Item.

KITCHEN ACCESSORIES



	<p>1030-5711 Air Gap Kit IAPMO UPC® listed.</p> <p>Matches Chesterfield & Stripling Series.</p>	\$146	\$191	\$227
	<p>100 Air Gap Kit IAPMO UPC® listed.</p> <p>Matches East Linear & East Square Series.</p>	\$55	\$69	\$83
	<p>2470-5711 Air Gap Kit IAPMO UPC® listed.</p> <p>Matches Jacobean Series.</p>	\$146	\$191	\$227
	<p>2940-5711 Air Gap Kit IAPMO UPC® Listed.</p> <p>Matches Taft Series.</p>	\$146	\$191	\$227
	<p>3180-5711 Air Gap Kit IAPMO UPC® Listed</p> <p>Matches Adams, Gavin, Heaney, Jeter, Metropole, Muncy, Seager & Zemora Series.</p>	\$146	\$191	\$227
	<p>103 Faucet Hole Cover. 2" diameter. Solid top. For covering unused hole in sink.</p>	\$39	\$48	\$55



111 Soft Touch Air Activated Disposer Switch.
Plugs into a standard 120 VAC wall outlet.

\$220 \$239 \$287



1500-5811 Soft Touch Air Activated Disposer Switch
Plugs into a standard 120 VAC wall outlet.
Contemporary Style.
Matches East Linear and Seager Series.

\$282 \$382 \$437



2470-5811 Soft Touch Air Activated Disposer Switch
Plugs into a standard 120 VAC wall outlet.
Traditional Style.
Matches Jacobean and Stripling Series.

\$282 \$382 \$437



2940-5811 Soft Touch Air Activated Disposer Switch
Plugs into a standard 120 VAC wall outlet.
Traditional Style.
Matches Taft Series.

\$282 \$382 \$437



3160-5811 Soft Touch Air Activated Disposer Switch
Plugs into a standard 120 VAC wall outlet.
Traditional Style.
Matches Zemora Series.

\$282 \$382 \$437



3170-5811 Soft Touch Air Activated Disposer Switch
Plugs into a standard 120 VAC wall outlet.
Traditional Style.
Matches Adams Series.

\$282 \$382 \$437



3190-5811 Soft Touch Air Activated Disposer Switch
Plugs into a standard 120 VAC wall outlet.
Transitional Style.
Matches Heaney and Metropole Series.


\$282 \$382 \$437



3210-5811 Soft Touch Air Activated Disposer Switch
Plugs into a standard 120 VAC wall outlet.
Traditional Style.
Matches Gavin Series.

\$282 \$382 \$437









	3290-5811	Soft Touch Air Activated Disposer Switch Plugs into a standard 120 VAC wall outlet. Industrial Style. Matches Muncy Series.	\$282	\$382	\$437
	124	Soap/Lotion Dispenser Includes 2 Porcelain Inserts Soap & Lotion. Requires 1-1/4" to 1-11/16" through hole. Accommodates 2-1/4" maximum deck thickness.	\$226	\$290	\$345
	124-6	Soap/Lotion Replacement Head with Pump	\$160	\$202	\$229
	50931	Soap/Lotion Pump	\$27	—	—
	125-9	Soap/Lotion - Replacement Bottle	\$4	—	—
	125	Soap/Lotion Dispenser Requires 1-1/4" to 1-11/16" through hole. Accommodates 2-1/4" maximum deck thickness.	\$204	\$261	\$305
	125-6	Soap/Lotion Replacement Head with Pump	\$130	\$171	\$193
	50931	Soap/Lotion Pump	\$27	—	—
	125-9	Soap/Lotion - Replacement Bottle	\$4	—	—
	127	Soap/Lotion Dispenser Requires 1-1/4" to 1-11/16" through hole. Accommodates 2-1/4" maximum deck thickness.	\$226	\$290	\$345
	127-6	Soap/Lotion Replacement Head with Pump	\$152	\$193	\$218
	50931	Soap/Lotion Pump	\$27	—	—
	125-9	Soap/Lotion - Replacement Bottle	\$4	—	—
	1030-5721	Soap/Lotion Dispenser Requires 1-1/4" to 1-11/16" through hole. Accommodates 2-3/8" maximum deck thickness.	\$295	\$382	\$437
	20-374	Soap/Lotion Replacement Head	\$180	\$231	\$266
	125-8	Soap/Lotion Pump	\$55	—	—
	125-9	Soap/Lotion - Replacement Bottle	\$4	—	—
		Matches Chesterfield Series.			
	1500-5721	Soap/Lotion Dispenser Requires 1-1/4" to 1-11/16" through hole. Accommodates 2-3/8" maximum deck thickness.	\$295	\$382	\$437
	20-373	Soap/Lotion Replacement Head	\$180	\$231	\$266
	125-8	Soap/Lotion Pump	\$55	—	—
	125-9	Soap/Lotion - Replacement Bottle	\$4	—	—
		Matches East Linear Series.			
	2470-5721	Soap/Lotion Dispenser Requires 1-1/4" to 1-11/16" through hole. Accommodates 2-7/16" maximum deck thickness.	\$295	\$382	\$437
	20-374	Soap/Lotion Replacement Head	\$180	\$231	\$266
	125-8	Soap/Lotion Pump	\$55	—	—
	125-9	Soap/Lotion - Replacement Bottle	\$4	—	—
		Matches Jacobean Series.			
	2500-5721	Soap/Lotion Dispenser Requires 1-1/4" to 1-11/16" through hole. Accommodates 2-1/4" maximum deck thickness.	\$295	\$382	\$437
	20-405	Soap/Lotion Replacement Head	\$180	\$231	\$266
	125-8	Soap/Lotion Pump	\$55	—	—
	125-9	Soap/Lotion - Replacement Bottle	\$4	—	—
		Matches Vespera Series.			

	2940-5721	Soap/Lotion Dispenser Requires 1-1/4" to 1-11/16" through hole. Accommodates 2-3/8" maximum deck thickness.	\$295	\$382	\$437
	20-374	Soap/Lotion Replacement Head	\$180	\$231	\$266
	125-8	Soap/Lotion Pump	\$55	—	—
	125-9	Soap/Lotion - Replacement Bottle	\$4	—	—
Matches Taft Series.					
	3160-5721	Soap/Lotion Dispenser Requires 1-1/4" to 1-11/16" through hole. Accommodates 2-3/8" maximum deck thickness.	\$295	\$382	\$437
	20-373	Soap/Lotion Replacement Head	\$180	\$231	\$266
	125-8	Soap/Lotion Pump	\$55	—	—
	125-9	Soap/Lotion - Replacement Bottle	\$4	—	—
Matches Zemora Series.					
	3170-5721	Soap/Lotion Dispenser Requires 1-1/4" to 1-11/16" through hole. Accommodates 2-3/8" maximum deck thickness.	\$295	\$382	\$437
	20-373	Soap/Lotion Replacement Head	\$180	\$231	\$266
	125-8	Soap/Lotion Pump	\$55	—	—
	125-9	Soap/Lotion - Replacement Bottle	\$4	—	—
Matches Adams Series.					
	3180-5721	Soap/Lotion Dispenser Requires 1-1/4" to 1-11/16" through hole. Accommodates 2-3/8" maximum deck thickness.	\$295	\$382	\$437
	20-373	Soap/Lotion Replacement Head	\$180	\$231	\$266
	125-8	Soap/Lotion Pump	\$55	—	—
	125-9	Soap/Lotion - Replacement Bottle	\$4	—	—
Matches Muncy & Seager Series.					
	3190-5721	Soap/Lotion Dispenser Requires 1-1/4" to 1-11/16" through hole. Accommodates 2-3/8" maximum deck thickness.	\$295	\$382	\$437
	20-373	Soap/Lotion Replacement Head	\$180	\$231	\$266
	125-8	Soap/Lotion Pump	\$55	—	—
	125-9	Soap/Lotion - Replacement Bottle	\$4	—	—
Matches Heaney Series.					
	3200-5721	Soap/Lotion Dispenser Requires 1-1/4" to 1-11/16" through hole. Accommodates 2-3/8" maximum deck thickness.	\$295	\$382	\$437
	20-373	Soap/Lotion Replacement Head	\$180	\$231	\$266
	125-8	Soap/Lotion Pump	\$55	—	—
	125-9	Soap/Lotion - Replacement Bottle	\$4	—	—
Matches Jeter Series.					
	3210-5721	Soap/Lotion Dispenser Requires 1-1/4" to 1-11/16" through hole. Accommodates 2-3/8" maximum deck thickness.	\$295	\$382	\$437
	20-374	Soap/Lotion Replacement Head	\$180	\$231	\$266
	125-8	Soap/Lotion Pump	\$55	—	—
	125-9	Soap/Lotion - Replacement Bottle	\$4	—	—
Matches Gavin Series.					
	3310-5721	Soap/Lotion Dispenser Requires 1-1/4" to 1-11/16" through hole. Accommodates 2-3/8" maximum deck thickness.	\$295	\$382	\$437
	20-373	Soap/Lotion Replacement Head	\$180	\$231	\$266
	125-8	Soap/Lotion Pump	\$55	—	—
	125-9	Soap/Lotion - Replacement Bottle	\$4	—	—
Matches Stripling Series.					

850	SEAPORT	PG 252
890	ALVESTON	PG 84
910/910C	ASTOR	PG 95
920/920C	ASTOR	PG 95
930	CHESTERFIELD	PG 117
980	AMISA	PG 90
990	EAST LINEAR	PG 138
1000	FAIRFIELD	PG 156
1020	AMISA	PG 90
1030	CHESTERFIELD	PG 117
1090	ALEXANDRIA	PG 80
1200/1200C	METROPOLE	PG 212
1220/1220C	METROPOLE	PG 212
1230/1230C	METROPOLE	PG 212
1400	EAST SQUARE	PG 148
1500	EAST LINEAR	PG 138
1600/1620	MIRO	PG 221
1740	BEVELLE	PG 112
1760/1770	VICTORIA	PG 302
2040/2060	SECANT	PG 258
2400/2410	AYLESBURY	PG 104
2420/2430	AYLESBURY	PG 104
2440/2450	SUTTON	PG 278
2460/2470	JACOBAN	PG 174
2480	PRIYA	PG 246
2490	KEATON	PG 187
2540	METRO	PG 205
2550	ITHACA	PG 168
2560/2560C	SKYLAR	PG 265
2570	JOFFREY	PG 182
2910	VANDER	PG 297
2920/2930	SLATER	PG 272
2950/2960	SLATER	PG 272
2940/2940C	TAFT	PG 285
2970/2980	DORRANCE	PG 132
2990/2990C	SKYLAR	PG 265
3100/3110	PAVANI	PG 240
3120	KIRSI	PG 193
3140/3150	MALVINA	PG 199
3230/3240	PARDEES	PG 234
3250/3260	CLEMENS	PG 126
3270/3280	GRIFFEY	PG 162
3290/3300	MUNCY	PG 228
3360/3370	MUNCY	PG 228
3320/3320C	TOLMIN	PG 290
3330/3330C	TOLMIN	PG 290
3380/3390	TOLMIN	PG 290
3400/3410	TOLMIN	PG 290

NEWPORT BRASS®

Bath

	1099	Bidet Set 1/2" valves. Includes Bottom Spray with vacuum breaker, 4 hole mount bidet.	\$1,995	\$2,795	\$3,356
	3-873TR	1/2" Thermostatic Trim Plate with Handles Integrated diverter handle with independent temperature control. MUST ORDER VALVE SEPARATELY.	\$587	\$789	\$905
	1-741	1/2" Thermostatic Rough-in Valve 1-Port	\$524	—	—
	1-742	1/2" Thermostatic Rough-in Valve 2-Port**	\$627	—	—
	1-743	1/2" Thermostatic Rough-in Valve 3-Port - Shared	\$686	—	—
	1-744	1/2" Thermostatic Rough-in Valve 3-Port**	\$686	—	—
	1-745	1/2" Thermostatic Rough-in Valve 2-Port - Shared	\$627	—	—
	1-741	See page 348 for more details.			
	20-146	1/2" Valve Trim Extension Kit Extends 1-3/8". Specify finish.	\$273	\$368	\$423
	3-874TR	3/4" Thermostatic Trim Plate with Handle MUST ORDER VALVE SEPARATELY.	\$503	\$653	\$754
	1-540	3/4" Thermostatic Rough-in Valve Flow rate of 18 gallons per minute at 60 PSI. Factory calibrated comfort setting at 100-deg F, built-in check valves with service stops. IAPMO Listed. Meets ASSE Standard 1016. MUST USE WITH SEPARATE STOP/VOLUME CONTROL	\$794	—	—
	2-260	3/4" Valve trim extension kit Extends 1-3/8". Please specify finish.	\$190	\$259	\$311
	3-248	Diverter/Flow Control Trim Use with stop or diverter valves, see page 355.	\$354	\$494	\$593

ALEXANDRIA - 1090



1-606U	1/2" inlet/outlet universal stop valve. (clockwise off, for cross or lever handle)	\$195	—	—
1-607U	3/4" inlet/outlet universal stop valve. (clockwise off, for cross or lever handle)	\$265	—	—



1-617	1/2" In-wall 2 & 3 way diverter valve 1 inlet, 3 outlets.**	\$279	—	—
--------------	----------------------------------------------------------------	-------	---	---

1/2" in-wall diverter valves* with:



*SEE PAGES 312-315
FOR HOW TO USE
THESE DIVERTERS.

1-701	3 function with off. 1 inlet, 3 outlets.**	\$334	—	—
1-702	5 function with share and off. 1 inlet, 3 outlets.	\$334	—	—
1-703	3 function with pause. 1 inlet, 3 outlets.**	\$334	—	—
1-704	2 function with off. 1 inlet, 2 outlets.**	\$334	—	—
1-705	3 function with share and off. 1 inlet, 2 outlets.	\$334	—	—
1-706	2 function with pause. 1 inlet, 2 outlets.**	\$334	—	—
1-707	3 function with share (no off). 1 inlet, 2 outlets.	\$334	—	—



22-01	18" Towel Bar	\$300	\$392	\$422
22-02	24" Towel Bar	\$314	\$408	\$444



22-09	Towel Ring	\$208	\$262	\$284
--------------	------------	-------	-------	-------



22-13	Double Robe Hook	\$190	\$247	\$265
--------------	------------------	-------	-------	-------



22-27	Single Post Toilet Tissue Holder	\$314	\$408	\$444
--------------	----------------------------------	-------	-------	-------



22-28 Tissue Holder \$314 \$408 \$444

HOW TO ORDER: **STEP 1:** Select Decorative Rings and Mounting Kit
STEP 2: Select Grab Bar Tube



STEP 1: 1020-2400 Decorative Rings and Mounting Kit \$160 \$218 \$274



STEP 2:
 5080 12" Grab Bar Tube \$140 \$206 \$230
 5081 16" Grab Bar Tube \$166 \$233 \$293
 5082 18" Grab Bar Tube \$187 \$260 \$285
 5083 24" Grab Bar Tube \$224 \$301 \$347
 5085 36" Grab Bar Tube \$330 \$410 \$485



1020-3942 42" Grab Bar \$599 \$781 \$944

Sold as complete unit



ALEXANDRIA - 1090

ALVESTON

890



LAVATORY FAUCETS | TUB & SHOWER | ACCESSORIES | GRAB BARS



890	Widespread Lavatory Faucet. 1/2" valves. Spout c-c 6.12". 8" centers.	\$926	\$1,252	\$1,507
------------	--------------------------------------------------------------------------	-------	---------	---------



3-922BP	BP Tub & Shower Set MUST ORDER VALVE SEPARATELY.	\$875	\$1,134	\$1,309
----------------	-----------------------------------------------------	-------	---------	---------



1-685	Newport Brass BP Valve with diverter, 4 port with service stops, universal 1/2" NPT & direct sweat connections.	\$384	—	—
--------------	-----------------------------------------------------------------------------------------------------------------	-------	---	---



5-922BP	BP Tub & Shower Trim Less tub spout, showerhead, arm and flange. MUST ORDER VALVE SEPARATELY.	\$450	\$586	\$677
----------------	-----------------------------------------------------------------------------------------------------	-------	-------	-------

1-685	Newport Brass BP Valve with diverter, 4 port with service stops, universal 1/2" NPT & direct sweat connections. See Shower & Drain Sections to complete shower.	\$384	—	—
--------------	-------------------------------------------------------------------------------------------------------------------------------------------------------------------------------	-------	---	---



3-924BP	BP Shower Set MUST ORDER VALVE SEPARATELY.	\$666	\$863	\$998
----------------	-----------------------------------------------	-------	-------	-------



1-684	Newport Brass BP Valve, 3 port with service stops, universal 1/2" NPT & direct sweat connections.	\$278	—	—
--------------	---------------------------------------------------------------------------------------------------	-------	---	---



4-924BP	BP Shower Trim Less showerhead, arm and flange. MUST ORDER VALVE SEPARATELY.	\$359	\$468	\$542
----------------	------------------------------------------------------------------------------------	-------	-------	-------

1-684	Newport Brass BP Valve, 3 port with service stops, universal 1/2" NPT & direct sweat connections. See Shower & Drain Sections to complete shower.	\$278	—	—
--------------	-----------------------------------------------------------------------------------------------------------------------------------------------------------------	-------	---	---



2-144	Tub Spout 1/2" NPT inlet fitting. 7.56" spout overall length.	\$230	\$312	\$358
--------------	---------------------------------------------------------------------	-------	-------	-------



3-925 Wall Mount Tub Faucet
MUST ORDER VALVES SEPARATELY. \$761 \$990 \$1,142

1-500U 2-valve rough with 1/2" NPT inlets & outlet. \$358 — —



3-896 Roman Tub Faucet
Spout c-c 9.44".
MUST ORDER VALVES SEPARATELY. \$1,036 \$1,350 \$1,559

1-506 3/4" valve for above, quick connect included. \$438 — —



3-897 Roman Tub Faucet with Handshower
Spout c-c 9.44".
MUST ORDER VALVES SEPARATELY. \$1,398 \$1,818 \$2,097

1-507 3/4" valve for above.
Includes hose and quick connect. \$883 — —



920-4272 Exposed Tub and Hand Shower Set - Deck Mount
7.25" centers. Spout c-c 9.11".
Includes: 281 Hand Shower \$1,805 \$2,300 \$2,795



920-4282 Exposed Tub and Hand Shower Set - Wall Mount
6" centers. Spout c-c 7".
Includes: 281 Hand Shower
Floor-mount kit item 3-196 or
3-226 sold separately. \$1,723 \$2,214 \$2,683



3-196 Floor Mount Kit for Exposed Tub Sets
Set includes: 2 each Floor Flanges
2 each 3/4" Risers - 31" high.
Stabilizer kit sold separately. \$637 \$888 \$1,066









3-226 Same as above only 24" high. \$612 \$855 \$1,029
3-192 3/4" Shut-off Valves for above (1 pair hot & cold). \$896 \$1,065 \$1,278



1-378 Optional Rough For Exposed Tub Filler
For subfloor or concrete floor installations.
3.65" overall height.
10.38" x 5" overall base size.
Universal 1/2" NPT connections. Test caps included.
For use with 3-196 or 3-226 tub risers. \$440 — —



2-734 Stabilizer Kit for Exposed Tub Floor Riser Kits
Adjustable for risers that are 6" to 9" apart.
Includes 1-1/2" finished ring for connecting kit to
tub overflow pipe. Finished plate for wall mounting
up to 10" center of riser pipes. \$314 \$406 \$435

	<p>929</p>	<p>Bidet Set 1/2" valves. Includes Bottom Spray, with vacuum breaker, 4 hole mount bidet.</p>	<p>\$1,585</p>	<p>\$2,217</p>	<p>\$2,662</p>
	<p>3-923TR</p>	<p>1/2" Thermostatic Trim Plate with Handles Integrated diverter handle with independent temperature control. MUST ORDER VALVE SEPARATELY.</p>	<p>\$587</p>	<p>\$789</p>	<p>\$905</p>
	<p>3-923TS</p>	<p>1/2" Thermostatic Trim Plate with Handles Integrated diverter handle with independent temperature control. MUST ORDER VALVE SEPARATELY.</p>	<p>\$628</p>	<p>\$834</p>	<p>\$960</p>
 <p>1-741</p>	<p>1-741</p>	<p>1/2" Thermostatic Rough-in Valve 1-Port</p>	<p>\$524</p>	<p>—</p>	<p>—</p>
	<p>1-742</p>	<p>1/2" Thermostatic Rough-in Valve 2-Port**</p>	<p>\$627</p>	<p>—</p>	<p>—</p>
	<p>1-743</p>	<p>1/2" Thermostatic Rough-in Valve 3-Port - Shared</p>	<p>\$686</p>	<p>—</p>	<p>—</p>
	<p>1-744</p>	<p>1/2" Thermostatic Rough-in Valve 3-Port**</p>	<p>\$686</p>	<p>—</p>	<p>—</p>
	<p>1-745</p>	<p>1/2" Thermostatic Rough-in Valve 2-Port - Shared</p>	<p>\$627</p>	<p>—</p>	<p>—</p>
		<p>See page 348 for more details.</p>			
	<p>20-146</p>	<p>1/2" Valve Trim Extension Kit Extends 1-3/8". Please specify finish.</p>	<p>\$273</p>	<p>\$368</p>	<p>\$423</p>
	<p>3-924TR</p>	<p>3/4" Thermostatic Trim Plate with Handle MUST ORDER VALVE SEPARATELY.</p>	<p>\$480</p>	<p>\$624</p>	<p>\$719</p>
	<p>1-540</p>	<p>3/4" Thermostatic Rough-in Valve Flow rate of 18 gallons per minute at 60 PSI. Factory calibrated comfort setting at 100-deg F, built-in check valves with service stops. IAPMO Listed. Meets ASSE Standard 1016. MUST USE WITH SEPARATE STOP/VOLUME CONTROL</p>	<p>\$794</p>	<p>—</p>	<p>—</p>
	<p>2-260</p>	<p>3/4" Valve trim extension kit Extends 1-3/8". Please specify finish.</p>	<p>\$190</p>	<p>\$259</p>	<p>\$311</p>



3-163	Diverter/Flow Control Trim. Arrow insert.	\$210	\$293	\$353
3-163B	Diverter/Flow Control Trim. Plain insert.	\$210	\$293	\$353

Use with stop or diverter valves, see page 355.



1-606U	1/2" inlet/outlet universal stop valve. (clockwise off, for cross or lever handle)	\$195	—	—
1-607U	3/4" inlet/outlet universal stop valve. (clockwise off, for cross or lever handle)	\$265	—	—



1-617	1/2" In-wall 2 & 3 way diverter valve 1 inlet, 3 outlets.**	\$279	—	—
--------------	----------------------------------------------------------------	-------	---	---

1/2" in-wall diverter valves* with:



*SEE PAGES 312-315
FOR HOW TO USE
THESE DIVERTERS.

1-701	3 function with off. 1 inlet, 3 outlets.**	\$334	—	—
1-702	5 function with share and off. 1 inlet, 3 outlets.	\$334	—	—
1-703	3 function with pause. 1 inlet, 3 outlets.**	\$334	—	—
1-704	2 function with off. 1 inlet, 2 outlets.**	\$334	—	—
1-705	3 function with share and off. 1 inlet, 2 outlets.	\$334	—	—
1-706	2 function with pause. 1 inlet, 2 outlets.**	\$334	—	—
1-707	3 function with share (no off). 1 inlet, 2 outlets.	\$334	—	—



890-1230	18" Towel Bar	\$208	\$253	\$304
890-1250	24" Towel Bar	\$227	\$269	\$324



890-1400	Towel Ring - Open	\$192	\$230	\$277
-----------------	-------------------	-------	-------	-------



890-1410	Towel Ring	\$154	\$185	\$222
-----------------	------------	-------	-------	-------

ALVESTON - 890



890-1650 Single Robe Hook

\$68 \$83 \$99



890-1660 Double Robe Hook

\$138 \$166 \$199



890-1510 Hanging Toilet Tissue Holder

\$192 \$230 \$277



890-1500 Double Post Toilet Tissue Holder

\$204 \$248 \$297

HOW TO ORDER: **STEP 1:** Select Decorative Rings and Mounting Kit
STEP 2: Select Grab Bar Tube



STEP 1: **920-2400** Decorative Rings and Mounting Kit

\$160 \$218 \$274

STEP 2:
5080 12" Grab Bar Tube
5081 16" Grab Bar Tube
5082 18" Grab Bar Tube
5083 24" Grab Bar Tube
5085 36" Grab Bar Tube

\$140 \$206 \$230
 \$166 \$233 \$293
 \$187 \$260 \$285
 \$224 \$301 \$347
 \$330 \$410 \$485



920-3942 42" Grab Bar

\$599 \$781 \$944

Sold as complete unit





Available Finishes:		PC	PN SN
1101	12" Towel Bar	\$197	\$233
G1104	32" Towel Bar	\$260	\$312



Available Finishes:		PC	PN SN
1122-18	18" Double Towel Bar	\$419	\$501
1122-24	24" Double Towel Bar	\$451	\$541
1122-32	32" Double Towel Bar	\$454	NA



Available Finishes:		PC	PN SN
1107	Spare Toilet Tissue Holder	\$183	\$221



Available Finishes:		PC	PN SN
1108D	Double Post Tissue Holder	\$348	\$420




Available Finishes:		PC	PN SN
1127	Hooded Toilet Tissue Holder	\$219	\$262



Available Finishes:		PC	PN SN
1118T-18	18" Shelf	\$322	\$385



Available Finishes:		PC	PN SN
1135T-18	18" Gallery Shelf	\$441	\$528
1135T-24	24" Gallery Shelf	\$498	NA



IMPORTANT: Order (1) Mounting Kit plus (1) Frame to make a complete unit.

Available Finishes:		PC	PN SN
114B	Hotel Shelf Mounting Kit	\$137	\$164
XX43-20	20" Hotel Shelf Frame with Towel Bar	\$306	\$366
XX43-24	24" Hotel Shelf Frame with Towel Bar	\$326	\$387



IMPORTANT: Order (1) Mounting Kit plus (1) Frame to make a complete unit.


Available Finishes:		PC	PN SN
114B	Hotel Shelf Mounting Kit	\$137	\$164
XX43S-20	20" Hotel Shelf Frame with Towel Bar, Squared Corners	\$384	\$463
XX43S-24	24" Hotel Shelf Frame with Towel Bar, Squared Corners	\$415	\$497



Available Finishes:		PC	PN SN
1181	Single Light with Nightlight Option, Satin Etched Glass	\$429	\$513



Available Finishes:		PC	PN SN
1182	Double Light Satin Etched Glass	\$655	\$765



♿ **Mirror tilts 4.5° with mechanism.

Available Finishes:		PC	PN SN
1141	Framed Mirror 20.39" x 35" overall	\$748	\$859
MTM-009	Tilting Mechanism Optional**	\$88	\$88






AMISA

980 | 1020



LAVATORY FAUCETS | TUB & SHOWER | TANK LEVER | ACCESSORIES | GRAB BARS

	<p>1020</p>	<p>Widespread Lavatory Faucet 1/2" valves. Spout c-c 6.12". 8" centers.</p>	<p>\$895</p>	<p>\$1,233</p>	<p>\$1,475</p>
	<p>980</p>	<p>Widespread Lavatory Faucet 1/2" valves. Spout c-c 4.75". 8" centers.</p>	<p>\$878</p>	<p>\$1,233</p>	<p>\$1,475</p>
	<p>5-982BP</p>	<p>BP Tub & Shower Trim Less tub spout, showerhead, arm and flange. MUST ORDER VALVE SEPARATELY.</p>	<p>\$569</p>	<p>\$741</p>	<p>\$855</p>
	<p>1-685</p>	<p>Newport Brass BP Valve with diverter, 4 port with service stops, universal 1/2" NPT & direct sweat connections. See Shower & Drain Sections to complete shower.</p>	<p>\$384</p>	<p>—</p>	<p>—</p>
	<p>3-984BP</p>	<p>BP Shower Set MUST ORDER VALVE SEPARATELY.</p>	<p>\$783</p>	<p>\$1,016</p>	<p>\$1,176</p>
	<p>1-684</p>	<p>Newport Brass BP Valve, 3 port with service stops, universal 1/2" NPT & direct sweat connections.</p>	<p>\$278</p>	<p>—</p>	<p>—</p>
	<p>4-984BP</p>	<p>BP Shower Trim Less showerhead, arm and flange. MUST ORDER VALVE SEPARATELY.</p>	<p>\$480</p>	<p>\$624</p>	<p>\$719</p>
	<p>2-250</p>	<p>Tub Spout 1/2" NPT inlet fitting. 6.29" spout overall length.</p>	<p>\$240</p>	<p>\$326</p>	<p>\$373</p>

	3-985	Wall Mount Tub Faucet MUST ORDER VALVES SEPARATELY.	\$719	\$933	\$1,078
	1-500U	2-valve rough with 1/2" NPT inlets & outlet.	\$358	—	—
	3-1026	Roman Tub Faucet Spout c-c 9.44". MUST ORDER VALVES SEPARATELY.	\$1,199	\$1,559	\$1,798
	1-506	3/4" valve for above with quick connect.	\$438	—	—
	3-1027	Roman Tub Faucet with Handshower Spout c-c 9.44". MUST ORDER VALVES SEPARATELY.	\$1,559	\$2,028	\$2,336
	1-507	3/4" valve for above. Includes hose and quick connect.	\$883	—	—
	1020-4273	Exposed Tub and Hand Shower Set - Deck Mount 7.25" centers. Spout c-c 9.11". Includes: 281 Hand Shower	\$1,805	\$2,300	\$2,795
	1020-4283	Exposed Tub and Hand Shower Set - Wall Mount 6" centers. Spout c-c 7". Includes: 281 Hand Shower Floor-mount kit item 3-196 or 3-226 sold separately.	\$1,723	\$2,214	\$2,683
	3-196	Floor Mount Kit for Exposed Tub Sets Set includes: 2 each Floor Flanges 2 each 3/4" Risers - 31" high. Stabilizer kit sold separately.	\$637	\$888	\$1,066
	3-226	Same as above only 24" high.	\$612	\$855	\$1,029
	3-192	3/4" Shut-off Valves for above (1 pair hot & cold).	\$896	\$1,065	\$1,278
	1-378	Optional Rough For Exposed Tub Filler For subfloor or concrete floor installations. 3.65" overall height. 10.38" x 5" overall base size. Universal 1/2" NPT connections. Test caps included. For use with 3-196 or 3-226 tub risers.	\$440	—	—
	2-734	Stabilizer Kit for Exposed Tub Floor Riser Kits Adjustable for risers that are 6" to 9" apart. Includes 1-1/2" finished ring for connecting kit to tub overflow pipe. Finished plate for wall mounting up to 10" center of riser pipes.	\$314	\$406	\$435

AMISA - 980, 1020



989 Bidet Set
1/2" valves. Includes Bottom Spray with vacuum breaker, 4 hole mount bidet.

\$1,697 \$2,376 \$2,853



3-803TR 1/2" Thermostatic Trim Plate with Handles
Integrated diverter handle with independent temperature control.
MUST ORDER VALVE SEPARATELY.

\$587 \$789 \$905



1-741

1-741 1/2" Thermostatic Rough-in Valve 1-Port \$524
1-742 1/2" Thermostatic Rough-in Valve 2-Port** \$627
1-743 1/2" Thermostatic Rough-in Valve 3-Port - Shared \$686
1-744 1/2" Thermostatic Rough-in Valve 3-Port** \$686
1-745 1/2" Thermostatic Rough-in Valve 2-Port - Shared \$627
See page 348 for more details.

— —
— —
— —
— —
— —



20-146 1/2" Valve Trim Extension Kit
Extends 1-3/8". Please specify finish.

\$273 \$368 \$423



3-804TR 3/4" Thermostatic Trim Plate with Handle
MUST ORDER VALVE SEPARATELY.

\$480 \$624 \$719



1-540 3/4" Thermostatic Rough-in Valve
Flow rate of 18 gallons per minute at 60 PSI.
Factory calibrated comfort setting at 100-deg F,
built-in check valves with service stops.
IAPMO Listed. Meets ASSE Standard 1016.
MUST USE WITH SEPARATE STOP/VOLUME CONTROL

\$794 — —



2-260 3/4" Valve trim extension kit
Extends 1-3/8". Please specify finish.

\$190 \$259 \$311



3-188H Diverter/Flow Control Trim
Use with stop or diverter valves, see page 355.

\$336 \$471 \$566

**Cal Green compliant



1-606U 1/2" inlet/outlet universal stop valve.
(clockwise off, for cross or lever handle)

1-607U 3/4" inlet/outlet universal stop valve.
(clockwise off, for cross or lever handle)

\$195	—	—
\$265	—	—



1-617 1/2" In-wall 2 & 3 way diverter valve
1 inlet, 3 outlets.**

\$279	—	—
-------	---	---



*SEE PAGES 312-315
FOR HOW TO USE
THESE DIVERTERS.

1/2" in-wall diverter valves* with:

1-701 3 function with off. 1 inlet, 3 outlets.**

1-702 5 function with share and off. 1 inlet, 3 outlets.

1-703 3 function with pause. 1 inlet, 3 outlets.**

1-704 2 function with off. 1 inlet, 2 outlets.**

1-705 3 function with share and off. 1 inlet, 2 outlets.

1-706 2 function with pause. 1 inlet, 2 outlets.**

1-707 3 function with share (no off). 1 inlet, 2 outlets.

\$334	—	—
\$334	—	—
\$334	—	—
\$334	—	—
\$334	—	—
\$334	—	—
\$334	—	—



15-01 18" Towel Bar

15-02 24" Towel Bar

\$273	\$355	\$385
\$289	\$373	\$400



15-09 Towel Ring

\$201	\$261	\$300
-------	-------	-------



15-13 Double Robe Hook

\$190	\$247	\$265
-------	-------	-------



15-27 Hanging Toilet Tissue Holder

\$289	\$340	\$400
-------	-------	-------

AMISA - 980, 1020



15-28 Double Post Toilet Tissue Holder \$289 \$373 \$400

HOW TO ORDER: **STEP 1:** Select Decorative Rings and Mounting Kit
STEP 2: Select Grab Bar Tube



STEP 1: 1020-2400 Decorative Rings and Mounting Kit \$160 \$218 \$274



STEP 2:

5080	12" Grab Bar Tube	\$140	\$206	\$230
5081	16" Grab Bar Tube	\$166	\$233	\$293
5082	18" Grab Bar Tube	\$187	\$260	\$285
5083	24" Grab Bar Tube	\$224	\$301	\$347
5085	36" Grab Bar Tube	\$330	\$410	\$485



1020-3942 42" Grab Bar \$599 \$781 \$944

Sold as complete unit













ASTOR

910 | 920



LAVATORY FAUCETS | TUB & SHOWER | TANK LEVER | ACCESSORIES | GRAB BARS

 	910	Widespread Lavatory Faucet. Lever Handles. 1/2" valves. Spout c-c 5.62". 8" centers.	\$860	\$1,206	\$1,447
 	910C	Widespread Lavatory Faucet Lever handles. 1/2" valves. Spout c-c 5.82". 8" centers.	\$995	\$1,295	\$1,490
 	920	Widespread Lavatory Faucet. Cross Handles. 1/2" valves. Spout c-c 5.62". 8" centers.	\$860	\$1,206	\$1,447
 	920C	Widespread Lavatory Faucet Cross handles. 1/2" valves. Spout c-c 5.82". 8" centers.	\$995	\$1,295	\$1,490
 	9203	Single Hole Lavatory Faucet Overall height 10.63". Spout c-c 6.20". Spout height from base 4.59". Includes pop-up assembly. Does not work with #101 cover plate.	\$1,023	\$1,391	\$1,597
 	9208	Single Hole Vessel Faucet Overall height 13.44". Spout c-c 6.20". Spout height from base 7.44". Drain not included. For lavatory sink drains see Brasstech # 330, 3301, 3302 or 3303. For bar sink drains, see Brasstech # 130 or 131. Does not work with #101 cover plate.	\$1,117	\$1,500	\$1,724

ASTOR - 910, 920



3-911 Wall Mount Lavatory Faucet
Lever handles. Spout c-c 7.50".
8" centers. Drain not included. See
Brasstech #330, 3301, 3302 or 3303.
MUST ORDER VALVE SEPARATELY.

1-532U 2-valve rough with 1/2" NPT inlets & outlet. \$358 — —



3-921 Wall Mount Lavatory Faucet
Cross handles. Spout c-c 7.50".
8" centers. Drain not included. See
Brasstech #330, 3301, 3302 or 3303.
MUST ORDER VALVE SEPARATELY.

1-532U 2-valve rough with 1/2" NPT inlets & outlet. \$358 — —



3-912BP BP Tub & Shower Set. Lever Handle.
MUST ORDER VALVE SEPARATELY. \$875 \$1,134 \$1,309

1-685 Newport Brass BP Valve with diverter, 4 port with
service stops, universal 1/2" NPT & direct sweat
connections. \$384 — —



5-912BP BP Tub & Shower Trim. Lever Handle.
Less tub spout, showerhead, arm and flange.
MUST ORDER VALVE SEPARATELY. \$450 \$586 \$677

1-685 Newport Brass BP Valve with diverter, 4 port with
service stops, universal 1/2" NPT & direct sweat
connections. \$384 — —

See Shower & Drain Sections to complete shower.



3-922BP BP Tub & Shower Set. Cross Handle.
MUST ORDER VALVE SEPARATELY. \$875 \$1,134 \$1,309

1-685 Newport Brass BP Valve with diverter, 4 port with
service stops, universal 1/2" NPT & direct sweat
connections. \$384 — —



5-922BP BP Tub & Shower Trim. Cross Handle.
Less tub spout, showerhead, arm and flange.
MUST ORDER VALVE SEPARATELY. \$450 \$586 \$677

1-685 Newport Brass BP Valve with diverter, 4 port with
service stops, universal 1/2" NPT & direct sweat
connections. \$384 — —

See Shower & Drain Sections to complete shower.



3-914BP BP Shower Set. Lever Handle.
MUST ORDER VALVE SEPARATELY. \$666 \$863 \$998

1-684 Newport Brass BP Valve, 3 port with service stops,
universal 1/2" NPT & direct sweat connections. \$278 — —



4-914BP BP Shower Trim. Lever Handle.
Less showerhead, arm and flange.
MUST ORDER VALVE SEPARATELY. \$359 \$468 \$542

1-684 Newport Brass BP Valve, 3 port with service stops,
universal 1/2" NPT & direct sweat connections. \$278 — —

See Shower & Drain Sections to complete shower.

	3-924BP	BP Shower Set. Cross Handle. MUST ORDER VALVE SEPARATELY.	\$666	\$863	\$998
	1-684	Newport Brass BP Valve, 3 port with service stops, universal 1/2" NPT & direct sweat connections.	\$278	—	—
	4-924BP	BP Shower Trim. Cross Handle. Less showerhead, arm and flange. MUST ORDER VALVE SEPARATELY.	\$359	\$468	\$542
	1-684	Newport Brass BP Valve, 3 port with service stops, universal 1/2" NPT & direct sweat connections. See Shower & Drain Sections to complete shower.	\$278	—	—
	2-144	Tub Spout 1/2" NPT inlet fitting. 7.56" spout overall length.	\$230	\$312	\$358
	3-915	Wall Mount Tub Faucet. Lever Handles. MUST ORDER VALVES SEPARATELY.	\$761	\$990	\$1,142
	1-500U	2-valve rough with 1/2" NPT inlets & outlet.	\$358	—	—
	3-925	Wall Mount Tub Faucet. Cross Handles. MUST ORDER VALVES SEPARATELY.	\$761	\$990	\$1,142
	1-500U	2-valve rough with 1/2" NPT inlets & outlet.	\$358	—	—
	3-916	Roman Tub Faucet. Lever Handles. Spout c-c 9.27". MUST ORDER VALVES SEPARATELY.	\$1,036	\$1,350	\$1,559
	1-502	3/4" valve for above, quick connect included.	\$438	—	—
	3-926	Roman Tub Faucet. Cross Handles. Spout c-c 9.27". MUST ORDER VALVES SEPARATELY.	\$1,036	\$1,350	\$1,559
	1-502	3/4" valve for above, quick connect included.	\$438	—	—
	3-917	Roman Tub Faucet with Handshower. Lever Handles. Spout c-c 9.27". MUST ORDER VALVES SEPARATELY.	\$1,398	\$1,818	\$2,097
	1-503	3/4" valve for above. Includes hose and quick connect.	\$883	—	—



3-927	Roman Tub Faucet with Handshower. Cross Handles. Spout c-c 9.27". MUST ORDER VALVES SEPARATELY.	\$1,398	\$1,818	\$2,097
1-503	3/4" valve for above. Includes hose and quick connect.	\$883	—	—



920-4272	Exposed Tub and Hand Shower Set - Deck Mount Cross Handles. 7.25" centers. Spout c-c 9.11". Includes: 281 Hand Shower	\$1,805	\$2,300	\$2,795
-----------------	-----------------------------------------------------------------------------------------------------------------------------	---------	---------	---------



910-4273	Exposed Tub and Hand Shower Set - Deck Mount Lever Handles. 7.25" centers. Spout c-c 9.11". Includes: 281 Hand Shower	\$1,805	\$2,300	\$2,795
-----------------	-----------------------------------------------------------------------------------------------------------------------------	---------	---------	---------



920-4282	Exposed Tub and Hand Shower Set - Wall Mount Cross Handles. 6" centers. Spout c-c 7". Includes: 281 Hand Shower Floor-mount kit item 3-196 or 3-226 sold separately.	\$1,723	\$2,214	\$2,683
-----------------	-------------------------------------------------------------------------------------------------------------------------------------------------------------------------------	---------	---------	---------



910-4283	Exposed Tub and Hand Shower Set - Wall Mount Lever Handles. 6" centers. Spout c-c 7". Includes: 281 Hand Shower No. 284, 59" Hose. Floor-mount kit item 3-196 or 3-226 sold separately.	\$1,723	\$2,214	\$2,683
-----------------	--------------------------------------------------------------------------------------------------------------------------------------------------------------------------------------------------	---------	---------	---------



3-196	Floor Mount Kit for Exposed Tub Sets Set includes: 2 each Floor Flanges 2 each 3/4" Risers - 31" high. Stabilizer kit sold separately.	\$637	\$888	\$1,066
3-226	Same as above only 24" high.	\$612	\$855	\$1,029
3-192	3/4" Shut-off Valves for above (1 pair hot & cold).	\$896	\$1,065	\$1,278











1-378	Optional Rough For Exposed Tub Filler For subfloor or concrete floor installations. 3.65" overall height. 10.38" x 5" overall base size. Universal 1/2" NPT connections. Test caps included. For use with 3-196 or 3-226 tub risers.	\$440	—	—
--------------	-----------------------------------------------------------------------------------------------------------------------------------------------------------------------------------------------------------------------------------------------------	-------	---	---



2-734	Stabilizer Kit for Exposed Tub Floor Riser Kits Adjustable for risers that are 6" to 9" apart. Includes 1-1/2" finished ring for connecting kit to tub overflow pipe. Finished plate for wall mounting up to 10" center of riser pipes.	\$314	\$406	\$435
--------------	-----------------------------------------------------------------------------------------------------------------------------------------------------------------------------------------------------------------------------------------------	-------	-------	-------

Wall Mount Plate

	<p>929</p>	<p>Bidet Set. Cross Handles. 1/2" valves. Includes bottom spray with vacuum breaker, 4 hole mount bidet.</p>	<p>\$1,585</p>	<p>\$2,217</p>	<p>\$2,662</p>
	<p>3-913TR</p>	<p>1/2" Thermostatic Trim Plate with Handles Integrated diverter handle with independent temperature control. MUST ORDER VALVE SEPARATELY.</p>	<p>\$587</p>	<p>\$789</p>	<p>\$905</p>
	<p>3-923TR</p>	<p>1/2" Thermostatic Trim Plate with Handles Integrated diverter handle with independent temperature control. MUST ORDER VALVE SEPARATELY.</p>	<p>\$587</p>	<p>\$789</p>	<p>\$905</p>
	<p>3-913TS</p>	<p>1/2" Thermostatic Trim Plate with Handles Integrated diverter handle with independent temperature control. MUST ORDER VALVE SEPARATELY.</p>	<p>\$628</p>	<p>\$834</p>	<p>\$960</p>
	<p>3-923TS</p>	<p>1/2" Thermostatic Trim Plate with Handles Integrated diverter handle with independent temperature control. MUST ORDER VALVE SEPARATELY.</p>	<p>\$628</p>	<p>\$834</p>	<p>\$960</p>
	<p>1-741 1-742 1-743 1-744 1-745</p>	<p>1/2" Thermostatic Rough-in Valve 1-Port 1/2" Thermostatic Rough-in Valve 2-Port** 1/2" Thermostatic Rough-in Valve 3-Port - Shared 1/2" Thermostatic Rough-in Valve 3-Port** 1/2" Thermostatic Rough-in Valve 2-Port - Shared See page 348 for more details.</p>	<p>\$524 \$627 \$686 \$686 \$627</p>	<p>— — — — —</p>	<p>— — — — —</p>
	<p>20-146</p>	<p>1/2" Valve Trim Extension Kit Extends 1-3/8". Please specify finish.</p>	<p>\$273</p>	<p>\$368</p>	<p>\$423</p>
	<p>3-914TR</p>	<p>3/4" Thermostatic Trim Plate with Handle MUST ORDER VALVE SEPARATELY.</p>	<p>\$480</p>	<p>\$624</p>	<p>\$719</p>

ASTOR - 910, 920



3-924TR 3/4" Thermostatic Trim Plate with Handle
MUST ORDER VALVE SEPARATELY. \$480 \$624 \$719



1-540 3/4" Thermostatic Rough-in Valve
Flow rate of 18 gallons per minute at 60 PSI.
Factory calibrated comfort setting at 100-deg F,
built-in check valves with service stops.
IAPMO Listed. Meets ASSE Standard 1016.
MUST USE WITH SEPARATE STOP/VOLUME CONTROL \$794 — —



2-260 3/4" Valve trim extension kit
Extends 1-3/8". Please specify finish. \$190 \$259 \$311



3-343 Diverter/Flow Control Trim
Use with stop or diverter valves, see page 355. \$210 \$293 \$353



3-163 Diverter/Flow Control Trim. Arrow insert. \$210 \$293 \$353
3-163B Diverter/Flow Control Trim. Plain insert. \$210 \$293 \$353
Use with stop or diverter valves, see page 355.



1-606U 1/2" inlet/outlet universal stop valve.
(clockwise off, for cross or lever handle) \$195 — —
1-607U 3/4" inlet/outlet universal stop valve.
(clockwise off, for cross or lever handle) \$265 — —



1-617 1/2" In-wall 2 & 3 way diverter valve
1 inlet, 3 outlets. ** \$279 — —



1/2" in-wall diverter valves* with:
1-701 3 function with off. 1 inlet, 3 outlets. ** \$334 — —
1-702 5 function with share and off. 1 inlet, 3 outlets. \$334 — —
1-703 3 function with pause. 1 inlet, 3 outlets. ** \$334 — —

*SEE PAGES 312-315 FOR HOW TO USE THESE DIVERTERS.

**Cal Green compliant



*SEE PAGES 312-315 FOR HOW TO USE THESE DIVERTERS

1/2" in-wall diverter valves* with:

1-704	2 function with off. 1 inlet, 2 outlets.**	\$334	—	—
1-705	3 function with share and off. 1 inlet, 2 outlets.	\$334	—	—
1-706	2 function with pause. 1 inlet, 2 outlets.**	\$334	—	—
1-707	3 function with share (no off). 1 inlet, 2 outlets.	\$334	—	—



2-268	Tank Lever for Astor Series	\$141	\$183	\$195
6-505	Tank Lever Mechanism	\$115	\$139	\$155



890-1230	18" Towel Bar	\$208	\$253	\$304
890-1250	24" Towel Bar	\$227	\$269	\$324



890-1400	Towel Ring - Open	\$192	\$230	\$277
-----------------	-------------------	-------	-------	-------



890-1410	Towel Ring	\$154	\$185	\$222
-----------------	------------	-------	-------	-------



890-1650	Single Robe Hook	\$68	\$83	\$99
-----------------	------------------	------	------	------



890-1660	Double Robe Hook	\$138	\$166	\$199
-----------------	------------------	-------	-------	-------



890-1510	Hanging Toilet Tissue Holder	\$192	\$230	\$277
-----------------	------------------------------	-------	-------	-------



890-1500 Double Post Toilet Tissue Holder \$204 \$248 \$297

HOW TO ORDER: **STEP 1: Select Decorative Rings and Mounting Kit**
STEP 2: Select Grab Bar Tube



STEP 1: 920-2400 Decorative Rings and Mounting Kit \$160 \$218 \$274

STEP 2:
 5080 12" Grab Bar Tube \$140 \$206 \$230
 5081 16" Grab Bar Tube \$166 \$233 \$293
 5082 18" Grab Bar Tube \$187 \$260 \$285
 5083 24" Grab Bar Tube \$224 \$301 \$347
 5085 36" Grab Bar Tube \$330 \$410 \$485



920-3942 42" Grab Bar \$599 \$781 \$944

Sold as complete unit





Available Finishes:		PC	PN SN
1101	12" Towel Bar	\$197	\$233
G1104	32" Towel Bar	\$260	\$312



Available Finishes:		PC	PN SN
1122-18	18" Double Towel Bar	\$419	\$501
1122-24	24" Double Towel Bar	\$451	\$541
1122-32	32" Double Towel Bar	\$454	NA



Available Finishes:		PC	PN SN
1107	Spare Toilet Tissue Holder	\$183	\$221




Available Finishes:		PC	PN SN
1108D	Double Post Tissue Holder	\$348	\$420




Available Finishes:		PC	PN SN
1127	Hooded Toilet Tissue Holder	\$219	\$262



Available Finishes:		PC	PN SN
1118T-18	18" Shelf	\$322	\$385




Available Finishes:		PC	PN SN
1135T-18	18" Gallery Shelf	\$441	\$528
1135T-24	24" Gallery Shelf	\$498	NA



IMPORTANT: Order (1) Mounting Kit plus (1) Frame to make a complete unit.

Available Finishes:		PC	PN SN
114B	Hotel Shelf Mounting Kit	\$137	\$164
XX43-20	20" Hotel Shelf Frame with Towel Bar	\$306	\$366
XX43-24	24" Hotel Shelf Frame with Towel Bar	\$326	\$387



IMPORTANT: Order (1) Mounting Kit plus (1) Frame to make a complete unit.


Available Finishes:		PC	PN SN
114B	Hotel Shelf Mounting Kit	\$137	\$164
XX43S-20	20" Hotel Shelf Frame with Towel Bar, Squared Corners	\$384	\$463
XX43S-24	24" Hotel Shelf Frame with Towel Bar, Squared Corners	\$415	\$497



Available Finishes:		PC	PN SN
1181	Single Light with Nightlight Option, Satin Etched Glass	\$429	\$513



Available Finishes:		PC	PN SN
1182	Double Light Satin Etched Glass	\$655	\$765



**Mirror tilts 4.5° with mechanism.

Available Finishes:		PC	PN SN
1141	Framed Mirror 20.39" x 35" overall	\$748	\$859
MTM-009	Tilting Mechanism Optional**	\$88	\$88

AYLESBURY

2400



LAVATORY FAUCETS | TUB & SHOWER | TANK LEVER | ACCESSORIES | GRAB BARS



2400

Widespread Lavatory Faucet
Cross Handles. 1/2" valves.
Spout c-c 5.09". 8" centers.

\$978 \$1,293 \$1,483



2410

Widespread Lavatory Faucet
Lever Handles. 1/2" valves.
Spout c-c 5.09". 8" centers.

\$978 \$1,293 \$1,483



2420

Widespread Lavatory Faucet
Cross Handles. 1/2" valves.
Spout c-c 5.14". 8" centers.

\$911 \$1,208 \$1,388



2430

Widespread Lavatory Faucet
Lever Handles. 1/2" valves.
Spout c-c 5.14". 8" centers.

\$911 \$1,208 \$1,388



2433

Single Hole Lavatory Faucet
5.48" spout height at outlet.
5.04" spout reach (c-c).
8.14" overall height.
Includes #320 lift and turn drain.











\$923 \$1,244 \$1,429



101

Cover Plate, Optional
6" x 2-1/2".

\$99 \$142 \$152

 	3-2401	Wall Mount Lavatory Faucet Cross Handles. Spout c-c 7.25". 8" centers. Drain not included. See Brasstech # 330, 3301, 3302 or 3303. MUST ORDER VALVES SEPARATELY.	\$761	\$1,025	\$1,176
	1-532U	2-valve rough with 1/2" NPT inlets & outlet.	\$358	—	—
 	3-2411	Wall Mount Lavatory Faucet Lever Handles. Spout c-c 7.25". 8" centers. Drain not included. See Brasstech # 330, 3301, 3302 or 3303. MUST ORDER VALVE SEPARATELY.	\$761	\$1,025	\$1,176
	1-532U	2-valve rough with 1/2" NPT inlets & outlet.	\$358	—	—
	5-2402BP	BP Tub & Shower Trim. Cross Handle. Less tub spout, showerhead, arm and flange. MUST ORDER VALVE SEPARATELY.	\$547	\$712	\$821
	1-685	Newport Brass BP Valve with diverter, 4 port with service stops, universal 1/2" NPT & direct sweat connections. See Shower & Drain Sections to complete shower.	\$384	—	—
	3-2412BP	BP Tub & Shower Set. Cross Handle. MUST ORDER VALVE SEPARATELY.	\$1,214	\$1,575	\$1,818
	1-685	Newport Brass BP Valve with diverter, 4 port with service stops, universal 1/2" NPT & direct sweat connections.	\$384	—	—
	5-2412BP	BP Tub & Shower Trim. Lever Handle. Less tub spout, showerhead, arm and flange. MUST ORDER VALVE SEPARATELY.	\$547	\$712	\$821
	1-685	Newport Brass BP Valve with diverter, 4 port with service stops, universal 1/2" NPT & direct sweat connections. See Shower & Drain Sections to complete shower.	\$384	—	—
	3-2404BP	BP Shower Set. Cross Handle. MUST ORDER VALVE SEPARATELY.	\$947	\$1,244	\$1,440
	1-684	Newport Brass BP Valve, 3 port with service stops, universal 1/2" NPT & direct sweat connections.	\$278	—	—
	4-2404BP	BP Shower Trim. Cross Handle. Less showerhead, arm and flange. MUST ORDER VALVE SEPARATELY.	\$455	\$594	\$683
	1-684	Newport Brass BP Valve, 3 port with service stops, universal 1/2" NPT & direct sweat connections. See Shower & Drain Sections to complete shower.	\$278	—	—
	3-2414BP	BP Shower Set. Lever Handle MUST ORDER VALVE SEPARATELY.	\$947	\$1,244	\$1,440
	1-684	Newport Brass BP Valve, 3 port with service stops, universal 1/2" NPT & direct sweat connections.	\$278	—	—

AYLESBURY - 2400



4-2414BP BP Shower Trim. Lever Handle
Less showerhead, arm and flange.
MUST ORDER VALVE SEPARATELY. \$455 \$594 \$683

1-684 Newport Brass BP Valve, 3 port with service stops,
universal 1/2" NPT & direct sweat connections. \$278 — —
See Shower & Drain Sections to complete shower.



3-383 Tub Spout
1/2" NPT inlet fitting.
7.82" spout overall length. \$246 \$334 \$381



3-2405 Wall Mount Tub Faucet. Cross Handles.
MUST ORDER VALVE SEPARATELY. \$761 \$990 \$1,142

1-500U 2-valve rough with 1/2" NPT inlets & outlet. \$358 — —



3-2415 Wall Mount Tub Faucet. Lever Handles.
MUST ORDER VALVE SEPARATELY. \$761 \$990 \$1,142

1-500U 2-valve rough with 1/2" NPT inlets & outlet. \$358 — —



3-2416 Roman Tub Faucet
Lever Handles. Spout c-c 7.23".
MUST ORDER VALVES SEPARATELY. \$1,036 \$1,350 \$1,559

1-502 3/4" valve for above. Quick connect included. \$438 — —



3-2417 Roman Tub Faucet with Handshower
Lever Handles. Spout c-c 7.23".
MUST ORDER VALVES SEPARATELY \$1,398 \$1,817 \$2,097

1-503 3/4" valve for above. Includes
hose and quick connect. \$883 — —



2400-4272 Exposed Tub and Hand Shower Set - Deck Mount.
Cross Handles.
7.25" centers. Spout c-c 9.11".
Includes: 281 Hand Shower \$1,805 \$2,300 \$2,795



2400-4273 Exposed Tub and Hand Shower Set - Deck Mount.
Lever Handles.
7.25" centers. Spout c-c 9.11".
Includes: 281 Hand Shower \$1,805 \$2,300 \$2,795



2400-4282 Exposed Tub and Hand Shower Set - Wall Mount. Cross Handles.
6" centers. Spout c-c 7".
Includes: 281 Hand Shower
Floor-mount kit item
3-196 or 3-226 sold separately.

\$1,723 \$2,214 \$2,683



2400-4283 Exposed Tub and Hand Shower Set - Wall Mount. Lever Handles.
6" centers. Spout c-c 7".
Includes: 281 Hand Shower
Floor-mount kit item
3-196 or 3-226 sold separately.

\$1,723 \$2,214 \$2,683



3-196 Floor Mount Kit for Exposed Tub Sets
Set includes: 2 each Floor Flanges
2 each 3/4" Risers - 31" high.
Stabilizer kit sold separately.

\$637 \$888 \$1,066

3-226 Same as above only 24" high.
3-192 3/4" Shut-off Valves for above (1 pair hot & cold).

\$612 \$855 \$1,029
\$896 \$1,065 \$1,278



1-378 Optional Rough For Exposed Tub Filler
For subfloor or concrete floor installations.
3.65" overall height.
10.38" x 5" overall base size.
Universal 1/2" NPT connections. Test caps included.
For use with 3-196 or 3-226 tub risers.

\$440 — —



2-734 Stabilizer Kit for Exposed Tub Floor Riser Kits
Adjustable for risers that are 6" to 9" apart.
Includes 1-1/2" finished ring for connecting kit to
tub overflow pipe. Finished plate for wall mounting
up to 10" center of riser pipes.

\$314 \$406 \$435

Wall Mount Plate



2419 Bidet Set. Lever Handles.
1/2" valves. Includes bottom spray with
vacuum breaker, 4 hole mount bidet.

\$1,495 \$2,014 \$2,311



3-2403TR 1/2" Thermostatic Trim Plate with Handles
Integrated diverter handle with independent
temperature control.
MUST ORDER VALVE SEPARATELY.

\$628 \$834 \$960



3-2413TR 1/2" Thermostatic Trim Plate with Handles
Integrated diverter handle with independent
temperature control.
MUST ORDER VALVE SEPARATELY.

\$628 \$834 \$960

AYLESBURY - 2400



1-741

- 1-741** 1/2" Thermostatic Rough-in Valve 1-Port
- 1-742** 1/2" Thermostatic Rough-in Valve 2-Port**
- 1-743** 1/2" Thermostatic Rough-in Valve 3-Port - Shared
- 1-744** 1/2" Thermostatic Rough-in Valve 3-Port**
- 1-745** 1/2" Thermostatic Rough-in Valve 2-Port - Shared

\$524 — —
 \$627 — —
 \$686 — —
 \$686 — —
 \$627 — —

See page 348 for more details.



20-146

1/2" Valve Trim Extension Kit
 Extends 1-3/8". Please specify finish.

\$273 \$368 \$423



3-2404TR

3/4" Thermostatic Trim Plate with Handle
 MUST ORDER VALVE SEPARATELY.

\$702 \$912 \$1,055



3-2414TR

3/4" Thermostatic Trim Plate with Handle
 MUST ORDER VALVE SEPARATELY.

\$702 \$912 \$1,055



1-540

3/4" Thermostatic Rough-in Valve
 Flow rate of 18 gallons per minute at 60 PSI.
 Factory calibrated comfort setting at 100-deg F,
 built-in check valves with service stops.
 IAPMO Listed. Meets ASSE Standard 1016.

\$794 — —

MUST USE WITH SEPARATE STOP/VOLUME CONTROL



2-260

3/4" Valve trim extension kit
 Extends 1-3/8". Please specify finish.

\$190 \$259 \$311



3-374

Diverter/Flow Control Trim
 Use with stop or diverter valves, see page 355.

\$237 \$311 \$358



3-373

Diverter/Flow Control Trim
 Use with stop or diverter valves, see page 355.

\$237 \$311 \$358



1-606U 1/2" inlet/outlet universal stop valve.
(clockwise off, for cross or lever handle)

\$195 — —

1-607U 3/4" inlet/outlet universal stop valve.
(clockwise off, for cross or lever handle)

\$265 — —



1-617 1/2" In-wall 2 & 3 way diverter valve
1 inlet, 3 outlets.**

\$279 — —



*SEE PAGES 312-315
FOR HOW TO USE
THESE DIVERTERS.

1/2" in-wall diverter valves* with:

1-701 3 function with off. 1 inlet, 3 outlets.**

\$334 — —

1-702 5 function with share and off. 1 inlet, 3 outlets.

\$334 — —

1-703 3 function with pause. 1 inlet, 3 outlets.**

\$334 — —

1-704 2 function with off. 1 inlet, 2 outlets.**

\$334 — —

1-705 3 function with share and off. 1 inlet, 2 outlets.

\$334 — —

1-706 2 function with pause. 1 inlet, 2 outlets.**

\$334 — —

1-707 3 function with share (no off). 1 inlet, 2 outlets.

\$334 — —



2-645 Tank Lever for Aylesbury Series

\$147 \$190 \$223

6-505 Tank Lever Mechanism

\$115 \$139 \$155



34-01 18" Towel Bar

\$285 \$373 \$413

34-02 24" Towel Bar

\$304 \$377 \$419



34-09 Towel Ring

\$208 \$268 \$304



34-12 Single Robe Hook

\$155 \$202 \$236



34-13 Double Robe Hook \$183 \$236 \$268



34-27 Open Toilet Tissue Holder \$187 \$233 \$269



34-28 Double Post Toilet Tissue Holder \$268 \$340 \$391

HOW TO ORDER: **STEP 1:** Select Decorative Rings and Mounting Kit
STEP 2: Select Grab Bar Tube



STEP 1: **2400-2400** Decorative Rings and Mounting Kit \$259 \$383 \$429

STEP 2:
5080 12" Grab Bar Tube \$140 \$206 \$230
5081 16" Grab Bar Tube \$166 \$233 \$293
5082 18" Grab Bar Tube \$187 \$260 \$285
5083 24" Grab Bar Tube \$224 \$301 \$347
5085 36" Grab Bar Tube \$330 \$410 \$485



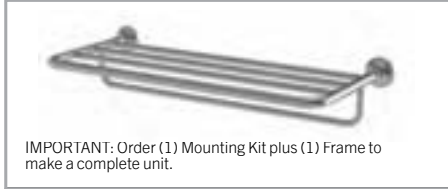
2400-3942 42" Grab Bar \$691 \$933 \$1,074

Sold as complete unit



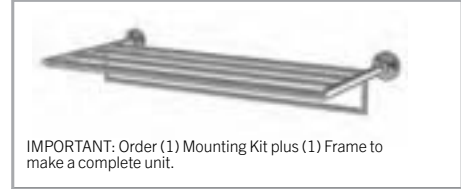


Available Finishes:		PC	PN SN
5434T-18	18" Shelf	\$306	\$368



IMPORTANT: Order (1) Mounting Kit plus (1) Frame to make a complete unit.

Available Finishes:		PC	PN SN
544B	Hotel Shelf Mounting Kit	\$137	\$164
XX43-20	20" Hotel Shelf Frame with Towel Bar	\$306	\$366
XX43-24	24" Hotel Shelf Frame with Towel Bar	\$326	\$387



IMPORTANT: Order (1) Mounting Kit plus (1) Frame to make a complete unit.

Available Finishes:		PC	PN SN
544B	Hotel Shelf Mounting Kit	\$137	\$164
XX43S-20	20" Hotel Shelf Frame with Towel Bar, Squared Corners	\$384	\$463
XX43S-24	24" Hotel Shelf Frame with Towel Bar, Squared Corners	\$415	\$497



Available Finishes:		PC	PN SN
5442	Frameless Pivoting Mirror 24.53" x 36.58" overall	\$663	\$746

BEVELLE

1740



LAVATORY FAUCETS | TUB & SHOWER | TANK LEVER | ACCESSORIES



1740

Widespread Lavatory Faucet
1/2" valves. Spout c-c 6.11". 8" centers.

\$1,166 \$1,444 \$1,731



5-1742BP

BP Tub & Shower Trim Set.
Less tub spout, showerhead, arm and flange.
MUST ORDER VALVE SEPARATELY.

\$731 \$950 \$1,095

1-685

Newport Brass BP Valve with diverter, 4 port with service stops, universal 1/2" NPT & direct sweat connections.

\$384 — —

See Shower & Drain Sections to complete shower.



4-1744BP

BP Shower Trim Set.
Less showerhead, arm and flange.
MUST ORDER VALVE SEPARATELY.

\$638 \$831 \$947

1-684

Newport Brass BP Valve, 3 port with service stops, universal 1/2" NPT & direct sweat connections.

\$278 — —

See Shower & Drain Sections to complete shower.



2-564

Tub Spout with Stream Straightener
3/4" NPT inlet (1/2" bushing included).
7.43" spout overall length.

\$245 \$326 \$389



3-1746

Roman Tub Faucet
Spout c-c 9.44".
MUST ORDER VALVES SEPARATELY.

\$1,440 \$1,870 \$2,158

1-506

3/4" valve only for above. Quick connect included.

\$438 — —



3-1747

Roman Tub Faucet with Handshower
Spout c-c 9.44".
MUST ORDER VALVES SEPARATELY.

\$1,798 \$2,338 \$2,695

1-507

3/4" valve only for above.
Includes hose and quick connect.

\$883 — —



1749 Bidet Set
1/2" valves.
Includes Bottom Spray with Vacuum Breaker
4 Hole Mount Bidet.

\$1,980 \$2,409 \$2,894



3-1663TR 1/2" Thermostatic Trim Plate with Handles
Integrated diverter handle with independent
temperature control.
MUST ORDER VALVE SEPARATELY.

\$587 \$789 \$905



1-741

1-741 1/2" Thermostatic Rough-in Valve 1-Port
1-742 1/2" Thermostatic Rough-in Valve 2-Port**
1-743 1/2" Thermostatic Rough-in Valve 3-Port - Shared
1-744 1/2" Thermostatic Rough-in Valve 3-Port**
1-745 1/2" Thermostatic Rough-in Valve 2-Port - Shared
See page 348 for more details.

\$524 — —
\$627 — —
\$686 — —
\$686 — —
\$627 — —



20-146 1/2" Valve Trim Extension Kit
Extends 1-3/8". Please specify finish.

\$273 \$368 \$423



3-1744TR 3/4" Thermostatic Trim Plate with Handle
MUST ORDER VALVE SEPARATELY.

\$559 \$721 \$838



1-540 3/4" Thermostatic Rough-in Valve
Flow rate of 18 gallons per minute at 60 PSI.
Factory calibrated comfort setting at 100-deg F,
built-in check valves with service stops.
IAPMO Listed. Meets ASSE Standard 1016.
MUST USE WITH SEPARATE STOP/VOLUME CONTROL

\$794 — —



2-260 3/4" Valve Trim Extension Kit
Extends 1-3/8". Please specify finish.

\$190 \$259 \$311



3-289 Diverter/Flow Control Trim
Use with stop or diverter valves, see page 355.

\$394 \$530 \$638

BEVELLE - 1740



1-606U 1/2" inlet/outlet universal stop valve.
(clockwise off, for cross or lever handle)

\$195 — —

1-607U 3/4" inlet/outlet universal stop valve.
(clockwise off, for cross or lever handle)

\$265 — —



1-617 1/2" In-wall 2 & 3 way diverter valve
1 inlet, 3 outlets.**

\$279 — —

1/2" in-wall diverter valves* with:



*SEE PAGES 312-315
FOR HOW TO USE
THESE DIVERTERS.

1-701 3 function with off. 1 inlet, 3 outlets.**

\$334 — —

1-702 5 function with share and off. 1 inlet, 3 outlets.

\$334 — —

1-703 3 function with pause. 1 inlet, 3 outlets.**

\$334 — —

1-704 2 function with off. 1 inlet, 2 outlets.**

\$334 — —

1-705 3 function with share and off. 1 inlet, 2 outlets.

\$334 — —

1-706 2 function with pause. 1 inlet, 2 outlets.**

\$334 — —

1-707 3 function with share (no off). 1 inlet, 2 outlets.

\$334 — —



2-470 Tank Lever for Bevelle Series

\$225 \$293 \$314

6-505 Tank Lever Mechanism

\$115 \$139 \$155



890-1230 18" Towel Bar

\$208 \$253 \$304

890-1250 24" Towel Bar

\$227 \$269 \$324



890-1400 Towel Ring - Open

\$192 \$230 \$277



890-1410 Towel Ring

\$154 \$185 \$222



890-1650 Single Robe Hook

\$68 \$83 \$99



890-1660 Double Robe Hook

\$138 \$166 \$199



890-1510 Hanging Toilet Tissue Holder

\$192 \$230 \$277



890-1500 Double Post Toilet Tissue Holder

\$204 \$248 \$297

HOW TO ORDER: STEP 1: Select Decorative Rings and Mounting Kit
STEP 2: Select Grab Bar Tube



STEP 1: 920-2400 Decorative Rings and Mounting Kit

\$160 \$218 \$274

STEP 2:
5080 12" Grab Bar Tube
5081 16" Grab Bar Tube
5082 18" Grab Bar Tube
5083 24" Grab Bar Tube
5085 36" Grab Bar Tube

\$140 \$206 \$230
\$166 \$233 \$293
\$187 \$260 \$285
\$224 \$301 \$347
\$330 \$410 \$485



920-3942 42" Grab Bar

\$599 \$781 \$944

Sold as complete unit



BEVELLE - 1740



Available Finishes:		PC	PN SN
1101	12" Towel Bar	\$197	\$233
G1104	32" Towel Bar	\$260	\$312



Available Finishes:		PC	PN SN
1122-18	18" Double Towel Bar	\$419	\$501
1122-24	24" Double Towel Bar	\$451	\$541
1122-32	32" Double Towel Bar	\$454	NA



Available Finishes:		PC	PN SN
1107	Spare Toilet Tissue Holder	\$183	\$221



Available Finishes:		PC	PN SN
1108D	Double Post Tissue Holder	\$348	\$420



Available Finishes:		PC	PN SN
1127	Hooded Toilet Tissue Holder	\$219	\$262



Available Finishes:		PC	PN SN
1118T-18	18" Shelf	\$322	\$385



Available Finishes:		PC	PN SN
1135T-18	18" Gallery Shelf	\$441	\$528
1135T-24	24" Gallery Shelf	\$498	NA



IMPORTANT: Order (1) Mounting Kit plus (1) Frame to make a complete unit.

Available Finishes:		PC	PN SN
114B	Hotel Shelf Mounting Kit	\$137	\$164
XX43-20	20" Hotel Shelf Frame with Towel Bar	\$306	\$366
XX43-24	24" Hotel Shelf Frame with Towel Bar	\$326	\$387



IMPORTANT: Order (1) Mounting Kit plus (1) Frame to make a complete unit.


Available Finishes:		PC	PN SN
114B	Hotel Shelf Mounting Kit	\$137	\$164
XX43S-20	20" Hotel Shelf Frame with Towel Bar, Squared Corners	\$384	\$463
XX43S-24	24" Hotel Shelf Frame with Towel Bar, Squared Corners	\$415	\$497



Available Finishes:		PC	PN SN
1181	Single Light with Nightlight Option, Satin Etched Glass	\$429	\$513



Available Finishes:		PC	PN SN
1182	Double Light Satin Etched Glass	\$655	\$765



**Mirror tilts 4.5° with mechanism.

Available Finishes:		PC	PN SN
1141	Framed Mirror 20.39" x 35" overall	\$748	\$859
MTM-009	Tilting Mechanism Optional**	\$88	\$88

CHESTERFIELD

930 | 1030



LAVATORY FAUCETS | TUB & SHOWER | TANK LEVER | ACCESSORIES | GRAB BARS

 	<p>930</p>	<p>Widespread Lavatory Faucet Cross Handles. 1/2" valves. Spout c-c 6.96". 8" centers.</p>	<p>\$878</p>	<p>\$1,251</p>	<p>\$1,505</p>
 	<p>930L</p>	<p>Widespread Lavatory Faucet Lever Handles. 1/2" valves. Spout c-c 6.96". 8" centers.</p>	<p>\$878</p>	<p>\$1,251</p>	<p>\$1,505</p>
 	<p>930B</p>	<p>Lavatory Bridge Faucet Cross Handles. 1/2" valves. Swivel Spout. Leg c-c 8" and 9.62" max. Spout c-c 5.33" and 7.21" max.</p>	<p>\$1,023</p>	<p>\$1,466</p>	<p>\$1,714</p>
 	<p>932</p>	<p>Single Hole Lavatory Faucet Cross Handles. 1/2" valves. Spout c-c 6.95".</p>	<p>\$878</p>	<p>\$1,251</p>	<p>\$1,505</p>
 	<p>101</p>	<p>Cover Plate, Optional 6" x 2-1/2".</p>	<p>\$99</p>	<p>\$142</p>	<p>\$152</p>
 	<p>1030</p>	<p>Widespread Lavatory Faucet Lever Handles. 1/2" valves. Spout c-c 6.96". 8" centers.</p>	<p>\$895</p>	<p>\$1,251</p>	<p>\$1,505</p>
	<p>1030B</p>	<p>Lavatory Bridge Faucet Lever Handles. 1/2" valves. Swivel Spout. Leg c-c 8" and 9.62" max. Spout c-c 5.33" and 7.21" max.</p>	<p>\$1,023</p>	<p>\$1,466</p>	<p>\$1,714</p>

CHESTERFIELD - 930, 1030



3-9301 Wall Mount Lavatory Faucet. Cross Handles. Spout c-c 7.25". 8" Centers. Drain not included. See Brasstech #330, 3301, 3302 or 3303. **MUST ORDER VALVE SEPARATELY.**

\$697 \$1,112 \$1,334

1-532U 2-valve rough with 1/2" NPT inlets & outlet. \$358 — —



3-9301L Wall Mount Lavatory Faucet. Lever Handles. Spout c-c 7.25". 8" Centers. Drain not included. See Brasstech #330, 3301, 3302 or 3303. **MUST ORDER VALVE SEPARATELY.**

\$697 \$1,112 \$1,334

1-532U 2-valve rough with 1/2" NPT inlets & outlet. \$358 — —



3-944 Wall Mount Lavatory Faucet. Cross Handles. Spout c-c 9.78". 8" centers. Drain not included. See Brasstech #330, 3301, 3302 or 3303. **MUST ORDER VALVE SEPARATELY.**

\$697 \$1,112 \$1,334

1-532U 2-valve rough with 1/2" NPT inlets & outlet. \$358 — —



3-944L Wall Mount Lavatory Faucet. Lever Handles. Spout c-c 9.78". 8" centers. Drain not included. See Brasstech #330, 3301, 3302 or 3303. **MUST ORDER VALVE SEPARATELY.**

\$697 \$1,112 \$1,334

1-532U 2-valve rough with 1/2" NPT inlets & outlet. \$358 — —



3-1031 Wall Mount Lavatory Faucet. Lever Handles. Spout c-c 7.25". 8" centers. Drain not included. See Brasstech #330, 3301, 3302 or 3303. **MUST ORDER VALVE SEPARATELY.**

\$697 \$1,112 \$1,334

1-532U 2-valve rough with 1/2" NPT inlets & outlet. \$358 — —



3-922BP BP Tub & Shower Set. Cross Handle. **MUST ORDER VALVE SEPARATELY.** \$875 \$1,134 \$1,309

1-685 Newport Brass BP Valve with diverter, 4 port with service stops, universal 1/2" NPT & direct sweat connections. \$384 — —



5-922BP BP Tub & Shower Trim. Cross Handle. Less tub spout, showerhead, arm and flange. **MUST ORDER VALVE SEPARATELY.** \$450 \$586 \$677









1-685 Newport Brass BP Valve with diverter, 4 port with service stops, universal 1/2" NPT & direct sweat connections. \$384 — —

See Shower & Drain Sections to complete shower.



3-1032BP BP Tub & Shower Set. Lever Handle. **MUST ORDER VALVE SEPARATELY.** \$875 \$1,134 \$1,309

1-685 Newport Brass BP Valve with diverter, 4 port with service stops, universal 1/2" NPT & direct sweat connections. \$384 — —

	5-1032BP	BP Tub & Shower Trim. Lever Handle. Less tub spout, showerhead, arm and flange. MUST ORDER VALVE SEPARATELY.	\$450	\$586	\$677
	1-685	Newport Brass BP Valve with diverter, 4 port with service stops, universal 1/2" NPT & direct sweat connections. See Shower & Drain Sections to complete shower.	\$384	—	—
	3-924BP	BP Shower Set. Cross Handle. MUST ORDER VALVE SEPARATELY.	\$666	\$863	\$998
	1-684	Newport Brass BP Valve, 3 port with service stops, universal 1/2" NPT & direct sweat connections.	\$278	—	—
	4-924BP	BP Shower Set. Cross Handle. Less showerhead, arm and flange. MUST ORDER VALVE SEPARATELY.	\$359	\$468	\$542
	1-684	Newport Brass BP Valve, 3 port with service stops, universal 1/2" NPT & direct sweat connections. See Shower & Drain Sections to complete shower.	\$278	—	—
	3-1034BP	BP Shower Set. Lever Handle. MUST ORDER VALVE SEPARATELY.	\$666	\$863	\$998
	1-684	Newport Brass BP Valve, 3 port with service stops, universal 1/2" NPT & direct sweat connections.	\$278	—	—
	4-1034BP	BP Shower Trim. Lever Handle. Less showerhead, arm and flange. MUST ORDER VALVE SEPARATELY.	\$359	\$468	\$542
	1-684	Newport Brass BP Valve, 3 port with service stops, universal 1/2" NPT & direct sweat connections. See Shower & Drain Sections to complete shower.	\$278	—	—
	2-144	Tub Spout 1/2" NPT inlet fitting. 7.56" spout overall length.	\$230	\$312	\$358
	3-925	Wall Mount Tub Faucet Cross Handles. MUST ORDER VALVE SEPARATELY.	\$761	\$990	\$1,142
	1-500U	2-valve rough with 1/2" NPT inlets & outlet.	\$358	—	—
	3-936	Roman Tub Faucet Cross Handles. Spout c-c 11.53". MUST ORDER VALVE SEPARATELY.	\$1,036	\$1,350	\$1,559
	1-502	3/4" valve for above, quick connect included.	\$438	—	—

CHESTERFIELD - 930, 1030



3-1036 Roman Tub Faucet
Lever Handles. Spout c-c 11.53".
MUST ORDER VALVE SEPARATELY. \$1,036 \$1,350 \$1,559

1-502 3/4" valve for above, quick connect included. \$438 — —



3-937 Roman Tub Faucet with Handshower
Cross Handles. Spout c-c 11.53".
MUST ORDER VALVES SEPARATELY. \$1,398 \$1,818 \$2,097

1-503 3/4" valve for above.
Includes hose & quick connect. \$883 — —



3-1037 Roman Tub Faucet with Handshower
Lever Handles. Spout c-c 11.53".
MUST ORDER VALVES SEPARATELY. \$1,398 \$1,818 \$2,097

1-503 3/4" valve for above.
Includes hose & quick connect. \$883 — —



SEE PAGE 321

930-4261 Free Standing Tub Filler
35.95" (91.3cm) spout height at outlet (from floor).
8.72" (22.2cm) spout reach (c-c).
41.93" overall height.
9.25 gallons (35 liters) per minute maximum flow rate (spout).
1.8 gallons (6.8 liters) per minute maximum flow rate (hand shower). \$2,276 \$2,883 \$3,738

1-339 Optional Rough for Free Standing Tub filler \$323 — —



933 Exposed Tub & Hand Shower Set - Deck Mount
7.25" centers. Spout c-c 9.11".
Includes: 281 Hand Shower. \$1,515 \$2,121 \$2,543



934 Exposed Tub & Hand Shower Set - Wall Mount
6" centers. Spout c-c 7".
Includes: 281 Hand Shower
Floor-mount kit item 3-196 or
3-226 sold separately. \$1,444 \$2,018 \$2,424



3-196 Floor Mount Kit for Exposed Tub Sets
Set includes: 2 each Floor Flanges
2 each 3/4" Risers - 31" high.
Stabilizer kit sold separately. \$637 \$888 \$1,066

3-226 Same as above only 24" high. \$612 \$855 \$1,029
3-192 3/4" Shut-off Valves for above (1 pair hot & cold). \$896 \$1,065 \$1,278



1-378 Optional Rough For Exposed Tub Filler
For subfloor or concrete floor installations.
3.65" overall height.
10.38" x 5" overall base size.
Universal 1/2" NPT connections. Test caps included.
For use with 3-196 or 3-226 tub risers. \$440 — —



2-734 Stabilizer Kit for Exposed Tub Floor Riser Kits
Adjustable for risers that are 6" to 9" apart.
Includes 1-1/2" finished ring for connecting kit to
tub overflow pipe. Finished plate for wall mounting
up to 10" center of riser pipes.

\$314 \$406 \$435



929 Bidet Set
Cross Handles. 1/2" valves.
Includes bottom spray with vacuum breaker.
4 hole mount bidet.

\$1,585 \$2,217 \$2,662



3-923TR 1/2" Thermostatic Trim Plate with Handles
Integrated diverter handle with independent
temperature control.
MUST ORDER VALVE SEPARATELY.

\$587 \$789 \$905



3-923TS 1/2" Thermostatic Trim Plate with Handles
Integrated diverter handle with independent
temperature control.
MUST ORDER VALVE SEPARATELY.

\$628 \$834 \$960



1-741

1-741 1/2" Thermostatic Rough-in Valve 1-Port
1-742 1/2" Thermostatic Rough-in Valve 2-Port**
1-743 1/2" Thermostatic Rough-in Valve 3-Port - Shared
1-744 1/2" Thermostatic Rough-in Valve 3-Port**
1-745 1/2" Thermostatic Rough-in Valve 2-Port - Shared
See page 348 for more details.

\$524 — —
\$627 — —
\$686 — —
\$686 — —
\$627 — —



20-146 1/2" Valve Trim Extension Kit
Extends 1-3/8". Please specify finish.

\$273 \$368 \$423



3-924TR 3/4" Thermostatic Trim Plate with Handle
MUST ORDER VALVE SEPARATELY.

\$480 \$624 \$719






3-1034TR 3/4" Thermostatic Trim Plate with Handle
MUST ORDER VALVE SEPARATELY.


\$480 \$624 \$719

CHESTERFIELD - 930, 1030

**Cal Green compliant

	1-540	3/4" Thermostatic Rough-in Valve Flow rate of 18 gallons per minute at 60 PSI. Factory calibrated comfort setting at 100-deg F, built-in check valves with service stops. IAPMO Listed. Meets ASSE Standard 1016.	\$794	—	—
MUST USE WITH SEPARATE STOP/VOLUME CONTROL					
	2-260	3/4" Valve trim extension kit Extends 1-3/8". Please specify finish.	\$190	\$259	\$311
	3-163	Diverter/Flow Control Trim. Arrow insert.	\$210	\$293	\$353
	3-163B	Diverter/Flow Control Trim. Plain insert. Use with stop or diverter valves, see page 355.	\$210	\$293	\$353
	3-241	Diverter/Flow Control Handle Trim. Arrow Insert.	\$210	\$293	\$353
	3-241B	Diverter/Flow Control Handle Trim. Plain Insert. Use with stop or diverter valves, see page 355.	\$210	\$293	\$353
	1-606U	1/2" inlet/outlet universal stop valve. (clockwise off, for cross or lever handle)	\$195	—	—
	1-607U	3/4" inlet/outlet universal stop valve. (clockwise off, for cross or lever handle)	\$265	—	—
	1-617	1/2" In-wall 2 & 3 way diverter valve 1 inlet, 3 outlets.**	\$279	—	—

1/2" in-wall diverter valves* with:

	1-701	3 function with off. 1 inlet, 3 outlets.**	\$334	—	—
	1-702	5 function with share and off. 1 inlet, 3 outlets.	\$334	—	—
	1-703	3 function with pause. 1 inlet, 3 outlets.**	\$334	—	—
	1-704	2 function with off. 1 inlet, 2 outlets.**	\$334	—	—
	1-705	3 function with share and off. 1 inlet, 2 outlets.	\$334	—	—
	1-706	2 function with pause. 1 inlet, 2 outlets.**	\$334	—	—
	1-707	3 function with share (no off). 1 inlet, 2 outlets.	\$334	—	—

*SEE PAGES 312-315
FOR HOW TO USE
THESE DIVERTERS.



2-136 Tank Lever for Chesterfield Series

\$141 \$183 \$195

6-505 Tank Lever Mechanism

\$115 \$139 \$155



2-268 Tank Lever for Chesterfield Series

\$141 \$183 \$195

6-505 Tank Lever Mechanism

\$115 \$139 \$155



890-1230 18" Towel Bar

\$208 \$253 \$304

890-1250 24" Towel Bar

\$227 \$269 \$324



890-1400 Towel Ring - Open

\$192 \$230 \$277



890-1410 Towel Ring

\$154 \$185 \$222



890-1650 Single Robe Hook

\$68 \$83 \$99



890-1660 Double Robe Hook

\$138 \$166 \$199



890-1510 Hanging Toilet Tissue Holder

\$192 \$230 \$277



890-1500 Double Post Toilet Tissue Holder

\$204

\$248

\$297

HOW TO ORDER: **STEP 1: Select Decorative Rings and Mounting Kit**
STEP 2: Select Grab Bar Tube



STEP 1: 920-2400 Decorative Rings and Mounting Kit

\$160

\$218

\$274

STEP 2: 5080 12" Grab Bar Tube

\$140

\$206

\$230

5081 16" Grab Bar Tube

\$166

\$233

\$293

5082 18" Grab Bar Tube

\$187

\$260

\$285

5083 24" Grab Bar Tube

\$224

\$301

\$347

5085 36" Grab Bar Tube

\$330

\$410

\$485



920-3942 42" Grab Bar

\$599

\$781

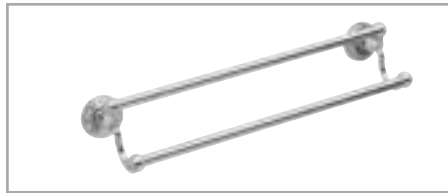
\$944

Sold as complete unit





Available Finishes:		PC	PN	SN
1101	12" Towel Bar	\$197	\$233	
G1104	32" Towel Bar	\$260	\$312	



Available Finishes:		PC	PN	SN
1122-18	18" Double Towel Bar	\$419	\$501	
1122-24	24" Double Towel Bar	\$451	\$541	
1122-32	32" Double Towel Bar	\$454	NA	



Available Finishes:		PC	PN	SN
1107	Spare Toilet Tissue Holder	\$183	\$221	



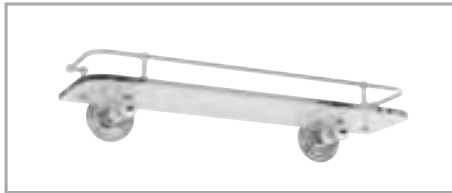
Available Finishes:		PC	PN	SN
1108D	Double Post Tissue Holder	\$348	\$420	



Available Finishes:		PC	PN	SN
1127	Hooded Toilet Tissue Holder	\$219	\$262	



Available Finishes:		PC	PN	SN
1118T-18	18" Shelf	\$322	\$385	



Available Finishes:		PC	PN	SN
1135T-18	18" Gallery Shelf	\$441	\$528	
1135T-24	24" Gallery Shelf	\$498	NA	



IMPORTANT: Order (1) Mounting Kit plus (1) Frame to make a complete unit.

Available Finishes:		PC	PN	SN
114B	Hotel Shelf Mounting Kit	\$137	\$164	
XX43-20	20" Hotel Shelf Frame with Towel Bar	\$306	\$366	
XX43-24	24" Hotel Shelf Frame with Towel Bar	\$326	\$387	



IMPORTANT: Order (1) Mounting Kit plus (1) Frame to make a complete unit.

Available Finishes:		PC	PN	SN
114B	Hotel Shelf Mounting Kit	\$137	\$164	
XX43S-20	20" Hotel Shelf Frame with Towel Bar, Squared Corners	\$384	\$463	
XX43S-24	24" Hotel Shelf Frame with Towel Bar, Squared Corners	\$415	\$497	



Available Finishes:		PC	PN	SN
1181	Single Light with Nightlight Option, Satin Etched Glass	\$429	\$513	



Available Finishes:		PC	PN	SN
1182	Double Light Satin Etched Glass	\$655	\$765	



Available Finishes:		PC	PN	SN
1141	Framed Mirror 20.39" x 35" overall	\$748	\$859	
MTM-009	Tilting Mechanism Optional**	\$88	\$88	

**Mirror tilts 4.5° with mechanism.

CLEMENS

3250 | 3260



LAVATORY FAUCETS | TUB & SHOWER | ACCESSORIES | GRAB BARS



3250 Widespread Lavatory Faucet
Lever Handles.
1/2" valves. Spout c-c 6.13".
8" centers. \$1,153 \$1,584 \$1,867



3260 Widespread Lavatory Faucet
Cross Handles.
1/2" valves. Spout c-c 6.13".
8" centers. \$1,153 \$1,584 \$1,867



3-3251 Wall Mount Lavatory Faucet
Lever Handles. Spout c-c 8.25".
8" centers. Drain not included.
See Brasstech #330, 3301, 3302 or 3303.
MUST ORDER VALVE SEPARATELY. \$855 \$1,196 \$1,494

1-532U 2-valve rough with 1/2" NPT inlets & outlet. \$358 — —



3-3261 Wall Mount Lavatory Faucet
Cross Handles. Spout c-c 8.25".
8" centers. Drain not included.
See Brasstech #330, 3301, 3302 or 3303
MUST ORDER VALVE SEPARATELY. \$855 \$1,196 \$1,494

1-532U 2-valve rough with 1/2" NPT inlets & outlet. \$358 — —



5-3252BP BP Tub & Shower Trim. Lever Handle.
Less tub spout, showerhead, arm and flange.
MUST ORDER VALVE SEPARATELY. \$759 \$1,062 \$1,191

1-685 Newport Brass BP Valve with diverter, 4 port with
service stops, universal 1/2" NPT & direct sweat
connections. \$384 — —









See Shower & Drain Sections to complete shower.



5-3262BP BP Tub & Shower Trim. Cross Handle.
Less tub spout, showerhead, arm and flange.
MUST ORDER VALVE SEPARATELY. \$759 \$1,062 \$1,191

1-685 Newport Brass BP Valve with diverter, 4 port with
service stops, universal 1/2" NPT & direct sweat
connections. \$384 — —

See Shower & Drain Sections to complete shower.

	4-3254BP	BP Shower Trim. Lever Handle. Less showerhead, arm and flange. MUST ORDER VALVE SEPARATELY.	\$674	\$942	\$1,076
	1-684	Newport Brass BP Valve, 3 port with service stops, universal 1/2" NPT & direct sweat connections. See Shower & Drain Sections to complete shower.	\$278	—	—
	4-3264BP	BP Shower Trim. Cross Handle. Less showerhead, arm and flange. MUST ORDER VALVE SEPARATELY.	\$674	\$942	\$1,076
	1-684	Newport Brass BP Valve, 3 port with service stops, universal 1/2" NPT & direct sweat connections. See Shower & Drain Sections to complete shower.	\$278	—	—
	3-642	Tub Spout 1/2" NPT inlet fitting. 8.82" spout overall length.	\$363	\$491	\$564
	3-3255	Wall Mount Tub Faucet. Lever Handles. MUST ORDER VALVE SEPARATELY.	\$898	\$1,257	\$1,457
	1-500U	2-valve rough with 1/2" NPT inlets & outlet.	\$358	—	—
	3-3265	Wall Mount Tub Faucet. Cross Handles. MUST ORDER VALVE SEPARATELY.	\$898	\$1,257	\$1,457
	1-500U	2-valve rough with 1/2" NPT inlets & outlet.	\$358	—	—
	3-3256	Roman Tub Faucet Lever Handles. Spout c-c 8.25". MUST ORDER VALVE SEPARATELY.	\$1,339	\$1,874	\$2,153
	1-697	3/4" Valve for above. Quick connect included.	\$438	—	—
	3-3266	Roman Tub Faucet Cross Handles. Spout c-c 8.25". MUST ORDER VALVE SEPARATELY.	\$1,339	\$1,874	\$2,153
	1-697	3/4" Valve for above. Quick connect included.	\$438	—	—
	3-3257	Roman Tub Faucet with Handshower Lever Handles. Spout c-c 8.25". MUST ORDER VALVE SEPARATELY.	\$1,782	\$2,358	\$2,778
	1-698	3/4" valve for above. Includes hose and quick connect.	\$883	—	—



CLEMENS - 3250, 3260



3-3267	Roman Tub Faucet with Handshower Cross Handles. Spout c-c 8.25". MUST ORDER VALVE SEPARATELY.	\$1,782	\$2,358	\$2,778
1-698	3/4" valve for above. Includes hose and quick connect.	\$883	—	—



3259	Bidet Set Lever Handles. 1/2" valves. Includes bottom spray with vacuum breaker, 4 hole mount bidet.	\$1,945	\$2,721	\$2,994
-------------	---------------------------------------------------------------------------------------------------------------	---------	---------	---------



3269	Bidet Set Cross Handles. 1/2" valves. Includes bottom spray with vacuum breaker, 4 hole mount bidet.	\$1,945	\$2,721	\$2,994
-------------	---------------------------------------------------------------------------------------------------------------	---------	---------	---------



3-3253TR	1/2" Thermostatic Trim Plate with Handles Integrated diverter handle with independent temperature control. MUST ORDER VALVE SEPARATELY.	\$827	\$1,159	\$1,335
-----------------	---------------------------------------------------------------------------------------------------------------------------------------------------------	-------	---------	---------



3-3263TR	1/2" Thermostatic Trim Plate with Handles Integrated diverter handle with independent temperature control. MUST ORDER VALVE SEPARATELY.	\$827	\$1,159	\$1,335
-----------------	---------------------------------------------------------------------------------------------------------------------------------------------------------	-------	---------	---------



1-741

1-741	1/2" Thermostatic Rough-in Valve 1-Port	\$524	—	—
1-742	1/2" Thermostatic Rough-in Valve 2-Port**	\$627	—	—
1-743	1/2" Thermostatic Rough-in Valve 3-Port - Shared	\$686	—	—
1-744	1/2" Thermostatic Rough-in Valve 3-Port**	\$686	—	—
1-745	1/2" Thermostatic Rough-in Valve 2-Port - Shared	\$627	—	—

See page 348 for more details.



20-146	1/2" Valve Trim Extension Kit Extends 1-3/8". Please specify finish.	\$273	\$368	\$423
---------------	-------------------------------------------------------------------------	-------	-------	-------



3-3254TR	3/4" Thermostatic Trim Plate with Handle MUST ORDER VALVE SEPARATELY.	\$775	\$1,044	\$1,298
-----------------	---------------------------------------------------------------------------------	-------	---------	---------



3-3264TR 3/4" Thermostatic Trim Plate with Handle
MUST ORDER VALVE SEPARATELY. \$775 \$1,044 \$1,298



1-540 3/4" Thermostatic Rough-in Valve
Flow rate of 18 gallons per minute at 60 PSI.
Factory calibrated comfort setting at 100-deg F,
built-in check valves with service stops.
IAPMO Listed. Meets ASSE Standard 1016.
MUST USE WITH SEPARATE STOP/VOLUME CONTROL \$794 — —



2-260 3/4" Valve trim extension kit
Extends 1-3/8". Please specify finish. \$190 \$259 \$311



3-647 Diverter/Flow Control Trim
Use with stop or diverter valves, see page 355. \$241 \$338 \$421



3-646 Diverter/Flow Control Trim
Use with stop or diverter valves, see page 355. \$241 \$338 \$421



1-606U 1/2" inlet/outlet universal stop valve.
(clockwise off, for cross or lever handle) \$195 — —

1-607U 3/4" inlet/outlet universal stop valve.
(clockwise off, for cross or lever handle) \$265 — —



1-617 1/2" In-wall 2 & 3 way diverter valve
1 inlet, 3 outlets.** \$279 — —



1/2" in-wall diverter valves* with:

1-701 3 function with off. 1 inlet, 3 outlets.** \$334 — —

1-702 5 function with share and off. 1 inlet, 3 outlets. \$334 — —

1-703 3 function with pause. 1 inlet, 3 outlets.** \$334 — —

*SEE PAGES 312-315
FOR HOW TO USE
THESE DIVERTERS.



*SEE PAGES 312-315 FOR HOW TO USE THESE DIVERTERS.

1/2" in-wall diverter valves* with:

1-704	2 function with off. 1 inlet, 2 outlets.**	\$334	—	—
1-705	3 function with share and off. 1 inlet, 2 outlets.	\$334	—	—
1-706	2 function with pause. 1 inlet, 2 outlets.**	\$334	—	—
1-707	3 function with share (no off). 1 inlet, 2 outlets.	\$334	—	—



3250-1230	18" Towel Bar	\$298	\$357	\$447
3250-1250	24" Towel Bar	\$331	\$400	\$499



3250-1410	Towel Ring	\$227	\$273	\$340
------------------	------------	-------	-------	-------



3250-1650	Single Robe Hook	\$185	\$250	\$313
------------------	------------------	-------	-------	-------



3250-1660	Double Robe Hook	\$210	\$276	\$337
------------------	------------------	-------	-------	-------



3250-1510	Hanging Toilet Tissue Holder	\$225	\$271	\$305
------------------	------------------------------	-------	-------	-------



3250-1530	Double Post Toilet Tissue Holder	\$309	\$374	\$436
------------------	----------------------------------	-------	-------	-------

HOW TO ORDER: **STEP 1:** Select Decorative Rings and Mounting Kit
STEP 2: Select Grab Bar Tube



STEP 1: 990-2400 Decorative Rings and Mounting Kit \$160 \$218 \$274



STEP 2:

5080	12" Grab Bar Tube	\$140	\$206	\$230
5081	16" Grab Bar Tube	\$166	\$233	\$293
5082	18" Grab Bar Tube	\$187	\$260	\$285
5083	24" Grab Bar Tube	\$224	\$301	\$347
5085	36" Grab Bar Tube	\$330	\$410	\$485



990-3942 42" Grab Bar \$599 \$781 \$944

Sold as complete unit



DORRANCE

2970 | 2980



LAVATORY FAUCETS | TUB & SHOWER | TANK LEVER | ACCESSORIES | GRAB BARS



2970 Widespread Lavatory Faucet
Lever Handles.
1/2" valves. Spout c-c 5.53".
8" centers. \$1,150 \$1,555 \$1,776



2980 Widespread Lavatory Faucet
Cross Handles.
1/2" valves. Spout c-c 5.53".
8" centers. \$1,150 \$1,555 \$1,776



3-2971 Wall Mount Lavatory Faucet
Lever Handles. Spout c-c 7.11".
8" centers. Drain not included.
See Brasstech #330, 3301, 3302 or 3303.
MUST ORDER VALVE SEPARATELY. \$936 \$1,830 \$2,103

1-532U 2-valve rough with 1/2" NPT inlets & outlet. \$358 — —



3-2981 Wall Mount Lavatory Faucet
Cross Handles. Spout c-c 7.11".
8" centers. Drain not included.
See Brasstech #330, 3301, 3302 or 3303.
MUST ORDER VALVE SEPARATELY. \$936 \$1,830 \$2,103

1-532U 2-valve rough with 1/2" NPT inlets & outlet. \$358 — —



5-2972BP BP Tub & Shower Trim. Lever Handle.
Less tub spout, showerhead, arm and flange.
MUST ORDER VALVE SEPARATELY. \$774 \$1,008 \$1,161

1-685 Newport Brass BP Valve with diverter, 4 port with
service stops, universal 1/2" NPT & direct sweat
connections. \$384 — —













See Shower & Drain Sections to complete shower.

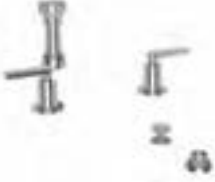









5-2982BP BP Tub & Shower Trim. Cross Handle.
Less tub spout, showerhead, arm and flange.
MUST ORDER VALVE SEPARATELY. \$774 \$1,008 \$1,161


1-685 Newport Brass BP Valve with diverter, 4 port with
service stops, universal 1/2" NPT & direct sweat
connections. \$384 — —


See Shower & Drain Sections to complete shower.


	3-2974BP	BP Shower Set. Lever Handle. MUST ORDER SEPARATELY.	\$1,160	\$1,560	\$1,802
	1-684	Newport Brass BP Valve, 3 port with service stops, universal 1/2" NPT & direct sweat connections.	\$278	—	—
	4-2974BP	BP Shower Trim. Lever Handle. Less showerhead, arm and flange. MUST ORDER SEPARATELY.	\$751	\$979	\$1,129
	1-684	Newport Brass BP Valve, 3 port with service stops, universal 1/2" NPT & direct sweat connections. See Shower & Drain Sections to complete shower.	\$278	—	—
	4-2984BP	BP Shower Trim. Cross Handle. Less showerhead, arm and flange. MUST ORDER SEPARATELY.	\$751	\$979	\$1,129
	1-684	Newport Brass BP Valve, 3 port with service stops, universal 1/2" NPT & direct sweat connections. See Shower & Drain Sections to complete shower.	\$278	—	—
	3-234	Tub Spout 1/2" NPT inlet fitting. 7" spout overall length.	\$227	\$301	\$347
	3-2975	Wall Mount Tub Faucet. Lever Handles. MUST ORDER VALVES SEPARATELY.	\$889	\$1,202	\$1,381
	1-500U	2-valve rough with 1/2" NPT inlets & outlet.	\$358	—	—
	3-2985	Wall Mount Tub Faucet. Cross Handles. MUST ORDER VALVES SEPARATELY.	\$889	\$1,202	\$1,381
	1-500U	2-valve rough with 1/2" NPT inlets & outlet.	\$358	—	—
	3-2976	Roman Tub Faucet Lever Handles. Spout c-c 7.88". MUST ORDER VALVES SEPARATELY.	\$1,327	\$1,791	\$2,061
	1-665	3/4" Valve for above. Quick connect included.	\$438	—	—
	3-2977	Roman Tub Faucet with Handshower Lever Handles. Spout c-c 7.88". MUST ORDER VALVES SEPARATELY.	\$1,824	\$2,371	\$2,739
	1-666	3/4" valve for above. Includes hose and quick connect.	\$883	—	—


	<p>2979</p>	<p>Bidet Set Lever Handles. 1/2" valves. Includes bottom spray with vacuum breaker, 4 hole mount bidet.</p>	<p>\$1,408</p>	<p>\$1,871</p>	<p>\$2,151</p>
	<p>3-2973TR</p>	<p>1/2" Thermostatic Trim Plate with Handles Integrated diverter handle with independent temperature control. MUST ORDER VALVE SEPARATELY.</p>	<p>\$819</p>	<p>\$1,094</p>	<p>\$1,257</p>
	<p>3-2983TR</p>	<p>1/2" Thermostatic Trim Plate with Handles Integrated diverter handle with independent temperature control. MUST ORDER VALVE SEPARATELY.</p>	<p>\$819</p>	<p>\$1,094</p>	<p>\$1,257</p>
 <p>1-741</p>	<p>1-741</p>	<p>1/2" Thermostatic Rough-in Valve 1-Port</p>	<p>\$524</p>	<p>—</p>	<p>—</p>
	<p>1-742</p>	<p>1/2" Thermostatic Rough-in Valve 2-Port**</p>	<p>\$627</p>	<p>—</p>	<p>—</p>
	<p>1-743</p>	<p>1/2" Thermostatic Rough-in Valve 3-Port - Shared</p>	<p>\$686</p>	<p>—</p>	<p>—</p>
	<p>1-744</p>	<p>1/2" Thermostatic Rough-in Valve 3-Port**</p>	<p>\$686</p>	<p>—</p>	<p>—</p>
	<p>1-745</p>	<p>1/2" Thermostatic Rough-in Valve 2-Port - Shared</p>	<p>\$627</p>	<p>—</p>	<p>—</p>
		<p>See page 348 for more details.</p>			
	<p>20-146</p>	<p>1/2" Valve Trim Extension Kit Extends 1-3/8". Please specify finish.</p>	<p>\$273</p>	<p>\$368</p>	<p>\$423</p>
	<p>3-2974TR</p>	<p>3/4" Thermostatic Trim Plate with Handle MUST ORDER VALVE SEPARATELY.</p>	<p>\$887</p>	<p>\$1,154</p>	<p>\$1,305</p>
	<p>3-2984TR</p>	<p>3/4" Thermostatic Trim Plate with Handle MUST ORDER VALVE SEPARATELY.</p>	<p>\$887</p>	<p>\$1,154</p>	<p>\$1,305</p>
	<p>1-540</p>	<p>3/4" Thermostatic Rough-in Valve Flow rate of 18 gallons per minute at 60 PSI. Factory calibrated comfort setting at 100-deg F, built-in check valves with service stops. IAPMO Listed. Meets ASSE Standard 1016.</p>	<p>\$794</p>	<p>—</p>	<p>—</p>
		<p>MUST USE WITH SEPARATE STOP/VOLUME CONTROL</p>			


**Cal Green compliant

	2-260	3/4" Valve trim extension kit Extends 1-3/8". Please specify finish.	\$190	\$259	\$311
-----------------------------------------------------------------------------------	--------------	-------------------------------------------------------------------------	-------	-------	-------


	3-573	Diverter/Flow Control Trim Use with stop or diverter valves, see page 355.	\$228	\$308	\$355
-----------------------------------------------------------------------------------	--------------	-------------------------------------------------------------------------------	-------	-------	-------

	3-575	Diverter/Flow Control Trim Use with stop or diverter valves, see page 355.	\$228	\$308	\$355
-----------------------------------------------------------------------------------	--------------	-------------------------------------------------------------------------------	-------	-------	-------

	1-606U	1/2" inlet/outlet universal stop valve. (clockwise off, for cross or lever handle)	\$195	—	—
	1-607U	3/4" inlet/outlet universal stop valve. (clockwise off, for cross or lever handle)	\$265	—	—

	1-617	1/2" In-wall 2 & 3 way diverter valve 1 inlet, 3 outlets.**	\$279	—	—
-------------------------------------------------------------------------------------	--------------	----------------------------------------------------------------	-------	---	---

1/2" in-wall diverter valves* with:

	1-701	3 function with off. 1 inlet, 3 outlets.**	\$334	—	—
	1-702	5 function with share and off. 1 inlet, 3 outlets.	\$334	—	—
	1-703	3 function with pause. 1 inlet, 3 outlets.**	\$334	—	—
	1-704	2 function with off. 1 inlet, 2 outlets.**	\$334	—	—
	1-705	3 function with share and off. 1 inlet, 2 outlets.	\$334	—	—
	1-706	2 function with pause. 1 inlet, 2 outlets.**	\$334	—	—
	1-707	3 function with share (no off). 1 inlet, 2 outlets.	\$334	—	—

*SEE PAGES 312-315
FOR HOW TO USE
THESE DIVERTERS.

	42-01	18" Towel Bar	\$323	\$386	\$418
	42-02	24" Towel Bar	\$341	\$408	\$437

DORRANCE - 2970, 2980

**Cal Green compliant



42-09 Towel Ring \$233 \$293 \$314



42-12 Single Robe Hook \$135 \$159 \$199



42-13 Double Robe Hook \$166 \$203 \$230



42-27 Hanging Toilet Tissue Holder \$236 \$284 \$323



42-28 Double Post Toilet Tissue Holder \$278 \$337 \$395

HOW TO ORDER: **STEP 1:** Select Decorative Rings and Mounting Kit
STEP 2: Select Grab Bar Tube



STEP 1: **2480-2400** Decorative Rings and Mounting Kit \$206 \$230 \$282

STEP 2:
5080SQ 12" Grab Bar Tube \$181 \$215 \$250
5081SQ 16" Grab Bar Tube \$221 \$297 \$350
5082SQ 18" Grab Bar Tube \$244 \$299 \$365
5083SQ 24" Grab Bar Tube \$283 \$340 \$402
5085SQ 36" Grab Bar Tube \$369 \$462 \$533




2480-3942 42" Grab Bar \$691 \$933 \$1,074

Sold as complete unit





Available Finishes:		PC	MB PN, SN
4622-24	24" Double Towel Bar	\$389	\$469



Available Finishes:		PC	MB PN, SN
4607	Spare Toilet Tissue Holder	\$199	\$237



Available Finishes:		PC	MB PN, SN
4609	Double Open Toilet Tissue Holder	\$223	\$281



Available Finishes:		PC	MB PN, SN
4627	Double Toilet Tissue Holder with Cover	\$327	\$409



Available Finishes:		PC	MB PN, SN
4610T	Triple Pivoting Robe Hook	\$221	\$254



Available Finishes:		PC	MB PN, SN
4619T-12	12" Shelf with Towel Bar	\$408	\$511



Available Finishes:		PC	MB PN, SN
4619T-24	24" Shelf with Towel Bar	\$439	\$527



Available Finishes:		PC	MB PN, SN
4634T	24" Shelf	\$300	\$363




IMPORTANT: Order (1) Mounting Kit plus (1) Frame to make a complete unit.

Available Finishes:		PC	MB PN, SN
464B	Hotel Shelf Mounting Kit	\$128	\$155
XX43-20	20" Hotel Shelf Frame with Towel Bar	\$306	\$366
XX43-24	24" Hotel Shelf Frame with Towel Bar	\$326	\$387




IMPORTANT: Order (1) Mounting Kit plus (1) Frame to make a complete unit.


Available Finishes:		PC	MB PN, SN
464B	Hotel Shelf Mounting Kit	\$128	\$155
XX43S-20	20" Hotel Shelf Frame w/Towel Bar, Squared Corners	\$384	\$463
XX43S-24	24" Hotel Shelf Frame w/Towel Bar, Squared Corners	\$415	\$497



Available Finishes:		PC	MB PN, SN
4681	Single Light 3.6" ϕ Rosette	\$466	\$561
4681L	Single Light 4.6" ϕ Rosette	\$483	\$580



Available Finishes:		PC	MB PN, SN
4682	Double Light, 3.6" ϕ Rosette	\$532	\$638
4682L	Double Light, 4.6" ϕ Rosette	\$549	\$662




Available Finishes:		NO FINISH
4641N	16"x34" Overall Frameless Mirror	\$412



EAST LINEAR

990 | 1500

LAVATORY FAUCETS | TUB & SHOWER | TANK LEVER | ACCESSORIES | GRAB BARS

 	<p>990</p>	<p>Widespread Lavatory Faucet Cross Handles. 1/2" valves. Spout c-c 7.13". 8" centers.</p>	<p>\$1,023</p>	<p>\$1,434</p>	<p>\$1,726</p>
 	<p>990L</p>	<p>Widespread Lavatory Faucet Lever Handles. 1/2" valves. Spout c-c 7.13". 8" centers.</p>	<p>\$1,023</p>	<p>\$1,434</p>	<p>\$1,726</p>
 	<p>1500</p>	<p>Widespread Lavatory Faucet Lever Handles. 1/2" valves. Spout c-c 7.13". 8" centers.</p>	<p>\$1,023</p>	<p>\$1,434</p>	<p>\$1,726</p>
 	<p>1503</p>	<p>Single Hole Lavatory Faucet 2.59" (6.6cm) Spout height at outlet. 4.03" (10.2cm) Spout reach (c-c).</p>	<p>\$923</p>	<p>\$1,232</p>	<p>\$1,475</p>
 	<p>1508</p>	<p>Single Hole Vessel Faucet 7.92" (20.1cm) spout height at outlet. 4.03" (10.2cm) spout reach (c-c). Drains not included. For lavatory sink drains, see Brasstech # 330, 3301, 3302, or 3303. For bar sink drains, see #130 or 131.</p>	<p>\$987</p>	<p>\$1,329</p>	<p>\$1,594</p>
 	<p>3-991</p>	<p>Wall Mount Lavatory Faucet Cross Handles. Spout c-c 9.50". 8" centers. Drain not included. See Brasstech # 330, 3301, 3302 or 3303. MUST ORDER VALVES SEPARATELY.</p>	<p>\$761</p>	<p>\$990</p>	<p>\$1,142</p>
	<p>1-532U</p>	<p>2-valve rough with 1/2" NPT inlets & outlet.</p>	<p>\$358</p>	<p>—</p>	<p>—</p>



3-991L Wall Mount Lavatory Faucet
Lever Handles. Spout c-c 9.50" . 8" centers.
Drain not included. See Brasstech
330, 3301, 3302 or 3303.
MUST ORDER VALVES SEPARATELY.

1-532U 2 valve rough with 1/2" NPT inlets & outlet. \$358 — —



3-1501 Wall Mount Lavatory Faucet
Lever Handles. Spout c-c 9.50" . 8" center.
Drain not included. See Brasstech
330, 3301, 3302 or 3303.
MUST ORDER VALVES SEPARATELY.

1-532U 2 valve rough with 1/2" NPT inlets & outlet. \$358 — —



3-992BP BP Tub & Shower Set. Cross Handle.
MUST ORDER VALVE SEPARATELY. \$942 \$1,227 \$1,415

1-685 Newport Brass BP Valve with diverter, 4 port with
service stops, universal 1/2" NPT & direct sweat
connections. \$384 — —



5-992BP BP Tub & Shower Trim. Cross Handle.
Less tub spout, showerhead, arm and flange.
MUST ORDER VALVE SEPARATELY. \$492 \$638 \$736

1-685 Newport Brass BP Valve with diverter, 4 port with
service stops, universal 1/2" NPT & direct sweat
connections. \$384 — —

See Shower & Drain Sections to complete shower.



5-992LBP BP Tub & Shower Trim. Lever Handle.
Less tub spout, showerhead, arm and flange.
MUST ORDER VALVE SEPARATELY. \$492 \$638 \$736

1-685 Newport Brass BP Valve with diverter, 4 port with
service stops, universal 1/2" NPT & direct sweat
connections. \$384 — —

See Shower & Drain Sections to complete shower.



3-1502BP BP Tub & Shower Set. Lever Handle.
MUST ORDER VALVE SEPARATELY. \$942 \$1,227 \$1,415

1-685 Newport Brass BP Valve with diverter, 4 port with
service stops, universal 1/2" NPT & direct sweat
connections. \$384 — —



5-1502BP BP Tub & Shower Trim. Lever Handle.
Less tub spout, showerhead, arm and flange.
MUST ORDER VALVE SEPARATELY. \$492 \$638 \$736









1-685 Newport Brass BP Valve with diverter, 4 port with
service stops, universal 1/2" NPT & direct sweat
connections. \$384 — —

See Shower & Drain Sections to complete shower.



3-994BP BP Shower Set. Cross Handle.
MUST ORDER VALVE SEPARATELY. \$705 \$914 \$1,057


1-684 Newport Brass BP Valve, 3 port with service stops,
universal 1/2" NPT & direct sweat connections. \$278 — —


	4-994BP	BP Shower Trim. Cross Handle. Less showerhead, arm and flange. MUST ORDER VALVE SEPARATELY.	\$400	\$519	\$597
	1-684	Newport Brass BP Valve, 3 port with service stops, universal 1/2" NPT & direct sweat connections. See Shower & Drain Sections to complete shower.	\$278	—	—
	3-994LBP	BP Shower Set. Lever Handle. MUST ORDER VALVE SEPARATELY.	\$705	\$914	\$1,057
	1-684	Newport Brass BP Valve, 3 port with service stops, universal 1/2" NPT & direct sweat connections.	\$278	—	—
	4-994LBP	BP Shower Trim. Lever Handle. Less showerhead, arm and flange. MUST ORDER VALVE SEPARATELY.	\$400	\$519	\$597
	1-684	Newport Brass BP Valve, 3 port with service stops, universal 1/2" NPT & direct sweat connections. See Shower & Drain Sections to complete shower.	\$278	—	—
	3-1504BP	BP Shower Set. Lever Handle. MUST ORDER VALVE SEPARATELY.	\$705	\$914	\$1,057
	1-684	Newport Brass BP Valve, 3 port with service stops, universal 1/2" NPT & direct sweat connections.	\$278	—	—
	4-1504BP	BP Shower Trim. Lever Handle. Less showerhead, arm and flange. MUST ORDER VALVE SEPARATELY.	\$400	\$519	\$597
	1-684	Newport Brass BP Valve, 3 port with service stops, universal 1/2" NPT & direct sweat connections. See Shower & Drain Sections to complete shower.	\$278	—	—
	3-234	Tub Spout 1/2" NPT inlet fitting. 7" spout overall length.	\$227	\$301	\$347
	3-995	Wall Mount Tub Faucet Cross Handles. MUST ORDER VALVES SEPARATELY.	\$761	\$990	\$1,142
	1-500U	2-valve rough with 1/2" NPT inlets & outlet.	\$358	—	—
	3-995L	Wall Mount Tub Faucet Lever Handles. MUST ORDER VALVES SEPARATELY.	\$761	\$990	\$1,142
	1-500U	2-valve rough with 1/2" NPT inlets & outlet.	\$358	—	—


	3-1505	Wall Mount Tub Faucet Lever Handles. MUST ORDER VALVES SEPARATELY.	\$761	\$990	\$1,142
	1-500U	2-valve rough with 1/2" NPT inlets & outlet.	\$358	—	—
	3-996	Roman Tub Faucet Cross Handles. Spout c-c 7.88". MUST ORDER VALVES SEPARATELY.	\$1,117	\$1,452	\$1,679
	1-502	3/4" valve for above, quick connect included.	\$438	—	—
	3-996L	Roman Tub Faucet Lever Handles. Spout c-c 7.88". MUST ORDER VALVES SEPARATELY.	\$1,117	\$1,452	\$1,679
	1-502	3/4" valve for above, quick connect included.	\$438	—	—
	3-997	Roman Tub Faucet with Handshower Cross Handles. Spout c-c 7.88". MUST ORDER VALVES SEPARATELY.	\$1,504	\$1,954	\$2,252
	1-503	3/4" valve for above. Includes hose and quick connect.	\$883	—	—
	3-997L	Roman Tub Faucet with Handshower Lever Handles. Spout c-c 7.88". MUST ORDER VALVES SEPARATELY.	\$1,504	\$1,954	\$2,252
	1-503	3/4" valve for above. Includes hose and quick connect.	\$883	—	—
	2480-4261	Free Standing Tub Filler 38.03" (96.6cm) spout height at outlet (from floor). 8.66" (22.0cm) spout reach (c-c). 43" overall height. 9.25 gallons (35 liters) per minute maximum flow rate (spout). 1.8 gallons (6.8 liters) per minute maximum flow rate (hand shower).	\$2,276	\$2,883	\$3,738
SEE PAGE 322					
	1-339	Optional Rough for Freestanding Tub Filler For subfloor and concrete floor installations. 4.53" overall height. 7.20" overall base diameter. Universal 3/4" NPT and 1/2" direct sweat connections. Test caps included.	\$323	—	—
	1500-4262	Exposed Tub and Hand Shower Set with Risers Cross Handles. 35.19" (89.4 cm) spout height at outlet (from floor). 9.3" (23.6 cm) spout reach (c-c). 41.9" overall height. 14 gallons (53 liters) per minute maximum flow rate (spout). 1.8 gallons (6.8 liters) per minute maximum flow rate (hand shower).	\$2,601	\$3,399	\$3,982


EAST LINEAR - 990, 1500


NEW


NEW		1500-4263 Exposed Tub and Hand Shower Set with Risers Lever Handles. 35.19" (89.4 cm) spout height at outlet (from floor). 9.3" (23.6 cm) spout reach (c-c). 41.9" overall height. 14 gallons (53 liters) per minute maximum flow rate (spout). 1.8 gallons (6.8 liters) per minute maximum flow rate (hand shower).	\$2,601	\$3,399	\$3,982
------------	-----------------------------------------------------------------------------------	-----------------------------------------------------------------------------------------------------------------------------------------------------------------------------------------------------------------------------------------------------------------------------------------------------------------------------------------------	---------	---------	---------


NEW		1-469 Required Rough for Exposed Tub Filler with Risers For subfloor or concrete floor installations. 3.65" overall height. 10.38" x 5" overall base size. Universal 1/2" NPT connections. Test caps included. For use with 1500-426X tub fillers with risers.	\$549	—	—
------------	-----------------------------------------------------------------------------------	-----------------------------------------------------------------------------------------------------------------------------------------------------------------------------------------------------------------------------------------------------------------------------------------	-------	---	---


NEW		1500-4272 Exposed Tub and Hand Shower Set - Deck Mount. Cross Handles. 7.03" centers. Spout c-c 9". Includes: 283-101 Hand Shower.	\$1,998	\$2,697	\$3,371
------------	-----------------------------------------------------------------------------------	----------------------------------------------------------------------------------------------------------------------------------------------------	---------	---------	---------









NEW		1500-4273 Exposed Tub and Hand Shower Set - Deck Mount. Lever Handles. 7.03" centers. Spout c-c 9". Includes: 283-101 Hand Shower.	\$1,998	\$2,697	\$3,371
------------	------------------------------------------------------------------------------------	----------------------------------------------------------------------------------------------------------------------------------------------------	---------	---------	---------

NEW		1500-4282 Exposed Tub and Hand Shower Set - Wall Mount. Cross Handles. 7.03" centers. Spout c-c 9". Includes: 283-101 Hand Shower. No separate riser kit available. MUST ORDER VALVE SEPARATELY.	\$1,798	\$2,497	\$3,171
		1-483 Rough for Wall Mount Exposed Tub & Hand Shower Set 1/2" NPT eccentric nipple. Test caps included.	\$439	—	—

NEW		1500-4283 Exposed Tub and Hand Shower Set - Wall Mount. Lever Handles. 7.03" centers. Spout c-c 9". Includes: 283-101 Hand Shower. No separate riser kit available. MUST ORDER VALVE SEPARATELY.	\$1,798	\$2,497	\$3,171
		1-483 Rough for Wall Mount Exposed Tub & Hand Shower Set 1/2" NPT eccentric nipple. Test caps included.	\$439	—	—

	999L Bidet Set Lever Handles. 1/2" valves. Includes bottom spray with vacuum breaker, 4 hole mount bidet.	\$1,601	\$2,246	\$2,696
-------------------------------------------------------------------------------------	---------------------------------------------------------------------------------------------------------------------------	---------	---------	---------

	3-993TR 1/2" Thermostatic Trim Plate with Handles Integrated diverter handle with independent temperature control. MUST ORDER VALVE SEPARATELY.	\$628	\$834	\$960
-------------------------------------------------------------------------------------	------------------------------------------------------------------------------------------------------------------------------------------------------------------------	-------	-------	-------

	3-1503TR	1/2" Thermostatic Trim Plate with Handles Integrated diverter handle with independent temperature control. MUST ORDER VALVE SEPARATELY.	\$628	\$834	\$960
	3-993TS	1/2" Thermostatic Trim Plate with Handles Integrated diverter handle with independent temperature control. MUST ORDER VALVE SEPARATELY.	\$649	\$868	\$996
	3-1503TS	1/2" Thermostatic Trim Plate with Handles Integrated diverter handle with independent temperature control. MUST ORDER VALVE SEPARATELY.	\$649	\$868	\$996
	1-741	1/2" Thermostatic Rough-in Valve 1-Port	\$524	—	—
	1-742	1/2" Thermostatic Rough-in Valve 2-Port**	\$627	—	—
	1-743	1/2" Thermostatic Rough-in Valve 3-Port - Shared	\$686	—	—
	1-744	1/2" Thermostatic Rough-in Valve 3-Port**	\$686	—	—
	1-745	1/2" Thermostatic Rough-in Valve 2-Port - Shared	\$627	—	—
		See page 348 for more details.			
	20-146	1/2" Valve Trim Extension Kit Extends 1-3/8". Please specify finish.	\$273	\$368	\$423
	3-994TR	3/4" Thermostatic Trim Plate with Handle MUST ORDER VALVE SEPARATELY.	\$480	\$624	\$719
	3-994LTR	3/4" Thermostatic Trim Plate with Handle MUST ORDER VALVE SEPARATELY.	\$480	\$624	\$719
	3-1504TR	3/4" Thermostatic Trim Plate with Handle MUST ORDER VALVE SEPARATELY.	\$480	\$624	\$719

EAST LINEAR - 990, 1500

**Cal Green compliant



1-540 3/4" Thermostatic Rough-in Valve
 Flow rate of 18 gallons per minute at 60 PSI.
 Factory calibrated comfort setting at 100-deg F,
 built-in check valves with service stops.
 IAPMO Listed. Meets ASSE Standard 1016.
 MUST USE WITH SEPARATE STOP/VOLUME CONTROL

\$794 — —



2-260 3/4" Valve trim extension kit
 Extends 1-3/8". Please specify finish.

\$190 \$259 \$311



3-227 Diverter/Flow Control Trim
 Use with stop or diverter valves, see page 355.

\$239 \$336 \$403



3-227LH Diverter/Flow Control Trim. Hot.
 Use with stop or diverter valves, see page 355.

\$239 \$336 \$403



3-255 Diverter/Flow Control Trim
 Use with stop or diverter valves, see page 355.

\$239 \$336 \$403



1-606U 1/2" inlet/outlet universal stop valve.
 (clockwise off, for cross or lever handle)

\$195 — —

1-607U 3/4" inlet/outlet universal stop valve.
 (clockwise off, for cross or lever handle)

\$265 — —



1-617 1/2" In-wall 2 & 3 way diverter valve
 1 inlet, 3 outlets.**

\$279 — —



1/2" in-wall diverter valves* with:

1-701 3 function with off. 1 inlet, 3 outlets.** \$334 — —
1-702 5 function with share and off. 1 inlet, 3 outlets. \$334 — —
1-703 3 function with pause. 1 inlet, 3 outlets.** \$334 — —

*SEE PAGES 312-315 FOR HOW TO USE THESE DIVERTERS.



*SEE PAGES 312-315 FOR HOW TO USE THESE DIVERTERS.

1/2" in-wall diverter valves* with:

1-704	2 function with off. 1 inlet, 2 outlets.**	\$334	—	—
1-705	3 function with share and off. 1 inlet, 2 outlets.	\$334	—	—
1-706	2 function with pause. 1 inlet, 2 outlets.**	\$334	—	—
1-707	3 function with share (no off). 1 inlet, 2 outlets.	\$334	—	—



2-111H	Tank Lever for East Linear Series	\$192	\$269	\$327
6-505	Tank Lever Mechanism	\$115	\$139	\$155



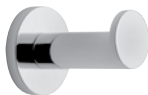
20-289	Tank Lever for East Linear Series	\$192	\$269	\$327
6-505	Tank Lever Mechanism	\$115	\$139	\$155



990-1200	8" Towel Bar	\$128	\$155	\$224
-----------------	--------------	-------	-------	-------



990-1230	18" Towel Bar	\$170	\$202	\$293
990-1250	24" Towel Bar	\$179	\$216	\$306



990-1650	Single Robe Hook	\$67	\$83	\$120
-----------------	------------------	------	------	-------



990-1660	Robe Hook	\$89	\$106	\$154
-----------------	-----------	------	-------	-------



990-1570	Open Toilet Tissue Holder	\$114	\$139	\$201
-----------------	---------------------------	-------	-------	-------

EAST LINEAR - 990, 1500

**Cal Green compliant



990-1500 Double Post Toilet Tissue Holder

\$182

\$217

\$314

HOW TO ORDER: STEP 1: Select Decorative Rings and Mounting Kit
STEP 2: Select Grab Bar Tube



STEP 1: 990-2400 Decorative Rings and Mounting Kit

\$160

\$218

\$274

STEP 2:

5080 12" Grab Bar Tube

\$140

\$206

\$230

5081 16" Grab Bar Tube

\$166

\$233

\$293

5082 18" Grab Bar Tube

\$187

\$260

\$285

5083 24" Grab Bar Tube

\$224

\$301

\$347

5085 36" Grab Bar Tube

\$330

\$410

\$485



990-3942 42" Grab Bar

\$599

\$781

\$944

Sold as complete unit






Available Finishes:		PC	SN
0222-24	24" Double Towel Bar	\$317	\$367



Available Finishes:		PC	SN
0218CT-10-10	Corner Shelf	\$129	\$159



Available Finishes:		PC	SN
0218T-18	18" Shelf	\$158	\$189



Available Finishes:		PC	SN
0219T-18	18" Shelf with Towel Bar	\$385	\$463



Available Finishes:		PC	SN
0234T-18	18" Shelf	\$192	\$230



Available Finishes:		PC	SN
0240-24	24" Hotel Shelf	\$413	\$484



Available Finishes:		PC	SN
0243-24	24" Hotel Shelf w/towel bar	\$512	\$591

EAST SQUARE

I 400



LAVATORY FAUCETS | TUB & SHOWER | ACCESSORIES | GRAB BARS



1400	Widespread Lavatory Faucet 1/2" valves. Spout c-c 6.13". 8" centers. Cross handles.	\$1,023	\$1,434	\$1,726
-------------	-------------------------------------------------------------------------------------------	---------	---------	---------



1400L	Widespread Lavatory Faucet 1/2" valves. Spout c-c 6.13". 8" centers. Lever handles.	\$1,023	\$1,434	\$1,726
--------------	-------------------------------------------------------------------------------------------	---------	---------	---------



3-992BP	BP Tub & Shower Set. Cross Handle. MUST ORDER VALVE SEPARATELY.	\$942	\$1,227	\$1,415
----------------	--------------------------------------------------------------------	-------	---------	---------

1-685	Newport Brass BP Valve with diverter, 4 port with service stops, universal 1/2" NPT & direct sweat connections.	\$384	—	—
--------------	-----------------------------------------------------------------------------------------------------------------	-------	---	---



5-992BP	BP Tub & Shower Trim. Cross Handle. Less tub spout, showerhead, arm and flange. MUST ORDER VALVE SEPARATELY.	\$492	\$638	\$736
----------------	--------------------------------------------------------------------------------------------------------------------	-------	-------	-------

1-685	Newport Brass BP Valve with diverter, 4 port with service stops, universal 1/2" NPT & direct sweat connections.	\$384	—	—
--------------	-----------------------------------------------------------------------------------------------------------------	-------	---	---

See Shower & Drain Sections to complete shower.



5-992LBP	BP Tub & Shower Trim. Lever Handle. Less tub spout, showerhead, arm and flange. MUST ORDER VALVE SEPARATELY.	\$492	\$638	\$736
-----------------	--------------------------------------------------------------------------------------------------------------------	-------	-------	-------








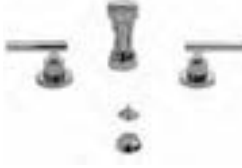

1-685	Newport Brass BP Valve with diverter, 4 port with service stops, universal 1/2" NPT & direct sweat connections.	\$384	—	—
--------------	-----------------------------------------------------------------------------------------------------------------	-------	---	---

See Shower & Drain Sections to complete shower.



3-994BP	BP Shower Set. Cross Handle. MUST ORDER VALVE SEPARATELY.	\$705	\$914	\$1,057
----------------	--------------------------------------------------------------	-------	-------	---------

1-684	Newport Brass BP Valve, 3 port with service stops, universal 1/2" NPT & direct sweat connections.	\$278	—	—
--------------	---------------------------------------------------------------------------------------------------	-------	---	---

	4-994BP	BP Shower Trim. Cross Handle. Less showerhead, arm and flange. MUST ORDER VALVE SEPARATELY.	\$400	\$519	\$597
	1-684	Newport Brass BP Valve, 3 port with service stops, universal 1/2" NPT & direct sweat connections. See Shower & Drain Sections to complete shower.	\$278	—	—
	3-994LBP	BP Shower Set. Lever Handle. MUST ORDER VALVE SEPARATELY.	\$705	\$914	\$1,057
	1-684	Newport Brass BP Valve, 3 port with service stops, universal 1/2" NPT & direct sweat connections.	\$278	—	—
	4-994LBP	BP Shower Trim. Lever Handle. Less showerhead, arm and flange. MUST ORDER VALVE SEPARATELY.	\$400	\$519	\$597
	1-684	Newport Brass BP Valve, 3 port with service stops, universal 1/2" NPT & direct sweat connections. See Shower & Drain Sections to complete shower.	\$278	—	—
	3-234	Tub Spout 1/2" NPT inlet fitting. 7" spout overall length.	\$227	\$301	\$347
	3-1406L	Roman Tub Faucet Lever Handles. Spout c-c 8.25". MUST ORDER VALVES SEPARATELY.	\$1,117	\$1,452	\$1,679
	1-502	3/4" valve for above, quick connect included.	\$438	—	—
	3-1407L	Roman Tub Faucet with Handshower Lever Handles. Spout c-c 8.25". MUST ORDER VALVES SEPARATELY.	\$1,504	\$1,954	\$2,252
	1-503	3/4" valve for above. Includes hose and quick connect.	\$883	—	—
	999L	Bidet Set Lever Handles. 1/2" valves. Includes bottom spray with vacuum breaker, 4 hole mount bidet.	\$1,601	\$2,246	\$2,696
	1400-4261	Free Standing Tub Filler 36.53" (92.7cm) spout height at outlet (from floor). 10.05" (25.5cm) spout reach (c-c). 40.37" overall height. 9.25 gallons (35 liters) per minute maximum flow rate (spout). 1.8 gallons (6.8 liters) per minute maximum flow rate (hand shower).	\$2,276	\$2,883	\$3,738

SEE PAGE 321

EAST SQUARE - 1400



1-339 Optional Rough for Freestanding Tub Filler \$323 — —
 For subfloor and concrete floor installations.
 4.53" overall height.
 7.20" overall base diameter.
 Universal 3/4" NPT and 1/2" direct sweat connections.
 Test caps included.

NEW



1400-4262 Exposed Tub and Hand Shower Set with Risers \$2,601 \$3,399 \$3,982
 Cross Handles.
 35.19" (89.4 cm) spout height at outlet (from floor).
 9.3" (23.6 cm) spout reach (c-c).
 41.9" overall height.
 14 gallons (53 liters) per minute maximum flow rate (spout).
 1.8 gallons (6.8 liters) per minute maximum flow rate (hand shower).

NEW



1400-4263 Exposed Tub and Hand Shower Set with Risers \$2,601 \$3,399 \$3,982
 Lever Handles.
 35.19" (89.4 cm) spout height at outlet (from floor).
 9.3" (23.6 cm) spout reach (c-c).
 41.9" overall height.
 14 gallons (53 liters) per minute maximum flow rate (spout).
 1.8 gallons (6.8 liters) per minute maximum flow rate (hand shower).

NEW



1-469 Required Rough for Exposed Tub Filler \$549 — —
 with Risers
 For subfloor or concrete floor installations.
 3.65" overall height.
 10.38" x 5" overall base size.
 Universal 1/2" NPT connections. Test caps included.
 For use with 1400-426X tub fillers with risers.

NEW



1400-4272 Exposed Tub and Hand Shower Set - Deck Mount. \$1,998 \$2,697 \$3,371
 Cross Handles.
 7.03" centers. Spout c-c 9".
 Includes: 283-101 Hand Shower

NEW



1400-4273 Exposed Tub and Hand Shower Set - Deck Mount. \$1,998 \$2,697 \$3,371
 Lever Handles.
 7.03" centers. Spout c-c 9".
 Includes: 283-101 Hand Shower

NEW



1400-4282 Exposed Tub and Hand Shower Set - Wall Mount. \$1,798 \$2,497 \$3,171
 Cross Handles. 7.03" centers. Spout c-c 9".
 Includes: 283-101 Hand Shower. No separate riser kit available.
MUST ORDER VALVE SEPARATELY.

1-483 Rough for Wall Mount Exposed Tub & Hand Shower Set \$439 — —
 1/2" NPT eccentric nipple. Test caps included.

NEW



1400-4283 Exposed Tub and Hand Shower Set - Wall Mount \$1,798 \$2,497 \$3,171
 Lever Handles. 7.03" centers. Spout c-c 9".
 Includes: No.283-101 Hand Shower. No separate riser kit available.
MUST ORDER VALVE SEPARATELY.

1-483 Rough for Wall Mount Exposed Tub & Hand Shower Set \$439 — —
 1/2" NPT eccentric nipple. Test caps included.



3-993TR 1/2" Thermostatic Trim Plate with Handles
Integrated diverter handle with independent
temperature control.
MUST ORDER VALVE SEPARATELY.

\$628 \$834 \$960



3-1503TR 1/2" Thermostatic Trim Plate with Handles
Integrated diverter handle with independent
temperature control.
MUST ORDER VALVE SEPARATELY.

\$628 \$834 \$960



3-993TS 1/2" Thermostatic Trim Plate with Handles
Integrated diverter handle with independent
temperature control.
MUST ORDER VALVE SEPARATELY.

\$649 \$868 \$996



3-1503TS 1/2" Thermostatic Trim Plate with Handles
Integrated diverter handle with independent
temperature control.
MUST ORDER VALVE SEPARATELY.

\$649 \$868 \$996



1-741

1-741 1/2" Thermostatic Rough-in Valve 1-Port
1-742 1/2" Thermostatic Rough-in Valve 2-Port**
1-743 1/2" Thermostatic Rough-in Valve 3-Port - Shared
1-744 1/2" Thermostatic Rough-in Valve 3-Port**
1-745 1/2" Thermostatic Rough-in Valve 2-Port - Shared
See page 348 for more details.

\$524 — —
\$627 — —
\$686 — —
\$686 — —
\$627 — —



20-146 1/2" Valve Trim Extension Kit
Extends 1-3/8". Please specify finish.

\$273 \$368 \$423



3-994TR 3/4" Thermostatic Trim Plate with Handle
MUST ORDER VALVE SEPARATELY.

\$480 \$624 \$719



3-994LTR 3/4" Thermostatic Trim Plate with Handle
MUST ORDER VALVE SEPARATELY.

\$480 \$624 \$719

EAST SQUARE - 1400

**Cal Green compliant



1-540 3/4" Thermostatic Rough-in Valve
 Flow rate of 18 gallons per minute at 60 PSI.
 Factory calibrated comfort setting at 100-deg F,
 built-in check valves with service stops.
 IAPMO Listed. Meets ASSE Standard 1016.
 \$794 — —
MUST USE WITH SEPARATE STOP/VOLUME CONTROL



2-260 3/4" Valve trim extension kit
 Extends 1-3/8". Please specify finish.
 \$190 \$259 \$311



3-227 Diverter/Flow Control Trim
 Use with stop or diverter valves, see page 355.
 \$239 \$336 \$403



3-227LH Diverter/Flow Control Trim, Hot
 Use with stop or diverter valves, see page 355.
 \$239 \$336 \$403



1-606U 1/2" inlet/outlet universal stop valve.
 (clockwise off, for cross or lever handle)
 \$195 — —

1-607U 3/4" inlet/outlet universal stop valve.
 (clockwise off, for cross or lever handle)
 \$265 — —





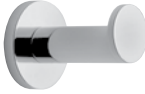
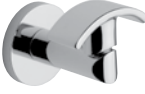


1-617 1/2" In-wall 2 & 3 way diverter valve
 1 inlet, 3 outlets.**
 \$279 — —

1/2" in-wall diverter valves* with:





*SEE PAGES 312-315
 FOR HOW TO USE
 THESE DIVERTERS.

1-701 3 function with off. 1 inlet, 3 outlets.** \$334 — —
1-702 5 function with share and off. 1 inlet, 3 outlets. \$334 — —
1-703 3 function with pause. 1 inlet, 3 outlets.** \$334 — —
1-704 2 function with off. 1 inlet, 2 outlets.** \$334 — —
1-705 3 function with share and off. 1 inlet, 2 outlets. \$334 — —
1-706 2 function with pause. 1 inlet, 2 outlets.** \$334 — —
1-707 3 function with share (no off). 1 inlet, 2 outlets. \$334 — —

	990-1200 8" Towel Bar	\$128	\$155	\$224
	990-1230 18" Towel Bar	\$170	\$202	\$293
	990-1250 24" Towel Bar	\$179	\$216	\$306
	990-1650 Single Robe Hook	\$67	\$83	\$120
	990-1660 Robe Hook	\$89	\$106	\$154
	990-1570 Open Toilet Tissue Holder	\$114	\$139	\$201
	990-1500 Double Post Toilet Tissue Holder	\$182	\$217	\$314

EAST SQUARE - I400

HOW TO ORDER: **STEP 1:** Select Decorative Rings and Mounting Kit
STEP 2: Select Grab Bar Tube

	STEP 1: 990-2400 Decorative Rings and Mounting Kit	\$160	\$218	\$274
	STEP 2: 5080 12" Grab Bar Tube	\$140	\$206	\$230
	5081 16" Grab Bar Tube	\$166	\$233	\$293
	5082 18" Grab Bar Tube	\$187	\$260	\$285
	5083 24" Grab Bar Tube	\$224	\$301	\$347
	5085 36" Grab Bar Tube	\$330	\$410	\$485





990-3942 42" Grab Bar

\$599

\$781

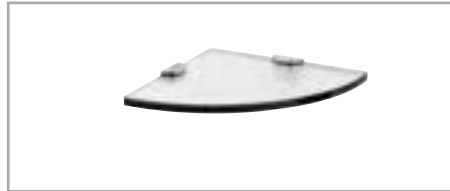
\$944

Sold as complete unit





Available Finishes:		PC	SN
0222-24	24" Double Towel Bar	\$317	\$367



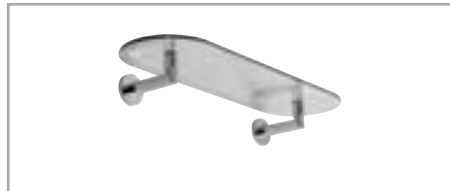
Available Finishes:		PC	SN
0218CT-10-10	Corner Shelf	\$129	\$159



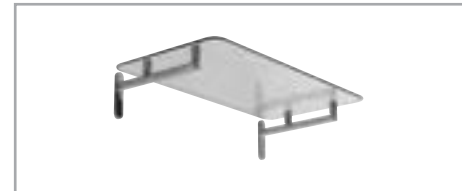
Available Finishes:		PC	SN
0218T-18	18" Shelf	\$158	\$189



Available Finishes:		PC	SN
0219T-18	18" Shelf with Towel Bar	\$385	\$463



Available Finishes:		PC	SN
0234T-18	18" Shelf	\$192	\$230



Available Finishes:		PC	SN
0240-24	24" Hotel Shelf	\$413	\$484



Available Finishes:		PC	SN
0243-24	24" Hotel Shelf w/towel bar	\$512	\$591

FAIRFIELD

1000

NOTE: HOT & COLD HANDLE
BUTTONS ARE IN FRENCH



LAVATORY FAUCETS | TUB & SHOWER | ACCESSORIES | GRAB BARS



1000 Widespread Lavatory Faucet
Cross Handles. 1/2" valves.
Spout c-c 6.96". 8" centers. \$878 \$1,251 \$1,505



1000B Lavatory Bridge Faucet
Cross Handles. 1/2" valves.
Swivel Spout. Leg c-c 8" and 9.62" max.
Spout c-c 5.33" and 7.21" max. \$1,051 \$1,426 \$1,714



3-947 Wall Mount Lavatory Faucet
Cross Handles. Spout c-c 9.78". 8" centers.
Drain not included. See Brasstech
#330, 3301, 3302 or 3303.
MUST ORDER VALVES SEPARATELY. \$798 \$1,078 \$1,238

1-532U 2-valve rough with 1/2" NPT inlets & outlet. \$358 — —



3-1003 Wall Mount Lavatory Faucet
Cross Handles. Spout c-c 7.25". 8" centers.
Drain not included. See Brasstech
#330, 3301, 3302 or 3303.
MUST ORDER VALVES SEPARATELY. \$798 \$1,078 \$1,238

1-532U 2-valve rough with 1/2" NPT inlets & outlet. \$358 — —



5-1002BP BP Tub & Shower Trim. Cross Handle.
Less tub spout, showerhead, arm and flange.
MUST ORDER VALVE SEPARATELY. \$450 \$586 \$677











1-685 Newport Brass BP Valve with diverter, 4 port with
service stops, universal 1/2" NPT & direct sweat
connections. \$384 — —

See Shower & Drain Sections to complete shower.



3-1004BP BP Shower Set. Cross Handle.
MUST ORDER VALVE SEPARATELY. \$690 \$895 \$998

1-684 Newport Brass BP Valve, 3 port with service stops,
universal 1/2" NPT & direct sweat connections \$278 — —

	4-1004BP	BP Shower Trim. Cross Handle. Less showerhead, arm and flange. MUST ORDER VALVE SEPARATELY.	\$359	\$468	\$542
	1-684	Newport Brass BP Valve, 3 port with service stops, universal 1/2" NPT & direct sweat connections See Shower & Drain Sections to complete shower.	\$278	—	—
	2-144	Tub Spout 1/2" NPT inlet fitting. 7.56" spout overall length.	\$230	\$312	\$358
	3-1006	Roman Tub Faucet Cross Handles. Spout c-c 11.52". MUST ORDER VALVES SEPARATELY.	\$1,036	\$1,350	\$1,559
	1-502	3/4" valve for above, quick connect included.	\$438	—	—
	3-1007	Roman Tub Faucet with Handshower Cross Handles. Spout c-c 11.52". MUST ORDER VALVES SEPARATELY.	\$1,398	\$1,818	\$2,097
	1-503	3/4" valve for above. Includes hose and quick connect.	\$883	—	—
 	1013	Exposed Tub & Hand Shower Set Deck mounted. 7.25" centers. Spout c-c 9.11". Includes: 281 Hand Shower Floor Mount Kit item 3-196 or 3-226 sold separately.	\$1,515	\$2,121	\$2,543
 	1014	Exposed Tub & Hand Shower Set Wall-mounted. 6" centers. Spout c-c 7". Includes: 281 Hand Shower Floor Mount Kit item 3-196 or 3-226 sold separately.	\$1,444	\$2,018	\$2,424
	3-196	Floor Mount Kit for Exposed Tub Sets Set includes: 2 each Floor Flanges 2 each 3/4" Risers - 31" high. Stabilizer Kit sold separately.	\$637	\$888	\$1,066
	3-226	Same as above only 24" high.	\$612	\$855	\$1,029
	3-192	3/4" Shut-off Valves for above (1 pair hot & cold).	\$896	\$1,065	\$1,278
	1-378	Optional Rough For Exposed Tub Filler For subfloor or concrete floor installations. 3.65" overall height. 10.38" x 5" overall base size. Universal 1/2" NPT connections. Test caps included. For use with 3-196 or 3-226 tub risers.	\$440	—	—

FAIRFIELD - 1000, 2100



2-734 Stabilizer Kit for Exposed Tub Floor Riser Kits
Adjustable for risers that are 6" to 9" apart.
Includes 1-1/2" finished ring for connecting kit to
tub overflow pipe. Finished plate for wall mounting
up to 10" center of riser pipes.

\$314 \$406 \$435

Wall Mount Plate



1009 Bidet Set
Cross Handles. 1/2" valves.
Includes bottom spray with vacuum breaker,
4 hole mount bidet.

\$1,585 \$2,217 \$2,662



3-1003TR 1/2" Thermostatic Trim Plate with Handles
Integrated diverter handle with independent
temperature control.
MUST ORDER VALVE SEPARATELY.

\$587 \$789 \$905



3-1003TS 1/2" Thermostatic Trim Plate with Handles
Integrated diverter handle with independent
temperature control.
MUST ORDER VALVE SEPARATELY.

\$628 \$834 \$960



1-741

1-741 1/2" Thermostatic Rough-in Valve 1-Port
1-742 1/2" Thermostatic Rough-in Valve 2-Port**
1-743 1/2" Thermostatic Rough-in Valve 3-Port - Shared
1-744 1/2" Thermostatic Rough-in Valve 3-Port**
1-745 1/2" Thermostatic Rough-in Valve 2-Port - Shared

\$524 — —
\$627 — —
\$686 — —
\$686 — —
\$627 — —

See page 348 for more details.



20-146 1/2" Valve Trim Extension Kit
Extends 1-3/8". Please specify finish.

\$273 \$368 \$423



3-1004TR 3/4" Thermostatic Trim Plate with Handle
MUST ORDER VALVE SEPARATELY.

\$480 \$624 \$719



1-540 3/4" Thermostatic Rough-in Valve
Flow rate of 18 gallons per minute at 60 PSI.
Factory calibrated comfort setting at 100-deg F,
built-in check valves with service stops.
IAPMO Listed. Meets ASSE Standard 1016.

\$794 — —

MUST USE WITH SEPARATE STOP/VOLUME CONTROL



2-260 3/4" Valve trim extension kit
Extends 1-3/8". Please specify finish. \$190 \$259 \$311



3-230 Diverter/Flow Control Trim, Arrow. \$210 \$293 \$353
3-230B Diverter/Flow Control Trim, Plain Insert. \$210 \$293 \$353
 NOTE: HOT & COLD HANDLE BUTTONS ARE IN FRENCH.
 Use with stop or diverter valves, see page 355.



1-606U 1/2" inlet/outlet universal stop valve.
(clockwise off, for cross or lever handle) \$195 — —
1-607U 3/4" inlet/outlet universal stop valve.
(clockwise off, for cross or lever handle) \$265 — —



1-617 1/2" In-wall 2 & 3 way diverter valve
1 inlet, 3 outlets.** \$279 — —

1/2" in-wall diverter valves* with:



*SEE PAGES 312-315
FOR HOW TO USE
THESE DIVERTERS.

1-701 3 function with off. 1 inlet, 3 outlets.** \$334 — —
1-702 5 function with share and off. 1 inlet, 3 outlets. \$334 — —
1-703 3 function with pause. 1 inlet, 3 outlets.** \$334 — —
1-704 2 function with off. 1 inlet, 2 outlets.** \$334 — —
1-705 3 function with share and off. 1 inlet, 2 outlets. \$334 — —
1-706 2 function with pause. 1 inlet, 2 outlets.** \$334 — —
1-707 3 function with share (no off). 1 inlet, 2 outlets. \$334 — —



890-1230 18" Towel Bar \$208 \$253 \$304
890-1250 24" Towel Bar \$227 \$269 \$324



890-1400 Towel Ring - Open \$192 \$230 \$277

FAIRFIELD - 1000, 2100



890-1410 Towel Ring

\$154 \$185 \$222



890-1650 Single Robe Hook

\$68 \$83 \$99



890-1660 Double Robe Hook

\$138 \$166 \$199



890-1510 Hanging Toilet Tissue Holder

\$192 \$230 \$277



890-1500 Double Post Toilet Tissue Holder

\$204 \$248 \$297

HOW TO ORDER: STEP 1: Select Decorative Rings and Mounting Kit
STEP 2: Select Grab Bar Tube



STEP 1: 920-2400 Decorative Rings and Mounting Kit

\$160 \$218 \$274

STEP 2: 5080 12" Grab Bar Tube

\$140 \$206 \$230

5081 16" Grab Bar Tube

\$166 \$233 \$293

5082 18" Grab Bar Tube

\$187 \$260 \$285

5083 24" Grab Bar Tube

\$224 \$301 \$347

5085 36" Grab Bar Tube

\$330 \$410 \$485



920-3942 42" Grab Bar

\$599 \$781 \$944

Sold as complete unit





Available Finishes:		PC	PN SN
1101	12" Towel Bar	\$197	\$233
G1104	32" Towel Bar	\$260	\$312



Available Finishes:		PC	PN SN
1122-18	18" Double Towel Bar	\$419	\$501
1122-24	24" Double Towel Bar	\$451	\$541
1122-32	32" Double Towel Bar	\$454	NA



Available Finishes:		PC	PN SN
1107	Spare Toilet Tissue Holder	\$183	\$221



Available Finishes:		PC	PN SN
1108D	Double Post Tissue Holder	\$348	\$420



Available Finishes:		PC	PN SN
1127	Hooded Toilet Tissue Holder	\$219	\$262



Available Finishes:		PC	PN SN
1118T-18	18" Shelf	\$322	\$385




Available Finishes:		PC	PN SN
1135T-18	18" Gallery Shelf	\$441	\$528
1135T-24	24" Gallery Shelf	\$498	NA



IMPORTANT: Order (1) Mounting Kit plus (1) Frame to make a complete unit.

Available Finishes:		PC	PN SN
114B	Hotel Shelf Mounting Kit	\$137	\$164
XX43-20	20" Hotel Shelf Frame with Towel Bar	\$306	\$366
XX43-24	24" Hotel Shelf Frame with Towel Bar	\$326	\$387



IMPORTANT: Order (1) Mounting Kit plus (1) Frame to make a complete unit.


Available Finishes:		PC	PN SN
114B	Hotel Shelf Mounting Kit	\$137	\$164
XX43S-20	20" Hotel Shelf Frame with Towel Bar, Squared Corners	\$384	\$463
XX43S-24	24" Hotel Shelf Frame with Towel Bar, Squared Corners	\$415	\$497



Available Finishes:		PC	PN SN
1181	Single Light with Nightlight Option, Satin Etched Glass	\$429	\$513



Available Finishes:		PC	PN SN
1182	Double Light Satin Etched Glass	\$655	\$765



♿ **Mirror tilts 4.5° with mechanism.

Available Finishes:		PC	PN SN
1141	Framed Mirror 20.39" x 35" overall	\$748	\$859
MTM-009	Tilting Mechanism Optional**	\$88	\$88

GRIFFEY

3270 | 3280



LAVATORY FAUCETS | TUB & SHOWER | ACCESSORIES | GRAB BARS



3270 Widespread Lavatory Faucet
Lever Handles.
1/2" valves. Spout c-c 6.13".
8" centers.

\$1,132 \$1,584 \$1,867



3280 Widespread Lavatory Faucet
Cross Handles.
1/2" valves. Spout c-c 6.13".
8" centers.

\$1,132 \$1,584 \$1,867



3-3271 Wall Mount Lavatory Faucet
Lever Handles. Spout c-c 8.25".
8" centers. Drain not included. See
Brasstech #330, 3301, 3302 or 3303.
MUST ORDER VALVE SEPARATELY.

\$855 \$1,196 \$1,494

1-532U 2-valve rough with 1/2" NPT inlets & outlet.

\$358 — —



3-3281 Wall Mount Lavatory Faucet
Cross Handles. Spout c-c 8.25".
8" centers. Drain not included. See
Brasstech #330, 3301, 3302 or 3303.
MUST ORDER VALVE SEPARATELY.

\$855 \$1,196 \$1,494

1-532U 2-valve rough with 1/2" NPT inlets & outlet.

\$358 — —



5-3272BP BP Tub & Shower Trim. Lever Handle.
Less tub spout, showerhead, arm and flange.
MUST ORDER VALVE SEPARATELY.

\$759 \$1,062 \$1,191

1-685 Newport Brass BP Valve with diverter, 4 port with
service stops, universal 1/2" NPT & direct sweat
connections.

\$384 — —

See Shower & Drain Sections to complete shower.









5-3282BP BP Tub & Shower Trim. Cross Handle.
Less tub spout, showerhead, arm and flange.
MUST ORDER VALVE SEPARATELY.

\$759 \$1,062 \$1,191

1-685 Newport Brass BP Valve with diverter, 4 port with
service stops, universal 1/2" NPT & direct sweat
connections.

\$384 — —

See Shower & Drain Sections to complete shower.

	4-3274BP	BP Shower Trim. Lever Handle. Less showerhead, arm and flange. MUST ORDER VALVE SEPARATELY.	\$674	\$942	\$1,076
	1-684	Newport Brass BP Valve, 3 port with service stops, universal 1/2" NPT & direct sweat connections. See Shower & Drain Sections to complete shower.	\$278	—	—
	4-3284BP	BP Shower Trim. Cross Handle. Less showerhead, arm and flange. MUST ORDER VALVE SEPARATELY.	\$674	\$942	\$1,076
	1-684	Newport Brass BP Valve, 3 port with service stops, universal 1/2" NPT & direct sweat connections. See Shower & Drain Sections to complete shower.	\$278	—	—
	3-643	Tub Spout 1/2" NPT inlet fitting. 8.79" spout overall length.	\$363	\$491	\$564
	3-3275	Wall Mount Tub Faucet. Lever Handles. MUST ORDER VALVE SEPARATELY.	\$898	\$1,257	\$1,457
	1-500U	2-valve rough with 1/2" NPT inlets & outlet.	\$358	—	—
	3-3285	Wall Mount Tub Faucet. Cross Handles. MUST ORDER VALVE SEPARATELY.	\$898	\$1,257	\$1,457
	1-500U	2-valve rough with 1/2" NPT inlets & outlet.	\$358	—	—
	3-3276	Roman Tub Faucet Lever Handles. Spout c-c 8.25". MUST ORDER VALVE SEPARATELY.	\$1,339	\$1,874	\$2,153
	1-697	3/4" Valve for above. Quick connect included.	\$438	—	—
	3-3286	Roman Tub Faucet Cross Handles. Spout c-c 8.25". MUST ORDER VALVE SEPARATELY.	\$1,339	\$1,874	\$2,153
	1-697	3/4" Valve for above. Quick connect included.	\$438	—	—
	3-3277	Roman Tub Faucet with Handshower Lever Handles. Spout c-c 8.25". MUST ORDER VALVE SEPARATELY.	\$1,782	\$2,358	\$2,778
	1-698	3/4" valve for above. Includes hose and quick connect.	\$883	—	—

GRIFFEY - 3270, 3280





3-3287 Roman Tub Faucet with Handshower Cross Handles. Spout c-c 8.25". MUST ORDER VALVE SEPARATELY.

\$1,782 \$2,358 \$2,778

1-698 3/4" valve for above. Includes hose and quick connect.

\$883 — —



3279 Bidet Set Lever Handles. 1/2" valves. Includes bottom spray with vacuum breaker, 4 hole mount bidet.

\$1,945 \$2,721 \$2,994



3289 Bidet Set Cross Handles. 1/2" valves. Includes bottom spray with vacuum breaker, 4 hole mount bidet.

\$1,945 \$2,721 \$2,994



3-3273TR 1/2" Thermostatic Trim Plate with Handles Integrated diverter handle with independent temperature control. MUST ORDER VALVE SEPARATELY.

\$827 \$1,159 \$1,335



3-3283TR 1/2" Thermostatic Trim Plate with Handles Integrated diverter handle with independent temperature control. MUST ORDER VALVE SEPARATELY.

\$827 \$1,159 \$1,335



1-741

1-741 1/2" Thermostatic Rough-in Valve 1-Port
1-742 1/2" Thermostatic Rough-in Valve 2-Port**
1-743 1/2" Thermostatic Rough-in Valve 3-Port - Shared
1-744 1/2" Thermostatic Rough-in Valve 3-Port**
1-745 1/2" Thermostatic Rough-in Valve 2-Port - Shared
 See page 348 for more details.

\$524 — —
 \$627 — —
 \$686 — —
 \$686 — —
 \$627 — —



20-146 1/2" Valve Trim Extension Kit Extends 1-3/8". Please specify finish.

\$273 \$368 \$423



3-3274TR 3/4" Thermostatic Trim Plate with Handle MUST ORDER VALVE SEPARATELY.

\$775 \$1,044 \$1,298



3-3284TR 3/4" Thermostatic Trim Plate with Handle
MUST ORDER VALVE SEPARATELY. \$775 \$1,044 \$1,298



1-540 3/4" Thermostatic Rough-in Valve
Flow rate of 18 gallons per minute at 60 PSI.
Factory calibrated comfort setting at 100-deg F,
built-in check valves with service stops.
IAPMO Listed. Meets ASSE Standard 1016.
MUST USE WITH SEPARATE STOP/VOLUME CONTROL \$794 — —



2-260 3/4" Valve trim extension kit
Extends 1-3/8". Please specify finish. \$190 \$259 \$311



3-649 Diverter/Flow Control Trim
Use with stop or diverter valves, see page 355. \$241 \$338 \$421



3-648 Diverter/Flow Control Trim
Use with stop or diverter valves, see page 355. \$241 \$338 \$421



1-606U 1/2" inlet/outlet universal stop valve.
(clockwise off, for cross or lever handle) \$195 — —

1-607U 3/4" inlet/outlet universal stop valve.
(clockwise off, for cross or lever handle) \$265 — —



1-617 1/2" In-wall 2 & 3 way diverter valve
1 inlet, 3 outlets.** \$279 — —



1/2" in-wall diverter valves* with:

1-701 3 function with off. 1 inlet, 3 outlets.** \$334 — —

1-702 5 function with share and off. 1 inlet, 3 outlets. \$334 — —

1-703 3 function with pause. 1 inlet, 3 outlets.** \$334 — —

*SEE PAGES 312-315
FOR HOW TO USE
THESE DIVERTERS.

**Cal Green compliant



*SEE PAGES 312-315 FOR HOW TO USE THESE DIVERTERS.

1/2" in-wall diverter valves* with:

1-704	2 function with off. 1 inlet, 2 outlets.**	\$334	—	—
1-705	3 function with share and off. 1 inlet, 2 outlets.	\$334	—	—
1-706	2 function with pause. 1 inlet, 2 outlets.**	\$334	—	—
1-707	3 function with share (no off). 1 inlet, 2 outlets.	\$334	—	—



3270-1230	18" Towel Bar	\$298	\$357	\$447
3270-1250	24" Towel Bar	\$331	\$400	\$499



3270-1410	Towel Ring	\$227	\$273	\$340
------------------	------------	-------	-------	-------



3270-1650	Single Robe Hook	\$185	\$250	\$313
------------------	------------------	-------	-------	-------



3270-1660	Double Robe Hook	\$210	\$276	\$337
------------------	------------------	-------	-------	-------



3270-1510	Hanging Toilet Tissue Holder	\$225	\$271	\$305
------------------	------------------------------	-------	-------	-------



3270-1530	Double Post Toilet Tissue Holder	\$309	\$374	\$436
------------------	----------------------------------	-------	-------	-------

HOW TO ORDER: **STEP 1:** Select Decorative Rings and Mounting Kit
STEP 2: Select Grab Bar Tube



STEP 1: 990-2400 Decorative Rings and Mounting Kit \$160 \$218 \$274



STEP 2:

5080	12" Grab Bar Tube	\$140	\$206	\$230
5081	16" Grab Bar Tube	\$166	\$233	\$293
5082	18" Grab Bar Tube	\$187	\$260	\$285
5083	24" Grab Bar Tube	\$224	\$301	\$347
5085	36" Grab Bar Tube	\$330	\$410	\$485



990-3942 42" Grab Bar \$599 \$781 \$944

Sold as complete unit



GRIFFEY - 3270, 3280

ITHACA

2550



LAVATORY FAUCETS | TUB & SHOWER | ACCESSORIES | GRAB BARS



2550 Widespread Lavatory Faucet
8" centers. 1/2" valves.
Spout c-c 6.09".

\$1,182 \$1,483 \$1,579



9203 Single Hole Lavatory Faucet
4.59" (11.6cm) spout height at outlet.
6.20" (15.7cm) spout reach (c-c).
10.63" overall height.
Includes pop-up assembly.
Does not work with #101 cover plate.

\$1,023 \$1,391 \$1,597



9208 Single Hole Vessel Faucet
7.44" (18.9cm) spout height at outlet. 6.20"
(15.7cm) spout reach (c-c). 13.44" overall height.
Drain not included. For lavatory sink drains see
Brasstech # 330, 3301, 3302 or 3303. For bar
sink drains, see Brasstech # 130 or 131.
Does not work with #101 cover plate.

\$1,117 \$1,500 \$1,724



3-2551 Wall Mount Lavatory Faucet
Spout c-c 8.02". 8" centers.
Drain not included, . See Brasstech
#330, 3301, 3302 or 3303.
MUST ORDER VALVE SEPARATELY.

\$860 \$1,162 \$1,292

1-532U 2-valve rough with 1/2" NPT inlets & outlet.

\$358 — —



3-2552BP BP Tub & Shower Set
MUST ORDER VALVE SEPARATELY

\$1,530 \$2,066 \$2,297

1-685 Newport Brass BP Valve with diverter, 4 port with
service stops, universal 1/2" NPT & direct sweat
connections.

\$384 — —











5-2552BP BP Tub & Shower Trim.
Less tub spout, showerhead, arm and flange.
MUST ORDER VALVE SEPARATELY.

\$797 \$1,037 \$1,197

1-685 Newport Brass BP Valve with diverter, 4 port with
service stops, universal 1/2" NPT & direct sweat
connections.

\$384 — —

See Shower & Drain Sections to complete shower.

	3-2554BP BP Shower Set MUST ORDER VALVE SEPARATELY.	\$1,162	\$1,571	\$1,743
	1-684 Newport Brass BP Valve, 3 port with service stops, universal 1/2" NPT & direct sweat connections.	\$278	—	—
	4-2554BP BP Shower Trim. Less Showerhead, arm and flange. MUST ORDER VALVE SEPARATELY.	\$707	\$920	\$1,062
	1-684 Newport Brass BP Valve, 3 port with service stops, universal 1/2" NPT & direct sweat connections. See Shower & Drain Sections to complete shower.	\$278	—	—
	3-427 Tub Spout 3/4" NPT inlet fitting. 6.90" spout overall length.	\$303	\$412	\$470
	3-2555 Wall Mount Tub Faucet Spout c-c 6.06". MUST ORDER VALVES SEPARATELY.	\$860	\$1,162	\$1,292
	1-500U 2-valve rough with 1/2" NPT inlets & outlet.	\$358	—	—
	3-2556 Roman Tub Faucet Spout c-c 9.55". MUST ORDER VALVES SEPARATELY.	\$1,568	\$2,114	\$2,350
	1-636 3/4" valve for above. Quick connect included.	\$438	—	—
	3-2557 Roman Tub Faucet with Handshower Spout c-c 9.55". MUST ORDER VALVES SEPARATELY.	\$2,533	\$3,419	\$3,797
	1-570 3/4" valve for above. Includes hose and quick connect.	\$883	—	—
	2559 Bidet Set 1/2" valves. Includes bottom spray with vacuum breaker, 4 hole mount bidet.	\$1,434	\$1,936	\$2,153
	280L Traditional 36" Slide Bar Handshower Kit All Brass. Includes: No. 281-1 Traditional Multifunctional Hand Shower No. 284 Braided Hose No. 285-3 Supply Elbow No. 294-1 36" Slide Bar with Adjustable Bracket	\$1,314	\$1,640	\$2,129

ITHACA - 2550



280N Traditional Hand Shower Set
Includes:
No. 281-1 Traditional Multifunction Hand Shower
No. 284 Braided Hose
No. 285-3 Supply Elbow
No. 297 Wall Coordinating Round Bracket

\$856 \$1,157 \$1,327



3-803TR 1/2" Thermostatic Trim Plate with Handles
Integrated diverter handle with independent temperature control.
MUST ORDER VALVE SEPARATELY.

\$587 \$789 \$905



1-741

1-741 1/2" Thermostatic Rough-in Valve 1-Port \$524 — —
1-742 1/2" Thermostatic Rough-in Valve 2-Port** \$627 — —
1-743 1/2" Thermostatic Rough-in Valve 3-Port - Shared \$686 — —
1-744 1/2" Thermostatic Rough-in Valve 3-Port** \$686 — —
1-745 1/2" Thermostatic Rough-in Valve 2-Port - Shared \$627 — —
See page 348 for more details.



20-146 1/2" Valve Trim Extension Kit
Extends 1-3/8". Please specify finish.

\$273 \$368 \$423



3-2554TR 3/4" Thermostatic Trim Plate with Handle
MUST ORDER VALVE SEPARATELY.

\$719 \$967 \$1,078



1-540 3/4" Thermostatic Rough-in Valve
Flow rate of 18 gallons per minute at 60 PSI.
Factory calibrated comfort setting at 100-deg F,
built-in check valves with service stops.
IAPMO Listed. Meets ASSE Standard 1016.

\$794 — —

MUST USE WITH SEPARATE STOP/VOLUME CONTROL



2-260 3/4" Valve trim extension kit
Extends 1-3/8". Please specify finish.

\$190 \$259 \$311



3-593 Diverter/Flow Control Trim
Use with stop or diverter valves, see page 355.

\$230 \$312 \$381



1-606U	1/2" inlet/outlet universal stop valve. (clockwise off, for cross or lever handle)	\$195	—	—
1-607U	3/4" inlet/outlet universal stop valve. (clockwise off, for cross or lever handle)	\$265	—	—



1-617	1/2" In-wall 2 & 3 way diverter valve 1 inlet, 3 outlets.**	\$279	—	—
--------------	----------------------------------------------------------------	-------	---	---

1/2" in-wall diverter valves* with:



*SEE PAGES 312-315
FOR HOW TO USE
THESE DIVERTERS.

1-701	3 function with off. 1 inlet, 3 outlets.**	\$334	—	—
1-702	5 function with share and off. 1 inlet, 3 outlets.	\$334	—	—
1-703	3 function with pause. 1 inlet, 3 outlets.**	\$334	—	—
1-704	2 function with off. 1 inlet, 2 outlets.**	\$334	—	—
1-705	3 function with share and off. 1 inlet, 2 outlets.	\$334	—	—
1-706	2 function with pause. 1 inlet, 2 outlets.**	\$334	—	—
1-707	3 function with share (no off). 1 inlet, 2 outlets.	\$334	—	—



38-02	24" Towel Bar	\$284	\$342	\$452
--------------	---------------	-------	-------	-------



38-09	Towel Ring	\$205	\$246	\$273
--------------	------------	-------	-------	-------



38-12	Double Robe Hook	\$248	\$294	\$329
--------------	------------------	-------	-------	-------



38-27 Hanging Toilet Tissue Holder \$385 \$461 \$509



38-28 Double Post Toilet Tissue Holder \$276 \$329 \$401

HOW TO ORDER: **STEP 1:** Select Decorative Rings and Mounting Kit
STEP 2: Select Grab Bar Tube



STEP 1: **920-2400** Decorative Rings and Mounting Kit \$160 \$218 \$274

STEP 2:
5080 12" Grab Bar Tube \$140 \$206 \$230
5081 16" Grab Bar Tube \$166 \$233 \$293
5082 18" Grab Bar Tube \$187 \$260 \$285
5083 24" Grab Bar Tube \$224 \$301 \$347
5085 36" Grab Bar Tube \$330 \$410 \$485




920-3942 42" Grab Bar \$599 \$781 \$944

Sold as complete unit





Available Finishes:		PC	PN SN
4502	18" Towel Bar	\$258	\$308
4504	32" Towel Bar	\$290	\$347



Available Finishes:		PC	PN SN
4522S	Double Swing Towel Bar	\$353	\$422



Available Finishes:		PC	PN SN
4521	Towel Ring-Open	\$205	\$246




Available Finishes:		PC	PN SN
4527	Double Post Toilet Tissue Holder with Glass Cover	\$353	\$422




Available Finishes:		PC	PN SN
4528	Recessed Toilet Tissue Holder	\$422	\$508



Available Finishes:		PC	PN SN
4534T-18	18" Shelf	\$306	\$366
4534T-24	24" Shelf	\$330	\$394



Available Finishes:		PC	PN SN
4540-20	20" Hotel Shelf	\$643	\$772



Available Finishes:		PC	PN SN
4543-20	20" Hotel Shelf with Towel Bar	\$775	\$931
4543-24	24" Hotel Shelf with Towel Bar	\$852	\$1,024



Available Finishes:		PC	PN SN
4581-1	Single Light Satin Etched Glass	\$651	\$778



Available Finishes:		PC	PN SN
4581	Single Light, Pivoting Light Satin Etched Glass	\$681	\$819



Available Finishes:		PC	PN SN
4544	Pivoting Vanity Mirror on Slide Bar	\$710	\$852



Available Finishes:		PC	PN SN
4542	23.50" x 36.57" Overall Frameless Pivoting Mirror	\$665	\$798

JACOBEBEAN

2460 | 2470



LAVATORY FAUCETS | TUB & SHOWER | TANK LEVER | ACCESSORIES | GRAB BAR



2460 Widespread Lavatory Faucet Cross Handles. 1/2" valve included. Spout c-c 6.05" . 8" centers. \$960 \$1,293 \$1,483



2470 Widespread Lavatory Faucet Lever Handles. 1/2" valve included. Spout c-c 6.05" . 8" centers. \$960 \$1,293 \$1,483



2473 Single Hole Lavatory Faucet 5.60" spout height at outlet. 5.89" spout reach (c-c). 8.10" overall height. Includes #330 lift and turn drain. \$939 \$1,267 \$1,429

101 Cover Plate, Optional 6" x 2.5". \$99 \$142 \$152



3-2461 Wall Mount Lavatory Faucet Cross Handles. Spout c-c 8.22". 8" centers. Drain not included. See Brasstech # 330, 3301, 3302 or 3303. MUST ORDER VALVES SEPARATELY. \$761 \$1,025 \$1,176

1-532U 2-valve rough with 1/2" NPT inlets & outlet. \$358 — —



3-2471 Wall Mount Lavatory Faucet Trim Lever Handles. Spout c-c 8.22". 8" centers. Drain not included. See Brasstech # 330, 3301, 3302 or 3303. MUST ORDER VALVES SEPARATELY. \$761 \$1,025 \$1,176









1-532U 2-valve rough with 1/2" NPT inlets & outlet. \$358 — —







5-2402BP BP Tub & Shower Trim. Cross Handle. Less tub spout, showerhead, arm and flange. MUST ORDER VALVE SEPARATELY. \$547 \$712 \$821



1-685 Newport Brass BP Valve with diverter, 4 port with service stops, universal 1/2" NPT & direct sweat connections. \$384 — —



See Shower & Drain Sections to complete shower.



	3-2412BP	BP Tub & Shower Set. Lever Handle. MUST ORDER VALVE SEPARATELY.	\$1,214	\$1,575	\$1,818
	1-685	Newport Brass BP Valve with diverter, 4 port with service stops, universal 1/2" NPT & direct sweat connections.	\$384	—	—
	5-2412BP	BP Tub & Shower Trim. Lever Handle. Less tub spout, showerhead, arm and flange. MUST ORDER VALVE SEPARATELY.	\$547	\$712	\$821
	1-685	Newport Brass BP Valve with diverter, 4 port with service stops, universal 1/2" NPT & direct sweat connections. See Shower & Drain Sections to complete shower.	\$384	—	—
	3-2404BP	BP Shower Set. Cross Handle. MUST ORDER VALVE SEPARATELY.	\$947	\$1,244	\$1,440
	1-684	Newport Brass BP Valve, 3 port with service stops, universal 1/2" NPT & direct sweat connections.	\$278	—	—
	4-2404BP	BP Shower Trim. Cross Handle. Less showerhead, arm and flange. MUST ORDER VALVE SEPARATELY.	\$455	\$594	\$683
	1-684	Newport Brass BP Valve, 3 port with service stops, universal 1/2" NPT & direct sweat connections. See Shower & Drain Sections to complete shower.	\$278	—	—
	3-2414BP	BP Shower Set. Lever Handle. MUST ORDER VALVE SEPARATELY.	\$947	\$1,244	\$1,440
	1-684	Newport Brass BP Valve, 3 port with service stops, universal 1/2" NPT & direct sweat connections.	\$278	—	—
	4-2414BP	BP Shower Trim. Lever Handle. Less showerhead, arm and flange. MUST ORDER VALVE SEPARATELY.	\$455	\$594	\$683
	1-684	Newport Brass BP Valve, 3 port with service stops, universal 1/2" NPT & direct sweat connections. See Shower & Drain Sections to complete shower.	\$278	—	—
	3-668	Tub Spout 1/2" NPT inlet fitting. 10.32" spout overall length.	\$246	\$334	\$381
	3-2465	Wall Mount Tub Faucet. Cross Handles. MUST ORDER VALVES SEPARATELY.	\$761	\$990	\$1,142
	1-500U	2-valve rough with 1/2" NPT inlets & outlet.	\$358	—	—

	3-2475	Wall Mount Tub Faucet. Lever Handles. MUST ORDER VALVES SEPARATELY.	\$761	\$990	\$1,142
	1-500U	2-valve rough with 1/2" NPT inlets & outlet.	\$358	—	—



	3-2476	Roman Tub Faucet. Lever Handles. Spout c-c 10.96". MUST ORDER VALVES SEPARATELY.	\$1,036	\$1,350	\$1,559
	1-502	3/4" Valve for above. Quick connect included.	\$438	—	—


		3-2477	Roman Tub Faucet with Handshower Lever Handles. Spout c-c 10.96". MUST ORDER VALVES SEPARATELY.	\$1,398	\$1,817	\$2,097
		1-503	3/4" valve for above. Includes hose and quick connect.	\$883	—	—









		2400-4272	Exposed Tub and Hand Shower Set - Deck Mount. Cross Handles. 7.25" centers. Spout c-c 9.11". Includes: 281 Hand Shower	\$1,805	\$2,300	\$2,795
-----------------------------------------------------------------------------------	------------------------------------------------------------------------------------	------------------	---------------------------------------------------------------------------------------------------------------------------------	---------	---------	---------

		2400-4273	Exposed Tub and Hand Shower Set - Deck Mount. Lever Handles. 7.25" centers. Spout c-c 9.11". Includes: 281 Hand Shower	\$1,805	\$2,300	\$2,795
-------------------------------------------------------------------------------------	-------------------------------------------------------------------------------------	------------------	---------------------------------------------------------------------------------------------------------------------------------	---------	---------	---------

		2400-4282	Exposed Tub and Hand Shower Set - Wall Mount. Cross Handles. 6" centers. Spout c-c 7". Includes: 281 Hand Shower Floor-mount kit item 3-196 or 3-226 sold separately.	\$1,723	\$2,214	\$2,683
-------------------------------------------------------------------------------------	-------------------------------------------------------------------------------------	------------------	--------------------------------------------------------------------------------------------------------------------------------------------------------------------------------------	---------	---------	---------

		2400-4283	Exposed Tub and Hand Shower Set - Wall Mount. Lever Handles 6" centers. Spout c-c 7". Includes: 281 Hand Shower Floor-mount kit item 3-196 or 3-226 sold separately.	\$1,723	\$2,214	\$2,683
-------------------------------------------------------------------------------------	-------------------------------------------------------------------------------------	------------------	-------------------------------------------------------------------------------------------------------------------------------------------------------------------------------------	---------	---------	---------

	3-196	Floor Mount Kit for Exposed Tub Sets Set includes: 2 each Floor Flanges 2 each 3/4" Risers - 31" high. Stabilizer kit sold separately.	\$637	\$888	\$1,066
	3-226	Same as above only 24" high.	\$612	\$855	\$1,029
	3-192	3/4" Shut-off Valves for above (1 pair hot & cold).	\$896	\$1,065	\$1,278

	1-378	Optional Rough For Exposed Tub Filler For subfloor or concrete floor installations. 3.65" overall height. 10.38" x 5" overall base size. Universal 1/2" NPT connections. Test caps included. For use with 3-196 or 3-226 tub risers.	\$440	—	—
	2-734	Stabilizer Kit for Exposed Tub Floor Riser Kits Adjustable for risers that are 6" to 9" apart. Includes 1-1/2" finished ring for connecting kit to tub overflow pipe. Finished plate for wall mounting up to 10" center of riser pipes.	\$314	\$406	\$435
	2419	Bidet Set. Lever Handles. 1/2" valves. Includes bottom spray with vacuum breaker, 4 hole mount bidet.	\$1,495	\$2,014	\$2,311
	3-2403TR	1/2" Thermostatic Trim Plate with Handles Integrated diverter handle with independent temperature control. MUST ORDER VALVE SEPARATELY.	\$628	\$834	\$960
	3-2413TR	1/2" Thermostatic Trim Plate with Handles Integrated diverter handle with independent temperature control. MUST ORDER VALVE SEPARATELY.	\$628	\$834	\$960
	1-741	1/2" Thermostatic Rough-in Valve 1-Port	\$524	—	—
	1-742	1/2" Thermostatic Rough-in Valve 2-Port**	\$627	—	—
	1-743	1/2" Thermostatic Rough-in Valve 3-Port - Shared	\$686	—	—
	1-744	1/2" Thermostatic Rough-in Valve 3-Port**	\$686	—	—
	1-745	1/2" Thermostatic Rough-in Valve 2-Port - Shared	\$627	—	—
	1-741	See page 348 for more details.			
	20-146	1/2" Valve Trim Extension Kit Extends 1-3/8". Please specify finish.	\$273	\$368	\$423
	3-2404TR	3/4" Thermostatic Trim Plate with Handle MUST ORDER VALVE SEPARATELY.	\$702	\$912	\$1,055

**Cal Green compliant



3-2414TR 3/4" Thermostatic Trim Plate with Handle
MUST ORDER VALVE SEPARATELY. \$702 \$912 \$1,055



1-540 3/4" Thermostatic Rough-in Valve
Flow rate of 18 gallons per minute at 60 PSI.
Factory calibrated comfort setting at 100-deg F,
built-in check valves with service stops.
IAPMO Listed. Meets ASSE Standard 1016.
\$794 — —
MUST USE WITH SEPARATE STOP/VOLUME CONTROL



2-260 3/4" Valve trim extension kit
Extends 1-3/8". Please specify finish. \$190 \$259 \$311



3-374 Diverter/Flow Control Trim
Use with stop or diverter valves, see page 355. \$237 \$311 \$358



3-373 Diverter/Flow Control Trim
Use with stop or diverter valves, see page 355. \$237 \$311 \$358



1-606U 1/2" inlet/outlet universal stop valve.
(clockwise off, for cross or lever handle) \$195 — —

1-607U 3/4" inlet/outlet universal stop valve.
(clockwise off, for cross or lever handle) \$265 — —



1-617 1/2" In-wall 2 & 3 way diverter valve
1 inlet, 3 outlets.** \$279 — —



1/2" in-wall diverter valves* with:

1-701 3 function with off. 1 inlet, 3 outlets.** \$334 — —

1-702 5 function with share and off. 1 inlet, 3 outlets. \$334 — —

1-703 3 function with pause. 1 inlet, 3 outlets.** \$334 — —

*SEE PAGES 312-315
FOR HOW TO USE
THESE DIVERTERS.

**Cal Green compliant



*SEE PAGES 312-315 FOR HOW TO USE THESE DIVERTERS.

1/2" in-wall diverter valves* with:

1-704	2 function with off. 1 inlet, 2 outlets.**	\$334	—	—
1-705	3 function with share and off. 1 inlet, 2 outlets.	\$334	—	—
1-706	2 function with pause. 1 inlet, 2 outlets.**	\$334	—	—
1-707	3 function with share (no off). 1 inlet, 2 outlets.	\$334	—	—



2-645	Tank Lever for Aylesbury, Jacobean and Sutton Series	\$147	\$190	\$223
6-505	Tank Lever Mechanism	\$115	\$139	\$155



34-01	18" Towel Bar	\$285	\$373	\$413
34-02	24" Towel Bar	\$304	\$377	\$419



34-09	Towel Ring	\$208	\$268	\$304
--------------	------------	-------	-------	-------



34-12	Single Robe Hook	\$155	\$202	\$236
--------------	------------------	-------	-------	-------



34-13	Double Robe Hook	\$183	\$236	\$268
--------------	------------------	-------	-------	-------



34-27	Open Toilet Tissue Holder	\$187	\$233	\$269
--------------	---------------------------	-------	-------	-------



34-28	Double Post Toilet Tissue Holder	\$268	\$340	\$391
--------------	----------------------------------	-------	-------	-------

JACOBEAN - 2460, 2470

HOW TO ORDER: **STEP 1:** Select Decorative Rings and Mounting Kit
STEP 2: Select Grab Bar Tube



STEP 1: 2400-2400 Decorative Rings and Mounting Kit \$259 \$383 \$429

STEP 2:

5080	12" Grab Bar Tube	\$140	\$206	\$230
5081	16" Grab Bar Tube	\$166	\$233	\$293
5082	18" Grab Bar Tube	\$187	\$260	\$285
5083	24" Grab Bar Tube	\$224	\$301	\$347
5085	36" Grab Bar Tube	\$330	\$410	\$485



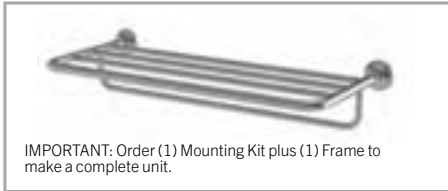
2400-3942 42" Grab Bar \$691 \$933 \$1,074

Sold as complete unit



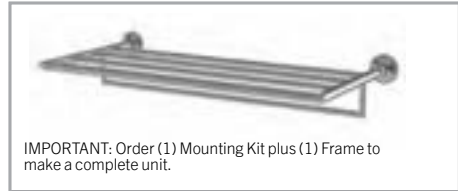


Available Finishes:		PC	PN SN
5434T-18	18" Shelf	\$306	\$368



IMPORTANT: Order (1) Mounting Kit plus (1) Frame to make a complete unit.

Available Finishes:		PC	PN SN
544B	Hotel Shelf Mounting Kit	\$137	\$164
XX43-20	20" Hotel Shelf Frame with Towel Bar	\$306	\$366
XX43-24	24" Hotel Shelf Frame with Towel Bar	\$326	\$387



IMPORTANT: Order (1) Mounting Kit plus (1) Frame to make a complete unit.

Available Finishes:		PC	PN SN
544B	Hotel Shelf Mounting Kit	\$137	\$164
XX43S-20	20" Hotel Shelf Frame with Towel Bar, Squared Corners	\$384	\$463
XX43S-24	24" Hotel Shelf Frame with Towel Bar, Squared Corners	\$415	\$497



Available Finishes:		PC	PN SN
5442	24.53" x 36.53" Overall Frameless Pivoting Mirror	\$663	\$746

JOFFREY

2570



LAVATORY FAUCETS | TUB & SHOWER | ACCESSORIES | GRAB BARS



2570 Widespread Lavatory Faucet
1/2" valves. Spout c-c 6.05".
8" centers. \$1,185 \$1,600 \$1,829



5-2572BP BP Tub & Shower Trim
Less tub spout, showerhead, arm and flange.
MUST ORDER VALVE SEPARATELY. \$774 \$1,008 \$1,161

1-685 Newport Brass BP Valve with diverter, 4 port with
service stops, universal 1/2" NPT & direct sweat
connections. \$384 — —
See Shower & Drain Sections to complete shower.



3-2574BP BP Shower Set
MUST ORDER VALVE SEPARATELY. \$1,209 \$1,634 \$1,877

1-684 Newport Brass BP Valve, 3 port with service stops,
universal 1/2" NPT & direct sweat connections. \$278 — —



4-2574BP BP Shower Trim
Less showerhead, arm and flange.
MUST ORDER VALVE SEPARATELY. \$686 \$894 \$1,031

1-684 Newport Brass BP Valve, 3 port with service stops,
universal 1/2" NPT & direct sweat connections. \$278 — —
See Shower & Drain Sections to complete shower.











20-258 Tub Spout
3/4" NPT inlet fitting.
7.35" spout overall length. \$316 \$442 \$527



3-2575 Wall Mount Tub Faucet
MUST ORDER VALVES SEPARATELY. \$895 \$1,208 \$1,387

1-500U 2-valve rough with 1/2" NPT inlets & outlet. \$358 — —

	3-2576	Roman Tub Faucet Spout c-c 9.29". MUST ORDER VALVES SEPARATELY.	\$1,267	\$1,647	\$1,895
	1-665	3/4" valve for above. Includes quick connect.	\$438	—	—
	3-2577	Roman Tub Faucet with Handshower. Spout c-c 9.29". MUST ORDER VALVES SEPARATELY.	\$1,880	\$2,441	\$2,806
	1-666	3/4" valve for above. Includes hose and quick connect.	\$883	—	—
	2579	Bidet Set 1/2" valves. Includes bottom spray with vacuum breaker, 4 hole mount bidet.	\$1,450	\$1,928	\$2,214
	3-2573TS	1/2" Thermostatic Trim Plate with Handles Integrated diverter handle with independent temperature control. MUST ORDER VALVE SEPARATELY.	\$713	\$927	\$1,066
	1-741	1/2" Thermostatic Rough-in Valve 1-Port	\$524	—	—
	1-742	1/2" Thermostatic Rough-in Valve 2-Port**	\$627	—	—
	1-743	1/2" Thermostatic Rough-in Valve 3-Port - Shared	\$686	—	—
	1-744	1/2" Thermostatic Rough-in Valve 3-Port**	\$686	—	—
	1-745	1/2" Thermostatic Rough-in Valve 2-Port - Shared	\$627	—	—
		See page 348 for more details.			
	20-146	1/2" Valve Trim Extension Kit Extend 1-3/8". Please specify finish.	\$273	\$368	\$423
	3-2574TS	3/4" Thermostatic Trim Plate with Handle MUST ORDER VALVE SEPARATELY.	\$753	\$980	\$1,126
	1-540	3/4" Thermostatic Rough-in Valve Flow rate of 18 gallons per minute at 60 PSI. Factory calibrated comfort setting at 100-deg F, built-in check valves with service stops. IAPMO Listed. Meets ASSE Standard 1016. MUST USE WITH SEPARATE STOP/VOLUME CONTROL	\$794	—	—



2-260 3/4" Valve trim extension kit
Extends 1-3/8". Please specify finish.

\$190 \$259 \$311



3-594 Diverter/Flow Control Trim
Use with stop or diverter valves, see page 355.

\$228 \$308 \$355



1-606U 1/2" inlet/outlet universal stop valve.
(clockwise off, for cross or lever handle)

\$195 — —

1-607U 3/4" inlet/outlet universal stop valve.
(clockwise off, for cross or lever handle)

\$265 — —



1-617 1/2" In-wall 2 & 3 way diverter valve
1 inlet, 3 outlets.**

\$279 — —

1/2" in-wall diverter valves* with:



*SEE PAGES 312-315
FOR HOW TO USE
THESE DIVERTERS.

1-701 3 function with off. 1 inlet, 3 outlets.**

\$334 — —

1-702 5 function with share and off. 1 inlet, 3 outlets.

\$334 — —

1-703 3 function with pause. 1 inlet, 3 outlets.**

\$334 — —

1-704 2 function with off. 1 inlet, 2 outlets.**

\$334 — —

1-705 3 function with share and off. 1 inlet, 2 outlets.

\$334 — —

1-706 2 function with pause. 1 inlet, 2 outlets.**

\$334 — —

1-707 3 function with share (no off). 1 inlet, 2 outlets.

\$334 — —



41-02 24" Towel Bar

\$279 \$335 \$439



41-09 Towel Ring

\$231 \$279 \$367



41-12	Single Robe Hook	\$124	\$152	\$192
--------------	------------------	-------	-------	-------



41-27	Open Toilet Tissue Holder	\$217	\$260	\$305
--------------	---------------------------	-------	-------	-------



41-28	Double Post Toilet Tissue Holder	\$262	\$316	\$369
--------------	----------------------------------	-------	-------	-------

HOW TO ORDER: **STEP 1:** Select Decorative Rings and Mounting Kit
STEP 2: Select Grab Bar Tube



STEP 1:	2570-2400 Decorative Rings and Mounting Kit	\$220	\$331	\$381
----------------	----------------------------------------------------	-------	-------	-------



STEP 2:	5080SQ 12" Grab Bar Tube	\$181	\$215	\$250
	5081SQ 16" Grab Bar Tube	\$221	\$297	\$350
	5082SQ 18" Grab Bar Tube	\$244	\$299	\$365
	5083SQ 24" Grab Bar Tube	\$283	\$340	\$402
	5085SQ 36" Grab Bar Tube	\$369	\$462	\$533



2570-3942	42" Grab Bar	\$691	\$933	\$1,074
------------------	--------------	-------	-------	---------



Sold as complete unit



Available Finishes:		PC	PN SN
4902	18" Towel Bar	\$247	\$296



Available Finishes:		PC	PN SN
4917	Valet Hook	\$263	\$290



Available Finishes:		PC	PN SN
4934T-24	24" Shelf	\$296	\$356



Available Finishes:		NO FINISH
4641N	16" x 34" Overall Frameless Mirror	\$412

KEATON

2490



LAVATORY FAUCETS | TUB & SHOWER | ACCESSORIES | GRAB BARS



2490	Widespread Lavatory Faucet 1/2" valves. 8" centers. Spout c-c 5.25".	\$1,003	\$1,338	\$1,551
-------------	----------------------------------------------------------------------------	---------	---------	---------



2493	Single Hole Lavatory Faucet 5.65" spout height at outlet. 5.58" spout reach (c-c). 10.48" overall height. Includes pop-up assembly.	\$894	\$1,205	\$1,383
-------------	-------------------------------------------------------------------------------------------------------------------------------------------------	-------	---------	---------

101	Cover Plate, Optional 6" x 2.5".	\$99	\$142	\$152
------------	-------------------------------------	------	-------	-------



3-2491	Wall Mount Lavatory Faucet Spout c-c 7.25. 8" centers. Drain not included. See Brasstech # 330, 3301, 3302 or 3303. MUST ORDER VALVE SEPARATELY.	\$770	\$1,036	\$1,190
---------------	------------------------------------------------------------------------------------------------------------------------------------------------------------------	-------	---------	---------

1-532U	2-valve rough with 1/2" NPT inlets & outlet.	\$358	—	—
---------------	----------------------------------------------	-------	---	---



5-2492BP	BP Tub & Shower Trim Less tub spout, showerhead, arm and flange. MUST ORDER VALVE SEPARATELY.	\$593	\$770	\$887
-----------------	------------------------------------------------------------------------------------------------------------	-------	-------	-------

1-685	Newport Brass BP Valve with diverter, 4 port with service stops, universal 1/2" NPT & direct sweat connections.	\$384	—	—
--------------	-----------------------------------------------------------------------------------------------------------------	-------	---	---

See Shower & Drain Sections to complete shower.



3-2494BP	BP Shower Set MUST ORDER VALVE SEPARATELY.	\$961	\$1,263	\$1,485
-----------------	------------------------------------------------------	-------	---------	---------

1-684	Newport Brass BP Valve, 3 port with service stops, universal 1/2" NPT & direct sweat connections.	\$278	—	—
--------------	---------------------------------------------------------------------------------------------------	-------	---	---



4-2494BP	BP Shower Trim Less showerhead, arm and flange. MUST ORDER VALVE SEPARATELY.	\$500	\$675	\$775
-----------------	-------------------------------------------------------------------------------------------	-------	-------	-------

1-684	Newport Brass BP Valve, 3 port with service stops, universal 1/2" NPT & direct sweat connections.	\$278	—	—
--------------	---------------------------------------------------------------------------------------------------	-------	---	---

See Shower & Drain Sections to complete shower.

KEATON - 2490

	3-407	Tub Spout 1/2" NPT inlet fitting. 9.15" spout overall length.	\$246	\$334	\$381
	3-2495	Wall Mount Tub Faucet Spout c-c 8.25". MUST ORDER VALVES SEPARATELY.	\$846	\$1,140	\$1,309
	1-500U	2-valve rough with 1/2" NPT inlets & outlet.	\$358	—	—
	3-2496	Roman Tub Faucet Spout c-c 7.15". MUST ORDER VALVES SEPARATELY.	\$1,077	\$1,452	\$1,671
	1-697	3/4" valve for above. Quick connect included.	\$438	—	—
	3-2497	Roman Tub Faucet with Handshower Spout c-c 7.15". MUST ORDER VALVES SEPARATELY.	\$1,423	\$1,922	\$2,206
	1-698	3/4" valve for above. Includes hose & quick connect.	\$883	—	—
	2489	Bidet Set 1/2" valves. Includes bottom spray with vacuum breaker. 4 hole mount bidet.	\$1,434	\$1,936	\$2,224
	280R	Contemporary Hand Shower Set Includes: No. 283-101 Single Function Handshower Round No. 284 Braided Hose No. 3-672 Supply Elbow & Holder	\$588	\$767	\$917
	3-2023TR	1/2" Thermostatic Trim Plate with Handles Integrated diverter handle with independent temperature control. MUST ORDER VALVE SEPARATELY.	\$628	\$834	\$960
	1-741	1/2" Thermostatic Rough-in Valve 1-Port	\$524	—	—
	1-742	1/2" Thermostatic Rough-in Valve 2-Port**	\$627	—	—
	1-743	1/2" Thermostatic Rough-in Valve 3-Port - Shared	\$686	—	—
	1-744	1/2" Thermostatic Rough-in Valve 3-Port**	\$686	—	—
	1-745	1/2" Thermostatic Rough-in Valve 2-Port - Shared	\$627	—	—

1-741

See page 348 for more details.

**Cal Green compliant



20-146 1/2" Valve Trim Extension Kit
Extends 1-3/8". Please specify finish.

\$273 \$368 \$423



3-2484TR 3/4" Thermostatic Trim Plate with Handle
MUST ORDER VALVES SEPARATELY.

\$769 \$1,035 \$1,188



1-540 3/4" Thermostatic Rough-in Valve
Flow rate of 18 gallons per minute at 60 PSI.
Factory calibrated comfort setting at 100-deg F,
built-in check valves with service stops.
IAPMO Listed. Meets ASSE Standard 1016.
MUST USE WITH SEPARATE STOP/VOLUME CONTROL

\$794 — —



2-260 3/4" Valve trim extension kit
Extends 1-3/8" . Please specify finish.

\$190 \$259 \$311



3-608 3/4" Diverter/Flow Control Trim
Use with stop or diverter valves, see page 355.

\$228 \$308 \$356



1-606U 1/2" inlet/outlet universal stop valve.
(clockwise off, for cross or lever handle)

\$195 — —

1-607U 3/4" inlet/outlet universal stop valve.
(clockwise off, for cross or lever handle)

\$265 — —



1-617 1/2" In-wall 2 & 3 way diverter valve
1 inlet, 3 outlets.**

\$279 — —



1/2" in-wall diverter valves* with:

1-701 3 function with off. 1 inlet, 3 outlets.**

\$334 — —

1-702 5 function with share and off. 1 inlet, 3 outlets.

\$334 — —

1-703 3 function with pause. 1 inlet, 3 outlets.**

\$334 — —

*SEE PAGES 312-315
FOR HOW TO USE
THESE DIVERTERS.

KEATON - 2490



*SEE PAGES 312-315 FOR HOW TO USE THESE DIVERTERS.

		<u>1/2" in-wall diverter valves* with:</u>		
1-704	2 function with off. 1 inlet, 2 outlets.**	\$334	—	—
1-705	3 function with share and off. 1 inlet, 2 outlets.	\$334	—	—
1-706	2 function with pause. 1 inlet, 2 outlets.**	\$334	—	—
1-707	3 function with share (no off). 1 inlet, 2 outlets.	\$334	—	—



36-01	18" Towel Bar	\$221	\$265	\$314
36-02	24" Towel Bar	\$261	\$312	\$373



36-09	Towel Ring	\$308	\$369	\$440
--------------	------------	-------	-------	-------



36-12	Single Robe Hook	\$84	\$104	\$129
--------------	------------------	------	-------	-------



36-13	Double Robe Hook	\$156	\$181	\$223
--------------	------------------	-------	-------	-------








36-27	Open Toilet Tissue Holder	\$214	\$252	\$300
--------------	---------------------------	-------	-------	-------



36-28	Double Post Toilet Tissue Holder Pivoting Arm	\$248	\$311	\$353
--------------	-----------------------------------------------	-------	-------	-------

HOW TO ORDER: **STEP 1:** Select Decorative Rings and Mounting Kit
STEP 2: Select Grab Bar Tube

 	STEP 1:	2480-2400 Decorative Rings and Mounting Kit	\$206	\$230	\$282	
	STEP 2:	5080SQ	12" Grab Bar Tube	\$181	\$215	\$250
		5081SQ	16" Grab Bar Tube	\$221	\$297	\$350
		5082SQ	18" Grab Bar Tube	\$244	\$299	\$365
		5083SQ	24" Grab Bar Tube	\$283	\$340	\$402
		5085SQ	36" Grab Bar Tube	\$369	\$462	\$533
						
<hr/>						
		2480-3942 42" Grab Bar	\$691	\$933	\$1,074	
	Sold as complete unit					
<hr/>						

KEATON - 2490



Available Finishes:		PC	MB PN, SN
4622-24	24" Double Towel Bar	\$389	\$469




Available Finishes:		PC	MB PN, SN
4607	Spare Toilet Tissue Holder	\$199	\$237



Available Finishes:		PC	MB PN, SN
4609	Double Open Toilet Tissue Holder	\$223	\$281



Available Finishes:		PC	MB PN, SN
4627	Double Toilet Tissue Holder with Cover	\$327	\$409



Available Finishes:		PC	MB PN, SN
4610T	Triple Pivoting Robe Hook	\$221	\$254




Available Finishes:		PC	MB PN, SN
4619T-12	12" Shelf with Towel Bar	\$408	\$511



Available Finishes:		PC	MB PN, SN
4619T-24	24" Shelf with Towel Bar	\$439	\$527



Available Finishes:		PC	MB PN, SN
4634T	24" Shelf	\$300	\$363




IMPORTANT: Order (1) Mounting Kit plus (1) Frame to make a complete unit.

Available Finishes:		PC	MB PN, SN
464B	Hotel Shelf Mounting Kit	\$128	\$155
XX43-20	20" Hotel Shelf Frame with Towel Bar	\$306	\$366
XX43-24	24" Hotel Shelf Frame with Towel Bar	\$326	\$387




IMPORTANT: Order (1) Mounting Kit plus (1) Frame to make a complete unit.


Available Finishes:		PC	MB PN, SN
464B	Hotel Shelf Mounting Kit	\$128	\$155
XX43S-20	20" Hotel Shelf Frame w/Towel Bar, Squared Corners	\$384	\$463
XX43S-24	24" Hotel Shelf Frame w/Towel Bar, Squared Corners	\$415	\$497



Available Finishes:		PC	MB PN, SN
4681	Single Light 3.6" ø Rosette	\$466	\$561
4681L	Single Light 4.6" ø Rosette	\$483	\$580



Available Finishes:		PC	MB PN, SN
4682	Double Light, 3.6" ø Rosette	\$532	\$638
4682L	Double Light, 4.6" ø Rosette	\$549	\$662



Available Finishes:		NO FINISH
4641N	16"x34" Overall Frameless Mirror	\$412

KIRSI

3120 | 3130



LAVATORY FAUCETS | TUB & SHOWER | ACCESSORIES | GRAB BARS



3120 Widespread Lavatory Faucet
1/2" valves. 8" centers.
Spout c-c 5.25".

\$1,052 \$1,421 \$1,631



3130 Widespread Lavatory Faucet
1/2" valves. 8" centers.
Spout c-c 5.25".

\$942 \$1,276 \$1,517



2493 Single Hole Lavatory Faucet
5.65" spout height at outlet.
5.58" spout reach (c-c).
10.48" overall height.
Includes pop-up assembly.

\$894 \$1,205 \$1,383

101 Cover Plate, Optional
6" x 2.5".

\$99 \$142 \$152



3-3121 Wall Mount Lavatory Faucet
Spout c-c 7.25. 8" centers.
Drain not included. See Brasstech
330, 3301, 3302 or 3303.
MUST ORDER VALVE SEPARATELY.

\$739 \$905 \$1,038

1-532U 2-valve rough with 1/2" NPT inlets & outlet.

\$358 — —



5-3102BP BP Tub & Shower Trim.
Less tub spout, showerhead, arm and flange.
MUST ORDER VALVE SEPARATELY.

\$602 \$784 \$902

1-685 Newport Brass BP Valve with diverter, 4 port with
service stops, universal 1/2" NPT & direct sweat
connections.

\$384 — —

See Shower & Drain Sections to complete shower.



3-3124BP BP Shower Set.
MUST ORDER VALVE SEPARATELY.

\$883 \$1,149 \$1,321



1-684 Newport Brass BP Valve, 3 port with service stops,
universal 1/2" NPT & direct sweat connections.

\$278 — —

KIRSI - 3120



4-3104BP	BP Shower Trim. Less showerhead, arm and flange. MUST ORDER VALVE SEPARATELY.	\$513	\$668	\$768
1-684	Newport Brass BP Valve, 3 port with service stops, universal 1/2" NPT & direct sweat connections. See Shower & Drain Sections to complete shower.	\$278	—	—



3-407	Tub Spout 1/2" NPT inlet fitting. 9.15" spout overall length.	\$246	\$334	\$381
--------------	---------------------------------------------------------------------	-------	-------	-------



3-3125	Wall Mount Tub Faucet Spout c-c 8.25". MUST ORDER VALVES SEPARATELY.	\$712	\$925	\$1,064
---------------	----------------------------------------------------------------------------	-------	-------	---------



1-500U	2-valve rough with 1/2" NPT inlets & outlet.	\$358	—	—
---------------	----------------------------------------------	-------	---	---



3-3126	Roman Tub Faucet Spout c-c 7.15". MUST ORDER VALVES SEPARATELY.	\$1,010	\$1,315	\$1,509
---------------	-----------------------------------------------------------------------	---------	---------	---------

1-697	3/4" valve for above. Includes quick connect.	\$438	—	—
--------------	--------------------------------------------------	-------	---	---



3-3127	Roman Tub Faucet with Handshower Spout c-c 7.15". MUST ORDER VALVES SEPARATELY.	\$1,344	\$1,745	\$2,009
---------------	---------------------------------------------------------------------------------------	---------	---------	---------

1-698	3/4" valve for above. Includes hose & quick connect.	\$883	—	—
--------------	---------------------------------------------------------	-------	---	---



3109	Bidet Set 1/2" valves. Includes bottom spray with vacuum breaker, 4 hole mount bidet.	\$1,437	\$1,867	\$2,147
-------------	---------------------------------------------------------------------------------------------	---------	---------	---------



3-3103TR	1/2" Thermostatic Trim Plate with Handles Integrated diverter handle with independent temperature control.	\$649	\$868	\$996
-----------------	------------------------------------------------------------------------------------------------------------------	-------	-------	-------

MUST ORDER VALVE SEPARATELY.



1-741

1-741	1/2" Thermostatic Rough-in Valve 1-Port	\$524	—	—
1-742	1/2" Thermostatic Rough-in Valve 2-Port**	\$627	—	—
1-743	1/2" Thermostatic Rough-in Valve 3-Port - Shared	\$686	—	—
1-744	1/2" Thermostatic Rough-in Valve 3-Port**	\$686	—	—
1-745	1/2" Thermostatic Rough-in Valve 2-Port - Shared	\$627	—	—

See page 348 for more details.

**Cal Green compliant



20-146 1/2" Valve Trim Extension Kit
Extends 1-3/8". Please specify finish.

\$273 \$368 \$423



3-994LTR 3/4" Thermostatic Trim Plate with Handle
MUST ORDER VALVES SEPARATELY.

\$480 \$624 \$719



1-540 3/4" Thermostatic Rough-in Valve
Flow rate of 18 gallons per minute at 60 PSI.
Factory calibrated comfort setting at 100-deg F,
built-in check valves with service stops.
IAPMO Listed. Meets ASSE Standard 1016.

\$794 — —

MUST USE WITH SEPARATE STOP/VOLUME CONTROL



2-260 3/4" Valve trim extension kit
Extends 1-3/8". Please specify finish.

\$190 \$259 \$311



3-549 Diverter/Flow Control Trim
Use with stop or diverter valves, see page 355.

\$238 \$324 \$368



1-606U 1/2" inlet/outlet universal stop valve.
(clockwise off, for cross or lever handle)

\$195 — —

1-607U 3/4" inlet/outlet universal stop valve.
(clockwise off, for cross or lever handle)

\$265 — —



1-617 1/2" In-wall 2 & 3 way diverter valve
1 inlet, 3 outlets.**

\$279 — —



1/2" in-wall diverter valves* with:

1-701 3 function with off. 1 inlet, 3 outlets.**

\$334 — —

1-702 5 function with share and off. 1 inlet, 3 outlets.

\$334 — —

1-703 3 function with pause. 1 inlet, 3 outlets.**

\$334 — —

*SEE PAGES 312-315
FOR HOW TO USE
THESE DIVERTERS.

**Cal Green compliant

KIRSI - 3120



*SEE PAGES 312-315 FOR HOW TO USE THESE DIVERTERS.

1/2" in-wall diverter valves* with:

1-704	2 function with off. 1 inlet, 2 outlets.**	\$334	—	—
1-705	3 function with share and off. 1 inlet, 2 outlets.	\$334	—	—
1-706	2 function with pause. 1 inlet, 2 outlets.**	\$334	—	—
1-707	3 function with share (no off). 1 inlet, 2 outlets.	\$334	—	—



36-01	18" Towel Bar	\$221	\$265	\$314
36-02	24" Towel Bar	\$261	\$312	\$373



36-09	Towel Ring	\$308	\$369	\$440
--------------	------------	-------	-------	-------



36-12	Single Robe Hook	\$84	\$104	\$129
--------------	------------------	------	-------	-------



36-13	Double Robe Hook	\$156	\$181	\$223
--------------	------------------	-------	-------	-------



36-27	Open Toilet Tissue Holder	\$214	\$252	\$300
--------------	---------------------------	-------	-------	-------



36-28	Double Post Toilet Tissue Holder Pivoting Arm	\$248	\$311	\$353
--------------	--------------------------------------------------	-------	-------	-------

HOW TO ORDER: **STEP 1:** Select Decorative Rings and Mounting Kit
STEP 2: Select Grab Bar Tube



STEP 1: 2480-2400 Decorative Rings and Mounting Kit \$206 \$230 \$282



STEP 2:

5080SQ	12" Grab Bar Tube	\$181	\$215	\$250
5081SQ	16" Grab Bar Tube	\$221	\$297	\$350
5082SQ	18" Grab Bar Tube	\$244	\$299	\$365
5083SQ	24" Grab Bar Tube	\$283	\$340	\$402
5085SQ	36" Grab Bar Tube	\$369	\$462	\$533



Sold as complete unit

2480-3942 42" Grab Bar \$691 \$933 \$1,074



KIRSI - 3120



Available Finishes:		PC	MB PN, SN
4622-24	24" Double Towel Bar	\$389	\$469




Available Finishes:		PC	MB PN, SN
4607	Spare Toilet Tissue Holder	\$199	\$237



Available Finishes:		PC	MB PN, SN
4609	Double Open Toilet Tissue Holder	\$223	\$281



Available Finishes:		PC	MB PN, SN
4627	Double Toilet Tissue Holder with Cover	\$327	\$409



Available Finishes:		PC	MB PN, SN
4610T	Triple Pivoting Robe Hook	\$221	\$254




Available Finishes:		PC	MB PN, SN
4619T-12	12" Shelf with Towel Bar	\$408	\$511



Available Finishes:		PC	MB PN, SN
4619T-24	24" Shelf with Towel Bar	\$439	\$527



Available Finishes:		PC	MB PN, SN
4634T	24" Shelf	\$300	\$363




IMPORTANT: Order (1) Mounting Kit plus (1) Frame to make a complete unit.

Available Finishes:		PC	MB PN, SN
464B	Hotel Shelf Mounting Kit	\$128	\$155
XX43-20	20" Hotel Shelf Frame with Towel Bar	\$306	\$366
XX43-24	24" Hotel Shelf Frame with Towel Bar	\$326	\$387




IMPORTANT: Order (1) Mounting Kit plus (1) Frame to make a complete unit.


Available Finishes:		PC	MB PN, SN
464B	Hotel Shelf Mounting Kit	\$128	\$155
XX43S-20	20" Hotel Shelf Frame w/Towel Bar, Squared Corners	\$384	\$463
XX43S-24	24" Hotel Shelf Frame w/Towel Bar, Squared Corners	\$415	\$497



Available Finishes:		PC	MB PN, SN
4681	Single Light 3.6" ϕ Rosette	\$466	\$561
4681L	Single Light 4.6" ϕ Rosette	\$483	\$580



Available Finishes:		PC	MB PN, SN
4682	Double Light, 3.6" ϕ Rosette	\$532	\$638
4682L	Double Light, 4.6" ϕ Rosette	\$549	\$662



Available Finishes:		NO FINISH
4641N	16"x34" Overall Frameless Mirror	\$412

MALVINA

3140 | 3150



LAVATORY FAUCETS | TUB & SHOWER | ACCESSORIES | GRAB BARS



3140

Widespread Lavatory Faucet
Lever Handles. 1/2" valves.
Spout c-c 5.37". 8" centers.

\$1,171 \$1,581 \$1,788



3150

Widespread Lavatory Faucet
Cross Handles. 1/2" valves.
Spout c-c 5.37". 8" centers.

\$1,171 \$1,581 \$1,788



5-3142BP

BP Tub & Shower Trim. Lever Handle.
Less tub spout, showerhead, arm and flange.
MUST ORDER VALVE SEPARATELY.

\$751 \$979 \$1,129

1-685

Newport Brass BP Valve with diverter, 4 port with
service stops, universal 1/2" NPT & direct sweat
connections.

\$384 — —

See Shower & Drain Sections to complete shower.



5-3152BP

BP Tub & Shower Trim. Cross Handle.
Less tub spout, showerhead, arm and flange.
MUST ORDER VALVE SEPARATELY.

\$751 \$979 \$1,129

1-685

Newport Brass BP Valve with diverter, 4 port with
service stops, universal 1/2" NPT & direct sweat
connections.

\$384 — —

See Shower & Drain Sections to complete shower.



3-3144BP

BP Shower Set. Lever Handle.
MUST ORDER VALVE SEPARATELY.

\$1,160 \$1,560 \$1,802

1-684

Newport Brass BP Valve, 3 port with service stops,
universal 1/2" NPT & direct sweat connections.

\$278 — —



4-3144BP

BP Shower Trim. Lever Handle.
Less tub spout, showerhead, arm and flange.
MUST ORDER VALVE SEPARATELY.

\$667 \$867 \$1,002

1-684

Newport Brass BP Valve, 3 port with service stops,
universal 1/2" NPT & direct sweat connections.

\$278 — —

See Shower & Drain Sections to complete shower.

MALVINA - 3140, 3150



4-3154BP	BP Shower Trim. Cross Handle. MUST ORDER VALVE SEPARATELY.	\$667	\$867	\$1,002
1-684	Newport Brass BP Valve, 3 port with service stops, universal 1/2" NPT & direct sweat connections. See Shower & Drain Sections to complete shower.	\$278	—	—



3-583	Tub Spout 1/2" NPT inlet fitting. 7.92" spout overall length.	\$342	\$446	\$512
--------------	---------------------------------------------------------------------	-------	-------	-------



3-3145	Wall Mount Tub Faucet Lever Handles. MUST ORDER VALVES SEPARATELY.	\$889	\$1,202	\$1,381
---------------	--------------------------------------------------------------------------	-------	---------	---------



1-500U	2-valve rough with 1/2" NPT inlets & outlet.	\$358	—	—
---------------	----------------------------------------------	-------	---	---



3-3146	Roman Tub Faucet Lever Handles. Spout c-c 9.50". MUST ORDER VALVES SEPARATELY.	\$1,327	\$1,791	\$2,061
---------------	--------------------------------------------------------------------------------------	---------	---------	---------

1-665	3/4" valve for above. Includes hose and quick connect.	\$438	—	—
--------------	-----------------------------------------------------------	-------	---	---



3-3147	Roman Tub Faucet with Handshower Lever Handles. Spout c-c 9.50". MUST ORDER VALVES SEPARATELY.	\$1,764	\$2,382	\$2,739
---------------	------------------------------------------------------------------------------------------------------	---------	---------	---------

1-666	3/4" valve for above. Includes hose and quick connect.	\$883	—	—
--------------	-----------------------------------------------------------	-------	---	---



3-3143TS	1/2" Thermostatic Trim Plate with Handles Integrated diverter handle with independent temperature control. MUST ORDER VALVE SEPARATELY.	\$819	\$1,094	\$1,257
-----------------	------------------------------------------------------------------------------------------------------------------------------------------------------	-------	---------	---------



3-3153TS	1/2" Thermostatic Trim Plate with Handles Integrated diverter handle with independent temperature control. MUST ORDER VALVE SEPARATELY.	\$819	\$1,094	\$1,257
-----------------	------------------------------------------------------------------------------------------------------------------------------------------------------	-------	---------	---------



1-741

1-741	1/2" Thermostatic Rough-in Valve 1-Port	\$524	—	—
1-742	1/2" Thermostatic Rough-in Valve 2-Port**	\$627	—	—
1-743	1/2" Thermostatic Rough-in Valve 3-Port - Shared	\$686	—	—
1-744	1/2" Thermostatic Rough-in Valve 3-Port**	\$686	—	—
1-745	1/2" Thermostatic Rough-in Valve 2-Port - Shared	\$627	—	—

See page 348 for more details.

**Cal Green compliant



20-146 1/2" Valve Trim Extension Kit
Extends 1-3/8". Please specify finish.

\$273 \$368 \$423



3-3144TS 3/4" Thermostatic Trim Plate with Handle
MUST ORDER VALVE SEPARATELY.

\$887 \$1,154 \$1,305



3-3154TS 3/4" Thermostatic Trim Plate with Handle
MUST ORDER VALVE SEPARATELY.

\$887 \$1,154 \$1,305



1-540 3/4" Thermostatic Rough-in Valve
Flow rate of 18 gallons per minute at 60 PSI.
Factory calibrated comfort setting at 100-deg F,
built-in check valves with service stops.
IAPMO Listed. Meets ASSE Standard 1016.
MUST USE WITH SEPARATE STOP/VOLUME CONTROL

\$794 — —



2-260 3/4" Valve trim extension kit
Extends 1-3/8". Please specify finish.

\$190 \$259 \$311



3-580 Diverter/Flow Control Trim
Use with stop or diverter valves, see page 355.

\$263 \$337 \$389



3-581 Diverter/Flow Control Trim
Use with stop or diverter valves, see page 355.

\$263 \$337 \$389



1-606U 1/2" inlet/outlet universal stop valve.
(clockwise off, for cross or lever handle)

\$195 — —

1-607U 3/4" inlet/outlet universal stop valve.
(clockwise off, for cross or lever handle)

\$265 — —



1-617 1/2" In-wall 2 & 3 way diverter valve
1 inlet, 3 outlets.**

\$279 — —

1/2" in-wall diverter valves* with:



*SEE PAGES 312-315
FOR HOW TO USE
THESE DIVERTERS.

1-701 3 function with off. 1 inlet, 3 outlets.**
1-702 5 function with share and off. 1 inlet, 3 outlets.
1-703 3 function with pause. 1 inlet, 3 outlets.**
1-704 2 function with off. 1 inlet, 2 outlets.**
1-705 3 function with share and off. 1 inlet, 2 outlets.
1-706 2 function with pause. 1 inlet, 2 outlets.**
1-707 3 function with share (no off). 1 inlet, 2 outlets.

\$334 — —
 \$334 — —
 \$334 — —
 \$334 — —
 \$334 — —
 \$334 — —
 \$334 — —



2020-1200 8' Towel Bar

\$152 \$183 \$228



2020-1230 18" Towel Bar
2020-1250 24" Towel Bar

\$217 \$260 \$324
 \$255 \$306 \$383



2020-1650 Single Robe Hook

\$76 \$90 \$125



2020-1570 Open Toilet Tissue Holder

\$207 \$248 \$311



2020-1500 Double Post Toilet Tissue Holder

\$242 \$305 \$382

HOW TO ORDER: **STEP 1:** Select Decorative Rings and Mounting Kit
STEP 2: Select Grab Bar Tube



STEP 1: 2040-2400 Decorative Rings and Mounting Kit \$220 \$230 \$282



STEP 2:

5080SQ	12" Grab Bar Tube	\$181	\$215	\$250
5081SQ	16" Grab Bar Tube	\$221	\$297	\$350
5082SQ	18" Grab Bar Tube	\$244	\$299	\$365
5083SQ	24" Grab Bar Tube	\$283	\$340	\$402
5085SQ	36" Grab Bar Tube	\$369	\$462	\$533



2040-3942 42" Grab Bar \$691 \$933 \$1,074

Sold as complete unit






Available Finishes:		PC	PN	SN
5227	Double Post Toilet Tissue Holder with Cover	\$313	\$393	




Available Finishes:		PC	PN	SN
5210T	Triple Robe Hook-Pivoting	\$206	\$227	



Available Finishes:		PC	PN	SN
5217	Valet Hook	\$253	\$278	

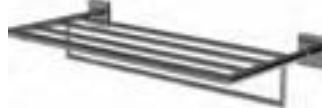


Available Finishes:		PC	PN	SN
5234T-24	24" Shelf	\$289	\$355	



IMPORTANT: Order (1) Mounting Kit plus (1) Frame to make a complete unit.

Available Finishes:		PC	PN	SN
524B	Hotel Shelf Mounting Kit	\$124	\$148	
XX43-20	20" Hotel Shelf Frame with Towel Bar	\$306	\$366	
XX43-24	24" Hotel Shelf Frame with Towel Bar	\$326	\$387	



IMPORTANT: Order (1) Mounting Kit plus (1) Frame to make a complete unit.

Available Finishes:		PC	PN	SN
524B	Hotel Shelf Mounting Kit	\$124	\$148	
XX43S-20	20" Hotel Shelf Frame w/Towel Bar, Squared Corners	\$384	\$463	
XX43S-24	24" Hotel Shelf Frame w/Towel Bar, Squared Corners	\$415	\$497	



Available Finishes:		NO FINISH
4641N	16" x 34" Overall Frameless Mirror	\$412

METRO

2540



LAVATORY FAUCETS | TUB & SHOWER | ACCESSORIES | GRAB BARS



2540

Widespread Lavatory Faucet
Triple-deck-plate. 8" centers.
Spout c-c 5.47". 1/2" valves.

\$1,099 \$1,422 \$1,632



3-2541

Wall Mount Lavatory Faucet
Spout c-c 8.32". 8" centers.
Drain not included. See Brasstech
330, 3301, 3302 or 3303.
MUST ORDER VALVES SEPARATELY.

\$922 \$1,243 \$1,427

1-532U

2-valve rough with 1/2" NPT inlets & outlet.

\$358 — —



5-2542BP

BP Tub & Shower Trim
Less tub spout, showerhead, arm and flange.
MUST ORDER VALVE SEPARATELY.

\$797 \$1,037 \$1,197

1-685

Newport Brass BP Valve with diverter, 4 port with
service stops, universal 1/2" NPT & direct sweat
connections.

\$384 — —

See Shower & Drain Sections to complete shower.



3-2544BP

BP Shower Set
MUST ORDER VALVE SEPARATELY.

\$1,244 \$1,683 \$1,934



1-684

Newport Brass BP Valve, 3 port with service stops,
universal 1/2" NPT & direct sweat connections.

\$278 — —



4-2544BP

BP Shower Trim
Less showerhead, arm and flange.
MUST ORDER VALVE SEPARATELY.

\$707 \$920 \$1,062

1-684

Newport Brass BP Valve, 3 port with service stops,
universal 1/2" NPT & direct sweat connections.

\$278 — —

See Shower & Drain Sections to complete shower.



8-030

Tub Spout
3/4" NPT inlet fitting.
9.44" spout overall length.

\$393 \$482 \$527

METRO - 2540

	3-2545	Wall Mount Tub Faucet Spout c-c 8". MUST ORDER VALVES SEPARATELY.	\$922	\$1,243	\$1,427
	1-500U	2-valve rough with 1/2" NPT inlets & outlet.	\$358	—	—
	3-2546	Roman Tub Faucet Spout c-c 8.35". Finished deck thickness should be less than or equal to 15/16". MUST ORDER VALVE SEPARATELY.	\$1,305	\$1,914	\$2,264
	1-665	3/4" valve for above. Quick connect included.	\$438	—	—
	3-2547	Roman Tub Faucet with Handshower Spout c-c 8.35". Finished deck thickness should be less than or equal to 15/16". MUST ORDER VALVE SEPARATELY.	\$1,936	\$2,923	\$3,485
	1-666	3/4" valve for above. Includes hose and quick connect.	\$883	—	—
	2489	Bidet Set 1/2" valves. Includes bottom spray with vacuum breaker. 4 hole mount bidet.	\$1,434	\$1,936	\$2,224
	280P	Contemporary Hand Shower Set Includes: No. 283-102 Single Function Handshower Square No. 284 Braided Hose No. 3-671 Supply Elbow & Holder	\$588	\$767	\$917
	3-2023TS	1/2" Thermostatic Trim Plate with Handles Integrated diverter handle with independent temperature control. MUST ORDER VALVE SEPARATELY.	\$649	\$868	\$996
	1-741	1/2" Thermostatic Rough-in Valve 1-Port	\$524	—	—
	1-742	1/2" Thermostatic Rough-in Valve 2-Port**	\$627	—	—
	1-743	1/2" Thermostatic Rough-in Valve 3-Port - Shared	\$686	—	—
	1-744	1/2" Thermostatic Rough-in Valve 3-Port**	\$686	—	—
	1-745	1/2" Thermostatic Rough-in Valve 2-Port - Shared	\$627	—	—
1-741		See page 348 for more details.			
	20-146	1/2" Valve Trim Extension Kit Extends 1-3/8". Please specify finish.	\$273	\$368	\$423

**Cal Green compliant



3-2544TS 3/4" Thermostatic Trim Plate with Handle
MUST ORDER VALVE SEPARATELY. \$719 \$967 \$1,078



1-540 3/4" Thermostatic Rough-in Valve
Flow rate of 18 gallons per minute at 60 PSI.
Factory calibrated comfort setting at 100-deg F,
built-in check valves with service stops.
IAPMO Listed. Meets ASSE Standard 1016.
MUST USE WITH SEPARATE STOP/VOLUME CONTROL \$794 — —



2-260 3/4" Valve trim extension kit
Extends 1-3/8". Please specify finish. \$190 \$259 \$311



3-609 Diverter/Flow Control Trim
Use with stop or diverter valves, see page 355. \$246 \$334 \$381



1-606U 1/2" inlet/outlet universal stop valve.
(clockwise off, for cross or lever handle) \$195 — —

1-607U 3/4" inlet/outlet universal stop valve.
(clockwise off, for cross or lever handle) \$265 — —



1-617 1/2" In-wall 2 & 3 way diverter valve
1 inlet, 3 outlets. ** \$279 — —

1/2" in-wall diverter valves* with:



1-701	3 function with off. 1 inlet, 3 outlets. **	\$334	—	—
1-702	5 function with share and off. 1 inlet, 3 outlets.	\$334	—	—
1-703	3 function with pause. 1 inlet, 3 outlets. **	\$334	—	—
1-704	2 function with off. 1 inlet, 2 outlets. **	\$334	—	—
1-705	3 function with share and off. 1 inlet, 2 outlets.	\$334	—	—
1-706	2 function with pause. 1 inlet, 2 outlets. **	\$334	—	—
1-707	3 function with share (no off). 1 inlet, 2 outlets.	\$334	—	—

*SEE PAGES 312-315
FOR HOW TO USE
THESE DIVERTERS.

METRO - 2540



2540-1230 18" Towel Bar
2540-1250 24" Towel Bar

\$311 \$373 \$465
\$345 \$416 \$519



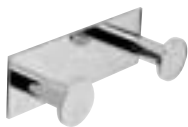
2540-1410 Towel Ring

\$235 \$283 \$354



2540-1650 Single Robe Hook

\$112 \$136 \$169



2540-1660 Double Robe Hook

\$167 \$198 \$247



2540-1570 Open Toilet Tissue Holder, Right

\$192 \$231 \$290



2540-1500 Double Post Toilet Tissue Holder

\$253 \$304 \$380

HOW TO ORDER: STEP 1: Select Decorative Rings and Mounting Kit
STEP 2: Select Grab Bar Tube



STEP 1: 2040-2400 Decorative Rings and Mounting Kit

\$220 \$230 \$282

STEP 2:
5080SQ 12" Grab Bar Tube
5081SQ 16" Grab Bar Tube
5082SQ 18" Grab Bar Tube
5083SQ 24" Grab Bar Tube
5085SQ 36" Grab Bar Tube

\$181 \$215 \$250
\$221 \$297 \$350
\$244 \$299 \$365
\$283 \$340 \$402
\$369 \$462 \$533





2040-3942 42" Grab Bar

Sold as complete unit



\$691 \$933 \$1,074



Available Finishes:	PC	SN
2804 32" Towel Bar	\$442	\$530



Available Finishes:	PC	SN
2806L Open Toilet Tissue Holder, Left	\$192	\$231



Available Finishes:	PC	SN
2809 Double Open Tissue Holder	\$233	\$281




Available Finishes:	PC	SN
2807 Spare Toilet Tissue Holder	\$205	\$247



Available Finishes:	PC	SN
2810T Triple Robe Hook	\$231	\$254



Available Finishes:	PC	SN
2810Q Quadruple Robe Hook	\$281	\$308



Available Finishes:	PC	SN
2835T-24 24" Gallery Shelf	\$442	\$530



Available Finishes:	PC	SN
2819RT-12 12" Gallery Shelfw/Towel Bar	\$419	NA
2819RT-24 24" Gallery Shelfw/Towel Bar	\$491	NA



Available Finishes:	PC	SN
28500 Shower Shelf - Soap Holder	\$337	\$405



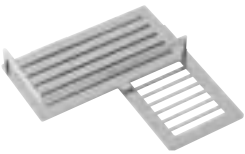
Available Finishes:	PC	SN
28502 12" Shower Shelf	\$499	\$599



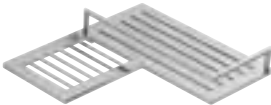
Available Finishes:	PC	SN
28501 14" Combination Shower Shelf	\$770	\$924



Available Finishes:	PC	SN
28505 Corner Shower Shelf	\$731	\$876



Available Finishes:	PC	SN
28504R Combination Corner Shower Shelf, Right	\$738	\$883



Available Finishes:	PC	SN
28504L Combination Corner Shower Shelf, Left	\$738	\$883



IMPORTANT: Order (1) Mounting Kit plus (1) Frame to make a complete unit.

Available Finishes:	PC	SN
524B Hotel Shelf Mounting Kit	\$124	\$148
XX43-20 20" Hotel Shelf Frame with Towel Bar	\$306	\$366
XX43-24 24" Hotel Shelf Frame with Towel Bar	\$326	\$387



IMPORTANT: Order (1) Mounting Kit plus (1) Frame to make a complete unit.

Available Finishes:		PC	SN
524B	Hotel Shelf Mounting Kit	\$124	\$148
XX43S-20	20" Hotel Shelf Frame w/ Towel Bar, Squared Corners	\$384	\$463
XX43S-24	24" Hotel Shelf Frame w/ Towel Bar, Squared Corners	\$415	\$497



Available Finishes:		PC	SN
2881	Single Light	\$570	\$683



Available Finishes:		PC	SN
2882	Double Light	\$675	\$812



**Mirror tilts 4.5° with mechanism.













Available Finishes:		PC	SN
2841	18.26" x 34" Overall Mirror	\$587	\$689
MTM-009	Tilt Mechanism, Optional**	\$88	\$88

METROPOLE

1200/1220/1230



LAVATORY FAUCETS | TUB & SHOWER | TANK LEVER | ACCESSORIES | GRAB BARS

 	<p>1200</p>	<p>Widespread Lavatory Faucet Lever handles. 1/2" valves. Spout c-c 5.62". 8" centers.</p>	<p>\$878</p>	<p>\$1,242</p>	<p>\$1,429</p>
 	<p>1200C</p>	<p>Widespread Lavatory Faucet Lever handles. 1/2" valves. Spout c-c 5.79". 8" centers.</p>	<p>\$995</p>	<p>\$1,295</p>	<p>\$1,490</p>
 	<p>1220</p>	<p>Widespread Lavatory Faucet Cross handles 1/2" valves. Spout c-c 5.62" 8" centers.</p>	<p>\$878</p>	<p>\$1,242</p>	<p>\$1,429</p>
 	<p>1220C</p>	<p>Widespread Lavatory Faucet Cross handles 1/2" valves. Spout c-c 5.79" 8" centers</p>	<p>\$995</p>	<p>\$1,295</p>	<p>\$1,490</p>
 	<p>1230</p>	<p>Widespread Lavatory Faucet Crystal Handles. 1/2" valves. Spout c-c 5.62". 8" centers.</p>	<p>\$1,118</p>	<p>\$1,509</p>	<p>\$1,676</p>
 	<p>1230C</p>	<p>Widespread Lavatory Faucet Crystal Handles. 1/2" valves. Spout c-c 5.79". 8" centers.</p>	<p>\$1,229</p>	<p>\$1,573</p>	<p>\$1,727</p>



1203 Single Hole Lavatory Faucet
4.32" spout height at outlet.
5.59" spout reach (c-c).
8.02" overall height.
Includes #330 lift and turn drain.

\$950 \$1,285 \$1,473

101 Cover Plate, Optional
6" x 2.5".

\$99 \$142 \$152



1203-1 Single Hole Vessel Faucet
7.51" spout height at outlet.
5.59" spout reach (c-c).
10.91" overall height.
Drain not included. For Lavatory sink drains, see Brasstech # 330, 3301, 3302 or 3303. For bar sink drains, see #130 or 131.

\$1,057 \$1,424 \$1,638

101 Cover Plate, Optional
6" x 2.5".

\$99 \$142 \$152



1233 Single Hole Lavatory Faucet with **Crystal Handle**
4.32" spout height at outlet.
5.59" spout reach (c-c).
8.02" overall height.
Includes #330 lift and turn drain.

\$1,091 \$1,472 \$1,689

101 Cover Plate, Optional
6" x 2.5".

\$99 \$142 \$152



1233-1 Single Hole Vessel Faucet with **Crystal Handle**
7.51" spout height at outlet.
5.59" spout reach (c-c).
10.91" overall height.
Drain not included. For lavatory sink drains, see Brasstech # 330, 3301, 3302 or 3303. For bar sinks, see #130 or 131.

\$1,196 \$1,615 \$1,856

101 Cover Plate, Optional
6" x 2.5".

\$99 \$142 \$152



3-1201 Wall Mount Lavatory Faucet
Lever Handles. Spout c-c 7.50".
8" centers. Drain not included.
See Brasstech #330, 3301, 3302, or 3303.
MUST ORDER VALVE SEPARATELY.

\$707 \$989 \$1,187

1-532U 2-valve rough with 1/2" NPT inlets & outlet.

\$358 — —



3-1221 Wall Mount Lavatory Faucet
Cross Handles. Spout c-c 7.50".
8" centers. Drain not included.
See Brasstech #330, 3301, 3302, or 3303.
MUST ORDER VALVE SEPARATELY.

\$707 \$989 \$1,187

1-532U 2-valve rough with 1/2" NPT inlets & outlet.

\$358 — —



3-1231 Wall Mount Lavatory Faucet
Cross Handles with **Crystal Handle**.
Spout c-c 7.50". 8" centers. Drain not included.
See Brasstech #330, 3301, 3302, or 3303.
MUST ORDER VALVE SEPARATELY.

\$916 \$1,284 \$1,540

1-532U 2-valve rough with 1/2" NPT inlets & outlets.

\$358 — —










5-1202BP BP Tub & Shower Trim. Lever Handle.
Less tub spout, showerhead, arm and flange.
MUST ORDER VALVE SEPARATELY.

\$450 \$586 \$677

1-685 Newport Brass BP Valve with diverter, 4 port with
service stops, universal 1/2" NPT & direct sweat
connections.

\$384 — —

See Shower & Drain Sections to complete shower.

	5-1222BP BP Tub & Shower Trim. Cross Handle. Less tub spout, showerhead, arm and flange. MUST ORDER VALVE SEPARATELY.	\$450	\$586	\$677
	1-685 Newport Brass BP Valve with diverter, 4 port with service stops, universal 1/2" NPT & direct sweat connections. See Shower & Drain Sections to complete shower.	\$384	—	—
	5-1232BP BP Tub & Shower Trim. Crystal Handle. Less tub spout, showerhead, arm and flange. MUST ORDER VALVE SEPARATELY.	\$771	\$1,004	\$1,156
	1-685 Newport Brass BP Valve with diverter, 4 port with service stops, universal 1/2" NPT & direct sweat connections. See Shower & Drain Sections to complete shower.	\$384	—	—
	3-1204BP BP Shower Set. Lever Handle. MUST ORDER VALVE SEPARATELY.	\$666	\$863	\$998
	1-684 Newport Brass BP Valve, 3 port with service stops, universal 1/2" NPT & direct sweat connections.	\$278	—	—
	4-1204BP BP Shower Trim. Lever Handle. Less showerhead, arm and flange. MUST ORDER VALVE SEPARATELY.	\$359	\$468	\$542
	1-684 Newport Brass BP Valve, 3 port with service stops, universal 1/2" NPT & direct sweat connections. See Shower & Drain Sections to complete shower.	\$278	—	—
	4-1224BP BP Shower Trim. Cross Handle Less showerhead, arm and flange. MUST ORDER VALVE SEPARATELY.	\$359	\$468	\$542
	1-684 Newport Brass BP Valve, 3 port with service stops, universal 1/2" NPT & direct sweat connections. See Shower & Drain Sections to complete shower.	\$278	—	—
	4-1234BP BP Shower Trim. Crystal Handle. Less showerhead, arm and flange. MUST ORDER VALVE SEPARATELY.	\$678	\$882	\$1,019
	1-684 Newport Brass BP Valve, 3 port with service stops, universal 1/2" NPT & direct sweat connections. See Shower & Drain Sections to complete shower.	\$278	—	—
	2-144 Tub Spout 1/2" NPT inlet fitting. 7.56" spout overall length.	\$230	\$312	\$358
	3-1205 Wall Mount Tub Faucet. Lever Handles. MUST ORDER VALVES SEPARATELY.	\$719	\$933	\$1,078
	1-500U 2-valve rough with 1/2" NPT inlets & outlet.	\$358	—	—



3-1225 Wall Mount Tub Faucet
Cross Handles.
MUST ORDER VALVES SEPARATELY. \$719 \$933 \$1,078

1-500U 2-valve rough with 1/2" NPT inlets & outlet. \$358 — —



3-1206 Roman Tub Faucet. Lever Handles.
Spout c-c 9.27".
MUST ORDER VALVES SEPARATELY. \$1,036 \$1,350 \$1,559

1-502 3/4" valve for above, quick connect included. \$438 — —



3-1236 Roman Tub Faucet. **Crystal Handles.**
Spout c-c 9.27".
MUST ORDER VALVES SEPARATELY. \$1,337 \$1,738 \$2,007

1-502 3/4" valve for above, quick connect included. \$438 — —



3-1207 Roman Tub Faucet with Handshower
Lever Handles. Spout c-c 9.27".
MUST ORDER VALVES SEPARATELY. \$1,398 \$1,818 \$2,097

1-503 3/4" valve for above. Includes Nos. 289 and
290 roughs and quick connect. \$883 — —



3-1237 Roman Tub Faucet with Handshower
Crystal Handles.
Spout c-c 9.27". Set includes: 1 each No. 280
Handshower, No. 284 59" Hose, No.289 Deck Flange Kit.
MUST ORDER VALVES SEPARATELY. \$1,687 \$2,193 \$2,532

1-503 3/4" valve for above. Includes Nos. 289 and
290 roughs and quick connect. \$883 — —



1200-4273 Exposed Tub and Hand Shower Set - Deck Mount
7.25" centers. Spout c-c 9.11".
Includes: 281 Hand Shower \$1,805 \$2,300 \$2,795



1200-4283 Exposed Tub and Hand Shower Set - Wall Mount
6" centers. Spout c-c 7".
Includes: 281 Hand Shower
Floor-mount kit item 3-196
or 3-226 sold separately. \$1,723 \$2,214 \$2,683











3-196 Floor Mount Kit for Exposed Tub Sets
Set includes: 2 each Floor Flanges
2 each 3/4" Risers - 31" high.
Stabilizer kit sold separately. \$637 \$888 \$1,066

3-226 Same as above only 24" high. \$612 \$855 \$1,029

3-192 3/4" Shut-off Valves for above (1 pair hot & cold). \$896 \$1,065 \$1,278

METROPOLE - 1200, 1220, 1230

	1-378	Optional Rough For Exposed Tub Filler For subfloor or concrete floor installations. 3.65" overall height. 10.38" x 5" overall base size. Universal 1/2" NPT connections. Test caps included. For use with 3-196 or 3-226 tub risers.	\$440	—	—
 Wall Mount Plate	2-734	Stabilizer Kit for Exposed Tub Floor Riser Kits Adjustable for risers that are 6" to 9" apart. Includes 1-1/2" finished ring for connecting kit to tub overflow pipe. Finished plate for wall mounting up to 10" center of riser pipes.	\$314	\$406	\$435
	1209	Bidet Set. Lever Handles. 1/2" valves. Includes bottom spray with vacuum breaker, 4 mount bidet.	\$1,585	\$2,217	\$2,662
	3-923TR	1/2" Thermostatic Trim Plate with Handles Integrated diverter handle with independent temperature control. MUST ORDER VALVE SEPARATELY.	\$587	\$789	\$905
	3-1203TR	1/2" Thermostatic Trim Plate with Handles Integrated diverter handle with independent temperature control. MUST ORDER VALVE SEPARATELY.	\$587	\$789	\$905
	3-923TS	1/2" Thermostatic Trim Plate with Handles Integrated diverter handle with independent temperature control. MUST ORDER VALVE SEPARATELY.	\$628	\$834	\$960
	3-1203TS	1/2" Thermostatic Trim Plate with Handles Integrated diverter handle with independent temperature control. MUST ORDER VALVE SEPARATELY.	\$628	\$834	\$960
	1-741	1/2" Thermostatic Rough-in Valve 1-Port	\$524	—	—
	1-742	1/2" Thermostatic Rough-in Valve 2-Port**	\$627	—	—
	1-743	1/2" Thermostatic Rough-in Valve 3-Port - Shared	\$686	—	—
	1-744	1/2" Thermostatic Rough-in Valve 3-Port**	\$686	—	—
	1-745	1/2" Thermostatic Rough-in Valve 2-Port - Shared	\$627	—	—
1-741		See page 348 for more details.			

**Cal Green compliant



20-146 1/2" Valve Trim Extension Kit
Extends 1-3/8". Please specify finish.

\$273 \$368 \$423



3-924TR 3/4" Thermostatic Trim Plate with Handle
MUST ORDER VALVE SEPARATELY.

\$480 \$624 \$719



3-1204TR 3/4" Thermostatic Trim Plate with Handle
MUST ORDER VALVE SEPARATELY.

\$480 \$624 \$719



1-540 3/4" Thermostatic Rough-in Valve
Flow rate of 18 gallons per minute at 60 PSI.
Factory calibrated comfort setting at 100-deg F,
built-in check valves with service stops.
IAPMO Listed. Meets ASSE Standard 1016.

\$794 — —

MUST USE WITH SEPARATE STOP/VOLUME CONTROL



2-260 3/4" Valve trim extension kit
Extends 1-3/8". Please specify finish.

\$190 \$259 \$311



3-245 Diverter/Flow Control Handle
Use with stop or diverter valves, see page 355.

\$210 \$293 \$353



3-447 Diverter/Flow Control Handle
Crystal Handle.
Use with stop or diverter valves, see page 355.

\$384 \$500 \$579



3-595 Diverter/Flow Control Trim. Arrow Insert.
Use with stop or diverter valves, see page 355.

\$210 \$293 \$353



1-606U 1/2" inlet/outlet universal stop valve.
(clockwise off, for cross or lever handle)

1-607U 3/4" inlet/outlet universal stop valve.
(clockwise off, for cross or lever handle)

\$195 — —

\$265 — —



1-617 1/2" In-wall 2 & 3 way diverter valve
1 inlet, 3 outlets.**

\$279 — —

1/2" in-wall diverter valves* with:



*SEE PAGES 312-315
FOR HOW TO USE
THESE DIVERTERS.

1-701 3 function with off. 1 inlet, 3 outlets.**

1-702 5 function with share and off. 1 inlet, 3 outlets.

1-703 3 function with pause. 1 inlet, 3 outlets.**

1-704 2 function with off. 1 inlet, 2 outlets.**

1-705 3 function with share and off. 1 inlet, 2 outlets.

1-706 2 function with pause. 1 inlet, 2 outlets.**

1-707 3 function with share (no off). 1 inlet, 2 outlets.

\$334 — —

\$334 — —

\$334 — —

\$334 — —

\$334 — —

\$334 — —

\$334 — —



2-279 Tank Lever for Metropole Series

6-505 Tank Lever Mechanism

\$169 \$217 \$235

\$115 \$139 \$155



1200-1230 18" Towel Bar

1200-1250 24" Towel Bar

\$213 \$255 \$327

\$220 \$262 \$334



1200-1400 Towel Ring - Open

\$184 \$221 \$282



1200-1650 Single Robe Hook

\$104 \$122 \$153



1200-1660 Double Robe Hook

\$125 \$152 \$189



1200-1510 Hanging Toilet Tissue Holder

\$197 \$214 \$294



1200-1500 Double Post Toilet Tissue Holder

\$255 \$279 \$390

HOW TO ORDER: STEP 1: Select Decorative Rings and Mounting Kit
STEP 2: Select Grab Bar Tube



STEP 1: 1200-2400 Decorative Rings and Mounting Kit

\$160 \$218 \$274

STEP 2:

- 5080 12" Grab Bar Tube
- 5081 16" Grab Bar Tube
- 5082 18" Grab Bar Tube
- 5083 24" Grab Bar Tube
- 5085 36" Grab Bar Tube

\$140 \$206 \$230
\$166 \$233 \$293
\$187 \$260 \$285
\$224 \$301 \$347
\$330 \$410 \$485



1200-3942 42" Grab Bar

\$599 \$781 \$944

Sold as complete unit



METROPOLE - 1200, 1220, 1230




Available Finishes:		PC	PN	SN
604	32" Towel Bar	\$250	\$299	



Available Finishes:		PC	PN	SN
635T-24	24" Gallery Shelf	\$499	\$599	



Available Finishes:		PC	PN	SN
682S0	Single Light Satin Opal Glass	\$435	\$521	



****Mirror tilts 4.5° with mechanism.**

Available Finishes:		PC	PN	SN
642	Framed Mirror 26.40" x 36" Overall	\$774	\$931	
MTM-009	Tilting Mechanism Optional**	\$88	\$88	

MIRO

1600 | 1620



LAVATORY FAUCETS | TUB & SHOWER | TANK LEVER | ACCESSORIES | GRAB BARS



1600	Widespread Lavatory Faucet Cross Handles. 1/2" valves. Spout c-c 5.55" . 8" centers.	\$1,023	\$1,406	\$1,613
-------------	--------------------------------------------------------------------------------------------	---------	---------	---------



1620	Widespread Lavatory Faucet Lever Handles. 1/2" valves. Spout c-c 5.55" . 8" centers.	\$1,023	\$1,406	\$1,613
-------------	--------------------------------------------------------------------------------------------	---------	---------	---------



5-1602BP	BP Tub & Shower Trim. Cross Handle. Less tub spout, showerhead, arm and flange. MUST ORDER VALVE SEPARATELY.	\$569	\$741	\$855
-----------------	---------------------------------------------------------------------------------------------------------------------------	-------	-------	-------

1-685	Newport Brass BP Valve with diverter, 4 port with service stops, universal 1/2" NPT & direct sweat connections. See Shower & Drain Sections to complete shower.	\$384	—	—
--------------	-------------------------------------------------------------------------------------------------------------------------------------------------------------------------------------	-------	---	---



5-1622BP	BP Tub & Shower Trim. Lever Handle. Less tub spout, showerhead, arm and flange. MUST ORDER VALVE SEPARATELY.	\$569	\$741	\$855
-----------------	---------------------------------------------------------------------------------------------------------------------------	-------	-------	-------

1-685	Newport Brass BP Valve with diverter, 4 port with service stops, universal 1/2" NPT & direct sweat connections. See Shower & Drain Sections to complete shower.	\$384	—	—
--------------	-------------------------------------------------------------------------------------------------------------------------------------------------------------------------------------	-------	---	---



4-1604BP	BP Shower Trim. Cross Handle. Less showerhead, arm and flange. MUST ORDER VALVE SEPARATELY.	\$480	\$624	\$719
-----------------	----------------------------------------------------------------------------------------------------------	-------	-------	-------








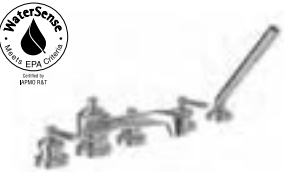
1-684	Newport Brass BP Valve, 3 port with service stops, universal 1/2" NPT & direct sweat connections. See Shower & Drain Sections to complete shower.	\$278	—	—
--------------	--------------------------------------------------------------------------------------------------------------------------------------------------------------------	-------	---	---



3-1624BP	BP Shower Set. Lever Handle. MUST ORDER VALVE SEPARATELY.	\$783	\$1,016	\$1,174
-----------------	---------------------------------------------------------------------	-------	---------	---------

1-684	Newport Brass BP Valve, 3 port with service stops, universal 1/2" NPT & direct sweat connections.	\$278	—	—
--------------	------------------------------------------------------------------------------------------------------	-------	---	---

MIRO - 1600, 1620

	4-1624BP	BP Shower Trim. Lever Handle. Less showerhead, arm and flange. MUST ORDER VALVE SEPARATELY.	\$480	\$624	\$719
	1-684	Newport Brass BP Valve, 3 port with service stops, universal 1/2" NPT & direct sweat connections. See Shower & Drain Sections to complete shower.	\$278	—	—
	2-564	Tub Spout with Stream Straightener 3/4" NPT inlet (1/2" bushing included). 7.43" spout overall length.	\$245	\$326	\$389
	3-1605	Wall Mount Tub Faucet Cross Handles. MUST ORDER VALVES SEPARATELY.	\$798	\$1,036	\$1,199
	1-500U	2-valve rough with 1/2" NPT inlets & outlet.	\$358	—	—
	3-1625	Wall Mount Tub Faucet Lever Handles. MUST ORDER VALVES SEPARATELY.	\$798	\$1,036	\$1,199
	1-500U	2-valve rough with 1/2" NPT inlets & outlet.	\$358	—	—
	3-1606	Roman Tub Faucet Cross Handles. Spout c-c 9.06". MUST ORDER VALVES SEPARATELY.	\$1,199	\$1,559	\$1,798
	1-506	3/4" valve only for above. Quick connect included.	\$438	—	—
	3-1626	Roman Tub Faucet Lever Handles. Spout c-c 9.06". MUST ORDER VALVES SEPARATELY.	\$1,199	\$1,559	\$1,798
	1-506	3/4" valve only for above. Quick connect included.	\$438	—	—
	3-1607	Roman Tub Faucet with Handshower Cross Handles. Spout c-c 9.06". MUST ORDER VALVES SEPARATELY.	\$1,584	\$2,056	\$2,372
	1-507	3/4" valve only for above. Includes hose and quick connect.	\$883	—	—
	3-1627	Roman Tub Faucet with Handshower Lever Handles. Spout c-c 9.06". MUST ORDER VALVES SEPARATELY.	\$1,584	\$2,056	\$2,372
	1-507	3/4" valve only for above. Includes hose and quick connect.	\$883	—	—



1600-4272 Exposed Tub and Hand Shower Set - Deck Mount Cross Handles.
7.25" centers. Spout c-c 9.11".
Includes: 281 Hand Shower

\$1,805 \$2,300 \$2,795



1620-4273 Exposed Tub and Hand Shower Set - Deck Mount Lever Handles.
7.25" centers. Spout c-c 9.11".
Includes: 281 Hand Shower

\$1,805 \$2,300 \$2,795



1600-4282 Exposed Tub and Hand Shower Set - Wall Mount Cross Handles.
6" centers. Spout c-c 7".
Includes: 281 Hand Shower
Floor-mount kit item 3-196
or 3-226 sold separately.

\$1,723 \$2,214 \$2,683



1620-4283 Exposed Tub and Hand Shower Set - Wall Mount Lever Handles.
6" centers. Spout c-c 7".
Includes: 281 Hand Shower
Floor-mount kit item 3-196
or 3-226 sold separately.

\$1,723 \$2,214 \$2,683



3-196 Floor Mount Kit for Exposed Tub Sets
Set includes: 2 each Floor Flanges
2 each 3/4" Risers - 31" high.
Stabilizer kit sold separately.

\$637 \$888 \$1,066

3-226 Same as above only 24" high. \$612 \$855 \$1,029

3-192 3/4" Shut-off Valves for above (1 pair hot & cold). \$896 \$1,065 \$1,278



1-378 Optional Rough For Exposed Tub Filler
For subfloor or concrete floor installations.
3.65" overall height.
10.38" x 5" overall base size.
Universal 1/2" NPT connections. Test caps included.
For use with 3-196 or 3-226 tub risers.

\$440 — —



2-734 Stabilizer Kit for Exposed Tub Floor Riser Kits
Adjustable for risers that are 6" to 9" apart.
Includes 1-1/2" finished ring for connecting kit to
tub overflow pipe. Finished plate for wall mounting
up to 10" center of riser pipes.









\$314 \$406 \$435



1629 Bidet Set
1/2" valves. Lever Handles.
Includes bottom spray with vacuum breaker,
4 hole mount bidet.

\$1,936 \$2,617 \$3,137

MIRO - 1600, 1620

	3-1603TR	1/2" Thermostatic Trim Plate with Handles Integrated diverter handle with independent temperature control. MUST ORDER VALVE SEPARATELY.	\$628	\$834	\$960
	3-1623TR	1/2" Thermostatic Trim Plate with Handles Integrated diverter handle with independent temperature control. MUST ORDER VALVE SEPARATELY.	\$628	\$834	\$960
	1-741	1/2" Thermostatic Rough-in Valve 1-Port	\$524	—	—
	1-742	1/2" Thermostatic Rough-in Valve 2-Port**	\$627	—	—
	1-743	1/2" Thermostatic Rough-in Valve 3-Port - Shared	\$686	—	—
	1-744	1/2" Thermostatic Rough-in Valve 3-Port**	\$686	—	—
	1-745	1/2" Thermostatic Rough-in Valve 2-Port - Shared	\$627	—	—
		See page 348 for more details.			
	20-146	1/2" Valve Trim Extension Kit Extends 1-3/8". Please specify finish.	\$273	\$368	\$423
	3-1604TR	3/4" Thermostatic Trim Plate with Handle MUST ORDER VALVE SEPARATELY.	\$559	\$727	\$838
	3-1624TR	3/4" Thermostatic Trim Plate with Handle MUST ORDER VALVE SEPARATELY.	\$559	\$727	\$838
	1-540	3/4" Thermostatic Rough-in Valve Flow rate of 18 gallons per minute at 60 PSI. Factory calibrated comfort setting at 100-deg F, built-in check valves with service stops. IAPMO Listed. Meets ASSE Standard 1016. MUST USE WITH SEPARATE STOP/VOLUME CONTROL	\$794	—	—
	2-260	3/4" Valve trim extension kit Extends 1-3/8". Please specify finish.	\$190	\$259	\$311

**Cal Green compliant



3-279 Diverter/Flow Control Trim
Use with stop or diverter valves, see page 355. \$256 \$357 \$429



3-279L Diverter/Flow Control Trim
Use with stop or diverter valves, see page 355. \$256 \$357 \$429



1-606U 1/2" inlet/outlet universal stop valve.
(clockwise off, for cross or lever handle) \$195 — —

1-607U 3/4" inlet/outlet universal stop valve.
(clockwise off, for cross or lever handle) \$265 — —



1-617 1/2" In-wall 2 & 3 way diverter valve
1 inlet, 3 outlets.** \$279 — —

1/2" in-wall diverter valves* with:



*SEE PAGES 312-315
FOR HOW TO USE
THESE DIVERTERS.

1-701 3 function with off. 1 inlet, 3 outlets.** \$334 — —
1-702 5 function with share and off. 1 inlet, 3 outlets. \$334 — —
1-703 3 function with pause. 1 inlet, 3 outlets.** \$334 — —
1-704 2 function with off. 1 inlet, 2 outlets.** \$334 — —
1-705 3 function with share and off. 1 inlet, 2 outlets. \$334 — —
1-706 2 function with pause. 1 inlet, 2 outlets.** \$334 — —
1-707 3 function with share (no off). 1 inlet, 2 outlets. \$334 — —



2-436 Tank Lever for Miro Series \$133 \$172 \$185

6-505 Tank Lever Mechanism \$115 \$139 \$155



1600-1230 18" Towel Bar \$154 \$185 \$251

1600-1250 24" Towel Bar \$159 \$189 \$256

MIRO - 1600, 1620



1600-1200 8" Towel Bar

\$143 \$167 \$228



1600-1660 Double Robe Hook

\$93 \$113 \$154



1600-1500 Double Post Toilet Tissue Holder

\$177 \$213 \$291

HOW TO ORDER: STEP 1: Select Decorative Rings and Mounting Kit
STEP 2: Select Grab Bar Tube



STEP 1: 1600-2400 Decorative Rings and Mounting Kit

\$259 \$383 \$429

- STEP 2:**
- 5080 12" Grab Bar Tube
 - 5081 16" Grab Bar Tube
 - 5082 18" Grab Bar Tube
 - 5083 24" Grab Bar Tube
 - 5085 36" Grab Bar Tube

\$140 \$206 \$230
\$166 \$233 \$293
\$187 \$260 \$285
\$224 \$301 \$347
\$330 \$410 \$485



1600-3942 42" Grab Bar

\$691 \$933 \$1,074

Sold as complete unit





Available Finishes:		PC	PN SN
2622-24	24" Double Towel Bar	\$276	\$328



Available Finishes:		PC	PN SN
2609	Hanging Toilet Tissue Holder	\$186	\$220



Available Finishes:		PC	PN SN
2636T	12" Shelf With Towel Bar	\$225	\$259



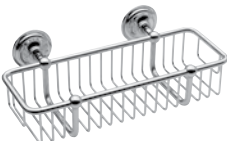
Available Finishes:		PC	PN SN
2619T-24	24" Shelf with Towel Bar	\$300	\$360



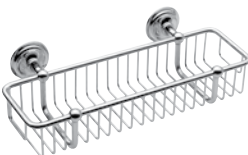
Available Finishes:		PC	PN SN
2635T-24	24" Gallery Rail Shelf	\$300	\$360




Available Finishes:		PC	PN SN
26550	Soap Basket	\$197	\$236



Available Finishes:		PC	PN SN
26551	10" Toiletry Basket	\$322	\$382



Available Finishes:		PC	PN SN
26552	12" Toiletry Basket	\$402	\$481



Available Finishes:		PC	PN SN
26554	9" Corner Basket	\$340	\$407



Available Finishes:		PC	PN SN
2681	Single Light White Fabric Shade	\$239	\$281



Available Finishes:		PC	PN SN
2641	18.63" x 30.65" Overall Frameless Pivoting Mirror	\$452	\$519



Available Finishes:		PC	PN SN
2642	23.60" x 36.65" Overall Frameless Pivoting Mirror	\$485	\$554











MUNCY

3290 | 3300 | 3360 | 3370











LAVATORY FAUCETS | TUB & SHOWER | ACCESSORIES | GRAB BARS









 	3290	Widespread Lavatory Faucet Lever Handles. 1/2" valves. Spout c-c 7.13". 8" centers.	\$1,132	\$1,584	\$1,867
 	3300	Widespread Lavatory Faucet Cross Handles. 1/2" valves. Spout c-c 7.13". 8" centers.	\$1,132	\$1,584	\$1,867
  	3360	Widespread Lavatory Faucet Lever Handles. 1/2" valves. Spout c-c 6.13". 8" centers.	\$1,132	\$1,584	\$1,867
  	3370	Widespread Lavatory Faucet Cross Handles. 1/2" valves. Spout c-c 6.13". 8" centers.	\$1,132	\$1,584	\$1,867
 	3-3291	Wall Mount Lavatory Faucet Lever handles. Spout c-c 9.50". 8" centers. Drain not included. See Brasstech #330, 3301, 3302, or 3303. MUST ORDER VALVE SEPARATELY.	\$855	\$1,196	\$1,494
	1-532U	2-valve rough with 1/2" NPT inlets & outlet.	\$358	—	—
 	3-3301	Wall Mount Lavatory Faucet Cross handles. Spout c-c 9.50". 8" centers. Drain not included. See Brasstech #330, 3301, 3302, or 3303. MUST ORDER VALVE SEPARATELY.	\$855	\$1,196	\$1,494
	1-532U	2-valve rough with 1/2" NPT inlets & outlet.	\$358	—	—

	5-3292BP	BP Tub & Shower Trim. Lever Handle. Less tub spout, showerhead, arm and flange. MUST ORDER VALVE SEPARATELY.	\$759	\$1,062	\$1,191
	1-685	Newport Brass BP Valve with diverter, 4 port with service stops, universal 1/2" NPT & direct sweat connections. See Shower & Drain Sections to complete shower.	\$384	—	—
	5-3302BP	BP Tub & Shower Trim. Cross Handle. Less tub spout, showerhead, arm and flange. MUST ORDER VALVE SEPARATELY.	\$759	\$1,062	\$1,191
	1-685	Newport Brass BP Valve with diverter, 4 port with service stops, universal 1/2" NPT & direct sweat connections. See Shower & Drain Sections to complete shower.	\$384	—	—
	4-3294BP	BP Shower Trim. Lever Handle. Less showerhead, arm and flange. MUST ORDER VALVE SEPARATELY.	\$674	\$942	\$1,076
	1-684	Newport Brass BP Valve, 3 port with service stops, universal 1/2" NPT & direct sweat connections. See Shower & Drain Sections to complete shower.	\$278	—	—
	4-3304BP	BP Shower Trim. Cross Handle. Less showerhead, arm and flange. MUST ORDER VALVE SEPARATELY.	\$674	\$942	\$1,076
	1-684	Newport Brass BP Valve, 3 port with service stops, universal 1/2" NPT & direct sweat connections. See Shower & Drain Sections to complete shower.	\$278	—	—
	3-695	Tub Spout with Stream Straightener 3/4" NPT inlet (1/2" bushing included). 9.94" spout overall length.	\$291	\$393	\$452
	3-3295	Wall Mount Tub Faucet. Lever Handles. MUST ORDER VALVE SEPARATELY.	\$898	\$1,257	\$1,457
	1-500U	2-valve rough with 1/2" NPT inlets & outlet.	\$358	—	—
	3-3305	Wall Mount Tub Faucet. Cross Handles. MUST ORDER VALVE SEPARATELY.	\$898	\$1,257	\$1,457
	1-500U	2-valve rough with 1/2" NPT inlets & outlet.	\$358	—	—
	3-3296	Roman Tub Faucet Lever Handles. Spout c-c 7.88". MUST ORDER VALVE SEPARATELY.	\$1,339	\$1,874	\$2,153
	1-665	3/4" Valve for above. Quick connect included.	\$438	—	—

MUNCY - 3290, 3300

	3-3306	Roman Tub Faucet Cross Handles. Spout c-c 7.88". MUST ORDER VALVE SEPARATELY.	\$1,339	\$1,874	\$2,153
	1-665	3/4" Valve for above. Quick connect included.	\$438	—	—
	3-3297	Roman Tub Faucet with Handshower Lever Handles. Spout c-c 7.88". MUST ORDER VALVE SEPARATELY.	\$1,782	\$2,358	\$2,778
	1-666	3/4" valve for above Includes hose and quick connect.	\$883	—	—
	3-3307	Roman Tub Faucet with Handshower Cross Handles. Spout c-c 7.88". MUST ORDER VALVE SEPARATELY.	\$1,782	\$2,358	\$2,778
	1-666	3/4" valve for above Includes hose and quick connect.	\$883	—	—
	3299	Bidet Set Lever Handles. 1/2" valves. Includes bottom spray with vacuum breaker, 4 hole mount bidet.	\$1,945	\$2,721	\$2,994
	3309	Bidet Set Cross Handles. 1/2" valves. Includes bottom spray with vacuum breaker, 4 hole mount bidet.	\$1,945	\$2,721	\$2,994
	3-3293TR	1/2" Thermostatic Trim Plate with Handles Integrated diverter handle with independent temperature control. MUST ORDER VALVE SEPARATELY.	\$827	\$1,159	\$1,335
	3-3303TR	1/2" Thermostatic Trim Plate with Handles Integrated diverter handle with independent temperature control. MUST ORDER VALVE SEPARATELY.	\$827	\$1,159	\$1,335
	1-741	1/2" Thermostatic Rough-in Valve 1-Port	\$524	—	—
	1-742	1/2" Thermostatic Rough-in Valve 2-Port**	\$627	—	—
	1-743	1/2" Thermostatic Rough-in Valve 3-Port - Shared	\$686	—	—
	1-744	1/2" Thermostatic Rough-in Valve 3-Port**	\$686	—	—
	1-745	1/2" Thermostatic Rough-in Valve 2-Port - Shared	\$627	—	—
	1-741	See page 348 for more details.			

**Cal Green compliant

	20-146	1/2" Valve Trim Extension Kit Extends 1-3/8". Please specify finish.	\$273	\$368	\$423
	3-3294TR	3/4" Thermostatic Trim Plate with Handle MUST ORDER VALVE SEPARATELY.	\$775	\$1,044	\$1,298
	3-3304TR	3/4" Thermostatic Trim Plate with Handle MUST ORDER VALVE SEPARATELY.	\$775	\$1,044	\$1,298
	1-540	3/4" Thermostatic Rough-in Valve Flow rate of 18 gallons per minute at 60 PSI. Factory calibrated comfort setting at 100-deg F, built-in check valves with service stops. IAPMO Listed. Meets ASSE Standard 1016. MUST USE WITH SEPARATE STOP/VOLUME CONTROL	\$794	—	—
	2-260	3/4" Valve trim extension kit Extends 1-3/8". Please specify finish.	\$190	\$259	\$311
	3-692	Diverter/Flow Control Trim Use with stop or diverter valves, see page 355.	\$241	\$338	\$421
	3-693	Diverter/Flow Control Trim Use with stop or diverter valves, see page 355.	\$241	\$338	\$421
	1-606U	1/2" inlet/outlet universal stop valve. (clockwise off, for cross or lever handle)	\$195	—	—
	1-607U	3/4" inlet/outlet universal stop valve. (clockwise off, for cross or lever handle)	\$265	—	—

MUNCY - 3290, 3300



1-617 1/2" In-wall 2 & 3 way diverter valve
1 inlet, 3 outlets.**

\$279 — —

1/2" in-wall diverter valves* with:



*SEE PAGES 312-315
FOR HOW TO USE
THESE DIVERTERS.

1-701	3 function with off. 1 inlet, 3 outlets.**	\$334	—	—
1-702	5 function with share and off. 1 inlet, 3 outlets.	\$334	—	—
1-703	3 function with pause. 1 inlet, 3 outlets.**	\$334	—	—
1-704	2 function with off. 1 inlet, 2 outlets.**	\$334	—	—
1-705	3 function with share and off. 1 inlet, 2 outlets.	\$334	—	—
1-706	2 function with pause. 1 inlet, 2 outlets.**	\$334	—	—
1-707	3 function with share (no off). 1 inlet, 2 outlets.	\$334	—	—



3290-1230 18" Towel Bar

\$298 \$357 \$447



3290-1250 24" Towel Bar

\$331 \$400 \$499



3290-1400 Towel Ring

\$321 \$384 \$458



3290-1650 Single Robe Hook

\$110 \$133 \$166



3290-1660 Double Robe Hook

\$163 \$193 \$242



3290-1500 Double Post Toilet Tissue Holder,
Pivoting Arm

\$262 \$316 \$375



3290-1570 Open Toilet Tissue Holder

\$222 \$262 \$312

HOW TO ORDER: **STEP 1: Select Decorative Rings and Mounting Kit**
STEP 2: Select Grab Bar Tube



STEP 1: 990-2400 Decorative Rings and Mounting Kit

\$160 \$218 \$274

STEP 2: 5080 12" Grab Bar Tube
 5081 16" Grab Bar Tube
 5082 18" Grab Bar Tube
 5083 24" Grab Bar Tube
 5085 36" Grab Bar Tube

\$140 \$206 \$230
 \$166 \$233 \$293
 \$187 \$260 \$285
 \$224 \$301 \$347
 \$330 \$410 \$485



990-3942 42" Grab Bar

\$599 \$781 \$944

Sold as complete unit



MUNCY - 3290, 3300

PARDEES

3230 | 3240



LAVATORY FAUCETS | TUB & SHOWER | ACCESSORIES | GRAB BARS



3230	Widespread Lavatory Faucet Lever Handles. 1/2" valves. Spout c-c 6.13". 8" centers.	\$1,132	\$1,584	\$1,867
-------------	----------------------------------------------------------------------------------------------	---------	---------	---------



3240	Widespread Lavatory Faucet Cross Handles. 1/2" valves. Spout c-c 6.13". 8" centers.	\$1,132	\$1,584	\$1,867
-------------	----------------------------------------------------------------------------------------------	---------	---------	---------



3-3231	Wall Mount Lavatory Faucet Lever Handles. Spout c-c 8.25". 8" centers. Drain not included. See Brasstech #330, 3301, 3302 and 3303. MUST ORDER VALVE SEPARATELY.	\$855	\$1,196	\$1,494
---------------	------------------------------------------------------------------------------------------------------------------------------------------------------------------------------	-------	---------	---------

1-532U	2-valve rough with 1/2" NPT inlets & outlet.	\$358	—	—
---------------	----------------------------------------------	-------	---	---



3-3241	Wall Mount Lavatory Faucet Cross Handles. Spout c-c 8.25". 8" centers. Drain not included. See Brasstech #330, 3301, 3302 or 3303. MUST ORDER VALVE SEPARATELY.	\$855	\$1,196	\$1,494
---------------	-----------------------------------------------------------------------------------------------------------------------------------------------------------------------------	-------	---------	---------

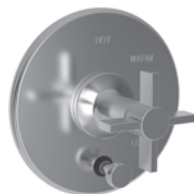
1-532U	2-valve rough with 1/2" NPT inlets & outlet.	\$358	—	—
---------------	----------------------------------------------	-------	---	---



5-3232BP	BP Tub & Shower Trim. Lever Handle. Less tub spout, showerhead, arm and flange. MUST ORDER VALVE SEPARATELY.	\$759	\$1,062	\$1,191
-----------------	--------------------------------------------------------------------------------------------------------------------	-------	---------	---------

1-685	Newport Brass BP Valve with diverter, 4 port with service stops, universal 1/2" NPT & direct sweat connections.	\$384	—	—
--------------	-----------------------------------------------------------------------------------------------------------------------	-------	---	---









See Shower & Drain Sections to complete shower.



5-3242BP	BP Tub & Shower Trim. Cross Handle. Less tub spout, showerhead, arm and flange. MUST ORDER VALVE SEPARATELY.	\$759	\$1,062	\$1,191
-----------------	--------------------------------------------------------------------------------------------------------------------	-------	---------	---------

1-685	Newport Brass BP Valve with diverter, 4 port with service stops, universal 1/2" NPT & direct sweat connections.	\$384	—	—
--------------	-----------------------------------------------------------------------------------------------------------------------	-------	---	---

See Shower & Drain Sections to complete shower.

	4-3234BP	BP Shower Trim. Lever Handle. Less showerhead, arm and flange. MUST ORDER VALVE SEPARATELY.	\$674	\$942	\$1,076
	1-684	Newport Brass BP Valve, 3 port with service stops, universal 1/2" NPT & direct sweat connections. See Shower & Drain Sections to complete shower.	\$278	—	—
	4-3244BP	BP Shower Trim. Cross Handle. Less showerhead, arm and flange. MUST ORDER VALVE SEPARATELY..	\$674	\$942	\$1,076
	1-684	Newport Brass BP Valve, 3 port with service stops, universal 1/2" NPT & direct sweat connections. See Shower & Drain Sections to complete shower.	\$278	—	—
	3-641	Tub Spout with Stream Straightener 1/2" NPT inleft fitting. 8.75" spout overall length.	\$363	\$491	\$564
	3-3235	Wall Mount Tub Faucet. Lever Handles. MUST ORDER VALVE SEPARATELY.	\$898	\$1,257	\$1,457
	1-500U	2-valve rough with 1/2" NPT inlets & outlet.	\$358	—	—
	3-3245	Wall Mount Tub Faucet. Cross Handles. MUST ORDER VALVE SEPARATELY.	\$898	\$1,257	\$1,457
	1-500U	2-valve rough with 1/2" NPT inlets & outlet.	\$358	—	—
	3-3236	Roman Tub Faucet Lever Handles. Spout c-c 8.25". MUST ORDER VALVE SEPARATELY.	\$1,339	\$1,874	\$2,153
	1-697	3/4" Valve for above. Quick connect included.	\$438	—	—
	3-3246	Roman Tub Faucet Cross Handles. Spout c-c 8.25". MUST ORDER VALVE SEPARATELY.	\$1,339	\$1,874	\$2,153
	1-697	3/4" Valve for above. Quick connect included.	\$438	—	—
	3-3237	Roman Tub Faucet with Handshower Lever Handles. Spout c-c 8.25". MUST ORDER VALVE SEPARATELY.	\$1,782	\$2,358	\$2,778
	1-698	3/4" valve for above. Includes hose and quick connect.	\$883	—	—



PARDEES - 3230, 3240



3-3247	Roman Tub Faucet with Handshower Cross Handles. Spout c-c 8.25". MUST ORDER VALVE SEPARATELY.	\$1,782	\$2,358	\$2,778
1-698	3/4" valve for above. Includes hose and quick connect.	\$883	—	—



3239	Bidet Set Lever Handles. 1/2" valves. Includes bottom spray with vacuum breaker, 4 hole mount bidet.	\$1,945	\$2,721	\$2,994
-------------	------------------------------------------------------------------------------------------------------------	---------	---------	---------



3249	Bidet Set Cross Handles. 1/2" valves. Includes bottom spray with vacuum breaker, 4 hole mount bidet.	\$1,945	\$2,721	\$2,994
-------------	------------------------------------------------------------------------------------------------------------	---------	---------	---------



3-3233TR	1/2" Thermostatic Trim Plate with Handles Integrated diverter handle with independent temperature control. MUST ORDER VALVE SEPARATELY.	\$827	\$1,159	\$1,335
-----------------	-----------------------------------------------------------------------------------------------------------------------------------------------	-------	---------	---------



3-3243TR	1/2" Thermostatic Trim Plate with Handles Integrated diverter handle with independent temperature control. MUST ORDER VALVE SEPARATELY.	\$827	\$1,159	\$1,335
-----------------	-----------------------------------------------------------------------------------------------------------------------------------------------	-------	---------	---------



1-741

1-741	1/2" Thermostatic Rough-in Valve 1-Port	\$524	—	—
1-742	1/2" Thermostatic Rough-in Valve 2-Port**	\$627	—	—
1-743	1/2" Thermostatic Rough-in Valve 3-Port - Shared	\$686	—	—
1-744	1/2" Thermostatic Rough-in Valve 3-Port**	\$686	—	—
1-745	1/2" Thermostatic Rough-in Valve 2-Port - Shared	\$627	—	—

See page 348 for more details.



20-146	1/2" Valve Trim Extension Kit Extends 1-3/8". Please specify finish.	\$273	\$368	\$423
---------------	-------------------------------------------------------------------------	-------	-------	-------



3-3234TR	3/4" Thermostatic Trim Plate with Handle MUST ORDER VALVE SEPARATELY.	\$775	\$1,044	\$1,298
-----------------	--------------------------------------------------------------------------	-------	---------	---------



3-3244TR 3/4" Thermostatic Trim Plate with Handle
MUST ORDER VALVE SEPARATELY. \$775 \$1,044 \$1,298



1-540 3/4" Thermostatic Rough-in Valve
Flow rate of 18 gallons per minute at 60 PSI.
Factory calibrated comfort setting at 100-deg F,
built-in check valves with service stops.
IAPMO Listed. Meets ASSE Standard 1016.
\$794 — —
MUST USE WITH SEPARATE STOP/VOLUME CONTROL



2-260 3/4" Valve trim extension kit
Extends 1-3/8". Please specify finish. \$190 \$259 \$311



3-644 Diverter/Flow Control Trim
Use with stop or diverter valves, see page 355. \$241 \$338 \$421



3-645 Diverter/Flow Control Trim
Use with stop or diverter valves, see page 355. \$241 \$338 \$421



1-606U 1/2" inlet/outlet universal stop valve.
(clockwise off, for cross or lever handle) \$195 — —

1-607U 3/4" inlet/outlet universal stop valve.
(clockwise off, for cross or lever handle) \$265 — —



1-617 1/2" In-wall 2 & 3 way diverter valve
1 inlet, 3 outlets.** \$279 — —



1/2" in-wall diverter valves* with:
1-701 3 function with off. 1 inlet, 3 outlets.** \$334 — —
1-702 5 function with share and off. 1 inlet, 3 outlets. \$334 — —
1-703 3 function with pause. 1 inlet, 3 outlets.** \$334 — —

*SEE PAGES 312-315
FOR HOW TO USE
THESE DIVERTERS.

**Cal Green compliant

PARDEES - 3230, 3240



*SEE PAGES 312-315 FOR HOW TO USE THESE DIVERTERS.

1/2" in-wall diverter valves* with:

1-704	2 function with off. 1 inlet, 2 outlets. **	\$334	—	—
1-705	3 function with share and off. 1 inlet, 2 outlets.	\$334	—	—
1-706	2 function with pause. 1 inlet, 2 outlets. **	\$334	—	—
1-707	3 function with share (no off). 1 inlet, 2 outlets.	\$334	—	—



3230-1230	18" Towel Bar	\$298	\$357	\$447
3230-1250	24" Towel Bar	\$331	\$400	\$499



3230-1410	Towel Ring	\$227	\$273	\$340
------------------	------------	-------	-------	-------



3230-1650	Single Robe Hook	\$185	\$250	\$313
------------------	------------------	-------	-------	-------



3230-1660	Double Robe Hook	\$210	\$276	\$337
------------------	------------------	-------	-------	-------



3230-1510	Hanging Toilet Tissue Holder	\$225	\$271	\$305
------------------	------------------------------	-------	-------	-------



3230-1530	Double Post Toilet Tissue Holder	\$309	\$374	\$436
------------------	----------------------------------	-------	-------	-------

HOW TO ORDER: **STEP 1:** Select Decorative Rings and Mounting Kit
STEP 2: Select Grab Bar Tube



STEP 1: 990-2400 Decorative Rings and Mounting Kit \$160 \$218 \$274



STEP 2:

5080	12" Grab Bar Tube	\$140	\$206	\$230
5081	16" Grab Bar Tube	\$166	\$233	\$293
5082	18" Grab Bar Tube	\$187	\$260	\$285
5083	24" Grab Bar Tube	\$224	\$301	\$347
5085	36" Grab Bar Tube	\$330	\$410	\$485



990-3942 42" Grab Bar \$599 \$781 \$944

Sold as complete unit



PARDEES - 3230, 3240

PAVANI

3100 | 3110



LAVATORY FAUCETS | TUB & SHOWER | ACCESSORIES | GRAB BARS



3100

Widespread Lavatory Faucet
1/2" valves. 8" centers.
Spout c-c 5.54".

\$1,052 \$1,421 \$1,631



3110

Widespread Lavatory Faucet
1/2" valves. 8" centers.
Spout c-c 5.74".

\$942 \$1,276 \$1,517

NEW



3103

Single Hole Lavatory Faucet
6.76" spout height at outlet.
5.5" spout reach (c-c).
10.08" overall height.
Includes pop-up assembly.

\$894 \$1,205 \$1,383



101

Cover Plate, Optional
6" x 2-1/2".

\$99 \$142 \$152



3-3101

Wall Mount Lavatory Faucet
Spout c-c 7.11". 8" centers.
Drain not included. See Brasstech
#330, 3301, 3302 or 3303.
MUST ORDER VALVE SEPARATELY.

\$739 \$905 \$1,038

1-532U

2-valve rough with 1/2" NPT inlets & outlet.

\$358 — —



3-3102BP

BP Tub & Shower Set
MUST ORDER VALVE SEPARATELY.

\$1,138 \$1,477 \$1,700



1-685

Newport Brass BP Valve with diverter, 4 port with
service stops, universal 1/2" NPT & direct sweat
connections.

\$384 — —

	5-3102BP	BP Tub & Shower Trim Less tub spout, showerhead, arm and flange. MUST ORDER VALVE SEPARATELY.	\$602	\$784	\$902
	1-685	Newport Brass BP Valve with diverter, 4 port with service stops, universal 1/2" NPT & direct sweat connections. See Shower & Drain Sections to complete shower.	\$384	—	—
	3-3104BP	BP Shower Set MUST ORDER VALVE SEPARATELY.	\$883	\$1,149	\$1,321
	1-684	Newport Brass BP Valve, 3 port with service stops, universal 1/2" NPT & direct sweat connections.	\$278	—	—
	4-3104BP	BP Shower Trim Less showerhead, arm and flange. MUST ORDER VALVE SEPARATELY.	\$513	\$668	\$768
	1-684	Newport Brass BP Valve, 3 port with service stops, universal 1/2" NPT & direct sweat connections. See Shower & Drain Sections to complete shower.	\$278	—	—
	3-419	Tub Spout 1/2" NPT inlet fitting. 9.15" spout overall length	\$246	\$334	\$381
	3-615	Tub Spout 1/2" NPT inlet fitting. 11.15" spout overall length.	\$303	\$412	\$470
	3-3105	Wall Mount Tub Faucet Spout c-c 8-1/4". MUST ORDER VALVES SEPARATELY.	\$712	\$925	\$1,064
	1-500U	2-valve rough with 1/2" NPT inlets & outlet.	\$358	—	—
	3-3106	Roman Tub Faucet Spout c-c 7.92". MUST ORDER VALVES SEPARATELY.	\$1,010	\$1,315	\$1,509
	1-697	3/4" valve for above. Includes quick connect.	\$438	—	—
	3-3107	Roman Tub Faucet with Handshower Spout c-c 7.92". MUST ORDER VALVES SEPARATELY.	\$1,344	\$1,745	\$2,009
	1-698	3/4" valve for above. Includes hose & quick connect.	\$883	—	—

PAVANI - 3100



3109 Bidet Set
1/2" valves. Includes bottom spray with vacuum breaker, 4 hole mount bidet.

\$1,437 \$1,867 \$2,147



3-3103TR 1/2" Thermostatic Trim Plate with Handles
Integrated diverter handle with independent temperature control.

\$649 \$868 \$996

MUST ORDER VALVE SEPARATELY.



1-741

1-741 1/2" Thermostatic Rough-in Valve 1-Port
1-742 1/2" Thermostatic Rough-in Valve 2-Port**
1-743 1/2" Thermostatic Rough-in Valve 3-Port - Shared
1-744 1/2" Thermostatic Rough-in Valve 3-Port**
1-745 1/2" Thermostatic Rough-in Valve 2-Port - Shared

\$524 — —
\$627 — —
\$686 — —
\$686 — —
\$627 — —

See page 348 for more details.



20-146 1/2" Valve Trim Extension Kit
Extends 1-3/8". Please specify finish.

\$273 \$368 \$423



3-994LTR 3/4" Thermostatic Trim Plate with Handle
MUST ORDER VALVES SEPARATELY.

\$480 \$624 \$719



1-540 3/4" Thermostatic Rough-in Valve
Flow rate of 18 gallons per minute at 60 PSI.
Factory calibrated comfort setting at 100-deg F,
built-in check valves with service stops.
IAPMO Listed. Meets ASSE Standard 1016.

\$794 — —

MUST USE WITH SEPARATE STOP/VOLUME CONTROL



2-260 3/4" Valve trim extension kit
Extends 1-3/8". Please specify finish.

\$190 \$259 \$311



3-549 Diverter/Flow Control Trim
Use with stop or diverter valves, see page 355.

\$238 \$324 \$368



- 1-606U** 1/2" inlet/outlet universal stop valve. (clockwise off, for cross or lever handle)
- 1-607U** 3/4" inlet/outlet universal stop valve. (clockwise off, for cross or lever handle)

\$195	—	—
\$265	—	—



- 1-617** 1/2" In-wall 2 & 3 way diverter valve
1 inlet, 3 outlets.**

\$279	—	—
-------	---	---

1/2" in-wall diverter valves* with:



*SEE PAGES 312-315 FOR HOW TO USE THESE DIVERTERS.

- 1-701** 3 function with off. 1 inlet, 3 outlets.**
- 1-702** 5 function with share and off. 1 inlet, 3 outlets.
- 1-703** 3 function with pause. 1 inlet, 3 outlets.**
- 1-704** 2 function with off. 1 inlet, 2 outlets.**
- 1-705** 3 function with share and off. 1 inlet, 2 outlets.
- 1-706** 2 function with pause. 1 inlet, 2 outlets.**
- 1-707** 3 function with share (no off). 1 inlet, 2 outlets.

\$334	—	—
\$334	—	—
\$334	—	—
\$334	—	—
\$334	—	—
\$334	—	—
\$334	—	—



- 36-01** 18" Towel Bar
- 36-02** 24" Towel Bar

\$221	\$265	\$314
\$261	\$312	\$373



- 36-09** Towel Ring

\$308	\$369	\$440
-------	-------	-------



- 36-12** Single Robe Hook

\$84	\$104	\$129
------	-------	-------



- 36-13** Double Robe Hook

\$156	\$181	\$223
-------	-------	-------

PAVANI - 3100



36-27 Open Toilet Tissue Holder

\$214 \$252 \$300



36-28 Double Post Toilet Tissue Holder
Pivoting Arm

\$248 \$311 \$353

HOW TO ORDER: **STEP 1:** Select Decorative Rings and Mounting Kit
STEP 2: Select Grab Bar Tube



STEP 1: 2480-2400 Decorative Rings and Mounting Kit

\$206 \$230 \$282

STEP 2:
 5080SQ 12" Grab Bar Tube
 5081SQ 16" Grab Bar Tube
 5082SQ 18" Grab Bar Tube
 5083SQ 24" Grab Bar Tube
 5085SQ 36" Grab Bar Tube

\$181 \$215 \$250
 \$221 \$297 \$350
 \$244 \$299 \$365
 \$283 \$340 \$402
 \$369 \$462 \$533



2480-3942 42" Grab Bar

\$691 \$933 \$1,074

Sold as complete unit






Available Finishes:		PC	MB PN, SN
4622-24	24" Double Towel Bar	\$389	\$469



Available Finishes:		PC	MB PN, SN
4607	Spare Toilet Tissue Holder	\$199	\$237



Available Finishes:		PC	MB PN, SN
4609	Double Open Toilet Tissue Holder	\$223	\$281



Available Finishes:		PC	MB PN, SN
4627	Double Toilet Tissue Holder with Cover	\$327	\$409



Available Finishes:		PC	MB PN, SN
4610T	Triple Pivoting Robe Hook	\$221	\$254



Available Finishes:		PC	MB PN, SN
4619T-12	12" Shelf with Towel Bar	\$408	\$511



Available Finishes:		PC	MB PN, SN
4619T-24	24" Shelf with Towel Bar	\$439	\$527



Available Finishes:		PC	MB PN, SN
4634T	24" Shelf	\$300	\$363




IMPORTANT: Order (1) Mounting Kit plus (1) Frame to make a complete unit.

Available Finishes:		PC	MB PN, SN
464B	Hotel Shelf Mounting Kit	\$128	\$155
XX43-20	20" Hotel Shelf Frame with Towel Bar	\$306	\$366
XX43-24	24" Hotel Shelf Frame with Towel Bar	\$326	\$387



IMPORTANT: Order (1) Mounting Kit plus (1) Frame to make a complete unit.


Available Finishes:		PC	MB PN, SN
464B	Hotel Shelf Mounting Kit	\$128	\$155
XX43S-20	20" Hotel Shelf Frame w/Towel Bar, Squared Corners	\$384	\$463
XX43S-24	24" Hotel Shelf Frame w/Towel Bar, Squared Corners	\$415	\$497



Available Finishes:		PC	MB PN, SN
4681	Single Light 3.6" ϕ Rosette	\$466	\$561
4681L	Single Light 4.6" ϕ Rosette	\$483	\$580



Available Finishes:		PC	MB PN, SN
4682	Double Light, 3.6" ϕ Rosette	\$532	\$638
4682L	Double Light, 4.6" ϕ Rosette	\$549	\$662



Available Finishes:		NO FINISH
4641N	16"x34" Overall Frameless Mirror	\$412



PRIYA

2480



LAVATORY FAUCETS | TUB & SHOWER | ACCESSORIES | GRAB BARS



2480 Widespread Lavatory Faucet
1/2" valves. 8" centers.
Spout c-c 5.54".

\$949 \$1,219 \$1,398



2403 Single Hole Lavatory Faucet
5.50" (14.0cm) spout reach c-c.
6.66" (16.9cm) spout height from
outlet Includes pop-up assembly.

\$844 \$1,143 \$1,315

101 Cover Plate, Optional
6" x 2.5".

\$99 \$142 \$152



2413 Single Hole Vessel Faucet
6.25" (15.9cm) spout reach (c-c). 10.66"
(27.1cm) spout height from base. 13.99" overall
height. Drain not included, see Brasstech
330, 3301, 3302 or 3303.
For bar sink drains see Brasstech # 130 or 131.

\$923 \$1,244 \$1,429

101 Cover Plate, Optional
6" x 2.5".

\$99 \$142 \$152



3-2481 Wall Mount Lavatory Faucet
Spout c-c 7.11". 8" centers.
Drain not included. See Brasstech
#330, 3301, 3302 or 3303.
MUST ORDER VALVES SEPARATELY.

\$692 \$932 \$1,069

1-532U 2-valve rough with 1/2" NPT inlets & outlet.

\$358 — —



5-2492BP BP Tub & Shower Trim
Less tub spout, showerhead, arm and flange.
MUST ORDER VALVE SEPARATELY.

\$593 \$770 \$887

1-685 Newport Brass BP Valve with diverter, 4 port with
service stops, universal 1/2" NPT & direct sweat
connections.
See Shower & Drain Sections to complete shower.

\$384 — —



3-2494BP BP Shower Set
MUST ORDER VALVE SEPARATELY.

\$961 \$1,263 \$1,485

1-684 Newport Brass BP Valve, 3 port with service stops,
universal 1/2" NPT & direct sweat connections.

\$278 — —

	4-2494BP	BP Shower Trim Less showerhead, arm and flange. MUST ORDER VALVE SEPARATELY.	\$500	\$675	\$775	
	1-684	Newport Brass BP Valve, 3 port with service stops, universal 1/2" NPT & direct sweat connections. See Shower & Drain Sections to complete shower.	\$278	—	—	
	3-419	Tub Spout 1/2" NPT inlet fitting. 9.15" spout overall length	\$246	\$334	\$381	
	3-615	Tub Spout 1/2" NPT inlet fitting. 11.15" spout overall length.	\$303	\$412	\$470	
	3-2485	Wall Mount Tub Faucet Spout c-c 8.25". MUST ORDER VALVES SEPARATELY.	\$692	\$932	\$1,069	
	1-500U	2-valve rough with 1/2" NPT inlets & outlet.	\$358	—	—	
	3-2486	Roman Tub Faucet Spout c-c 7.92". MUST ORDER VALVES SEPARATELY.	\$1,002	\$1,347	\$1,546	
	1-697	3/4" valve for above. Quick connect included.	\$438	—	—	
	3-2487	Roman Tub Faucet with Handshower Spout c-c 7.92". MUST ORDER VALVES SEPARATELY.	\$1,361	\$1,833	\$2,103	
	1-698	3/4" valve for above. Quick connect included.	\$883	—	—	
		2480-4261	Free Standing Tub Filler 38.03" (96.6cm) spout height at outlet (from floor). 8.66" (22.0cm) spout reach (c-c). 43" overall height. 9.25 gallons (35 liters) per minute maximum flow rate (spout). 1.8 gallons (6.8 liters) per minute maximum flow rate (hand shower).	\$2,276	\$2,883	\$3,738
		1-339	Optional Rough for Freestanding Tub Filler For subfloor and concrete floor installations. 4.53" overall height. 7.20" overall base diameter. Universal 3/4" NPT and 1/2" direct sweat connections. Test caps included.	\$323	—	—

SEE PAGE 322

PRIYA - 2480



2489 Bidet Set
1/2" valves. Includes bottom spray with vacuum breaker, 4 hole mount bidet.

\$1,434 \$1,936 \$2,224



280R Hand Shower Set
Includes:
No. 283-101 Single Function Handshower Round
No. 284 Braided Hose
No. 3-672 Supply Elbow & Holder

\$588 \$767 \$917



3-2023TR 1/2" Thermostatic Trim Plate with Handles
Integrated diverter handle with independent temperature control.
MUST ORDER VALVE SEPARATELY.

\$628 \$834 \$960



1-741

1-741 1/2" Thermostatic Rough-in Valve 1-Port \$524 — —
1-742 1/2" Thermostatic Rough-in Valve 2-Port** \$627 — —
1-743 1/2" Thermostatic Rough-in Valve 3-Port - Shared \$686 — —
1-744 1/2" Thermostatic Rough-in Valve 3-Port** \$686 — —
1-745 1/2" Thermostatic Rough-in Valve 2-Port - Shared \$627 — —
 See page 348 for more details.



20-146 1/2" Valve Trim Extension Kit
Extends 1-3/8". Please specify finish.

\$273 \$368 \$423



3-2484TR 3/4" Thermostatic Trim Plate with Handle
MUST ORDER VALVE SEPARATELY.

\$769 \$1,035 \$1,188



1-540 3/4" Thermostatic Rough-in Valve
Flow rate of 18 gallons per minute at 60 PSI.
Factory calibrated comfort setting at 100-deg F,
built-in check valves with service stops.
IAPMO Listed. Meets ASSE Standard 1016.
MUST USE WITH SEPARATE STOP/VOLUME CONTROL

\$794 — —



2-260 3/4" Valve trim extension kit
Extends 1-3/8". Please specify finish.

\$190 \$259 \$311



3-608 Diverter/Flow Control Trim \$228 \$308 \$356
Use with stop or diverter valves, see pages 355.



1-606U 1/2" inlet/outlet universal stop valve. (clockwise off, for cross or lever handle) \$195 — —
1-607U 3/4" inlet/outlet universal stop valve. (clockwise off, for cross or lever handle) \$265 — —



1-617 1/2" In-wall 2 & 3 way diverter valve \$279 — —
1 inlet, 3 outlets.**

1/2" in-wall diverter valves* with:



*SEE PAGES 312-315 FOR HOW TO USE THESE DIVERTERS.

1-701 3 function with off. 1 inlet, 3 outlets.** \$334 — —
1-702 5 function with share and off. 1 inlet, 3 outlets. \$334 — —
1-703 3 function with pause. 1 inlet, 3 outlets.** \$334 — —
1-704 2 function with off. 1 inlet, 2 outlets.** \$334 — —
1-705 3 function with share and off. 1 inlet, 2 outlets. \$334 — —
1-706 2 function with pause. 1 inlet, 2 outlets.** \$334 — —
1-707 3 function with share (no off). 1 inlet, 2 outlets. \$334 — —



36-01 18" Towel Bar \$221 \$265 \$314
36-02 24" Towel Bar \$261 \$312 \$373



36-09 Towel Ring \$308 \$369 \$440



36-12 Single Robe Hook \$84 \$104 \$129

PRIYA - 2480



36-13 Double Robe Hook \$156 \$181 \$223



36-27 Open Toilet Tissue Holder \$214 \$252 \$300



36-28 Double Post Toilet Tissue Holder Pivoting Arm \$248 \$311 \$353

HOW TO ORDER: **STEP 1:** Select Decorative Rings and Mounting Kit
STEP 2: Select Grab Bar Tube



STEP 1: **2480-2400** Decorative Rings and Mounting Kit \$206 \$230 \$282

STEP 2:

5080SQ	12" Grab Bar Tube	\$181	\$215	\$250
5081SQ	16" Grab Bar Tube	\$221	\$297	\$350
5082SQ	18" Grab Bar Tube	\$244	\$299	\$365
5083SQ	24" Grab Bar Tube	\$283	\$340	\$402
5085SQ	36" Grab Bar Tube	\$369	\$462	\$533



2480-3942 42" Grab Bar \$691 \$933 \$1,074

Sold as complete unit





Available Finishes:		PC	MB PN, SN
4622-24	24" Double Towel Bar	\$389	\$469



Available Finishes:		PC	MB PN, SN
4607	Spare Toilet Tissue Holder	\$199	\$237



Available Finishes:		PC	MB PN, SN
4609	Double Open Toilet Tissue Holder	\$223	\$281



Available Finishes:		PC	MB PN, SN
4627	Double Toilet Tissue Holder with Cover	\$327	\$409



Available Finishes:		PC	MB PN, SN
4610T	Triple Pivoting Robe Hook	\$221	\$254




Available Finishes:		PC	MB PN, SN
4619T-12	12" Shelf with Towel Bar	\$408	\$511



Available Finishes:		PC	MB PN, SN
4619T-24	24" Shelf with Towel Bar	\$439	\$527



Available Finishes:		PC	MB PN, SN
4634T	24" Shelf	\$300	\$363




IMPORTANT: Order (1) Mounting Kit plus (1) Frame to make a complete unit.

Available Finishes:		PC	MB PN, SN
464B	Hotel Shelf Mounting Kit	\$128	\$155
XX43-20	20" Hotel Shelf Frame with Towel Bar	\$306	\$366
XX43-24	24" Hotel Shelf Frame with Towel Bar	\$326	\$387




IMPORTANT: Order (1) Mounting Kit plus (1) Frame to make a complete unit.


Available Finishes:		PC	MB PN, SN
464B	Hotel Shelf Mounting Kit	\$128	\$155
XX43S-20	20" Hotel Shelf Frame w/Towel Bar, Squared Corners	\$384	\$463
XX43S-24	24" Hotel Shelf Frame w/Towel Bar, Squared Corners	\$415	\$497



Available Finishes:		PC	MB PN, SN
4681	Single Light 3.6" ϕ Rosette	\$466	\$561
4681L	Single Light 4.6" ϕ Rosette	\$483	\$580



Available Finishes:		PC	MB PN, SN
4682	Double Light, 3.6" ϕ Rosette	\$532	\$638
4682L	Double Light, 4.6" ϕ Rosette	\$549	\$662



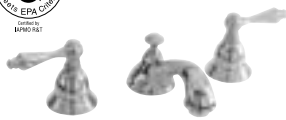
Available Finishes:		NO FINISH
4641N	16"x34" Overall Frameless Mirror	\$412

SEAPORT

850



LAVATORY FAUCETS | TUB & SHOWER | TANK LEVER | ACCESSORIES | GRAB BARS



850

Widespread Lavatory Faucet
1/2" valves. Spout c-c 4.75".
8" centers.

\$878 \$1,232 \$1,474



850C

Widespread Lavatory Faucet
1/2" valves. Spout c-c 6.12".
8" centers.

\$878 \$1,232 \$1,474



5-852BP

BP Tub & Shower Trim
Less tub spout, showerhead, arm and flange.
MUST ORDER VALVE SEPARATELY.

\$410 \$532 \$613

1-685

Newport Brass BP Valve with diverter, 4 port with
service stops, universal 1/2" NPT & direct sweat
connections.

\$384 — —

See Shower & Drain Sections to complete shower.



4-854BP

BP Shower Trim
Less showerhead, arm and flange.
MUST ORDER VALVE SEPARATELY.

\$318 \$413 \$480

1-684

Newport Brass BP Valve, 3 port with service stops,
universal 1/2" NPT & direct sweat connections.

\$278 — —

See Shower & Drain Sections to complete shower.



2201

Tub Spout
1/2" NPT inlet fitting.
6.71" spout overall length.

\$217 \$301 \$358



3-855

Wall Mount Tub Faucet
MUST ORDER VALVES SEPARATELY.

\$761 \$990 \$1,142



1-500U

2-valve rough with 1/2" NPT inlets & outlet.

\$358 — —



3-856C Roman Tub Faucet
Spout c-c 9.44".
MUST ORDER VALVES SEPARATELY.

\$960 \$1,279 \$1,440

1-506 3/4" valve for above, quick connect included. \$438 — —



3-857C Roman Tub Faucet with Handshower Set
Spout c-c 9.44".
MUST ORDER VALVES SEPARATELY.

\$1,319 \$1,718 \$1,975

1-507 3/4" valve for above.
Includes hose and quick connect. \$883 — —



3-196 Floor Mount Kit for Exposed Tub Sets
Set includes: 2 each Floor Flanges
2 each 3/4" Risers - 31" high.
Stabilizer kit sold separately.

\$637 \$888 \$1,066

3-226 Same as above only 24" high. \$612 \$855 \$1,029

3-192 3/4" Shut-off Valves for above (1 pair hot & cold). \$896 \$1,065 \$1,278



1-378 Optional Rough For Exposed Tub Filler
For subfloor or concrete floor installations.
3.65" overall height.
10.38" x 5" overall base size.
Universal 1/2" NPT connections. Test caps included.
For use with 3-196 or 3-226 tub risers.

\$440 — —



2-734 Stabilizer Kit for Exposed Tub Floor Riser Kits
Adjustable for risers that are 6" to 9" apart.
Includes 1-1/2" finished ring for connecting kit to
tub overflow pipe. Finished plate for wall mounting
up to 10" center of riser pipes.

\$314 \$406 \$435

Wall Mount Plate



3-803TR 1/2" Thermostatic Trim Plate with Handles
Integrated diverter handle with independent
temperature control.
MUST ORDER VALVE SEPARATELY.

\$587 \$789 \$905



1-741

1-741 1/2" Thermostatic Rough-in Valve 1-Port \$524 — —
1-742 1/2" Thermostatic Rough-in Valve 2-Port** \$627 — —
1-743 1/2" Thermostatic Rough-in Valve 3-Port - Shared \$686 — —
1-744 1/2" Thermostatic Rough-in Valve 3-Port** \$686 — —
1-745 1/2" Thermostatic Rough-in Valve 2-Port - Shared \$627 — —

See page 348 for more details.



20-146 1/2" Valve Trim Extension Kit
Extends 1-3/8". Please specify finish.

\$273 \$368 \$423

SEAPORT - 850

**Cal Green compliant



3-804TR 3/4" Thermostatic Trim Plate with Handle
MUST ORDER VALVE SEPARATELY. \$480 \$624 \$719



1-540 3/4" Thermostatic Rough-in Valve
Flow rate of 18 gallons per minute at 60 PSI.
Factory calibrated comfort setting at 100-deg F,
built-in check valves with service stops.
IAPMO Listed. Meets ASSE Standard 1016.
MUST USE WITH SEPARATE STOP/VOLUME CONTROL \$794 — —



2-260 3/4" Valve trim extension kit
Extends 1-3/8". Please specify finish. \$190 \$259 \$311



3-202 Diverter/Flow Control Trim
Use with stop or diverter valves, see page 355. \$216 \$303 \$363



1-606U 1/2" inlet/outlet universal stop valve.
(clockwise off, for cross or lever handle) \$195 — —

1-607U 3/4" inlet/outlet universal stop valve.
(clockwise off, for cross or lever handle) \$265 — —



1-617 1/2" In-wall 2 & 3 way diverter valve
1 inlet, 3 outlets.** \$279 — —

1/2" in-wall diverter valves* with:



1-701 3 function with off. 1 inlet, 3 outlets.** \$334 — —

1-702 5 function with share and off. 1 inlet, 3 outlets. \$334 — —

1-703 3 function with pause. 1 inlet, 3 outlets.** \$334 — —

1-704 2 function with off. 1 inlet, 2 outlets.** \$334 — —

1-705 3 function with share and off. 1 inlet, 2 outlets. \$334 — —

1-706 2 function with pause. 1 inlet, 2 outlets.** \$334 — —

1-707 3 function with share (no off). 1 inlet, 2 outlets. \$334 — —

*SEE PAGES 312-315
FOR HOW TO USE
THESE DIVERTERS.



2-116 Tank Lever for Seaport Series

\$80 \$109 \$187

6-505 Tank Lever Mechanism

\$115 \$139 \$155



890-1230 18" Towel Bar

\$208 \$253 \$304

890-1250 24" Towel Bar

\$227 \$269 \$324



890-1400 Towel Ring - Open

\$192 \$230 \$277



890-1410 Towel Ring

\$154 \$185 \$222



890-1650 Single Robe Hook

\$68 \$83 \$99



890-1660 Double Robe Hook

\$138 \$166 \$199



890-1510 Hanging Toilet Tissue Holder

\$192 \$230 \$277



890-1500 Double Post Toilet Tissue Holder

\$204 \$248 \$297

HOW TO ORDER: STEP 1: Select Decorative Rings and Mounting Kit
 STEP 2: Select Grab Bar Tube



STEP 1: 920-2400 Decorative Rings and Mounting Kit \$160 \$218 \$274

STEP 2: 5080 12" Grab Bar Tube \$140 \$206 \$230
 5081 16" Grab Bar Tube \$166 \$233 \$293
 5082 18" Grab Bar Tube \$187 \$260 \$285
 5083 24" Grab Bar Tube \$224 \$301 \$347
 5085 36" Grab Bar Tube \$330 \$410 \$485



920-3942 42" Grab Bar \$599 \$781 \$944

Sold as complete unit





Available Finishes:		PC	PN	SN
1101	12" Towel Bar	\$197	\$233	
G1104	32" Towel Bar	\$260	\$312	



Available Finishes:		PC	PN	SN
1122-18	18" Double Towel Bar	\$419	\$501	
1122-24	24" Double Towel Bar	\$451	\$541	
1122-32	32" Double Towel Bar	\$454	NA	



Available Finishes:		PC	PN	SN
1107	Spare Toilet Tissue Holder	\$183	\$221	



Available Finishes:		PC	PN	SN
1108D	Double Post Tissue Holder	\$348	\$420	



Available Finishes:		PC	PN	SN
1127	Hooded Toilet Tissue Holder	\$219	\$262	



Available Finishes:		PC	PN	SN
1118T-18	18" Shelf	\$322	\$385	



Available Finishes:		PC	PN	SN
1135T-18	18" Gallery Shelf	\$441	\$528	
1135T-24	24" Gallery Shelf	\$498	NA	



IMPORTANT: Order (1) Mounting Kit plus (1) Frame to make a complete unit.

Available Finishes:		PC	PN	SN
114B	Hotel Shelf Mounting Kit	\$137	\$164	
XX43-20	20" Hotel Shelf Frame with Towel Bar	\$306	\$366	
XX43-24	24" Hotel Shelf Frame with Towel Bar	\$326	\$387	



IMPORTANT: Order (1) Mounting Kit plus (1) Frame to make a complete unit.


Available Finishes:		PC	PN	SN
114B	Hotel Shelf Mounting Kit	\$137	\$164	
XX43S-20	20" Hotel Shelf Frame with Towel Bar, Squared Corners	\$384	\$463	
XX43S-24	24" Hotel Shelf Frame with Towel Bar, Squared Corners	\$415	\$497	



Available Finishes:		PC	PN	SN
1181	Single Light with Nightlight Option, Satin Etched Glass	\$429	\$513	



Available Finishes:		PC	PN	SN
1182	Double Light Satin Etched Glass	\$655	\$765	



**Mirror tilts 4.5° with mechanism.

Available Finishes:		PC	PN	SN
1141	Framed Mirror 20.39" x 35" overall	\$748	\$859	
MTM-009	Tilting Mechanism Optional**	\$88	\$88	



SECANT

2040 | 2060



LAVATORY FAUCETS | TUB & SHOWER | ACCESSORIES | GRAB BARS



2040 Widespread Lavatory Faucet
Lever Handles. 1/2" valves.
Spout c-c 5.81". 8" centers. \$1,049 \$1,404 \$1,613



2060 Widespread Lavatory Faucet
Cross Handles. 1/2" valves.
Spout c-c 5.81". 8" centers. \$1,049 \$1,404 \$1,613



2043 Single Hole Lavatory Faucet
7.40" spout height at outlet.
6.38" spout reach (c-c).
11.50" overall height.
Includes pop-up assembly. \$1,092 \$1,473 \$1,691



2043-1 Single Hole Lavatory Faucet
6.84" spout height at outlet.
5.43" spout reach (c-c).
9.70" overall height.
Includes pop-up assembly. \$923 \$1,232 \$1,475



3-2041 Wall Mount Lavatory Faucet
Lever Handles. Spout c-c 9.40".
8" centers. Drain not included. See
Brasstech #330, 3301, 3302 or 3303.
MUST ORDER VALVES SEPARATELY. \$798 \$1,078 \$1,237

1-532U 2-valve rough with 1/2" NPT inlets & outlet. \$358 — —



3-2061 Wall Mount Lavatory Faucet
Cross Handles. Spout c-c 9.40".
8" centers. Drain not included. See
Brasstech #330, 3301, 3302 or 3303.
MUST ORDER VALVES SEPARATELY. \$798 \$1,078 \$1,237

1-532U 2-valve rough with 1/2" NPT inlets & outlet. \$358 — —

	5-2042BP	BP Tub & Shower Trim Less tub spout, showerhead, arm and flange. MUST ORDER VALVE SEPARATELY.	\$611	\$794	\$916
	1-685	Newport Brass BP Valve with diverter, 4 port with service stops, universal 1/2" NPT & direct sweat connections. See Shower & Drain Sections to complete shower.	\$384	—	—
	5-2062BP	BP Tub & Shower Trim Less tub spout, showerhead, arm and flange. MUST ORDER VALVE SEPARATELY.	\$611	\$794	\$916
	1-685	Newport Brass BP Valve with diverter, 4 port with service stops, universal 1/2" NPT & direct sweat connections. See Shower & Drain Sections to complete shower.	\$384	—	—
	3-2044BP	BP Shower Set MUST ORDER VALVE SEPARATELY.	\$1,002	\$1,295	\$1,499
	1-684	Newport Brass BP Valve, 3 port with service stops, universal 1/2" NPT & direct sweat connections.	\$278	—	—
	4-2044BP	BP Shower Trim Less showerhead, arm and flange. MUST ORDER VALVE SEPARATELY.	\$520	\$676	\$782
	1-684	Newport Brass BP Valve, 3 port with service stops, universal 1/2" NPT & direct sweat connections. See Shower & Drain Sections to complete shower.	\$278	—	—
	4-2064BP	BP Shower Trim Less showerhead, arm and flange. MUST ORDER VALVE SEPARATELY.	\$520	\$676	\$782
	1-684	Newport Brass BP Valve, 3 port with service stops, universal 1/2" NPT & direct sweat connections. See Shower & Drain Sections to complete shower.	\$278	—	—
	3-328	Tub Spout 1/2" NPT inlet fitting. 6.94" spout overall length.	\$246	\$334	\$381
	3-2045	Wall Mount Tub Faucet MUST ORDER VALVES SEPARATELY.	\$798	\$1,036	\$1,199
	1-500U	2-valve rough with 1/2" NPT inlets & outlet.	\$358	—	—
	3-2046	Roman Tub Faucet Spout c-c 8". MUST ORDER VALVES SEPARATELY.	\$1,079	\$1,404	\$1,620
	1-665	3/4" valve for above. Quick connect included.	\$438	—	—

SECANT - 2040, 2060



3-2047 Roman Tub Faucet with Handshower
MUST ORDER VALVES SEPARATELY. \$1,441 \$1,871 \$2,159

1-666 3/4" valve for above. Quick connect included. \$883 — —



SEE PAGE 322

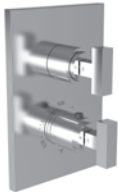


2040-4261 Free Standing Tub Filler \$2,276 \$2,883 \$3,738
37.99" (96.5cm) spout height at outlet (from floor).
8.66" (22.0cm) spout reach (c-c).
43" overall height.
9.25 gallons (35 liters) per minute maximum flow rate (spout).
1.8 gallons (6.8 liters) per minute maximum flow rate (hand shower).

1-339 Optional Rough for Freestanding Tub Filler \$323 — —
For subfloor and concrete floor installations.
4.53" overall height.
7.20" overall base diameter.
Universal 3/4" NPT and 1/2" direct sweat connections.
Test caps included.



2049 Bidet Set \$1,495 \$2,014 \$2,311
1/2" valves. Includes bottom spray with vacuum breaker, 4 hole mount bidet.



3-2023TS 1/2" Thermostatic Trim Plate with Handles \$649 \$868 \$996
Integrated diverter handle with independent temperature control.
MUST ORDER VALVE SEPARATELY.



3-2063TS 1/2" Thermostatic Trim Plate with Handle \$649 \$868 \$996
Integrated diverter handle with independent temperature control.
MUST ORDER VALVE SEPARATELY.



1-741

1-741 1/2" Thermostatic Rough-in Valve 1-Port \$524 — —
1-742 1/2" Thermostatic Rough-in Valve 2-Port** \$627 — —
1-743 1/2" Thermostatic Rough-in Valve 3-Port - Shared \$686 — —
1-744 1/2" Thermostatic Rough-in Valve 3-Port** \$686 — —
1-745 1/2" Thermostatic Rough-in Valve 2-Port - Shared \$627 — —

See page 348 for more details.



20-146 1/2" Valve Trim Extension Kit \$273 \$368 \$423
Extends 1-3/8". Please specify finish.

	3-2044TS	3/4" Thermostatic Trim Plate with Handle MUST ORDER VALVE SEPARATELY.	\$719	\$933	\$1,078
	3-2064TS	3/4" Thermostatic Trim Plate with Handle MUST ORDER VALVE SEPARATELY.	\$719	\$933	\$1,078
	1-540	3/4" Thermostatic Rough-in Valve Flow rate of 18 gallons per minute at 60 PSI. Factory calibrated comfort setting at 100-deg F, built-in check valves with service stops. IAPMO Listed. Meets ASSE Standard 1016. MUST USE WITH SEPARATE STOP/VOLUME CONTROL	\$794	—	—
	2-260	3/4" Valve trim extension kit Extends 1-3/8". Please specify finish.	\$190	\$259	\$311
	3-368	Diverter/Flow Control Trim Use with stop or diverter valves, see page 355.	\$237	\$311	\$358
	3-577	Diverter/Flow Control Trim Use with stop or diverter valves, see page 355.	\$237	\$311	\$358
	1-606U	1/2" inlet/outlet universal stop valve. (clockwise off, for cross or lever handle)	\$195	—	—
	1-607U	3/4" inlet/outlet universal stop valve. (clockwise off, for cross or lever handle)	\$265	—	—
	1-617	1/2" In-wall 2 & 3 way diverter valve 1 inlet, 3 outlets.**	\$279	—	—

1/2" in-wall diverter valves* with:



*SEE PAGES 312-315 FOR HOW TO USE THESE DIVERTERS.

1-701	3 function with off. 1 inlet, 3 outlets.**	\$334	—	—
1-702	5 function with share and off. 1 inlet, 3 outlets.	\$334	—	—
1-703	3 function with pause. 1 inlet, 3 outlets.**	\$334	—	—
1-704	2 function with off. 1 inlet, 2 outlets.**	\$334	—	—
1-705	3 function with share and off. 1 inlet, 2 outlets.	\$334	—	—
1-706	2 function with pause. 1 inlet, 2 outlets.**	\$334	—	—
1-707	3 function with share (no off). 1 inlet, 2 outlets.	\$334	—	—



37-02	24" Towel Bar	\$286	\$339	\$466
-------	---------------	-------	-------	-------



37-09	8" Towel Ring	\$258	\$306	\$401
-------	---------------	-------	-------	-------



37-12	Single Robe Hook	\$109	\$141	\$169
-------	------------------	-------	-------	-------



37-28	Double Post Toilet Tissue Holder Pivoting Arm	\$262	\$316	\$390
-------	--------------------------------------------------	-------	-------	-------

HOW TO ORDER: STEP 1: Select Decorative Rings and Mounting Kit
STEP 2: Select Grab Bar Tube



STEP 1:	2040-2400 Decorative Rings and Mounting Kit	\$220	\$230	\$282
---------	---------------------------------------------	-------	-------	-------



STEP 2:	5080SQ	12" Grab Bar Tube	\$181	\$215	\$250
	5081SQ	16" Grab Bar Tube	\$221	\$297	\$350
	5082SQ	18" Grab Bar Tube	\$244	\$299	\$365
	5083SQ	24" Grab Bar Tube	\$283	\$340	\$402
	5085SQ	36" Grab Bar Tube	\$369	\$462	\$533



**Cal Green compliant



2040-3942 42" Grab Bar

\$691 \$933 \$1,074

Sold as complete unit





Available Finishes:		PC	PN
		SN	SN
4702	18" Towel Bar	\$250	\$299



Available Finishes:		PC	PN
		SN	SN
4722-24	24" Double Towel Bar	\$439	\$519



Available Finishes:		PC	PN
		SN	SN
4734T-24	24" Shelf	\$303	\$364



**Mirror tilts 4.5° with mechanism.

Available Finishes:		PC	PN
		SN	SN
4741	Framed Mirror 20.4" x 34" Overall	\$810	\$966
MTM-009	Tilting Mechanism Optional**	\$88	\$88



Available Finishes:		PC	PN
		SN	SN
4781	Single Light Satin Etched, Cased Opal Glass	\$459	\$529



SKYLAR

2560 | 2990



LAVATORY FAUCETS | TUB & SHOWER | ACCESSORIES | GRAB BARS

 	2560	Widespread Lavatory Faucet Lever Handles. 1/2" valves. Spout c-c 5.47". 8" centers.	\$1,099	\$1,422	\$1,632
 	2990	Widespread Lavatory Faucet Cross Handles. 1/2" valves. Spout c-c 5.47". 8" centers.	\$1,099	\$1,422	\$1,632
  	2560C	Widespread Lavatory Faucet Lever Handles. 1/2" valves. Spout c-c 5.49". 8" centers.	\$1,185	\$1,587	\$1,893
  	2990C	Widespread Lavatory Faucet Cross Handles. 1/2" valves. Spout c-c 5.49". 8" centers.	\$1,185	\$1,587	\$1,893
 	2563	Single Hole Lavatory Faucet 5.15" spout height at outlet . 4.94" spout reach (c-c). 8.70" overall height. Includes pop-up assembly.	\$953	\$1,288	\$1,477
 	101	Cover Plate, Optional 6" x 2.5".	\$99	\$142	\$152
 	3-2561	Wall Mount Lavatory Faucet Lever Handles. Spout c-c 8.32". 8" centers. Drain not included. See Brasstech #330, 3301, 3302 or 3303. MUST ORDER VALVES SEPARATELY.	\$922	\$1,243	\$1,427
	1-532U	2-valve rough with 1/2" NPT inlets & outlet.	\$358	—	—

SKYLAR - 2560, 2990



3-2991 Wall Mount Lavatory Faucet
Cross Handles. Spout c-c 8.32".
8" centers. Drain not included. See
Brasstech #330, 3301, 3302 or 3303.
MUST ORDER VALVES SEPARATELY.

\$922 \$1,243 \$1,427

1-532U 2-valve rough with 1/2" NPT inlets & outlet. \$358 — —



5-2042BP BP Tub & Shower Trim
Less tub spout, showerhead, arm and flange.
MUST ORDER VALVE SEPARATELY.

\$611 \$794 \$916

1-685 Newport Brass BP Valve with diverter, 4 port with
service stops, universal 1/2" NPT & direct sweat
connections. \$384 — —

See Shower & Drain Sections to complete shower.



5-2062BP BP Tub & Shower Trim
Less tub spout, showerhead, arm and flange.
MUST ORDER VALVE SEPARATELY.

\$611 \$794 \$916

1-685 Newport Brass BP Valve with diverter, 4 port with
service stops, universal 1/2" NPT & direct sweat
connections. \$384 — —

See Shower & Drain Sections to complete shower.



3-2564BP BP Shower Set
MUST ORDER VALVE SEPARATELY.

\$1,244 \$1,683 \$1,934

1-684 Newport Brass BP Valve, 3 port with service stops,
universal 1/2" NPT & direct sweat connections \$278 — —



4-2044BP BP Shower Trim
Less showerhead, arm and flange.
MUST ORDER VALVE SEPARATELY.

\$520 \$676 \$782

1-684 Newport Brass BP Valve, 3 port with service stops,
universal 1/2" NPT & direct sweat connections \$278 — —

See Shower & Drain Sections to complete shower.



4-2064BP BP Shower Trim
Less showerhead, arm and flange.
MUST ORDER VALVE SEPARATELY.

\$520 \$676 \$782

1-684 Newport Brass BP Valve, 3 port with service stops,
universal 1/2" NPT & direct sweat connections. \$278 — —

See Shower & Drain Sections to complete shower.



8-030 Tub Spout
3/4" NPT inlet fitting.
9.44" spout overall length. \$393 \$482 \$527



3-2565 Wall Mount Tub Faucet. Lever Handles
MUST ORDER VALVES SEPARATELY. \$922 \$1,241 \$1,427

1-500U 2-valve rough with 1/2" NPT inlets & outlet. \$358 — —



3-2566 Roman Tub Faucet. Lever Handles
Spout c-c 8.35". Finished deck thickness
should be less than or equal to 15/16".
MUST ORDER VALVES SEPARATELY.

\$1,305 \$1,914 \$2,264

1-665 3/4" valve for above.
Quick connect included.

\$438 — —



3-2567 Roman Tub Faucet with Handshower
Spout c-c 8.35". Finished deck thickness
should be less than or equal to 15/16".
Set includes: 1 ea. No. 283-4 Handshower, No.
284 59" Hose, No. 6-289-4 Deck Flange Kit.
MUST ORDER VALVES SEPARATELY.

\$1,936 \$2,923 \$3,485

1-666 3/4" valve for above.
Includes hose and quick connect.

\$883 — —



2560-4261 Free Standing Tub Filler
38.02" (96.6cm) spout height at outlet (from floor).
7.86" (19.9cm) spout reach (c-c).
39.49" overall height.
9.25 gallons (35 liters) per minute maximum flow rate (spout).
1.8 gallons (6.8 liters) per minute maximum flow rate (hand shower).

\$2,276 \$2,883 \$3,738

SEE PAGE 323



1-339 Optional Rough for Freestanding Tub Filler
For subfloor and concrete floor installations.
4.53" overall height.
7.20" overall base diameter.
Universal 3/4" NPT and 1/2" direct sweat connections.
Test caps included.

\$323 — —



2049 Bidet Set
Lever Handles. 1/2" valves.
Includes bottom spray with
vacuum breaker, 4 hole mount bidet.

\$1,495 \$2,014 \$2,311



3-2023TS 1/2" Thermostatic Trim Plate with Handles
Integrated diverter handle with independent
temperature control.
MUST ORDER VALVE SEPARATELY.

\$649 \$868 \$996



3-2063TS 1/2" Thermostatic Trim Plate with Handles
Integrated diverter handle with independent
temperature control.
MUST ORDER VALVE SEPARATELY.

\$649 \$868 \$996



1-741

1-741 1/2" Thermostatic Rough-in Valve 1-Port \$524 — —
1-742 1/2" Thermostatic Rough-in Valve 2-Port** \$627 — —
1-743 1/2" Thermostatic Rough-in Valve 3-Port - Shared \$686 — —
1-744 1/2" Thermostatic Rough-in Valve 3-Port** \$686 — —
1-745 1/2" Thermostatic Rough-in Valve 2-Port - Shared \$627 — —
See page 348 for more details.

**Cal Green compliant

SKYLAR - 2560, 2990



20-146 1/2" Valve Trim Extension Kit
Extends 1-3/8". Please specify finish.

\$273 \$368 \$423



3-2044TS 3/4" Thermostatic Trim Plate with Handle
MUST ORDER VALVE SEPARATELY.

\$719 \$933 \$1,078



3-2064TS 3/4" Thermostatic Trim Plate with Handle
MUST ORDER VALVE SEPARATELY.

\$719 \$933 \$1,078



1-540 3/4" Thermostatic Rough-in Valve
Flow rate of 18 gallons per minute at 60 PSI.
Factory calibrated comfort setting at 100-deg F,
built-in check valves with service stops.
IAPMO Listed. Meets ASSE Standard 1016.

\$794 — —

MUST USE WITH SEPARATE STOP/VOLUME CONTROL



2-260 3/4" Valve trim extension kit
Extends 1-3/8". Please specify finish.

\$190 \$259 \$311



3-368 Diverter/Flow Control Trim
Use with stop or diverter valves, see page 355.

\$237 \$311 \$358



3-577 Diverter/Flow Control Trim
Use with stop or diverter valves, see page 355.

\$237 \$311 \$358



1-606U 1/2" inlet/outlet universal stop valve.
(clockwise off, for cross or lever handle)

\$195 — —

1-607U 3/4" inlet/outlet universal stop valve.
(clockwise off, for cross or lever handle)

\$265 — —



1-617 1/2" In-wall 2 & 3 way diverter valve
1 inlet, 3 outlets.**

\$279 — —

1/2" in-wall diverter valves* with:



*SEE PAGES 312-315
FOR HOW TO USE
THESE DIVERTERS.

1-701	3 function with off. 1 inlet, 3 outlets.**	\$334	—	—
1-702	5 function with share and off. 1 inlet, 3 outlets.	\$334	—	—
1-703	3 function with pause. 1 inlet, 3 outlets.**	\$334	—	—
1-704	2 function with off. 1 inlet, 2 outlets.**	\$334	—	—
1-705	3 function with share and off. 1 inlet, 2 outlets.	\$334	—	—
1-706	2 function with pause. 1 inlet, 2 outlets.**	\$334	—	—
1-707	3 function with share (no off). 1 inlet, 2 outlets.	\$334	—	—



2020-1200 8' Towel Bar

\$152 \$183 \$228



2020-1230 18" Towel Bar

\$217 \$260 \$324

2020-1250 24" Towel Bar

\$255 \$306 \$383



2020-1650 Single Robe Hook

\$76 \$90 \$125



2020-1570 Open Toilet Tissue Holder

\$207 \$248 \$311

SKYLAR - 2560, 2990



2020-1500 Double Post Toilet Tissue Holder

\$242

\$305

\$382

HOW TO ORDER:**STEP 1: Select Decorative Rings and Mounting Kit****STEP 2: Select Grab Bar Tube****STEP 1:** 2040-2400 Decorative Rings and Mounting Kit

\$220

\$230

\$282

STEP 2:

5080SQ 12" Grab Bar Tube

\$181

\$215

\$250

5081SQ 16" Grab Bar Tube

\$221

\$297

\$350

5082SQ 18" Grab Bar Tube

\$244

\$299

\$365

5083SQ 24" Grab Bar Tube

\$283

\$340

\$402

5085SQ 36" Grab Bar Tube

\$369

\$462

\$533



2040-3942 42" Grab Bar

\$691

\$933

\$1,074

Sold as complete unit





Available Finishes:		PC	PN	SN
5227	Double Post Toilet Tissue Holder with Cover	\$313	\$393	



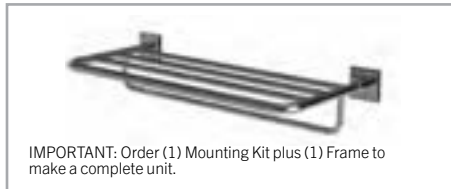
Available Finishes:		PC	PN	SN
5210T	Triple Robe Hook-Pivoting	\$206	\$227	



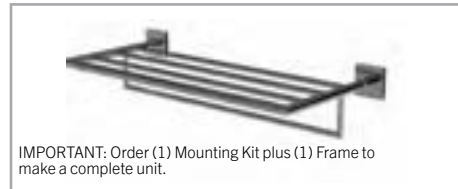
Available Finishes:		PC	PN	SN
5217	Valet Hook	\$253	\$278	



Available Finishes:		PC	PN	SN
5234T-24	24" Shelf	\$289	\$355	



Available Finishes:		PC	PN	SN
524B	Hotel Shelf Mounting Kit	\$124	\$148	
XX43-20	20" Hotel Shelf Frame with Towel Bar	\$306	\$366	
XX43-24	24" Hotel Shelf Frame with Towel Bar	\$326	\$387	



Available Finishes:		PC	PN	SN
524B	Hotel Shelf Mounting Kit	\$124	\$148	
XX43S-20	20" Hotel Shelf Frame w/Towel Bar, Squared Corners	\$384	\$463	
XX43S-24	24" Hotel Shelf Frame w/Towel Bar, Squared Corners	\$415	\$497	





Available Finishes:		NO FINISH
4641N	16" x 34" Overall Frameless Mirror	\$412



SLATER



2920 | 2950








LAVATORY FAUCETS | TUB & SHOWER | ACCESSORIES | GRAB BAR



		2920	Widespread Lavatory Faucet 1/2" valves. Spout c-c 7.13". 8" centers.	\$1,277	\$1,885	\$2,168
-----------------------------------------------------------------------------------	-----------------------------------------------------------------------------------	-------------	----------------------------------------------------------------------------	---------	---------	---------









		2930	Widespread Lavatory Faucet 1/2" valves. Spout c-c 6.01". 8" centers.	\$1,052	\$1,421	\$1,631
-----------------------------------------------------------------------------------	------------------------------------------------------------------------------------	-------------	----------------------------------------------------------------------------	---------	---------	---------

		2950	Widespread Lavatory Faucet 1/2" valves. Spout c-c 6.13". 8" centers.	\$1,277	\$1,885	\$2,168
-------------------------------------------------------------------------------------	-------------------------------------------------------------------------------------	-------------	----------------------------------------------------------------------------	---------	---------	---------

		2960	Widespread Lavatory Faucet 1/2" valves. Spout c-c 6.13". 8" centers.	\$1,175	\$1,752	\$2,039
-------------------------------------------------------------------------------------	-------------------------------------------------------------------------------------	-------------	----------------------------------------------------------------------------	---------	---------	---------

		3-2921	Wall Mount Lavatory Faucet Spout c-c 9.50". 8" centers. Drain not included. See Brasstech # 330, 3301, 3302 or 3303. MUST ORDER VALVE SEPARATELY.	\$964	\$1,300	\$1,498
		1-532U	2-valve rough with 1/2" NPT inlets & outlet.	\$358	—	—

	3-2922BP	BP Tub & Shower Set MUST ORDER VALVE SEPARATELY.	\$1,140	\$1,537	\$1,769
	1-685	Newport Brass BP Valve with diverter, 4 port with service stops, universal 1/2" NPT & direct sweat connections.	\$384	—	—

	5-2922BP	BP Tub & Shower Trim Less tub spout, showerhead, arm and flange. MUST ORDER VALVE SEPARATELY.	\$597	\$806	\$930
	1-685	Newport Brass BP Valve with diverter, 4 port with service stops, universal 1/2" NPT & direct sweat connections. See Shower & Drain Sections to complete shower.	\$384	—	—
	3-2924BP	BP Shower Set MUST ORDER VALVE SEPARATELY.	\$857	\$1,159	\$1,334
	1-684	Newport Brass BP Valve, 3 port with service stops, universal 1/2" NPT & direct sweat connections.	\$278	—	—
	4-2924BP	BP Shower Trim Less showerhead, arm and flange. MUST ORDER VALVE SEPARATELY.	\$501	\$678	\$779
	1-684	Newport Brass BP Valve, 3 port with service stops, universal 1/2" NPT & direct sweat connections. See Shower & Drain Sections to complete shower.	\$278	—	—
	3-234	Tub Spout 1/2" NPT inlet fitting. 7" spout overall length.	\$227	\$301	\$347
	3-2925	Wall Mount Tub Faucet Spout c-c 6-9/16". MUST ORDER VALVES SEPARATELY.	\$917	\$1,238	\$1,423
	1-500U	2-valve rough with 1/2" NPT inlets & outlet.	\$358	—	—
	3-2923TR	1/2" Thermostatic Trim Plate with Handles Integrated diverter handle with independent temperature control. MUST ORDER VALVE SEPARATELY.	\$817	\$1,101	\$1,266
	1-741	1/2" Thermostatic Rough-in Valve 1-Port	\$524	—	—
	1-742	1/2" Thermostatic Rough-in Valve 2-Port**	\$627	—	—
	1-743	1/2" Thermostatic Rough-in Valve 3-Port - Shared	\$686	—	—
	1-744	1/2" Thermostatic Rough-in Valve 3-Port**	\$686	—	—
	1-745	1/2" Thermostatic Rough-in Valve 2-Port - Shared	\$627	—	—
1-741	See page 348 for more details.				
	20-146	1/2" Valve Trim Extension Kit Extends 1-3/8". Please specify finish.	\$273	\$368	\$423

SLATER - 2920

**Cal Green compliant



3-2924TR 3/4" Thermostatic Trim Plate with Handle
MUST ORDER VALVE SEPARATELY. \$876 \$1,161 \$1,319



1-540 3/4" Thermostatic Rough-in Valve
Flow rate of 18 gallons per minute at 60 PSI.
Factory calibrated comfort setting at 100-deg F,
built-in check valves with service stops.
IAPMO Listed. Meets ASSE Standard 1016.
MUST USE WITH SEPARATE STOP/VOLUME CONTROL \$794 — —



2-260 3/4" Valve trim extension kit
Extends 1-3/8". Please specify finish. \$190 \$259 \$311



3-570 Diverter/Flow Control Trim
Use with stop or diverter valves, see page 355. \$294 \$389 \$443



1-606U 1/2" inlet/outlet universal stop valve.
(clockwise off, for cross or lever handle) \$195 — —



1-607U 3/4" inlet/outlet universal stop valve.
(clockwise off, for cross or lever handle) \$265 — —





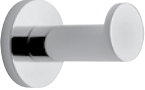



1-617 1/2" In-wall 2 & 3 way diverter valve
1 inlet, 3 outlets.** \$279 — —

1/2" in-wall diverter valves* with:





1-701 3 function with off. 1 inlet, 3 outlets.** \$334 — —
1-702 5 function with share and off. 1 inlet, 3 outlets. \$334 — —
1-703 3 function with pause. 1 inlet, 3 outlets.** \$334 — —
1-704 2 function with off. 1 inlet, 2 outlets.** \$334 — —
1-705 3 function with share and off. 1 inlet, 2 outlets. \$334 — —
1-706 2 function with pause. 1 inlet, 2 outlets.** \$334 — —
1-707 3 function with share (no off). 1 inlet, 2 outlets. \$334 — —

*SEE PAGES 312-315
FOR HOW TO USE
THESE DIVERTERS.

	990-1200 8" Towel Bar	\$128	\$155	\$224
	990-1230 18" Towel Bar	\$170	\$202	\$293
	990-1250 24" Towel Bar	\$179	\$216	\$306
	990-1650 Single Robe Hook	\$67	\$83	\$120
	990-1660 Robe Hook	\$89	\$106	\$154
	990-1570 Open Toilet Tissue Holder	\$114	\$139	\$201
	990-1500 Double Post Toilet Tissue Holder	\$182	\$217	\$314

SLATER - 2920

HOW TO ORDER: **STEP 1:** Select Decorative Rings and Mounting Kit
STEP 2: Select Grab Bar Tube

	STEP 1: 2480-2400 Decorative Rings and Mounting Kit	\$206	\$230	\$282
	STEP 2: 5080SQ 12" Grab Bar Tube	\$181	\$215	\$250
	5081SQ 16" Grab Bar Tube	\$221	\$297	\$350
	5082SQ 18" Grab Bar Tube	\$244	\$299	\$365
	5083SQ 24" Grab Bar Tube	\$283	\$340	\$402
	5085SQ 36" Grab Bar Tube	\$369	\$462	\$533





2480-3942 42" Grab Bar

\$691

\$933

\$1,074

Sold as complete unit





Available Finishes:		PC	SN
0222-24	24" Double Towel Bar	\$317	\$367



Available Finishes:		PC	SN
0218CT-10-10	Corner Shelf	\$129	\$159



Available Finishes:		PC	SN
0218T-18	18" Shelf	\$158	\$189



Available Finishes:		PC	SN
0219T-18	18" Shelf with Towel Bar	\$385	\$463



Available Finishes:		PC	SN
0234T-18	18" Shelf	\$192	\$230



Available Finishes:		PC	SN
0240-24	24" Hotel Shelf	\$413	\$484



Available Finishes:		PC	SN
0243-24	24" Hotel Shelf w/towel bar	\$512	\$591

SUTTON

2440 | 2450



LAVATORY FAUCETS | TUB & SHOWER | ACCESSORIES | GRAB BAR



2440

Widespread Lavatory Faucet
Cross Handles. 1/2" valves.
Spout c-c 5.24". 8" centers.

\$980

\$1,293

\$1,483



2450

Widespread Lavatory Faucet
Lever Handles 1/2" valves.
Spout c-c 5.24". 8" centers.

\$980

\$1,293

\$1,483



3-2441

Wall Mount Lavatory Faucet
Cross Handles. Spout c-c 6.88".
8" centers. Drain not included. See
Brasstech # 330, 3301, 3302 or 3303.
MUST ORDER VALVES SEPARATELY.

\$761

\$1,025

\$1,176

1-532U

2-valve rough with 1/2" NPT inlets & outlet.

\$358

—

—



3-2451

Wall Mount Lavatory Faucet
Lever Handles. Spout c-c 6.88".
8" centers. Drain not included. See
Brasstech # 330, 3301, 3302 or 3303.
MUST ORDER VALVES SEPARATELY.

\$761

\$1,025

\$1,176

1-532U

2-valve rough with 1/2" NPT inlets & outlet.

\$358

—

—



5-2442BP

BP Tub & Shower Trim. Cross Handle.
Less tub spout, showerhead, arm and flange.
MUST ORDER VALVE SEPARATELY.

\$547

\$712

\$821

1-685

Newport Brass BP Valve with diverter, 4 port with
service stops, universal 1/2" NPT & direct sweat
connections.

\$384

—

—

See Shower & Drain Sections to complete shower.



5-2452BP

BP Tub & Shower Trim. Lever Handle.
Less tub spout, showerhead, arm and flange.
MUST ORDER VALVE SEPARATELY.

\$547

\$712

\$821

1-685









Newport Brass BP Valve with diverter, 4 port with
service stops, universal 1/2" NPT & direct sweat
connections.

\$384

—

—

See Shower & Drain Sections to complete shower.

	4-2444BP	BP Shower Trim. Cross Handle. Less showerhead, arm and flange. MUST ORDER VALVE SEPARATELY.	\$455	\$594	\$683
	1-684	Newport Brass BP Valve, 3 port with service stops, universal 1/2" NPT & direct sweat connections. See Shower & Drain Sections to complete shower.	\$278	—	—
	3-2454BP	BP Shower Set. Lever Handle. MUST ORDER VALVE SEPARATELY.	\$960	\$1,244	\$1,440
	1-684	Newport Brass BP Valve, 3 port with service stops, universal 1/2" NPT & direct sweat connections.	\$278	—	—
	4-2454BP	BP Shower Trim. Lever Handle. Less showerhead, arm and flange. MUST ORDER VALVE SEPARATELY.	\$455	\$594	\$683
	1-684	Newport Brass BP Valve, 3 port with service stops, universal 1/2" NPT & direct sweat connections. See Shower & Drain Sections to complete shower.	\$278	—	—
	3-669	Tub Spout 1/2" NPT inlet fitting. 9.83" spout overall length.	\$246	\$334	\$381
	3-2445	Wall Mount Tub Faucet Cross Handles. MUST ORDER VALVE SEPARATELY.	\$761	\$990	\$1,142
	1-500U	2-valve rough with 1/2" NPT inlets & outlet.	\$358	—	—
	3-2455	Wall Mount Tub Faucet Lever Handles. MUST ORDER VALVE SEPARATELY.	\$761	\$990	\$1,142
	1-500U	2-Valve rough with 1/2" NPT inlets & outlet.	\$358	—	—
	3-2456	Roman Tub Faucet Lever Handles. Spout c-c 7.37" MUST ORDER VALVE SEPARATELY.	\$1,036	\$1,350	\$1,559
	1-502	3/4" valve for above. Quick connect included.	\$438	—	—
	3-2457	Roman Tub Faucet with Handshower Lever Handles. Spout c-c 7.37". MUST ORDER VALVES SEPARATELY.	\$1,398	\$1,817	\$2,097
	1-503	3/4" Valve for above. Includes No. 290 and quick connect.	\$883	—	—



SUTTON - 2440, 2450



2400-4272 Exposed Tub and Hand Shower Set - Deck Mount. **\$1,805** **\$2,300** **\$2,795**
 Cross Handles.
 7.25" centers. Spout c-c 9.11".
 Includes: 281 Hand Shower



2400-4273 Exposed Tub and Hand Shower Set - Deck Mount. **\$1,805** **\$2,300** **\$2,795**
 Lever Handles.
 7.25" centers. Spout c-c 9.11".
 Includes: 281 Hand Shower



2400-4282 Exposed Tub and Hand Shower Set - Wall Mount. **\$1,723** **\$2,214** **\$2,683**
 Cross Handles.
 6" centers. Spout c-c 7".
 Includes: 281 Hand Shower
 Floor-mount kit item
 3-196 or 3-226 sold separately.



2400-4283 Exposed Tub and Hand Shower Set - Wall Mount. **\$1,723** **\$2,214** **\$2,683**
 Lever Handles
 6" centers. Spout c-c 7".
 Includes: 281 Hand Shower
 Floor-mount kit item
 3-196 or 3-226 sold separately.



3-196 Floor Mount Kit for Exposed Tub Sets **\$637** **\$888** **\$1,066**
 Set includes: 2 each Floor Flanges
 2 each 3/4" Risers - 31" high.
 Stabilizer kit sold separately.

3-226 Same as above only 24" high. **\$612** **\$855** **\$1,029**
3-192 3/4" Shut-off Valves for above (1 pair hot & cold). **\$896** **\$1,065** **\$1,278**











1-378 Optional Rough For Exposed Tub Filler **\$440** — —
 For subfloor or concrete floor installations.
 3.65" overall height.
 10.38" x 5" overall base size.
 Universal 1/2" NPT connections. Test caps included.
 For use with 3-196 or 3-226 tub risers.



2-734 Stabilizer Kit for Exposed Tub Floor Riser Kits **\$314** **\$406** **\$435**
 Adjustable for risers that are 6" to 9" apart.
 Includes 1-1/2" finished ring for connecting kit to
 tub overflow pipe. Finished plate for wall mounting
 up to 10" center of riser pipes.



2459 Bidet Set **\$1,495** **\$2,014** **\$2,311**
 Lever Handles. 1/2" valves.
 Includes bottom spray with
 vacuum breaker, 4 hole mount bidet.

	3-2403TR	1/2" Thermostatic Trim Plate with Handles Integrated diverter handle with independent temperature control. MUST ORDER VALVE SEPARATELY.	\$628	\$834	\$960
	3-2413TR	1/2" Thermostatic Trim Plate with Handles Integrated diverter handle with independent temperature control. MUST ORDER VALVE SEPARATELY.	\$628	\$834	\$960
	1-741	1/2" Thermostatic Rough-in Valve 1-Port	\$524	—	—
	1-742	1/2" Thermostatic Rough-in Valve 2-Port**	\$627	—	—
	1-743	1/2" Thermostatic Rough-in Valve 3-Port - Shared	\$686	—	—
	1-744	1/2" Thermostatic Rough-in Valve 3-Port**	\$686	—	—
	1-745	1/2" Thermostatic Rough-in Valve 2-Port - Shared	\$627	—	—
1-741	See page 348 for more details.				
	20-146	1/2" Valve Trim Extension Kit Extends 1-3/8". Please specify finish.	\$273	\$368	\$423
	3-2404TR	3/4" Thermostatic Trim Plate with Handle MUST ORDER VALVE SEPARATELY.	\$702	\$912	\$1,055
	3-2414TR	3/4" Thermostatic Trim Plate with Handle MUST ORDER VALVE SEPARATELY.	\$702	\$912	\$1,055
	1-540	3/4" Thermostatic Rough-in Valve Flow rate of 18 gallons per minute at 60 PSI. Factory calibrated comfort setting at 100-deg F, built-in check valves with service stops. IAPMO Listed. Meets ASSE Standard 1016. MUST USE WITH SEPARATE STOP/VOLUME CONTROL	\$794	—	—
	2-260	3/4" Valve trim extension kit Extends 1-3/8". Please specify finish.	\$190	\$259	\$311



3-378 Diverter/Flow Control Trim
Use with stop or diverter valves, see page 355. \$237 \$311 \$358



3-379 Diverter/Flow Control Trim
Use with stop or diverter valves, see page 355. \$237 \$311 \$358



1-606U 1/2" inlet/outlet universal stop valve.
(clockwise off, for cross or lever handle) \$195 — —

1-607U 3/4" inlet/outlet universal stop valve.
(clockwise off, for cross or lever handle) \$265 — —



1-617 1/2" In-wall 2 & 3 way diverter valve
1 inlet, 3 outlets.** \$279 — —

1/2" in-wall diverter valves* with:



*SEE PAGES 312-315
FOR HOW TO USE
THESE DIVERTERS.

1-701 3 function with off. 1 inlet, 3 outlets.** \$334 — —
1-702 5 function with share and off. 1 inlet, 3 outlets. \$334 — —
1-703 3 function with pause. 1 inlet, 3 outlets.** \$334 — —
1-704 2 function with off. 1 inlet, 2 outlets.** \$334 — —
1-705 3 function with share and off. 1 inlet, 2 outlets. \$334 — —
1-706 2 function with pause. 1 inlet, 2 outlets.** \$334 — —
1-707 3 function with share (no off). 1 inlet, 2 outlets. \$334 — —



2-645 Tank Lever for Aylesbury,
Jacobean and Sutton Series \$147 \$190 \$223

6-505 Tank Lever Mechanism \$115 \$139 \$155



35-01 18" Towel Bar \$285 \$373 \$413

35-02 24" Towel Bar \$304 \$377 \$419



35-09 Towel Ring \$208 \$268 \$304



35-12 Single Robe Hook \$155 \$202 \$236



35-13 Double Robe Hook \$183 \$236 \$268



35-27 Open Toilet Tissue Holder \$187 \$237 \$274



35-28 Double Post Toilet Tissue Holder \$268 \$340 \$391

HOW TO ORDER: **STEP 1:** Select Decorative Rings and Mounting Kit
STEP 2: Select Grab Bar Tube



STEP 1: 2440-2400 Decorative Rings and Mounting Kit \$259 \$383 \$429



STEP 2:
 5080 12" Grab Bar Tube \$140 \$206 \$230
 5081 16" Grab Bar Tube \$166 \$233 \$293
 5082 18" Grab Bar Tube \$187 \$260 \$285
 5083 24" Grab Bar Tube \$224 \$301 \$347
 5085 36" Grab Bar Tube \$330 \$410 \$485



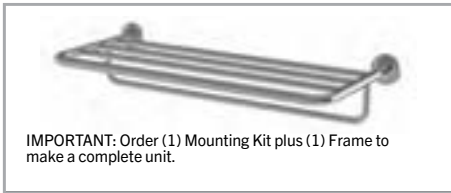
2440-3942 42" Grab Bar \$691 \$933 \$1,074

Sold as complete unit



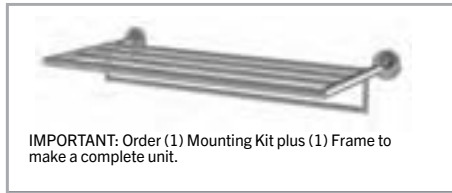


Available Finishes:		PC	PN	SN
5635T-18	18" Gallery Shelf	\$477	\$570	



IMPORTANT: Order (1) Mounting Kit plus (1) Frame to make a complete unit.

Available Finishes:		PC	PN	SN
564B	Hotel Shelf Mounting Kit	\$137	\$164	
XX43-20	20" Hotel Shelf Frame with Towel Bar	\$306	\$366	
XX43-24	24" Hotel Shelf Frame with Towel Bar	\$326	\$387	



IMPORTANT: Order (1) Mounting Kit plus (1) Frame to make a complete unit.

Available Finishes:		PC	PN	SN
564B	Hotel Shelf Mounting Kit	\$137	\$164	
XX43S-20	20" Hotel Shelf Frame with Towel Bar, Squared Corners	\$384	\$463	
XX43S-24	24" Hotel Shelf Frame with Towel Bar, Squared Corners	\$415	\$497	



Available Finishes:		PC	PN	SN
5642	24.50" x 36.58" Overall Frameless Pivoting Mirror	\$663	\$777	










TAFT

2940



LAVATORY FAUCETS | TUB & SHOWER | ACCESSORIES | GRAB BARS

TAFT - 2940

 	<p>2940</p>	<p>Widespread Lavatory Faucet 1/2" valves. 6.01" centers. Spout c-c 6.01".</p>	<p>\$995</p>	<p>\$1,373</p>	<p>\$1,650</p>
 	<p>2940C</p>	<p>Widespread Lavatory 1/2" valves. 8" centers. Spout c-c 7.13".</p>	<p>\$1,143</p>	<p>\$1,478</p>	<p>\$1,870</p>
 	<p>3-2941</p>	<p>Wall Mount Lavatory Faucet Spout c-c 9.50". 8" centers Drain not included. See Brasstech #330, 3301, 3302 or 3303. MUST ORDER VALVES SEPARATELY.</p>	<p>\$834</p>	<p>\$1,213</p>	<p>\$1,468</p>
<p>1-532U</p>	<p>2-valve rough with 1/2" NPT inlets & outlet.</p>	<p>\$358</p>	<p>—</p>	<p>—</p>	
	<p>5-2942BP</p>	<p>BP Tub and Shower Trim Less tub spout, showerhead, arm and flange. MUST ORDER VALVE SEPARATELY.</p>	<p>\$522</p>	<p>\$543</p>	<p>\$627</p>
	<p>1-685</p>	<p>Newport Brass BP Valve with diverter, 4 port with service stops, universal 1/2" NPT & direct sweat connections. See Shower & Drain Sections to complete shower.</p>	<p>\$384</p>	<p>—</p>	<p>—</p>
	<p>4-2944BP</p>	<p>BP Shower Trim Plate with Handle Less showerhead, arm and flange. MUST ORDER VALVE SEPARATELY.</p>	<p>\$438</p>	<p>\$539</p>	<p>\$607</p>
	<p>1-684</p>	<p>Newport Brass BP Valve, 3 port with service stops, universal 1/2" NPT & direct sweat connections. See Shower & Drain Sections to complete shower.</p>	<p>\$278</p>	<p>—</p>	<p>—</p>
	<p>3-729</p>	<p>Tub Spout 1/2" NPT inlet fitting. 9.94" spout overall length.</p>	<p>\$300</p>	<p>\$384</p>	<p>\$426</p>

	3-2945	Wall Mount Tub Faucet Spout c-c 9.50". MUST ORDER VALVES SEPARATELY.	\$832	\$1,163	\$1,349
	1-500U	2-valve rough with 1/2" NPT inlets & outlet.	\$358	—	—
	3-2946	Roman Tub Faucet Spout c-c 8.25". MUST ORDER VALVES SEPARATELY.	\$1,240	\$1,736	\$1,993
	1-697	3/4" valve for above. Quick connect included.	\$438	—	—
	3-2947	Roman Tub Faucet with Handshower Spout c-c 8.25". MUST ORDER VALVES SEPARATELY.	\$1,650	\$2,184	\$2,573
	1-698	3/4" valve for above. Includes hose & quick connect.	\$883	—	—
	2949	Bidet Set 1/2" valves. Includes bottom spray with vacuum breaker. 4 hole mount bidet.	\$1,801	\$2,520	\$2,772
	3-2943TR	1/2" Thermostatic Trim Plate with Handles Integrated diverter handle with independent temperature control. MUST ORDER VALVE SEPARATELY.	\$754	\$866	\$1,038
	1-741	1/2" Thermostatic Rough-in Valve 1-Port	\$524	—	—
	1-742	1/2" Thermostatic Rough-in Valve 2-Port**	\$627	—	—
	1-743	1/2" Thermostatic Rough-in Valve 3-Port - Shared	\$686	—	—
	1-744	1/2" Thermostatic Rough-in Valve 3-Port**	\$686	—	—
	1-745	1/2" Thermostatic Rough-in Valve 2-Port - Shared	\$627	—	—
1-741		See page 348 for more details.			
	20-146	1/2" Valve Trim Extension Kit Extends 1-3/8". Please specify finish.	\$273	\$368	\$423
	3-2944TR	3/4" Thermostatic Trim Plate with Handle MUST ORDER VALVES SEPARATELY.	\$654	\$788	\$876

**Cal Green compliant



1-540 3/4" Thermostatic Rough-in Valve
 Flow rate of 18 gallons per minute at 60 PSI.
 Factory calibrated comfort setting at 100-deg F,
 built-in check valves with service stops.
 IAPMO Listed. Meets ASSE Standard 1016.
MUST USE WITH SEPARATE STOP/VOLUME CONTROL

\$794 — —



2-260 3/4" Valve trim extension kit
 Extends 1-3/8". Please specify finish.

\$190 \$259 \$311



3-727 3/4" Diverter/Flow Control Trim
 Use with stop or diverter valves, see page 355.

\$213 \$298 \$373



1-606U 1/2" inlet/outlet universal stop valve.
 (clockwise off, for cross or lever handle)

\$195 — —

1-607U 3/4" inlet/outlet universal stop valve.
 (clockwise off, for cross or lever handle)

\$265 — —



1-617 1/2" In-wall 2 & 3 way diverter valve
 1 inlet, 3 outlets.**

\$279 — —

1/2" in-wall diverter valves* with:



*SEE PAGES 312-315
 FOR HOW TO USE
 THESE DIVERTERS.

1-701 3 function with off. 1 inlet, 3 outlets.** \$334 — —

1-702 5 function with share and off. 1 inlet, 3 outlets. \$334 — —

1-703 3 function with pause. 1 inlet, 3 outlets.** \$334 — —

1-704 2 function with off. 1 inlet, 2 outlets.** \$334 — —

1-705 3 function with share and off. 1 inlet, 2 outlets. \$334 — —

1-706 2 function with pause. 1 inlet, 2 outlets.** \$334 — —

1-707 3 function with share (no off). 1 inlet, 2 outlets. \$334 — —



1600-1230 18" Towel Bar \$154 \$185 \$251

1600-1250 24" Towel Bar \$159 \$189 \$256

TAFT - 2940



1600-1200 8" Towel Bar

\$143 \$167 \$228



1600-1660 Double Robe Hook

\$93 \$113 \$154



1600-1500 Double Post Toilet Tissue Holder

\$177 \$213 \$291

HOW TO ORDER: **STEP 1:** Select Decorative Rings and Mounting Kit
STEP 2: Select Grab Bar Tube



STEP 1: 920-2400 Decorative Rings and Mounting Kit

\$160 \$218 \$274

STEP 2:
 5080 12" Grab Bar Tube
 5081 16" Grab Bar Tube
 5082 18" Grab Bar Tube
 5083 24" Grab Bar Tube
 5085 36" Grab Bar Tube

\$140 \$206 \$230
 \$166 \$233 \$293
 \$187 \$260 \$285
 \$224 \$301 \$347
 \$330 \$410 \$485



Sold as complete unit

920-3942 42" Grab Bar



\$599 \$781 \$944



Available Finishes:		PC	PN	SN
2622-24	24" Double Towel Bar	\$276	\$328	



Available Finishes:		PC	PN	SN
2609	Hanging Toilet Tissue Holder	\$186	\$220	



Available Finishes:		PC	PN	SN
2636T	12" Shelf With Towel Bar	\$225	\$259	



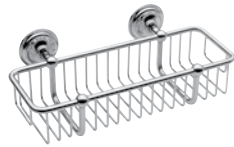
Available Finishes:		PC	PN	SN
2619T-24	24" Shelf with Towel Bar	\$300	\$360	



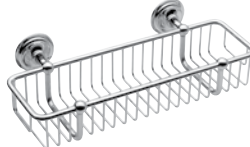
Available Finishes:		PC	PN	SN
2635T-24	24" Gallery Rail Shelf	\$300	\$360	




Available Finishes:		PC	PN	SN
26550	Soap Basket	\$197	\$236	



Available Finishes:		PC	PN	SN
26551	10" Toiletry Basket	\$322	\$382	



Available Finishes:		PC	PN	SN
26552	12" Toiletry Basket	\$402	\$481	



Available Finishes:		PC	PN	SN
26554	9" Corner Basket	\$340	\$407	



Available Finishes:		PC	PN	SN
2681	Single Light White Fabric Shade	\$239	\$281	



Available Finishes:		PC	PN	SN
2641	18.63" x 30.65" Overall Frameless Pivoting Mirror	\$452	\$519	



Available Finishes:		PC	PN	SN
2642	23.60" x 36.65" Overall Frameless Pivoting Mirror	\$485	\$554	

TOLMIN

3320 | 3330 | 3380 | 3390 | 3400 | 3410



LAVATORY FAUCETS | TUB & SHOWER | ACCESSORIES | GRAB BARS



3320 Widespread Lavatory Faucet
Lever Handles. 1/2" valves. 8" centers.
Spout c-c 6.01".

\$943 \$1,320 \$1,650



3330 Widespread Lavatory Faucet
Cross Handles. 1/2" valves. 8" centers.
Spout c-c 6.01".

\$943 \$1,320 \$1,650



3320C Widespread Lavatory Faucet
Lever Handles. 1/2" valves.
8" centers. Spout c-c 7.13".

\$1,038 \$1,452 \$1,814



3330C Widespread Lavatory Faucet
Cross Handles. 1/2" valves.
8" centers. Spout c-c 7.13".

\$1,038 \$1,452 \$1,814

NEW



3380 Widespread Lavatory Faucet
1/2" valves. 8" centers.
Spout c-c 5.25".

\$943 \$1,320 \$1,650

NEW



3390 Widespread Lavatory Faucet
1/2" valves. 8" centers.
Spout c-c 5.25".

\$943 \$1,320 \$1,650

NEW



3400

Widespread Lavatory Faucet
1/2" valves. 8" centers.
Spout c-c 5.54".

\$1,052

\$1,421

\$1,631

NEW



3410

Widespread Lavatory Faucet
1/2" valves. 8" centers.
Spout c-c 5.54".

\$1,052

\$1,421

\$1,631



3-3321

Wall Mount Lavatory Faucet
Lever Handles. Spout c-c 8.25".
8" centers. Drain not included. See
Brasstech #330, 3301, 3302 or 3303.
MUST ORDER VALVES SEPARATELY.

\$792

\$1,108

\$1,384

1-532U

2-valve rough with 1/2" NPT inlets & outlet.

\$358

—

—



3-3331

Wall Mount Lavatory Faucet
Cross Handles. Spout c-c 8.25".
8" centers. Drain not included. See
Brasstech #330, 3301, 3302 or 3303.
MUST ORDER VALVES SEPARATELY.

\$792

\$1,108

\$1,384

1-532U

2-valve rough with 1/2" NPT inlets & outlet.

\$358

—

—



5-3322BP

BP Tub and Shower Trim. Lever Handle.
Less tub spout, showerhead, arm and flange.
MUST ORDER VALVE SEPARATELY.

\$522

\$543

\$627

1-685

Newport Brass BP Valve with diverter, 4 port with
service stops, universal 1/2" NPT & direct sweat
connections.

\$384

—

—

See Shower & Drain Sections to complete shower.



5-3332BP

BP Tub and Shower Trim. Cross Handle.
Less tub spout, showerhead, arm and flange.
MUST ORDER VALVE SEPARATELY.

\$522

\$543

\$627

1-685

Newport Brass BP Valve with diverter, 4 port with
service stops, universal 1/2" NPT & direct sweat
connections.

\$384

—

—

See Shower & Drain Sections to complete shower.



4-3324BP

BP Shower Trim Plate with Handle. Lever Handle.
Less showerhead, arm and flange.
MUST ORDER VALVE SEPARATELY.

\$438

\$539

\$607

1-684

Newport Brass BP Valve, 3 port with service stops,
universal 1/2" NPT & direct sweat connections.

\$278

—

—

See Shower & Drain Sections to complete shower.



4-3334BP

BP Shower Trim Plate with Handle. Cross Handle.
Less showerhead, arm and flange.
MUST ORDER VALVE SEPARATELY.

\$438

\$539

\$607

1-684

Newport Brass BP Valve, 3 port with service stops,
universal 1/2" NPT & direct sweat connections.

\$278

—

—

See Shower & Drain Sections to complete shower.

TOLMIN - 3320, 3300



3-724 Tub Spout
1/2" NPT inlet fitting.
8.69" spout overall length.

\$300 \$384 \$426



3-3325 Wall Mount Tub Faucet
Lever Handles. Spout c-c 9.94".
MUST ORDER VALVES SEPARATELY.

\$666 \$864 \$999



1-500U 2-valve rough with 1/2" NPT inlets & outlet.

\$358 — —



3-3326 Roman Tub Faucet
Lever Handles. Spout c-c 8.25".
MUST ORDER VALVES SEPARATELY.

\$960 \$1,251 \$1,444



1-697 3/4" valve for above.
Quick connect included.

\$438 — —



3-3327 Roman Tub Faucet with Handshower
Lever Handles. Spout c-c 8.25".
MUST ORDER VALVES SEPARATELY.

\$1,294 \$1,683 \$1,941



1-698 3/4" valve for above.
Includes hose & quick connect.

\$883 — —



3-3323TR 1/2" Thermostatic Trim Plate with Lever Handle
Integrated diverter handle with independent
temperature control.
MUST ORDER VALVE SEPARATELY.

\$649 \$835 \$1,038





3-3333TR 1/2" Thermostatic Trim Plate with Cross Handle
Integrated diverter handle with independent temperature control.
MUST ORDER VALVE SEPARATELY.

\$649 \$835 \$1,038



1-741

1-741 1/2" Thermostatic Rough-in Valve 1-Port \$524 — —
1-742 1/2" Thermostatic Rough-in Valve 2-Port** \$627 — —
1-743 1/2" Thermostatic Rough-in Valve 3-Port - Shared \$686 — —
1-744 1/2" Thermostatic Rough-in Valve 3-Port** \$686 — —
1-745 1/2" Thermostatic Rough-in Valve 2-Port - Shared \$627 — —
 See page 348 for more details..



20-146 1/2" Valve Trim Extension Kit
Extends 1-3/8". Please specify finish.

\$273 \$368 \$423



3-3324TR 3/4" Thermostatic Trim Plate with Lever Handle
MUST ORDER VALVES SEPARATELY.

\$549 \$683 \$771



3-3334TR 3/4" Thermostatic Trim Plate with Cross Handle
MUST ORDER VALVES SEPARATELY.

\$549 \$683 \$771



1-540 3/4" Thermostatic Rough-in Valve
Flow rate of 18 gallons per minute at 60 PSI.
Factory calibrated comfort setting at 100-deg F,
built-in check valves with service stops.
IAPMO Listed. Meets ASSE Standard 1016.
MUST USE WITH SEPARATE STOP/VOLUME CONTROL

\$794 — —



2-260 3/4" Valve trim extension kit
Extends 1-3/8". Please specify finish.

\$190 \$259 \$311



3-721 Diverter/Flow Control Trim. Lever Handle.
Use with stop or diverter valves, see page 355.

\$213 \$298 \$373



3-722 Diverter/Flow Control Trim. Cross Handle. \$213 \$298 \$373
Use with stop or diverter valves, see page 355.



1-606U 1/2" inlet/outlet universal stop valve. \$195 — —
(clockwise off, for cross or lever handle)

1-607U 3/4" inlet/outlet universal stop valve. \$265 — —
(clockwise off, for cross or lever handle)



1-617 1/2" In-wall 2 & 3 way diverter valve \$279 — —
1 inlet, 3 outlets.**

1/2" in-wall diverter valves* with:



*SEE PAGES 312-315
FOR HOW TO USE
THESE DIVERTERS.

1-701 3 function with off. 1 inlet, 3 outlets.** \$334 — —
1-702 5 function with share and off. 1 inlet, 3 outlets. \$334 — —
1-703 3 function with pause. 1 inlet, 3 outlets.** \$334 — —
1-704 2 function with off. 1 inlet, 2 outlets.** \$334 — —
1-705 3 function with share and off. 1 inlet, 2 outlets. \$334 — —
1-706 2 function with pause. 1 inlet, 2 outlets.** \$334 — —
1-707 3 function with share (no off). 1 inlet, 2 outlets. \$334 — —



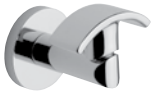
990-1200 8" Towel Bar \$128 \$155 \$224



990-1230 18" Towel Bar \$170 \$202 \$293
990-1250 24" Towel Bar \$179 \$216 \$306



990-1650 Single Robe Hook \$67 \$83 \$120



990-1660 Robe Hook

\$89 \$106 \$154



990-1570 Open Toilet Tissue Holder

\$114 \$139 \$201



990-1500 Double Post Toilet Tissue Holder

\$182 \$217 \$314

HOW TO ORDER: STEP 1: Select Decorative Rings and Mounting Kit
STEP 2: Select Grab Bar Tube



STEP 1: 990-2400 Decorative Rings and Mounting Kit

\$160 \$218 \$274

STEP 2:
5080 12" Grab Bar Tube
5081 16" Grab Bar Tube
5082 18" Grab Bar Tube
5083 24" Grab Bar Tube
5085 36" Grab Bar Tube

\$140 \$206 \$230
\$166 \$233 \$293
\$187 \$260 \$285
\$224 \$301 \$347
\$330 \$410 \$485



Sold as complete unit

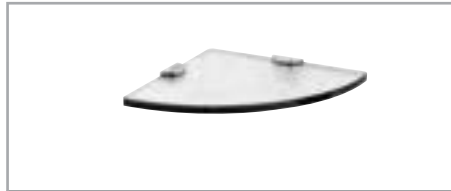
990-3942 42" Grab Bar

\$599 \$781 \$944





Available Finishes:	PC	SN
0222-24 24" Double Towel Bar	\$317	\$367



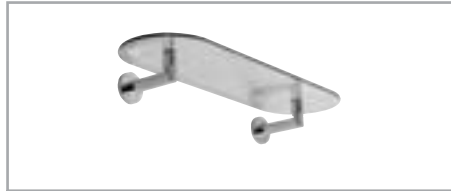
Available Finishes:	PC	SN
0218CT-10-10 Corner Shelf	\$129	\$159



Available Finishes:	PC	SN
0218T-18 18" Shelf	\$158	\$189



Available Finishes:	PC	SN
0219T-18 18" Shelf with Towel Bar	\$385	\$463



Available Finishes:	PC	SN
0234T-18 18" Shelf	\$192	\$230



Available Finishes:	PC	SN
0240-24 24" Hotel Shelf	\$413	\$484



Available Finishes:	PC	SN
0243-24 24" Hotel Shelf w/towel bar	\$512	\$591

VANDER

2910



LAVATORY FAUCETS | TUB & SHOWER | ACCESSORIES



2910 Widespread Lavatory Faucet
Lever Handles.
1/2" valves. Spout c-c 5.82".
8" centers. \$1,189 \$1,546 \$1,778



5-2912BP BP Shower Trim. Lever Handle.
Less tub spout, showerhead, arm and flange.
MUST ORDER VALVE SEPARATELY. \$593 \$771 \$885

1-685 Newport Brass BP Valve with diverter, 4 port with
service stops, universal 1/2" NPT & direct sweat
connections. \$384 — —
See Shower & Drain Sections to complete shower.



4-2914BP BP Shower Trim. Lever Handle.
Less showerhead, arm and flange.
MUST ORDER VALVE SEPARATELY. \$502 \$654 \$753

1-684 Newport Brass BP Valve, 3 port with service stops,
universal 1/2" NPT & direct sweat connections. \$278 — —
See Shower & Drain Sections to complete shower.



20-131 Tub Spout
1/2" NPT inlet fitting.
6.71" spout overall length. \$240 \$334 \$381



3-2915 Wall Mount Tub Faucet. Lever Handles.
Spout c-c 6.05".
MUST ORDER VALVES SEPARATELY. \$895 \$1,161 \$1,337



1-500U 2-valve rough with 1/2" NPT inlets & outlet. \$358 — —



3-2916 Roman Tub Faucet. Lever Handles.
Spout c-c 9.12".
MUST ORDER VALVES SEPARATELY. \$1,272 \$1,647 \$1,895

1-665 3/4" valve for above. Includes quick connect. \$438 — —

VANDER - 2900, 2910



3-2917	Roman Tub Faucet with Handshower. Lever Handles. Spout c-c 9.12". MUST ORDER VALVES SEPARATELY.	\$1,874	\$2,441	\$2,806
1-666	3/4" valve for above. Includes hose and quick connect.	\$883	—	—



2919	Bidet Set. Lever Handles. 1/2" valves. Includes bottom spray with vacuum breaker, 4 hole mount bidet.	\$1,450	\$1,884	\$2,165
-------------	-------------------------------------------------------------------------------------------------------	---------	---------	---------



3-2913TR	1/2" Thermostatic Trim Plate with Handles Integrated diverter handle with independent temperature control. MUST ORDER VALVE SEPARATELY.	\$734	\$927	\$1,066
-----------------	-----------------------------------------------------------------------------------------------------------------------------------------	-------	-------	---------



1-741	1/2" Thermostatic Rough-in Valve 1-Port	\$524	—	—
1-742	1/2" Thermostatic Rough-in Valve 2-Port**	\$627	—	—
1-743	1/2" Thermostatic Rough-in Valve 3-Port - Shared	\$686	—	—
1-744	1/2" Thermostatic Rough-in Valve 3-Port**	\$686	—	—
1-745	1/2" Thermostatic Rough-in Valve 2-Port - Shared	\$627	—	—

See page 348 for more details.



20-146	1/2" Valve Trim Extension Kit Extends 1-3/8". Please specify finish.	\$273	\$368	\$423
---------------	----------------------------------------------------------------------	-------	-------	-------



3-2914TR	3/4" Thermostatic Trim Plate with Handles MUST ORDER VALVE SEPARATELY.	\$753	\$980	\$1,126
-----------------	------------------------------------------------------------------------	-------	-------	---------











1-540	3/4" Thermostatic Rough-in Valve Flow rate of 18 gallons per minute at 60 PSI. Factory calibrated comfort setting at 100-deg F, built-in check valves with service stops. IAPMO Listed. Meets ASSE Standard 1016. MUST USE WITH SEPARATE STOP/VOLUME CONTROL	\$794	—	—
--------------	--------------------------------------------------------------------------------------------------------------------------------------------------------------------------------------------------------------------------------------------------------------	-------	---	---



2-260	3/4" Valve trim extension kit Extends 1-3/8". Please specify finish.	\$190	\$259	\$311
--------------	----------------------------------------------------------------------	-------	-------	-------

**Cal Green compliant

	3-561	Diverter/Flow Control Trim. Lever Handle. Use with stop or diverter valves, see page 355.	\$264	\$355	\$408
	1-606U	1/2" inlet/outlet universal stop valve. (clockwise off, for cross or lever handle)	\$195	—	—
	1-607U	3/4" inlet/outlet universal stop valve. (clockwise off, for cross or lever handle)	\$265	—	—
	1-617	1/2" In-wall 2 & 3 way diverter valve 1 inlet, 3 outlets.**	\$279	—	—
		<u>1/2" in-wall diverter valves* with:</u>			
	1-701	3 function with off. 1 inlet, 3 outlets.**	\$334	—	—
	1-702	5 function with share and off. 1 inlet, 3 outlets.	\$334	—	—
	1-703	3 function with pause. 1 inlet, 3 outlets.**	\$334	—	—
	1-704	2 function with off. 1 inlet, 2 outlets.**	\$334	—	—
	1-705	3 function with share and off. 1 inlet, 2 outlets.	\$334	—	—
	1-706	2 function with pause. 1 inlet, 2 outlets.**	\$334	—	—
	1-707	3 function with share (no off). 1 inlet, 2 outlets.	\$334	—	—
	40-02	24" Towel Bar	\$250	\$299	\$398
	40-10	Open Towel Ring	\$204	\$246	\$317
	40-13	Double Robe Hook	\$233	\$289	\$362

*SEE PAGES 312-315
FOR HOW TO USE
THESE DIVERTERS.



40-28	Double Post Toilet Tissue Holder	\$233	\$282	\$370
-------	----------------------------------	-------	-------	-------

HOW TO ORDER: **STEP 1:** Select Decorative Rings and Mounting Kit
STEP 2: Select Grab Bar Tube



STEP 1:	2440-2400	Decorative Rings and Mounting Kit	\$259	\$383	\$429
----------------	-----------	-----------------------------------	-------	-------	-------

STEP 2:	5080	12" Grab Bar Tube	\$140	\$206	\$230
	5081	16" Grab Bar Tube	\$166	\$233	\$293
	5082	18" Grab Bar Tube	\$187	\$260	\$285
	5083	24" Grab Bar Tube	\$224	\$301	\$347
	5085	36" Grab Bar Tube	\$330	\$410	\$485



2440-3942	42" Grab Bar	\$691	\$933	\$1,074
-----------	--------------	-------	-------	---------

Sold as complete unit





Available Finishes:		PC	PN SN
4802	18" Towel Bar	\$233	\$289



Available Finishes:		PC	PN SN
4827	Double Post Toilet Tissue Holder w/Glass Cover	\$269	\$324



Available Finishes:		PC	PN SN
4817	Valet Hook	\$263	\$290



**Mirror tilts 4.5° with mechanism.

Available Finishes:		PC	PN SN
642	26.40" x 36" Overall Framed Mirror	\$774	\$931
MTM-009	Tilting Mechanism Optional**	\$88	\$88

VICTORIA

1760 | 1770



LAVATORY FAUCETS | TUB & SHOWER | TANK LEVER | ACCESSORIES | GRAB BARS



1760 Widespread Lavatory Faucet
Cross Handles. 1/2" valves.
Spout c-c 5.93". 8" centers. \$1,042 \$1,430 \$1,642



1770 Widespread Lavatory Faucet
Lever Handles. 1/2" valves.
Spout c-c 5.93". 8" centers. \$1,042 \$1,430 \$1,642



3-1761 Wall Mount Lavatory Faucet
Cross Handles. Spout c-c 7.70". 8" centers.
Drain not included. For sink drain to use
with No. 9301. See Brasstech
330, 3301, 3302 or 3303.
MUST ORDER VALVES SEPARATELY. \$798 \$1,036 \$1,199

1-532U 2-valve rough with 1/2" NPT inlets & outlets. \$358 — —



3-1771 Wall Mount Lavatory Faucet
Lever Handles. Spout c-c 7.70". 8" centers.
Drain not included. See Brasstech
330, 3301, 3302 or 3303.
MUST ORDER VALVES SEPARATELY. \$798 \$1,036 \$1,199

1-532U 2-valve rough with 1/2" NPT inlets & outlet. \$358 — —



5-1762BP BP Tub & Shower Trim. Cross Handle.
Less tub spout, showerhead, arm and flange.
MUST ORDER VALVE SEPARATELY. \$569 \$741 \$855

1-685 Newport Brass BP Valve with diverter, 4 port with
service stops, universal 1/2" NPT & direct sweat
connections. \$384 — —

See Shower & Drain Sections to complete shower.



5-1772BP BP Tub & Shower Trim. Lever Handle.
Less tub spout, showerhead, arm and flange.
MUST ORDER VALVE SEPARATELY. \$569 \$741 \$855

1-685 Newport Brass BP Valve with diverter, 4 port with
service stops, universal 1/2" NPT & direct sweat
connections. \$384 — —

See Shower & Drain Sections to complete shower.



4-1764BP BP Shower Trim. Cross Handle.
Less showerhead, arm and flange.
MUST ORDER VALVE SEPARATELY. \$480 \$624 \$719

1-684 Newport Brass BP Valve, 3 port with service stops,
universal 1/2" NPT & direct sweat connections. \$278 — —

See Shower & Drain Sections to complete shower.



4-1774BP BP Shower Trim. Lever Handle.
Less showerhead, arm and flange.
MUST ORDER VALVE SEPARATELY. \$480 \$624 \$719

1-684 Newport Brass BP Valve, 3 port with service stops,
universal 1/2" NPT & direct sweat connections. \$278 — —

See Shower & Drain Sections to complete shower.



3-667 Tub Spout
1/2" NPT inlet fitting.
9.42" spout overall length. \$314 \$394 \$425



3-1765 Wall Mount Tub Faucet
Cross Handles. Spout c-c 8.87".
MUST ORDER VALVES SEPARATELY. \$798 \$1,036 \$1,199

1-500U 2-valve rough with 1/2" NPT inlets & outlet. \$358 — —



3-1775 Wall Mount Tub Faucet
Lever Handles. Spout c-c 8.87".
MUST ORDER VALVES SEPARATELY. \$798 \$1,036 \$1,199

1-500U 2-valve rough with 1/2" NPT inlets & outlet. \$358 — —



3-1766 Roman Tub Faucet
Cross Handles. Spout c-c 8.40".
MUST ORDER VALVES SEPARATELY. \$1,199 \$1,559 \$1,798

1-586 3/4" valve only for above. Quick connect included. \$438 — —



3-1776 Roman Tub Faucet
Lever Handles Spout c-c 8.40".
MUST ORDER VALVES SEPARATELY. \$1,199 \$1,559 \$1,798

1-586 3/4" valve only for above. Quick connect included. \$438 — —



3-1767 Roman Tub Faucet with Handshower
Cross Handles. Spout c-c 8.40".
MUST ORDER VALVES SEPARATELY. \$1,559 \$2,028 \$2,336

1-587 3/4" valve only for above. Includes hose and
quick connect. \$883 — —

VICTORIA - 1760, 1770



3-1777

Roman Tub Faucet with Handshower Lever Handles. Spout 8.40" c-c 11". MUST ORDER VALVES SEPARATELY.

\$1,559 \$2,028 \$2,336

1-587

3/4" valve for above. Includes hose and quick connect.

\$883 — —



1760-4272

Exposed Tub and Hand Shower Set - Deck Mount Cross Handles. 7.25" centers. Spout c-c 9.11". Includes: 281 Hand Shower

\$1,805 \$2,300 \$2,795



1770-4273

Exposed Tub and Hand Shower Set - Deck Mount Lever Handles. 7.25" centers. Spout c-c 9.11". Includes: 281 Hand Shower

\$1,805 \$2,300 \$2,795



1760-4282

Exposed Tub and Hand Shower Set - Wall Mount Cross Handles. 6" centers. Spout c-c 7". Includes: 281 Hand Shower Floor-mount kit item 3-196 or 3-226 sold separately.

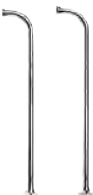
\$1,723 \$2,214 \$2,683



1770-4283

Exposed Tub and Hand Shower Set - Wall Mount Lever Handles. 6" centers. Spout c-c 7". Includes: 281 Hand Shower Floor-mount kit item 3-196 or 3-226 sold separately.

\$1,723 \$2,214 \$2,683



3-196

Floor Mount Kit for Exposed Tub Sets Set includes: 2 each Floor Flanges 2 each 3/4" Risers - 31" high. Stabilizer kit sold separately.

\$637 \$888 \$1,066

3-226

Same as above only 24" high.

\$612 \$855 \$1,029

3-192

3/4" Shut-off Valves for above (1 pair hot & cold).

\$896 \$1,065 \$1,278



1-378

Optional Rough For Exposed Tub Filler For subfloor or concrete floor installations. 3.65" overall height. 10.38" x 5" overall base size. Universal 1/2" NPT connections. Test caps included. For use with 3-196 or 3-226 tub risers.

\$440 — —



2-734

Stabilizer Kit for Exposed Tub Floor Riser Kits Adjustable for risers that are 6" to 9" apart. Includes 1-1/2" finished ring for connecting kit to tub overflow pipe. Finished plate for wall mounting up to 10" center of riser pipes.

\$314 \$406 \$435

Wall Mount Plate

	1779	Bidet Set Lever Handles. 1/2" valves. Includes bottom spray with vacuum breaker, 4 hole mount bidet.	\$1,795	\$2,399	\$2,878
	3-1763TR	1/2" Thermostatic Trim Plate with Handles Integrated diverter handle with independent temperature control. MUST ORDER VALVE SEPARATELY.	\$597	\$789	\$905
	1-741 1-742 1-743 1-744 1-745	1/2" Thermostatic Rough-in Valve 1-Port 1/2" Thermostatic Rough-in Valve 2-Port** 1/2" Thermostatic Rough-in Valve 3-Port - Shared 1/2" Thermostatic Rough-in Valve 3-Port** 1/2" Thermostatic Rough-in Valve 2-Port - Shared See page 348 for more details.	\$524 \$627 \$686 \$686 \$627	— — — — —	— — — — —
	20-146	1/2" Valve Trim Extension Kit Extends 1-3/8". Please specify finish.	\$273	\$368	\$423
	3-1764TR	3/4" Thermostatic Trim Plate with Handle MUST ORDER VALVE SEPARATELY.	\$638	\$831	\$960
	1-540	3/4" Thermostatic Rough-in Valve Flow rate of 18 gallons per minute at 60 PSI. Factory calibrated comfort setting at 100-deg F, built-in check valves with service stops. IAPMO Listed. Meets ASSE Standard 1016. MUST USE WITH SEPARATE STOP/VOLUME CONTROL	\$794	—	—
	2-260	3/4" Valve trim extension kit Extends 1-3/8" . Please specify finish.	\$190	\$259	\$311
	3-322	Diverter/Flow Control Trim Use with stop or diverter valves, see page 355.	\$246	\$334	\$400

VICTORIA - 1760, 1770



3-323 Diverter/Flow Control Trim
Use with stop or diverter valves, see page 355.

\$246 \$334 \$400



1-606U 1/2" inlet/outlet universal stop valve.
(clockwise off, for cross or lever handle)

\$195 — —

1-607U 3/4" inlet/outlet universal stop valve.
(clockwise off, for cross or lever handle)

\$265 — —



1-617 1/2" In-wall 2 & 3 way diverter valve
1 inlet, 3 outlets.**

\$279 — —

1/2" in-wall diverter valves* with:



*SEE PAGES 312-315
FOR HOW TO USE
THESE DIVERTERS.

1-701 3 function with off. 1 inlet, 3 outlets.**

\$334 — —

1-702 5 function with share and off. 1 inlet, 3 outlets.

\$334 — —

1-703 3 function with pause. 1 inlet, 3 outlets.**

\$334 — —

1-704 2 function with off. 1 inlet, 2 outlets.**

\$334 — —

1-705 3 function with share and off. 1 inlet, 2 outlets.

\$334 — —

1-706 2 function with pause. 1 inlet, 2 outlets.**

\$334 — —

1-707 3 function with share (no off). 1 inlet, 2 outlets.

\$334 — —



1600-1230 18" Towel Bar

\$154 \$185 \$251

1600-1250 24" Towel Bar

\$159 \$189 \$256



1600-1200 8" Towel Bar

\$143 \$167 \$228



1600-1660 Double Robe Hook

\$93 \$113 \$154



1600-1500 Double Post Toilet Tissue Holder

\$177

\$213

\$291

HOW TO ORDER: **STEP 1:** Select Decorative Rings and Mounting Kit
STEP 2: Select Grab Bar Tube



STEP 1: 920-2400 Decorative Rings and Mounting Kit

\$160

\$218

\$274

STEP 2:
 5080 12" Grab Bar Tube
 5081 16" Grab Bar Tube
 5082 18" Grab Bar Tube
 5083 24" Grab Bar Tube
 5085 36" Grab Bar Tube

\$140

\$206

\$230

\$166

\$233

\$293

\$187

\$260

\$285

\$224

\$301

\$347

\$330

\$410

\$485



920-3942 42" Grab Bar

\$599

\$781

\$944

Sold as complete unit



VICTORIA - 1760, 1770



Available Finishes:		PC	PN	SN
2622-24	24" Double Towel Bar	\$276	\$328	



Available Finishes:		PC	PN	SN
2609	Hanging Toilet Tissue Holder	\$186	\$220	



Available Finishes:		PC	PN	SN
2636T	12" Shelf With Towel Bar	\$225	\$259	



Available Finishes:		PC	PN	SN
2619T-24	24" Shelf with Towel Bar	\$300	\$360	



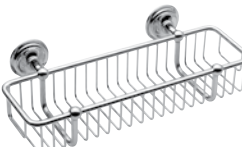
Available Finishes:		PC	PN	SN
2635T-24	24" Gallery Rail Shelf	\$300	\$360	




Available Finishes:		PC	PN	SN
26550	Soap Basket	\$197	\$236	



Available Finishes:		PC	PN	SN
26551	10" Toiletry Basket	\$322	\$382	




Available Finishes:		PC	PN	SN
26552	12" Toiletry Basket	\$402	\$481	



Available Finishes:		PC	PN	SN
26554	9" Corner Basket	\$340	\$407	



Available Finishes:		PC	PN	SN
2681	Single Light White Fabric Shade	\$239	\$281	



Available Finishes:		PC	PN	SN
2641	18.63" x 30.65" Overall Frameless Pivoting Mirror	\$452	\$519	



Available Finishes:		PC	PN	SN
2642	23.60" x 36.65" Overall Frameless Pivoting Mirror	\$485	\$554	

TUB/SHOWER

BALANCED PRESSURE TRIM SETS	PG 357
BODY SPRAYS	PG 343
DECORATIVE DRAINS	PG 324
DIVERTER/FLOW CONTROL TRIM.	PG 349
FREESTANDING TUB FILLERS	PG 321
HAND SHOWERS.	PG 333
HAND SHOWER SETS	PG 335
SHOWER ARM/FLANGES.	PG 329
SHOWERHEADS	PG 328
SHOWER PARTS	PG 340
SHOWER TRIM VALVES	PG 348
SLIDE BARS/SLIDE BARS WITH HANDSHOWERS	PG 337
TILE-IN DRAIN	PG 327
TUB SPOUTS	PG 344

<i>SPECIALTY BATHROOM ACCESSORIES</i>	PG 356
-------------------------------------------------	------------------------

<i>TANK LEVERS</i>	PG 361
------------------------------	------------------------

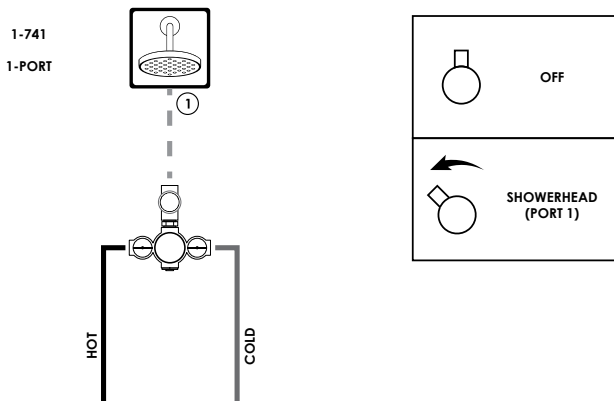
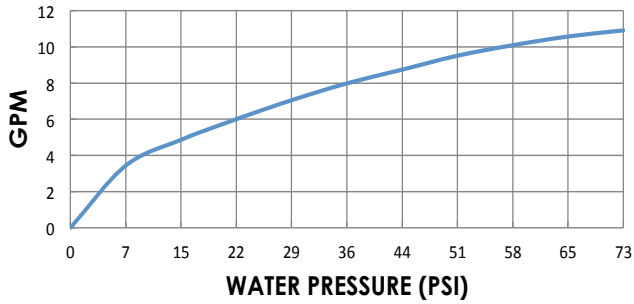
NEWPORT BRASS® Shower

1/2" GENERAL GUIDELINES FOR PLANNING AND LAYOUT

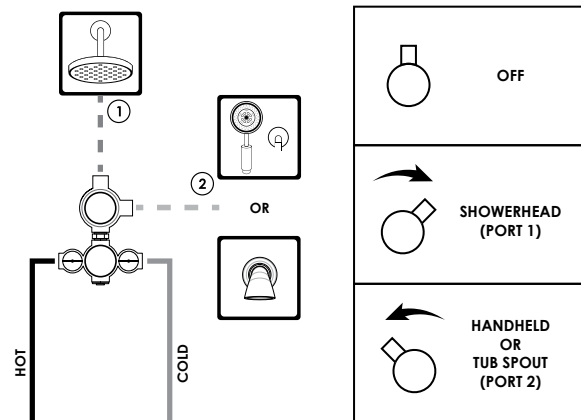
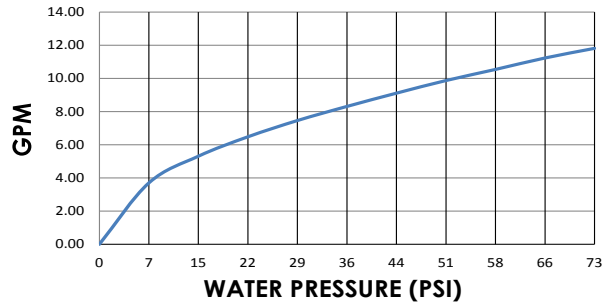
1/2" thermostatic valve will provide automatic temperature control and adequate water flow to operate multiple devices. The temperature control feature is independent of the integrated transfer valve.

The sum total of water consumption of the combined shower outlets must not exceed the rated gallons per minute (gpm) of the thermostatic valve (see flow charts below, as measured from the top outlet, mixed hot & cold).

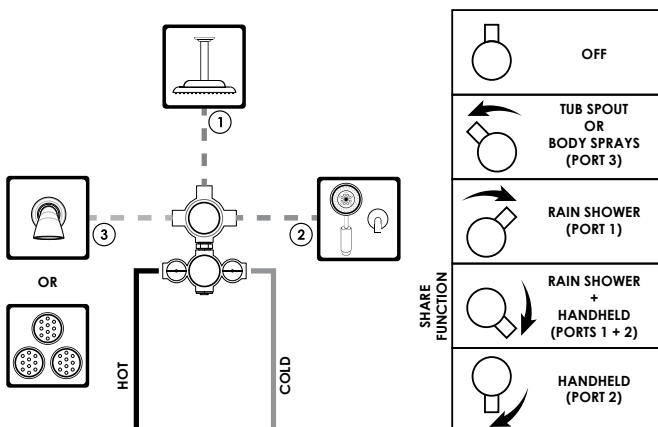
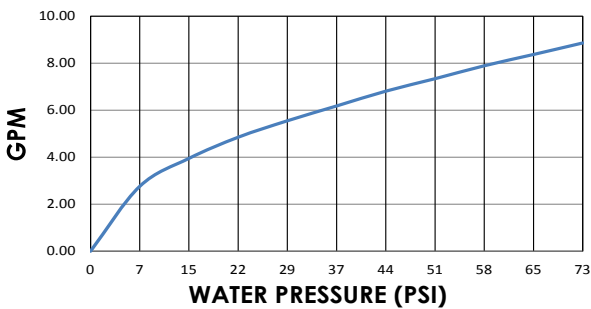
1-741 Thermostatic Valve



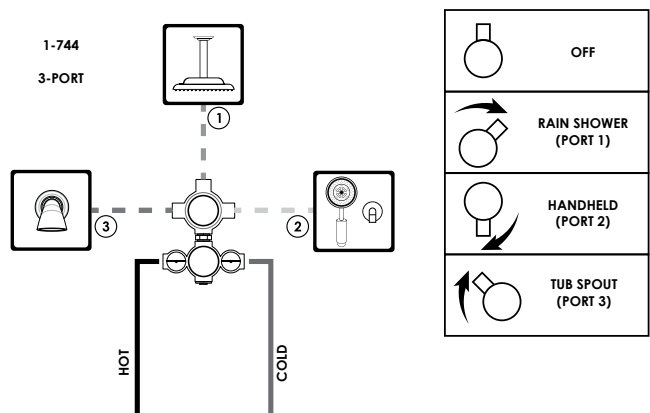
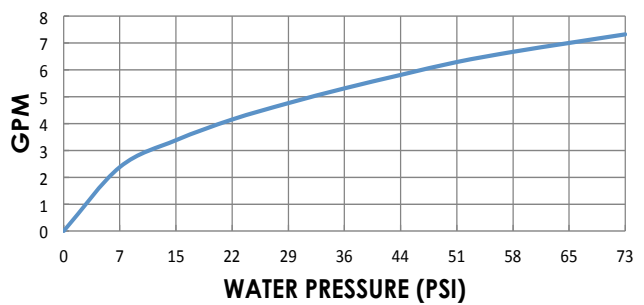
1-742 Thermostatic Valve



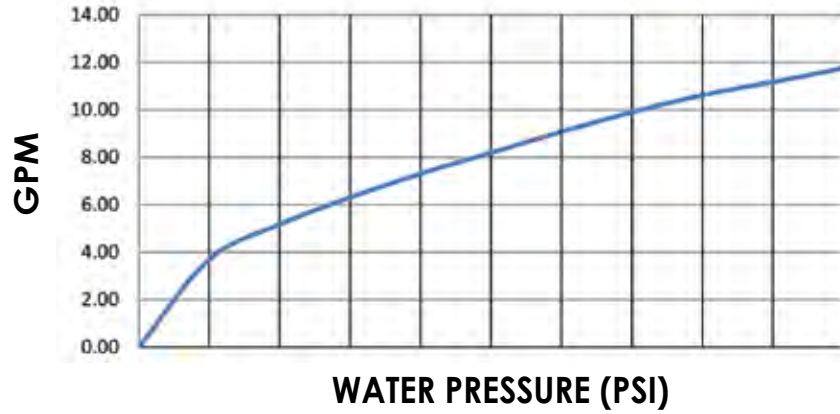
1-743 Thermostatic Valve



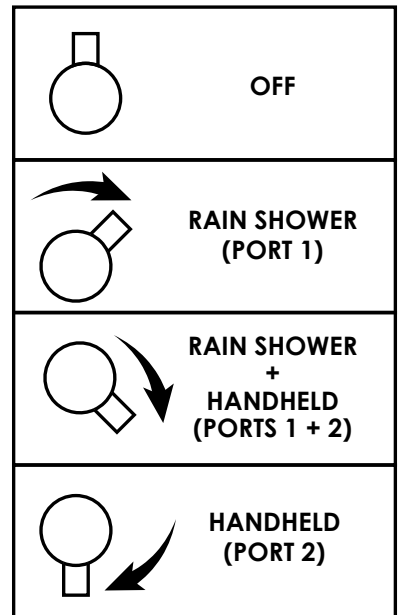
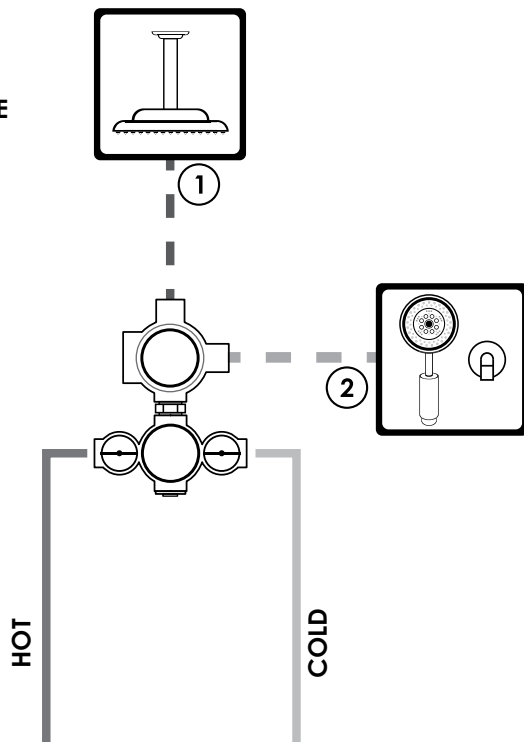
1-744 Thermostatic Valve



1-745 Thermostatic Valve



1-745
2-PORT w/ SHARE

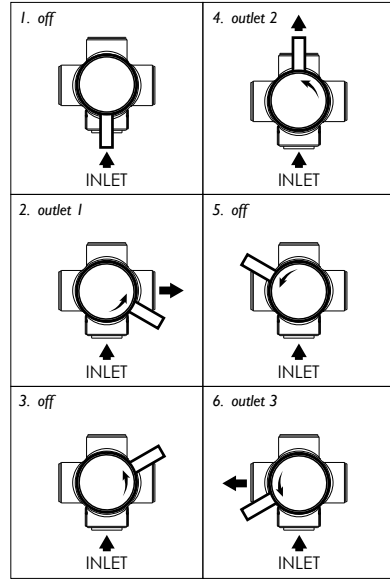
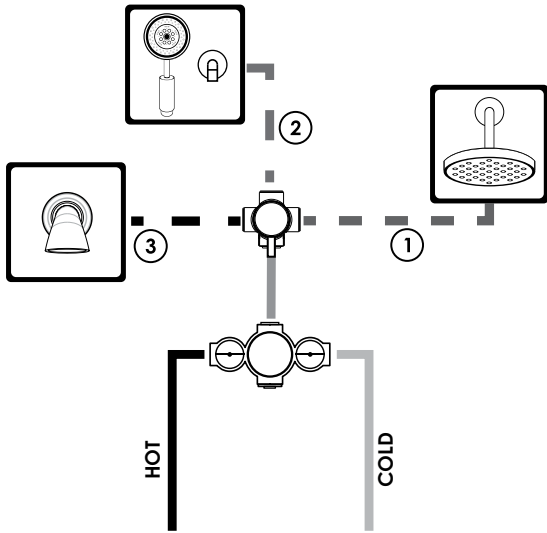


SHOWER

NEWPORT BRASS®

3 FUNCTION WITH OFF

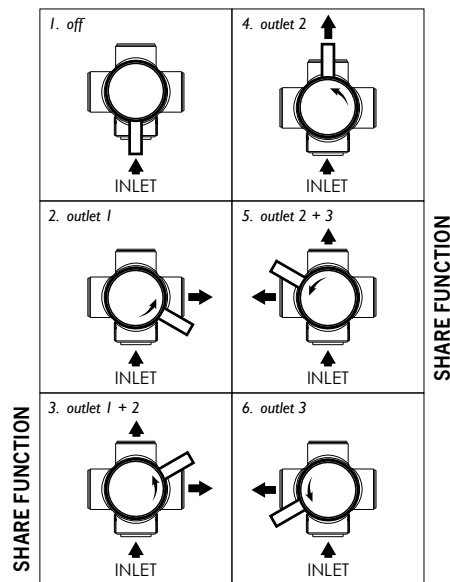
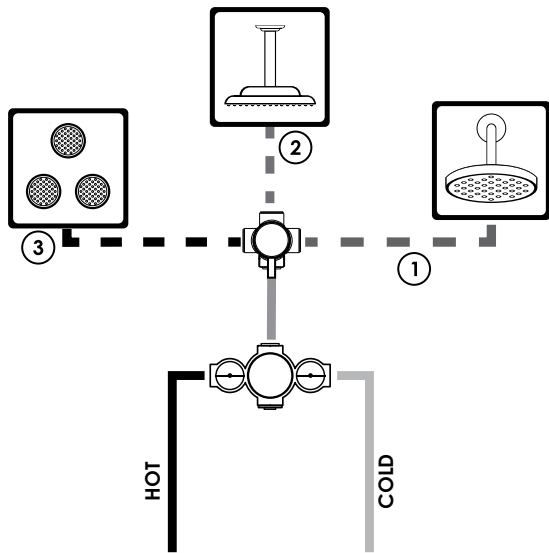
1-701



DESIGNED FOR USE WITH 3/4" THERMOSTATIC VALVE (1-540) SOLD SEPARATELY
NOT DESIGNED TO BE USED WITH BP VALVES

5 FUNCTION WITH SHARE AND OFF

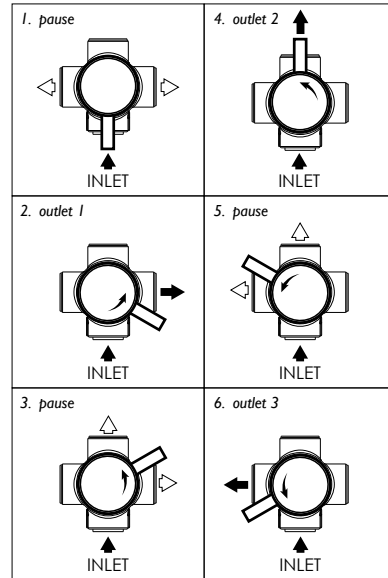
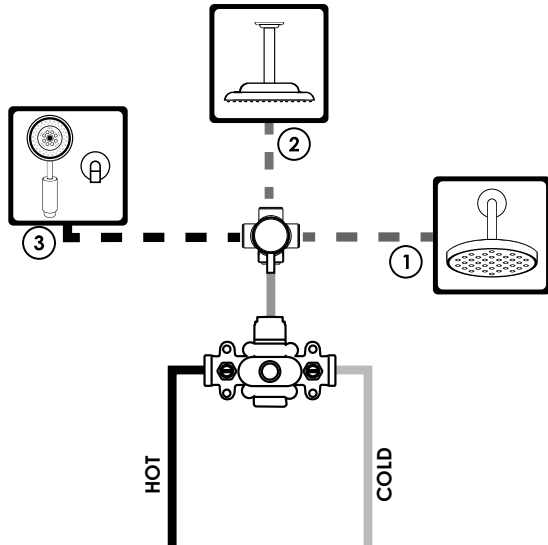
1-702



DESIGNED FOR USE WITH 3/4" THERMOSTATIC VALVE (1-540) SOLD SEPARATELY
NOT DESIGNED TO BE USED WITH BP VALVES

3 FUNCTION WITH PAUSE, FOR PRESSURE BALANCE SYSTEM

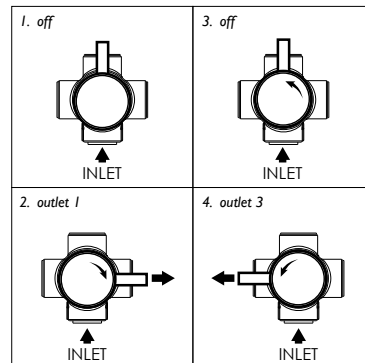
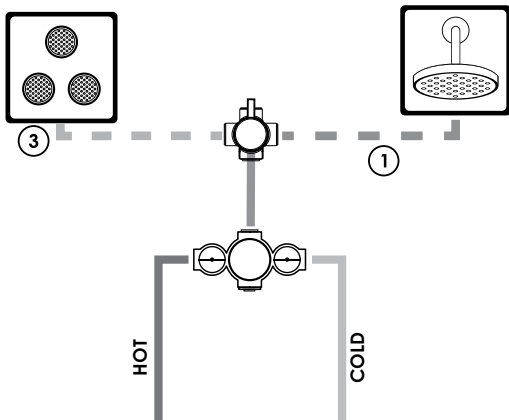
1-703



DESIGNED FOR USE WITH 3-PORT BP VALVE (1-684) SOLD SEPARATELY

2 FUNCTION WITH OFF

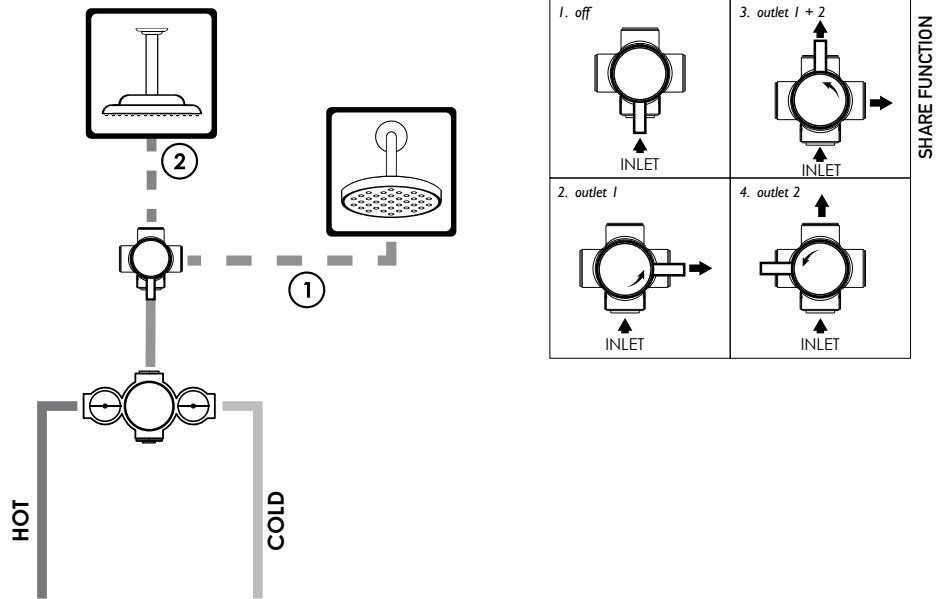
1-704



DESIGNED FOR USE WITH 3/4" THERMOSTATIC VALVE (1-540) SOLD SEPARATELY
NOT DESIGNED TO BE USED WITH BP VALVES

3 FUNCTION WITH SHARE AND OFF

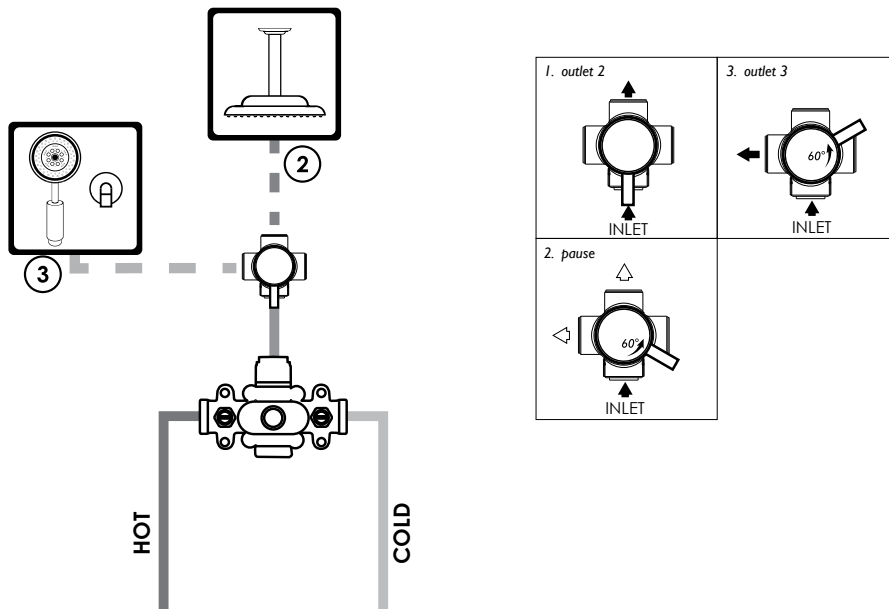
1-705



DESIGNED FOR USE WITH 3/4" THERMOSTATIC VALVE (1-540) SOLD SEPARATELY
NOT DESIGNED TO BE USED WITH BP VALVES

2 FUNCTION FOR PRESSURE BALANCE SYSTEM

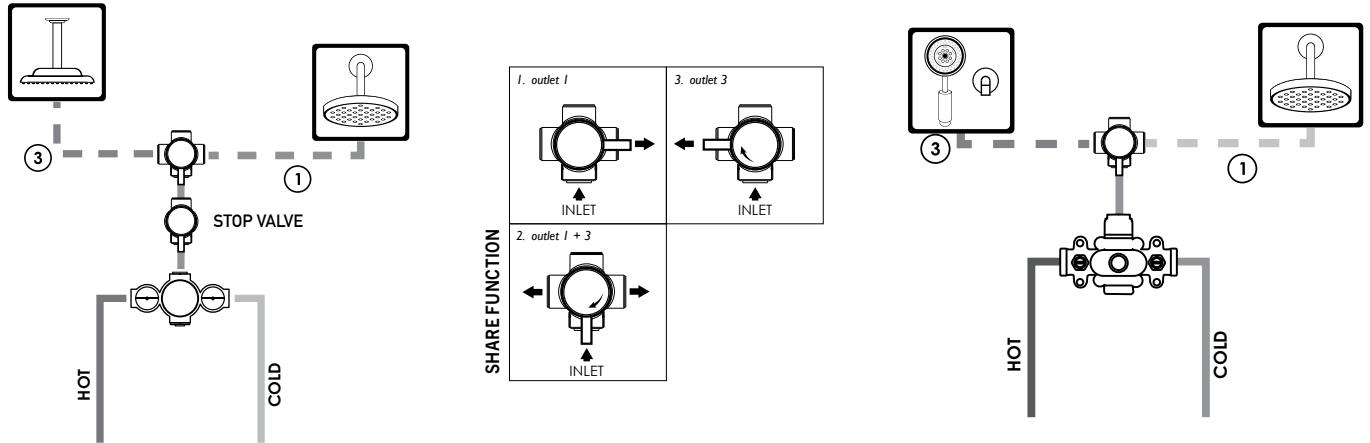
1-706



DESIGNED FOR USE WITH 3-PORT BP VALVE (1-684) SOLD SEPARATELY

3 FUNCTION WITH SHARE (NO OFF)

1-707



3/4" THERMOSTATIC VALVE 1-540 SETUP SHOWN ABOVE.
STOP VALVE REQUIRED. SOLD SEPARATELY.

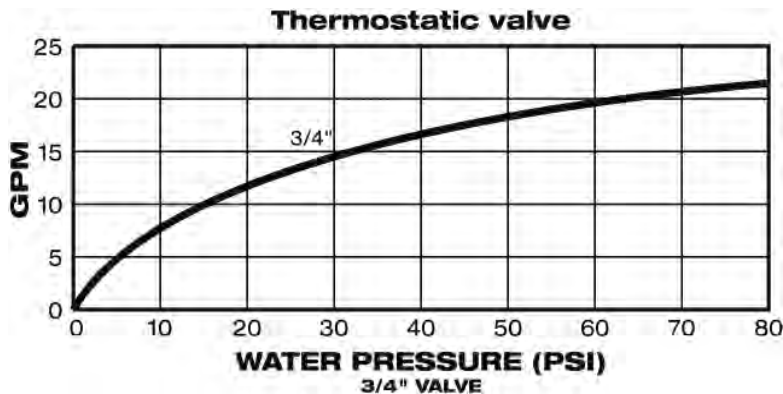
BALANCE PRESSURE SETUP
SHOWN ABOVE. BP VALVE 1-684 SOLD
SEPARATELY.

1/2" Diverter Spare Parts Pricing

1-355	Spare Cartridge for 1-701 - 3 function with off	\$192
1-356	Spare Cartridge for 1-702 - 5 function, with share and off	\$192
1-357	Spare Cartridge for 1-703 - 3 function with pause	\$192
1-358	Spare Cartridge - 6 function, no off Installation of the 1-358 cartridge requires a dedicated shut-off or stop valve as part of the shower system, sold separately.	\$192
1-478	Spare Cartridge for 1-704 - 2 function with off	\$192
1-479	Spare Cartridge for 1-705 - 3 function with share and off	\$192
1-480	Spare Cartridge for 1-706 - 2 function with pause	\$192
1-481	Spare Cartridge for 1-707 - 3 function with share (no off)	\$192
1-482	Plug Nut Assembly	\$53

3/4" GENERAL GUIDELINES FOR PLANNING AND LAYOUT

- 1) **Valve**—3/4" thermostatic valve. This valve will provide automatic temperature control and adequate water flow to operate multiple devices. The temperature control feature is not only a convenience but a safety consideration as well.
- 2) **Shower Outlets**—The sum total of water consumption of the combined shower outlets *must not exceed* the rated gallons per minute (gpm) of the thermostatic valve (see flow chart below).



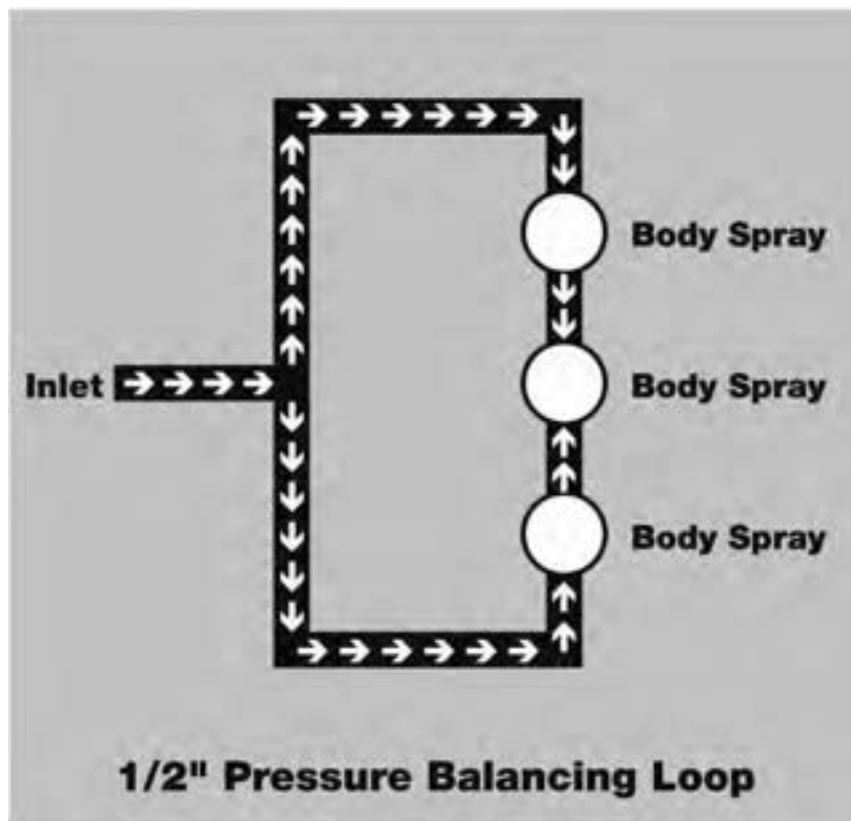
- 3) Exceeding the capacity of the valve will result in the reduction of the overall performance of the shower. Since water pressure directly facilitates optimum performance, Newport Brass recommends a minimum of 50 pounds per square inch (psi) for 3 or more outlets.

NOTE: In the case of a *well/pump system*, flow and pressure capacity may not accommodate a multi-component shower installation. Please consult a licensed plumber to ensure the supply you're working with is adequate.

- 4) **Removing flow restrictions** from showerheads or body sprays will upset the balance and the capacity of the valve and is a violation of national code.
- 5) When using more outlets than one thermostatic valve can accommodate, we recommend that 2 or more valves be used. If this is the case, Newport Brass suggests that the main water supply be 1" or larger.
- 6) Some plumbers 'tee' from one set of hot and cold supplies to accommodate more than one valve. This practice is *not recommended*. This situation requires that each valve be plumbed directly from the main water supply. It should be noted that the use of a 'tee' could cause fluctuations in temperature and water flow.

3/4" GENERAL GUIDELINES FOR PLANNING AND LAYOUT

- 7) **Volume Controls**—Most custom showers are designed with separate on/off volume controls for each outlet device. As with the other outlet devices, the volume controls also have their own flow rates. Newport Brass suggests using 3/4" volume control valves. Where cost is concerned 1/2" volume controls can be used, however, a reduction in the flow rate will result.
- 8) **Body Sprays**—It is recommended that a 1/2" pressure-balancing loop be plumbed for 2 or more body sprays. This technique will allow equal flow rates and temperature to each body spray. Please refer to diagram below.

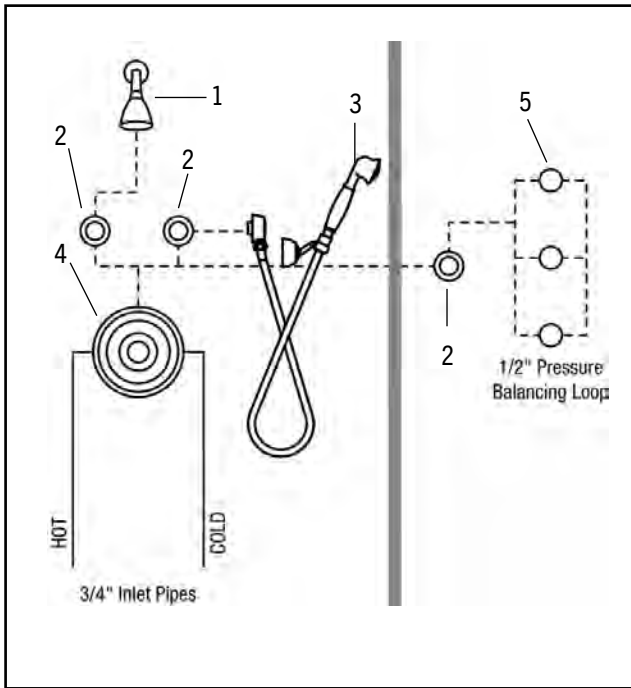


Note: Pressure-Balance Loop should be used on each shower bar installed.

Designing the Custom Shower

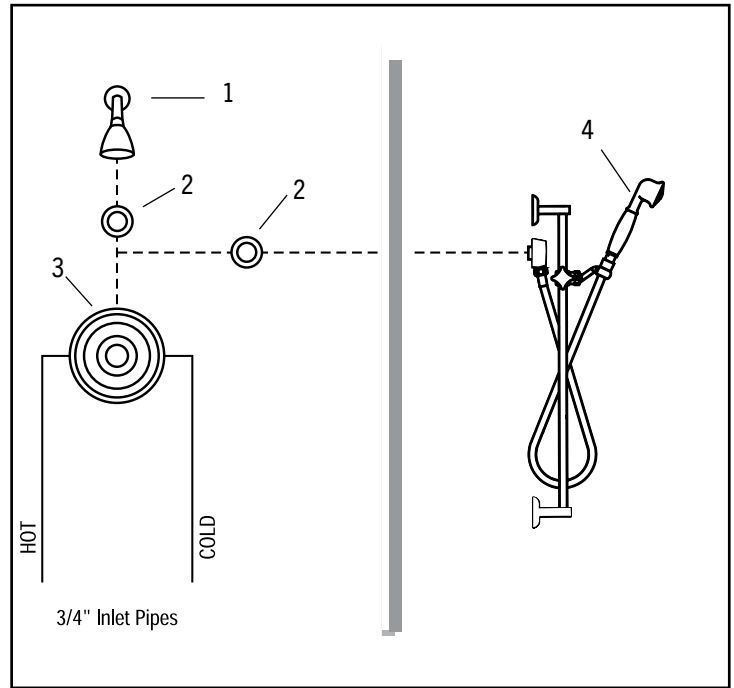
Please refer to the custom shower configuration examples on the following pages for reference and client presentation purposes on your next project.

TWO-WALL POWER SYSTEM



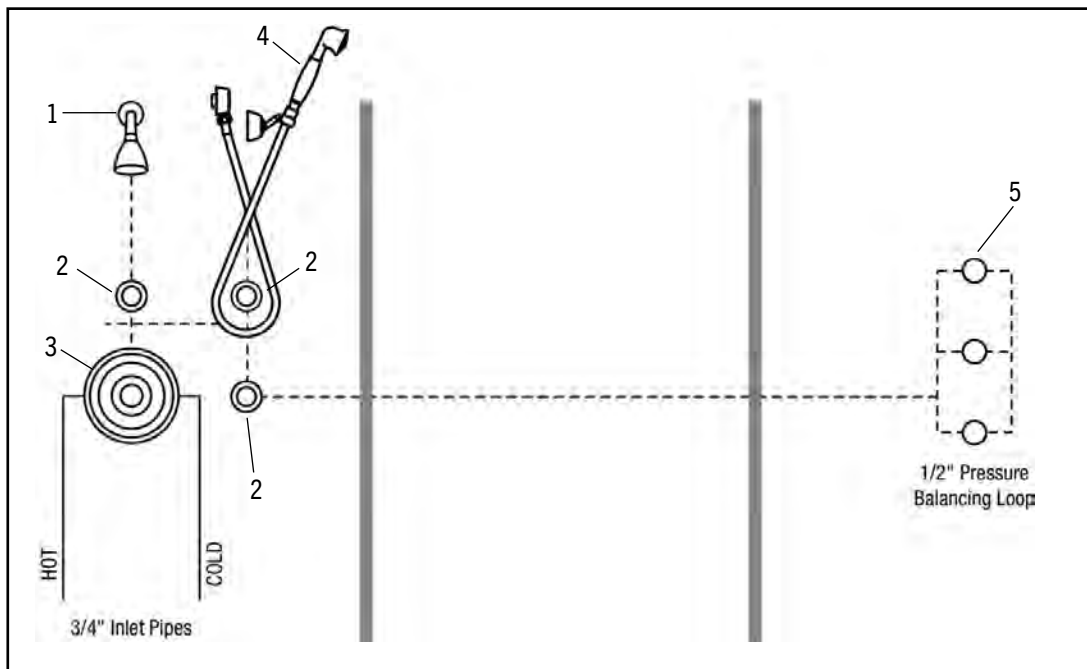
- 1) SHOWERHEAD
- 2) VOLUME CONTROL (3 ea.)
- 3) HAND SHOWER
- 4) THERMOSTATIC VALVE
- 5) BODY SPRAY (3 ea.)

TWO-WALL SYSTEM



- 1) SHOWERHEAD
- 2) VOLUME CONTROL (2 ea.)
- 3) THERMOSTATIC VALVE
- 4) HAND SHOWER KIT

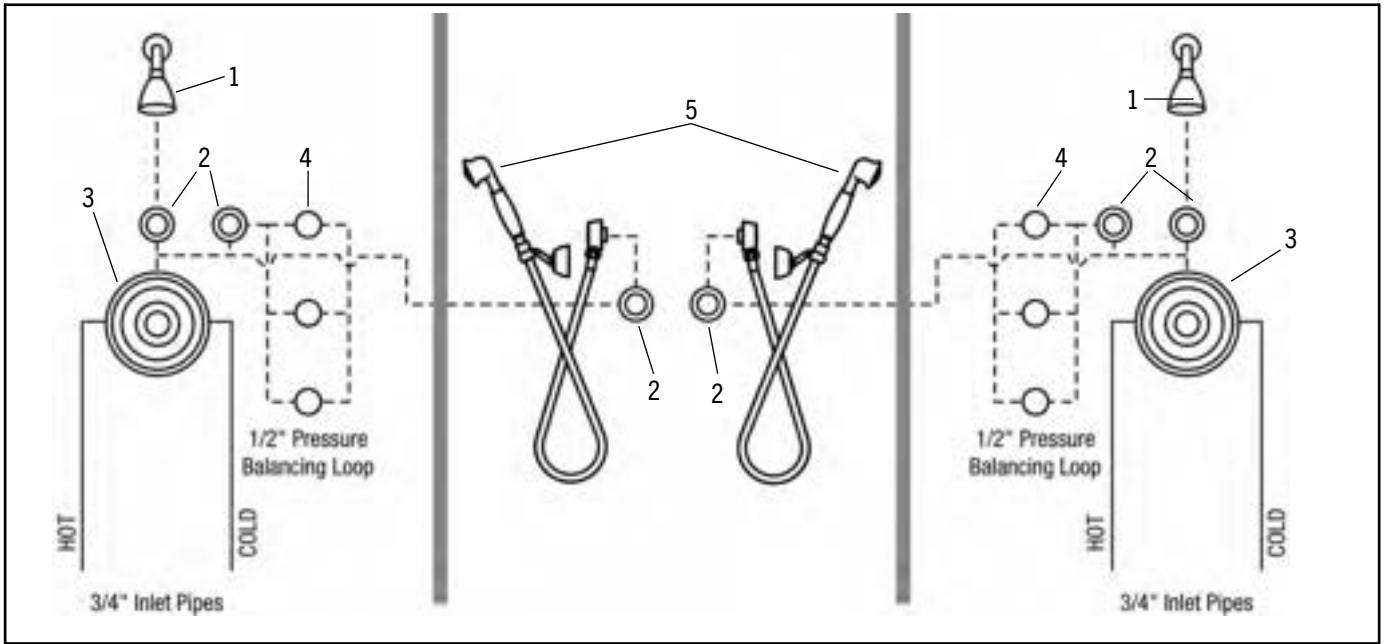
OPPOSITE WALLS SYSTEM



- 1) SHOWERHEAD
- 2) VOLUME CONTROL (3 ea.)
- 3) THERMOSTATIC VALVE
- 4) HAND SHOWER
- 5) BODY SPRAY (3 ea.)

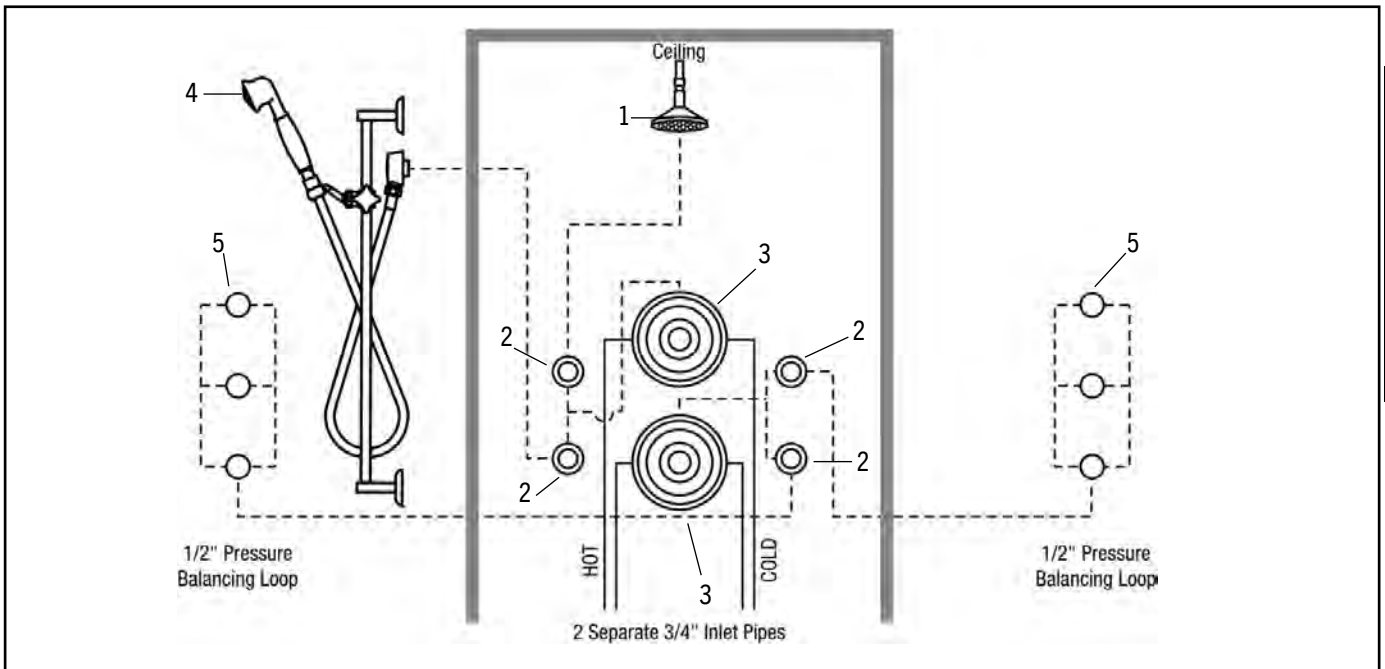
NEWPORT BRASS.

THREE-WALL HIS/HERS



- 1) SHOWERHEAD (2 ea.)
- 2) VOLUME CONTROL (6 ea.)
- 3) THERMOSTATIC VALVE (2 ea.)
- 4) BODY SPRAY (6 ea.)
- 5) HAND SHOWER (2 ea.)

THREE-WALL & CEILING SYSTEM



- 1) CEILING SHOWERHEAD
- 2) VOLUME CONTROL (4 ea.)
- 3) THERMOSTATIC VALVE (2 ea.)
- 4) HAND SHOWER KIT
- 5) BODY SPRAY (6 ea.)

3/4" Thermostatic Valve

Newport Brass is pleased to provide you with the following *Component Price List and Shower System Planner* for your convenience.

These pages will provide you with all of the tools needed to create a versatile and unique showering environment.

Custom shower installations can be confusing. But they don't have to be as long as you keep a few simple things in mind.

Please refer to "General Guidelines for Planning and Layout" and create your new shower system by following these easy steps:

- 1) Select "In-Wall Plumbing Products" for rough valve pricing.
- 2) Select design series/finish with Round or Square Trim Plate.
- 3) Select shower system components.

Please refer to Shower System Planner.

Example: **Two-Wall Power System—
Matches Astor Series in Satin Nickel Finish**

Quantity	Part	Description
1	3-924TR/15S	Round Trim Plate/Handle for 3/4" Thermo Valve
1	211/15S	Showerhead
3	3-163/15S	Trim Kit for Volume Control (Stop Valves)
1	288/15S	Supply Outlet with Holder for Handshower
1	284/15S	Handshower Hose, 59"
1	281/15S	Handshower with Smooth Handle
3	2170/15S	Body Spray
1	1-540	3/4" Thermostatic Rough-In Valve
3	1-607U	3/4" Volume Control (Stop Valves) Roughs

FREESTANDING TUB FILLERS

I II III



930-4261 Free Standing Tub Filler \$2,276 \$2,883 \$3,738
 35.95" (91.3cm) spout height at outlet (from floor).
 8.72" (22.1cm) spout reach (c-c).
 41.93" overall height.
 Single handle flow/temperature control
 Includes 3/4" braided steel supply line connectors
 Includes 3/4" to 1/2" supply line adapter
 Meets AMSE A112.18.1/CSA B125.1 requirements
 9.25 gallons (35 liters) per minute maximum flow rate (spout).
 1.8 gallons (6.8 liters) per minute maximum flow rate (hand shower).

Matches Chesterfield Series.

NOTE:

Switching the handshower is not an option on finishes 15, 15S, and 26.



15, 15S & 26 FINISH

ALL OTHER FINISHES

1400-4261 Free Standing Tub Filler \$2,276 \$2,883 \$3,738
 36.53" (92.7cm) spout height at outlet (from floor).
 10.05" (25.5cm) spout reach (c-c).
 40.37" overall height.
 Single handle flow/temperature control
 Includes 3/4" braided steel supply line connectors
 Includes 3/4" to 1/2" supply line adapter
 Meets AMSE A112.18.1/CSA B125.1 requirements
 9.25 gallons (35 liters) per minute maximum flow rate (spout).
 1.8 gallons (6.8 liters) per minute maximum flow rate (hand shower).

Matches East Square Series.

NOTE:

15, 15S, 26 finishes include handshower item 3-459.
 All other finishes include handshower item #283-101.
 Switching the handshower is not an option on finishes 15, 15S, and 26

SHOWER

FREESTANDING TUB FILLERS

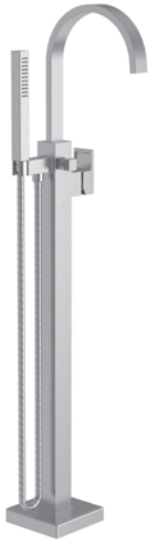
I

II

III



15, 15S &
26 FINISH



ALL OTHER
FINISHES

2040-4261 Free Standing Tub Filler \$2,276 \$2,883 \$3,738

37.99" (96.5cm) spout height at outlet (from floor).
8.66" (22.0cm) spout reach (c-c).
43" overall height.
Single handle flow/temperature control
Includes 3/4" braided steel supply line connectors
Includes 3/4" to 1/2" supply line adapter
Meets AMSE A112.18.1/CSA B125.1 requirements

NOTE:

15, 15S, 26 finishes include handshower item 3-453.
All other finishes include handshower item #283-102.
Switching the handshower is not an option on finishes 15,
15S, and 26



15, 15S &
26 FINISH



ALL OTHER
FINISHES

2480-4261 Free Standing Tub Filler \$2,276 \$2,883 \$3,738

38.03" (96.6cm) spout height at outlet (from floor).
8.66" (22.0cm) spout reach (c-c).
43" overall height.
Single handle flow/temperature control
Includes 3/4" braided steel supply line connectors
Includes 3/4" to 1/2" supply line adapter
Meets AMSE A112.18.1/CSA B125.1 requirements
9.25 gallons (35 liters) per minute maximum flow rate (spout).
1.8 gallons (6.8 liters) per minute maximum flow rate (hand shower).

Matches East Linear and Priya Series.

NOTE:

15, 15S, 26 finishes include handshower item 3-459.
All other finishes include handshower item #283-101.
Switching the handshower is not an option on finishes 15,
15S, and 26

FREESTANDING TUB FILLERS

I

II

III



15, 15S & 26 FINISH

ALL OTHER FINISHES

2560-4261 Free Standing Tub Filler \$2,276 \$2,883 \$3,738
 38.02" (96.6cm) spout height at outlet (from floor).
 7.86" (19.9cm) spout reach (c-c).
 39.49" overall height.
 Single handle flow/temperature control
 Includes 3/4" braided steel supply line connectors
 Includes 3/4" to 1/2" supply line adapter
 Meets AMSE A112.18.1/CSA B125.1 requirements
 9.25 gallons (35 liters) per minute maximum flow rate (spout).
 1.8 gallons (6.8 liters) per minute maximum flow rate (hand shower).

Matches Metro and Skylar Series.

NOTE:

15, 15S, 26 finishes include handshower item 3-459.
 All other finishes include handshower item #283-101.
 Switching the handshower is not an option on finishes 15, 15S, and 26



1-339 Optional Rough for Freestanding Tub Filler \$323 — —
 For subfloor and concrete floor installations.
 4.53" overall height.
 7.20" overall base diameter.
 Universal 3/4" NPT and 1/2" direct sweat connections.
 Test caps included.

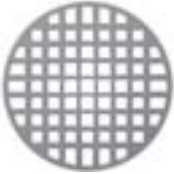




SHOWER

DECORATIVE DRAINS


HOW TO ORDER

- STEP 1: Select Shower Drain
 STEP 2: Select Required Drain Throat #277-03
 STEP 3: Select Drain Body (If Required)







STEP 1

4" Round Drains	243-401	243-403	243-404	243-405	243-406
Description	4" Shower Drain	4" Shower Drain	4" Shower Drain	4" Shower Drain	4" Shower Drain
Image					
Pricing	I \$279 II \$352 III \$419	I \$279 II \$352 III \$419	I \$279 II \$352 III \$419	I \$279 II \$352 III \$419	I \$279 II \$352 III \$419

STEP 2

Required Accessory	277-03
Description	4" Round Shower Drain Throat 2" IPS Outlets
Image	
Pricing	\$119

STEP 3



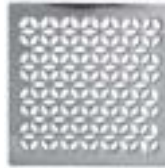


Optional Accessories	278-01	278A-01	278P-01	277-01A	277-01-E	1-288
Description	Drain Body, Cast Iron 2" Inlet, IPS 2" Outlet	Drain Body, ABS 2" Inlet, IPS 2" Solvent Weld Outlet	Drain Body, PVC 2" Inlet, IPS 2" Solvent Weld Outlet	2" Adapter Kit Cast Iron	Drain Throat Extension for 2" Inlet	2" No-Hub Coupling
Image						
Pricing	\$87	\$75	\$75	\$70	\$119	\$40


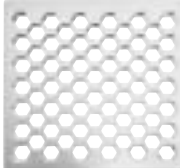

DECORATIVE DRAINS

HOW TO ORDER

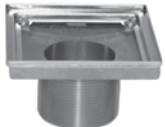
- STEP 1: Select Shower Drain
- STEP 2: Select Required Drain Throat #277-01
- STEP 3: Select Drain Body (If Required)

STEP 1

4" Square Drains	233-401	233-402	233-403	233-404	233-405
Description	4" Shower Drain	4" Shower Drain	4" Shower Drain	4" Shower Drain	4" Shower Drain
Image					
Pricing	I II III \$279 \$352 \$419	I II III \$279 \$352 \$419	I II III \$279 \$352 \$419	I II III \$279 \$352 \$419	I II III \$279 \$352 \$419







4" Square Drains	233-406	233-407	233-408
Description	4" Shower Drain	4" Shower Drain	4" Shower Drain
Image			
Pricing	I II III \$279 \$352 \$419	I II III \$279 \$352 \$419	I II III \$279 \$352 \$419

STEP 2

Required Accessory	277-01
Description	4" Square Shower Drain Throat 2" IPS Outlet
Image	
Pricing	\$113

SHOWER

STEP 3






Optional Accessories	278-01	278A-01	278P-01	277-01A	277-01-E	1-288
Description	Drain Body, Cast Iron 2" Inlet, IPS 2" Outlet	Drain Body, ABS 2" Inlet, IPS 2" Solvent Weld Outlet	Drain Body, PVC 2" Inlet, IPS 2" Solvent Weld Outlet	2" Adapter Kit Cast Iron	Drain Throat Extension for 2" Inlet	2" No-Hub Coupling
Image						
Pricing	\$87	\$75	\$75	\$70	\$119	\$40



DECORATIVE DRAINS

HOW TO ORDER


- STEP 1: Select Shower Drain
 STEP 2: Select Required Drain Throat #277-02
 STEP 3: Select Drain Body (If Required)

STEP 1







6" Square Drains	233-601	233-602	233-603	233-604	233-605
Description	6" Shower Drain	6" Shower Drain	6" Shower Drain	6" Shower Drain	6" Shower Drain
Image					
Pricing	I II III \$317 \$395 \$474	I II III \$317 \$395 \$474	I II III \$317 \$395 \$474	I II III \$317 \$395 \$474	I II III \$317 \$395 \$474

6" Square Drains	233-606	233-607
Description	6" Shower Drain	6" Shower Drain
Image		
Pricing	I II III \$317 \$395 \$474	I II III \$317 \$395 \$474

STEP 2

Required Accessory	277-02
Description	6" Square Shower Drain Throat 4" IPS Outlet
Image	
Pricing	\$171

STEP 3

Optional Accessories	278-02	278A-02	278P-02	277-02A	277-02-E	1-288
Description	Drain Body, Cast Iron 4" Inlet, IPS 2" Outlet	Drain Body, ABS 4" Inlet, IPS 2" Solvent Weld Outlet	Drain Body, PVC 2" Inlet, IPS 2" Solvent Weld Outlet	2" Adapter Kit Cast Iron	Drain Throat Extension for 4" Inlet	2" No-Hub Coupling
Image						
Pricing	\$120	\$109	\$109	\$85	\$149	\$40



TILE IN DRAIN

I II III







HOW TO ORDER

- STEP 1: Customer Selects Desired Tile (not included)
- STEP 2: Select Required Drain Rough #277-04 or #277-06
- STEP 3: Select Drain Body (If Required)







STEP 2

Required Accessory	277-04	277-06
Description	4" Tile in Drain Throat	6" Tile in Drain Throat
Image		
Pricing	I II III \$411 \$ 556 \$ 638	I II III \$462 \$636 \$711

STEP 3 FOR 277-04 (4" DRAIN THROAT)

Optional Accessories	278-01	278A-01	278P-01	277-01A	277-01-E	1-288
Description	Drain Body, Cast Iron 2" Inlet, IPS 2" Outlet	Drain Body, ABS 2" Inlet, IPS 2" Solvent Weld Outlet	Drain Body, PVC 2" Inlet, IPS 2" Solvent Weld Outlet	2" Adapter Kit Cast Iron	Drain Throat Extension for 2" Inlet	2" No-Hub Coupling
Image						
Pricing	\$87	\$75	\$75	\$70	\$119	\$40

STEP 3 FOR 277-06 (6" DRAIN THROAT)

Optional Accessories	278-02	278A-02	278P-02	277-02A	277-02-E	1-288
Description	Drain Body, Cast Iron 4" Inlet, IPS 2" Outlet	Drain Body, ABS 4" Inlet, IPS 2" Solvent Weld Outlet	Drain Body, PVC 2" Inlet, IPS 2" Solvent Weld Outlet	2" Adapter Kit Cast Iron	Drain Throat Extension for 4" Inlet	2" No-Hub Coupling
Image						
Pricing	\$120	\$109	\$109	\$85	\$149	\$40

SHOWER

SHOWERHEAD, ARMS & FLANGES

CUSTOMIZE YOUR SHOWER

STEP 1: Select Showerhead. All are 1.8 Gallons (6.8 liters) per minute maximum flow rate.

STEP 2: Select Shower Arm.

STEP 3: Select Shower Flange.

-OR-

STEP 4: Select Nipple & Escutcheon Kit.

STEP 1

Showerhead 1/2" NPT	211	212	214	2141	2142
Description	3.5" Diameter 8 Shower Jets	2.75" Diameter 6 Shower Jets	5.5" Diameter, Single Function, 29 Spray Jets	6" Diameter Single Function	6" Diameter Single Function
Image					
Pricing	I II III \$387 \$541 \$648	I II III \$301 \$410 \$492	I II III \$846 \$1,074 \$1,290	I II III \$494 \$620 \$802	I II III \$494 \$620 \$802

Showerhead 1/2" NPT	2143	2144	2154	2155	2156
Description	6" Diameter, Multifunction, 3 Spray Modes	6" Diameter, Multifunction, 3 Spray Modes	8" x 3" Single Function	4" Diameter, Multifunction, 3 Spray Patterns	4.25" Diameter 3 Spray Patterns
Image					
Pricing	I II III \$559 \$699 \$909	I II III \$559 \$699 \$909	I II III \$620 \$772 \$964	I II III \$257 \$334 \$384	I II III \$257 \$334 \$384

Showerhead 1/2" NPT	2157	2158	2159
Description	8.5" Diameter, Multifunction, 3 Spray Modes	8.5" Diameter, Multifunction, 3 Spray Modes	8" Square, Multifunction, 3 Spray Modes
Image			
Pricing	I II III \$581 \$757 \$908	I II III \$581 \$757 \$908	I II III \$581 \$757 \$908

SHOWERHEAD, ARMS & FLANGES

CUSTOMIZE YOUR SHOWER

STEP 1: Select Showerhead. *All are 1.8 Gallons (6.8 liters) per minute maximum flow rate.*

STEP 2: Select Shower Arm.

STEP 3: Select Shower Flange.




-OR-

STEP 4: Select Nipple & Escutcheon Kit.

STEP 2

Shower Arm 1/2" NPT	200	201	201-1	201-2	200-2001
Description	6" Shower Arm	7.5" Shower Arm	8" Shower Arm with Flange	9" Shower Arm	18" Shower Arm
Image					
Pricing	I II III \$60 \$85 \$105	I II III \$67 \$95 \$113	I II III \$277 \$378 \$415	I II III \$306 \$413 \$473	I II III \$328 \$431 \$510

Shower Arm 1/2" NPT	202	2021	202-1	201-1001	203
Description	90° 12" Shower Arm	90° 18" Shower Arm	90° 12" Shower Arm 2.5" Height	12" Shower Arm	9" Shower Arm
Image					
Pricing	I II III \$104 \$135 \$154	I II III \$134 \$165 \$197	I II III \$292 \$368 \$408	I II III \$415 \$466 \$576	I II III \$85 \$110 \$129

Shower Arm 1/2" NPT	200-1001	205	208
Description	12" Shower Arm	"S" Shower Arm Raises Showerhead 10"	7.5" Shower Arm
Image			
Pricing	I II III \$112 \$140 \$159	I II III \$117 \$156 \$187	I II III \$226 \$294 \$338

SHOWERHEAD, ARMS & FLANGES

CUSTOMIZE YOUR SHOWER

STEP 3

STEP 1: Select Showerhead. *All are 1.8 Gallons (6.8 liters) per minute maximum flow rate.*

STEP 2: Select Shower Arm.



STEP 3: Select Shower Flange.

-OR-

STEP 4: Select Nipple & Escutcheon Kit.

1/2" Shower Flange	206	206-1	207	2-332
Description	2-3/8" Outer Diameter	2-1/4" Outer Diameter	2-3/8" Outer Diameter	2-3/8" Outer Diameter
Image				
Pricing	I II III \$46 \$51 \$57	I II III \$46 \$51 \$57	I II III \$46 \$51 \$57	I II III \$124 \$167 \$188

1/2" Shower Flange	2-503	2-640
Description	2-3/8" Outer Diameter	2-1/2" Square
Image		
Pricing	I II III \$46 \$51 \$57	I II III \$124 \$167 \$188


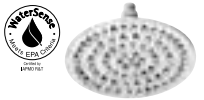


3/4" Shower Flange	2-221	206-301	206-302
Description	2-3/8" Outer Diameter	2.5" Outer Diameter	2-1/4" Outer Diameter
Image			
Pricing	I II III \$124 \$167 \$188	I II III \$124 \$167 \$188	I II III \$124 \$167 \$188


SHOWERHEAD, ARMS & FLANGES

CUSTOMIZE YOUR SHOWER

- STEP 1: Select Showerhead. *All are 1.8 Gallons (6.8 liters) per minute maximum flow rate.*
 STEP 2: Select Shower Arm.
 STEP 3: Select Shower Flange.
 -OR-
 STEP 4: Select Nipple & Escutcheon Kit.


STEP 1

1/2" NPT Overhead Showerheads	2091	215	2152	2153
Description	8" Diameter Single Function	9" Diameter Single Function	9" Diameter Single Function	9" Diameter Single Function
Image				
Pricing	I II III \$594 \$802 \$962	I II III \$1,016 \$1,474 \$1,741	I II III \$989 \$1,236 \$1,604	I II III \$989 \$1,236 \$1,604

3/4" NPT Overhead Showerheads	2092
Description	12" Diameter Single Function
Image	
Pricing	I II III \$831 \$1,119 \$1,347

STEP 2

1/2" NPT Shower Arm	202	2021
Description	90° 12" Shower Arm 5" Height	90° 18" Shower Arm 5" Height
Image		
Pricing	I II III \$104 \$135 \$154	I II III \$134 \$165 \$197

1/2" NPT Nipple	200-7102 - 2" 200-7104 - 4" 200-7106 - 6" 200-7108 - 8" 200-7110 - 10"	200-7112 - 12" 200-7118 - 18"	200-7124 - 24" 200-7130 - 30"
Description	Nipple	Nipple	Nipple
Image			
Pricing	I II III \$67 \$84 \$101	I II III \$116 \$156 \$187	I II III \$148 \$207 \$229

SHOWERHEAD, ARMS & FLANGES

CUSTOMIZE YOUR SHOWER

STEP 1: Select Showerhead. *All are 1.8 Gallons (6.8 liters) per minute maximum flow rate.*

STEP 2: Select Shower Arm.

STEP 3: Select Shower Flange.

-OR-

STEP 4: Select Nipple & Escutcheon Kit.

3/4" NPT Nipple	200-8102 - 2" 200-8104 - 4" 200-8106 - 6" 200-8108 - 8" 200-8110 - 10"	200-8112 - 12" 200-8118 - 18"	200-8124 - 24" 200-8130 - 30"
Description	Nipple	Nipple	Nipple
Image			
Pricing	I II III \$81 \$110 \$126	I II III \$130 \$175 \$203	I II III \$163 \$238 \$268

1/2" NPT Nipple & Escutcheon	517-2 - 2" 517-4 - 4" 517-6 - 6" 517-8 - 8" 517-10 - 10"	517-12 - 12" 517-18 - 18"	517-24 - 24" 517-30 - 30"	517-36 - 36" 517-42 - 42"
Description	Nipple & Escutcheon	Nipple & Escutcheon	Nipple & Escutcheon	Nipple & Escutcheon
Image				
Pricing	I II III \$128 \$170 \$204	I II III \$172 \$235 \$279	I II III \$212 \$284 \$341	I II III \$261 \$355 \$425

3/4" NPT Nipple & Escutcheon	516-2 - 2" 516-4 - 4" 516-6 - 6" 516-8 - 8" 516-10 - 10"	516-12 - 12" 516-18 - 18"	516-24 - 24" 516-30 - 30"	516-36 - 36" 516-42 - 42"
Description	Nipple & Escutcheon	Nipple & Escutcheon	Nipple & Escutcheon	Nipple & Escutcheon
Image				
Pricing	I II III \$141 \$188 \$228	I II III \$200 \$271 \$322	I II III \$247 \$335 \$404	I II III \$311 \$419 \$501

HAND SHOWERS

I II III



280 Single Function Hand Shower
Grooved Brass Handle.

\$215 \$290 \$338



281 Single Function Hand Shower
Smooth Brass Handle.
Solid Brass. Without Hose.

\$215 \$290 \$338



281-1 Traditional Multifunctional Hand Shower
3-spray patterns: Spray, Rain & Massage.

\$482 \$650 \$743

Does not work with bracket on item No. 287, 288 and 292.



283 Single Function Hand Shower

\$301 \$449 \$554



283-101 Single Function Hand Shower
Round, Contemporary.

\$301 \$449 \$554



283-102 Single Function Hand Shower
Square, Contemporary.

\$301 \$449 \$554



283-2 Single Function Hand Shower

\$301 \$449 \$554



283-201 Single Function Hand Shower

\$301 \$449 \$554

HAND SHOWERS

I

II

III



283-3

Contemporary Multifunctional Hand Shower
3-spray patterns: Spray, Rain & Massage.
Hose not included.

\$482

\$650

\$743

Does not work with bracket on item No. 287, 288 and 292.



283-4

Contemporary Single Function Hand Shower

\$471

\$638

\$734

Does not work with bracket on item # 287, 288 and 292.



283-5

Traditional Single Function Hand Shower

\$471

\$638

\$734

Does not work with bracket on item # 287, 288 and 292.

HAND SHOWER SETS

I II III



280A

Wall-Mounted Hand Shower Kit
Diverts from in-wall supply using diverter valve.
Consists of No. 280 Hand Shower, No. 284 Hose,
No. 285 Supply Elbow, and No. 287 Wall Bracket.

\$552

\$767

\$917



281A

Wall-Mounted Hand Shower Kit
Diverts from in-wall supply using diverter valve.
Consists of No. 281 Hand Shower, No. 284 Hose,
No. 285 Supply Elbow, and No. 287 Wall Bracket.

\$552

\$767

\$917



280G

Traditional Hand Shower Set
Includes:
No. 281-1 Traditional Multifunction Hand Shower
No. 284 Braided Hose
No. 285-1 Supply Elbow
No. 297 Coordinating Wall Bracket

\$856

\$1,157

\$1,327



280H

Contemporary Hand Shower Set
Includes:
No. 283-3 Contemporary Multifunction Hand Shower
No. 284 Braided Hose
No. 285-2 Supply Elbow
No. 296 Coordinating Wall Bracket

\$856

\$1,157

\$1,327



280J

Contemporary Hand Shower Set
Includes:
No. 283-4 Contemporary Single Function Hand Shower
No. 284 Braided Hose
No. 285-5 Supply Elbow
No. 296-1 Coordinating Square Wall Bracket

\$856

\$1,157

\$1,327



280K

Traditional Hand Shower Set
Includes:
No. 283-5 Traditional Single Function Hand Shower
No. 284 Braided Hose
No. 285-4 Supply Elbow
No. 297-1 Coordinating Square Wall Bracket

\$856

\$1,157

\$1,327



280M

Contemporary Hand Shower Set
Includes:
No. 283-4 Contemporary Single Function Hand Shower
No. 284 Braided Hose
No. 285-6 Supply Elbow
No. 296-1 Coordinating Square Wall Bracket

\$856

\$1,157

\$1,327



280N

Traditional Hand Shower Set
Includes:
No. 281-1 Traditional Multifunction Hand Shower
No. 284 Braided Hose
No. 285-3 Supply Elbow
No. 297 Wall Coordinating Round Bracket

\$856

\$1,157

\$1,327

HAND SHOWER SETS

I

II

III



280P

Contemporary Hand Shower Set

Includes:

No. 283-102 Single Function Handshower

No. 284 Braided Hose

No. 3-671 Supply Elbow & Holder Combo

\$588

\$767

\$917



280R

Contemporary Hand Shower Set

Includes:

No. 283-101 Single Function Handshower

No. 284 Braided Hose

No. 3-672 Supply Elbow & Holder Combo

\$588

\$767

\$917

SLIDE BAR HANDSHOWER KITS

I II III



280D

Slide Bar Handshower Kit
Water supply from in-wall supply using diverter valve.
Consists of No. 280 Handshower, No. 284 Hose, No. 285 Supply Elbow, and No. 292 Slide Bar with Adjustable Bracket.

\$788 \$1,021 \$1,198



281D

Slide Bar Handshower Kit
Water supply from in-wall supply using diverter valve.
Consists of No. 281 Handshower, No. 284 Hose, No. 285 Supply Elbow, and No. 292 Slide Bar with Adjustable Bracket.

\$788 \$1,021 \$1,198



280E

Traditional 36" Slide Bar Handshower Kit
All Brass. Includes:
No. 281-1 Traditional Multifunction Hand Shower
No. 284 Braided Hose
No. 285-1 Supply Elbow
No. 294 36" Slide Bar with Adjustable Bracket

\$1,314 \$1,640 \$2,129



280F

Contemporary 36" Slide Bar Handshower Kit
All Brass. Includes:
No. 283-3 Contemporary Multifunctional Hand Shower
No. 284 Braided Hose
No. 285-2 Supply Elbow
No. 295 36" Slide Bar with Adjustable Bracket

\$1,314 \$1,640 \$2,129



280L

Traditional 36" Slide Bar Handshower Kit
All Brass. Includes:
No. 281-1 Traditional Multifunctional Hand Shower
No. 284 Braided Hose
No. 285-3 Supply Elbow
No. 294-1 36" Slide Bar with Adjustable Bracket

\$1,314 \$1,640 \$2,129



280S

Contemporary 36" Slide Bar Handshower Kit
All Brass. Includes:
No. 283-101 Single Function Handshower
No. 284 Braided Hose
No. 285-2 Supply Elbow
No. 295 36" Slide Bar with Adjustable Bracket

\$1,049 \$1,418 \$1,738



280T

Contemporary 36" Slide Bar Handshower Kit
Includes:
No. 283-102 Single Function Handshower
No. 284 Braided Hose
No. 285-7 Supply Elbow
No. 295-1 Slide Bar with Adjustable Bracket

\$1,049 \$1,418 \$1,738

SHOWER

SLIDE BARS

I

II

III



292

Wall-Mounted Slide Bar with Adjustable Bracket for holding Hand Shower. 23" c-c. 3" projection. 2 concealed screws.

\$494

\$628

\$739

Does not work with 281-1, 283-3, 283-4 and 283-5 handshowers.



294

Traditional 36" Wall-Mounted Slidebar with Adjustable Bracket.

\$670

\$856

\$1,037



294-1

Traditional 36" Wall-Mounted Slidebar with Adjustable Bracket.

\$670

\$856

\$1,037



295

Contemporary 36" Wall-Mounted Slidebar with Adjustable Bracket.

\$670

\$856

\$1,037



295-1

Contemporary 36" Wall-Mounted Slidebar with Adjustable Bracket.

\$695

\$888

\$1,049

SHOWER SLIDER KITS FOR GRAB BARS

I II III



930-0442 Shower Slider Kit For Grab Bar
Traditional, Cross handle.
Includes No. 284 hose.
No. 285-1 supply elbow.
No. 281-1 handshower.
No. 20-411 slider.
No. 20-408 handle.
GRAB BAR SOLD SEPARATELY.

\$1,020 \$1,357 \$1,626



930-0443 Shower Slider Kit For Grab Bar
Traditional, Lever handle.
Includes No. 284 hose.
No. 285-1 supply elbow.
No. 281-1 handshower.
No. 20-411 slider.
No. 2-136 handle.
GRAB BAR SOLD SEPARATELY.

\$1,020 \$1,357 \$1,626



990-0442 Shower Slider Kit For Grab Bar
Contemporary, Cross handle.
Includes No. 284 hose.
No. 285-2 supply elbow.
No. 283-3 handshower.
No. 20-410 slider.
No. 20-289 handle.
GRAB BAR SOLD SEPARATELY.

\$1,020 \$1,357 \$1,626



990-0443 Shower Slider Kit For Grab Bar
Contemporary, Lever handle.
Includes No. 284 hose.
No. 285-2 supply elbow.
No. 283-3 handshower.
No. 20-410 slider.
No. 2-111H handle.
GRAB BAR SOLD SEPARATELY.

\$1,020 \$1,357 \$1,626



2040-0442 Shower Slider Kit For Grab Bar
Contemporary, Cross handle.
Includes No. 284 hose.
No. 285-7 supply elbow.
No. 283-102 handshower.
No. 20-410 slider.
No. 20-406 handle.
GRAB BAR SOLD SEPARATELY.

\$1,020 \$1,357 \$1,626



2040-0443 Shower Slider Kit For Grab Bar
Contemporary, Lever handle.
Includes No. 284 hose.
No. 285-7 supply elbow.
No. 283-102 handshower.
No. 20-410 slider.
No. 20-407 handle
GRAB BAR SOLD SEPARATELY.

\$1,020 \$1,357 \$1,626

SHOWER

SHOWER PARTS

I

II

III



284

59" Hand Shower Hose
Double spiral for strength.
Solid Brass.

\$181

\$240

\$277



290

High Pressure Polymer Braided Hose

\$74

—

—

For use with No. 289 for below deck connection.
24" long. 1/2" male IPS x 1/2" male IPS.
Non-Finished Item.



285

Supply Elbow for Hand Shower Hose
Solid Brass.

\$86

\$125

\$148



285-1

Traditional All Brass Supply Elbow

\$120

\$164

\$186



285-2

Contemporary All Brass Supply Elbow

\$120

\$164

\$186



285-3

Traditional Supply Elbow

\$120

\$164

\$186



285-4

Traditional Supply Elbow

\$120

\$164

\$186



285-5

Contemporary Supply Elbow

\$120

\$164

\$186

SHOWER PARTS

I II III

	285-6	Contemporary Supply Elbow	\$120	\$164	\$186
	3-671	Contemporary Supply Elbow & Holder - Square	\$267	\$402	\$479
	3-672	Contemporary Supply Elbow & Holder - Round	\$267	\$402	\$479
	287	Wall Bracket for Hand Shower Does not work with 281-1, 283-3, 283-4 and 283-5 handshowers.	\$146	\$196	\$228
	288	Supply Outlet with holder for Hand Shower Does not work with 281-1, 283-3, 283-4 and 283-5 handshowers.	\$160	\$210	\$247
	296	Contemporary Wall Mount Bracket Solid Brass. Matches 283-3 Hand Shower. Not adjustable.	\$159	\$215	\$249
	296-1	Contemporary Wall Mount Bracket Solid Brass. Matches 283-4 Hand Shower. Not adjustable.	\$159	\$215	\$249
	297	Traditional Wall-Mount Bracket Solid Brass. Matches 281-1 Hand Shower. Not adjustable.	\$159	\$215	\$249

SHOWER PARTS

I

II

III



291

Vacuum Breaker for Hand Showers. In-line type.
For wall-hung showers only. Not for deck-mounted
Hand Showers. Solid Brass. IAPMO-UPC listed.

\$86

\$118

\$143

BODY SPRAYS

I

II

III



217 Body Spray
Solid Brass. 1-7/8" diameter. 1-3/4" projection.
1/2" female IPS pivot connection.
With flange. 1.75 GPM Max.

\$159 \$201 \$238



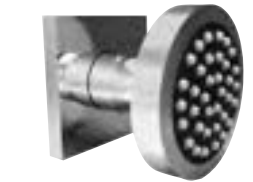
2170 Body Spray
1/2" female inlet. 1.75 GPM Max.
Solid Brass.

\$261 \$353 \$405



2171 Body Spray with volume control
Solid Brass. 1-7/8" diameter. 2-5/16" projection.
1/2" female IPS pivot connection.
With flange. 1.75 GPM Max.

\$233 \$314 \$377



2173 Body Spray
Square Escutcheon.
1/2" female inlet. 1.75 GPM Max.
Solid Brass.

\$261 \$353 \$405



2174 Body Spray
Round Escutcheon.
1/2" female inlet. 1.75 GPM Max.
Solid Brass.

\$261 \$353 \$405



2178 Body Spray
1/2" female inlet. 1.75 GPM Max.
Solid Brass.

\$261 \$353 \$405

SHOWER

TUB SPOUTS

I







II

III

	220	Tub Spout 1/2" NPT inlet fitting. 4.97" spout overall length.	\$132	\$158	\$185
	2201	Tub Spout 1/2" NPT inlet fitting. 6.71" spout overall length. Matches Seaport Series.	\$217	\$301	\$358
	20-258	Tub Spout 3/4" NPT inlet fitting. 7.35" spout overall length. Matches Joffrey Series.	\$316	\$442	\$527
	2-144	Tub Spout 1/2" NPT inlet fitting. 7.56" spout overall length. Matches Alveston, Astor, Chesterfield, Fairfield and Metropole Series.	\$230	\$312	\$358
	2-249A	Tub Spout 1/2" NPT inlet fitting. 6.29" spout overall length. Matches Alexandria Series.	\$277	\$373	\$415
	2-250	Tub Spout 1/2" NPT inlet fitting. 6.29" spout overall length. Matches Amisa Series.	\$240	\$326	\$373
	2-564	Tub Spout with Stream Straightener 3/4" NPT inlet (1/2" bushing included). 7.43" spout overall length. Matches Bevelle and Miro Series.	\$245	\$326	\$389
	3-234	Tub Spout 1/2" NPT inlet fitting. 7" spout overall length. Matches Dorrance, East Linear, East Square, and Slater Series.	\$227	\$301	\$347

TUB SPOUTS

I II III

	3-328	Tub Spout 1/2" NPT inlet fitting. 6.94" spout overall length. Matches Secant Series.	\$246	\$334	\$381
	3-383	Tub Spout 1/2" NPT inlet fitting. 7.82" spout overall length. Matches Aylesbury Series.	\$246	\$334	\$381
	3-407	Tub Spout 1/2" NPT inlet fitting. 9.15" spout overall length. Matches Keaton and Kirsi Series.	\$246	\$334	\$381
	3-419	Tub Spout 1/2" NPT inlet fitting. 9.15" spout overall length. Matches Pavani and Priya Series.	\$246	\$334	\$381
	3-427	Tub Spout 3/4" NPT inlet fitting. 6.90" spout overall length. Matches Ithaca Series.	\$303	\$412	\$470
	3-583	Tub Spout 1/2" NPT inlet fitting. 7.92" spout overall length. Matches Malvina Series.	\$342	\$446	\$512
	3-614	Tub Spout 1/2" NPT inlet fitting. 11.15" spout overall length. Matches Keaton and Kirsi Series.	\$303	\$412	\$470
	3-615	Tub Spout 1/2" NPT inlet fitting. 11.15" spout overall length. Matches Pavani and Priya Series.	\$303	\$412	\$470

TUB SPOUTS

I

II

III



3-641 Tub Spout with Stream Straightener
1/2" NPT inlet fitting.
8.75" spout overall length.

Matches Pardees Series.

\$363 \$491 \$564



3-642 Tub Spout
1/2" NPT inlet fitting.
8.82" spout overall length.

Matches Clemens Series.

\$363 \$491 \$564



3-643 Tub Spout
1/2" NPT inlet fitting.
8.79" spout overall length.

Matches Griffey Series.

\$363 \$491 \$564



3-667 Tub Spout
1/2" NPT inlet fitting.
9.42" spout overall length.

Matches Victoria Series.

\$314 \$394 \$425



3-668 Tub Spout
1/2" NPT inlet fitting.
10.32" spout overall length.

Matches Jacobean Series.

\$246 \$334 \$381



3-669 Tub Spout
1/2" NPT inlet fitting.
9.83" spout overall length.

Matches Sutton Series.

\$246 \$334 \$381



3-695 Tub Spout with Stream Straightener
1/2" NPT inlet fitting.
9.94" spout overall length.

Matches Muncy Series.

\$291 \$393 \$452



3-724 Tub Spout
1/2" NPT inlet fitting.
9.94" spout overall length.

Matches Tolmin Series.

\$300 \$384 \$426

TUB SPOUTS

I

II

III



3-729 Tub Spout
1/2" NPT inlet fitting.
9.94" spout overall length.

Matches Taft Series.

\$300 \$384 \$426



8-030 Tub Spout
3/4" NPT inlet fitting.
9.44" spout overall length.

Matches Metro and Skylar Series.

\$393 \$482 \$527



20-131 Tub Spout
1/2" NPT inlet fitting.
6.71" spout overall length.

Matches Vander Series.

\$240 \$334 \$381

SHOWER TRIM VALVES PICK A VALVE AND THEN CHOOSE TRIM PLATES

I

II

III

BP TUB AND SHOWER VALVES



1-685 Newport Brass BP Valve with diverter, 4 port with service stops, universal 1/2" NPT & direct sweat \$384 — —

BP SHOWER VALVES



1-684 Newport Brass BP Valve, 3 port with service stops, universal 1/2" NPT & direct sweat connections. \$278 — —

1/2" THERMOSTATIC VALVES



1-741 1/2" Thermostatic Rough-in with Volume/Shut off Control. Flow rate of 10.25 gpm at 60 PSI hot & cold mixed flow. Factory calibrated comfort setting at 100-deg F, built-in check valves w/service stops. Independent adjustment of temperature & volume control. \$524 — —



1-742 1/2" Thermostatic Rough-in** w/Integrated 2 Way Diverter & Shut off Control. Flow rate of 10 gpm at 60 PSI hot and cold mixed flow, top outlet. Factory calibrated comfort setting at 100-deg F, built-in check valves w/service stops. Independent adjustment of temperature & volume control. \$627 — —



1-743 1/2" Thermostatic Rough-in w/Integrated 3 Way Diverter w/share function ports 1 & 2, & Shut Off Control. Flow rate of 8 gpm at 60 PSI hot & cold mixed flow, combo outlet. Factory calibrated comfort setting at 100-deg F, built-in check valves w/service stops. Independent adjustment of temperature & volume control. \$686 — —



1-744 1/2" Thermostatic Rough-in** w/Integrated 3 Way Diverter & Shut off Control. Flow rate of 6.75 gpm at 60 PSI hot and cold mixed flow, top outlet. Factory calibrated comfort setting at 100-deg F, built-in check valves w/service stops. Independent adjustment of temperature & volume control. \$686 — —



1-745 1/2" Thermostatic Rough-in w/Integrated 2 Way Diverter w/share function ports 1 & 2, & shut off control. Flow rate of 8 gpm at 60 PSI hot and cold mixed flow, top outlet. Factory calibrated comfort setting at 100-deg F, built-in check valves w/service stops. Independent adjustment of temperature & volume control. \$627 — —

3/4" THERMOSTATIC VALVES



1-540 3/4" Thermostatic Rough-in Valve Flow rate of 18 gpm at 60 PSI. Factory calibrated comfort setting at 100-deg F, built-in check valves w/service stops. \$794 — —

MUST USE WITH SEPARATE STOP/VOLUME CONTROL

DIVERTER/FLOW CONTROL TRIM

I

II

III



3-163
3-163B

Diverter/Flow Control Trim. Arrow Insert.
Diverter/Flow Control Trim. Plain Insert.

\$210
\$210

\$293
\$293

\$353
\$353

Use with stop or diverter valves.
Matches Alveston, Astor and Chesterfield Series.



3-188H

Diverter/Flow Control Trim. Hot.
Use with stop or diverter valves.
Matches Amisa Series.

\$336

\$471

\$566



3-202

Diverter/Flow Control Trim
Use with stop or diverter valves.
Matches Seaport Series.

\$216

\$303

\$363



3-227

Diverter/Flow Control Trim
Use with stop or diverter valves.

\$239

\$336

\$403

Matches East Linear and East Square Series.



3-227LH

Diverter/Flow Control Trim. Hot.
Use with stop or diverter valves.
Matches East Linear and East Square Series.

\$239

\$336

\$403



3-230
3-230B

Diverter/Flow Control Trim. Arrow.
Diverter/Flow Control Trim. Plain Insert.
Use with stop or diverter valves.
NOTE: HOT & COLD HANDLE BUTTONS ARE IN FRENCH.
Matches Fairfield Series.

\$210
\$210

\$293
\$293

\$353
\$353



3-241
3-241B

Diverter/Flow Control Handle Trim. Arrow Insert.
Diverter/Flow Control Handle Trim. Plain Insert.
Use with stop or diverter valves.
Matches Chesterfield Series.

\$210
\$210

\$293
\$293

\$353
\$353



3-245

Diverter/Flow Control Trim
Use with stop or diverter valves.
Matches Metropole Series.

\$210

\$293

\$353

SHOWER

DIVERTER/FLOW CONTROL TRIM

I

II

III



3-248

Diverter/Flow Control Trim
Use with stop or diverter valves.
Matches Alexandria Series.

\$354

\$494

\$593



3-255

Diverter/Flow Control Trim
Use with stop or diverter valves..
Matches East Linear Series.

\$239

\$336

\$403



3-279

Diverter/Flow Control Trim
Use with stop or diverter valves.
Matches Miro Series.

\$256

\$357

\$429



3-279L

Diverter/Flow Control Trim
Use with stop or diverter valves.
Matches Miro Series.

\$256

\$357

\$429



3-289

Diverter/Flow Control Trim
Use with stop or diverter valves.
Matches Bevelle Series.

\$394

\$530

\$638



3-322

Diverter/Flow Control Trim
Use with stop or diverter valves.
Matches Victoria Series.

\$246

\$334

\$400



3-323

Diverter/Flow Control Trim
Use with stop or diverter valves.
Matches Victoria Series.

\$246

\$334

\$400



3-343

Diverter/Flow Control Trim
Use with stop or diverter valves.
Matches Astor Series.

\$210

\$293

\$353

DIVERTER/FLOW CONTROL TRIM

I

II

III



3-368

Diverter/Flow Control Trim
Use with stop or diverter valves.
Matches Secant and Skylar Series.

\$237

\$311

\$358



3-373

Diverter/Flow Control Trim
Use with stop or diverter valves.
Matches Aylesbury and Jacobean Series.

\$237

\$311

\$358



3-374

Diverter/Flow Control Trim
Use with stop or diverter valves.
Matches Aylesbury and Jacobean Series.

\$237

\$311

\$358



3-378

Diverter/Flow Control Trim
Use with stop or diverter valves.
Matches Sutton Series.

\$237

\$311

\$358



3-379

Diverter/Flow Control Trim
Use with stop or diverter valves.
Matches Sutton Series.

\$237

\$311

\$358



3-447

Diverter/Flow Control Handle
Crystal Handle.
Use with stop or diverter valves.
Matches Metropole Series.

\$384

\$500

\$579



3-549

Diverter/Flow Control Trim
Use with stop or diverter valves.
Matches Kirsi and Pavani Series.

\$238

\$324

\$368



3-561

Diverter/Flow Control Trim. Lever Handle.
Use with stop or diverter valves.
Matches Vander Series.

\$264

\$355

\$408

DIVERTER/FLOW CONTROL TRIM

I

II

III



3-570

Diverter/Flow Control Trim
Use with stop or diverter valves.

\$294

\$389

\$443

Matches Slater Series.



3-573

Diverter/Flow Control Trim
Use with stop or diverter valves.

\$228

\$308

\$355

Matches Dorrance Series.



3-575

Diverter/Flow Control Trim
Use with stop or diverter valves.

\$228

\$308

\$355

Matches Dorrance Series.



3-577

Diverter/Flow Control Trim
Use with stop or diverter valves.

\$237

\$311

\$358

Matches Secant and Skylar Series.



3-580

Diverter/Flow Control Trim, Cold
Use with stop or diverter valves.

\$263

\$337

\$389

Matches Malvina Series.



3-581

Diverter/Flow Control Trim, Cold
Use with stop or diverter valves.

\$263

\$337

\$389

Matches Malvina Series.



3-593

Diverter/Flow Control Trim
Use with stop or diverter valves.

\$230

\$312

\$381

Matches Ithaca Series.



3-594

Diverter/Flow Control Trim
Use with stop or diverter valves.

\$228

\$308

\$355

Matches Joffrey Series.

DIVERTER/FLOW CONTROL TRIM

I

II

III

	3-595	Diverter/Flow Control Trim. Arrow Insert. Use with stop or diverter valves. Matches Metropole Series.	\$210	\$293	\$353
	3-608	Diverter/Flow Control Trim Use with stop or diverter valves. Matches Keaton and Priya Series.	\$228	\$308	\$356
	3-609	Diverter/Flow Control Trim Use with stop or diverter valves. Matches Metro Series.	\$246	\$334	\$381
	3-644	Diverter/Flow Control Trim Use with stop or diverter valves. Matches Pardees Series.	\$241	\$338	\$421
	3-645	Diverter/Flow Control Trim Use with stop or diverter valves. Matches Pardees Series.	\$241	\$338	\$421
	3-646	Diverter/Flow Control Trim Use with stop or diverter valves. Matches Clemens Series.	\$241	\$338	\$421
	3-647	Diverter/Flow Control Trim Use with stop or diverter valves. Matches Clemens Series.	\$241	\$338	\$421
	3-648	Diverter/Flow Control Trim Use with stop or diverter valves. Matches Griffey Series.	\$241	\$338	\$421

DIVERTER/FLOW CONTROL TRIM

I

II

III



3-649

Diverter/Flow Control Trim
Use with stop or diverter valves.

\$241

\$338

\$421

Matches Griffey Series.



3-692

Diverter/Flow Control Trim
Use with stop or diverter valves.

\$241

\$338

\$421

Matches Muncy Series.



3-693

Diverter/Flow Control Trim
Use with stop or diverter valves.

\$241

\$338

\$421

Matches Muncy Series.



3-721

Diverter/Flow Control Trim. Lever Handle.
Use with stop or diverter valves.

\$213

\$298

\$373

Matches Tolmin Series.



3-722

Diverter/Flow Control Trim. Cross Handle.
Use with stop or diverter valves.

\$213

\$298

\$373

Matches Tolmin Series.



3-727

3/4" Diverter/Flow Control Trim
Use with stop or diverter valves.

\$213

\$298

\$373

Matches Taft Series.



20-511

Round Diverter Plate
Traditional.
Optional use up to 2.5" hole.

\$204

\$275

\$317



20-512

Round Diverter Plate
Contemporary.
Optional use up to 2.5" hole.

\$204

\$275

\$317

DIVERTER/FLOW CONTROL TRIM


I

II

III

	20-513	Square Diverter Plate Contemporary. Optional use up to 2.5" hole.	\$204	\$275	\$317
	20-514	Square Diverter Plate Traditional. Optional use up to 2.5" hole.	\$204	\$275	\$317
	2-260	3/4" Valve trim extension kit Extends 1-3/8". Please specify finish.	\$190	\$259	\$311
	20-146	1/2" Valve Trim Extension Kit Extends 1-3/8". Please specify finish.	\$273	\$368	\$423
	1-617	1/2" In-wall 2 & 3 way diverter valve 1 inlet, 3 outlets.**	\$279	—	—
	1-606U	1/2" inlet/outlet stop valve. (clockwise off)	\$195	—	—
	1-607U	3/4" inlet/outlet stop valve. (clockwise off)	\$265	—	—

1/2" in-wall diverter valves* with:

	1-701	3 function with off. 1 inlet, 3 outlets.**	\$334	—	—
	1-702	5 function with off. 1 inlet, 3 outlets.	\$334	—	—
	1-703	3 function with pause. 1 inlet, 3 outlets.**	\$334	—	—
	1-704	2 function with off. 1 inlet, 2 outlets.**	\$334	—	—
	1-705	3 function with off. 1 inlet, 2 outlets.	\$334	—	—
	1-706	2 function with pause. 1 inlet, 2 outlets.**	\$334	—	—
	1-707	3 function no off. 1 inlet, 2 outlets.	\$334	—	—

*SEE PAGES 312-315 FOR HOW TO USE THESE DIVERTERS.

**Cal Green compliant

SPECIALTY BATHROOM ACCESSORIES

I

II

III



10-81

Standing Toilet Tissue Holder
Height 22". Base diameter 7-1/2".

\$407

\$483

\$610



10-89

Recessed Toilet Tissue Holder
Mounting screw holes 3" c-c.
Wood screws and clamp included.
Rough in dimensions 5-1/4" x 5-1/4".

\$186

\$222


\$262





BP TUB & SHOWER TRIM SETS




I

II

III

Required Accessory		Newport Brass BP Valve with diverter, 4 port with service stops, universal 1/2" NPT & direct sweat
1-685		
BP Valve		
Pricing I II III \$384 — —		

Series	Astor	Astor, Alveston & Chesterfield	Aylesbury	Chesterfield
Part #	3-912BP	3-922BP	3-2412BP	3-1032BP
Image				
Pricing	I II III \$875 \$1,134 \$1,309	I II III \$875 \$1,134 \$1,309	I II III \$1,214 \$1,575 \$1,818	I II III \$875 \$1,134 \$1,309

Series	East Linear & East Square	East Linear	Ithaca	Pavani
Part #	3-992BP	3-1502BP	3-2552BP	3-3102BP
Image				
Pricing	I II III \$942 \$1,227 \$1,415	I II III \$942 \$1,227 \$1,415	I II III \$1,530 \$2,066 \$2,297	I II III \$1,138 \$1,477 \$1,700

Series	Slater
Part #	3-2922BP
Image	
Pricing	I II III \$1,140 \$1,537 \$1,769


SHOWER





BP TUB & SHOWER TRIM SETS





I

II

III

Required Accessory		<p>Newport Brass BP Valve, 3 port with service stops, universal 1/2" NPT & direct sweat connections.</p>
1-684		
BP Valve		
Pricing		
I II III		
\$278 — —		


Series	Amisa	Astor	Astor, Alveston & Chesterfield	Aylesbury & Jacobean
Part #	3-984BP	3-914BP	3-924BP	3-2404BP
Image				
Pricing	I II III \$783 \$1,016 \$1,176	I II III \$666 \$863 \$998	I II III \$666 \$863 \$998	I II III \$947 \$1,244 \$1,440

Series	Aylesbury & Jacobean	Chesterfield	Dorrance	East Linear & East Square
Part #	3-2414BP	3-1034BP	3-2974BP	3-994BP
Image				
Pricing	I II III \$947 \$1,244 \$1,440	I II III \$666 \$863 \$998	I II III \$1,160 \$1,560 \$1,802	I II III \$705 \$914 \$1,057





Series	East Linear & East Square	East Linear	Fairfield	Ithaca
Part #	3-994LBP	3-1504BP	3-1004BP	3-2554BP
Image				
Pricing	I II III \$705 \$914 \$1,057	I II III \$705 \$914 \$1,057	I II III \$690 \$895 \$998	I II III \$1,162 \$1,571 \$1,743

BP SHOWER TRIM SETS

I II III

Required Accessory		<p>Newport Brass BP Valve, 3 port with service stops, universal 1/2" NPT & direct sweat connections.</p>
1-684		
BP Valve		
Pricing I II III \$278 — —		


Series	Joffrey	Keaton	Kirsi	Malvina
Part #	3-2574BP	3-2494BP	3-3124BP	3-3144BP
Image				
Pricing	I II III \$1,209 \$1,634 \$1,877	I II III \$961 \$1,263 \$1,485	I II III \$883 \$1,149 \$1,321	I II III \$1,160 \$1,560 \$1,802

Series	Metro	Metropole	Miro	Pavani
Part #	3-2544BP	3-1204BP	3-1624BP	3-3104BP
Image				
Pricing	I II III \$1,244 \$1,683 \$1,934	I II III \$666 \$863 \$998	I II III \$783 \$1,016 \$1,174	I II III \$883 \$1,149 \$1,321

Series	Priya	Secant	Skylar	Slater
Part #	3-2484BP	3-2044BP	3-2564BP	3-2924BP
Image				
Pricing	I II III \$882 \$1,190 \$1,369	I II III \$1,002 \$1,295 \$1,499	I II III \$1,244 \$1,683 \$1,934	I II III \$857 \$1,159 \$1,334

SHOWER

BP TUB & SHOWER TRIM SETS

Required Accessory		<p>Newport Brass BP Valve, 3 port with service stops, universal 1/2" NPT & direct sweat connections.</p>				
1-684						
BP Valve						
Pricing <table border="1"> <tr> <td>I</td> <td>II</td> <td>III</td> </tr> <tr> <td>\$278</td> <td>—</td> <td>—</td> </tr> </table>			I	II	III	\$278
I	II	III				
\$278	—	—				

Series	Sutton						
Part #	3-2454BP						
Image							
Pricing	<table border="1"> <tr> <td>I</td> <td>II</td> <td>III</td> </tr> <tr> <td>\$960</td> <td>\$1,244</td> <td>\$1,440</td> </tr> </table>	I	II	III	\$960	\$1,244	\$1,440
I	II	III					
\$960	\$1,244	\$1,440					

TANK LEVERS

I II III

HOW TO ORDER

STEP 1: ORDER THE MECHANISM WITH YOUR FINISH CHOICE.
6-505 + Finish = 6-505/Finish (6-505 + Polished Chrome = 6-505/26)

STEP 2: ORDER THE HANDLE SELECTION WITH YOUR FINISH CHOICE
2-436 + Finish = 2-436/Finish (2-436 + Polished Chrome = 2-436/26)

Required Accessory		
6-505		
Tank Lever Mechanism		
Pricing		
I	II	III
\$115	\$139	\$155



THE 6-505 ROTATES INTO A FRONT, SIDE OR ANGLED POSITION, MAKING IT COMPATIBLE WITH MANY TYPES OF TOILETS. WORKS WITH INSULATED TANKS (MAX 5/8" WALL THICKNESS.)

Series	Astor	Aylesbury, Jacobean & Sutton	Bevelle	Chesterfield	East Linear
Part Number	2-268	2-645	2-470	2-136	2-111H
Description	Tank Lever	Tank Lever	Tank Lever	Tank Lever	Tank Lever
Image					
Pricing	I II III \$141 \$183 \$195	I II III \$147 \$190 \$223	I II III \$225 \$293 \$314	I II III \$141 \$183 \$195	I II III \$192 \$269 \$327

Series	East Linear	Metropole	Miro	Seaport	Secant
Part Number	20-289	2-279	2-436	2-116	20-406
Description	Tank Lever	Tank Lever	Tank Lever	Tank Lever	Tank Lever
Image					
Pricing	I II III \$192 \$269 \$327	I II III \$169 \$217 \$235	I II III \$133 \$172 \$185	I II III \$80 \$109 \$187	I II III \$74 \$101 \$173

SHOWER

Series	Secant
Part Number	20-407
Description	Tank Lever
Image	
Pricing	I II III \$129 \$175 \$201

500
Tank Lever for commonly used toilets (8" arm). Front mount Solid Brass. May be used with Devonshire toilets.
I II III \$99 \$155 \$179



Quick Reference Guide

CATEGORY SECTION PAGE

KITCHEN

AIR GAPS	NEWPORT KITCHEN	PG 75
FAUCET HOLE COVERS	NEWPORT KITCHEN	PG 75
SOAP DISPENSERS	NEWPORT KITCHEN	PG 77
WATER DISPENSERS	NEWPORT KITCHEN	PG 68
HOT WATER TANKS	NEWPORT KITCHEN	PG 74
GARBAGE DISPOSER TRIM	BRASSTECH KITCHEN	PG 365
BASKET STRAINERS	BRASSTECH KITCHEN	PG 365

TUB & SHOWER

DECORATIVE DRAINS	NEWPORT SHOWER	PG 324
SHOWER HEADS	NEWPORT SHOWER	PG 328
SHOWER ARMS & FLANGES	NEWPORT SHOWER	PG 329
HAND SHOWERS SETS	NEWPORT SHOWER	PG 335
SHOWER PARTS	NEWPORT SHOWER	PG 340
TUB SPOUTS	NEWPORT SHOWER	PG 344
SHOWER & TUB DRAINS	BRASSTECH TUB & SHOWER	PG 366
WASTE & OVERFLOWS	BRASSTECH TUB & SHOWER	PG 366
FACE PLATES & STRAINERS	BRASSTECH TUB & SHOWER	PG 367
DRAIN KITS	BRASSTECH TUB & SHOWER	PG 367

TANK & LAVATORY

DRAINS & TRAPS	BRASSTECH TANK & LAVATORY	PG 368
LAVATORY DRAIN ASSEMBLIES	BRASSTECH TANK & LAVATORY	PG 369
SUPPLY VALVES, TUBES & FLANGES	BRASSTECH TANK & LAVATORY	PG 370
PIPE NIPPLES & COVER CASING	BRASSTECH TANK & LAVATORY	PG 372
TOILET SUPPLY KITS	BRASSTECH TANK & LAVATORY	PG 373
LAVATORY SUPPLY KITS	BRASSTECH TANK & LAVATORY	PG 374

KITCHEN

GARBAGE DISPOSER TRIM/STOPPERS PG [365](#)

3-1/2" DIAMETER BASKET STRAINERS PG [365](#)

TUB & SHOWER

SHOWER & TUB DRAINS PG [366](#)

WASTE & OVERFLOWS PG [366](#)

FACEPLATE & STRAINERS PG [367](#)

DRAIN KITS PG [367](#)

TANK & LAVATORY

TRAPS PG [368](#)

SUPPLY VALVES, TUBES & FLANGES PG [370](#)

SUPPLY TUBES PG [372](#)

PIPE NIPPLES & COVER CASING PG [372](#)

RIGID RISER SUPPLY KITS PG [372](#)

BRASSTECH TOTAL SOLUTIONS PG [376](#)

NEWPORT BRASS®
Brasstech

BRASSTECH - KITCHEN

I

II

III



112 Garbage Disposer Flange. Fits most In-Sink-Erator models (also KitchenAide, Emerson, Kenmore and Grainger). Made of brass.

\$88 \$124 \$146

112A Deep Garbage Disposer Flange. Fits farm style and fireclay sinks 2-1/2" deep.

\$105 \$133 \$162



113 Garbage Disposer Stopper. Fits No. 112 & 112A above. Made of brass.

\$54 \$85 \$104



120 Large Basket Strainer, Wing Nut Locking Style, with nuts and washers. Solid Brass. Fits 3-1/2" opening.

\$202 \$235 \$274



121 Large Basket Strainer, Post Type, with nuts and washers. Solid Brass. Fits 3-1/2" opening.

\$162 \$190 \$213



122 Large Brass Basket Strainer, Post Type, with strainer and nuts. Fits 3-1/2" opening.

\$157 \$179 \$207

122LS Same as above with 1" extension.

\$167 \$185 \$215



Decorative Drains

See Newport Brass Shower Section Page 324



230 3-1/4" Drain Trim Set. Consists of grill, crown and screws. Fits Plumbing Products drains. \$45 \$58 \$70



231 Deluxe Trim Set. Consists of grill, crown, screws, No. 230 Drain Trim Set. \$89 \$114 \$147



236 Fits Casper Strainer No. 129, Sioux Chief, Intercon, Prier Brass and B&K. 4-1/4" O.D. 2-7/8" prong to prong. \$55 \$65 \$76



238 Solid Brass Strainer for Plastic Oddities, Prier Brass, Richmond Foundry, Sioux Chief, C.P. Industries and Rapidfit shower drains. 4" diameter. 3-3/8" c-c screw holes. \$76 \$89 \$103



111-2961 Pivoting Waste & Overflow. Lift & Turn Style with 2-hole faceplate. Maximum make-up 22-5/8". \$761 \$950 \$1,286

All Parts Polished For Use with Tubs on Legs.



111-2962 Pivoting Waste & Overflow. Toe Activated Style with 2-hole faceplate. Maximum make-up 22-5/8". \$761 \$950 \$1,286

All Parts Polished For Use with Tubs on Legs.



257 Waste & Overflow, Lift & Turn Style with Maximum make-up 22". \$540 \$728 \$874

All Parts Polished For Use With Tubs On Legs.

BRASSTECH - TUB & SHOWER

I

II

III









	255	Toe-Activated Waste & Overflow. Includes No. 265 Faceplate and No. 272 Tub Drain. Other parts are in ABS plastic. 22" high, 6" shoe. Not assembled. Can be cut for lesser height.	\$246	\$299	\$336
	260	Gerber-type Strainer and Screw for Waste & Overflow. 3" overall.	\$53	\$62	\$72
	265	Faceplate for Waste & Overflow 1 hole with screws. Solid Brass. 3" overall.	\$61	\$72	\$89
	266	Faceplate for Waste & Overflow 2 holes with screws. Solid Brass. 3" overall.	\$68	\$83	\$100
	267	Round Trip Lever Faceplate with screws Solid Brass. 3" overall.	\$71	\$93	\$114
	270	Lift & Turn Bath Plug 1-1/2" IPS coarse thread.	\$93	\$114	\$126
	272	Toe-Activated Tub Drain 1-1/2" coarse thread strainer shoes, including Gerber, Rapid Fit and Watco. Solid Brass.	\$114	\$146	\$177
	273	Toe-Activated Drain Kit One hole. Includes Nos. 272 & 265.	\$152	\$189	\$223

BRASSTECH - TUB & SHOWER

I

II

III

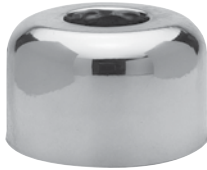
	<p>274</p>	<p>Toe-Activated Drain Kit Two holes. Includes Nos. 272 & 266.</p>	<p>\$173</p>	<p>\$215</p>	<p>\$252</p>
	<p>275</p>	<p>Trip Lever Drain Kit Includes Nos. 260 & 267.</p>	<p>\$100</p>	<p>\$126</p>	<p>\$168</p>
	<p>276</p>	<p>Toe-Activated Drain Kit with ABS shoe & overflow elbow. Includes Nos. 272 & 265.</p>	<p>\$168</p>	<p>\$215</p>	<p>\$240</p>
	<p>300</p>	<p>1-1/2" x 1-1/2" "P" Trap, less flange, 17 gauge. Also fits 1-1/4" tailpiece.</p>	<p>\$186</p>	<p>\$242</p>	<p>\$261</p>
	<p>301</p>	<p>1-1/4" x 1-1/4" "P" Trap, less flange, 17 gauge.</p>	<p>\$160</p>	<p>\$208</p>	<p>\$240</p>
	<p>301-2</p>	<p>1-1/4" x 1-1/4" contemporary P-Trap. Comes with 1-1/4" x 1-1/2" bushing adapter for connection to 1-1/2" sewer line. Wall flange sold separately.</p>	<p>\$336</p>	<p>\$462</p>	<p>\$524</p>
	<p>3016</p>	<p>301-2 packaged with 314 flange.</p>	<p>\$369</p>	<p>\$517</p>	<p>\$583</p>
	<p>3013</p>	<p>"P" Trap Kit. Includes No. 300 "P" Trap and High Box Flange. Packed in one box.</p>	<p>\$226</p>	<p>\$281</p>	<p>\$324</p>
	<p>3013-1</p>	<p>Same as 3013 only the wall bend tube is 24" long.</p>	<p>\$314</p>	<p>\$391</p>	<p>\$446</p>
	<p>3014</p>	<p>"P" Trap Kit. Includes No. 301 "P" Trap and High Box Flange. Packed in one box</p>	<p>\$208</p>	<p>\$261</p>	<p>\$303</p>
	<p>3014-1</p>	<p>Same as 3014 only the wall bend tube is 24" long.</p>	<p>\$314</p>	<p>\$391</p>	<p>\$446</p>

BRASSTECH - TUB & SHOWER

I

II

III



314 High Box Flange. Deep. For 1-1/4" O.D.
1-1/4" I.D. x 3" O.D. x 1-3/4" HT. \$54 \$66 \$77



321 P.O. Plug with Flat Strainer Plate
Fits 1-5/8" to 1-3/4" opening. Has overflow holes.
Tailpiece 1-1/4" O.D. \$116 \$160 \$176

3212 Same as 321 fully finished. \$183 \$221 \$253

3211 Same as 321 with no overflow. \$116 \$160 \$176

3213 Same as 3211 fully finished. \$183 \$221 \$253



499 Dome Cap Drain with Overflow \$127 \$182 \$194

499-1 Same as 499 without Overflow \$127 \$182 \$194

499-2 Same as 499 fully Finished \$224 \$301 \$343

499-3 Same as 499-1 fully Finished \$224 \$301 \$343



324 Lavatory Pop-Up Drain Assembly
with no overflow. For glass sinks.
Fits 1-5/8" to 1-3/4" opening. Completely Finished. \$227 \$303 \$347



325 Lavatory Pop-Up Drain Assembly
with overflow. Fits 1-5/8" to 1-3/4" opening. \$158 \$215 \$245



3251 Pop-Up Lift Rod Extension Kit. Available
in raw brass only. Fits pop-up rod or
horizontal lift rod on pop-up assembly.
Non-Finished Item. \$53 — —



326 Full Lavatory Pop-Up Drain Assembly
with overflow. Fits 1-5/8" to 1-3/4" opening.
Completely Finished. \$218 \$284 \$327



330 Push Pop-Up Assembly
Fits 1-5/8" to 1-3/4" opening. Has overflow holes.
Tailpiece 1-1/4" O.D. \$144 \$201 \$231

3302 Same as 330 above fully finished. \$193 \$234 \$265

3301 Same as 330 no overflow. \$158 \$215 \$245

3303 Same as 3301 fully finished. \$193 \$234 \$265



327

1-1/4" x 8" Tail Piece for lavatory drain
(Works only with #324, #325, and #326)

\$91

\$109

\$121



328

1-1/4" O.D. x 8" Slip Joint Extension Tube
Works for all 1-1/4" drains.

\$105

\$132

\$146



401

Angle Valve
Inlet 1/2" IPS. Outlet 3/8" O.D. Compression.

\$91

\$109

\$121



401X

Angle Valve with Cross Handle
Inlet 1/2" IPS. Outlet 3/8" O.D. Compression.

\$116

\$153

\$173



404X

Angle Valve with Cross Handle
Inlet 3/8" IPS. Outlet 3/8" O.D. Compression.

\$116

\$153

\$173



403

Angle Valve
Inlet 1/2" Compression.
Outlet 3/8" O.D. Compression.

\$109

\$131

\$152



403X

Angle Valve with Cross Handle
Inlet 1/2" compression.
Outlet 3/8" O.D. Compression.

\$130

\$173

\$191



403-1

1/4" Turn Ceramic Disk
Angle valve, contemporary style with lever handle.
Inlet 1/2" compression.
Outlet 3/8" compression.

\$220

\$299

\$341

BRASSTECH - TANK & LAVATORY

I

II

III

**403-3**

1/4" turn Ceramic Disk
Angle valve square contemporary style.
Inlet 1/2" compression.
Outlet 3/8" compression.

\$269

\$329

\$366

**403X-1**

1/4" turn Ceramic Disk
Angle valve contemporary style with cross handle.
Inlet 1/2" compression.
Outlet 3/8" compression.

\$275

\$325

\$366

**403X-2**

1/4" turn Ceramic Disk
Angle valve traditional style with cross handle.
Inlet 1/2" compression.
Outlet 3/8" compression.

\$226

\$307

\$350

**412**

Straight Valve
Inlet 1/2" Compression.
Outlet 3/8" O.D. Compression.

\$105

\$132

\$142

**416**

Angle Valve
1/2" sweat x 3/8" O.D. Compression
with 11/16" bell flange.

\$138

\$171

\$205

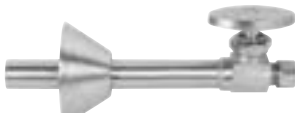
**416X**

Angle Valve with Cross Handle
1/2" sweat x 3/8" O.D.
Compression with 11/16" bell flange.

\$171

\$231

\$258

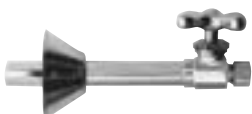
**417**

Straight Valve. 1/2" sweat x 3/8" O.D.
Compression with 11/16" bell flange.

\$138

\$182

\$207

**417X**

Straight Valve with Cross Handle
1/2" sweat x 3/8" O.D.
Compression with 11/16" bell flange.

\$182

\$248

\$284

BRASSTECH - TANK & LAVATORY

I

II

III



432

3/8" O.D. x 20" Bullnose Rigid Supply Tube

\$61

\$72

\$84



435

3/8" O.D. x 12" Flat Head Rigid Supply Tube

\$50

\$66

\$76



436

3/8" O.D. x 20" Flat Head Rigid Supply Tube

\$54

\$76

\$81



440

Brass Flange
Sure Grip. For 3/8" IPS.
.675" I.D. x 2-1/2" O.D. x 13/32" HT.

\$35

\$42

\$45



441

Brass Flange
Sure Grip. For 5/8" O.D. Same as 1/2" Compression.
5/8" I.D. x 2-1/2" O.D. x 13/32" HT.

\$36

\$44

\$50



442

Brass Flange
Sure Grip. For 1/2" IPS.
.84" I.D. x 2-1/2" O.D. x 13/32" HT.

\$36

\$44

\$50



448

1/2" IPS x 6" Brass Nipple

\$65

\$83

\$92



450

1/2" IPS x 4" Brass Nipple

\$55

\$65









\$69

BRASSTECH - TANK & LAVATORY

I

II









III

	451	3/8" IPS x 4" Brass Nipple	\$55	\$65	\$69
	455	3/4" O.D. x 10" Cover Casing Fits over 1/2" copper and 3/8" I.P.S.	\$55	\$65	\$69
	482	Toilet Supply Kit 1/2" Compression x 3/8" Includes: (1) 403: Angle Valve. Inlet 1/2" Compression.* Outlet 3/8" O.D. Compression. (1) 436: 3/8" O.D. x 20" Flat Head Rigid Supply Tube. (1) 441: Brass Flange. Sure Grip. For 5/8" O.D.* Same as 1/2" Compression. 5/8" I.D. x 2-1/2" O.D. x 13/32" HT.	\$154	\$195	\$226
	482X	Toilet Supply Kit with Cross Handle 1/2" Compression x 3/8" Includes: (1) 403X: Angle Valve with Cross Handle. Inlet 1/2" compression. Outlet 3/8" O.D. Compression. (1) 436: 3/8" O.D. x 20" Flat Head Rigid Supply Tube. (1) 441: Brass Flange. Sure Grip. For 5/8" O.D.* Same as 1/2" Compression. 5/8" I.D. x 2-1/2" O.D. x 13/32" HT.	\$182	\$248	\$279
	482-1	Toilet Supply Kit 1/2" Compression x 3/8" O.D. Includes: (1) 403-1: 1/4" Turn Ceramic disk. Angle valve, contemporary style with lever handle. Inlet 1/2" compression. Outlet 3/8" compression. (1) 436: 3/8" O.D. x 20" Flat Head Rigid Supply Tube. (1) 441: Brass Flange. Sure Grip. For 5/8" O.D.* Same as 1/2" Compression. 5/8" I.D. x 2-1/2" O.D. x 13/32" HT.	\$274	\$376	\$433
	482X-1	Toilet Supply Kit 1/2" Compression x 3/8" O.D. Includes: (1) 403X-1: 1/4" turn ceramic disk. Angle valve contemporary style with cross handle. Inlet 1/2" compression. Outlet 3/8" compression. (1) 436: 3/8" O.D. x 20" Flat Head Rigid Supply Tube. (1) 441: Brass Flange. Sure Grip. For 5/8" O.D.* Same as 1/2" Compression. 5/8" I.D. x 2-1/2" O.D. x 13/32" HT.	\$292	\$395	\$450
	482X-2	Toilet Supply Kit 1/2" Compression x 3/8" O.D. Includes: (1) 403X-2: 1/4" turn ceramic disk. Angle valve traditional style with cross handle. Inlet 1/2" compression. Outlet 3/8" compression. (1) 436: 3/8" O.D. x 20" Flat Head Rigid Supply Tube. (1) 441: Brass Flange. Sure Grip. For 5/8" O.D.* Same as 1/2" Compression. 5/8" I.D. x 2-1/2" O.D. x 13/32" HT.	\$292	\$395	\$450
	482-3	Toilet Supply Kit 1/2" Compression x 3/8" O.D. Includes: (1) 403-3: 1/4" turn ceramic disk. Angle valve square contemporary style. Inlet 1/2" compression. Outlet 3/8" compression. (1) 436: 3/8" O.D. x 20" Flat Head Rigid Supply Tube. (1) 441: Brass Flange. Sure Grip. For 5/8" O.D.* Same as 1/2" Compression. 5/8" I.D. x 2-1/2" O.D. x 13/32" HT.	\$323	\$443	\$510

BRASSTECH - TANK & LAVATORY

II

III

	495	Toilet Supply Kit. 1/2" Compression x 3/8" Includes: (1) 403: Angle Valve. Inlet 1/2" Compression.* Outlet 3/8" O.D. Compression. (1) 435: 3/8" O.D. x 12" Flat Head Rigid Supply Tube. (1) 441: Brass Flange. Sure Grip. For 5/8" O.D.* Same as 1/2" Compression. 5/8" I.D. x 2-1/2" O.D. x 13/32" HT.	\$149	\$193	\$247
	495X	Toilet Supply Kit with Cross Handle 1/2" Compression x 3/8" Includes: (1) 403X: Angle Valve with Cross Handle. Inlet 1/2" compression. Outlet 3/8" O.D. Compression. (1) 435: 3/8" O.D. x 12" Flat Head Rigid Supply Tube. (1) 441: Brass Flange. Sure Grip. For 5/8" O.D.* Same as 1/2" Compression. 5/8" I.D. x 2-1/2" O.D. x 13/32" HT.	\$171	\$248	\$289
	490X	Lavatory Supply Kit with Cross Handle 3/8" IPS Includes: (2) 404X: Angle Valve with Cross Handle. Inlet 3/8" IPS. Outlet 3/8" O.D. Compression. (2) 432: 3/8" O.D. x 20" Bullnose Rigid Supply Tube. (2) 440: Brass Flange. Sure Grip. For 3/8" IPS.* .675" I.D. x 2-1/2" O.D. x 13/32" HT. (2) 451: 3/8" IPS x 4" Brass Nipple.	\$366	\$515	\$583
	491	Lavatory Supply Kit. 1/2" IPS x 3/8" O.D. Includes: (2) 401: Angle Valve. Inlet 1/2" IPS.* Outlet 3/8" O.D. Compression. (2) 432: 3/8" O.D. x 20" Bullnose Rigid Supply Tube. (2) 442: Brass Flange. Sure Grip. For 1/2" IPS. .84" I.D. x 2-1/2" O.D. x 13/32" HT. (2) 450: 1/2" IPS x 4" Brass Nipple.	\$281	\$391	\$407
	491X	Lavatory Supply Kit with Cross Handle 1/2" IPS x 3/8" O.D. Includes: (2) 401X: Angle Valve with Cross Handle. Inlet 1/2" IPS. Outlet 3/8" O.D. Compression. (2) 432: 3/8" O.D. x 20" Bullnose Rigid Supply Tube. (2) 442: Brass Flange. Sure Grip. For 1/2" IPS. .84" I.D. x 2-1/2" O.D. x 13/32" HT. (2) 450: 1/2" IPS x 4" Brass Nipple.	\$361	\$512	\$583
	493	Lavatory Supply Kit 1/2" Compression x 3/8" Includes: (2) 403: Angle Valve. Inlet 1/2" Compression.* Outlet 3/8" O.D. Compression. (2) 432: 3/8" O.D. x 20" Bullnose Rigid Supply Tube. (2) 441: Brass Flange. Sure Grip. For 5/8" O.D. Same as 1/2" Compression. 5/8" I.D. x 2-1/2" O.D. x 13/32" HT.	\$292	\$439	\$488
	493X	Lavatory Supply Kit with Cross Handles 1/2" Compression x 3/8" Includes: (2) 403X: Angle Valve with Cross Handle. Inlet 1/2" compression. Outlet 3/8" O.D. Compression. (2) 432: 3/8" O.D. x 20" Bullnose Rigid Supply Tube. (2) 441: Brass Flange. Sure Grip. For 5/8" O.D.* Same as 1/2" Compression. 5/8" I.D. x 2-1/2" O.D. x 13/32" HT.	\$329	\$462	\$536
	493-1	Lavatory Supply Kit 1/2" Compression x 3/8" O.D. Includes: (2) 403-1: 1/4" Turn Ceramic disk. Angle valve, contemporary style with lever handle. Inlet 1/2" compression. Outlet 3/8" compression. (2) 432: 3/8" O.D. x 20" Bullnose Rigid Supply Tube. (2) 441: Brass Flange. Sure Grip. For 5/8" O.D.* Same as 1/2" Compression. 5/8" I.D. x 2-1/2" O.D. x 13/32" HT.	\$519	\$717	\$823



493X-1 Lavatory Supply Kit 1/2" Compression x 3/8" O.D. \$545 \$732 \$851
 Includes:
 (2) 403X-1: 1/4" turn ceramic disk. Angle valve contemporary style with cross handle. Inlet 1/2" compression. Outlet 3/8" compression.
 (2) 432: 3/8" O.D. x 20" Bullnose Rigid Supply Tube.
 (2) 441: Brass Flange. Sure Grip. For 5/8" O.D.* Same as 1/2" Compression. 5/8" I.D. x 2-1/2" O.D. x 13/32" HT.



98000 Brass ProTech - 6 oz. \$29 — —
 Exclusively made to clean, polish, and protect Newport Brass and Brasstech products. Easy application. Cannot be used on Living Finishes.

B TOTAL SOLUTIONS™

BY BRASSTECH



401 - ANGLE VALVE 1/2" IPS x 3/8" OD COMPRESSION



403 - ANGLE VALVE 1/2" COMPRESSION, 3/8" OD COMPRESSION



416X - ANGLE VALVE with CROSS HANDLE and BELL FLANGE



417X - STRAIGHT VALVE with CROSS HANDLE and BELL FLANGE



432 - RIGID SUPPLY TUBES BULLNOSE



436 - RIGID SUPPLY TUBES FLATHEAD



441 - BRASS FLANGE SURE GRIP



3014 - 1-1/4" x 1-1/4" P-TRAP with HIGH BOX FLANGE



3015P - 1-1/2" x 1-1/2" x 2" PVC P-TRAP

**3 TOTAL SOLUTION
KITS
4 FINISHES**

AVAILABLE IN THE
FOLLOWING 4 FINISHES

15

POLISHED NICKEL

15S

SATIN NICKEL

26

POLISHED CHROME

10B

OIL RUBBED BRONZE

YOUR DESIGN STORY, UNABRIDGED

ACHIEVE DESIGN CONTINUITY FROM THE GROUND UP WITH TOTAL SOLUTIONS KITS BY BRASSTECH. AT LAST, EVERY DECORATIVE PLUMBING PART YOU NEED TO COMPLETE A DESIGN PROJECT IS NOW OFFERED TOGETHER IN 3 UNIQUE COLLECTIONS AND FOUR HARMONIZING FINISHES. FROM P-TRAP TO SUPPLY TUBE, TELL THE DETAILS OF YOUR DESIGN STORY WITH TOTAL SOLUTIONS.

Kit	Qty	Parts	Description	Group I	Group II
LAVATORY SWEAT SUPPLY KITS					
#4772 W A L L	1	3014	1-1/4" X 1-1/4" P TRAP W/ HIGH BOX FLANGE.		
	2	416X	ANGLE VALVE W/ CROSS HANDLE 1/2" SWEAT X 3/8" OD COMP W/ 11/16" BELL FLANGE.		
	2	432	3/8" OD X 20" BULLNOSE RIGID SUPPLY TUBE.	\$527	\$725
TOILET KITS					
#4774 F L O O R	1	417X	STRAIGHT VALVE W/ CROSS HANDLE 1/2" SWEAT X 3/8" OD COMP W/ 11/16" BELL FLANGE.		
	1	436	3/8" OD X 20" FLAT HEAD RIGID SUPPLY TUBE.	\$208	\$285
#4775 W A L L	1	416X	ANGLE VALVE W/ CROSS HANDLE 1/2" SWEAT X 3/8" OD COMP W/ 11/16" BELL FLANGE.		
	1	436	3/8" OD X 20" FLAT HEAD RIGID SUPPLY TUBE.	\$197	\$281

PRODUCT USAGE GUIDE

2-PIECE WATER CLOSETS

If the water supply coming out of the wall is:	USE:
1/2" COPPER PIPE	Brasstech Toilet Supply Kits No. 482 with rigid risers and No. 403 angle valve with 1/2" nominal compression inlet and 3/8" compression outlet.
1/2" IRON PIPE (IPS)	Brasstech Toilet Supply Kits No. 481 with rigid risers and No. 401 angle valve with 1/2" IPS inlet and 3/8" O.D. compression outlet.
3/8" IRON PIPE	Brasstech Toilet Supply Kits No. 480 with rigid riser and No. 404 angle valve with 3/8" iron pipe inlet and 3/8" O.D. outlet. If a flexible riser is required, use the No. 404 angle valve with any 3/8" O.D. flexible riser and appropriate flange.

1-PIECE WATER CLOSETS

NOTE: 1-PIECE WATER CLOSETS REQUIRE FULL 1/2" SUPPLY TO FUNCTION PROPERLY. THEY SHOULD NOT BE INSTALLED WHERE THE WATER SUPPLY IS ONLY 3/8".
VERIFY WITH TOILET MANUFACTURER FOR APPROPRIATE SIZE WATER SUPPLY.

If the water supply coming out of the wall is:	USE:
1/2" COPPER PIPE	Brasstech Toilet Supply Kits No. 483 with rigid risers and No. 402 angle valve with 1/2" nominal compression inlet and 1/2" O.D. outlet.
1/2" IRON PIPE (IPS)	Brasstech Toilet Supply Kits No. 481 with rigid risers and No. 400 angle valve with 1/2" IPS inlet and 1/2" O.D. outlet.

PEDESTAL SINKS

If the water supply coming out of the wall is:	USE:
1/2" COPPER PIPE	Brasstech Lavatory Supply Kits Nos. 483 or 494 kits with rigid risers. and No. 402 angle valve with 1/2" nominal compression inlet and 1/2" O.D. outlet. 2 kits required per sink.
1/2" IRON PIPE (IPS)	Brasstech Lavatory Supply Kits Nos. 491 with rigid riser. and No. 400 angle valve with 1/2" IPS inlet and 1/2" O.D. outlet. 2 kits required per sink.
3/8" IRON PIPE	Brasstech Lavatory Supply Kits No. 490 with rigid riser and No. 404 angle valve with 3/8" IPS inlet. 1 kit required per sink.

PARTS PRICE LIST

ITEM NO.	DESCRIPTION	I	II	III
KITCHEN ACCESSORIES				
1-064	KITCHEN SINGLE LEVER CARTRIDGE	195		
1-536	DIVERTER/TEE ASSEMBLY FOR 943/946	207		
2-101	BASE RING FOR 9901, 9901L, 9911 OR 9911L	97	133	162
2-119B	SPRAY HEAD FOR 129	202	273	260
2-174	KITCHEN SPOUT FOR 943	675	775	925
2-175	KITCHEN SPOUT FOR 940 OR 941	379	532	637
2-176	HANDLE FOR 940 OR 941	261	369	438
3-246	KITCHEN SPOUT ASSEMBLY FOR 9911 OR 9911L	792	1069	1018
3-366	KITCHEN SPOUT ASSEMBLY FOR 9901 OR 9901L	641	864	823
2-614	KITCHEN SPOUT FOR 942	495	610	750
2-708	SPRAY HEAD FOR 2470-5703	288	389	370
50648	POWER ADAPTOR FOR ALL NWP AIR SWITCHES	180		
91321	PVC TUBING FOR ALL NWP AIR SWITCHES	4		
92297	WRENCH FOR 940,941 2493	7		
11208	KITCHEN DIVERTER CARTRIDGE	4		

KITCHEN - PULLDOWNS

1-064	KITCHEN SINGLE LEVER CARTRIDGE	195		
91534	CARTRIDGE STEM INSERT	3		
11874	CARTRIDGE ADAPTER SCREW 1500 & 2940 SERIES	9		
92035	CARTRIDGE ADAPTER SCREW 2500 SERIES ONLY	3		
1-256	PULL DOWN FAUCET MOUNTING KIT	15		
1-286	PULL DOWN WEIGHT	14		
1-286A	PULL DOWN WEIGHT FOR 1500-5413 ONLY	29		
11877	HOSE FOR PULLDOWN KITCHEN FAUCETS	62		
AB11877A	HOSE FOR PULLDOWN KITCHEN FAUCET 1500-5143 ONLY	72		
91544	MAGNETIC DOCKING	35		
91568	RETAINER CLIP FOR PULLDOWN HOSE	3		
12823	HANDLE HUB 1500 SERIES	97	130	124
12835	HANDLE HUB 2470 SERIES	78	105	100
12836	HANDLE HUB 1200 SERIES	97	130	124
12837	HANDLE HUB 2940 SERIES	97	130	124
12838	HANDLE HUB 1030 SERIES	141	191	182
2-745	HANDLE 2510 SERIES	101	137	130
2-790	HANDLE 2500 SERIES	127	171	197
20-313	HANDLE 1500 SERIES	116	158	150
20-314	HANDLE 2470 SERIES	101	131	125
20-315	HANDLE 2940 SERIES	116	158	150
20-316	HANDLE 1030 SERIES	103	139	132
3-415	SPRAY HEAD 2510 SERIES	110	147	168
3-416	SPRAY HEAD 1500 SERIES (WIDE)	158	212	244
3-417	SPRAY HEAD 1030, 2470 SERIES	142	186	212
3-443	SPRAY HEAD 1200 SERIES	225	303	289
3-463	SPRAY HEAD 2500 SERIES	307	415	395
3-480	SPRAY HEAD (SMALL) FOR 1500 SERIES	198	268	255
3-571	SPRAY HEAD 2940 SERIES	198	268	255
3-590	SPRAY HEAD 3210 SERIES	288	389	370
3-592	SPRAY HEAD 3200 SERIES	211	287	273
3-597	SPRAY HEAD 3170 SERIES	263	354	337

PARTS PRICE LIST

ITEM NO.	DESCRIPTION	I	II	III
KITCHEN - BRIDGE FAUCETS				
1-005	COLD CART FOR LAV BRIDGE FAUCETS	68		
1-006	HOT CART FOR LAV BRIDGE FAUCETS	68		
1-151	STEM EXTENSION FOR 9451-1, 9452-1, 9453-1, 9459, AND 9460	113		
1-152	UPPER SEAT ASSEMBLY	33		
1-153	STEM EXTENSION FOR 945-1, 9456, 9458, & 9462	107		
1-396	DIVERter ASM FOR 1500-5412 & 1500-5413	53		
1-555	COLD BLOCK FOR 2-472	271		
1-556	HOT BLOCK FOR 2-472	160		
1-747	COLD BLOCK ASM FOR 1-396	459		
1-748	HOT BLOCK ASM FOR 1-396	269		
2-472	DIVERter ASM FOR BRIDGE FAUCETS W/SIDE SPRAY	371		
11208	DIVERter CARTRIDGE	4		
12062	HANDLE ADAPTER	4		
12259	HANDLE BONNET	37	51	49
92539	ADAPTER SCREW	3		
KITCHEN - POTFILLERS				
11301	MOUNTING FLANGE FOR 1030, 1200, AND 2470 SERIES	44		
11309	MOUNTING FLANGE FOR 1500 AND 2940 SERIES	77	106	101
11711	AERATOR INSERT FOR 2500-5503	7		
11817	MOUNTING FLANGE FOR 2500 SERIES	13		
2-518	AERATOR FOR 1030, 1200, 2470, 9481, & 9482 SERIES	54	69	86
2-555	TRADITIONAL DECORATIVE FLANGE	141	188	229
2-556	MODERN DECORATIVE FLANGE	116	159	189
2-563	AERATOR FOR 2940 & 9485 SERIES	38	51	57
92223	LONG MOUNTING SCREW (4 REQUIRED)	3		
92231	MOUNTING FLANGE SET SCREW	3		
92245	MOUNTING FLANGE SET SCREW FOR 2500-5503	3		
TUB/SHOWER SETS				
1-028	BP CARTRIDGE FOR 1-504 & 1-505	161		
1-043	DIVERter CARTRIDGE FOR 1-505 AND 1-595	104		
1-068	BP FILTER (2 REQUIRED) FOR 1-504 & 1-505	48		
1-073	BP DIVERter 3/4" EXTENSION KIT	122		
1-074	BP STEM KIT	122		
1-102	1-540 THERMOSTATIC CARTRIDGE	379		
1-103	1-540 CHECK VALVE	44		
1-207	BP CARTRIDGE FOR 1-594 & 1-595	223		
1-249	BP STEM EXTENSION KIT, 3" LONG	75		
1-255	BP STEM EXTENSION 20 POINT FOR 1-504 & 1-505	58		
1-278	CHECK VALVES FOR 1-684 & 1-685	46		
1-279	BP DIVERter CARTRIDGE FOR 1-685	60		
1-280	BP CARTRIDGE FOR 1-684 & 1-685	145		
1-452	COLD CARTRIDGE FOR 1-500U, 1-532U	126		
1-453	HOT CARTRIDGE FOR 1-500U, 1-532U, 1-606U CARTRIDGE	126		
1-454	CARTRIDGE FOR 1-607U	160		
1-455	RETAINING NUT 1-500U, 1-532U, 1-606U, 1-607U	79		
1-535	REMOTE BALANCE PRESSURE VALVE	399		
10489	4" ALL-THREAD NIPPLE/COUPLING	26		
10493	BP LIMIT STOP FOR 1-594, 1-595	14		
10494	BP MECHANICAL STOP FOR 1-594, 1-595	9		
10631	ALL THREAD NIPPLE	14		
11491	CHECK VALVES FOR 1-594 & 1-595	9		
20-511	ROUND DIVERter PLATE, TRADITIONAL, OPTIONAL USE UP TO 2.5" HOLE	204	275	317
20-512	ROUND DIVERter PLATE, CONTEMPORARY, OPTIONAL USE UP TO 2.5" HOLE	204	275	317
20-513	SQUARE DIVERter PLATE, CONTEMPORARY, OPTIONAL USE UP TO 2.5" HOLE	204	275	317
20-514	SQUARE DIVERter PLATE, TRADITIONAL, OPTIONAL USE UP TO 2.5" HOLE	204	275	317

PARTS PRICE LIST

ITEM NO.	DESCRIPTION	I	II	III
SHOWER TRIM - BALANCE PRESSURE				
1-109	ARROW BUTTON	9		
2-217	DIVERTER TRIM - BP TUB/SHOWER	104	146	173
2-224	COVERPLATE - ROUND (LESS DIVERTER TRIM) FOR 1090 SERIES	290	408	488
2-225	COVERPLATE - ROUND SHOWER ONLY FOR 1090 SERIES	290	408	488
2-438	COVERPLATE - ROUND (LESS DIVERTER TRIM) FOR 1600 SERIES	456	610	734
2-439	COVERPLATE - ROUND SHOWER ONLY FOR 1600 SERIES	456	610	734
2-454	COVERPLATE - ROUND (LESS DIVERTER TRIM) FOR FOR 1760 & 1770 SERIES	456	610	734
2-455	COVERPLATE - ROUND SHOWER ONLY FOR FOR 1760 & 1770 SERIES	456	610	734
2-641	COVERPLATE - RECTANGLE (LESS DIVERTER TRIM)	534	722	827
2-642	COVERPLATE - RECTANGLE SHOWER ONLY	532	715	822
2-659	TUB/SHOWER BP BACKPLATE FOR 2400 SERIES	282	383	439
2-661	SHOWER ONLY BP BACKPLATE FOR 2400 SERIES	488	660	760
2-771	COVERPLATE - ROUND SHOWER ONLY FOR 2480, 2490, 3120 SERIES	225	303	289
2-894	SHORT DIVERTER TRIM FOR BP TUB/SHOWER SETS	54	69	84
8-006	COVERPLATE - SQUARE (LESS DIVERTER TRIM) FOR 2520, 2530 SERIES	474	569	618
8-011	COVERPLATE - SQUARE SHOWER ONLY FOR 2520, 2530 SERIES	545	644	699
8-032	COVERPLATE - RECTANGLE (LESS DIVERTER TRIM) FOR 2570 SERIES	474	569	618
8-033	COVERPLATE - RECTANGLE SHOWER ONLY FOR 2570 SERIES	474	569	618
8-092	COVERPLATE - ROUND SHOWER ONLY FOR 2550 SERIES	347	469	447
8-096	COVERPLATE - ROUND (LESS DIVERTER TRIM) FOR 2550 SERIES	347	469	447
20-501	COVERPLATE - ROUND SHOWER ONLY FOR 2480 SERIES	233	316	301
20-502	COVERPLATE - ROUND (LESS DIVERTER TRIM) FOR 2480 SERIES	225	302	288
10817	ARROW BUTTON FOR FAIRFIELD COLLECTION	9		

SHOWER TRIM- THERMOSTATIC 3/4"

1-331	MOUNTING PLATE FOR 12118, 12119, 12120, 12121, & 12122	146		
2-260	1-3/8" EXTENSION FOR 3/4" THERMOSTATIC VALVE	190	259	311
12118	COVERPLATE - SQUARE FOR 2570 SERIES	526	711	677
12119	COVERPLATE - ROUND FOR 2400 & 2460 SERIES	191	259	247
12120	COVERPLATE - ROUND FOR 2490 SERIES	129	174	166
12121	COVERPLATE - SQUARE FOR 2540 SERIES	377	418	398
12122	COVERPLATE - SQUARE FOR 2520 SERIES	465	628	598
2-337	COVERPLATE - ROUND THERMO TRADITIONAL	290	408	488
2-338	COVERPLATE - SQUARE THERMO FOR 1620 SERIES	467	654	788
2-440	COVERPLATE - ROUND THERMO FOR 1620 SERIES	343	465	553
2-500	COVERPLATE - ROUND THERMO FOR 1760 & 1770	290	408	488
2-558	NOMENCLATURE RING FOR 1760 & 1770	290	408	488
92075	FINISHED SCREWS FOR THERMO COVERPLATE	26	35	33

PARTS PRICE LIST

ITEM NO.	DESCRIPTION	I	II	III
SHOWER TRIM - THERMOSTATIC 1/2"				
2-110	HANDLE FOR 990 SERIES	190	269	327
2-261	HANDLE FOR 850, 980 SERIES	173	243	231
2-262	HANDLE FOR 3100, 3120 SERIES	158	218	208
2-268	HANDLE FOR 890, 910, 930, 1200 SERIES	141	183	195
2-271	HANDLE FOR 2040, 2480, 2490, 2560 SERIES	78	105	100
2-273	HANDLE FOR 890, 910, 930, 1200 SERIES	101	139	132
2-353	HANDLE FOR 1200 SERIES	116	158	150
2-354	HANDLE FOR 990, 1400 SERIES	126	176	168
2-442	HANDLE FOR 910, 1600, 2590 SERIES	135	183	174
2-443	HANDLE FOR 1640 SERIES	159	215	255
2-559	HANDLE FOR 1760 SERIES	244	330	314
2-990	COVERPLATE- -THERMO SQUARE TRADITIONAL	301	407	388
2-992	HANDLE FOR 2400, 2440, 2460 SERIES	135	183	174
2-993	HANDLE FOR 2400, 2440, 2460 SERIES	257	348	331
2-994	COVERPLATE - THERMO ROUND TRADITIONAL	83	112	107
2-999	COVERPLATE - THERMO SQUARE MODERN	338	460	438
20-100	HANDLE FOR 1600 SERIES	83	112	107
20-116	COVERPLATE- -THERMO ROUND MODERN	500	676	644
20-133	HANDLE FOR 2570 SERIES	103	139	132
20-142	HANDLE FOR 2900 SERIES	384	519	494
20-143	HANDLE FOR 2920, 2950 SERIES	257	348	331
20-146	1-3/8" EXTENSION FOR 1/2" THERMOSTATIC VALVE	273	368	423
20-177	HANDLE FORS 2040, 2560 SERIES	116	158	150
20-187	HANDLE FOR 2970 SERIES	78	105	100
20-188	HANDLE FOR 2970 SERIES	97	130	124
20-196	HANDLE FOR 3140 SERIES	78	105	100
20-197	HANDLE FOR 3140 SERIES	103	139	132
92113	SCREW FOR THERMOSTATIC HANDLES	3		
92206	SCREW FOR BOTTOM HANDLE IN 1760 SERIES	3		
ROMAN TUB SETS				
1-003	R/T COLD CARTRIDGE	120		
1-004	R/T HOT CARTRIDGE	120		
1-016	QUICK CONNECT ASSEMBLY FOR 1-502, 1-503, 1-506, 1-507, 1-522, 1-523, 1-547, 1-548, 1-665, 1-666, 1-565, 1-566, 1-571, 1-653	127		
1-093	COLD CARTRIDGE (LONG STEM) FOR 1046, 1047, 1686 & 1687	144		
1-094	HOT CARTRIDGE (LONG STEM) FOR 1046, 1047, 1686 & 1687	144		
1-163	QUICK CONNECT ASSEMBLY FOR 1-586, 1-587	61		
1-191	ROMAN TUB DIVERTER CARTRIDGE FOR 1-622, 1-630 DIVERTER VALVES	230		
1-230	QUICK CONNECT ASSEMBLY FOR 1-697, 1-698, 1-677, 1-678	74		
1-254	QUICK CONNECT ASSEMBLY FOR 1-636	33		
1-376	ROMAN TUB DIVERTER CARTRIDGE FOR 1-714	69		
1-602	HOT VALVE	229		
1-603	COLD VALVE	229		
1-612	HOT VALVE (LONG STEM) FOR 1040, 1680, & 1690 SERIES	282		
1-613	COLD VALVE (LONG STEM) FOR 1040, 1680 & 1690 SERIES	282		
1-714	ROMAN TUB DIVERTER VALVE - 3-PORT DECK DIVERTER, 16 POINT STEM	345		
1-035	QUICK CONNECT EXTENSION	54		
10382	QUICK CONNECT SPACER	17		

PARTS PRICE LIST

ITEM NO.	DESCRIPTION	I	II	III
LAVATORY SETS				
1-001	W/S COLD CARTRIDGE	67		
1-002	W/S HOT CARTRIDGE	67		
1-091	LONG STEM COLD CART FOR WIDESPREAD	107		
1-092	LONG STEM HOT CART FOR WIDESPREAD	107		
1-107	PORCELAIN BUTTON WITH "COLD"	9		
1-108	PORCELAIN BUTTON WITH "HOT"	9		
1-110	PORCELAIN BUTTON (BLANK)	9		
1-130	PORCELAIN BUTTON WITH "CHAUD" - (HOT)	9		
1-131	PORCELAIN BUTTON WITH "FROID" - (COLD)	9		
1-600	HOT VALVE	122		
1-601	COLD VALVE	122		
1-610	HOT VALVE (LONG STEM) FOR 1040, 1680, & 1690 SERIES	169		
1-611	COLD VALVE (LONG STEM) FOR 1040, 1680 & 1690 SERIES	169		
1-654	FLOW REGULATOR ASM FOR 2040, 2060, 2400,2410, 2420, 2430, 2440, 2540, 2560, 2990	72		
2-532	"METAL BUTTON FOR VICTORIA SERIES. CAN BE USED WITH 890, 920, 930, 1030, 1680 & 1690"	34	43	48
325	POP UP DRAIN	158	215	245
10288	POP-UP ROD	48	56	67
10815	PORCELAIN "FROID" BUTTON FOR FAIRFIELD COLLECTION	9		
10816	PORCELAIN "CHAUD" BUTTON FOR FAIRFIELD COLLECTION	9		
10937	PORCELAIN "BLANK" BUTTON FOR FAIRFIELD COLLECTION	9		
WALL MOUNTED LAVATORY SETS				
1-452	COLD CARTRIDGE FOR 1-500U, 1-532U	126		
1-453	HOT CARTRIDGE FOR 1-500U, 1-532U, 1-606U CARTRIDGE	126		
1-455	RETAINING NUT 1-500U, 1-532U, 1-606U, 1-607U	79		
2-631	AERATOR 1.2 GPM FOR 1690 SERIES	38	51	57
2-633	AERATOR 1.2 GPM FOR 930, 1000 SERIES	59	79	88
2-658	AERATOR 1.2 GPM FOR 2460 SERIES WALL LAV	70	95	90
2-693	AERATOR 1.2 GPM - W/S & WALL LAV FOR 990, 2950, 2960 SERIES	70	95	90
2-765	AERATOR 1.2 GPM FOR 1760 SERIES	78	105	100
8-176	AERATOR 1.2 GPM - W/S & WALL MOUNTED LAV FOR 2560, 2990	34	48	56
10489	4" ALL-THREAD NIPPLE/COUPLING	26		
10631	ALL THREAD NIPPLE	14		
12402	FLOW REGULATOR 1.2 GPM FOR 2-633	9		
12403	FLOW REGULATOR 1.2 GPM FOR 2-631, 2-658, 2-693, 2-765, 8-176	7		
12404	FLOW REGULATOR 1.2 GPM FOR 2-627	4		
12405	AERATOR 1.2 GPM FOR WIDESPREAD & WALL MOUNTED LAV	13		
12406	AERATOR 1.2 GPM FOR 2550 WALL MOUNTED LAV	13		
ALEXANDRIA (1090)				
10973	POP UP KNOB	59	79	88
11843	BASE RING FOR WIDESPREAD	53	70	67
10175	BASE RING FOR RT	147	208	250
12172	HANDLE ESCUTCHEON	75	93	104
3-248	LEVER HANDLE FOR 1090 SERIES	354	494	593
3-260	ROMAN TUB SPOUT	924	1250	1500
3-342	WIDESPREAD SPOUT FOR 1090	704	951	906
5-011	MOUNTING HARDWARE FOR DECK FLANGE	37		
91082	O-RING FOR 12172, 12240 HANDLE ESCUTCHEON	3		
ALVESTON (890)				
10021	POP UP KNOB FOR 1020, 7200, 850C, 890	37	51	57
10095	BONNET FOR 1740, 890	81	110	132
10313	BASE RING FOR RT	102	140	133
3-178	ROMAN TUB SPOUT FOR SERIES 850, 890, 1740	534	750	902
3-348	WIDESPREAD SPOUT FOR 850C, 890, 1740	455	565	625

PARTS PRICE LIST

ITEM NO.	DESCRIPTION	I	II	III
AMISA (980, 1020)				
10010	POP-UP KNOB FOR 7000, 850, 980	34	48	56
10021	POP UP KNOB FOR 1020, 7200, 850C, 890	37	51	57
10437	ESCUTCHEON	122	170	207
10438	BASE RING FOR ESCUTCHEON, LAV. & WALL TUB SPOUT	91	129	153
10575	RT SPOUT BASE RING	148	208	252
10854	BASE RING FOR LAV. & ROMAN TUB SPOUT FOR 1020 SERIES	148	208	237
3-236	ROMAN TUB SPOUT FOR 1020	725	1016	1217
3-345	WIDESPREAD SPOUT FOR 980	520	650	775
3-347	WIDESPREAD SPOUT FOR 1020	455	625	750
91365	RT BASE O-RING	3		
ANISE (880)				
10104	POP-UP KNOB	62	89	108
10175	BASE RING FOR RT	147	208	250
10973	POP UP KNOB	59	79	88
12172	ESCUTCHEON	75	93	104
2-285	LEVER HANDLE FOR 1090	190	269	327
2-297	POP-UP KNOB FOR 1070 OR 1080	96	125	144
3-249	WIDESPREAD SPOUT FOR 1090 & 880C	641	897	1046
3-260	ROMAN TUB SPOUT	924	1250	1500
3-356	WIDESPREAD SPOUT FOR 880	641	897	1073
91082	O-RING FOR 12172, 12240 HANDLE ESCUTCHEON	3		
ASTOR (910, 920)				
10961	POP-UP KNOB	34	48	56
1-588	CARTRIDGE/SLEEVE ASSEMBLY FOR 9203, 9208	96		
2-162	ROMAN TUB SPOUT FOR SERIES 1200, 910, 920	686	956	1148
2-623	HANDLE ASSEMBLY FOR 9203, 9208	104	131	147
3-346	WIDESPREAD SPOUT FOR 1200, 1220, 1230, 910, 920	369	516	615
AYLESBURY (2400, 2410, 2420, 2430)				
11583	POP UP KNOB	33	46	44
11588	HANDLE CAP	30	33	38
1-242	CARTRIDGE FOR 2403, 2433, 2493	37		
1-654	FLOW REGULATOR ASM FOR 2040, 2060, 2400, 2410, 2420, 2430, 2440, 2540, 2560, 2990	72		
2-670	RT SPOUT BASE RING	60	81	77
2-767	WIDESPREAD SPOUT ASSEMBLY FOR 2400, 2410	402	475	575
2-768	WIDESPREAD SPOUT ASSEMBLY FOR 2420, 2430	386	563	645
2-832	LEVER FOR 2433	205	277	264
3-380	WALL MOUNTED LAV SPOUT	200	268	312
3-384	ROMAN TUB SPOUT	469	637	731
91255	O-RING FOR HANDLE CAP	3		
91386	RT SPOUT BASE RING	3		
92141	SCREW FOR HANDLE	3		

PARTS PRICE LIST

ITEM NO.	DESCRIPTION	I	II	III
BEVELLE (1740)				
10095	BONNET FOR 1740, 890	81	110	132
10313	BASE RING FOR RT	102	140	133
11181	POP-UP KNOB	34	48	56
3-289	LEVER HANDLE FOR 1740	394	530	638
3-178	ROMAN TUB SPOUT FOR SERIES 850, 890, 1740	534	750	902
3-348	WIDESPREAD SPOUT FOR 850C, 890, 1740	455	565	625
91365	RT BASE O-RING	3		
CHESTERFIELD (930, 1030)				
10829	POP UP KNOB FOR 930, 930L, 1030	107	148	141
10413	RT SPOUT BASE RING	97	130	124
10419	BENT POP UP KNOB FOR 932	70	95	90
10539	POP UP KNOB FOR 932	44	58	67
10961	POP-UP KNOB	34	48	56
1-005	COLD CART FOR LAV BRIDGE FAUCETS	68		
1-006	HOT CART FOR LAV BRIDGE FAUCETS	68		
1-001	W/S COLD CARTRIDGE	67		
1-002	W/S HOT CARTRIDGE	67		
2-210	ROMAN TUB SPOUT	499	641	770
2-213	WALL MOUNTED LAV SPOUT LONG VERSION	558	751	715
2-218	WALL MOUNTED LAV SPOUT	461	642	611
2-400	POP UP GUIDE FOR LAV BRIDGE FAUCETS	40	56	53
3-360	WIDESPREAD SPOUT FOR 930, 930L, 1000, 1030	369	515	616
CLEMENS (3250, 3260)				
12403	AERATOR INSERT 1.2 GPM	7		
1-676	WIDESPREAD VALVE MOUNTING KIT	209		
13137	RT SPOUT BASE RING	51	70	67
3-636	ROMAN TUB SPOUT	466	630	600
3-639	WALL MOUNTED LAV SPOUT FOR CLEMENS	374	505	481
3-633	WIDESPREAD SPOUT FOR 3250 & 3260	415	561	534
91500	AERATOR GASKET	2		
DORRANCE (2970, 2980)				
10842	RT SPOUT BASE RING	53	70	67
12499	POP UP KNOB	33	46	44
1-001	W/S COLD CARTRIDGE	67		
1-002	W/S HOT CARTRIDGE	67		
1-226	WIDESPREAD VALVE MOUNTING KIT (QTY 2 NEEDED)	124		
3-225	ROMAN TUB SPOUT FOR 990 & 1500 SERIES	466	652	781
3-574	WIDESPREAD SPOUT FOR 2970 & 2980	373	502	478
3-578	WALL MOUNTED LAV SPOUT	353	476	453
91571	AERATOR KEY FOR W/S	3		
91231	RT SPOUT BASE O-RING	3		

PARTS PRICE LIST

ITEM NO.	DESCRIPTION	I	II	III
EAST LINEAR (990,1500)				
10620	BONNET	81	112	133
10827	POP-UP KNOB	39	48	56
10842	RT SPOUT BASE RING	53	70	67
1-100	CART FOR 1503 & 1508	175		
2-334	HANDLE FOR 1503 & 1508	214	301	287
2-693	AERATOR 1.2 GPM - W/S & WALL LAV FOR 990, 2950, 2960 SERIES	70	95	90
3-225	ROMAN TUB SPOUT FOR 990 & 1500 SERIES	466	652	781
3-744	WALL MOUNTED LAV SPOUT FOR SERIES 1500, 2950, 990	466	652	621
3-233	WIDESPREAD SPOUT FOR SERIES 1500, 2920, 990	532	742	895
91231	RT SPOUT BASE O-RING	3		
EAST SQUARE (1400)				
10827	POP UP KNOB	39	48	56
10842	RT SPOUT BASE RING	53	70	67
3-274	WIDESPREAD SPOUT FOR 1400, 2950	585	742	895
3-275	ROMAN TUB SPOUT	473	672	760
91231	RT SPOUT BASE O-RING	3		
FAIRFIELD (1000, 2100)				
10289	POP UP KNOB FOR 1000, 1690	34	48	56
10413	RT SPOUT BASE RING	97	130	124
10961	POP-UP KNOB	34	48	56
1-005	COLD CART FOR LAV BRIDGE FAUCETS	68		
1-006	HOT CART FOR LAV BRIDGE FAUCETS	68		
2-210	ROMAN TUB SPOUT	499	641	770
2-213	WALL MOUNTED LAV SPOUT LONG VERSION	558	751	715
2-218	WALL MOUNTED LAV SPOUT	461	642	611
2-400	POP UP GUIDE FOR LAV BRIDGE FAUCETS	40	56	53
2-633	AERATOR 1.2 GPM FOR 930, 1000, 1690 WALL LAV	59	79	88
3-360	WIDESPREAD SPOUT FOR 930, 930L, 1000, 1030	369	515	616
GRIFFEY (13270, 3280)				
12403	AERATOR INSERT 1.2 GPM	7		
1-676	WIDESPREAD VALVE MOUNTING KIT	209		
13141	RT SPOUT BASE RING	51	70	67
3-637	ROMAN TUB SPOUT	466	630	600
3-640	WALL MOUNTED LAV SPOUT FOR GRIFFEY	374	505	481
3-634	WIDESPREAD SPOUT FOR 3270 & 3280	415	561	534
91500	AERATOR GASKET	2		
ITHACA (2550)				
11403	AERATOR KEY	4		
11579	POP UP KNOB FOR 9203	33	46	44
12406	AERATOR 1.2 GPM FOR 2550 WALL MOUNTED LAV	13		
1-226	WIDESPREAD VALVE MOUNTING KIT (QTY 2 NEEDED)	124		
1-588	CARTRIDGE/SLEEVE ASSEMBLY FOR 9203, 9208	96		
2-623	HANDLE ASSEMBLY FOR 9203, 9208	104	131	147
3-432	ROMAN BATH SPOUT FOR 3-2557	854	1154	1324
3-433	ROMAN BATH SPOUT FOR 3-2556	891	1202	1202
8-061	WIDESPREAD SPOUT ASSEMBLY	775	898	950
8-072	WALL LAVATORY/SHOWER ARM ESCUTCHEON	95	125	142
8-074	WALL MOUNTED LAV SPOUT	479	576	623
8-080	RT SPOUT BASE RING	141	191	182
80158	POP-UP KNOB	46	61	69

PARTS PRICE LIST

ITEM NO.	DESCRIPTION	I	II	III
JACOBAN (2460, 2470)				
11583	POP UP KNOB	33	46	44
11588	HANDLE CAP	30	33	38
1-234	THERMOSTATIC WALL PLATE	197		
2-636	HANDLE ASSEMBLY - LEVER	127	169	197
2-637	HANDLE ASSEMBLY - CROSS	229	310	356
2-658	AERATOR 1.2 GPM FOR 2460 SERIES WALL LAV	70	95	90
2-659	TUB/SHOWER BP BACKPLATE FOR 2400 SERIES	282	383	439
2-661	SHOWER ONLY BP BACKPLATE FOR 2400 SERIES	488	660	760
2-670	RT SPOUT BASE RING	60	81	77
3-381	WALL LAVATORY SPOUT	209	289	314
3-435	WIDESPREAD SPOUT	329	468	501
3-386	ROMAN TUB SPOUT	478	648	617
8-039	BIDET DIVERTER/VACUUM BREAKER ASM	407	548	630
92141	SCREW FOR HANDLE	3		
91158	O-RING FOR HANDLE CAP	3		
91386	RT SPOUT BASE RING	3		
JOFFREY (2570)				
12363	POP UP KNOB	57	79	75
12407	AERATOR 1.2 GPM FOR W/S	13		
1-226	WIDESPREAD VALVE MOUNTING KIT (QTY 2 NEEDED)	124		
20-112	W/S SPOUT	607	822	783
20-129	ROMAN TUB SPOUT	735	992	945
91362	ROMAN TUB SPOUT O RING	3		
91571	AERATOR KEY FOR W/S	3		
KEATON (2490, 2493)				
11738	POP UP KNOB	83	112	107
1-226	WIDESPREAD VALVE MOUNTING KIT (QTY 2 NEEDED)	124		
1-242	CARTRIDGE FOR 2403, 2433, 2493	37		
1-243	ADAPTER ASM R/T	42		
2-715	RT SPOUT BASE RING	67	92	88
2-925	HANDLE FOR 2493	148	201	191
3-402	W/S SPOUT FOR 2490, 3120 SERIES	480	648	617
3-403	ROMAN TUB SPOUT FOR 2490 & 3120 SERIES	547	739	704
3-406	WALL MOUNTED LAV SPOUT 2490 & 3120 SERIES	240	326	310
KIRSI (3120)				
11738	POP UP KNOB	83	112	107
1-226	WIDESPREAD VALVE MOUNTING KIT (QTY 2 NEEDED)	124		
1-243	ADAPTER ASM R/T	42		
2-715	RT SPOUT BASE RING	67	92	88
3-402	W/S SPOUT FOR 2490, 3120 SERIES	480	648	617
3-403	ROMAN TUB SPOUT FOR 2490 & 3120 SERIES	547	739	704
3-406	WALL MOUNTED LAV SPOUT 2490 & 3120 SERIES	240	326	310
3-611	W/S SPOUT FOR 3130	564	761	725
91571	AERATOR KEY FOR W/S	3		
MALVINA (3140)				
12551	POP UP KNOB	39	54	51
12555	R/T BASE RING	116	158	150
1-226	WIDESPREAD VALVE MOUNTING KIT (QTY 2 NEEDED)	124		
3-579	W/S SPOUT FOR 3140, 3150	431	579	551
3-582	ROMAN TUB SPOUT	845	1141	1087
91571	AERATOR KEY FOR W/S	3		
91661	R/T BASE O-RING	3		

PARTS PRICE LIST

ITEM NO. DESCRIPTION	I	II	III
METRO (2540)			
10961 POP UP KNOB	34	48	56
12266 RT SPOUT BASE RING	116	158	150
1-001 W/S COLD CARTRIDGE	67		
1-002 W/S HOT CARTRIDGE	67		
1-226 WIDESPREAD VALVE MOUNTING KIT (QTY 2 NEEDED)	124		
1-654 FLOW REGULATOR ASM FOR 2040, 2060, 2400,2410, 2420, 2430, 2440, 2540, 2560, 2990	72		
2-941 ROMAN TUB SPOUT	721	977	930
3-436 WIDESPREAD SPOUT ASSEMBLY	604	817	936
8-036 BASE PLATE FOR ROMAN BATH SPOUT	195	233	253
8-037 ROMAN BATH SPOUT ASSEMBLY	1046	1256	1359
80030 POP-UP KNOB - W/S	166	200	215
80080 POP-UP KNOB - BIDET	164	200	215
METROPOLE (1200)			
10961 POP UP KNOB	34	48	56
1-259 CART FOR 1203, 1203-1, 1233, 1233-1	43		
2-162 ROMAN TUB SPOUT FOR SERIES 1200, 910, 920	686	956	1148
2-627 WIDESPREAD AERATOR	44	59	56
3-346 WIDESPREAD SPOUT FOR 1200, 1220, 1230, 910, 920	369	516	615
3-539 W/S SPOUT FOR 1200C, 1220C, 1230C	597	805	767
91571 AERATOR KEY FOR W/S	3		
MIRO (1600, 1620)			
11415 BASE RING FOR WIDESPREAD SPOUT	66	90	86
11092 POP-UP KNOB	38	51	57
11094 RT SPOUT BASE RING	97	131	159
2-627 WIDESPREAD AERATOR	44	59	56
2-437 ROMAN TUB SPOUT	881	1191	1428
2-628 WIDESPREAD AERATOR	48	63	71
3-340 WIDESPREAD SPOUT	642	863	1035
MUNCY (3290)			
12403 AERATOR INSERT 1.2 GPM	7		
10827 POP-UP KNOB	39	48	56
1-676 WIDESPREAD VALVE MOUNTING KIT	209		
10842 RT SPOUT BASE RING	53	70	67
92006 SET SCREW FOR 10842	1		
92422 HEX KEY FOR 92006 SCREW	1		
3-696 ROMAN TUB SPOUT	466	630	600
3-694 WALL MOUNTED LAV SPOUT FOR MUNCY	374	505	481
3-691 WIDESPREAD SPOUT FOR 3290	363	491	468
91500 AERATOR GASKET	2		
PARDEES 3230, 3240)			
12403 AERATOR INSERT 1.2 GPM	7		
1-676 WIDESPREAD VALVE MOUNTING KIT	209		
13133 RT SPOUT BASE RING	51	70	67
3-635 ROMAN TUB SPOUT	466	630	600
3-638 WALL MOUNTED LAV SPOUT FOR PARDEES	374	505	481
3-632 WIDESPREAD SPOUT FOR 3230 & 3240	415	561	534
91500 AERATOR GASKET	2		

PARTS PRICE LIST

ITEM NO.	DESCRIPTION	I	II	III
PAVANI (3100, 3110)				
11738	POP UP KNOB	83	112	107
12407	AERATOR 1.2 GPM FOR W/S	13		
1-226	WIDESPREAD VALVE MOUNTING KIT (QTY 2 NEEDED)	124		
1-243	ADAPTER ASM R/T	42		
2-942	RT SPOUT BASE RING	63	87	83
3-401	ROMAN TUB SPOUT	328	442	421
3-418	WALL MOUNTED LAV SPOUT 2480 & 3100 SERIES	338	460	438
3-420	WIDESPREAD SPOUT 2480 & 3100	524	708	674
3-612	WIDESPREAD SPOUT FOR 3110	320	434	413
91571	AERATOR KEY FOR W/S	3		
PRIYA (2403, 2480)				
11738	POP UP KNOB	83	112	107
11768	HANDLE FOR 2403	78	105	100
1-242	CARTRIDGE FOR 2403, 2433, 2493	37		
2-942	RT SPOUT BASE RING	63	87	83
3-401	ROMAN TUB SPOUT	328	442	421
3-418	WALL MOUNTED LAV SPOUT 2480 & 3100 SERIES	338	460	438
3-420	WIDESPREAD SPOUT 2480 & 3100	524	708	674
92090	O RING FOR 2403 HANDLE	4		
91571	AERATOR KEY FOR W/S	3		
SEAPORT (850)				
10010	POP-UP KNOB FOR 7000, 850, 980	34	48	56
10016	ESCUTCHEON FOR 850	112	159	188
10021	POP UP KNOB FOR 1020, 7200, 850C, 890	37	51	57
10313	BASE RING FOR RT	102	140	133
3-178	ROMAN TUB SPOUT FOR SERIES 850, 890, 1740	534	750	902
3-344	WIDESPREAD SPOUT FOR 850	397	556	666
3-348	WIDESPREAD SPOUT FOR 850C, 890, 1740	455	565	625
91231	RT SPOUT BASE O-RING	3		
91365	RT BASE O-RING	3		
SECANT (2040)				
12162	LEVER FOR 2043	39	54	51
1-226	WIDESPREAD VALVE MOUNTING KIT (QTY 2 NEEDED)	124		
1-298	CART FOR 2043	37		
1-654	FLOW REGULATOR ASM FOR 2040, 2060, 2400,2410, 2420, 2430, 2440, 2540, 2560, 2990	72		
30358	POP UP KNOB	39	54	51
3-327	WALL MOUNTED LAV SPOUT	423	570	652
3-370	ROMAN TUB SPOUT	580	752	866
3-434	WIDESPREAD SPOUT	600	810	930
SKYLAR (2560, 2990)				
10288	POP-UP ROD	48	56	67
1-226	WIDESPREAD VALVE MOUNTING KIT (QTY 2 NEEDED)	124		
1-654	FLOW REGULATOR ASM FOR 2040, 2060, 2400,2410, 2420, 2430, 2440, 2540, 2560, 2990	72		
2-941	ROMAN TUB SPOUT	721	977	930
3-436	WIDESPREAD SPOUT ASSEMBLY	604	817	936
8-028	WALL MOUNTED LAV SPOUT	680	818	883
8-037	ROMAN BATH SPOUT ASSEMBLY	1046	1256	1359
8-176	AERATOR 1.2 GPM - W/S & WALL MOUNTED LAV FOR 2560, 2990	34	48	56
80030	POP-UP KNOB - W/S	166	200	215

PARTS PRICE LIST

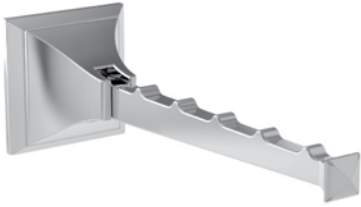
ITEM NO.	DESCRIPTION	I	II	III
SLATER (2920)				
10827	POP UP KNOB	39	48	56
2-101	BASE RING FOR WIDESPREAD OR KITCHEN SPOUT	97	133	162
2-693	AERATOR 1.2 GPM - W/S & WALL LAV FOR 990, 2950, 2960 SERIES	70	95	90
2-941	ROMAN TUB SPOUT	721	977	930
3-233	WIDESPREAD SPOUT FOR SERIES 1500, 2920, 990	532	742	895
3-274	WIDESPREAD SPOUT FOR 1400, 2950	585	742	895
3-613	WIDESPREAD SPOUT FOR 2960	257	348	331
SUTTON (2440, 2450)				
11583	POP UP KNOB	33	46	44
11588	HANDLE CAP	30	33	38
11610	HANDLE BONNET	44	58	67
2-656	HANDLE ESCUTCHEON ASM	61	86	97
2-769	WIDESPREAD SPOUT FOR 2440/2450	454	662	758
3-385	ROMAN TUB SPOUT	555	750	714
3-387	SPOUT FOR 2440 SERIES	237	321	369
8-039	BIDET DIVERTER/VACUUM BREAKER ASM	407	548	630
91255	O-RING FOR HANDLE CAP	3		
92141	SCREW FOR HANDLE ASSEMBLY	3		
VANDER (2900, 2910)				
12372	POP UP KNOB	57	79	75
12407	AERATOR 1.2 GPM FOR W/S	13		
1-226	WIDESPREAD VALVE MOUNTING KIT (QTY 2 NEEDED)	124		
20-114	WIDESPREAD SPOUT	512	691	658
20-128	ROMAN TUB SPOUT	597	805	767
91298	WIDESPREAD SPOUT O-RING	3		
91365	RT BASE O-RING	3		
91571	AERATOR KEY FOR W/S	3		
VICTORIA (1760, 1770)				
30225	POP-UP KNOB	34	48	56
2-496	RT SPOUT BASE RING	123	159	183
2-535	WIDESPREAD SPOUT BASE RING	82	110	131
2-765	AERATOR 1.2 GPM FOR 1760 SERIES	78	105	100
3-295	WIDESPREAD SPOUT	462	624	714
3-296	ROMAN TUB SPOUT	863	1168	1112
3-297	WALL MOUNTED LAV SPOUT	410	554	636



GINGER[®]

Luxury For Your Lifestyle™

2023 PRICEBOOK



CAYDEN [P394](#)



CHELSEA [P396](#)



CINU [P400](#)



COLUMNAR [P402](#)



DYAD [P405](#)



EAVON [P408](#)



EMPIRE [P410](#)



FRAME [P413](#)



GARNSEY [P415](#)



HOTELIER [P418](#)



KUBIC [P421](#)



LINEAL [P426](#)



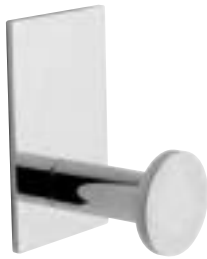
LONDON
TERRACE [P429](#)



PAVIN [P432](#)



SINE [P435](#)



SURFACE [P438](#)



BASKETS [P443](#)



GRAB BARS [P447](#)



HOTEL SHELVES [P450](#)



LIGHTS [P453](#)



MIRRORS [P457](#)

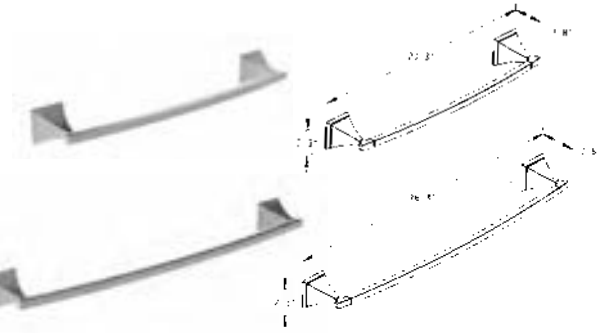
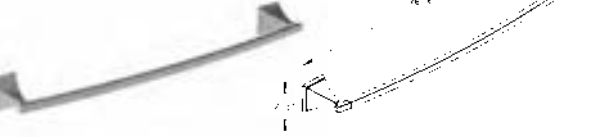



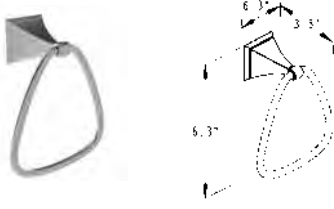

SHOWER ROD [P461](#)

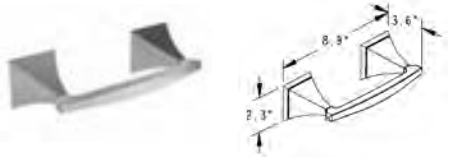

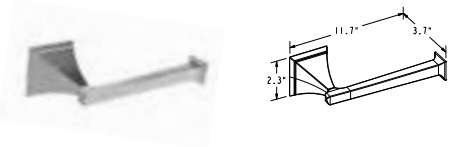



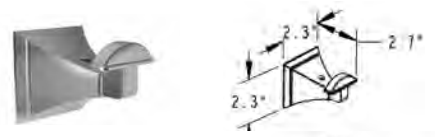

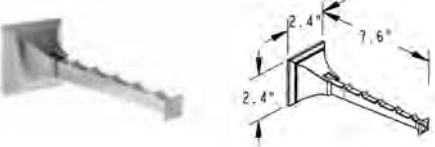
REPLACEMENT PARTS
[P464](#)

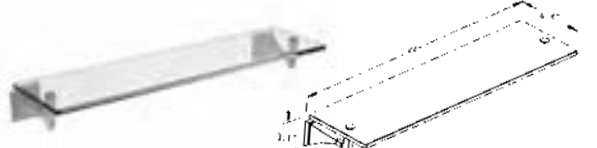
CAYDEN

towel bars		item	description	PC	PN SN
		4902	18" Towel Bar	247	296
		4903	24" Towel Bar 	279	335

towel rings				PC	PN SN
		4905	Towel Ring 	231	279

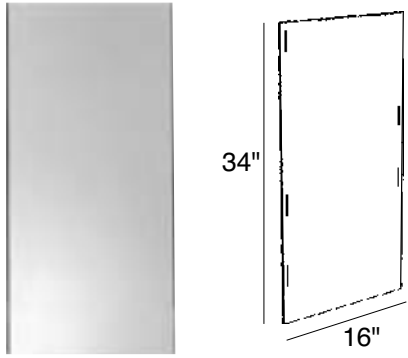
toilet tissue holders				PC	PN SN
		4908	Double Post Toilet Tissue Holder 	262	316
		4906	Open Toilet Tissue Holder 	217	260

hooks				PC	PN SN
		4910	Single Robe Hook 	124	139
		4917	Valet Hook	263	290

toiletory shelves				PC	PN SN
		4934T-24	24" Shelf	296	356



mirror	item description NO FINISH
--------	----------------------------


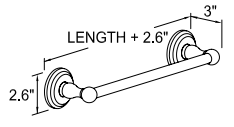

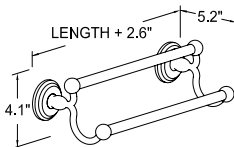





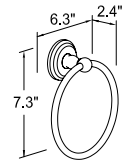


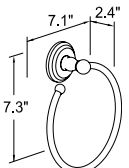

4641N	Frameless Mirror 16" x 34" Overall	412
-------	---------------------------------------	-----


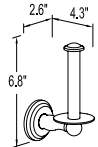

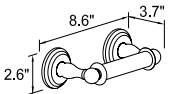


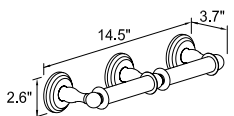

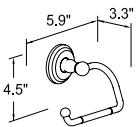


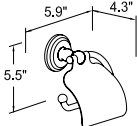
notes	
-------	--

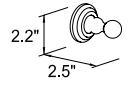
1) Toiletry Shelves: Glass is tempered.

CHELSEA

towel bars		item	description	PC	PN SN
		1101	12\" Towel Bar	197	233
		1102	18\" Towel Bar 	208	253
		1103	24\" Towel Bar 	227	269
		G1104	32\" Towel Bar	260	312
		1122-18	18\" Double Towel Bar	419	501
		1122-24	24\" Double Towel Bar	451	541
		1122-32	32\" Double Towel Bar	454	NA

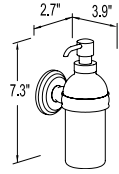
towel rings				PC	PN SN
		1105	Towel Ring 	154	185
		1121	Towel Ring - Open 	192	230

toilet tissue holders				PC	PN SN
		1107	Spare Toilet Tissue Holder	183	221
		1108N	Double Post Toilet Tissue Holder 	204	248
		1108D	Double Toilet Tissue Holder	348	420
		1109	Hanging Toilet Tissue Holder 	192	230
		1127	Hooded Toilet Tissue Holder	219	262

hooks				PC	PN SN
		1110	Single Robe Hook 	68	76
		1111	Double Robe Hook 	138	151



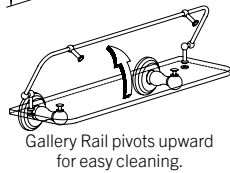
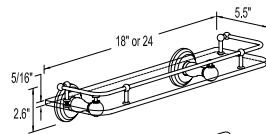
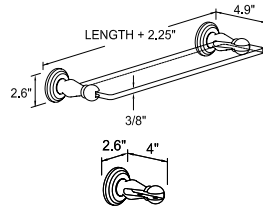
soap dishes



item	description	PC	PN SN
------	-------------	----	----------

1114	Soap/Lotion Dispenser	253	307
------	-----------------------	-----	-----

toiletory shelves



item	description	PC	PN SN
------	-------------	----	----------

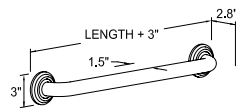
1118T-18	18" Shelf	322	385
----------	-----------	-----	-----

1118B	Replacement Shelf Bracket, Pair	267	312
-------	---------------------------------	-----	-----

1135T-18	18" Gallery Shelf	441	528
----------	-------------------	-----	-----

1135T-24	24" Gallery Shelf	498	NA
----------	-------------------	-----	----

grab bars

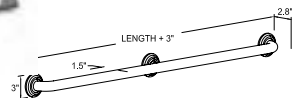


item	description	PC	PN SN
------	-------------	----	----------

HOW TO ORDER: STEP 1: Select Decorative Rings and Mounting Kit
STEP 2: Select Grab Bar Tube

920-2400	Decorative Rings and Mounting Kit	160	218
----------	-----------------------------------	-----	-----

STEP 2:			
5080	12" Grab Bar Tube	140	206
5081	16" Grab Bar Tube	166	233
5082	18" Grab Bar Tube	187	260
5083	24" Grab Bar Tube	224	301
5085	36" Grab Bar Tube	330	410



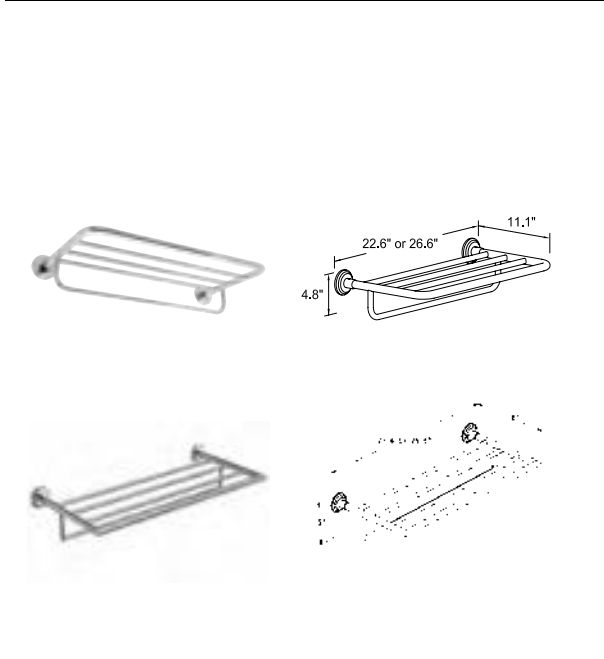
920-3942	42" Grab Bar**	599	781
----------	----------------	-----	-----

** Sold as a complete unit

Grab bars are ADA Compliant

CHELSEA

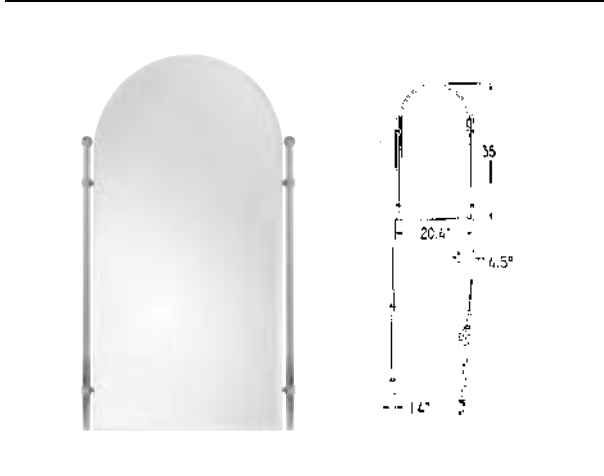
hotel shelves



lights



mirror




item	description	PC	PN SN
IMPORTANT: Order (1) Mounting Kit plus (1) Frame to make a complete unit.			
114B	Hotel Shelf Mounting Kit	137	164
XX43-20	20" Hotel Shelf Frame with Towel Bar	306	366
XX43-24	24" Hotel Shelf Frame with Towel Bar	326	387
XX43S-20	20" Hotel Shelf Frame with Towel Bar Squared Corners	384	463
XX43S-24	24" Hotel Shelf Frame with Towel Bar Squared Corners	415	497

item	description	PC	PN SN
1181	Single Light with Nightlight Option, Satin Etched Glass	429	513
1182	Double Light Satin Etched Glass	655	765

Please refer to Light Notes (p.456) for important information on light installation. See page 453 for replacement shades.

item	description	PC	PN SN
1141	Framed Mirror 20.39" x 35" Overall 18" x 35 Glass Only	748	859
MTM-009	Tilting Mechanism Optional**	88	88

 **Mirror tilts 4.5° with mechanism.



shower rod

PC PN
SN


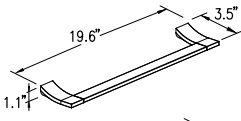

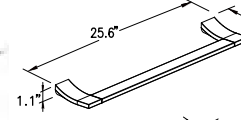


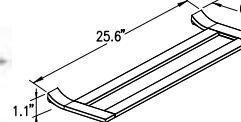

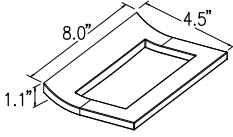


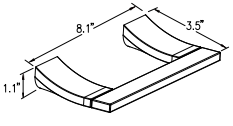


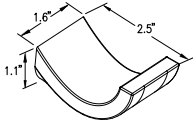


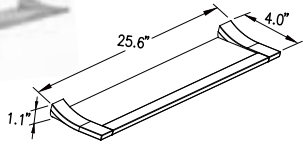


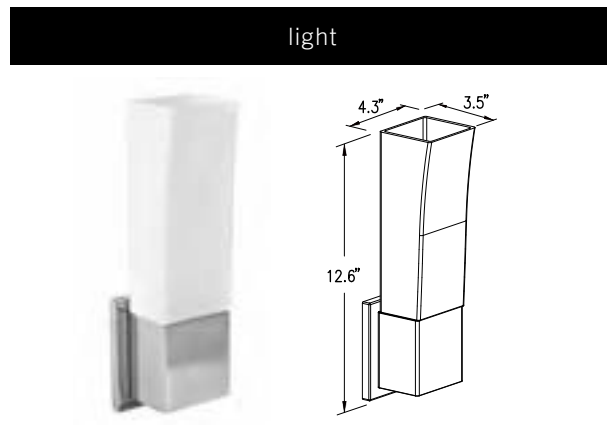
IMPORTANT: Order (1) Bracket Pair plus (1) Rod to make a complete unit. 6' Rod should be trimmed for use in smaller openings.

1139R-6	6' Shower Curtain Rod	186	225
1139B	Shower Rod Brackets Only, Pair	146	175
1139SR*	Shower Curtain Riings Set of 12	59	75

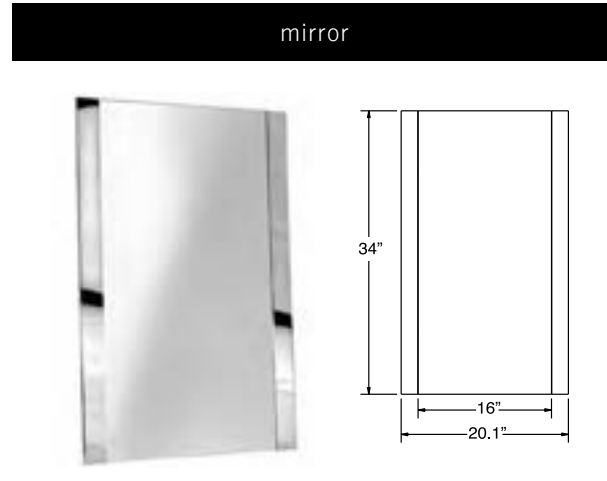
notes

- 1) Straight Shower Rods that are lacquered finished are likely to scratch from abrasion caused by sliding curtain rings. This item is not covered by GINGER's product warranty.
- 2) Lights are UL listed for damp locations. Top bulb uses A15 or A19 incandescent, 100 watt maximum. Bottom bulb uses C7, 7 watt maximum.
- 3) Toiletry Shelves: Glass is tempered.
- 4) Mirrors: Glass is beveled.

towel bars		item	description	PC	PN SN
		4702	18" Towel Bar	250	299
		4703	24" Towel Bar 	286	339
		4722-24	24" Double Towel Bar	439	519
towel ring				PC	PN SN
		4705-8	8" Towel Ring 	258	306
toilet tissue holders				PC	PN SN
		4708N	Double Post Toilet Tissue Holder Pivoting Arm 	262	316
hooks				PC	PN SN
		4710	Single Robe Hook 	109	129
toiletry shelf				PC	PN SN
		4734T-24	24" Shelf	303	364



item	description	PC	PN SN
Light use compact fluorescent bulb with a G24Q-2 base. 18-watt, 4-pin G24Q2, 2700K warm white color bulb included.			
4781	Single Light Satin Etched, Cased Opal Glass	459	529
40409	Replacement Light Shade	192	192



		PC	PN SN
Tilting mechanism may be used w/framed mirror.			
4741	Framed Mirror 20.04" x 34" Overall 16" x 34" Glass Only	810	966
MTM-009	Tilting Mechanism, Optional**	88	88
**Mirror tilts 4.5° with mechanism.			

notes

1) Lights are UL listed for damp locations. Bulb uses an 18-watt, 4-pin (G24Q-2) base, compact fluorescent lamp, 2700K warm white color.
2) Toiletry Shelves: Glass is tempered.
3) Mirrors: Glass is beveled.

COLUMNAR

towel bars		item	description	PC	PN SN
		4502	18" Towel Bar	258	308
		4503	24" Towel Bar	284	342
		4504	32" Towel Bar	290	347
		4522S	Double Swing Towel Bar	353	422

towel rings				PC	PN SN
		4505	Towel Ring	205	246
		4521	Towel Ring - Open	205	246

toilet tissue holders				PC	PN SN
		4508N	Double Post Toilet Tissue Holder	276	329
		4509	Hanging Toilet Tissue Holder	385	461
		4527	Double Post Toilet Tissue Holder with Glass Cover	353	422
		4528	Recessed Toilet Tissue Holder	422	508

hook				PC	PN SN
		4511	Double Robe Hook	248	269

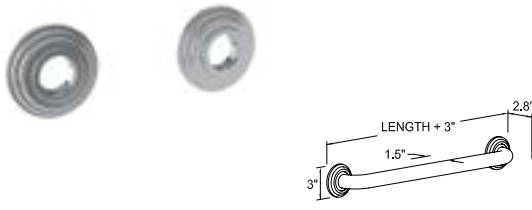


toiletary shelf

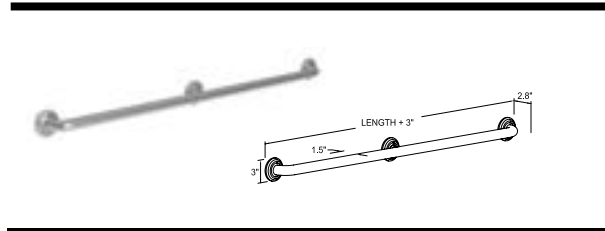


item	description	PC	PN SN
4534T-18	18" Shelf	306	366
4534T-24	24" Shelf	330	394

grab bars

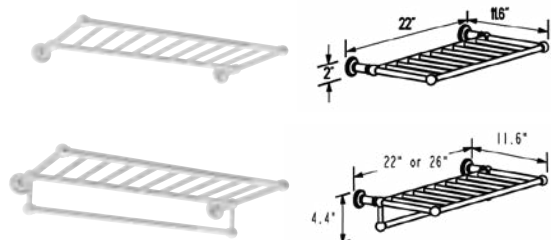


		PC	PN SN
HOW TO ORDER:			
STEP 1: Select Decorative Rings and Mounting Kit			
STEP 2: Select Grab Bar Tube			
STEP 1:			
920-2400	Decorative Rings and Mounting Kit	160	218
STEP 2:			
5080	12" Grab Bar Tube	140	206
5081	16" Grab Bar Tube	166	233
5082	18" Grab Bar Tube	187	260
5083	24" Grab Bar Tube	224	301
5085	36" Grab Bar Tube	330	410



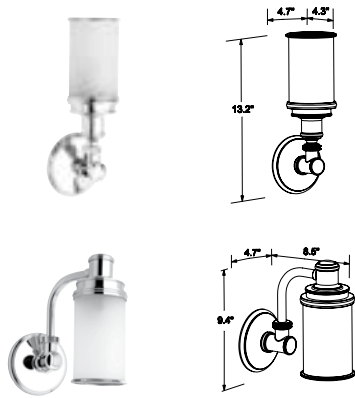
920-3942	42" Grab Bar**	599	781
	** Complete grab bar kit		
	Grab bars are ADA Compliant		

hotel shelves



		PC	PN SN
4540-20	20" Hotel Shelf	643	772
4543-20	20" Hotel Shelf with Towel Bar	775	931
4543-24	24" Hotel Shelf with Towel Bar	852	1,024


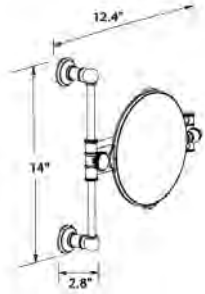

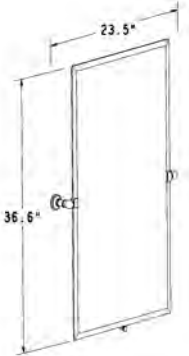
lights




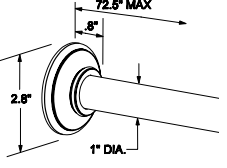

IMPORTANT: These lights are compact fluorescent bulbs with a GU24 socket. Incandescent bulbs can not be used with these lights. Bulb(s) included with initial purchase.

		PC	PN SN
4581-1	Single Light Satin Etched Glass*	651	778
4581-G-E	*Replacement Glass Shade Satin Etched Glass	186	195
4581	Single Pivoting Light Satin Etched Glass*	681	819

COLUMNAR

mirrors		item	description	PC	PN SN
		4544	Pivoting Vanity Mirror on Slide Bar	710	852
		4542	Frameless Pivoting Mirror 23.50" x 36.57" Overall 20" x 36.57" Glass Only	665	798

straight shower rod		PC	PN SN
---------------------	--	----	----------

		<p>IMPORTANT: Order (1) Bracket Pair plus (1) Rod to make a complete unit. 6' Straight Rods should be trimmed for use in smaller openings.</p>			
		1139R-6	6' Shower Curtain Rod	186	225
		4539B	Shower Rod Brackets Only, Pair	146	175
		1139SR*	Shower Curtain Rings Set of 12	59	75

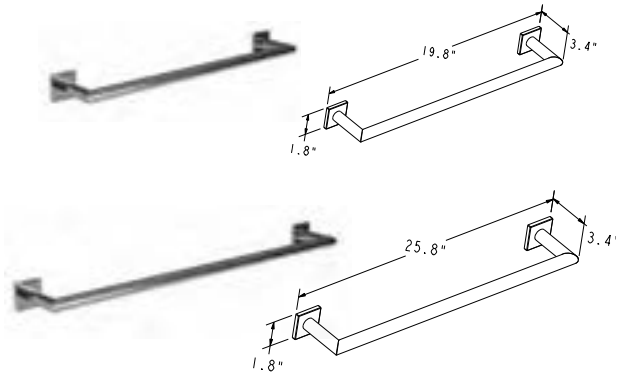
notes

- 1) Lights are UL listed for damp locations. Glass shades are satin etched. Bulbs are compact fluorescent, GU24 socket; bulb(s) included with initial purchase.
- 2) Toiletry shelves: glass is tempered.
- 3) Mirrors
 - a) Mirrors: beveled glass except 4544.
 - b) 4544: one side is 3x magnification.
- 4) Straight Shower Rods: with lacquered finishes are likely to scratch from abrasion caused by sliding curtain rings. This item is not covered by GINGER'S product warranty.

*Not available in PN



towel bars

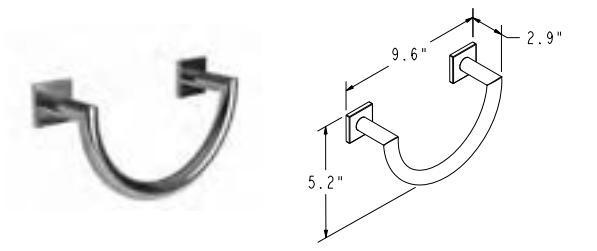


item	description	PC	PN SN
------	-------------	----	----------

5302	18" Towel Bar	214	255
------	---------------	-----	-----

5303	24" Towel Bar	251	300
------	---------------	-----	-----

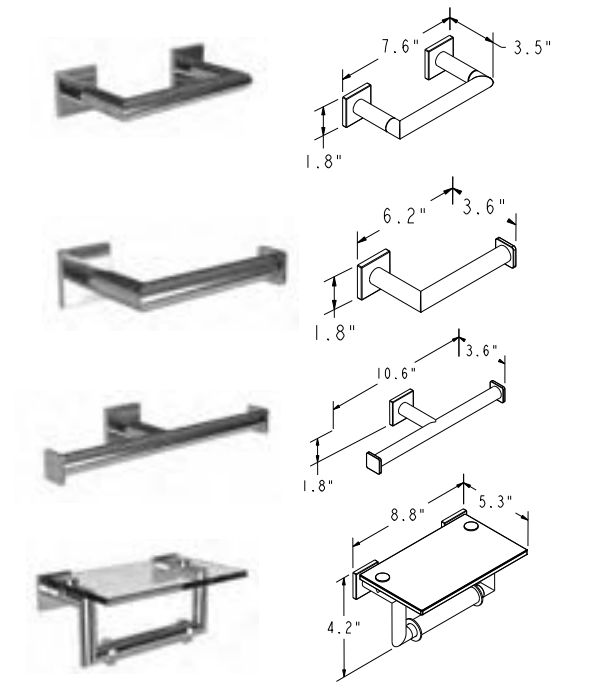
towel ring



item	description	PC	PN SN
------	-------------	----	----------

5305	Towel Ring	296	357
------	------------	-----	-----

toilet tissue holders



item	description	PC	PN SN
------	-------------	----	----------

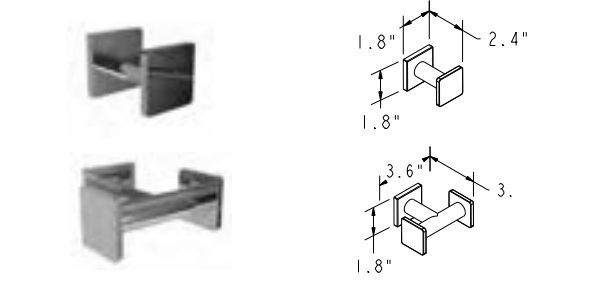
5308	Double Post Toilet Tissue Holder Pivoting Arm	237	299
------	--------------------------------------------------	-----	-----

5306	Open Toilet Tissue Holder	204	244
------	---------------------------	-----	-----

5309	Double Open Toilet Tissue Holder	216	269
------	----------------------------------	-----	-----

5327	Double Post Toilet Tissue Holder With Cover	313	393
------	------------------------------------------------	-----	-----

hooks



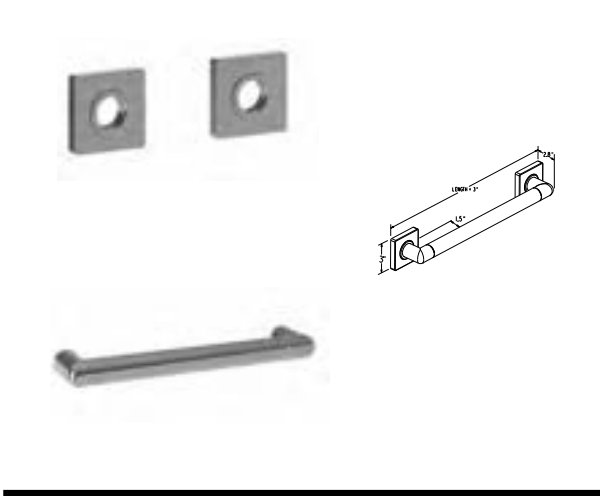
item	description	PC	PN SN
------	-------------	----	----------

5310	Single Robe Hook	74	81
------	------------------	----	----

5310D	Double Robe Hook	151	158
-------	------------------	-----	-----

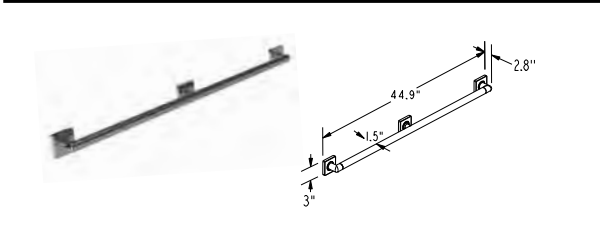
grab bars

item	description	PC	PN SN
------	-------------	----	----------



HOW TO ORDER: **STEP 1:** Select Decorative Rings and Mounting Kit
STEP 2: Select Grab Bar Tube

STEP 1:			
2040-2400	Decorative Rings and Mounting Kit	220	230
STEP 2:			
5080SQ	12" Grab Bar Tube	181	215
5081SQ	16" Grab Bar Tube	221	297
5082SQ	18" Grab Bar Tube	244	299
5083SQ	24" Grab Bar Tube	283	340
5085SQ	36" Grab Bar Tube	369	462



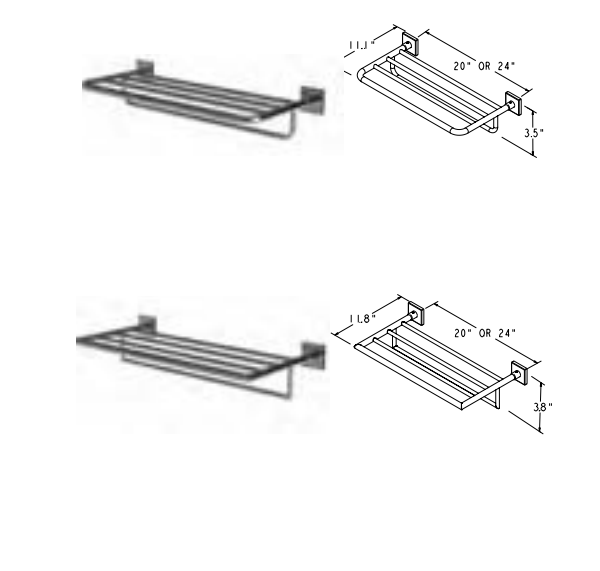
2040-3942	42" Grab Bar**	691	933
-----------	----------------	-----	-----

** Sold as a complete unit

Grab bars are ADA Compliant

hotel shelves

		PC	PN SN
--	--	----	----------

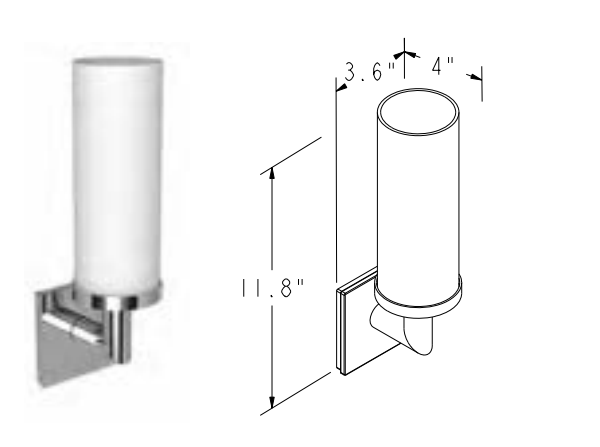


IMPORTANT: Order (1) Mounting Kit plus (1) Frame to make a complete unit.

524B	Hotel Shelf Mounting Kit	124	148
XX43-20	20" Hotel Shelf Frame with Towel Bar	306	366
XX43-24	24" Hotel Shelf Frame with Towel Bar	326	387
XX43S-20	20" Hotel Shelf Frame with Towel Bar Squared Corners	384	463
XX43S-24	24" Hotel Shelf Frame with Towel Bar Squared Corners	415	497

light

		PC	PN SN
--	--	----	----------



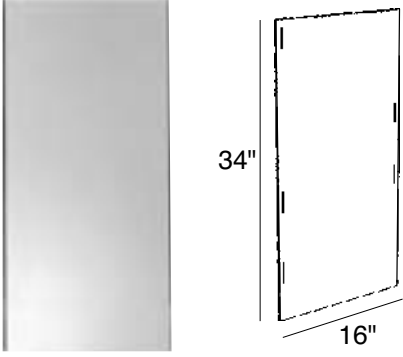
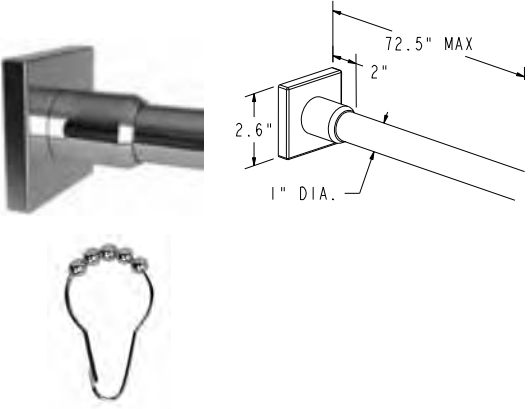
IMPORTANT: The backplate on the Dyad light 5381 is not of standard size. Provide the following information to your electrician and wall finisher for proper installation.

The Dyad Light 5381 is designed to mount onto a raised cover plate (also called a round plaster ring or a round raised mud ring) attached to an electrical box in the pre-drywall stage. Use two no. 8 tapped holes on 2 3/4" centers. Maximum area of finished wall opening that will be covered by the Dyad light backplate is 3 5/8" x 3 5/8".

5381	Single Light	447	539
3681-G-0	Replacement Glass Shade, Satin Etched, Cased Opal. Note finish when ordering (i.e. 3681-G-0/PC)	134	172






** ADA compliant.


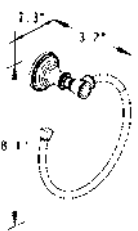




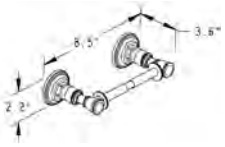


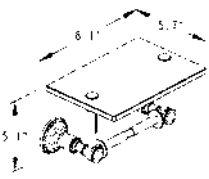
mirror	item	description	NO FINISH	
	4641N	Frameless Mirror 16" x 34" Overall	412	
straight shower rod	PC PN SN			
	1139R-6	6' Shower Curtain Rod	186	225
	5239B	Shower Rod Brackets Only, Pair	146	175
	1139SR*	Shower Curtain Rings Set of 12	59	75
notes				






- 1) Lights are UL listed for damp locations and are ADA compliant. Bulbs are A19 incandescent, 100 watt maximum.
- 2) Mirrors: Glass is beveled.
- 3) Straight Shower Rods: with lacquered finishes are likely to scratch from abrasion caused by sliding curtain rings. This item is not covered by GINGER'S product warranty.

EAVON

towel bars		item	description	PC	PN SN
		4802	18" Towel Bar	233	289
		4803	24" Towel Bar 	250	299

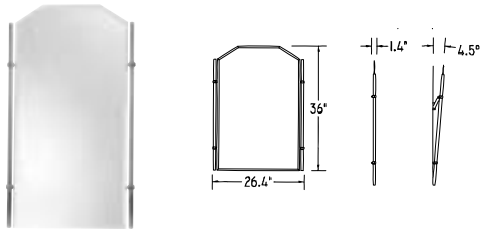
towel ring		item	description	PC	PN SN
		4821	Towel Ring - Open 	204	246

toilet tissue holders		item	description	PC	PN SN
		4808	Double Post Toilet Tissue Holder 	233	282
		4827	Double Post Toilet Tissue Holder with Glass Cover	269	324

hooks		item	description	PC	PN SN
		4811	Double Robe Hook 	233	264
		4817	Valet Hook	263	290



mirror



item	description	PC	PN SN
------	-------------	----	----------

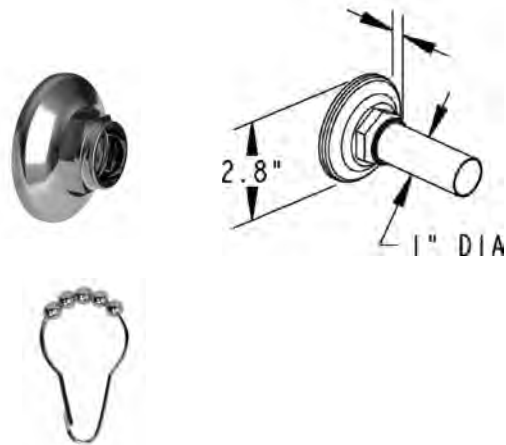
Tilting mechanism may be used w/framed or frameless mirror.

642	Framed Mirror 26.40" x 36" Overall 24" x 36" Glass Only	774	931
-----	---------------------------------------------------------------	-----	-----

MTM-009	Tilting Mechanism, Optional**	88	88
---------	----------------------------------	----	----

**Mirror tilts 4.5° with mechanism.

straight shower rod



		PC	PN SN
--	--	----	----------

IMPORTANT: Order (1) Bracket Pair plus (1) Rod to make a complete unit. 6' Straight Rods should be trimmed for use in smaller openings.

1139R-6	6' Shower Curtain Rod	186	225
---------	-----------------------	-----	-----

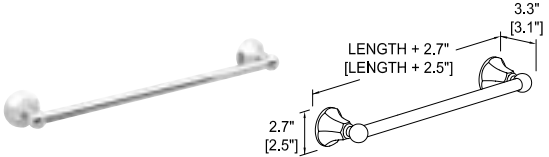


4839B	Shower Rod Brackets Only, Pair	146	175
-------	-----------------------------------	-----	-----

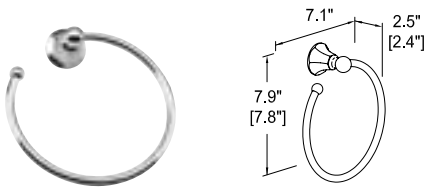

1139SR*	Shower Curtain Rings Set of 12	59	75
---------	-----------------------------------	----	----

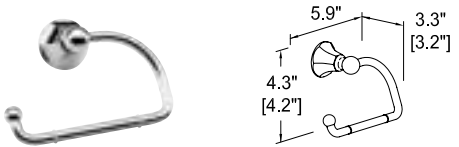

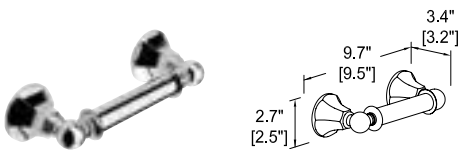

notes

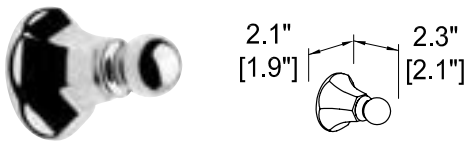

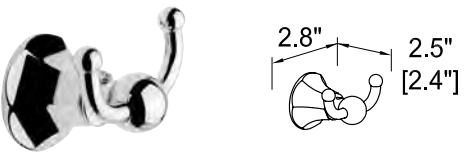

1) Straight Shower Rods: with lacquered finishes are likely to scratch from abrasion caused by sliding curtain rings. This item is not covered by GINGER'S product warranty.

EMPIRE

towel bars		item	description	PC	PN SN
	602	18" Towel Bar 	213	255	
	603	24" Towel Bar 	220	262	
	604	32" Towel Bar	250	299	

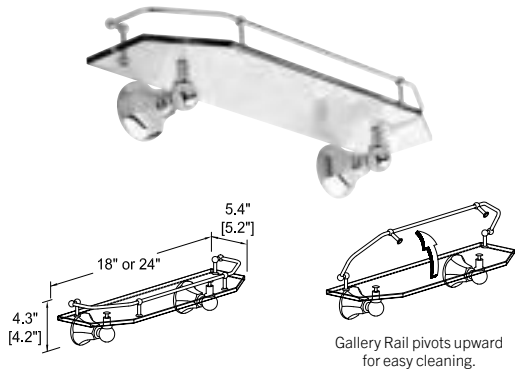
towel ring			PC	PN SN
	621	Towel Ring - Open 	184	221

toilet tissue holders			PC	PN SN
	609	Hanging Toilet Tissue Holder 	197	235
	608	Double Post Toilet Tissue Holder 	255	306

hooks			PC	PN SN
	610	Single Robe Hook 	104	111
	611	Double Robe Hook 	125	139



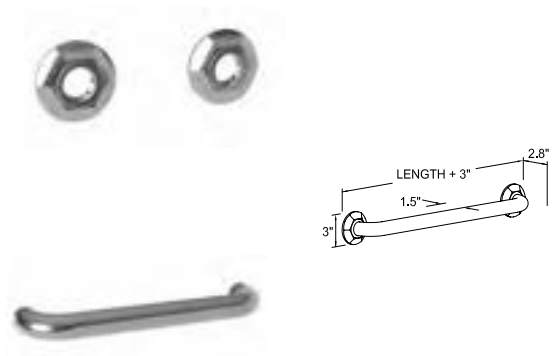
toiletty shelf



item	description	PC	PN SN
------	-------------	----	----------

635T-24	24" Gallery Shelf	499	599
---------	-------------------	-----	-----

grab bars



		PC	PN SN
--	--	----	----------

HOW TO ORDER: **STEP 1:** Select Decorative Rings and Mounting Kit
STEP 2: Select Grab Bar Tube

STEP 1:

1200-2400	Decorative Rings and Mounting Kit	160	218
-----------	-----------------------------------	-----	-----

STEP 2:

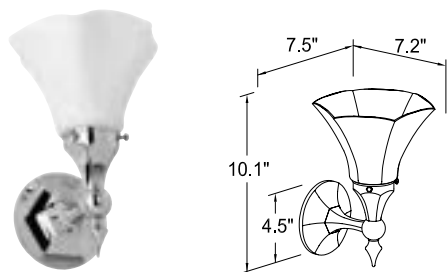
5080	12" Grab Bar Tube	140	206
5081	16" Grab Bar Tube	166	233
5082	18" Grab Bar Tube	187	260
5083	24" Grab Bar Tube	224	301
5085	36" Grab Bar Tube	330	410



1200-3942	42" Grab Bar**	599	781
-----------	----------------	-----	-----

Grab bars are ADA Compliant

light



		PC	PN SN
--	--	----	----------

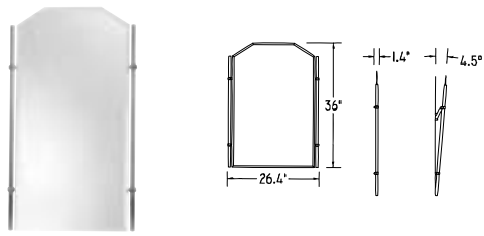
Empire single and double lights below may also be installed with the shades facing upward or downward.

682SO	Single Light Satin Opal Glass	435	521
682-G-SO	Replacement Glass Shade, Satin Opal	132	132

Please refer to Light Notes (p. 456) for important information on light installation.

EMPIRE


mirror	item	description	PC	PN SN
--------	------	-------------	----	----------



Tilting mechanism may be used w/framed or frameless mirror.

642	Framed Mirror 26.40" x 36" Overall 24" x 36" Glass Only	774	931
-----	---------------------------------------------------------------	-----	-----

MTM-009	Tilting Mechanism, Optional**	88	88
---------	----------------------------------	----	----


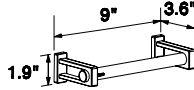

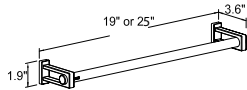

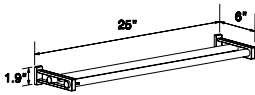

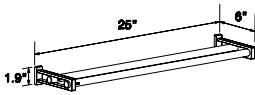
 **Mirror tilts 4.5° with mechanism.


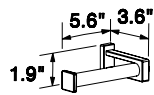

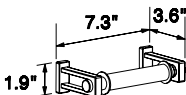
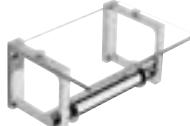
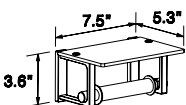
notes	
-------	--


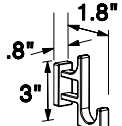

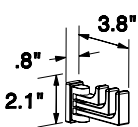
- 1) Lights are UL listed for damp locations. Bulbs are A15 or A19 incandescent, 100 watt maximum. Refer to Light Notes (p. 456) for important information.
- 2) Toiletry Shelves: Glass is tempered.
- 3) Mirrors: Glass is beveled.

FRAME

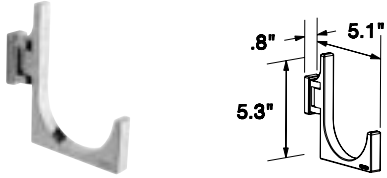

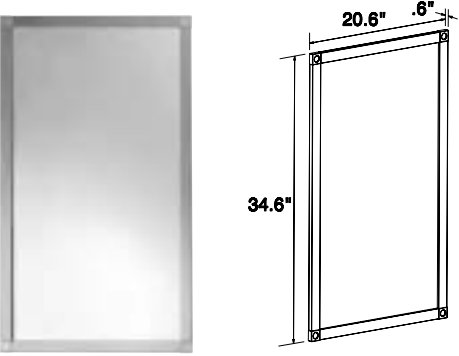


towel bars		item	description	PC	SN
		3001	8" Towel Bar	171	205
		3002	18" Towel Bar	186	220
		3003	24" Towel Bar	198	233
		3022-24	24" Double Towel Bar	306	367

toilet tissue holders				PC	SN
		3006	Open Toilet Tissue Holder	118	140
		3008	Double Post Tissue Holder	198	233
		3027	Double Post Tissue Holder with Cover	279	332


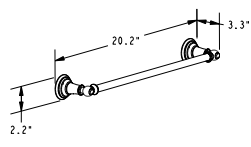

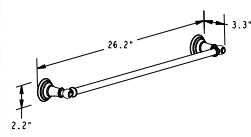


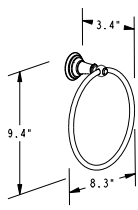


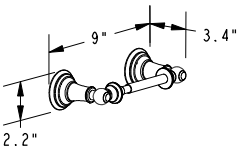


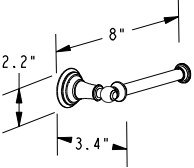


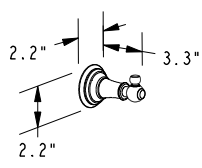


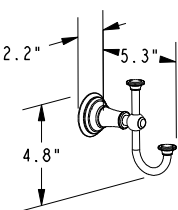

hooks				PC	SN
		3010	Single Robe Hook	95	105
		3011T	Triple Robe Hook - Pivoting	140	153


FRAME

towel hook	item	description	PC	SN
	3005	Pivoting Towel Hook	154	186
toiletory shelf				
	3018T-24	24" Shelf	257	308
mirror				
	3041	Framed Mirror 20.56" x 34.56" Overall	679	767
notes				

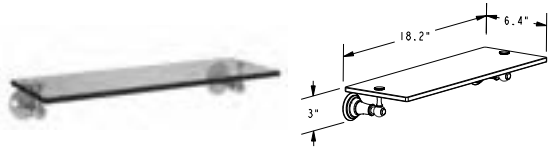
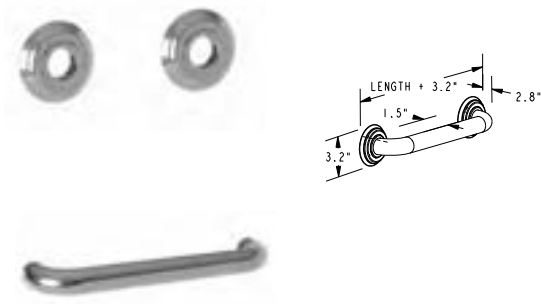
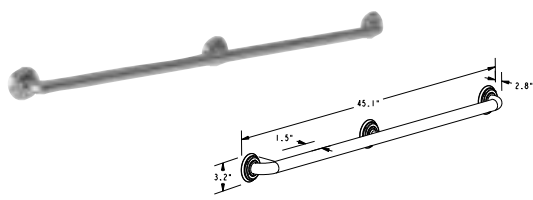
1) Mirrors: Glass is beveled.

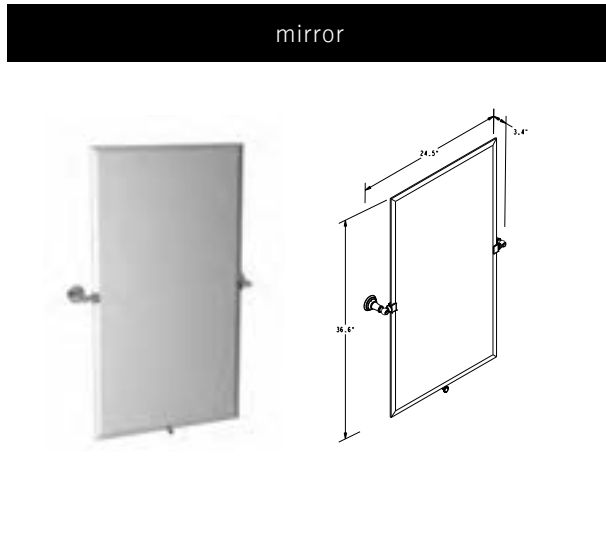


towel bars		item	description	PC	PN SN
		5402	18" Towel Bar	285	373
		5403	24" Towel Bar 	304	377
towel rings				PC	PN SN
		5405	Towel Ring 	208	268
toilet tissue holders				PC	PN SN
		5408	Double Post Toilet Tissue Holder 	268	340
		5406	Open Toilet Tissue Holder 	187	233
hooks				PC	PN SN
		5410	Single Robe Hook 	155	185
		5411	Double Robe Hook 	183	215

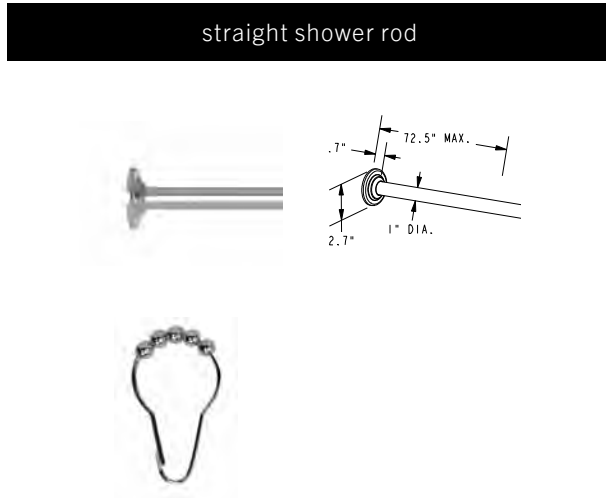
 Product also available in Newport Brass Aylesbury and Jacobean Collections in all Newport Brass finishes.

GARNSEY

toiletry shelf		item	description	PC	PN SN
		5434T-18	18" Shelf	306	368
grab bars				PC	PN SN
		<p>HOW TO ORDER: STEP 1: Select Decorative Rings and Mounting Kit STEP 2: Select Grab Bar Tube</p> <p>STEP 1:</p> <p>2400-2400 Decorative Rings and Mounting Kit 259 383</p> <p>STEP 2:</p> <p>5080 12" Grab Bar Tube 140 206</p> <p>5081 16" Grab Bar Tube 166 233</p> <p>5082 18" Grab Bar Tube 187 260</p> <p>5083 24" Grab Bar Tube 224 301</p> <p>5085 36" Grab Bar Tube 330 410</p>			
		2400-3942	42" Grab Bar**	691	933
		<p>** Complete grab bar kit</p> <p> Grab bars are ADA Compliant</p>			
hotel shelves				PC	PN SN
		<p>IMPORTANT: Order (1) Mounting Kit plus (1) Frame to make a complete unit.</p>			
		XX43-20	20" Hotel Shelf Frame with Towel Bar	306	366
		XX43-24	24" Hotel Shelf Frame with Towel Bar	326	387
		XX43S-20	20" Hotel Shelf Frame with Towel Bar Squared Corners	384	463
		XX43S-24	24" Hotel Shelf Frame with Towel Bar Squared Corners	415	497


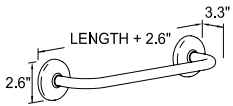

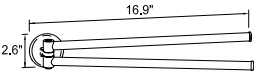



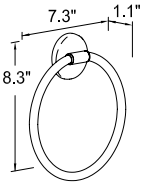
item	description	PC	PN SN
5442	Frameless Pivoting Mirror 24.53" x 36.58" Overall 20" x 36" Glass Only	663	746


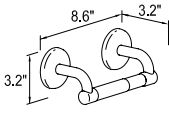

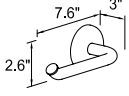



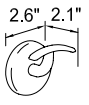
		PC	PN SN
IMPORTANT: Order (1) Bracket Pair plus (1) Rod to make a complete unit. 6' Straight Rods should be trimmed for use in smaller openings.			
1139R-6	6' Shower Curtain Rod	186	225
5439B	Shower Rod Brackets Only, Pair	146	175
1139SR*	Shower Curtain Rings Set of 12	59	75

HOTELIER

towel bars		item	description	PC	SN
		0303	24" Towel Bar	118	141
		0322-16	16" Double Swing Towel Bar	130	158

towel rings				PC	SN
		0305	Towel Ring	99	118

toilet tissue holders				PC	SN
		0308	Double Post Toilet Tissue Holder	121	144
		0306	Open Toilet Tissue Holder	99	118

hooks				PC	SN
		0310	Robe Hook	58	60

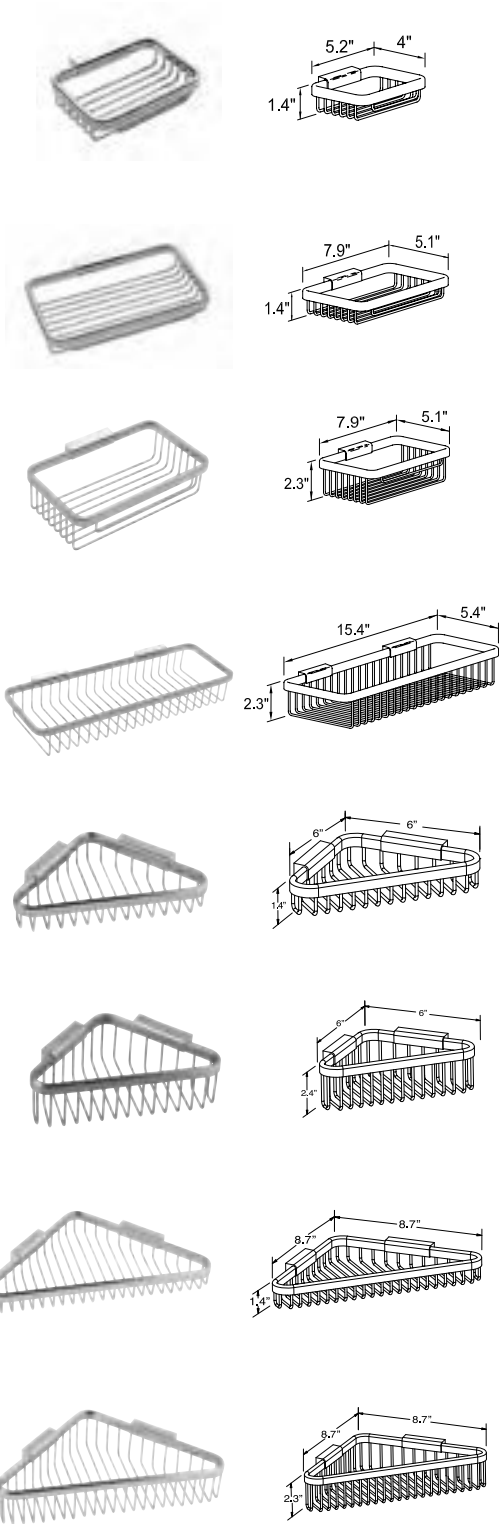
soap/lotion dispenser				PC	SN
		0314	Soap/Lotion Dispenser	208	249



baskets

item	description	PC	MB	PN	SN
------	-------------	----	----	----	----

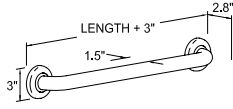
See Baskets (pg 443) for a comprehensive list of baskets



550G	Soap Basket	81.	98	98	98
551G	8" Toiletry Basket	102	NA	NA	124
551DG	8" Deep Toiletry Basket	113	NA	NA	139
552G	Long Deep Toiletry Basket	195	NA	233	233
553G	6" Corner Basket	99	115	115	115
553DG	6" Deep Corner Basket	101	119	NA	119
554G	9" Corner Basket	135	NA	NA	160
554DG	9" Deep Corner Basket	155	184	184	184

HOTELIER

grab bars



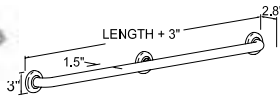
HOW TO ORDER: **STEP 1:** Select Decorative Rings and Mounting Kit
STEP 2: Select Grab Bar Tube

STEP 1:

item	description	PC	SN
990-2400	Decorative Rings and Mounting Kit	160	218

STEP 2:

5080	12" Grab Bar Tube	140	206
5081	16" Grab Bar Tube	166	233
5082	18" Grab Bar Tube	187	260
5083	24" Grab Bar Tube	224	301
5085	36" Grab Bar Tube	330	410




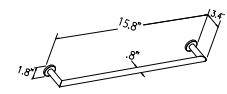

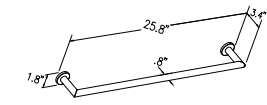


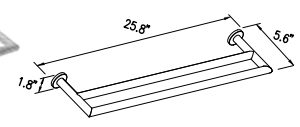
990-3942	42" Grab Bar**	599	781
----------	----------------	-----	-----

** Complete grab bar kit


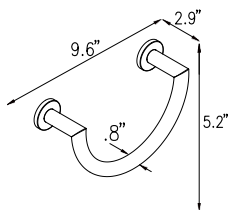



Grab bars are ADA Compliant


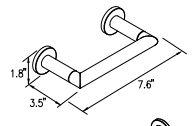


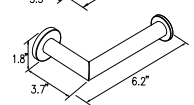


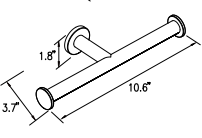

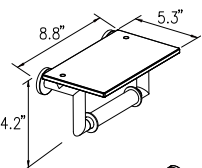

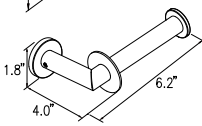


towel bars		item	description	PC	MB PN, SN
		4602	18" Towel Bar	221	265
		4603	24" Towel Bar 	261	312
		4622-24	24" Double Towel Bar	389	469


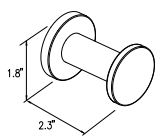


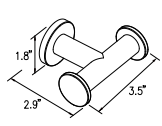


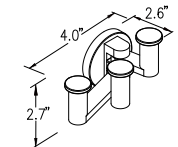
towel rings		PC	MB PN, SN
-------------	--	----	--------------


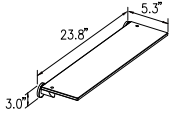

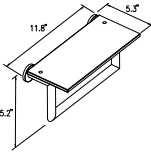

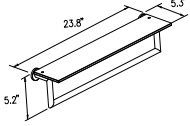
		4605	Towel Ring 	308	369
-----------------------------------------------------------------------------------	-----------------------------------------------------------------------------------	------	------------------------------------------------------------------------------------------------	-----	-----

toilet tissue holders		PC	MB PN, SN
-----------------------	--	----	--------------


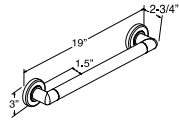
		4608	Double Post Toilet Tissue Holder Pivoting Arm 	248	311
		4606	Open Toilet Tissue Holder 	214	252
		4609	Double Open Toilet Tissue Holder	223	281
		4627	Double Post Toilet Tissue Holder with Cover	327	409
		4607	Spare Toilet Tissue Holder	199	237


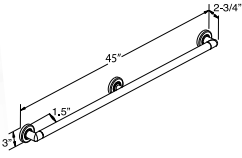

hooks		PC	MB PN, SN
-------	--	----	--------------

		4610	Single Robe Hook 	84	95
		4610D	Double Robe Hook 	156	165
		4610T	Triple Pivoting Robe Hook	221	254


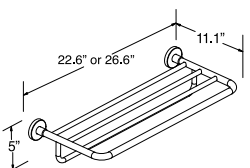

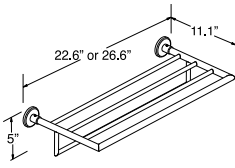
toiletory shelves		item	description	PC	MB PN, SN
		4634T	24" Shelf	300	363
		4619T-12	12" Shelf with Towel Bar	408	511
		4619T-24	24" Shelf with Towel Bar	439	527

grab bars		PC	MB PN, SN
-----------	--	----	--------------

		PC	MB PN, SN		
<p>HOW TO ORDER: STEP 1: Select Decorative Rings and Mounting Kit STEP 2: Select Grab Bar Tube</p>					
<p>STEP 1:</p>					
		2480-2400	Decorative Rings and Mounting Kit	206	230
<p>STEP 2:</p>					
		5080SQ	12" Grab Bar Tube	181	215
		5081SQ	16" Grab Bar Tube	221	297
		5082SQ	18" Grab Bar Tube	244	299
		5083SQ	24" Grab Ba Tube	283	340
		5085SQ	36" Grab Bar Tube	369	462

		2480-3942	42" Grab Bar**	691	933
<p>** Complete grab bar kit</p>					
<p> Grab bars are ADA Compliant</p>					

hotel shelves		PC	MB PN, SN
---------------	--	----	--------------

<p>IMPORTANT: Order (1) Mounting Kit plus (1) Frame to make a complete unit.</p>					
		464B	Hotel Shelf Mounting Kit	128	155
		XX43-20	20" Hotel Shelf Frame with Towel Bar	306	366
		XX43-24	24" Hotel Shelf Frame with Towel Bar	326	387
		XX43S-20	20" Hotel Shelf Frame w/Towel Bar Squared Corners	384	463
		XX43S-24	24" Hotel Shelf Frame w/Towel Bar Squared Corners	415	497



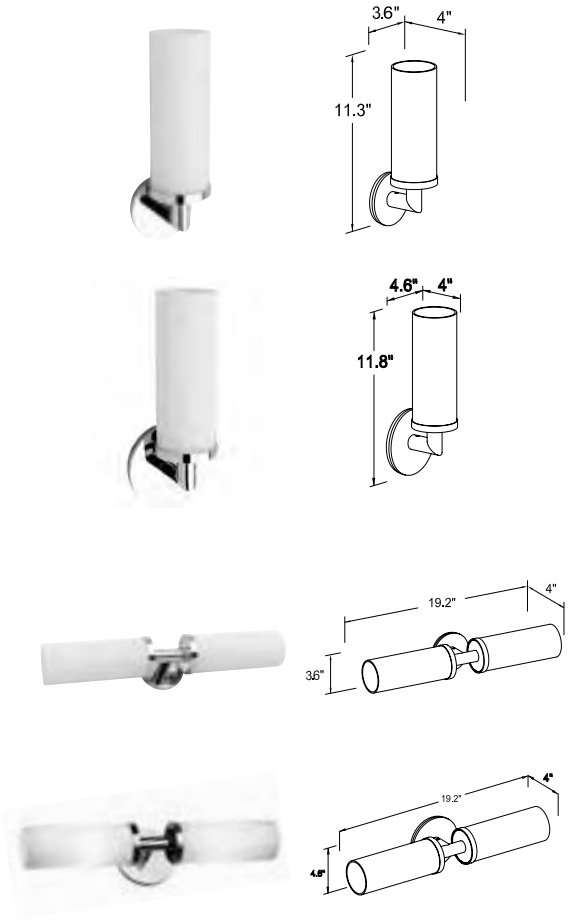
lights

item description PC MB PN, SN

IMPORTANT: The backplate on the 4681 and 4682 lights is not of standard size. Provide the following information to your electrician and wall finisher for proper installation.

The 4681 and 4682 Kubic Lights are designed to mount onto a raised cover plate (also called a round plaster ring or a round raised mud ring) attached to an electrical box in the pre-drywall stage. Use two no. 8 tapped holes on 2 3/4" centers. Maximum diameter of finished wall opening that will be covered by the Kubic light backplate is 3 5/8".

The 4681L and 4682L lights have a larger rosette that covers a standard 1 GANG US junction box. The Kubic Single lights can be installed with the shade facing upward or downward.



4681	Single Light, 3.6" ϕ Rosette**	466	561
DWRR	Raised Cover Plate for 4681 or 4682	13	13

4681L	Single Light, 4.6" ϕ Rosette**	483	580
-------	-------------------------------------	-----	-----

The Kubic Double lights can be installed horizontally or vertically.

4682	Double Light, 3.6" ϕ Rosette**	532	638
DWRR	Raised Cover Plate for 4681 or 4682	13	13

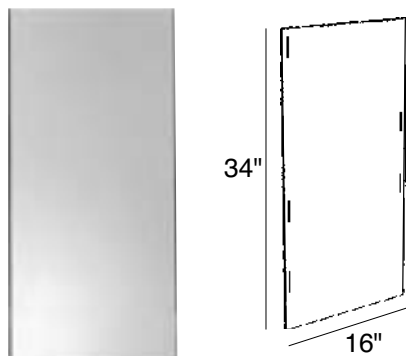
4682L	Double Light, 4.6" ϕ Rosette**	549	662
-------	-------------------------------------	-----	-----

3681-G-O	Replacement Glass Shade, Satin Etched, Cased Opal. Note finish when ordering (i.e. 3681-G-O/PC)	134	172
----------	-------------------------------------------------------------------------------------------------------	-----	-----

**ADA Compliant

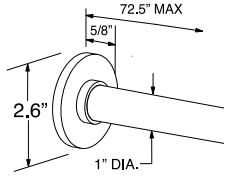
mirror

NO FINISH



4641N	Frameless Mirror 16" x 34" Overall	412	
-------	---------------------------------------	-----	--

straight shower rod



item	description	PC	PN SN
------	-------------	----	----------

IMPORTANT: Order (1) Bracket Pair plus (1) Rod to make a complete unit. 6' Straight Rods should be trimmed for use in smaller openings.


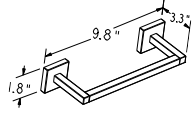


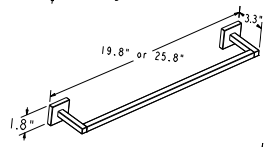


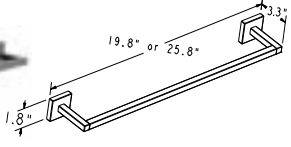

1139R-6	6' Shower Curtain Rod	186	225
4639B	Shower Rod Brackets Only Pair	91	110
	*Not available in MB		
1139SR*	Shower Curtain Rings Set of 12	59	75


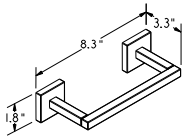


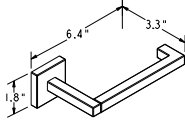


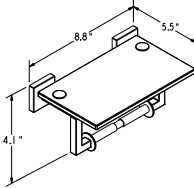
notes


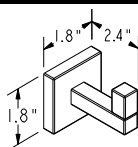


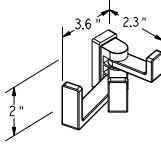

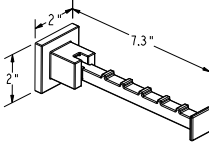
- 1) Lights are UL listed for damp locations and are ADA compliant. Bulbs are A19 incandescent, 100 watt maximum.
- 2) Toiletry Shelves: Glass is tempered.
- 3) Mirrors: Glass is beveled.
- 4) Straight Shower Rods: with lacquered finishes are likely to scratch from abrasion caused by sliding curtain rings. This item is not covered by GINGER'S product warranty.


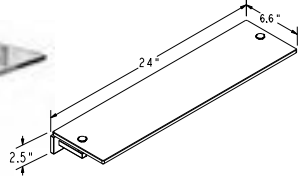


LINEAL

towel bars		item	description	PC	PN SN
		5205	8" Towel Bar 	152	183
		5202	18" Towel Bar 	217	260
		5203	24" Towel Bar 	255	306

toilet tissue holders				PC	PN SN
		5208	Double Post Toilet Tissue Holder  Pivoting Arm	242	305
		5206	Open Toilet Tissue Holder 	207	248
		5227	Double Post Toilet Tissue Holder with Cover	313	393

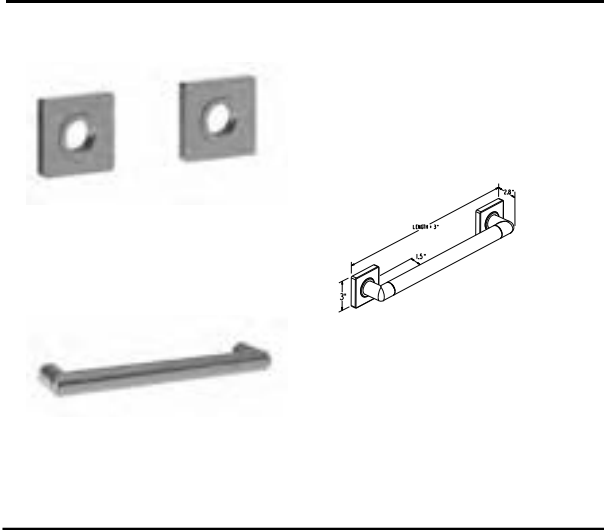
hooks				PC	PN SN
		5210	Robe Hook 	76	82
		5210T	Triple Robe Hook - Pivoting	206	227
		5217	Valet Hook	253	278

toiletory shelves				PC	PN SN
		5234T-24	24" Shelf	289	355



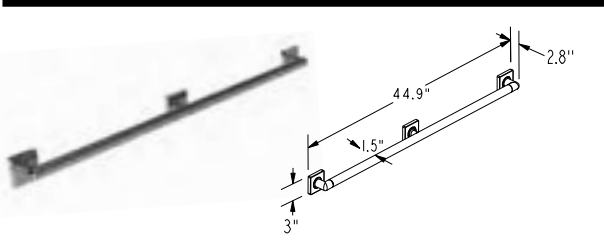
grab bars

item	description	PC	PN SN
------	-------------	----	----------



HOW TO ORDER:
STEP 1: Select Decorative Rings and Mounting Kit
STEP 2: Select Grab Bar Tube

STEP 1:			
2040-2400	Decorative Rings and Mounting Kit	220	230
STEP 2:			
5080SQ	12" Grab Bar Tube	181	215
5081SQ	16" Grab Bar Tube	221	297
5082SQ	18" Grab Bar Tube	244	299
5083SQ	24" Grab Ba Tube	283	340
5085SQ	36" Grab Bar Tube	369	462



2040-3942	42" Grab Bar**	691	933
-----------	----------------	-----	-----

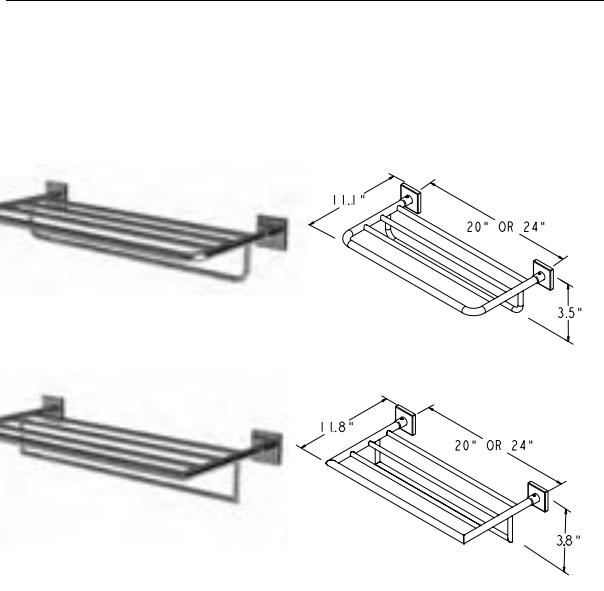
** Sold as a complete unit

Grab bars are ADA Compliant

hotel shelves

		PC	PN SN
--	--	----	----------

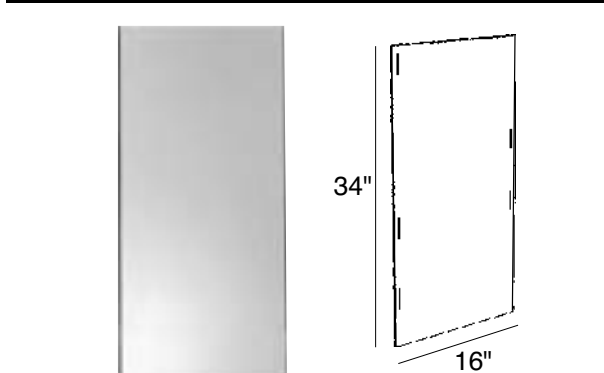
IMPORTANT: Order (1) Mounting Kit plus (1) Frame to make a complete unit.



524B	Hotel Shelf Mounting Kit	124	148
XX43-20	20" Hotel Shelf Frame with Towel Bar	306	366
XX43-24	24" Hotel Shelf Frame with Towel Bar	326	387
XX43S-20	20" Hotel Shelf Frame with Towel Bar Squared Corners	384	463
XX43S-24	24" Hotel Shelf Frame with Towel Bar Squared Corners	415	497

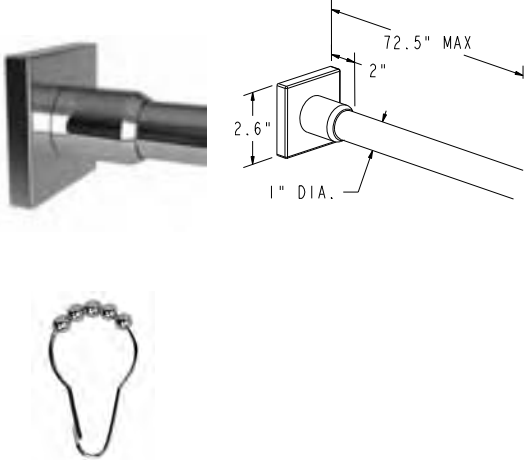
mirror

		NO FINISH
--	--	-----------



4641N	Frameless Mirror 16" X 34" Overall	412
-------	---------------------------------------	-----

LINEAL


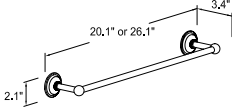


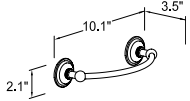


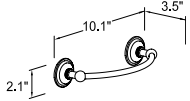


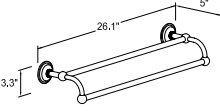
straight shower rod	item	description	PC	PN SN
		<p>IMPORTANT: Order (1) Bracket Pair plus (1) Rod to make a complete unit. 6' Straight Rods should be trimmed for use in smaller openings.</p>		
	1139R-6	6' Shower Curtain Rod	186	225
	5239B	Shower Rod Brackets Only Pair	146	175
	1139SR*	Shower Curtain Rings Set of 12	59	75

notes


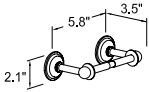


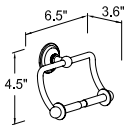
- 1) Toiletry Shelves: Glass is tempered.
- 2) Mirrors: Glass is beveled.
- 3) Straight Shower Rods: with lacquered finishes are likely to scratch from abrasion caused by sliding curtain rings. This item is not covered by GINGER'S product warranty.

LONDON TERRACE

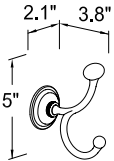


towel bars		item	description	PC	PN SN
		2602	18" Towel Bar 	154	185
		2603	24" Towel Bar 	159	189
		2605	8" Towel Bar 	143	167
		2622-24	24" Double Towel Bar	276	328


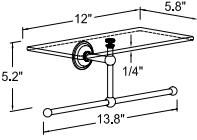
toilet tissue holders		PC	PN SN
-----------------------	--	----	----------

		2608	Double Post  Toilet Tissue Holder	177	213
		2609	Hanging Toilet Tissue Holder	186	220


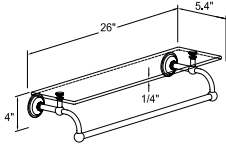

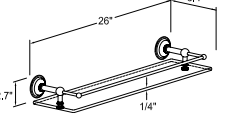

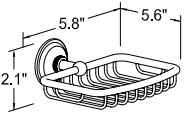
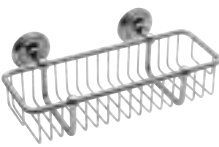
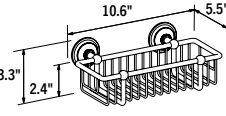
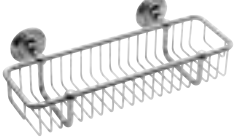
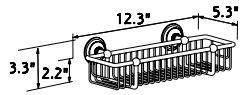
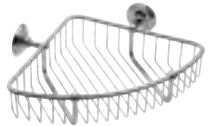
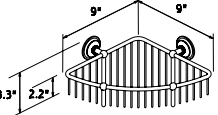

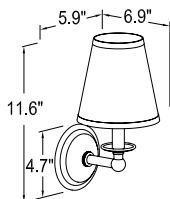
hooks		PC	PN SN
-------	--	----	----------

		2611	Double Robe Hook 	93	103
-------------------------------------------------------------------------------------	-------------------------------------------------------------------------------------	------	--------------------------------------------------------------------------------------------------------	----	-----

trays		PC	PN SN
-------	--	----	----------


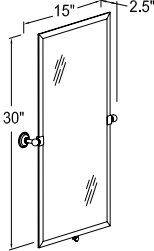

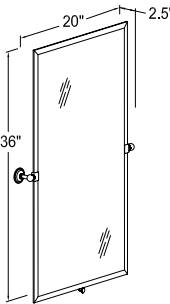

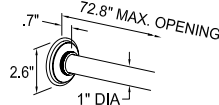

		2636T	12" Shelf with Towel Bar	225	259
-------------------------------------------------------------------------------------	-------------------------------------------------------------------------------------	-------	--------------------------	-----	-----

LONDON TERRACE

toiletry shelves		item	description	PC	PN SN
		2619T-24	24" Shelf with Towel Bar	300	360
		2635T-24	24" Gallery Rail Shelf	300	360
baskets				PC	PN SN
		26550	Soap Basket	197	236
		26551	10" Toiletry Basket	322	382
		26552	12" Toiletry Basket	402	481
		26554	9" Corner Basket	340	407
lights				PC	PN SN
		2681	Single Light White Fabric Shade	239	281
		2681-TS	Replacement Fabric Shade	77	NA

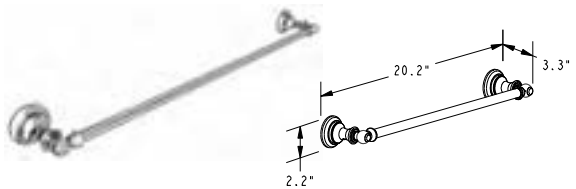


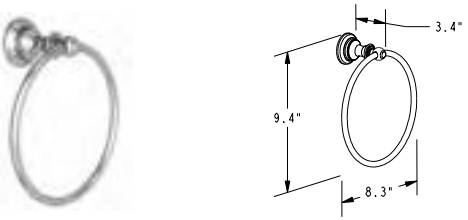

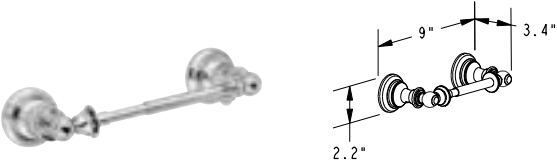

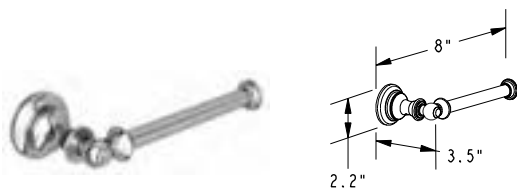

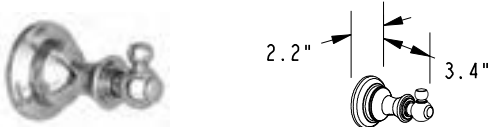

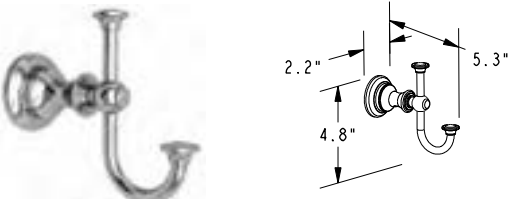

LONDON TERRACE



mirrors		item	description	PC	PN SN
		2641	Frameless Pivoting Mirror 18.63" x 30.65" Overall 15" x 30" Glass Only	452	519
		2642	Frameless Pivoting Mirror 23.60" x 36.65" Overall 20" x 36" Glass Only	485	554
straight shower rod					
		IMPORTANT: Order (1) Bracket Pair plus (1) Rod to make a complete unit. 6' Straight Rods should be trimmed for use in smaller openings.			
		1139R-6	6' Shower Curtain Rod	186	225
		2639B	Shower Rod Bracket Only Pair	101	124
		1139SR*	Shower Curtain Rings Set of 12	59	75
notes					

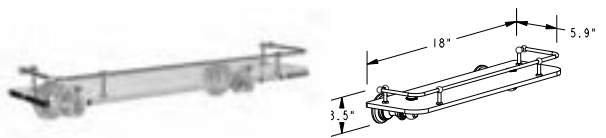
- 1) Lights
 - a) UL® listed for damp locations
 - b) shades - poly-rayon fabric
 - c) bulbs - E12 "candelabra" base, incandescent, 60 watt max, E12 "candelabra" base, fluorescent
- 2) Straight Shower Rods
 - a) Lacquered finishes are likely to scratch from abrasion caused by sliding curtain rings. This item is not covered by GINGER's product warranty.
- 3) Toiletry Shelves: Glass is tempered.
- 4) Mirrors: Glass is beveled.

*Not available in PN

towel bars		item	description	PC	PN SN
		5602	18" Towel Bar 	285	373
		5603	24" Towel Bar 	304	377
towel rings				PC	PN SN
		5605	Towel Ring 	208	268
toilet tissue holders				PC	PN SN
		5608	Double Post Toilet Tissue Holder 	268	340
		5606	Open Toilet Tissue Holder 	187	237
hooks				PC	PN SN
		5610	Single Robe Hook 	155	185
		5611	Double Robe Hook 	183	215



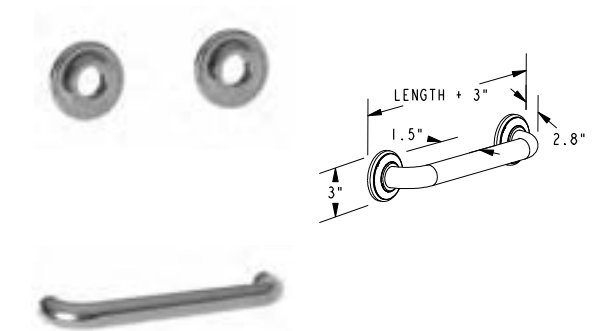
toiletary shelf



item	description	PC	PN SN
------	-------------	----	----------

5635T-18	18" Gallery Shelf	477	570
----------	-------------------	-----	-----

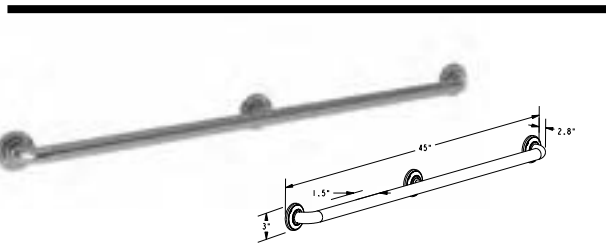
grab bars



		PC	PN SN
--	--	----	----------

HOW TO ORDER: **STEP 1:** Select Decorative Rings and Mounting Kit
STEP 2: Select Grab Bar Tube

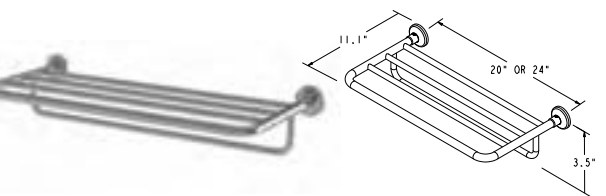
STEP 1:			
2440-2400	Decorative Rings and Mounting Kit	259	383
STEP 2:			
5080	12" Grab Bar Tube	140	206
5081	16" Grab Bar Tube	166	233
5082	18" Grab Bar Tube	187	260
5083	24" Grab Bar Tube	224	301
5085	36" Grab Bar Tube	330	410



2440-3942	42" Grab Bar**	691	933
-----------	----------------	-----	-----

** Sold as a complete unit
 Grab bars are ADA Compliant

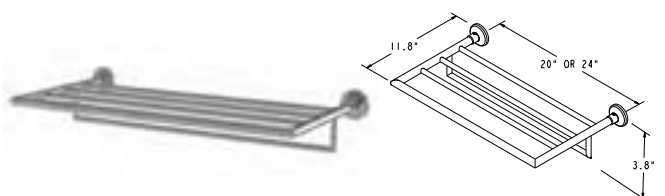
hotel shelves

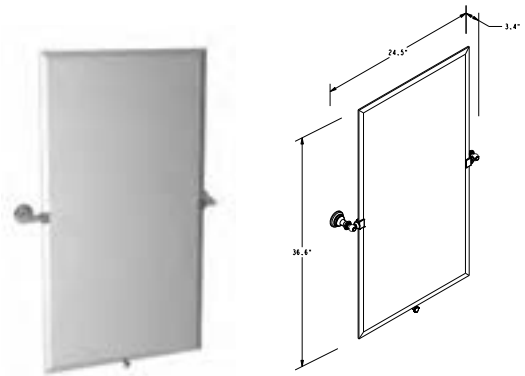
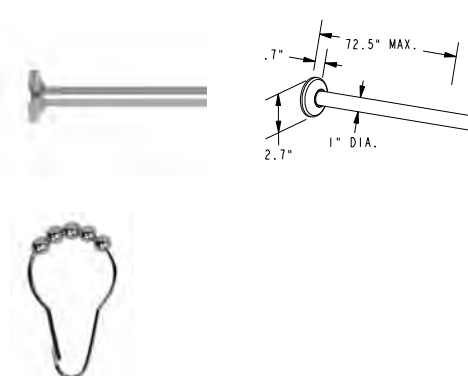


		PC	PN SN
--	--	----	----------

IMPORTANT: Order (1) Mounting Kit plus (1) Frame to make a complete unit.


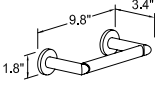


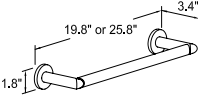







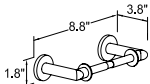


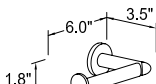


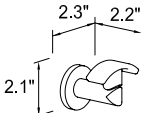


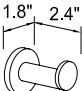

564B	Hotel Shelf Mounting Kit	137	164
XX43-20	20" Hotel Shelf Frame with Towel Bar	306	366
XX43-24	24" Hotel Shelf Frame with Towel Bar	326	387
XX43S-20	20" Hotel Shelf Frame with Towel Bar Squared Corners	384	463
XX43S-24	24" Hotel Shelf Frame with Towel Bar Squared Corners	415	497



mirror	item	description	PC	PN SN
	<p>5642</p>	<p>Frameless Pivoting Mirror 24.50" x 36.58" Overall 20" x 36" Glass Only</p>	<p>663</p>	<p>777</p>
straight shower rod			PC	PN SN
	<p>1139R-6</p> <p>5639B</p> <p>1139SR*</p>	<p>IMPORTANT: Order (1) Bracket Pair plus (1) Rod to make a complete unit. 6' Straight Rods should be trimmed for use in smaller openings.</p> <p>6' Shower Curtain Rod</p> <p>Shower Rod Brackets Only, Pair</p> <p>Shower Curtain Rings Set of 12</p>	<p>186</p> <p>146</p> <p>59</p>	<p>225</p> <p>175</p> <p>75</p>
notes				

- 1) Lights
- 2) Straight Shower Rod
 - a) lacquered finishes are likely to scratch from abrasion caused by sliding curtain rings. this item is not covered by GINGER's product warranty.
- 3) Toiletry Shelves: Glass is tempered.
- 4) Mirrors: Glass is beveled.



towel bars		item	description	PC	SN
		0205	8" Towel Bar 	128	155
		0202	18" Towel Bar 	170	202
		0203	24" Towel Bar 	179	216
		0222-24	24" Double Towel Bar	317	367
toilet tissue holders				PC	SN
		0208	Double Post Toilet Tissue Holder 	182	217
		0206	Open Toilet Tissue Holder 	114	139
hooks				PC	SN
		0210	Robe Hook 	89	97
		0210H	Single Robe Hook 	67	76

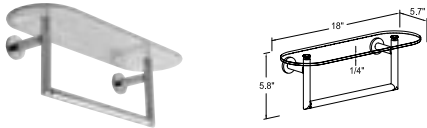
SINE

trays	item	description	PC	SN
-------	------	-------------	----	----

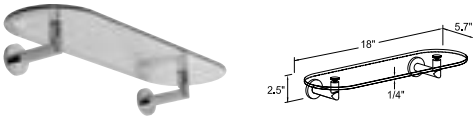


0218CT-10-10 Corner Shelf 129 159

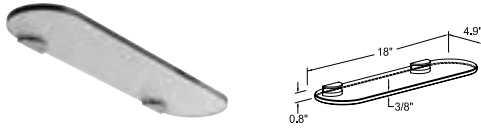
toiletory shelves			PC	SN
-------------------	--	--	----	----



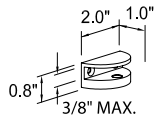
0219T-18 18" Shelf with Towel Bar 385 463



0234T-18 18" Shelf 192 230

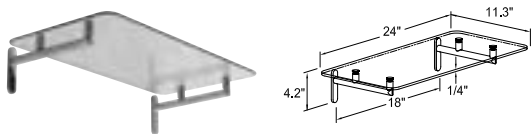


0218T-18 18" Shelf 158 189

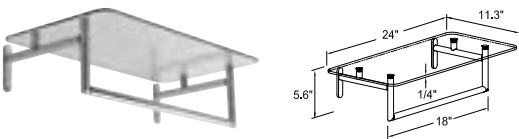


0218B-10 C Bracket for 3/8" Glass Shelf, Each 63 75

hotel shelves			PC	SN
---------------	--	--	----	----



0240-24 24" Hotel Shelf 413 484



0243-24 24" Hotel Shelf with Towel Bar 512 591



straight shower rod		item	description	PC	SN
		<p>IMPORTANT: Order (1) Bracket Pair plus (1) Rod to make a complete unit. 6' Straight Rods should be trimmed for use in smaller openings.</p>			
		1139R-6	6' Shower Curtain Rod	186	225
		4639B	Shower Rod Brackets Only, Pair	91	110
		1139SR	Shower Curtain Rings Set of 12	59	75
notes					


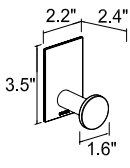


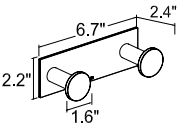


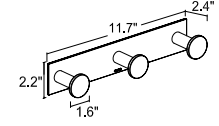
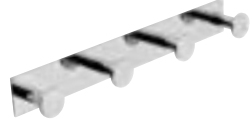
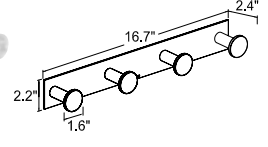
- 1) Straight Shower Rod
 - a) lacquered finishes are likely to scratch from abrasion caused by sliding curtain rings. this item is not covered by GINGER's product warranty.
- 2) Toiletry Shelves: Glass is tempered.
- 3) Hotel Shelves: Glass is tempered.


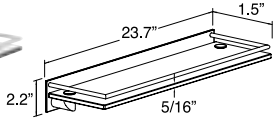

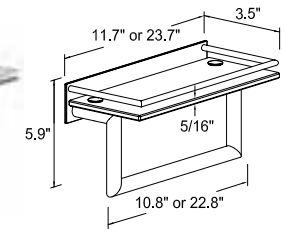
SURFACE


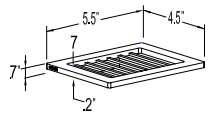
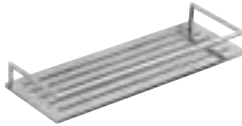
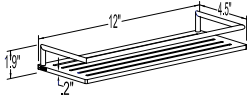
towel bars		item	description	PC	SN
		2802	18" Towel Bar 	311	373
		2803	24" Towel Bar 	345	416
		2804	32" Towel Bar	442	530
towel ring				PC	SN
		2805	Towel Ring 	235	283
toilet tissue holders				PC	SN
		2806L	Open Toilet Tissue Holder, Left	192	231
		2806R	Open Toilet Tissue Holder, Right 	192	231
		2809	Double Open Toilet Tissue Holder	233	281
		2808	Double Post Toilet Tissue Holder 	253	304
		2807	Spare Toilet Tissue Holder	205	247

SURFACE

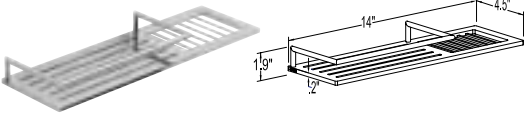
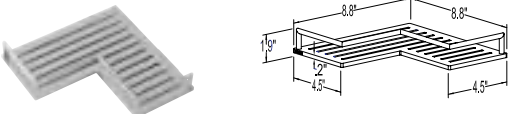
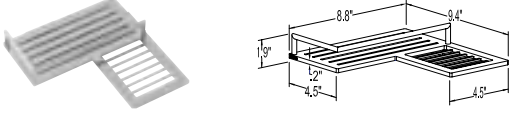
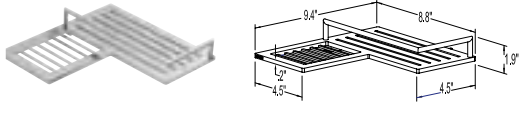


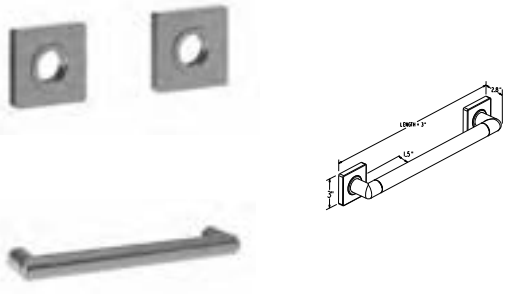
hooks		item	description	PC	SN
		2810	Single Robe Hook 	112	122
		2810D	Double Robe Hook 	167	181
		2810T	Triple Robe Hook	231	254
		2810Q	Quadruple Robe Hook	281	308

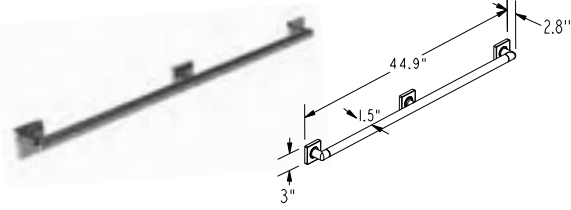

toiletory shelves				PC	SN
		2835T-24	24" Gallery Shelf	442	530
		2819RT-12	12" Gallery Shelf with Towel Bar	419	NA
		2819RT-24	24" Gallery Shelf with Towel Bar	491	NA

shower shelves				PC	SN
		28500	Shower Shelf - Soap Holder	337	405
		28502	12" Shower Shelf	499	599

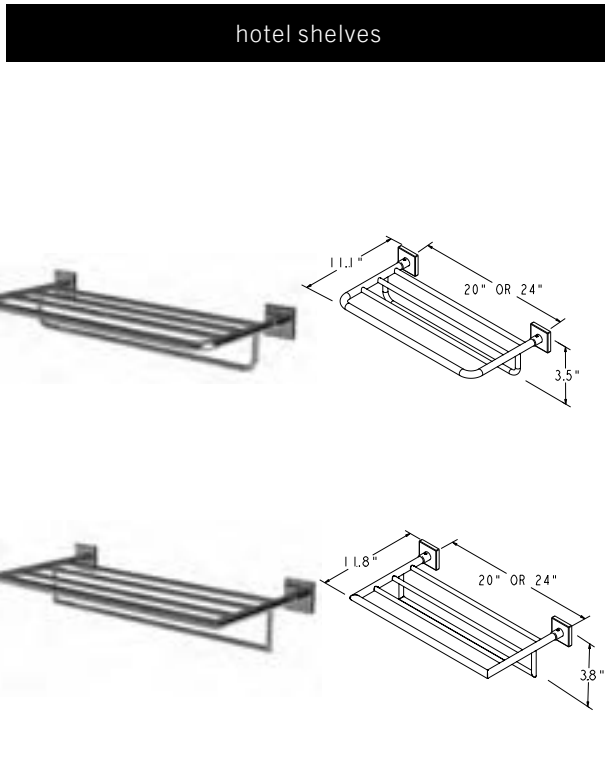
SURFACE

shower shelves		item	description	PC	SN
		28501	14" Combination Shower Shelf	770	924
		28505	Corner Shower Shelf	731	876
		28504R	Combination Corner Shower Shelf, Right	738	883
		28504L	Combination Corner Shower Shelf, Left	738	883

grab bars			PC	SN
		HOW TO ORDER:	STEP 1: Select Decorative Rings and Mounting Kit STEP 2: Select Grab Bar Tube	
STEP 1:		2040-2400	Decorative Rings and Mounting Kit	220 230
STEP 2:		5080SQ	12" Grab Bar Tube	181 215
		5081SQ	16" Grab Bar Tube	221 297
		5082SQ	18" Grab Bar Tube	244 299
		5083SQ	24" Grab Bar Tube	283 340
		5085SQ	36" Grab Bar Tube	369 462

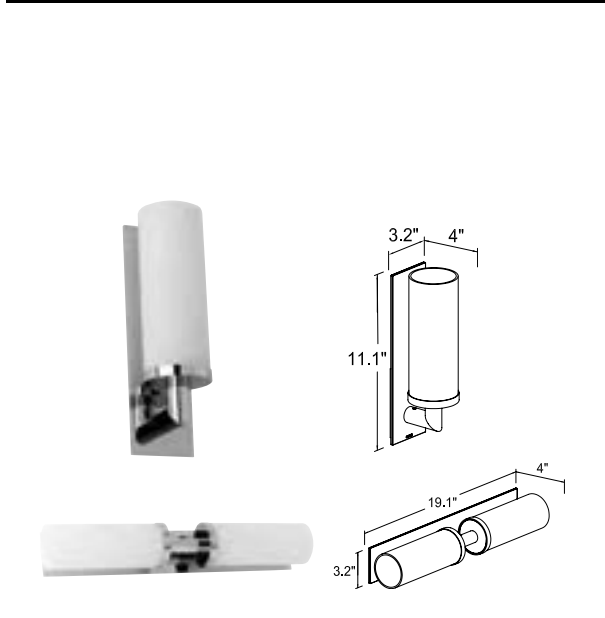
	2040-3942	42" Grab Bar**	691	933
** Sold as a complete unit				
 Grab bars are ADA Compliant				

SURFACE



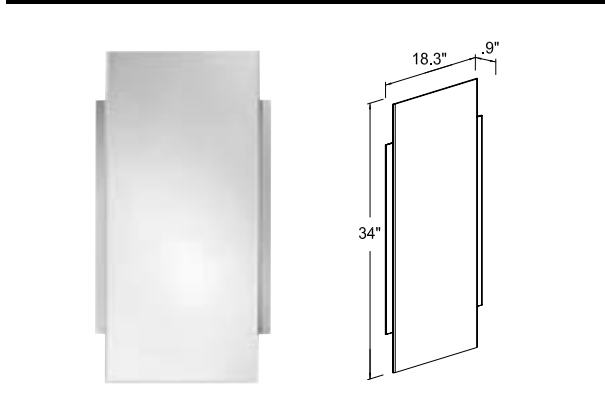
hotel shelves

item	description	PC	SN
IMPORTANT: Order (1) Mounting Kit plus (1) Frame to make a complete unit.			
524B	Hotel Shelf Mounting Kit	124	148
XX43-20	20" Hotel Shelf Frame with Towel Bar	306	366
XX43-24	24" Hotel Shelf Frame with Towel Bar	326	387
XX43S-20	20" Hotel Shelf Frame w/Towel Bar Squared Corners	384	463
XX43S-24	24" Hotel Shelf Frame w/Towel Bar Squared Corners	415	497



lights

		PC	SN
IMPORTANT: The backplate on these lights is not of standard size. Provide the following information to your electrician and wall finisher for proper installation.			
Surface single light is designed to be mounted onto a standard vertically installed switch box. Maximum width of finished opening should be less than 2 -1/2". Surface double light mounts onto a horizontally installed switch box. Maximum height of finished opening should be less than 2 -1/2".			
The Surface Single lights can be installed with the shade facing upward or downward.			
2881	Single Light	570	683
3681-G-0	Replacement Glass Shade Satin Etched, Cased Opal Note finish when ordering (i.e. 3681-G-0/PC)	134	172
The Surface Double lights can be installed vertically or horizontally.			
2882	Double Light	675	812



mirror

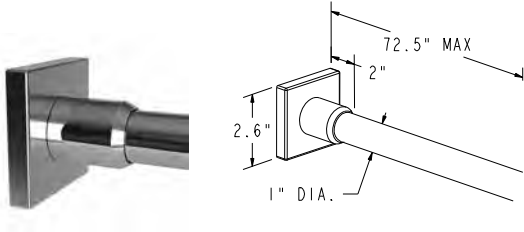
		PC	SN
Tilting mechanism may be used w/framed mirror.			
2841	Mirror 18.26" x 34" Overall 16" x 34" Glass Only	587	689
MTM-009	Tilt Mechanism, Optional**	88	88

**Mirror tilts 4.5° with mechanism.

SURFACE

straight shower rods

PC SN



IMPORTANT: Order (1) Bracket Pair plus (1) Rod to make a complete unit. 6' Straight Rods should be trimmed for use in smaller openings.

1139R-6	6' Shower Curtain Rod	186	225
5239B	Shower Rod Brackets Only Pair	146	175
1139SR	Shower Curtain Rings Set of 12	59	75

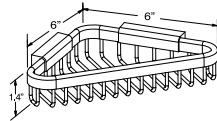
notes

- 1) Lights are UL listed for damp locations and ADA compliant. Glass Shade is satin etched cased opal. Bulbs are A19 incandescent, 100 watt maximum.
- 2) Toiletry Shelves: Glass is tempered.
- 3) Mirrors: Glass is beveled.
- 4) Straight Shower Rods: with lacquered finishes are likely to scratch from abrasion caused by sliding curtain rings. This item is not covered by GINGER'S product warranty.

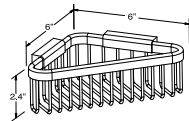
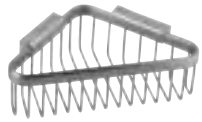
BASKETS



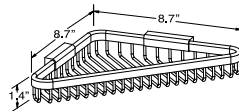
corner baskets



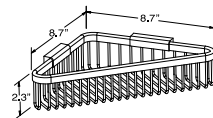
Hotelier



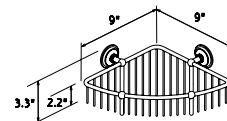
Hotelier



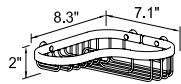
Hotelier



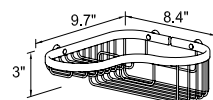
Hotelier



London Terrace



Splashables



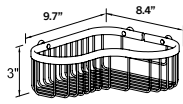
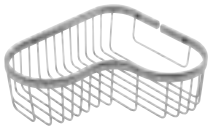
Splashables

item	description	list
------	-------------	------

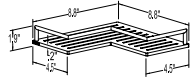
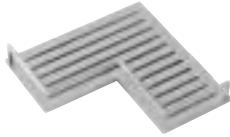
553G/MB	Matte Black	115
553G/PC	Polished Chrome	99
553G/PN	Polished Nickel	115
553G/SN	Satin Nickel	115
553DG/MB	Matte Black	119
553DG/PC	Polished Chrome	101
553DG/SN	Satin Nickel	119
554G/PC	Polished Chrome	135
554G/SN	Satin Nickel	160
554DG/MB	Matte Black	184
554DG/PC	Polished Chrome	155
554DG/PN	Polished Nickel	184
554DG/SN	Satin Nickel	184
26554/PC	Polished Chrome	340
26554/PN	Polished Nickel	407
26554/SN	Satin Nickel	407
G504/PC	Polished Chrome	329
G504/PN	Polished Nickel	365
G504/SN	Satin Nickel	365
504L/PC	Polished Chrome	357
504L/PN	Polished Nickel	432
504L/SN	Satin Nickel	432

BASKETS

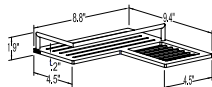
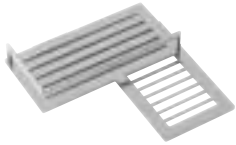
corner baskets



Splashables



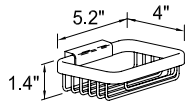
Surface



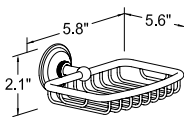
28504R Shown

item	description	list
505L/PC	Polished Chrome	357
505L/PN	Polished Nickel	432
505L/SN	Satin Nickel	432
28505/PC	Polished Chrome	731
28505/SN	Satin Nickel	876
28504R/PC	Polished Chrome	738
28504R/SN	Satin Nickel	883
28504L/PC	Polished Chrome	738
28504L/SN	Satin Nickel	883

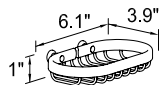
soap baskets



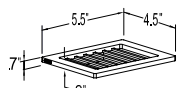
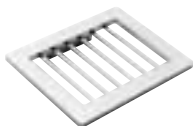
Hotelier



London Terrace



Splashables

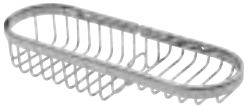
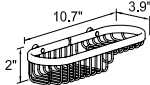

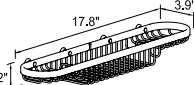
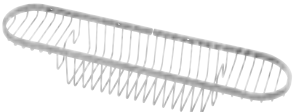
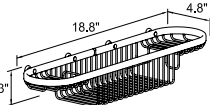
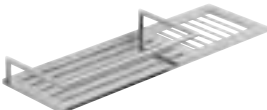
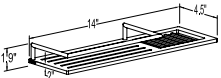


Surface


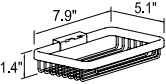

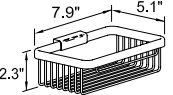
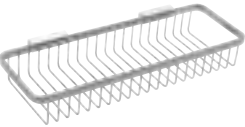
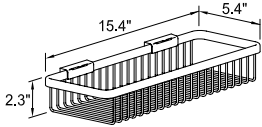
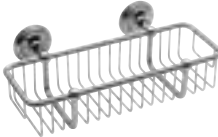
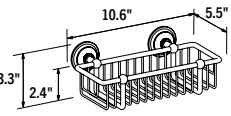
item	description	list
550G/MB	Matte Black	98
550G/PC	Polished Chrome	81
550G/PN	Polished Nickel	98
550G/SN	Satin Nickel	98
26550/PC	Polished Chrome	197
26550/PN	Polished Nickel	236
26550/SN	Satin Nickel	236
G500/PC	Polished Chrome	160
G500/PN	Polished Nickel	207
G500/SN	Satin Nickel	207
28500/PC	Polished Chrome	337
28500/SN	Satin Nickel	405

BASKETS



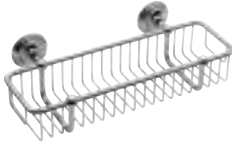
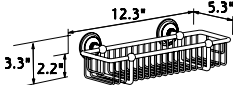
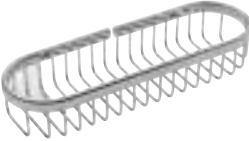
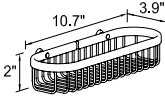
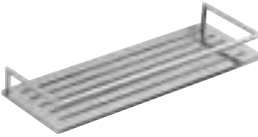
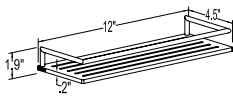
combination baskets	
	 Splashables
	 Splashables
	 Splashables
	 Surface

item	description	list
501/PC	Polished Chrome	184
501/PN	Polished Nickel	252
501/SN	Satin Nickel	252
503/PC	Polished Chrome	293
503/PN	Polished Nickel	414
503/SN	Satin Nickel	414
503L/PC	Polished Chrome	329
503L/PN	Polished Nickel	423
503L/SN	Satin Nickel	423
28501/PC	Polished Chrome	770
28501/SN	Satin Nickel	924

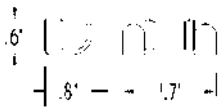
long baskets	
	 Hotelier
	 Hotelier
	 Hotelier
	 London Terrace

item	description	list
551G/PC	Polished Chrome	102
551G/SN	Satin Nickel	124
551DG/PC	Polished Chrome	113
551DG/SN	Satin Nickel	139
552G/PC	Polished Chrome	195
552G/PN	Polished Nickel	233
552G/SN	Satin Nickel	233
26551/PC	Polished Chrome	322
26551/PN	Polished Nickel	382
26551/SN	Satin Nickel	382

BASKETS

long baskets		item	description	list
  <p>London Terrace</p>	26552/PC	Polished Chrome	402	
	26552/PN	Polished Nickel	481	
	26552/SN	Satin Nickel	481	
  <p>Splashables</p>	G502/PC	Polished Chrome	184	
	G502/PN	Polished Nickel	252	
	G502/SN	Satin Nickel	252	
  <p>Surface</p>	28502/PC	Polished Chrome	499	
	28502/SN	Satin Nickel	599	

razor hook	item	description	list
------------	------	-------------	------



599/PC	Polished Chrome	45
599/PN	Polished Nickel	66
599/SN	Satin Nickel	66

Can be used on Splashables only, except soap basket G500.
Does NOT work with Hotelier, London Terrace or Surface Baskets/Shelves.

Razor hooks must be used in conjunction with basket.
Razor hooks cannot be installed directly on the wall.



grab bars - step 1

PC MB, PN
SN



HOW TO ORDER:

STEP 1: Select Decorative Rings and Mounting Kit

STEP 2: Select Grab Bar Tube Size & Style

920-2400*	Decorative Rings and Mounting Kit Matches Chelsea & Columnar Series	160	218
990-2400*	Decorative Rings and Mounting Kit Matches Hotelier Series	160	218
1200-2400*	Decorative Rings and Mounting Kit Matches Empire Series	160	218
2040-2400*	Decorative Rings and Mounting Kit Matches Dyad & Lineal Series	220	230
2400-2400*	Decorative Rings and Mounting Kit Matches Garnsey Series	259	383
2440-2400*	Decorative Rings and Mounting Kit Matches Pavin Series	259	383
2480-2400	Decorative Rings and Mounting Kit Matches Kubic Series	206	230

grab bars - step 2

PC MB, PN
SN



STEP 2:

5080*	12" Grab Bar Tube	140	206
5081*	16" Grab Bar Tube	166	233
5082*	18" Grab Bar Tube	187	260
5083*	24" Grab Bar Tube	224	301
5085*	36" Grab Bar Tube	330	410
5080SQ	12" Grab Bar Tube	181	215
5081SQ	16" Grab Bar Tube	221	297
5082SQ	18" Grab Bar Tube	244	299
5083SQ	24" Grab Bar Tube	283	340
5085SQ	36" Grab Bar Tube	369	462

*Not available in MB finish

GRAB BARS

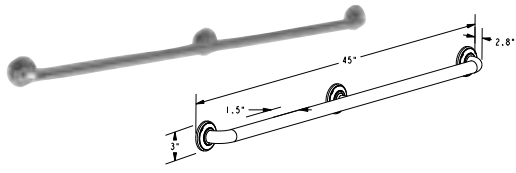
chelsea & columnar	item	description	PC	PN SN
	920-3942	42" Grab Bar	599	781
empire			PC	PN SN
	1200-3942	42" Grab Bar	599	781
garnsey			PC	PN SN
	2400-3942	42" Grab Bar	691	933
hotelier			PC	PN SN
	990-3942	42" Grab Bar	599	781
kubic			PC	MB PN, SN
	2480-3942	42" Grab Bar	691	933
lineal			PC	PN SN
	2040-3942	42" Grab Bar	691	933

GRAB BARS



pavin

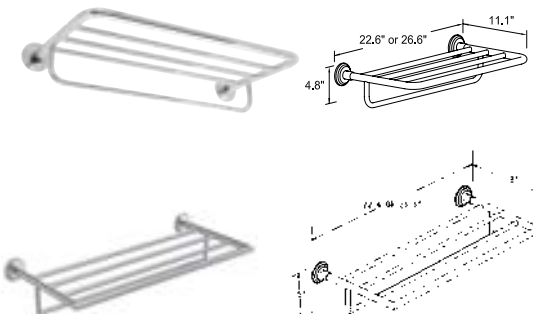
PC PN
SN

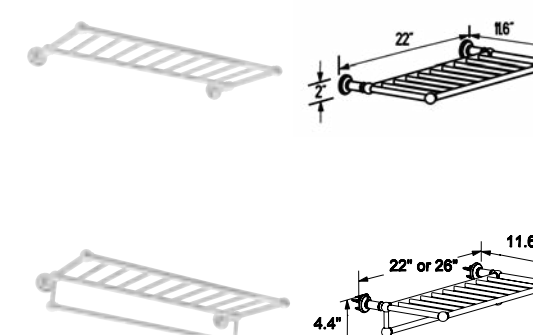


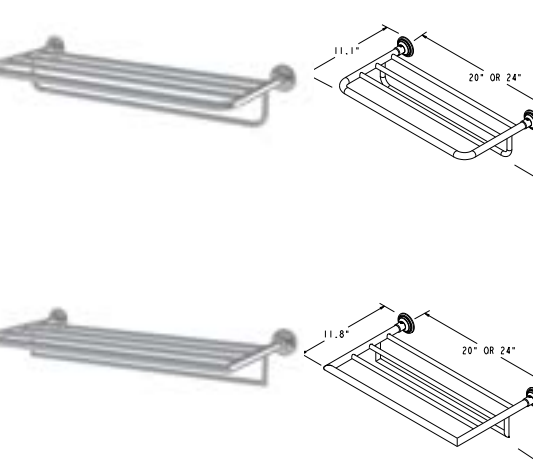
2440-3942 42" Grab Bar

691 933

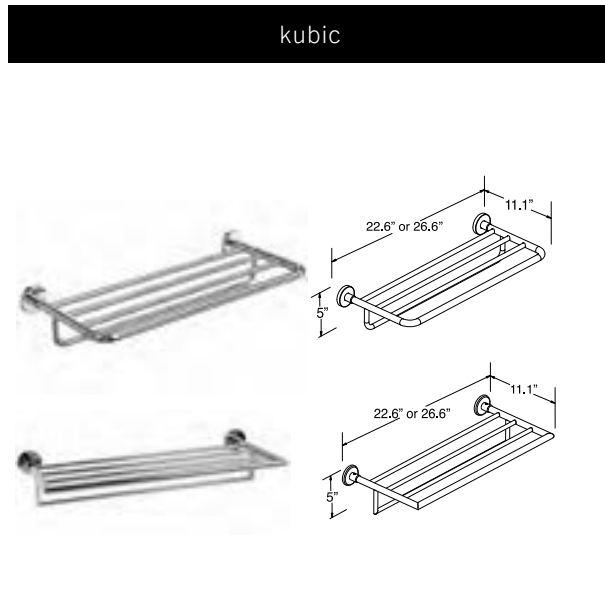
HOTEL SHELVES

chelsea		item	description	PC	PN SN
 <p>Technical drawings for Chelsea Hotel Shelves. The top row shows a perspective view of the mounting kit and a side view of the 20" frame with dimensions: 22.6" or 26.6" length, 11.1" height, and 4.8" depth. The bottom row shows a perspective view of the 20" frame with squared corners and a side view with dimensions: 22.4" or 26.4" length, 11.1" height, and 4.8" depth.</p>		<p>IMPORTANT: Order (1) Mounting Kit plus (1) Frame to make a complete unit.</p>			
		114B	Hotel Shelf Mounting Kit	137	164
		XX43-20	20" Hotel Shelf Frame with Towel Bar	306	366
		XX43-24	24" Hotel Shelf Frame with Towel Bar	326	387
		XX43S-20	20" Hotel Shelf Frame with Towel Bar, Squared Corners	384	463
		XX43S-24	24" Hotel Shelf Frame with Towel Bar, Squared Corners	415	497

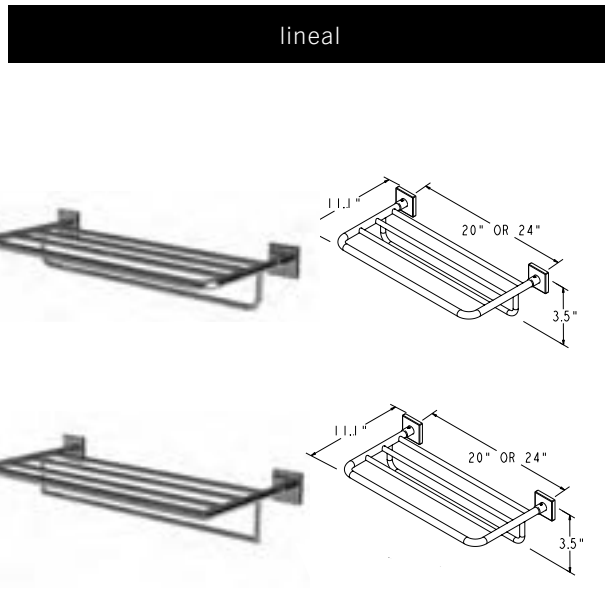
columnar				PC	PN SN
 <p>Technical drawings for Columnar Hotel Shelves. The top row shows a perspective view of the 20" shelf and a side view with dimensions: 22" length, 11.6" height, and 4.4" depth. The bottom row shows a perspective view of the 20" shelf with a towel bar and a side view with dimensions: 22" or 26" length, 11.6" height, and 4.4" depth.</p>		4540-20	20" Hotel Shelf	643	772
		4543-20	20" Hotel Shelf w/ Towel Bar	775	931
		4543-24	24" Hotel Shelf w/ Towel Bar	852	1,024

garnsey				PC	PN SN
 <p>Technical drawings for Garnsey Hotel Shelves. The top row shows a perspective view of the mounting kit and a side view of the 20" frame with dimensions: 11.1" height, 20" or 24" length, and 3.5" depth. The bottom row shows a perspective view of the 20" frame with squared corners and a side view with dimensions: 11.8" height, 20" or 24" length, and 3.8" depth.</p>		<p>IMPORTANT: Order (1) Mounting Kit plus (1) Frame to make a complete unit.</p>			
		544B	Hotel Shelf Mounting Kit	137	164
		XX43-20	20" Hotel Shelf Frame with Towel Bar	306	366
		XX43-24	24" Hotel Shelf Frame with Towel Bar	326	387
		XX43S-20	20" Hotel Shelf Frame with Towel Bar Squared Corners	384	463
		XX43S-24	24" Hotel Shelf Frame with Towel Bar Squared Corners	415	497

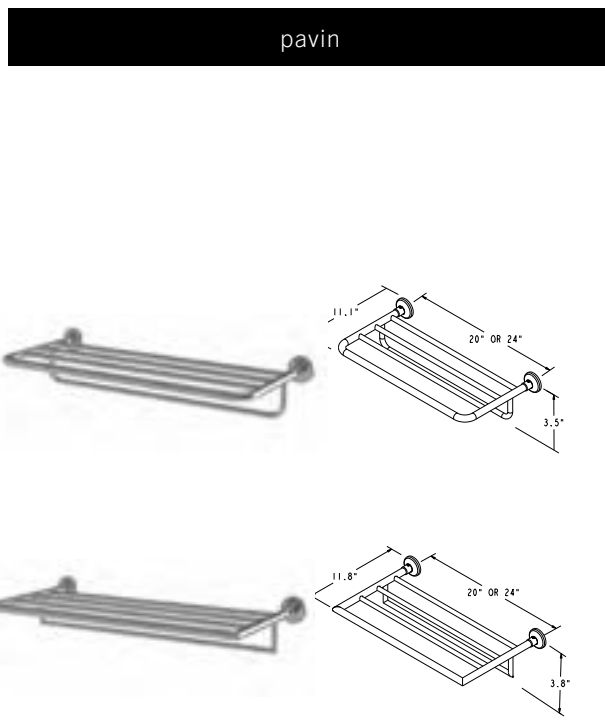
HOTEL SHELVES



item	description	PC	MB PN, SN
IMPORTANT: Order (1) Mounting Kit plus (1) Frame to make a complete unit.			
464B	Hotel Shelf Mounting Kit	128	155
XX43-20	20" Hotel Shelf Frame with Towel Bar	306	366
XX43-24	24" Hotel Shelf Frame with Towel Bar	326	387
XX43S-20	20" Hotel Shelf Frame with Towel Bar Squared Corners	384	463
XX43S-24	24" Hotel Shelf Frame with Towel Bar Squared Corners	415	497


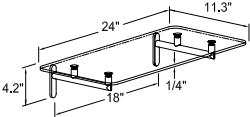

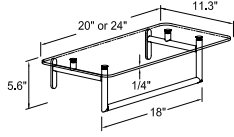


		PC	PN SN
IMPORTANT: Order (1) Mounting Kit plus (1) Frame to make a complete unit.			
524B	Hotel Shelf Mounting Kit	124	148
XX43-20	20" Hotel Shelf Frame with Towel Bar	306	366
XX43-24	24" Hotel Shelf Frame with Towel Bar	326	387
XX43S-20	20" Hotel Shelf Frame w/Towel Bar Squared Corners	384	463
XX43S-24	24" Hotel Shelf Frame w/Towel Bar Squared Corners	415	497


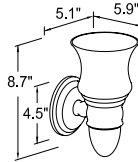

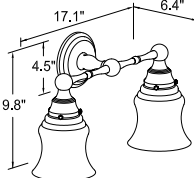

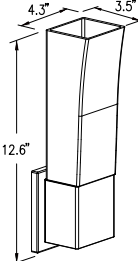

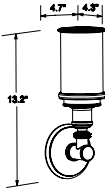

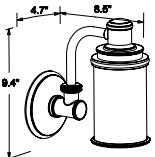


		PC	PN SN
IMPORTANT: Order (1) Mounting Kit plus (1) Frame to make a complete unit.			
564B	Hotel Shelf Mounting Kit	137	164
XX43-20	20" Hotel Shelf Frame with Towel Bar	306	366
XX43-24	24" Hotel Shelf Frame with Towel Bar	326	387
XX43S-20	20" Hotel Shelf Frame w/Towel Bar Squared Corners	384	463
XX43S-24	24" Hotel Shelf Frame w/Towel Bar Squared Corners	415	497

HOTEL SHELVES

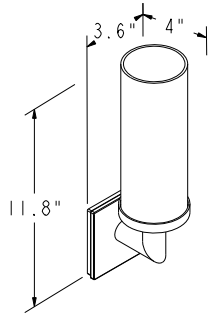
size	item	description	PC	SN
 	0240-24	24" Hotel Shelf	413	484
 	0243-24	24" Hotel Shelf with Towel Bar	512	591

LIGHTS

chelsea		item	description	PC	PN SN	
 		1181	Single Light with Nightlight Option Satin Etch Glass	429	513	
 		1182	Double Light Satin Etched Glass	655	765	
		1181-TG-E	Replacement Top Glass Shade, Satin Etched	119		
		1181-BG-E	Replacement Bottom Glass Shade, Satin Etched	77		
cinu						
 		<p>IMPORTANT: Light use compact fluorescent bulb with a G24Q-2 base. 18-watt, 4-pin G24Q2, 2700K warm white color bulb included.</p>			PC	PN SN
		4781	Single Light Satin Etched, Cased Opal Glass	459	529	
		40409	Replacement Light Shade	192	192	
columnar						
 		<p>IMPORTANT: These lights are compact fluorescent bulbs with a GU24 socket. Incandescent bulbs can not be used with these lights. Bulb(s) include with initial purchase.</p>			PC	PN SN
 		4581-1	Single Light Satin Etched Glass	651	778	
		4581	Single Pivoting Light Satin Etched Glass	681	819	
		4581-G-E	Replacement Glass Shade	186	195	

LIGHTS

dyad



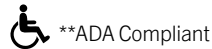
item	description	PC	PN SN
------	-------------	----	----------

IMPORTANT: The backplate on the Dyad Light 5381 is not of standard size. Provide the following information to your electrician and wall finisher for proper installation.

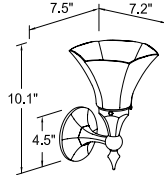
The Dyad Light 5381 is designed to mount onto a raised cover plate (also called a round plaster ring or a round raised mud ring) attached to an electrical box in the pre-drywall stage. Use two no. 8 tapped holes on 2 3/4" centers. Maximum area of finished wall opening that will be covered by the Dyad Light 5381 backplate is 3 5/8" x 3 5/8".

5381	Single Light**	447	539
------	----------------	-----	-----

3681-G-O	Replacement Glass Shade, Satin Etched, Cased Opal. Note finish when ordering (i.e. 3681-G-O/PC)	134	172
----------	-------------------------------------------------------------------------------------------------------	-----	-----



empire



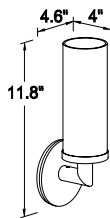
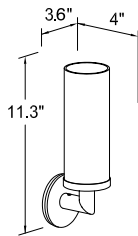
item	description	PC	PN SN
------	-------------	----	----------

IMPORTANT: Empire single and double light may also be installed with the shade facing upward or downward.

682SO	Single Light Satin Opal Glass	435	521
-------	----------------------------------	-----	-----

682-G-SO	Replacement Glass Shade, Satin Opal	132	132
----------	----------------------------------------	-----	-----

kubic



item	description	PC	MB PN, SN
------	-------------	----	--------------

IMPORTANT: The backplate on the 4681 and 4682 lights is not of standard size. Provide the following information to your electrician and wall finisher for proper installation.

The 4681 and 4682 Kubic Lights are designed to mount onto a raised cover plate (also called a round plaster ring or a round raised mud ring) attached to an electrical box in the pre-drywall stage. Use two no. 8 tapped holes on 2-3/4" centers. Maximum diameter of finished wall opening that will be covered by the Kubic light backplate is 3-5/8".

The 4681L and 4682L lights have a larger rosette that covers a standard 1 GANG US junction box. The Kubic Single lights can be installed with the shade facing upward or downward.

4681	Single Light, 3.6" \varnothing Rosette**	466	561
------	--------------------------------------------	-----	-----

DWRR	Raised Cover Plate for 4681 or 4682	13	13
------	----------------------------------------	----	----

4681L	Single Light, 4.6" \varnothing Rosette**	483	580
-------	--------------------------------------------	-----	-----

The Kubic Double lights can be installed horizontally or vertically.

4682	Double Light, 3.6" \varnothing Rosette**	532	638
------	--------------------------------------------	-----	-----

DWRR	Raised Cover Plate for 4681 or 4682	13	13
------	----------------------------------------	----	----

4682L	Double Light, 4.6" \varnothing Rosette**	549	662
-------	--------------------------------------------	-----	-----

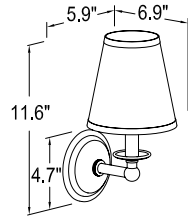
3681-G-O	Replacement Glass Shade, Satin Etched, Cased Opal Note finish when ordering (i.e. 3681-G-O/PC)	134	172
----------	------------------------------------------------------------------------------------------------------	-----	-----



LIGHTS



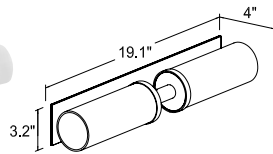
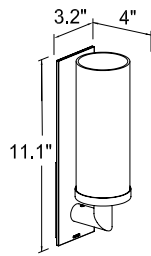
london terrace



item	description	PC	PN SN
------	-------------	----	----------

2681	Single Light White Fabric Shade	239	281
2681-TS	Replacement Fabric Shade	77	77

surface



		PC	SN
--	--	----	----

IMPORTANT: The backplate on these lights are not of standard size. Provide the following information to your electrician and wall finisher for proper installation. Surface single light is designed to be mounted onto a standard vertically installed switch box. Maximum width of finished opening should be less than 2-1/2". Surface double light mounts onto a horizontally installed switch box. Maximum height of finished opening should be less than 2-1/2".

2881	Single Light**	570	683
3681-G-O	Replacement Glass Shade, Satin Etched, Cased Opal Note finish when ordering (i.e. 3681-G-O/PC)	134	172

The Surface Double lights can be installed horizontally or vertically.

2882	Double Light**	675	812
------	----------------	-----	-----



**ADA compliant

All lights are UL listed for damp locations.

Chelsea

Bulbs: Top: A15 or A19 incandescent, 100 watt (2x100 for Double Light).
Bottom: C7, 7 watt maximum.

Cinu

Bulb uses an 18-watt, 4-pin (G24Q-2) base compact fluorescent lamp.
Important: Light uses compact fluorescent bulb with a G24Q-2 base.
18-watt, 4-pin G24Q2, 2700K warm white color bulb included.

Columnar

Lights are UL listed for damp locations. Glass shades are satin etched.
Bulbs are compact fluorescent, GU24 socket, bulb(s) included with initial purchase.

Dyad

ADA compliant

Shade: Satin Etched Cased Opal

Bulbs: A19 incandescent, 100 watt maximum (2x100 for Double Light).
See special installation notes under Dyad light in this section.

Empire

ADA compliant

682 Glass Shade: Satin Opal.

Bulbs: A15 or A19 incandescent, 100 watt maximum.

Kubic

ADA compliant

Shade: Satin Etched Cased Opal

Bulbs: A19 incandescent, 100 watt maximum (2x100 for Double Light).
See special installation notes under Kubic light in this section.

London Terrace

Shade: White Fabric Shade

Bulbs: E12 "candelabra" base incandescent, 60 watt max or E12 "candelabra" base fluorescent.

Surface

ADA compliant.





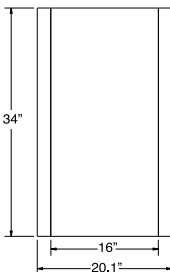


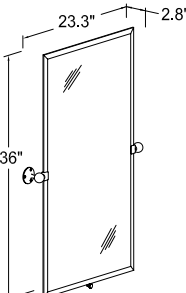


Glass Shade: Satin Etched Cased Opal

Bulbs: A19 incandescent, 100 watt maximum.

Installation Note: Many GINGER lights provide you with a convenient and safety-conscious nightlight option. Exceptions are Chelsea double, Cinu, Columnar, Dyad, Empire, Kubic, London Terrace and Surface. For separate main light and nightlight operation, installer must provide two individually switched "hot" lines to light fixture. Use of double rocker switch is recommended. Complete installation instructions are provided with each GINGER light. All fixtures except the Cinu light may be installed with the main shade facing upward or downward.

MIRRORS



chelsea		item	description	PC	PN SN
 			Tilting mechanism may be used with framed or frameless mirror.		
		1141	Framed Mirror 20.39" x 35" Overall 18" x 35" Glass Only	748	859
		MTM-009	Tilting Mechanism, Optional**	88	88
		 **Mirror tilts 4.5° with mechanism.			
cinu				PC	PN SN
 			Tilting mechanism may be used with framed mirror.		
		4741	Framed Mirror 20.04" x 34" Overall 16" x 34" Glass Only	810	966
		MTM-009	Tilting Mechanism, Optional**	88	88
		 **Mirror tilts 4.5° with mechanism.			
city 212				PC	PN SN
 					
		0142N	Frameless Pivoting Mirror 24.42" x 36.58" Overall 20" x 36" Glass Only	441	530
columnar				PC	PN SN
 					
		4544	Pivoting Vanity Mirror on Slide Bar	710	852

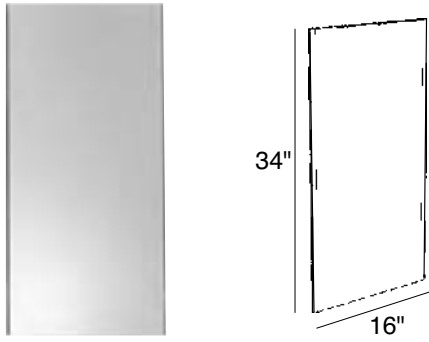
MIRRORS

columnar	item	description	PC	PN SN
	4542	Frameless Pivoting Mirror 23.50" x 36.57" Overall 20" x 36.57" Glass Only	665	798
empire	PC PN SN			
	642	Framed Mirror 26.40" x 36" Overall 24" x 36" Glass Only	774	931
	MTM-009	Tilting Mechanism, Optional**	88	88
		 **Mirror tilts 4.5° with mechanism.		
frame	PC SN			
	3041	Framed Mirror 20.56" x 34.56" Overall	679	767
garnsey	PC PN SN			
	5442	Frameless Pivoting Mirror 24.53" x 36.58" Overall 20" x 36" Glass Only	663	746

MIRRORS

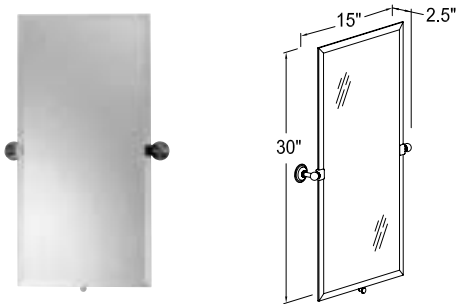


kubic	item	description	NO FINISH
-------	------	-------------	-----------

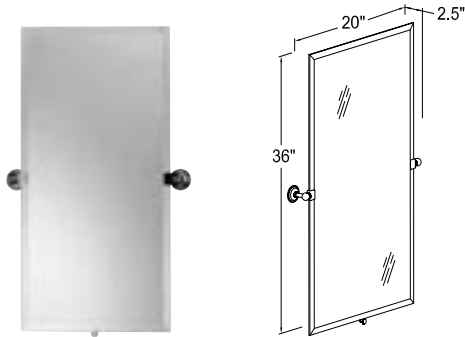


4641N Frameless Mirror
16" x 34" Overall 412

london terrace		PC	PN SN
----------------	--	----	----------

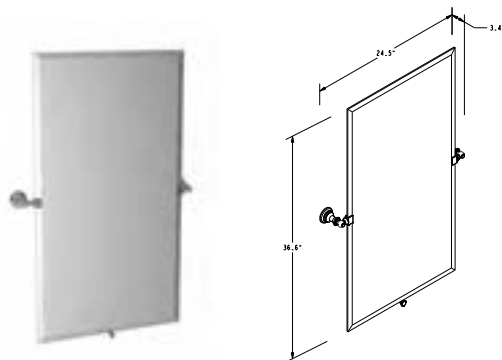


2641 Frameless Pivoting Mirror
18.63" x 30.65" Overall
15" x 30" Glass Only 452 519



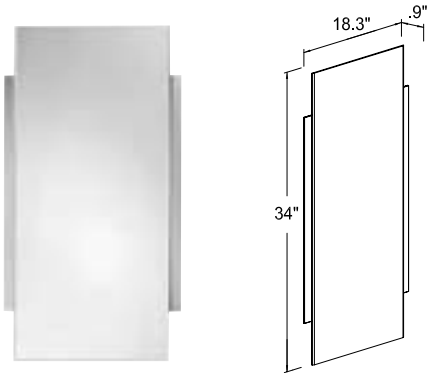

2642 Frameless Pivoting Mirror
23.60" x 36.65" Overall
20" x 36" Glass Only 485 554

pavin		PC	PN SN
-------	--	----	----------



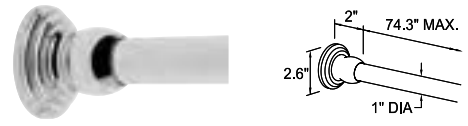

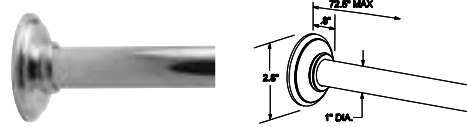
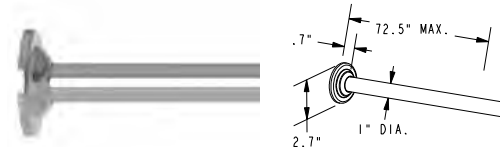
5642 Frameless Pivoting Mirror
24.50" x 36.58" Overall
20" x 36" Glass Only 663 777

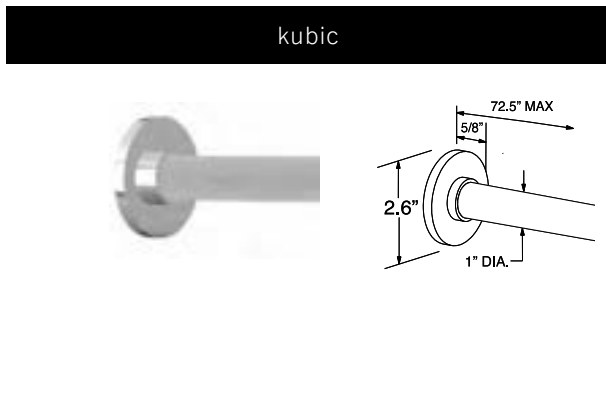
MIRRORS

surface	item	description	PC	SN
	<p>Tilting mechanism may be used w/framed mirror.</p> <p>2841 Mirror 18.26" x 34" Overall 16" x 34" Glass Only</p> <p>MTM-009 Tilting Mechanism, Optional**</p> <p> **Mirror tilts 4.5° with mechanism.</p>	587	689	88
notes	<p>1) Claims for damages must be made within 14 days. See pg. 470, section 4.</p> <p>2) Mirrors: Glass is beveled.</p>			

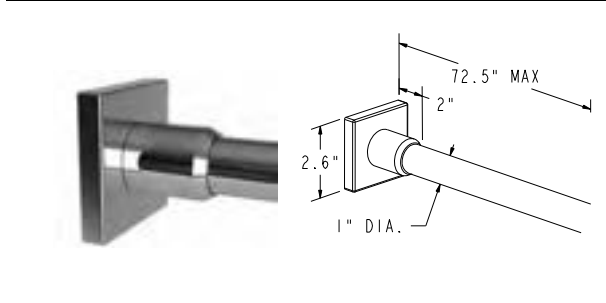
SHOWER RODS



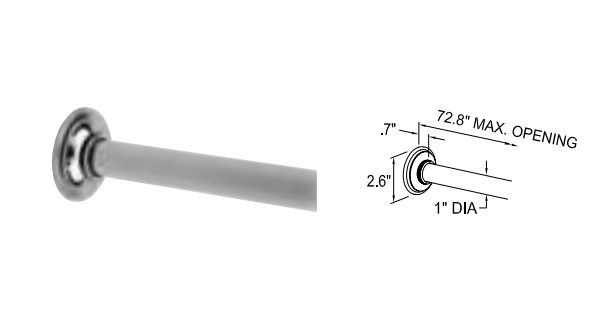
chelsea		item	description	PC	PN SN
	<p>IMPORTANT: Order (1) Bracket Pair plus (1) Rod to make a complete unit. 6' Rod should be trimmed for use in smaller openings.</p>				
	1139R-6	6' Shower Curtain Rod	186	225	
	1139B	Shower Rod Brackets Only Pair	146	175	
circe				PC	PN SN
	<p>IMPORTANT: Order (1) Bracket Pair plus (1) Rod to make a complete unit. 6' Rod should be trimmed for use in smaller openings.</p>				
	1139R-6	6' Shower Curtain Rod	186	225	
	2739B	Shower Rod Brackets Only Pair	146	175	
columnar				PC	PN SN
	<p>IMPORTANT: Order (1) Bracket Pair plus (1) Rod to make a complete unit. 6' Rod should be trimmed for use in smaller openings.</p>				
	1139R-6	6' Shower Curtain Rod	186	225	
	4539B	Shower Rod Brackets Only Pair	146	175	
eavon				PC	PN SN
	<p>IMPORTANT: Order (1) Bracket Pair plus (1) Rod to make a complete unit. 6' Straight Rods should be trimmed for use in smaller openings.</p>				
	1139R-6	6' Shower Curtain Rod	186	225	
	4839B	Shower Rod Brackets Only, Pair	146	175	
garnsey				PC	PN SN
	<p>IMPORTANT: Order (1) Bracket Pair plus (1) Rod to make a complete unit. 6' Straight Rods should be trimmed for use in smaller openings.</p>				
	1139R-6	6' Shower Curtain Rod	186	225	
	5439B	Shower Rod Brackets Only Pair	146	175	



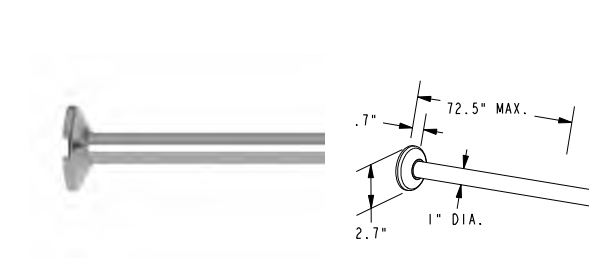
lineal



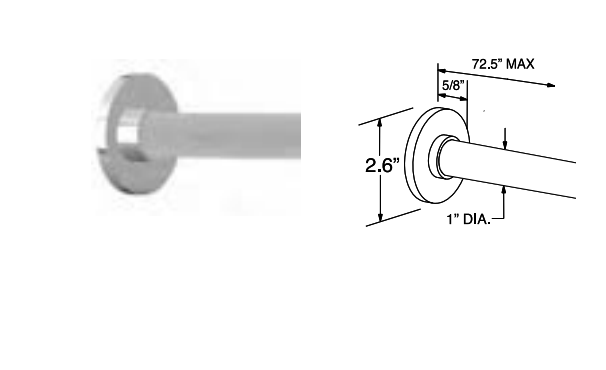
london terrace



pavin



sine



item	description	PC	PN SN
IMPORTANT: Order (1) Bracket Pair plus (1) Rod to make a complete unit. 6' Rod should be trimmed for use in smaller openings.			
1139R-6	6' Shower Curtain Rod†	186	225
4639B	Shower Rod Brackets Only Pair†	91	110
†Not available in MB			

item	description	PC	PN SN
IMPORTANT: Order (1) Bracket Pair plus (1) Rod to make a complete unit. 6' Straight Rods should be trimmed for use in smaller openings.			
1139R-6	6' Shower Curtain Rod	186	225
5239B	Shower Rod Brackets Only Pair	146	175

item	description	PC	PN SN
IMPORTANT: Order (1) Bracket Pair plus (1) Rod to make a complete unit. 6' Rod should be trimmed for use in smaller openings.			
1139R-6	6' Shower Curtain Rod	186	225
2639B	Shower Rod Brackets Only Pair	101	124

item	description	PC	PN SN
IMPORTANT: Order (1) Bracket Pair plus (1) Rod to make a complete unit. 6' Rod should be trimmed for use in smaller openings.			
1139R-6	6' Shower Curtain Rod	186	225
5639B	Shower Rod Brackets Only Pair	146	175

item	description	PC	SN
IMPORTANT: Order (1) Bracket Pair plus (1) Rod to make a complete unit. 6' Rod should be trimmed for use in smaller openings.			
1139R-6	6' Shower Curtain Rod	186	225
4639B	Shower Rod Brackets Only Pair	91	110

SHOWER RODS



shower rings	item	description	PC	SN
	1139SR	Shower Curtain Rings Set of 12	59	75
notes				

1) Straight Shower Rods that are lacquered finished are likely to scratch from abrasion caused by sliding curtain rings. This item is not covered by GINGER's product warranty.

REPLACEMENT PARTS



GINGER

REPLACEMENT PARTS



cayden item	replacement part	description	GRP 1	GRP 2	GRP 3
4917	45XX	Mounting Bracket	19	NA	
4917	1-206	Mounting Hardware Pack, 4917 only	8	NA	
Accessories	6XXB	Mounting Bracket	9	NA	NA
Accessories	8-1.2CPZ	Screw for Mounting Bracket	1	NA	
Accessories	91165	Wall Anchor, Tile	1	NA	
Accessories	91460	Wall Anchor, Drywall	1	NA	
Accessories	92031	Set Screw	1	NA	
Accessories	10615	Hex Key	1	NA	
chelsea item	replacement part	description	GRP 1	GRP 2	GRP 3
1102	1152	5/8" A x 18" Bar	67	79	0
1103	1153	5/8" A x 24" Bar	83	99	0
1110	1100B	Rosette for 1110 Robe Hook Only	26	29	0
1110	11XXB	Wall Mounting Bracket, 1110 Only	9	NA	NA
1110	1-206	Mounting Hardware Pack, 1110 only	8	NA	NA
1114	XX14-DSP-FW	Replacement Glass Bottle, Frosted	83	NA	NA
1114	XX14-PMP	Replacement Pump	97	111	0
1108N, 1108D	1108TN	Replacement Roller	71	83	0
1118T-18	1418-18TSCL	Replacement 18" Shelf Glass	110	NA	NA
1135T-24	1135-24TSCL	Replacement 24" Gallery Shelf Glass	194	NA	NA
Accessories	1100C	Chelsea Rosette	40	47	0
Accessories	11XXD	Wall Mounting Bracket	21	NA	NA
Accessories	8-1.2CPZ	Screw for Mounting Bracket	1	NA	NA
Accessories	91165	Wall Anchor, Tile	1	NA	NA
Accessories	91460	Wall Anchor, Drywall	1	NA	NA
Accessories	CHELPAC	Mounting Hardware Pack	94	NA	NA
Accessories	92308	Set Screw	2	NA	NA
Accessories	10888	Hex Key	1	NA	NA
Hotel Shelves	10615	Hex Key	1	NA	NA
Accessories	CHELPAC	Mounting Hardware Pack	87	NA	NA
Accessories	92308	Set Screw	2	NA	NA
Accessories	10888	Hex Key	1	NA	NA
Hotel Shelves	10615	Hex Key	1	NA	NA
cinu item	replacement part	description	GRP 1	GRP 2	GRP 3
Accessories	1-206	Hardware Pack	8	NA	NA
Accessories	92437	Mounting Bracket	5	NA	NA
Accessories	92495	Set Screw	1	NA	NA
Accessories	92422	Hex Key	1	NA	NA

circe item	replacement part	description	GRP 1	GRP 2	GRP 3
Accessories	2700	Circe Rosette	43	50	NA
Accessories	07XX	Mounting Bracket	9	NA	NA
Accessories	8-1.2CPZ	Screw for Mounting Bracket	1	NA	NA
Accessories	91165	Wall Anchor, Tile	1	NA	NA
Accessories	91460	Wall Anchor, Drywall	1	NA	NA
Accessories	92308	Set Screw	2	NA	NA
Accessories	10888	Hex Key	1	NA	NA
columnar item	replacement part	description	GRP 1	GRP 2	GRP 3
4508N, 4527, 4528	1108TN	Replacement Roller	71	83	NA
Accessories	45XX	Mounting Bracket	19	NA	NA
Accessories	1-206	Mounting Hardware Pack	8	NA	NA
Accessories	92308	Set Screw	2	NA	NA
Accessories	10888	Hex Key	1	NA	NA
dyad item	replacement part	description	GRP 1	GRP 2	GRP 3
5327	2808T	Replacement Roller	74	83	NA
Single Post Accessories	SINEPAC-SINGLE	Mounting Hardware Pack (Single Post)	24	NA	NA
Double Post Accessories	SINEPAC-DOUBLE	Mounting Hardware Pack (Double Post)	38	NA	NA
Accessories	02XXG	Mounting Bracket	5	NA	NA
Accessories	1-206	Mounting Hardware Pack	8	NA	NA
Accessories	92031	Set Screw	1	NA	NA
Accessories	10615	Hex Key	1	NA	NA
eavon item	replacement part	description	GRP 1	GRP 2	GRP 3
4817	45XX	Mounting Bracket	19	NA	NA
4817	1-206	Mounting Hardware Pack, 4817 Only	8	NA	NA
Accessories	6XXB	Mounting Bracket	9	NA	NA
Accessories	8-1.2CPZ	Screw for Mounting Bracket	1	NA	NA
Accessories	91165	Wall Anchor, Tile	1	NA	NA
Accessories	91460	Wall Anchor, Drywall	1	NA	NA
Accessories	92031	Set Screw	1	NA	NA
Accessories	10615	Hex Key	1	NA	NA
empire item	replacement part	description	GRP 1	GRP 2	GRP 3
608	1108TN	Replacement Roller	71	83	NA
Single Post Accessories	600B	Small Hexagonal Cone	38	45	NA
Single Post Accessories	6XXB	Small Mounting Bracket	9	NA	NA
Accessories	8-1.2CPZ	Screw for Mounting Bracket	1	NA	NA
Accessories	91165	Wall Anchor, Tile	1	NA	NA
Accessories	91460	Wall Anchor, Drywall	1	NA	NA
Double Post Accessories	600A	Large Hexagonal Cone	49	68	NA
Double Post Accessories	6XXA	Large Mounting Bracket	11	NA	NA
Double Post Accessories	EMPPACA	Mounting Hardware Pack, Double Post	77	NA	NA
Accessories	10888	Hex Key	1	NA	NA
Hotel Shelves	10615	Hex Key	1	NA	NA

REPLACEMENT PARTS



frame item	replacement part	description	GRP 1	GRP 2	GRP 3
3008, 3027	2808T	Replacement Roller	74	83	NA
Accessories	30XX	Mounting Bracket	6	NA	NA
Accessories	1-206	Mounting Hardware Pack	8	NA	NA
3018T-24	3018-24TSCL	24" Shelf, Tempered Glass	113	NA	NA
3027	3027G	Tempered Glass, Toilet Tissue Holder	77	NA	NA
ACCESSORIES	92308	Set Screw	2	NA	NA
Accessories	10888	Hex Key	1	NA	NA
garnsey item	replacement part	description	GRP 1	GRP 2	GRP 3
Accessories	6XXB	Mounting Bracket	9	NA	NA
Accessories	8-1.2CPZ	Screw for Mounting Bracket	1	NA	NA
Accessories	91165	Wall Anchor, Tile	1	NA	NA
Accessories	91460	Wall Anchor, Drywall	1	NA	NA
Accessories	92031	Set Screw	1	NA	NA
Accessories	10615	Hex Key	1	NA	NA
Hotel Shelves	10615	Hex Key	1	NA	NA
hotelier item	replacement part	description	GRP 1	GRP 2	GRP 3
0314	XX14-PMP	Replacement Pump	97	111	NA
0314	XX14-DSP-FW	Replacement Glass Bottle, Frosted	83	NA	NA
Accessories	03XX	Mounting Bracket	5	NA	NA
Accessories	HOTELPAC	Mounting Hardware Pack	69	NA	NA
Baskets	HOTELBASKPAC	Basket Mounting Hardware Pack	59	68	NA
Baskets	55CC	Hotelier Basket Cap Only	9	11	NA
Hotel Shelves	10615	Hex Key	1	NA	NA
kubic item	replacement part	description	GRP 1	GRP 2	GRP 3
4610T	30XX	Mounting Bracket	6	NA	NA
4610T	1-206	Mounting Hardware Pack	8	NA	NA
4627	2808T	Replacement Roller	74	83	NA
Accessories	SINEPAC-SINGLE	Mounting Hardware Pack for all accessories except 4610T	24	NA	NA
Double Post Accessories	SINEPAC-DOUBLE	Mounting Hardware Pack (Double Post)	38	NA	NA
Accessories	02XXG	Mounting Bracket	5	NA	NA
Hotel Shelves	10615	Hex Key	1	NA	NA
light item	replacement part	description	GRP 1	GRP 2	GRP 3
1181 & 1182	1181-TG-E	Replacement Top Glass Shade, Satin Etched	119	NA	NA
1181	1181-BG-E	Replacement Bottom Glass Shade, Satin Etched	77	NA	NA
2681	2681-TS	London Terrace Fabric Light Shade	77	NA	NA
4581 & 4581-1	4581-G-E	Replacement Glass Shade	186	195	NA
4681 & 4682	3681-RB	Kubic Light Small Rosette	36	42	NA
2881, 2882, 4681, 4681L, 4682 & 4682L, 5381	3681-G-O	Replacement Glass Shade, Satin Opal	134	172	NA
4681L & 4682L	3681-LB	Kubic Light Large Rosette	36	43	NA
4781	40409	Replacement Glass Shade	192	NA	NA
682SO, 682-2SO	682-G-SO	Replacement Glass Shade, Satin Opal	132	NA	NA
1181 & 1182	1181-RB	Chelsea Light Rosette	36	43	NA

lineal item	replacement part	description	GRP 1	GRP 2	GRP 3
Accessories	6XXB	Mounting Bracket	9	NA	NA
Accessories	8-1.2CPZ	Screw for Mounting Bracket	1	NA	NA
Accessories	91165	Wall Anchor, Tile	1	NA	NA
Accessories	91460	Wall Anchor, Drywall	1	NA	NA
Accessories	92422	Hex Key	1	NA	NA
Hotel Shelves	10615	Hex Key	1	NA	NA
london terrace item	replacement part	description	GRP 1	GRP 2	GRP 3
2608	7-752	Replacement Roller	46	54	NA
2619T-24, 2635T-24	2635-24TSCL	24" Shelf, Tempered Glass	85	NA	NA
2636T	2636-12TTCL	12" Tray Tempered Glass	68	NA	NA
Accessories	1-206	Mounting Hardware Pack	8	NA	NA
Accessories	92308	Set Screw	2	NA	NA
Accessories	10888	Hex Key	1	NA	NA
pavin item	replacement part	description	GRP 1	GRP 2	GRP 3
Accessories	6XXB	Mounting Bracket	9	NA	NA
Accessories	8-1.2CPZ	Screw for Mounting Bracket	1	NA	NA
Accessories	91165	Wall Anchor, Tile	1	NA	NA
Accessories	91460	Wall Anchor, Drywall	1	NA	NA
Accessories	92031	Set Screw	1	NA	NA
Accessories	10615	Hex Key	1	NA	NA
Hotel Shelves	10615	Hex Key	1	NA	NA
sine item	replacement part	description	GRP 1	GRP 2	GRP 3
0208	7-752	Replacement Roller	46	54	NA
0218CT-10-10	0218C-10TSCL	Corner Tray, 3/8" Tempered Glass	58	NA	NA
0218T-18	0218-18TSCL	Shelf, 3/8" x 18" Tempered Glass Shelf	77	NA	NA
0219T-18, 0234T-18	0234-18TSCL	Shelf, 1/4" x 18" Tempered Glass Shelf	68	NA	NA
0240-24, 0243-24	024X-24TSCL	24" Hotel Shelf, Tempered Glass	157	NA	NA
Single Post Accessories	SINEPAC-SINGLE	Mounting Hardware Pack (Single Post)	24	NA	NA
Double Post Accessories	SINEPAC-DOUBLE	Mounting Hardware Pack (Double Post)	38	NA	NA
Accessories	02XXG	Mounting Bracket	5	NA	NA
Accessories	1-206	Mounting Hardware Pack	8	NA	NA
Accessories	92308	Set Screw	2	NA	NA
Accessories	10888	Hex Key	1	NA	NA
splashables	replacement part	description	GRP 1	GRP 2	GRP 3
Baskets	5XXC	Basket Cap Cover, Each	6	9	NA
Baskets	5XXF	Basket Post, Each	5	6	NA
Baskets	5XXR	Basket O-Ring for Cap Cover, Each	2	NA	NA
Baskets	SPLASHPAC	Splashables Mounting Hardware Pack	83	99	NA

REPLACEMENT PARTS



surface item	replacement part	description	GRP 1	GRP 2	GRP 3
2808	2808T	Replacement Roller	74	83	NA
2810, 2810D, 2810Q & 2810T	28XXB	Robe Hook Wall Mounting Bracket	9	NA	NA
Accessories	28XXG	Wall Mounting Bracket	9	NA	NA
Accessories	1-206	Mounting Hardware Pack	8	NA	NA
Accessories	92031	Set Screw	1	NA	NA
Accessories	10615	Hex Key	1	NA	NA
Shower Shelves	SSSPAC	Surface Shower Shelves Mounting Hardware Pack	32	NA	NA
Shower Shelves	92426	Bolt for Shower Shelf Mount	1	NA	NA

TERMS & CONDITIONS

Sales by Brasstech, Inc ("Seller") to purchaser ("Buyer") are governed by these Terms & Conditions, which may not be varied by any unilateral writing of the Buyer without the expressed written consent of the Seller. Our acceptance of your order is conditioned upon the application of these terms and conditions to the order. Any terms and conditions that you may propose in connection with your order that are additional or different from these terms and conditions are deemed material and are hereby rejected.

1. PRICES:

Prices are subject to change without notice and are exclusive of any shipping, delivery, packaging or handling charges that might apply.

2. TERMS OF DELIVERY:

Seller's products ("Products") are offered Ex-Works Brasstech, Inc., unless otherwise specifically agreed in writing. Risk of loss of Products shall pass to Buyer upon delivery to carrier at place of shipment. Title shall also pass to Buyer upon delivery thereof, subject to our rights under our purchase money security interest pursuant to paragraph 3(c) below. Carrier acts as Buyer's agent. Unless we expressly authorize in our sole discretion otherwise, all Products will be shipped to Buyer's approved showroom location or to a location within Buyer's local trade area.

3. TERMS OF PAYMENT:

(a) Seller's terms for all Products sold are 1% 10 Net 30 days from invoice date. Accounts past due are subject to a 1.5% monthly late charge on unpaid balance. (b) Trade discounts from the list prices are expressly conditioned upon timely payment by the Buyer. Trade discounts for accounts past due are subject to rescission by the Seller, at the Seller's sole and absolute discretion. Upon demand by the Seller, the full list price for past due invoices shall become due, subject to the monthly late charge, as described in section 3(a). (c) Until Seller has received full payment for all Products delivered by Seller, Seller shall retain and Buyer hereby grants to Seller a purchase money security interest in such Products to secure payment, so that all such Products which remain within the possession or control of Buyer shall be subject to being demanded back by Seller until the full purchase price is paid pursuant to Seller's purchase money security interest in such Products.

4. CLAIMS:

(a) Nonconforming orders: Buyer shall submit to Seller any and all claims for nonconforming delivery of Products by written notice to Seller within fourteen (14) days of receipt of Products. Seller's occasional acceptance of claims made beyond the 14-day period does not constitute a waiver of the 14-day requirement. (b) Damages: Upon delivery of the Products, Buyer should examine the package for damage. Any damage should be noted on the carrier's delivery receipt before signing. In the event of apparent or concealed damage or shortage, Buyer should retain all packaging and file a claim with the carrier. SELLER'S RESPONSIBILITY CEASES WHEN THE PRODUCTS ARE DELIVERED IN GOOD CONDITION TO THE CARRIER.

5. RETURNS:

Effective on orders placed on or after July 1, 2009, the following Return Policy is in place for all Brasstech, Inc. products including products branded: Brasstech®, Newport Brass®, GINGER® and Newport 365:

- All non-defective returns are subject to a 25% restocking fee.
- Returns of non-defective products are subject to a 15% re-boxing fee, to be applied at the discretion of the company, if the product packaging is damaged.
- All returns due to a Brasstech, Inc. error or non-conforming products are subject to a 0% restocking fee.
- RGA (Return Goods Authorization) requests will be accepted up to 180 days from shipment of the product.
- Living finishes are non-returnable.
- Mirrors - returns are permitted for nonconforming product only.
- Special order items and finishes are non-returnable.

6. QUOTATIONS:

All quotations will provide an Estimated Time of Delivery (ETD). The ETD is offered as a best estimate of the anticipated delivery time, which the Seller will attempt to meet. It is expressly stated that the ETD is not binding upon Seller and does not provide the basis for consequential or other damages for delay.

7. CHARGES:

- (A) RETURNED CHECK CHARGE: \$50.
- (B) HANDLING CHARGE: HANDLING CHARGES WILL APPLY.
- (C) RESTOCKING CHARGE: 25% OF INVOICED VALUE, PER 5 ABOVE.
- (D) REBOXING CHARGE: 15% OF INVOICED VALUE, PER 5 ABOVE.

8. BUYER'S SPECIFICATIONS:

If the Products sold hereunder are to be manufactured according to the Buyer's specifications, Buyer shall defend, hold harmless, and indemnify Seller against any claims, damages, suits, proceedings, liabilities, costs or attorney's fees incurred in relation to any claim for patent, copyright, trademark or other intellectual property interest infringement or product design defect.

9. FORCE MAJEURE:

Seller shall not be liable for any delay in delivery or for non-delivery, in whole or in part, cause by the occurrence of any contingency beyond the control either of Seller or of suppliers to the Seller, including but not limited to failure or delay in transportation, acts of any government of any agency or subdivision thereof, judicial action, labor, fuel, raw material or machinery or technical failure. If any contingency occurs, Seller may allocate production and deliveries among Seller's customers.

10. CREDIT APPROVAL:

Acceptance of your order and shipment and delivery of Products shall at all times be subject to the approval of Seller's credit department and Seller may at any time decline to make any shipment or delivery except upon receipt of payment in advance or upon terms and conditions or security satisfactory to Seller. Seller is entitled to recover costs and attorney's fees in the enforcement or defense of any rights under any order. Interest accrues on all past-due accounts at the maximum rate of interest allowed by law.

11. SELLER'S INTELLECTUAL PROPERTY:

Buyer does not and shall not acquire ownership or any rights in Seller's patents, inventions, technical data, copyrights, trademarks or other intellectual property rights under any order, regardless of when such patents, inventions, technical data or other intellectual property rights may be or have been issued, conceived, generated, or produced. All Seller patents, information, technical data, copyrights, trademarks and other intellectual property rights are reserved by Seller, and the same shall not be reproduced or used by Buyer for any purpose whatsoever without Seller's written permission.

12. GOVERNING LAW:

All orders shall be construed, interpreted and the rights of the parties determined in accordance with the laws of the State of Delaware.

13. LIMITATIONS ON ACTIONS AND LIABILITY:

The statute of limitations applicable to all Buyer's claims arising under this agreement shall be one year from the date the claim accrues. In no event shall Seller be liable for incidental, indirect, special or consequential damages, whether based upon warranty, breach of contract, negligence, strict liability or any other legal theory.

14. ENTIRE AGREEMENT:

These Terms and Conditions and Seller's dealer policies published from time to time by Seller contain the entire agreement of the parties relating to the subject matter hereof and may not be waived, changed, modified, extended or discharged orally but only by agreement in writing and signed by the party against whom enforcement of any such waiver, charge, modification, extension or discharge is sought. If you have a current separate written dealer agreement with Seller ("Dealer Agreement"), the provisions of the Dealer Agreement will apply to all orders placed during the effective term of the Dealer Agreement, and to the extent that these Terms and Conditions conflict with the provisions of any such Dealer Agreement, the provisions of the Dealer Agreement will control.

15: All allowances, rebates, and amounts under other programs offered to you by Seller from time to time (collectively "Programs") are payable only if Customer's accounts (including those of your subsidiaries and affiliates) are current with all Masco Corporation subsidiaries and affiliates. If the accounts are not current, Programs are considered not earned or payable. In addition, Programs are not earned or payable if the ratings issued by any agency, such as S&P, Moody's, or Fitch, relating to Customer's company, parent, subsidiaries, or affiliates are lower than investment grade quality. Any earned payment may be withheld or be used to satisfy any of the accounts or other obligations to a Masco subsidiary or affiliate.

ECOA NOTICE

The federal Equal Credit Opportunity Act prohibits creditors from discriminating against credit applicants on the basis of race, color, religion, national origin, sex, marital status, age (provided that the applicant has the capacity to enter into a binding contract); because all or part of the applicant's income derives from any public assistance program; or because the applicant has in good faith exercised any right under the Consumer Protection Credit Act. The federal agency that administers compliance with this law concerning this credit is the Federal Trade Commission, Division of Credit Practices, 6th and Pennsylvania Avenue NW, Washington DC 20580. For CA residents: An applicant, if married, may apply for a separate account. For OH residents: The Ohio laws against discrimination require that all creditors make credit equally available to all credit worthy customers, and that credit reporting agencies maintain separate credit histories on each individual upon request. The Ohio civil rights commission administers compliance with this law.

Please refer to our website for most current Terms & Conditions.

LIMITED WARRANTY

Brasstech, Inc. warrants to the original consumer residential purchaser (“Original Purchaser”) that if a product in its; Newport Brass®, Brasstech®, Newport 365 or GINGER® lines of products (“Product”) is confirmed upon inspection to be defective in materials or workmanship during the warranty periods described below, Brasstech, Inc. will, at its option, either repair or provide one-time replacement of the Product with a similar current model of the Product. If repair or replacement is not commercially practical or cannot be made in a timely manner, then Brasstech, Inc. will provide a refund for the Product. This warranty is non-transferable.

WARRANTY PERIODS AND COVERAGE PRODUCT FINISHES

WARRANTY PERIODS AND COVERAGE PRODUCT FINISHES

- PVD and Polished Chrome (26) finishes on Products other than Drains and Shower rods are warranted as long as the Original Purchaser owns their home.
- “Living” finishes have no warranty*. These include 03N & 08W.
- Shower rods, porcelain parts and glass parts have no finish warranty.
- Mirror products will be warranted from desilvering for two (2) years from the date of purchase by the original purchaser as long as desilvering is not due to chemical contact. See maintenance section for proper cleaning instructions.
- All other finishes are warranted for ten (10) years from date of purchase by the Original Purchaser.

DRAIN FINISHES

- Polished Chrome (26) and PVD finishes on kitchen, bath or lavatory drains including drain baskets and components are warranted for one (1) year from date of purchase by the Original Purchaser.
- All other Drain finishes have no warranty.

FUNCTIONALITY

- All Product parts except valves are warranted for ten (10) years from the original date of purchase by the Original Purchaser.
- Ceramic disc valves for the lavatory faucet and roman tub are warranted for as long as the Original Purchaser owns the home.
- All other valves (balance pressure, thermostatic, etc.) are warranted for one (1) year from date of purchase by the Original Purchaser.
- Lights have no functional warranty. Soap / Lotion pump mechanisms are warranted for one (1) year from date of purchase by the Original Purchaser.
- Shower rods, porcelain parts and glass parts have no functional warranty.
- Hot water tanks are warranted for one (1) year from the date of purchase by the Original Purchaser.
- Products used on the exterior of a home carry a (1) year finish and functional warranty from the date of purchase by the Original Purchaser.
- Products sold for use as display items are not meant for resale and are not covered under any functional or finish warranty.

LIMITATION OF SPECIAL, INCIDENTAL OR CONSEQUENTIAL DAMAGES

Please note that some states/provinces do not allow the exclusion or limitation of special, incidental or consequential damages, so the below limitations and exclusions may not apply to you. BRASSTECH, INC. SHALL NOT BE LIABLE FOR ANY SPECIAL, INCIDENTAL OR CONSEQUENTIAL DAMAGES (INCLUDING LABOR CHARGES TO REPAIR, REPLACE, INSTALL OR REMOVE THIS PRODUCT), WHETHER ARISING OUT OF BREACH OF ANY EXPRESS OR IMPLIED WARRANTY, BREACH OF CONTRACT, TORT, OR OTHERWISE. BRASSTECH, INC. SHALL NOT BE LIABLE FOR ANY DAMAGE TO THE PRODUCT RESULTING FROM NORMAL WEAR AND TEAR, OUTDOOR USE, MISUSE (INCLUDING USE OF THE PRODUCT FOR AN UNINTENDED APPLICATION), ABUSE, HARD WATER, IMPROPER STORAGE, IMPROPER HANDLING, IMPROPER INSTALLATION***, IMPROPER MAINTENANCE**, OR OTHER USES OTHER THAN NORMAL HOUSEHOLD USAGE.

LIMITATION ON DURATION OF IMPLIED WARRANTIES

Please note that some states/provinces do not allow limitations on how long an implied Warranty lasts, so limitations may not apply to you. TO THE EXTENT PERMITTED BY LAW, ANY IMPLIED WARRANTY, INCLUDING THE IMPLIED WARRANTIES OF MERCHANTABILITY AND OF FITNESS FOR A PARTICULAR PURPOSE, IS LIMITED TO THE STATUTORY PERIOD OR THE DURATION OF THIS WARRANTY, WHICHEVER IS SHORTER.

WARRANTY SERVICE

To obtain service under this Warranty, please contact your Product dealer. If you are unable to locate your dealer, please call 949-417-5207 or access the Brasstech, Inc. website at www.brasstech.com. Proof of purchase, such as the original receipt, is required for the dealer to issue credit to the consumer. The dealer must be an authorized dealer and the product must be purchased in the original manufacturer’s packaging (display items excluded).

STATE REMEDIES

This Warranty gives you specific legal rights, and you may have other rights which vary by state and/or province.

PRODUCT CARE

Simple care is all that is needed in maintaining this product. Abrasive cleansers, detergents and silver or brass polish may result in damage to the finish and therefore should not be used. To clean, simply wipe with a soft, water dampened cloth. Hand, deck and wall shower sprays feature easy-cleaning jets. The jets should be cleaned periodically by rubbing your thumb or a damp cloth across the jets to loosen mineral deposits. Run the shower spray briefly to purge the loosened deposits.

* UNCOATED AND LIVING FINISHES

Uncoated and Living finishes such as Polished Brass Uncoated (03N) and living finishes such as Weathered Copper (08W), do naturally weather and change color over time. Living and uncoated finishes are not warranted.

** MAINTENANCE

Proper maintenance is required to preserve all finishes. Do not use any abrasive cleaners, alcohol, ammonia, detergents, or brass or silver polish on the Products. For complete care requirements and recommendations, please visit our website at www.brasstech.com.

*** PROPER INSTALLATION

Products must be installed in accordance with the manufacturer’s installation instructions supplied with the Products. For example, pipes must be flushed before faucet installations, because solder and other debris may damage ceramic discs. You may also call 949-417-5207 for copies of the installation instructions. Many of our installation instructions are also available on our website, www.brasstech.com.

**** COMMERCIAL PURCHASERS

Brasstech, Inc. extends the above limited warranty to purchasers of Products for industrial, commercial and business use upon the same terms and conditions and exclusions applicable to residential purchasers, except that the finish and functionality warranty periods are reduced to a period of one (1) year from the date of purchase. ADDITIONALLY, with respect to commercial purchasers, all implied warranties, including the implied warranties of merchantability and fitness for a particular purpose are excluded and disclaimed.

NUMERICAL PARTS INDEX

PART	I	II	III	PAGE
0142N	441	530		457
0202	170	202		435
0203	179	216		435
0205	128	155		435
0206	114	139		435
0208	182	217		435
0210	89	97		435
0210H	67	76		435
0218-18TSCL	77	NA	NA	468
0218B-10	63	75		436
0218C-10TSCL	58	NA	NA	468
0218CT-10-10	129	159		436
0218T-18	158	189		436
0219T-18	385	463		436
0222-24	317	367		435
0234-18TSCL	68	NA	NA	468
0234T-18	192	230		436
0240-24	413	484		436
0243-24	512	591		436
024X-24TSCL	157	NA	NA	468
02XXG	5	NA	NA	466
0303	118	141		418
0305	99	118		418
0306	99	118		418
0308	121	144		418
0310	58	60		418
0314	208	249		418
0322-16	130	158		418
03XX	5	NA	NA	467
07XX	9	NA	NA	466
I-001	67			383
I-002	67			383
I-003	120			382
I-004	120			382
I-005	68			380
I-006	68			380
I-016	127			382
I-028	161			380
I-035	54			382
I-043	104			380
I-064	195			379
I-068	48			380
I-073	122			380
I-074	122			380
I-091	107			383
I-092	107			383
I-093	144			382
I-094	144			382
I-100	175			386
I-102	379			380
I-103	44			380
I-107	9			383
I-108	9			383
I-109	9			381
I-110	9			383
I-130	9			383
I-131	9			383
I-151	113			380
I-152	33			380
I-153	107			380

PART	I	II	III	PAGE
I-163	61			382
I-191	230			382
I-206	8	NA	NA	465
I-207	223			380
I-226	124			385
I-230	74			382
I-234	197			387
I-242	37			384
I-243	42			387
I-249	75			380
I-254	33			382
I-255	58			380
I-256	15			379
I-259	43			388
I-278	46			380
I-279	60			380
I-280	145			380
I-286	14			379
I-286A	29			379
I-288	40			324
I-298	37			389
I-331	146			381
I-339	323			323
I-355	192			315
I-356	192			315
I-357	192			315
I-358	192			315
I-376	69			382
I-378	440			98
I-396	53			380
I-452	126			380
I-453	126			380
I-454	160			380
I-455	79			380
I-469	549			142
I-478	192			315
I-479	192			315
I-480	192			315
I-481	192			315
I-482	53			315
I-483	439			142
I-500U	358			97
I-502	438			97
I-503	883			97
I-506	438			80
I-507	883			80
I-532U	358			96
I-535	399			380
I-536	207			379
I-540	794			348
I-555	271			380
I-556	160			380
I-570	883			169
I-586	438			303
I-587	883			303
I-588	96			384
I-600	122			383
I-601	122			383
I-602	229			382
I-603	229			382

PART	I	II	III	PAGE
I-606U	195			355
I-607U	265			355
I-610	169			383
I-611	169			383
I-612	282			382
I-613	282			382
I-617	279			355
I-636	438			169
I-654	72			383
I-665	438			133
I-666	883			133
I-676	209			385
I-684	278			348
I-685	384			348
I-697	438			127
I-698	883			127
I-701	334			355
I-702	334			355
I-703	334			355
I-704	334			355
I-705	334			355
I-706	334			355
I-707	334			355
I-714	345			382
I-741	524			348
I-742	627			348
I-743	686			348
I-744	686			348
I-745	627			348
I-747	459			380
I-748	269			380
10-81	407	483	610	356
10-89	186	222	262	356
100	55	69	83	75
1000	878	1,251	1,505	156
1000B	1,051	1,426	1,714	156
10010	34	48	56	384
10016	112	159	188	389
10021	37	51	57	383
1008	943	1,248	1,450	36
1009	1,585	2,217	2,662	158
10095	81	110	132	383
101	99	142	152	104
10104	62	89	108	384
1013	1,515	2,121	2,543	157
1014	1,444	2,018	2,424	157
10175	147	208	250	383
1020	895	1,233	1,475	90
1020-2400	160	218	274	94
1020-3942	599	781	944	94
1020-4273	1,805	2,300	2,795	91
1020-4283	1,723	2,214	2,683	91
10288	48	56	67	383
10289	34	48	56	386
103	39	48	55	75
1030	895	1,251	1,505	117
1030-5103	1,219	1,472	1,699	24
1030-5223	1,140	1,372	1,600	26
1030-5462	1,480	1,998	2,297	26
1030-5463	1,480	1,998	2,297	26

NUMERICAL PARTS INDEX

PART	I	II	III	PAGE
1030-5503	1,227	1,509	1,740	27
1030-5603	713	864	986	27
1030-5613	628	793	916	27
1030-5623	511	647	746	27
1030-5711	146	191	227	27
1030-5721	295	382	437	27
1030B	1,023	1,466	1,714	117
10313	102	140	133	383
1038	896	1,185	1,376	26
10382	17			382
10413	97	130	124	385
10419	70	95	90	385
10437	122	170	207	384
10438	91	129	153	384
10489	26			380
10493	14			380
10494	9			380
10539	44	58	67	385
10575	148	208	252	384
106	653	776	895	73
106C	412	500	553	73
106H	564	685	790	73
10615	1	NA	NA	465
10620	81	112	133	386
10631	14			380
107	653	776	895	73
107C	412	500	553	73
107H	564	685	790	73
108	691	822	946	73
108C	415	517	586	73
108H	596	758	872	74
10815	9			383
10816	9			383
10817	9			381
10827	39	48	56	386
10829	107	148	141	385
10842	53	70	67	385
10854	148	208	237	384
10888	1	NA	NA	465
1090	1,292	1,727	2,071	80
10937	9			383
10961	34	48	56	384
10973	59	79	88	383
1099	1,995	2,795	3,356	81
11XXB	9	NA	NA	465
11XXD	21	NA	NA	465
1100B	26	29		465
1100C	40	47		465
1101	197	233		396
1102	208	253		396
1103	227	269		396
1105	154	185		396
1107	183	221		396
1108D	348	420		396
1108N	204	248		396
1108TN	71	83		465
1109	192	230		396
11092	38	51	57	388
11094	97	131	159	388
111	220	239	287	76

PART	I	II	III	PAGE
111-2961	761	950	1,286	366
111-2962	761	950	1,286	366
1110	68	76		396
1111	138	151		396
1114	253	307		397
1118B	267	312		397
1118T-18	322	385		397
11181	34	48	56	385
112	88	124	146	365
112A	105	133	162	365
11208	4			379
1121	192	230		396
1122-18	419	501		396
1122-24	451	541		396
1122-32	454	NA		396
1127	219	262		396
113	54	85	104	365
11301	44			380
11309	77	106	101	380
1135-24TSCL	194	NA	NA	465
1135T-18	441	528		397
1135T-24	498	NA		397
1139B	146	175		461
1139R-6	186	225		461
1139SR	59	75		463
114B	137	164		450
11403	4			386
1141	748	859		398
11415	66	90	86	388
11491	9			380
1152	67	79		465
1153	83	99		465
11579	33	46	44	386
11583	33	46	44	384
11588	30	33	38	384
11610	44	58	67	390
11711	7			380
11738	83	112	107	387
11768	78	105	100	389
1181	429	513		398
1181-BG-E	77			453
1181-RB	36	43	NA	467
1181-TG-E	119			453
11817	13			380
1182	655	765		398
11843	53	70	67	383
11874	9			379
11877	62			379
120	202	235	274	365
1200	878	1,242	1,429	212
1200C	995	1,295	1,490	212
1200-1230	213	255	327	218
1200-1250	220	262	334	218
1200-1400	184	221	282	218
1200-1500	255	279	390	219
1200-1510	197	214	294	219
1200-1650	104	122	153	218
1200-1660	125	152	189	219
1200-2400	160	218	274	219
1200-3942	599	781	944	219

PART	I	II	III	PAGE
1200-4273	1,805	2,300	2,795	215
1200-4283	1,723	2,214	2,683	215
1200-5103	1,219	1,472	1,699	46
1200-5223	1,140	1,372	1,600	46
1200-5503	1,227	1,509	1,740	46
1200-5603	680	838	958	46
1200-5613	628	793	916	46
1200-5623	511	647	746	46
1203	950	1,285	1,473	213
1203-1	1,057	1,424	1,638	213
12062	4			380
1208	896	1,185	1,376	64
1209	1,585	2,217	2,662	216
121	162	190	213	365
12118	526	711	677	381
12119	191	259	247	381
12120	129	174	166	381
12121	377	418	398	381
12122	465	628	598	381
12162	39	54	51	389
12172	75	93	104	383
122	157	179	207	365
122LS	167	185	215	365
1220	878	1,242	1,429	212
1220C	995	1,295	1,490	212
12259	37	51	49	380
12266	116	158	150	388
1230	1,118	1,509	1,676	212
1230C	1,229	1,573	1,727	212
1233	1,091	1,472	1,689	213
1233-1	1,196	1,615	1,856	213
12363	57	79	75	387
12372	57	79	75	390
124	226	290	345	77
124-6	160	202	229	77
12402	9			383
12403	7			383
12404	4			383
12405	13			383
12406	13			383
12407	13			387
12499	33	46	44	385
125	204	261	305	77
125-6	130	171	193	77
125-8	55			77
125-9	4			77
12551	39	54	51	387
12555	116	158	150	387
127	226	290	345	77
127-6	152	193	218	77
12823	97	130	124	379
12835	78	105	100	379
12836	97	130	124	379
12837	97	130	124	379
12838	141	191	182	379
13133	51	70	67	388
13137	51	70	67	385
13141	51	70	67	386
1400	1,023	1,434	1,726	148
1400-4261	2,276	2,883	3,738	321

NUMERICAL PARTS INDEX

PART	I	II	III	PAGE
1400-4262	2,601	3,399	3,982	150
1400-4263	2,601	3,399	3,982	150
1400-4272	1,998	2,697	3,371	150
1400-4273	1,998	2,697	3,371	150
1400-4282	1,798	2,497	3,171	150
1400-4283	1,798	2,497	3,171	150
1400-5113	1,172	1,415	1,633	32
1400-5143	1,129	1,359	1,568	32
1400-5402	1,449	1,955	2,246	32
1400-5403	1,449	1,955	2,246	32
1400-5412	2,170	2,882	3,365	32
1400-5413	2,170	2,882	3,365	32
1400-5462	1,480	1,998	2,297	33
1400-5463	1,480	1,998	2,297	33
1400L	1,023	1,434	1,726	148
1418-18TSCCL	110	NA	NA	465
15-01	273	355	385	93
15-02	289	373	400	93
15-09	201	261	300	93
15-13	190	247	265	93
15-27	289	340	400	93
15-28	289	373	400	94
1500	1,023	1,434	1,726	138
1500-4262	2,601	3,399	3,982	141
1500-4263	2,601	3,399	3,982	142
1500-4272	1,998	2,697	3,371	142
1500-4273	1,998	2,697	3,371	142
1500-4282	1,798	2,497	3,171	142
1500-4283	1,798	2,497	3,171	142
1500-5103	1,129	1,426	1,646	28
1500-5113	1,129	1,426	1,646	28
1500-5123	1,129	1,426	1,646	28
1500-5143	1,129	1,426	1,646	28
1500-5203	1,058	1,331	1,551	30
1500-5223	1,058	1,331	1,551	30
1500-5402	1,449	1,955	2,246	28
1500-5403	1,449	1,955	2,246	29
1500-5412	2,170	2,882	3,365	28
1500-5413	2,170	2,882	3,365	29
1500-5462	1,480	1,998	2,297	29
1500-5463	1,480	1,998	2,297	29
1500-5721	295	382	437	31
1500-5811	282	382	437	31
1503	923	1,232	1,475	138
1508	987	1,329	1,594	138
1600	1,023	1,406	1,613	221
1600-1200	143	167	228	226
1600-1230	154	185	251	225
1600-1250	159	189	256	225
1600-1500	177	213	291	226
1600-1660	93	113	154	226
1600-2400	259	383	429	226
1600-3942	691	933	1,074	226
1600-4272	1,805	2,300	2,795	223
1600-4282	1,723	2,214	2,683	223
1620	1,023	1,406	1,613	221
1620-4273	1,805	2,300	2,795	223
1620-4283	1,723	2,214	2,683	223
1628	896	1,185	1,376	64
1629	1,936	2,617	3,137	223

PART	I	II	III	PAGE
1668	896	1,185	1,376	64
1740	1,166	1,444	1,731	112
1749	1,980	2,409	2,894	113
1760	1,042	1,430	1,642	302
1760-4272	1,805	2,300	2,795	304
1760-4282	1,723	2,214	2,683	304
1770	1,042	1,430	1,642	302
1770-4273	1,805	2,300	2,795	304
1770-4283	1,723	2,214	2,683	304
1779	1,795	2,399	2,878	305
2-101	97	133	162	379
2-110	190	269	327	382
2-111H	192	269	327	361
2-116	80	109	187	361
2-119B	202	273	260	379
2-136	141	183	195	361
2-144	230	312	358	344
2-162	686	956	1,148	384
2-174	675	775	925	379
2-175	379	532	637	379
2-176	261	369	438	379
2-210	499	641	770	385
2-213	558	751	715	385
2-217	104	146	173	381
2-218	461	642	611	385
2-221	124	167	188	330
2-224	290	408	488	381
2-225	290	408	488	381
2-249A	277	373	415	344
2-250	240	326	373	344
2-260	190	259	311	355
2-261	173	243	231	382
2-262	158	218	208	382
2-268	141	183	195	361
2-271	78	105	100	382
2-273	101	139	132	382
2-279	169	217	235	361
2-285	190	269	327	384
2-297	96	125	144	384
2-332	124	167	188	330
2-334	214	301	287	386
2-337	290	408	488	381
2-338	467	654	788	381
2-353	116	158	150	382
2-354	126	176	168	382
2-400	40	56	53	385
2-436	133	172	185	361
2-437	881	1,191	1,428	388
2-438	456	610	734	381
2-439	456	610	734	381
2-440	343	465	553	381
2-442	135	183	174	382
2-443	159	215	255	382
2-454	456	610	734	381
2-455	456	610	734	381
2-470	225	293	314	361
2-472	371			380
2-496	123	159	183	390
2-500	290	408	488	381
2-503	46	51	57	330

PART	I	II	III	PAGE
2-518	54	69	86	380
2-532	34	43	48	383
2-535	82	110	131	390
2-555	141	188	229	380
2-556	116	159	189	380
2-558	290	408	488	381
2-559	244	330	314	382
2-563	38	51	57	380
2-564	245	326	389	344
2-614	495	610	750	379
2-623	104	131	147	384
2-627	44	59	56	388
2-628	48	63	71	388
2-631	38	51	57	383
2-633	59	79	88	383
2-636	127	169	197	387
2-637	229	310	356	387
2-640	124	167	188	330
2-641	534	722	827	381
2-642	532	715	822	381
2-645	147	190	223	361
2-656	61	86	97	390
2-658	70	95	90	383
2-659	282	383	439	381
2-661	488	660	760	381
2-670	60	81	77	384
2-693	70	95	90	383
2-708	288	389	370	379
2-715	67	92	88	387
2-734	314	406	435	98
2-745	101	137	130	379
2-765	78	105	100	383
2-767	402	475	575	384
2-768	386	563	645	384
2-769	454	662	758	390
2-771	225	303	289	381
2-790	127	171	197	379
2-832	205	277	264	384
2-894	54	69	84	381
2-925	148	201	191	387
2-941	721	977	930	388
2-942	63	87	83	389
2-990	301	407	388	382
2-992	135	183	174	382
2-993	257	348	331	382
2-994	83	112	107	382
2-999	338	460	438	382
20-100	83	112	107	382
20-112	607	822	783	387
20-114	512	691	658	390
20-116	500	676	644	382
20-128	597	805	767	390
20-129	735	992	945	387
20-131	240	334	381	347
20-133	103	139	132	382
20-142	384	519	494	382
20-143	257	348	331	382
20-146	273	368	423	355
20-177	116	158	150	382
20-187	78	105	100	382

NUMERICAL PARTS INDEX

PART	I	II	III	PAGE
20-188	97	130	124	382
20-196	78	105	100	382
20-197	103	139	132	382
20-258	316	442	527	344
20-289	192	269	327	361
20-313	116	158	150	379
20-314	101	131	125	379
20-315	116	158	150	379
20-316	103	139	132	379
20-373	180	231	266	77
20-374	180	231	266	77
20-405	180	231	266	77
20-406	74	101	173	361
20-407	129	175	201	361
20-501	233	316	301	381
20-502	225	302	288	381
20-511	204	275	317	354
20-512	204	275	317	354
20-513	204	275	317	355
20-514	204	275	317	355
200	60	85	105	329
200-1001	112	140	159	329
200-2001	328	431	510	329
200-7102	67	84	101	331
200-7104	67	84	101	331
200-7106	67	84	101	331
200-7108	67	84	101	331
200-7110	67	84	101	331
200-7112	116	156	187	331
200-7118	116	156	187	331
200-7124	148	207	229	331
200-7130	148	207	229	331
200-8102	81	110	126	332
200-8104	81	110	126	332
200-8106	81	110	126	332
200-8108	81	110	126	332
200-8110	81	110	126	332
200-8112	130	175	203	332
200-8118	130	175	203	332
200-8124	163	238	268	332
200-8130	163	238	268	332
2007	933	1,236	1,433	33
2008	933	1,236	1,433	30
201	67	95	113	329
201-1	277	378	415	329
201-1001	415	466	576	329
201-2	306	413	473	329
202	104	135	154	329
202-1	292	368	408	329
2020-1200	152	183	228	269
2020-1230	217	260	324	269
2020-1250	255	306	383	269
2020-1500	242	305	382	270
2020-1570	207	248	311	269
2020-1650	76	90	125	269
2021	134	165	197	329
203	85	110	129	329
2040	1,049	1,404	1,613	258
2040-0442	1,020	1,357	1,626	339
2040-0443	1,020	1,357	1,626	339

PART	I	II	III	PAGE
2040-2400	220	230	282	262
2040-3942	691	933	1,074	263
2040-4261	2,276	2,883	3,738	322
2043	1,092	1,473	1,691	258
2043-1	923	1,232	1,475	258
2049	1,495	2,014	2,311	260
205	117	156	187	329
206	46	51	57	330
206-1	46	51	57	330
206-301	124	167	188	330
206-302	124	167	188	330
2060	1,049	1,404	1,613	258
207	46	51	57	330
208	226	294	338	329
2091	594	802	962	331
2092	831	1,119	1,347	331
211	387	541	648	328
212	301	410	492	328
214	846	1,074	1,290	328
2141	494	620	802	328
2142	494	620	802	328
2143	559	699	909	328
2144	559	699	909	328
215	1,016	1,474	1,741	331
2152	989	1,236	1,604	331
2153	989	1,236	1,604	331
2154	620	772	964	328
2155	257	334	384	328
2156	257	334	384	328
2157	581	757	908	328
2158	581	757	908	328
2159	581	757	908	328
217	159	201	238	343
2170	261	353	405	343
2171	233	314	377	343
2173	261	353	405	343
2174	261	353	405	343
2178	261	353	405	343
22-01	300	392	422	82
22-02	314	408	444	82
22-09	208	262	284	82
22-13	190	247	265	82
22-27	314	408	444	82
22-28	314	408	444	83
220	132	158	185	344
2201	217	301	358	344
230	45	58	70	366
231	89	114	147	366
233-401	279	352	419	325
233-402	279	352	419	325
233-403	279	352	419	325
233-404	279	352	419	325
233-405	279	352	419	325
233-406	279	352	419	325
233-407	279	352	419	325
233-408	279	352	419	325
233-601	317	395	474	326
233-602	317	395	474	326
233-603	317	395	474	326
233-604	317	395	474	326

PART	I	II	III	PAGE
233-605	317	395	474	326
233-606	317	395	474	326
233-607	317	395	474	326
236	55	65	76	366
238	76	89	103	366
2400	978	1,293	1,483	104
2400-2400	259	383	429	110
2400-3942	691	933	1,074	110
2400-4272	1,805	2,300	2,795	106
2400-4273	1,805	2,300	2,795	106
2400-4282	1,723	2,214	2,683	107
2400-4283	1,723	2,214	2,683	107
2403	844	1,143	1,315	246
2410	978	1,293	1,483	104
2413	923	1,244	1,429	246
2419	1,495	2,014	2,311	107
2420	911	1,208	1,388	104
243-401	279	352	419	324
243-403	279	352	419	324
243-404	279	352	419	324
243-405	279	352	419	324
243-406	279	352	419	324
2430	911	1,208	1,388	104
2433	923	1,244	1,429	104
2440	980	1,293	1,483	278
2440-2400	259	383	429	283
2440-3942	691	933	1,074	283
2450	980	1,293	1,483	278
2459	1,495	2,014	2,311	280
2460	960	1,293	1,483	174
2470	960	1,293	1,483	174
2470-5103	1,129	1,426	1,646	41
2470-5203	969	1,237	1,439	42
2470-5223	1,058	1,331	1,551	42
2470-5303	1,016	1,323	1,526	41
2470-5313	1,309	1,702	1,966	41
2470-5432	1,284	1,791	2,149	41
2470-5433	1,284	1,791	2,149	41
2470-5462	1,480	1,998	2,297	41
2470-5463	1,480	1,998	2,297	42
2470-5503	1,067	1,469	1,762	42
2470-5603	653	815	943	42
2470-5613	578	756	836	42
2470-5623	405	504	569	42
2470-5711	146	191	227	42
2470-5721	295	382	437	43
2470-5811	282	382	437	43
2473	939	1,267	1,429	174
2480	949	1,219	1,398	246
2480-2400	206	230	282	250
2480-3942	691	933	1,074	250
2480-4261	2,276	2,883	3,738	322
2489	1,434	1,936	2,224	248
2490	1,003	1,338	1,551	187
2493	894	1,205	1,383	187
2500-5123	1,184	1,426	1,646	57
2500-5223	1,112	1,331	1,551	57
2500-5503	1,396	1,714	1,975	57
2500-5613	688	871	1,007	57
2500-5623	503	641	738	57

NUMERICAL PARTS INDEX

PART	I	II	III	PAGE
2500-5721	295	382	437	58
2510-5103	1,129	1,426	1,646	50
2510-5203	1,058	1,331	1,551	50
2540	1,099	1,422	1,632	205
2540-1230	311	373	465	208
2540-1250	345	416	519	208
2540-1410	235	283	354	208
2540-1500	253	304	380	208
2540-1570	192	231	290	208
2540-1650	112	136	169	208
2540-1660	167	198	247	208
255	246	299	336	367
2550	1,182	1,483	1,579	168
2559	1,434	1,936	2,153	169
2560	1,099	1,422	1,632	265
2560-4261	2,276	2,883	3,738	323
2560C	1,185	1,587	1,893	265
2563	953	1,288	1,477	265
257	540	728	874	366
2570	1,185	1,600	1,829	182
2570-2400	220	331	381	185
2570-3942	691	933	1,074	185
2579	1,450	1,928	2,214	183
260	53	62	72	367
2602	154	185		429
2603	159	189		429
2605	143	167		429
2608	177	213		429
2609	186	220		429
2611	93	103		429
2619T-24	300	360		430
2622-24	276	328		429
2635-24TSCL	85	NA	NA	468
2635T-24	300	360		430
2636-12TTCL	68	NA	NA	468
2636T	225	259		429
2639B	101	124		431
2641	452	519		431
2642	485	554		431
265	61	72	89	367
26550	197	236		430
26551	322	382		430
26552	402	481		430
26554	340	407		430
266	68	83	100	367
267	71	93	114	367
2681	239	281		430
2681-TS	77	NA		430
270	93	114	126	367
2700	43	50	NA	466
272	114	146	177	367
273	152	189	223	367
2739B	146	175		461
274	173	215	252	368
275	100	126	168	368
276	168	215	240	368
277-01	113			325
277-01A	70			324
277-01-E	119			324
277-02	171			326

PART	I	II	III	PAGE
277-02A	85			326
277-02-E	149			326
277-03	119			324
277-04	411	556	638	327
277-06	462	636	711	327
278-01	87			324
278-02	120			326
278A-01	75			324
278A-02	109			326
278P-01	75			324
278P-02	109			326
28XXB	9	NA	NA	469
28XXG	9	NA	NA	469
280	215	290	338	333
280A	552	767	917	335
280D	788	1,021	1,198	337
280E	1,314	1,640	2,129	337
280F	1,314	1,640	2,129	337
280G	856	1,157	1,327	335
280H	856	1,157	1,327	335
280J	856	1,157	1,327	335
280K	856	1,157	1,327	335
280L	1,314	1,640	2,129	337
280M	856	1,157	1,327	335
280N	856	1,157	1,327	335
280P	588	767	917	336
280R	588	767	917	336
280S	1,049	1,418	1,738	337
280T	1,049	1,418	1,738	337
2802	311	373		438
2803	345	416		438
2804	442	530		438
2805	235	283		438
2806L	192	231		438
2806R	192	231		438
2807	205	247		438
2808	253	304		438
2808T	74	83	NA	466
2809	233	281		438
281	215	290	338	333
281-I	482	650	743	333
281A	552	767	917	335
281D	788	1,021	1,198	337
2810	112	122		439
2810D	167	181		439
2810Q	281	308		439
2810T	231	254		439
2819RT-12	419	NA		439
2819RT-24	491	NA		439
283	301	449	554	333
283-101	301	449	554	333
283-102	301	449	554	333
283-2	301	449	554	333
283-201	301	449	554	333
283-3	482	650	743	334
283-4	471	638	734	334
283-5	471	638	734	334
2835T-24	442	530		439
284	181	240	277	340
284I	587	689		441

PART	I	II	III	PAGE
285	86	125	148	340
285-1	120	164	186	340
285-2	120	164	186	340
285-3	120	164	186	340
285-4	120	164	186	340
285-5	120	164	186	340
285-6	120	164	186	341
28500	337	405		439
28501	770	924		440
28502	499	599		439
28505	731	876		440
28504L	738	883		440
28504R	738	883		440
287	146	196	228	341
288	160	210	247	341
2881	570	683		441
2882	675	812		441
290	74			340
291	86	118	143	342
2910	1,189	1,546	1,778	297
2919	1,450	1,884	2,165	298
292	494	628	739	338
2920	1,277	1,885	2,168	272
2930	1,052	1,421	1,631	272
294	670	856	1,037	338
294-I	670	856	1,037	338
2940	995	1,373	1,650	285
2940C	1,143	1,478	1,870	285
2940-5103	1,219	1,472	1,699	55
2940-5123	1,129	1,359	1,568	55
2940-5223	1,140	1,372	1,600	55
2940-5463	1,480	1,998	2,287	55
2940-5503	1,227	1,509	1,740	55
2940-5603	713	864	986	55
2940-5613	628	793	916	56
2940-5623	511	647	746	56
2940-5711	146	191	227	56
2940-5721	295	382	437	56
2940-5811	282	382	437	56
2949	1,801	2,520	2,772	286
295	670	856	1,037	338
295-I	695	888	1,049	338
2950	1,277	1,885	2,168	272
296	159	215	249	341
296-I	159	215	249	341
2960	1,175	1,752	2,039	272
297	159	215	249	341
2970	1,150	1,555	1,776	132
2979	1,408	1,871	2,151	134
2980	1,150	1,555	1,776	132
2990	1,099	1,422	1,632	265
2990C	1,185	1,587	1,893	265
3-1003	798	1,078	1,238	156
3-1003TR	587	789	905	158
3-1003TS	628	834	960	158
3-1004BP	690	895	998	156
3-1004TR	480	624	719	158
3-1006	1,036	1,350	1,559	157
3-1007	1,398	1,818	2,097	157
3-1026	1,199	1,559	1,798	91

NUMERICAL PARTS INDEX

PART	I	II	III	PAGE
3-1027	1,559	2,028	2,336	91
3-1031	697	1,112	1,334	118
3-1032BP	875	1,134	1,309	118
3-1034BP	666	863	998	119
3-1034TR	480	624	719	121
3-1036	1,036	1,350	1,559	120
3-1037	1,398	1,818	2,097	120
3-1096	1,517	1,973	2,277	80
3-1097	1,880	2,441	2,818	80
3-1201	707	989	1,187	213
3-1203TR	587	789	905	216
3-1203TS	628	834	960	216
3-1204BP	666	863	998	214
3-1204TR	480	624	719	217
3-1205	719	933	1,078	214
3-1206	1,036	1,350	1,559	215
3-1207	1,398	1,818	2,097	215
3-1221	707	989	1,187	213
3-1225	719	933	1,078	215
3-1231	916	1,284	1,540	213
3-1236	1,337	1,738	2,007	215
3-1237	1,687	2,193	2,532	215
3-1406L	1,117	1,452	1,679	149
3-1407L	1,504	1,954	2,252	149
3-1501	761	990	1,142	139
3-1502BP	942	1,227	1,415	139
3-1503TR	628	834	960	143
3-1503TS	649	868	996	143
3-1504BP	705	914	1,057	140
3-1504TR	480	624	719	143
3-1505	761	990	1,142	141
3-1603TR	628	834	960	224
3-1604TR	559	727	838	224
3-1605	798	1,036	1,199	222
3-1606	1,199	1,559	1,798	222
3-1607	1,584	2,056	2,372	222
3-1623TR	628	834	960	224
3-1624BP	783	1,016	1,174	221
3-1624TR	559	727	838	224
3-1625	798	1,036	1,199	222
3-1626	1,199	1,559	1,798	222
3-1627	1,584	2,056	2,372	222
3-163	210	293	353	100
3-163B	210	293	353	100
3-1663TR	587	789	905	113
3-1744TR	559	721	838	113
3-1746	1,440	1,870	2,158	112
3-1747	1,798	2,338	2,695	112
3-1761	798	1,036	1,199	302
3-1763TR	597	789	905	305
3-1764TR	638	831	960	305
3-1765	798	1,036	1,199	303
3-1766	1,199	1,559	1,798	303
3-1767	1,559	2,028	2,336	303
3-1771	798	1,036	1,199	302
3-1775	798	1,036	1,199	303
3-1776	1,199	1,559	1,798	303
3-1777	1,559	2,028	2,336	304
3-178	534	750	902	383
3-188H	336	471	566	92

PART	I	II	III	PAGE
3-192	896	1,065	1,278	98
3-196	637	888	1,066	98
3-202	216	303	363	254
3-2023TR	628	834	960	248
3-2023TS	649	868	996	260
3-2041	798	1,078	1,237	258
3-2044BP	1,002	1,295	1,499	252
3-2044TS	719	933	1,078	261
3-2045	798	1,036	1,199	259
3-2046	1,079	1,404	1,620	259
3-2047	1,441	1,871	2,159	260
3-2061	798	1,078	1,237	258
3-2063TS	649	868	996	260
3-2064TS	719	933	1,078	261
3-225	466	652	781	385
3-226	612	855	1,029	98
3-227	239	336	403	144
3-227LH	239	336	403	349
3-230	210	293	353	349
3-230B	210	293	353	349
3-233	532	742	895	386
3-234	227	301	347	344
3-236	725	1,016	1,217	384
3-2401	761	1,025	1,176	105
3-2403TR	628	834	960	107
3-2404BP	947	1,244	1,440	105
3-2404TR	702	912	1,055	108
3-2405	761	990	1,142	106
3-241	210	293	353	349
3-241B	210	293	353	349
3-241I	761	1,025	1,176	105
3-2412BP	1,214	1,575	1,818	105
3-2413TR	628	834	960	107
3-2414BP	947	1,244	1,440	105
3-2414TR	702	912	1,055	108
3-2415	761	990	1,142	106
3-2416	1,036	1,350	1,559	106
3-2417	1,398	1,817	2,097	106
3-2441	761	1,025	1,176	278
3-2445	761	990	1,142	279
3-245	210	293	353	349
3-2451	761	1,025	1,176	278
3-2454BP	960	1,244	1,440	279
3-2455	761	990	1,142	279
3-2456	1,036	1,350	1,559	279
3-2457	1,398	1,817	2,097	279
3-246	792	1,069	1,018	379
3-2461	761	1,025	1,176	174
3-2465	761	990	1,142	175
3-2471	761	1,025	1,176	174
3-2475	761	990	1,142	176
3-2476	1,036	1,350	1,559	176
3-2477	1,398	1,817	2,097	176
3-248	354	494	593	350
3-2481	692	932	1,069	246
3-2484BP	882	1,190	1,369	359
3-2484TR	769	1,035	1,188	248
3-2485	692	932	1,069	247
3-2486	1,002	1,347	1,546	247
3-2487	1,361	1,833	2,103	247

PART	I	II	III	PAGE
3-249	641	897	1,046	384
3-2491	770	1,036	1,190	187
3-2494BP	961	1,263	1,485	246
3-2495	846	1,140	1,309	188
3-2496	1,077	1,452	1,671	188
3-2497	1,423	1,922	2,206	188
3-2541	922	1,243	1,427	205
3-2544BP	1,244	1,683	1,934	205
3-2544TS	719	967	1,078	207
3-2545	922	1,243	1,427	206
3-2546	1,305	1,914	2,264	206
3-2547	1,936	2,923	3,485	206
3-255	239	336	403	350
3-2551	860	1,162	1,292	168
3-2552BP	1,530	2,066	2,297	168
3-2554BP	1,162	1,571	1,743	169
3-2554TR	719	967	1,078	170
3-2555	860	1,162	1,292	169
3-2556	1,568	2,114	2,350	169
3-2557	2,533	3,419	3,797	169
3-2561	922	1,243	1,427	265
3-2565	922	1,241	1,427	266
3-2564BP	1,244	1,683	1,934	266
3-2566	1,305	1,914	2,264	267
3-2567	1,936	2,923	3,485	267
3-2573TS	713	927	1,066	183
3-2574BP	1,209	1,634	1,877	182
3-2574TS	753	980	1,126	183
3-2575	895	1,208	1,387	182
3-2576	1,267	1,647	1,895	183
3-2577	1,880	2,441	2,806	183
3-260	924	1,250	1,500	383
3-274	585	742	895	386
3-275	473	672	760	386
3-279	256	357	429	350
3-279L	256	357	429	350
3-289	394	530	638	350
3-2913TR	734	927	1,066	298
3-2914TR	753	980	1,126	298
3-2915	895	1,161	1,337	297
3-2916	1,272	1,647	1,895	297
3-2917	1,874	2,441	2,806	298
3-2921	964	1,300	1,498	272
3-2922BP	1,140	1,537	1,769	272
3-2923TR	817	1,101	1,266	273
3-2924BP	857	1,159	1,334	273
3-2924TR	876	1,161	1,319	274
3-2925	917	1,238	1,423	273
3-2941	834	1,213	1,468	285
3-2943TR	754	866	1,038	286
3-2944TR	654	788	876	286
3-2945	832	1,163	1,349	286
3-2946	1,240	1,736	1,993	286
3-2947	1,650	2,184	2,573	286
3-295	462	624	714	390
3-296	863	1,168	1,112	390
3-297	410	554	636	390
3-2971	936	1,830	2,103	132
3-2973TR	819	1,094	1,257	134
3-2974BP	1,160	1,560	1,802	133

NUMERICAL PARTS INDEX

PART	I	II	III	PAGE
3-2974TR	887	1,154	1,305	134
3-2975	889	1,202	1,381	133
3-2976	1,327	1,791	2,061	133
3-2977	1,824	2,371	2,739	133
3-2981	936	1,830	2,103	132
3-2983TR	819	1,094	1,257	134
3-2984TR	887	1,154	1,305	134
3-2985	889	1,202	1,381	133
3-2991	922	1,243	1,427	266
3-3101	739	905	1,038	240
3-3102BP	1,138	1,477	1,700	241
3-3103TR	649	868	996	242
3-3104BP	883	1,149	1,321	241
3-3105	712	925	1,064	241
3-3106	1,010	1,315	1,509	241
3-3107	1,344	1,745	2,009	241
3-3121	739	905	1,038	193
3-3124BP	883	1,149	1,321	193
3-3125	712	925	1,064	194
3-3126	1,010	1,315	1,509	194
3-3127	1,344	1,745	2,009	194
3-3143TS	819	1,094	1,257	200
3-3144BP	1,160	1,560	1,802	199
3-3144TS	887	1,154	1,305	201
3-3145	889	1,202	1,381	200
3-3146	1,327	1,791	2,061	200
3-3147	1,764	2,382	2,739	200
3-3153TS	819	1,094	1,257	200
3-3154TS	887	1,154	1,305	201
3-322	246	334	400	350
3-323	246	334	400	350
3-3231	855	1,196	1,494	234
3-3233TR	827	1,159	1,335	236
3-3234TR	775	1,044	1,298	236
3-3235	898	1,257	1,457	235
3-3236	1,339	1,874	2,153	235
3-3237	1,782	2,358	2,778	235
3-3241	855	1,196	1,494	234
3-3243TR	827	1,159	1,335	236
3-3244TR	775	1,044	1,298	237
3-3245	898	1,257	1,457	235
3-3246	1,339	1,874	2,153	235
3-3247	1,782	2,358	2,778	236
3-3251	855	1,196	1,494	126
3-3253TR	827	1,159	1,335	128
3-3254TR	775	1,044	1,298	128
3-3255	898	1,257	1,457	127
3-3256	1,339	1,874	2,153	127
3-3257	1,782	2,358	2,778	127
3-3261	855	1,196	1,494	126
3-3263TR	827	1,159	1,335	128
3-3264TR	775	1,044	1,298	129
3-3265	898	1,257	1,457	127
3-3266	1,339	1,874	2,153	127
3-3267	1,782	2,358	2,778	128
3-327	423	570	652	389
3-3271	855	1,196	1,494	162
3-3273TR	827	1,159	1,335	164
3-3274TR	775	1,044	1,298	164
3-3275	898	1,257	1,457	163

PART	I	II	III	PAGE
3-3276	1,339	1,874	2,153	163
3-3277	1,782	2,358	2,778	163
3-328	246	334	381	345
3-3281	855	1,196	1,494	162
3-3283TR	827	1,159	1,335	164
3-3284TR	775	1,044	1,298	165
3-3285	898	1,257	1,457	163
3-3286	1,339	1,874	2,153	163
3-3287	1,782	2,358	2,778	164
3-3291	855	1,196	1,494	228
3-3293TR	827	1,159	1,335	230
3-3294TR	775	1,044	1,298	231
3-3295	898	1,257	1,457	229
3-3296	1,339	1,874	2,153	229
3-3297	1,782	2,358	2,778	230
3-3301	855	1,196	1,494	228
3-3303TR	827	1,159	1,335	230
3-3304TR	775	1,044	1,298	231
3-3305	898	1,257	1,457	229
3-3306	1,339	1,874	2,153	230
3-3307	1,782	2,358	2,778	230
3-3321	792	1,108	1,384	291
3-3323TR	649	835	1,038	292
3-3324TR	549	683	771	293
3-3325	666	864	999	292
3-3326	960	1,251	1,444	292
3-3327	1,294	1,683	1,941	292
3-3331	792	1,108	1,384	291
3-3333TR	649	835	1,038	293
3-3334TR	549	683	771	293
3-3335	666	864	999	292
3-3336	960	1,251	1,444	292
3-340	642	863	1,035	388
3-342	704	951	906	383
3-343	210	293	353	100
3-344	397	556	666	389
3-345	520	650	775	384
3-346	369	516	615	384
3-347	455	625	750	384
3-348	455	565	625	383
3-356	641	897	1,073	384
3-360	369	515	616	385
3-366	641	864	823	379
3-368	237	311	358	351
3-370	580	752	866	389
3-373	237	311	358	351
3-374	237	311	358	351
3-378	237	311	358	351
3-379	237	311	358	351
3-380	200	268	312	384
3-381	209	289	314	387
3-383	246	334	381	345
3-384	469	637	731	384
3-385	555	750	714	390
3-386	478	648	617	387
3-387	237	321	369	390
3-401	328	442	421	389
3-402	480	648	617	387
3-403	547	739	704	387
3-406	240	326	310	387

PART	I	II	III	PAGE
3-407	246	334	381	345
3-415	110	147	168	379
3-416	158	212	244	379
3-417	142	186	212	379
3-418	338	460	438	389
3-419	246	334	381	345
3-420	524	708	674	389
3-427	303	412	470	345
3-432	854	1,154	1,324	386
3-433	891	1,202	1,202	386
3-434	600	810	930	389
3-435	329	468	501	387
3-436	604	817	936	388
3-443	225	303	289	379
3-447	384	500	579	351
3-463	307	415	395	379
3-480	198	268	255	379
3-539	597	805	767	388
3-549	238	324	368	351
3-561	264	355	408	351
3-570	294	389	443	352
3-571	198	268	255	379
3-573	228	308	355	352
3-574	373	502	478	385
3-575	228	308	355	352
3-577	237	311	358	352
3-578	353	476	453	385
3-579	431	579	551	387
3-580	263	337	389	352
3-581	263	337	389	352
3-582	845	1,141	1,087	387
3-583	342	446	512	345
3-590	288	389	370	379
3-592	211	287	273	379
3-593	230	312	381	352
3-594	228	308	355	352
3-595	210	293	353	353
3-597	263	354	337	379
3-608	228	308	356	353
3-609	246	334	381	353
3-611	564	761	725	387
3-612	320	434	413	389
3-613	257	348	331	390
3-614	303	412	470	345
3-615	303	412	470	345
3-632	415	561	534	388
3-633	415	561	534	385
3-634	415	561	534	386
3-635	466	630	600	388
3-636	466	630	600	385
3-637	466	630	600	386
3-638	374	505	481	388
3-639	374	505	481	385
3-640	374	505	481	386
3-641	363	491	564	346
3-642	363	491	564	346
3-643	363	491	564	346
3-644	241	338	421	353
3-645	241	338	421	353
3-646	241	338	421	353

NUMERICAL PARTS INDEX

PART	I	II	III	PAGE
3-647	241	338	421	353
3-648	241	338	421	353
3-649	241	338	421	354
3-667	314	394	425	346
3-668	246	334	381	346
3-669	246	334	381	346
3-671	267	402	479	341
3-672	267	402	479	341
3-691	363	491	468	388
3-692	241	338	421	354
3-693	241	338	421	354
3-694	374	505	481	388
3-695	291	393	452	346
3-696	466	630	600	388
3-721	213	298	373	354
3-722	213	298	373	354
3-724	300	384	426	346
3-727	213	298	373	354
3-729	300	384	426	347
3-744	466	652	621	386
3-803TR	587	789	905	253
3-804TR	480	624	719	254
3-855	761	990	1,142	252
3-856C	960	1,279	1,440	253
3-857C	1,319	1,718	1,975	253
3-873TR	587	789	905	81
3-874TR	503	653	754	81
3-896	1,036	1,350	1,559	85
3-897	1,398	1,818	2,097	85
3-911	707	989	1,187	96
3-912BP	875	1,134	1,309	96
3-913TR	587	789	905	99
3-913TS	628	834	960	99
3-914BP	666	863	998	96
3-914TR	480	624	719	99
3-915	761	990	1,142	97
3-916	1,036	1,350	1,559	97
3-917	1,398	1,818	2,097	97
3-921	707	989	1,187	96
3-922BP	875	1,134	1,309	96
3-923TR	587	789	905	99
3-923TS	628	834	960	99
3-924BP	666	863	998	97
3-924TR	480	624	719	100
3-925	761	990	1,142	97
3-926	1,036	1,350	1,559	97
3-927	1,398	1,818	2,097	98
3-930I	697	1,112	1,334	118
3-930IL	697	1,112	1,334	118
3-936	1,036	1,350	1,559	119
3-937	1,398	1,818	2,097	120
3-944	697	1,112	1,334	118
3-944L	697	1,112	1,334	118
3-947	798	1,078	1,238	156
3-984BP	783	1,016	1,176	90
3-985	719	933	1,078	91
3-991	761	990	1,142	138
3-991L	761	990	1,142	139
3-992BP	942	1,227	1,415	139
3-993TR	628	834	960	142

PART	I	II	III	PAGE
3-993TS	649	868	996	143
3-994BP	705	914	1,057	139
3-994LBP	705	914	1,057	140
3-994LTR	480	624	719	143
3-994TR	480	624	719	143
3-995	761	990	1,142	140
3-995L	761	990	1,142	140
3-996	1,117	1,452	1,679	141
3-996L	1,117	1,452	1,679	141
3-997	1,504	1,954	2,252	141
3-997L	1,504	1,954	2,252	141
30XX	6	NA	NA	467
300	186	242	261	368
3001	171	205		413
3002	186	220		413
3003	198	233		413
3005	154	186		414
3006	118	140		413
3008	198	233		413
301	160	208	240	368
301-2	336	462	524	368
3010	95	105		413
3011T	140	153		413
3013	226	281	324	368
3013-1	314	391	446	368
3014	208	261	303	368
3014-1	314	391	446	368
3016	369	517	583	368
3018-24TSCL	113	NA	NA	467
3018T-24	257	308		414
3022-24	306	367		413
30225	34	48	56	390
3027	279	332		413
3027G	77	NA	NA	467
30358	39	54	51	389
3041	679	767		414
3100	1,052	1,421	1,631	240
3103	894	1,205	1,383	240
3109	1,437	1,867	2,147	242
3110	942	1,276	1,517	240
3120	1,052	1,421	1,631	193
3130	942	1,276	1,517	193
314	54	66	77	369
3140	1,171	1,581	1,788	199
3150	1,171	1,581	1,788	199
3160-5103	1,242	1,499	1,730	59
3160-5203	1,161	1,398	1,629	59
3160-5503	1,227	1,509	1,740	59
3160-5603	713	864	986	59
3160-5613	628	793	916	59
3160-5623	511	647	746	59
3160-5721	295	382	437	60
3160-5811	282	382	437	60
3170-5103	1,242	1,499	1,730	22
3170-5203	1,161	1,398	1,629	22
3170-5503	1,227	1,509	1,740	22
3170-5603	713	864	986	22
3170-5613	628	793	916	22
3170-5623	511	647	746	22
3170-5721	295	382	437	23

PART	I	II	III	PAGE
3170-5811	282	382	437	23
3180-5113	1,242	1,499	1,730	51
3180-5223	1,161	1,398	1,629	51
3180-5503	1,227	1,509	1,740	51
3180-5603	713	864	986	51
3180-5613	628	793	916	51
3180-5623	511	647	746	51
3180-5711	146	191	227	52
3180-5721	295	382	437	52
3190-5113	1,242	1,499	1,730	39
3190-5223	1,161	1,398	1,629	39
3190-5503	1,227	1,509	1,740	39
3190-5603	713	864	986	39
3190-5613	628	793	916	39
3190-5623	511	647	746	39
3190-5721	295	382	437	40
3190-5811	282	382	437	40
3200-5113	1,242	1,499	1,730	44
3200-5223	1,161	1,398	1,629	44
3200-5503	1,227	1,509	1,740	44
3200-5603	713	864	986	44
3200-5613	628	793	916	44
3200-5623	511	647	746	44
3200-5721	295	382	437	45
3200-5811	282	382	437	45
321	116	160	176	369
3210-5103	1,242	1,499	1,730	37
3210-5203	1,161	1,398	1,629	37
3210-5503	1,227	1,509	1,740	37
3210-5603	713	864	986	37
3210-5613	628	793	916	37
3210-5623	511	647	746	37
3210-5721	295	382	437	38
3210-5811	282	382	437	38
3211	116	160	176	369
3212	183	221	253	369
3213	183	221	253	369
3230	1,132	1,584	1,867	234
3230-1230	298	357	447	238
3230-1250	331	400	499	238
3230-1410	227	273	340	238
3230-1510	225	271	305	238
3230-1530	309	374	436	238
3230-1650	185	250	313	238
3230-1660	210	276	337	238
3239	1,945	2,721	2,994	236
324	227	303	347	369
3240	1,132	1,584	1,867	234
3249	1,945	2,721	2,994	236
325	158	215	245	369
3250	1,153	1,584	1,867	126
3250-1230	298	357	447	130
3250-1250	331	400	499	130
3250-1410	227	273	340	130
3250-1510	225	271	305	130
3250-1530	309	374	436	130
3250-1650	185	250	313	130
3250-1660	210	276	337	130
3251	53			369
3259	1,945	2,721	2,994	128

NUMERICAL PARTS INDEX

PART	I	II	III	PAGE
326	218	284	327	369
3260	1,153	1,584	1,867	126
3269	1,945	2,721	2,994	128
327	91	109	121	370
3270	1,132	1,584	1,867	162
3270-1230	298	357	447	166
3270-1250	331	400	499	166
3270-1410	227	273	340	166
3270-1510	225	271	305	166
3270-1530	309	374	436	166
3270-1650	185	250	313	166
3270-1660	210	276	337	166
3279	1,945	2,721	2,994	164
328	105	132	146	370
3280	1,132	1,584	1,867	162
3289	1,945	2,721	2,994	164
3290	1,132	1,584	1,867	228
3290-1230	298	357	447	232
3290-1250	331	400	499	232
3290-1400	321	384	458	232
3290-1500	262	316	375	232
3290-1570	222	262	312	233
3290-1650	110	133	166	232
3290-1660	163	193	242	232
3290-5113	1,219	1,472	1,699	48
3290-5143	1,129	1,359	1,568	48
3290-5223	1,161	1,398	1,629	49
3290-5413	2,098	2,638	3,138	48
3290-5463	1,480	1,998	2,297	48
3290-5503	1,227	1,509	1,740	49
3290-5603	713	864	986	49
3290-5613	628	793	916	49
3290-5623	511	647	746	49
3290-5811	282	382	437	49
3299	1,945	2,721	2,994	230
330	144	201	231	369
3300	1,132	1,584	1,867	228
3301	158	215	245	369
3302	193	234	265	369
3303	193	234	265	369
3309	1,945	2,721	2,994	230
3310-5103	1,242	1,499	1,730	53
3310-5203	1,161	1,398	1,629	53
3310-5503	1,227	1,509	1,740	53
3310-5603	713	864	986	53
3310-5613	628	793	916	53
3310-5623	511	647	746	53
3310-5721	295	382	437	54
3320	943	1,320	1,650	290
3320C	1,038	1,452	1,814	290
3329	1,467	2,053	2,465	292
3330	943	1,320	1,650	290
3330C	1,038	1,452	1,814	290
3360	1,132	1,584	1,867	228
3360-5113	1,219	1,472	1,699	48
3360-5413	2,098	2,638	3,138	48
3370	1,132	1,584	1,867	228
3380	943	1,320	1,650	290
3390	943	1,320	1,650	290
34-01	285	373	413	109

PART	I	II	III	PAGE
34-02	304	377	419	109
34-09	208	268	304	109
34-12	155	202	236	109
34-13	183	236	268	110
34-27	187	233	269	110
34-28	268	340	391	110
3400	1,052	1,421	1,631	291
3410	1,052	1,421	1,631	291
35-01	285	373	413	282
35-02	304	377	419	282
35-09	208	268	304	283
35-12	155	202	236	283
35-13	183	236	268	283
35-27	187	237	274	283
35-28	268	340	391	283
36-01	221	265	314	249
36-02	261	312	373	249
36-09	308	369	440	249
36-12	84	104	129	249
36-13	156	181	223	250
36-27	214	252	300	250
36-28	248	311	353	250
3681-G-O	134	172		454
3681-LB	36	43	NA	467
3681-RB	36	42	NA	467
37-02	286	339	466	262
37-09	258	306	401	262
37-12	109	141	169	262
37-28	262	316	390	262
38-02	284	342	452	171
38-09	205	246	273	171
38-12	248	294	329	171
38-27	385	461	509	172
38-28	276	329	401	172
4-1004BP	359	468	542	157
4-1034BP	359	468	542	119
4-1094BP	719	933	1,078	80
4-1204BP	359	468	542	214
4-1224BP	359	468	542	214
4-1234BP	678	882	1,019	214
4-1504BP	400	519	597	140
4-1604BP	480	624	719	221
4-1624BP	480	624	719	222
4-1744BP	638	831	947	112
4-1764BP	480	624	719	303
4-1774BP	480	624	719	303
4-2044BP	520	676	782	259
4-2064BP	520	676	782	259
4-2404BP	455	594	683	105
4-2414BP	455	594	683	106
4-2444BP	455	594	683	279
4-2454BP	455	594	683	279
4-2494BP	500	675	775	187
4-2544BP	707	920	1,062	205
4-2554BP	707	920	1,062	169
4-2574BP	686	894	1,031	182
4-2914BP	502	654	753	297
4-2924BP	501	678	779	273
4-2944BP	438	539	607	285
4-2974BP	751	979	1,129	133

PART	I	II	III	PAGE
4-2984BP	751	979	1,129	133
4-3104BP	513	668	768	241
4-3144BP	667	867	1,002	199
4-3154BP	667	867	1,002	200
4-3234BP	674	942	1,076	235
4-3244BP	674	942	1,076	235
4-3254BP	674	942	1,076	127
4-3264BP	674	942	1,076	127
4-3274BP	674	942	1,076	163
4-3284BP	674	942	1,076	163
4-3294BP	674	942	1,076	229
4-3304BP	674	942	1,076	229
4-3324BP	438	539	607	291
4-3334BP	438	539	607	291
4-854BP	318	413	480	252
4-914BP	359	468	542	96
4-924BP	359	468	542	97
4-984BP	480	624	719	90
4-994BP	400	519	597	140
4-994LBP	400	519	597	140
40-02	250	299	398	299
40-10	204	246	317	299
40-13	233	289	362	299
40-28	233	282	370	300
401	91	109	121	370
401X	116	153	173	370
403	109	131	152	370
403-1	220	299	341	370
403-3	269	329	366	371
403X	130	173	191	370
403X-1	275	325	366	371
403X-2	226	307	350	371
404X	116	153	173	370
40409	192	192		453
41-02	279	335	439	184
41-09	231	279	367	184
41-12	124	152	192	185
41-27	217	260	305	185
41-28	262	316	369	185
412	105	132	142	371
416	138	171	205	371
416X	171	231	258	371
417	138	182	207	371
417X	182	248	284	371
42-01	323	386	418	135
42-02	341	408	437	135
42-09	233	293	314	136
42-12	135	159	199	136
42-13	166	203	230	136
42-27	236	284	323	136
42-28	278	337	395	136
432	61	72	84	372
435	50	66	76	372
436	54	76	81	372
440	35	42	45	372
441	36	44	50	372
442	36	44	50	372
448	65	83	92	372
45XX	19	NA		465
450	55	65	69	372

NUMERICAL PARTS INDEX

PART	I	II	III	PAGE
4502	258	308		402
4503	284	342		402
4504	290	347		402
4505	205	246		402
4508N	276	329		402
4509	385	461		402
451	55	65	69	373
4511	248	269		402
4521	205	246		402
4522S	353	422		402
4527	353	422		402
4528	422	508		402
4534T-18	306	366		403
4534T-24	330	394		403
4539B	146	175		404
4540-20	643	772		403
4542	665	798		404
4543-20	775	931		403
4543-24	852	1,024		403
4544	710	852		404
455	55	65	69	373
4581	681	819		403
4581-I	651	778		403
4581-G-E	186	195		403
4602	221	265		421
4603	261	312		421
4605	308	369		421
4606	214	252		421
4607	199	237		421
4608	248	311		421
4609	223	281		421
4610	84	95		421
4610D	156	165		421
4610T	221	254		421
4619T-12	408	511		422
4619T-24	439	527		422
4622-24	389	469		421
4627	327	409		421
4634T	300	363		422
4639B	91	110		424
464B	128	155		422
4641N	412			407
4681	466	561		423
4681L	483	580		423
4682	532	638		423
4682L	549	662		423
4702	250	299		400
4703	286	339		400
4705-8	258	306		400
4708N	262	316		400
4710	109	129		400
4722-24	439	519		400
4734T-24	303	364		400
4741	810	966		401
4772	527	725		377
4774	208	285		377
4775	197	281		377
4781	459	529		401
4802	233	289		408
4803	250	299		408

PART	I	II	III	PAGE
4808	233	282		408
4811	233	264		408
4817	263	290		408
482	154	195	226	373
482-1	274	376	433	373
482-3	323	443	510	373
482X	182	248	279	373
482X-1	292	395	450	373
482X-2	292	395	450	373
4821	204	246		408
4827	269	324		408
4839B	146	175		409
490X	366	515	583	374
4902	247	296		394
4903	279	335		394
4905	231	279		394
4906	217	260		394
4908	262	316		394
491	281	391	407	374
491X	361	512	583	374
4910	124	139		394
4917	263	290		394
493	292	439	488	374
493-1	519	717	823	374
493X	329	462	536	374
493X-1	545	732	851	375
4934T-24	296	356		394
495	149	193	247	374
495X	171	248	289	374
499	127	182	194	369
499-1	127	182	194	369
499-2	224	301	343	369
499-3	224	301	343	369
5XXC	6	9	NA	468
5XXF	5	6	NA	468
5XXR	2	NA	NA	468
5-011	37			383
5-036	641			74
5-1002BP	450	586	677	156
5-1032BP	450	586	677	119
5-1092BP	810	1,053	1,215	80
5-1202BP	450	586	677	213
5-1222BP	450	586	677	214
5-1232BP	771	1,004	1,156	214
5-1502BP	492	638	736	139
5-1602BP	569	741	855	221
5-1622BP	569	741	855	221
5-1742BP	731	950	1,095	112
5-1762BP	569	741	855	302
5-1772BP	569	741	855	302
5-2042BP	611	794	916	259
5-2062BP	611	794	916	259
5-2402BP	547	712	821	105
5-2412BP	547	712	821	105
5-2442BP	547	712	821	278
5-2452BP	547	712	821	278
5-2492BP	593	770	887	187
5-2542BP	797	1,037	1,197	205
5-2552BP	797	1,037	1,197	168
5-2572BP	774	1,008	1,161	182

PART	I	II	III	PAGE
5-2912BP	593	771	885	297
5-2922BP	597	806	930	273
5-2942BP	522	543	627	285
5-2972BP	774	1,008	1,161	132
5-2982BP	774	1,008	1,161	132
5-3102BP	602	784	902	241
5-3142BP	751	979	1,129	199
5-3152BP	751	979	1,129	199
5-3232BP	759	1,062	1,191	234
5-3242BP	759	1,062	1,191	234
5-3252BP	759	1,062	1,191	126
5-3262BP	759	1,062	1,191	126
5-3272BP	759	1,062	1,191	162
5-3282BP	759	1,062	1,191	162
5-3292BP	759	1,062	1,191	229
5-3302BP	759	1,062	1,191	229
5-3322BP	522	543	627	291
5-3332BP	522	543	627	291
5-852BP	410	532	613	252
5-912BP	450	586	677	96
5-922BP	450	586	677	96
5-982BP	569	741	855	90
5-992BP	492	638	736	139
5-992LBP	492	638	736	139
500	99	155	179	361
501	184	252		445
503	293	414		445
503L	329	423		445
504L	357	432		443
505L	357	432		444
50648	180			379
5080	140	206	230	88
5080SQ	181	215	250	250
5081	166	233	293	88
5081SQ	221	297	350	250
5082	187	260	285	88
5082SQ	244	299	365	250
5083	224	301	347	88
5083SQ	283	340	402	250
5085	330	410	485	88
5085SQ	369	462	533	250
50931	27			77
516-10	141	188	228	332
516-12	200	271	322	332
516-18	200	271	322	332
516-2	141	188	228	332
516-24	247	335	404	332
516-30	247	335	404	332
516-36	311	419	501	332
516-4	141	188	228	332
516-42	311	419	501	332
516-6	141	188	228	332
516-8	141	188	228	332
517-10	128	170	204	332
517-12	172	235	279	332
517-18	172	235	279	332
517-2	128	170	204	332
517-24	212	284	341	332
517-30	212	284	341	332
517-36	261	355	425	332

NUMERICAL PARTS INDEX

PART	I	II	III	PAGE
517-4	128	170	204	332
517-42	261	355	425	332
517-6	128	170	204	332
517-8	128	170	204	332
5202	217	260		426
5203	255	306		426
5205	152	183		426
5206	207	248		426
5208	242	305		426
5210	76	82		426
5210T	206	227		426
5217	253	278		426
5227	313	393		426
5234T-24	289	355		426
5239B	146	175		428
524B	124	148		427
5302	214	255		405
5303	251	300		405
5305	296	357		405
5306	204	244		405
5308	237	299		405
5309	216	269		405
5310	74	81		405
5310D	151	158		405
5327	313	393		405
5381	447	539		406
5402	285	373		415
5403	304	377		415
5405	208	268		415
5406	187	233		415
5408	268	340		415
5410	155	185		415
5411	183	215		415
5434T-18	306	368		416
5439B	146	175		417
544B	137	164		416
5442	663	746		417
55CC	9	11	NA	467
550G	81	98		419
551DG	113	139		419
551G	102	124		419
552G	195	233		419
553DG	101	119		419
553G	99	115		419
554DG	155	184		419
554G	135	160		419
5602	285	373		432
5603	304	377		432
5605	208	268		432
5606	187	237		432
5608	268	340		432
5610	155	185		432
5611	183	215		432
5635T-18	477	570		433
5639B	146	175		434
564B	137	164		433
5642	663	777		434
599	45	66		446
6XXA	11	NA	NA	466
6XXB	9	NA	NA	465

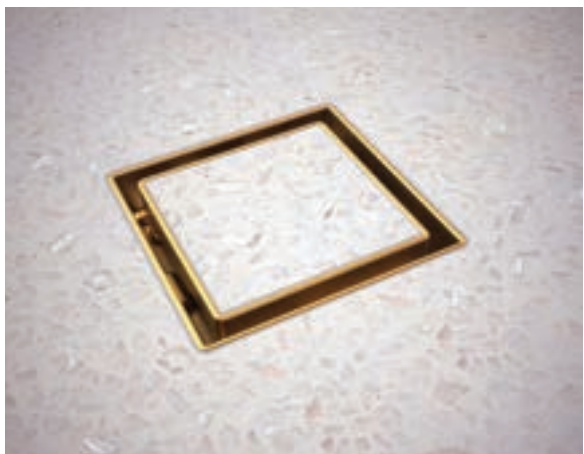
PART	I	II	III	PAGE
6-027	184	216	228	68
6-028	184	216	228	68
6-505	115	139	155	361
600A	49	68	NA	466
600B	38	45	NA	466
602	213	255		410
603	220	262		410
604	250	299		220
608	255	306		410
609	197	235		410
610	104	111		410
611	125	139		410
621	184	221		410
635T-24	499	599		411
642	774	931		412
682-G-SO	132	132		454
682SO	435	521		454
7-752	46	54	NA	468
8-006	474	569	618	381
8-011	545	644	699	381
8-028	680	818	883	389
8-030	393	482	527	266
8-032	474	569	618	381
8-033	474	569	618	381
8-036	195	233	253	388
8-037	1,046	1,256	1,359	388
8-039	407	548	630	387
8-061	775	898	950	386
8-072	95	125	142	386
8-074	479	576	623	386
8-080	141	191	182	386
8-092	347	469	447	381
8-096	347	469	447	381
8-1.2CPZ	1	NA		465
8-176	34	48	56	383
80030	166	200	215	388
80158	46	61	69	386
808	621	751	876	63
8081	943	1,248	1,450	50
850	878	1,232	1,474	252
850C	878	1,232	1,474	252
890	926	1,252	1,507	84
890-1230	208	253	304	87
890-1250	227	269	324	87
890-1400	192	230	277	87
890-1410	154	185	222	87
890-1500	204	248	297	88
890-1510	192	230	277	88
890-1650	68	83	99	88
890-1660	138	166	199	88
910	860	1,206	1,447	95
910C	995	1,295	1,490	95
910-4273	1,805	2,300	2,795	98
910-4283	1,723	2,214	2,683	98
91082	3			383
91158	3			387
91165	1			465
91231	3			385
91255	3			384
91298	3			390

PART	I	II	III	PAGE
91321	4			379
91362	3			387
91365	3			384
91386	3			384
91460	1			465
91500	2			385
91534	3			379
91544	35			379
91568	3			379
91571	3			385
91661	3			387
920	860	1,206	1,447	95
920C	995	1,295	1,490	95
920-2400	160	218	274	102
920-3942	599	781	944	102
920-4272	1,805	2,300	2,795	98
920-4282	1,723	2,214	2,683	98
92006	1			388
9203	1,023	1,391	1,597	95
92031	1			465
92035	3			379
92075	26	35	33	381
9208	1,117	1,500	1,724	95
92090	4			389
92113	3			382
92141	3			384
92206	3			382
92223	3			380
92231	3			380
92245	3			380
92297	7			379
92308	2	NA	NA	465
92422	1			388
92426	1	NA	NA	469
92437	5	NA	NA	465
92495	1	NA	NA	465
92539	3			380
928	896	1,185	1,376	26
9281	896	1,185	1,376	26
929	1,585	2,217	2,662	99
930	878	1,251	1,505	117
930B	1,023	1,466	1,714	117
930L	878	1,251	1,505	117
930-0442	1,020	1,357	1,626	339
930-0443	1,020	1,357	1,626	339
930-4261	2,276	2,883	3,738	321
932	878	1,251	1,505	117
933	1,515	2,121	2,543	120
934	1,444	2,018	2,424	120
938	943	1,248	1,450	26
940	1,263	1,324	1,589	50
941	1,597	1,673	2,003	50
942	923	1,290	1,550	24
943	1,284	1,791	2,149	24
945	994	1,392	1,674	35
945-1	1,805	2,126	2,552	35
9451	1,049	1,457	1,748	35
9451-1	1,805	2,126	2,552	36
9452-1	1,805	2,126	2,552	24
9453-1	1,805	2,126	2,552	25

NUMERICAL PARTS INDEX

PART	I	II	III	PAGE
9455	1,318	1,778	2,042	35
9456	1,973	2,621	3,061	35
9457	1,318	1,778	2,042	25
9458	1,973	2,621	3,061	25
9459	1,973	2,621	3,061	25
946	1,284	1,791	2,149	35
9460	1,973	2,621	3,061	25
9461	941	1,320	1,584	25
9462	1,709	2,014	2,415	25
9463	1,318	1,778	2,042	25
9464	1,318	1,778	2,042	26
9481	1,067	1,469	1,762	66
9482	1,067	1,469	1,762	67
9485	1,067	1,469	1,762	67
972	923	1,290	1,550	24
973	1,284	1,791	2,149	24
980	878	1,233	1,475	90
98000	29			375
989	1,697	2,376	2,853	92
990	1,023	1,434	1,726	138
990L	1,023	1,434	1,726	138
990-0442	1,020	1,357	1,626	339
990-0443	1,020	1,357	1,626	339
990-1200	128	155	224	145
990-1230	170	202	293	145
990-1250	179	216	306	145
990-1500	182	217	314	146
990-1570	114	139	201	145
990-1650	67	83	120	145
990-1660	89	106	154	145
990-2400	160	218	274	146
990-3942	599	781	944	146
9901	1,219	1,645	1,972	29
9901L	1,219	1,645	1,972	29
9911	1,576	2,126	2,552	29
9911L	1,576	2,126	2,552	29
999L	1,601	2,246	2,696	142
ABI1877A	72			379
CHELPAC	94	NA	NA	465
DWVRR	13	13		423
EMPPACA	77	NA	NA	466
G1104	260	312		396
G500	160	207		444
G502	184	252		446
G504	329	365		443
HOTELBASKPAC	59	68	NA	467
HOTELPAC	69	NA	NA	467
MTM-009	88	88		457
SINEPAC-DOUBLE	38	NA	NA	466
SINEPAC-SINGLE	24	NA	NA	466
SPLASHPAC	83	99	NA	468
SSSPAC	32	NA	NA	469
XX14-DSP-FW	83	NA	NA	465
XX14-PMP	97	111	NA	465
XX43-20	306	366		450
XX43-24	326	387		450
XX43S-20	384	463		450
XX43S-24	415	497		450





NEWPORT BRASS®

PRICEBOOK EFFECTIVE APRIL 17, 2023
2001 Carnegie Ave • Santa Ana, CA 92705
T: 949.417.5207 F: 949.417.5208

© 2023 Brasstech, Inc. Newport Brass and GINGER
are registered trademarks of Brasstech, Inc.

GINGER