



# **2020 RULEBOOK**

---

**Modified Lite STARS Series, LLC  
14 Scott Drive, Florence, KY 41042**

**Phone: (814) 442-1738**

**<http://modlitestars.com/>**

The rules and/or regulations set forth herein are designed to provide for the orderly conduct of racing events and to establish minimum acceptable requirements for such events. These rules shall govern the condition of all events, and by participating in these events, all participants are deemed to have complied with these rules. No expressed or implied warranty of safety shall result from publications of or compliance with these rules and/or regulations. They are intended as a guide for the conduct of the sport and are in no way a guarantee against injury or death to a participant, spectator or official. The race director shall be empowered to permit reasonable and appropriate deviation from any of the specifications herein or impose any further restrictions that in his opinion do not alter the minimum acceptable requirements. No expressed or implied warranty of safety shall result from such alteration of specifications. Any interpretation or deviation of these rules is left to the discretion of the officials and their decisions are final.

# 1 Contents

1	PREFACE.....	4
2	RULES REVIEW PERIOD .....	4
3	2020 OVERALL RULE CHANGES FROM 2019 .....	4
4	GENERAL RULES.....	6
5	CLASSIC MODIFIEDS & MODIFIED LITE (IMCA/UMP/DIRTCar) SPECIFICATIONS.....	6
6	CLASSIC MODIFIEDS BODY SPECIFICATIONS .....	7
7	MODIFIED LITE (IMCA/UMP/DIRTCar) BODY SPECIFICATIONS (DIRTCar Figure 1) (IMCA/UMP Figure 6).....	8
8	MODIFIED LITE (IMCA/UMP/DIRTCar) HOOD AND NOSE SECTION .....	8
9	MODIFIED LITE (IMCA/UMP/DIRTCar) ROOF PANEL (DIRTCar Figure 5) (IMCA/UMP Figure 9).....	8
10	MODIFIED LITE REAR UPPER QUARTER PANEL (Sail Panel) IMCA/UMP/DIRTCar Figure 12 & 13.....	9
11	MODIFIED LITE (IMCA/UMP/DIRTCar) SIDE WINDOW (DIRTCar Figure 4) (IMCA/UMP Figure 8) (Mandatory NO TOLERANCE).....	9
12	MODIFIED LITE INTERIOR (DIRTCar Figure 10) (IMCA/UMP Figure 11).....	9
13	MODIFIED LITE INTERIOR SPECIFICATIONS (DIRTCar Figure 2) (IMCA/UMP Figure 6).....	9
14	MODIFIED LITE REAR SPOILER (DIRTCar Figure 10) (IMCA/UMP Figure 11) .....	9
15	MODIFIED LITE REAR FRAME AREA (DIRTCar Figure 10) (IMCA/UMP Figure 11).....	10
16	WEIGHT.....	14
17	BUMPER DIMENSIONS.....	14
18	FIREWALL.....	14
19	WINDSHIELD .....	14
20	NERF BARS .....	14
21	SEAT .....	15
22	NUMBERS, GRAPHICS & TRANSPONDER .....	16
23	BATTERY, FUEL SYSTEM .....	16
24	DRIVE TRAIN.....	16
25	FRAME AND ROLL CAGE (Figure 14).....	17
26	CHASSIE DIAGRAM (Figure 14).....	18
27	SUSPENSION & SHOCKS.....	19
28	SHOCK CLAIM POLICY .....	20
29	STEERING .....	20
30	BRAKES .....	20
31	SAFETY EQUIPMENT .....	21
32	WHEELS AND TIRES.....	21
33	1000cc MOTOR PROGRAM.....	22
33.1	GENERAL MOTOR SPECIFICATIONS.....	22
33.2	ALLOWABLE 1000cc ENGINES MODEL.....	22
33.3	ENGINE .....	22
33.4	CAMS .....	23
33.5	OIL SYSTEM .....	24
33.6	FUEL SYSTEM.....	24
33.7	IGNITION SYSTEM .....	24
33.8	FUEL .....	25
33.9	OTHER.....	25
34	ENGINE TECH PROCEDURES .....	25
35	BORO & STROKE CHART.....	25
36	WEIGHT.....	26
37	MISCELLANEOUS RULES .....	27
38	DRIVER QUALIFICATIONS.....	27

**39 GENERAL REGULATIONS.....27**  
**40 LINE-UP PROCEDURES.....28**  
**41 GENERAL GUIDELINES FOR CONDUCT PERTAINING TO RULES INFRACTIONS .....29**  
**42 REFUSAL TO SUBMIT TO TECH PROCEDURES .....29**  
**43 ORDER OF EVENTS.....29**  
**44 PROVISIONALS .....29**  
**45 WHITE FLAG RULE.....30**  
**46 DRIVER’S MEETING .....30**  
**47 RACERS’ CODE OF CONDUCT .....30**  
**48 TECHNICAL INSPECTIONS.....32**  
**49 SCALES .....32**  
**50 ALL DECISIONS FINAL .....33**  
**51 DISCIPLINE .....33**  
**52 FINES.....34**  
**53 SUSPENSIONS .....34**  
**54 FINALITY OF DECISION .....34**  
**55 NOT LAW ENFORCEMENT .....34**  
**56 PROTESTS.....35**  
**57 APPEALS .....36**  
**58 MODIFIED LITE STARS SERIES NATIONAL/WEEKLY POINTS .....38**  
**59 RAIN OUTS/CANCELLATIONS/UNCOMPLETED EVENTS.....39**  
**FORMS: .....40**  
**MODIFIED LITE STARS 2020 SERIES TRACK/CLUB REGISTRATION FORM .....40**  
**MODIFIED LITE STARS SERIES 2020 ANNUAL MEMEBERSHIP AGREEMENT .....41**  
**2020 TECHNICAL INSPECTION SHEET.....42**  
**INSPECTION TOOLS .....43**

**1 PREFACE**

The rules and/or regulations set forth herein are designed to provide for the orderly conduct of racing events and to establish minimum acceptable requirements for such events. These rules shall govern the condition of all events, and by participating in these events, all participants are deemed to have complied with these rules. No expressed or implied warranty of safety shall result from publications of or compliance with these rules and/or regulations. They are intended as a guide for the conduct of the sport and are in no way a guarantee against injury or death to a participant, spectator or official. The race director shall be empowered to permit reasonable and appropriate deviation from any of the specifications herein or impose any further restrictions that in his opinion do not alter the minimum acceptable requirements. No expressed or implied warranty of safety shall result from such alteration of specifications. Any interpretation or deviation of these rules is left to the discretion of the officials and their decisions are final.

**2 RULES REVIEW PERIOD**

Clubs, regions and racetracks are encouraged to participate during the rules review period. Send request and recommendations to [modlitestars@gmail.com](mailto:modlitestars@gmail.com).

Regional/Club's/Tracks	Rules Review Period	1 – 15 August
Regional/Club's/Tracks	Recommendations	16 August
Regional/Club's/Tracks	Comments	17- 27 August
STARS Racing Operations	Rule Editing	28 – 31 August
Regional/Club's/Tracks	Draft Rule Review	1 – 5 September
STARS Racing Operations	Final Rule Edits	6 – 16 September
Regional/Club's/Tracks	Final Rule Review	17 – 23 September
Regional/Club's/Tracks	Final Approval	24 – 27 September
STARS Racing Operations	Rules Release	30 September

**3 2020 OVERALL RULE CHANGES FROM 2019**

**5 CLASSIC MODIFIEDS & MODIFIED LITE (IMCA/UMP/DIRTCar) SPECIFICATIONS**

5.2 1928-1948 American- made production vehicles only, 5/8 scale, two-door vintage coupe, sedan, sedan delivery, wagon, or pick-up truck. These are to be known as Classic Modified body styles. **Bulletin 2019-1** These are to be known as Classic Modified body styles. This will not apply under the California Mod Lites region, paragraph 5.3 will apply.

5.12 130” maximum total length, bumper to bumper measured from inside to inside of bumper or 132” measured from outside to outside of bumper. **Bulletin 2019-1**

**6 CLASSIC MODIFIEDS BODY SPECIFICATIONS**

6.8 NO open top cars (roadsters, convertibles) only closed top, meaning hardtop. **Bulletin 2019-1**

**8 MODIFIED LITE (IMCA/UMP/DIRTCar) HOOD AND NOSE SECTION**

8.3 No part of nose section (in front of the lower ball joint may be wider than a maximum of 24”. Modified Lite DIRTCar design must resemble approved DIRTCar nose.

8.7 Bumper may not extend more than 30” forward of spindle. Measurement to be taken from either side of car center of spindle to outside of front bumper.

**12 MODIFIED LITE INTERIOR (DIRTCar Figure 10) (IMCA/UMP Figure 11)**

12.1 46" min 50" max - width of rear shelf and body panels. California Mod Lite region 60" max.

## 16 WEIGHT

16.2 CLASSIC MODIFIED body styles (DWARF CARS) locale track and or club may authorize a weight break adjustment set at a minimum of 1240 lbs. with driver after the race. Bulletin 2019-1 California Mod Lites region will have a minimum weight of 1275 lbs.

## 27 SUSPENSION & SHOCKS

27.4 Hub offsets are NOT allowed. Hubs front and rear must be within 1/2" distance from mainframe rail on either side of car, measured from center of rotor to vertical plane of frame rail.

Note:

- Camber considerations must be taken.
- Make sure the rotor is completely parallel with the frame rail prior to taking the measurement.
- Measurement is made from the center of the rotor close to the hub and center of the rotor where it mounts to the hub, not at the outer or bottom edge of the rotor due to camber considerations.

## 31 SAFETY EQUIPMENT

31.10 **Mod Lite Quebec** permits optional tail Red light, (deferent color may be used). Light will become required in 2020.

## 32 WHEELS AND TIRES

32.3 Hoosier Dirt Bozz Style tread pattern "V", Hoosier Racing Tires STARS, TUSA, HTWD plated tires 40-durometer minimum before the race will remain in effect unless specified by individual track rules. Bulletin 2019-1

32.6 Western Mod Lite Association, Texas Sears Mod Lites, Gulf Coast Mod Lite and California Mod Lite region will permit 36810STARM 215/60-13 STARS MED and 36815STARM 235/60-13 STARS MED only.

## 33 ENGINE

### 33.2 ALLOWABLE 1000cc ENGINES MODEL

GSXS 1000 (2020 or order)

GSXR 1000 (2016 or older)

Honda CBR 1000 RR (2018 or older)

Yamaha YZFR1 (2020 or older)

Kawasaki ZX 10 (2019 or older)

### 33.3 ENGINE

33.3.1 Engine parts from different year engines can be swapped between engines providing they are from the same manufacture and same motor series. The GSXR & GSXS motors meets this criteria and are considered to be of the same motor series.

### 33.4 CAMS

33.4.2 Optional cam sprockets permitted. OEM sprocket required for Gulf Coast Mod Lite Series.

#### 4 GENERAL RULES

4.1 Modified Lite STARS Series race rules shall apply to all sanctioned events.

4.2 All vehicles are subject to inspection at any time.

4.3 Approval of a vehicle by the inspector shall mean only that the vehicle is approved for participation in a competitive event and shall not be construed in any way to mean that the inspected vehicle is guaranteed mechanically sound. Be it further declared that the inspector should not be liable, nor shall the sanctioning body, for any mechanical failure not for any losses, injuries or death resulting from same.

4.4 Rules and Procedures for the Modified Lite STARS Series drivers can be found by going to the [www.modlitestars.org](http://www.modlitestars.org) Rules- STARS Rules for Drivers.

4.5 During racing event registration drivers/car owners must declare their body style i.e. Classic Modified, Mod Lite DIRT, Mod Lite IMCA.

#### 5 CLASSIC MODIFIEDS & MODIFIED LITE (IMCA/UMP/DIRTCar) SPECIFICATIONS

5.1 Any car specifications not covered in these body specs are subject to Modified Lite STARS Series officials interpretation. Any significant performance advantage will be addressed on an individual basis. Modified Lite STARS Series official's reserves the right to determine what constitutes an unfair advantage.

5.2 1928-1948 American- made production vehicles only, 5/8 scale, two-door vintage coupe, sedan, sedan delivery, wagon, or pick-up truck. These are to be known as Classic Modified body styles. **This will not apply under the California Mod Lites region, paragraph 5.3 will apply.**

5.3 Modified appearing body style such as IMCA/UMP/DIRT modified. These are to be known as Modified Lite body styles.

5.4 All chassis specifications are the same for all body styles.

5.5 All measurements may be taken with or without the driver and/or with/without fuel tolerance permitted on all body dimensions is maximum of +/- (plus or minus) 1/2" -inch (One half inch). This is a tolerance, not a dimension that is intended to be added to the body dimensions.

5.6 The intent of these specifications is to follow the bodyline and design of an exciting IMCA/UMP/DIRT modified racecar. Body must be 5/8 scale, stock appearing. Maximum outside tire width 60", Cars must pass freely through a hoop 60 1/2" wide by 52" high, 73" wheelbase length plus or minus 1". When measuring wheel base, front tire must be in line with rear tire.

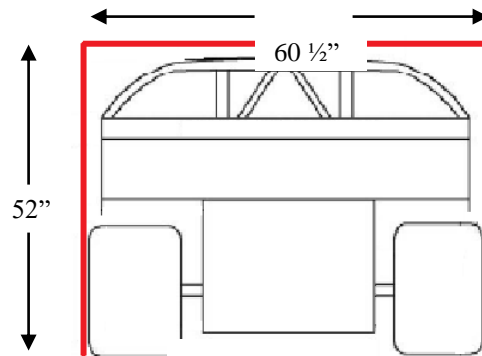


Figure #1

- 5.7 NO car over 52" tall, top to ground. Body height maximum 46", bottom edge to top (including frame rail).
- 5.8 Maximum body width 50", Maximum frame width 34" min 30."
- 5.9 Body contour must follow frame and roll cage. Roof hatch entrance allowed.
- 5.10 Driver's door must be operational and equipped with secure latch.
- 5.11 Fasteners on hood, trunk, or panels must be positive, locking type.
- 5.12 130" maximum total length, bumper to bumper measured from inside to inside of bumper or 132" measured from outside to outside of bumper.
- 5.13 Kick outs or side nerf bars must be mounted two or three points and run full length between tires. 1 1/4" max .125 wall thickness. Cannot stick out beyond 1" from the side of the tire.

## 6 CLASSIC MODIFIEDS BODY SPECIFICATIONS

- 6.1 Must have grill shell or simulated open radiator matching original body style, any material.
- 6.2 Doors, windows, and cowlings must retain stock appearance. Hood louvers allowed for cooling, but must maintain stock contour.
- 6.3 Engine compartment must conform to scale and match contour of body. Hole may be cut for breather clearance only. Ram air induction system prohibited.
- 6.4 Must have closed trunk lid or fully enclosed trunk access panel conforming to original bodylines. Louvers allowed no holes.
- 6.5 No fenders.
- 6.6 No wings or spoilers.

6.7 Body will be metal construction, 26-gauge steel or .040" aluminum minimum. Fiberglass or plastic grill shells allowed. All exposed edges must be folded or trimmed over. Legends cars may be allowed under local rules. No lips or spoilers of any kind.

6.8 NO open top cars (roadsters, convertibles). Only closed top, meaning hardtop.

## **7 MODIFIED LITE (IMCA/UMP/DIRTCar) BODY SPECIFICATIONS (DIRTCar Figure 1) (IMCA/UMP Figure 6)**

7.1 86" max - Door and rear quarter length.

7.2 30" min 38" max - side height of rear quarter panel from the ground. 30" max height of quarter panel.

## **8 MODIFIED LITE (IMCA/UMP/DIRTCar) HOOD AND NOSE SECTION**

8.1 20" min 27" max - hood height excluding breather protectors (bottom of frame rail to top of hood).

8.2 Rear of hood becomes part of windshield area rules.

8.3 No part of nose section, 8" in front of the lower ball joint, may be wider than a maximum of 24". Modified Lite DIRTCar design must resemble approved DIRTCar nose.

8.4 Hood may taper out to door panels at the rear.

8.5 Maximum 1.5 inch side fins allowed on aluminum nose.

8.6 IMCA/UMP Body only - approved plastic nosepieces allowed. Plastic nose must be mounted in an approved manner and can extend no further back than front of hood.

8.7 Bumper may not extend more than 30" forward of spindle. Measurement to be taken from either side of car center of spindle to outside of front bumper.

8.8 Cooling holes allowed

## **9 MODIFIED LITE (IMCA/UMP/DIRTCar) ROOF PANEL (DIRTCar Figure 5) (IMCA/UMP Figure 9)**

9.1 40" min 48" max - length of roof panel. 36" min 42" max - width of roof.

9.2 No part of roof panel may have more than 14° of angle rake. No deflector of any type on upper sides or rear of roof panel. Roof entrance hatch optional.

9.3 Maximum .75 inch ridge down sides of roof. (See Figure 12)

9.4 Maximum .75 inch rear roof stiffener (must face down).

9.5 Driver roof hatch allowed.

9.6 Maximum 1.5 inch rolled down rock guard allowed on roof front.



**10 MODIFIED LITE REAR UPPER QUARTER PANEL (Sail Panel) IMCA/UMP/DIRTCar Figure 12 & 13**

- 10.1 20" min 38" max rear upper side panel may contain plexiglass.
- 10.2 Side panels maybe no higher than 3" at the rear of the straight line of quarter panel top edge.
- 10.3 Side panel may be no higher than an imaginary line from the rear edge of roof panel to 3" above the top edge of the rear quarter panel.
- 10.4 Both sail panels will be a mirror image.

**11 MODIFIED LITE (IMCA/UMP/DIRTCar) SIDE WINDOW (DIRTCar Figure 4) (IMCA/UMP Figure 8) (Mandatory NO TOLERANCE)**

- 11.1 Driver and passenger side windows must have 18" min side opening length.
- 11.2 10" minimum side opening height front and rear.

**12 MODIFIED LITE INTERIOR (DIRTCar Figure 10) (IMCA/UMP Figure 11)**

- 12.1 46" min 50" max - width of rear shelf and body panels. **California Mod Lite region 60" max.**
- 12.2 Rear shelf and cockpit area may have no more than a 5° max rake and may not be concave or convex in design.
- 12.3 Cockpit areas will not be fabricated similar to the late model style design. No convey or convex decking.

**13 MODIFIED LITE INTERIOR SPECIFICATIONS (DIRTCar Figure 2) (IMCA/UMP Figure 6)**

- 13.1 DIRT Car only 36" min 56" max - length of right side pod area with max 30°. Left side pod may be altered for driver access. Side pods not permitted on IMCA/UMP body style.
- 13.2 Rear quarter distance from center of rear 20" min 32" max.
- 13.3 Cockpit cover with a max of ½" lip will be permitted providing the on/off cutoff switch is reachable from outside the car by safety personnel.
- 13.4 Deck lid height from ground 30" minimum, 36" maximum with NO rear lip extending upward.
- 13.5 DIRT Side pod may not extend rearward past the centerline of rear axle.
- 13.6 Body must be centered on chassis.
- 13.7 If windshield is used, it must be flat
- 13.8 All body dimensions will be tech'd + or - ½" unless otherwise specified.

**14 MODIFIED LITE REAR SPOILER (DIRTCar Figure 10) (IMCA/UMP Figure 11)**

- 14.1 A one piece, aluminum/lexan spoiler with a maximum height of 4"-inches from the rear deck will be permitted.

14.2 The rear spoiler must be non-adjustable from the cockpit and/or during racing conditions. Hinges, adjuster(s), slides and/or any other adjusting type device permitted.

14.3 Metal gurney and/or table and/or flanges and/or lips will not be permitted.

14.4 A brake and/or bend on the top of the aluminum/lexan spoiler will be permitted for reinforcement.

14.5 The maximum overall height of the spoiler when measured from the ground must not exceed 40"-inches.

14.6 No vertical supports for the purpose of fastening the spoiler to the rear deck will be permitted.

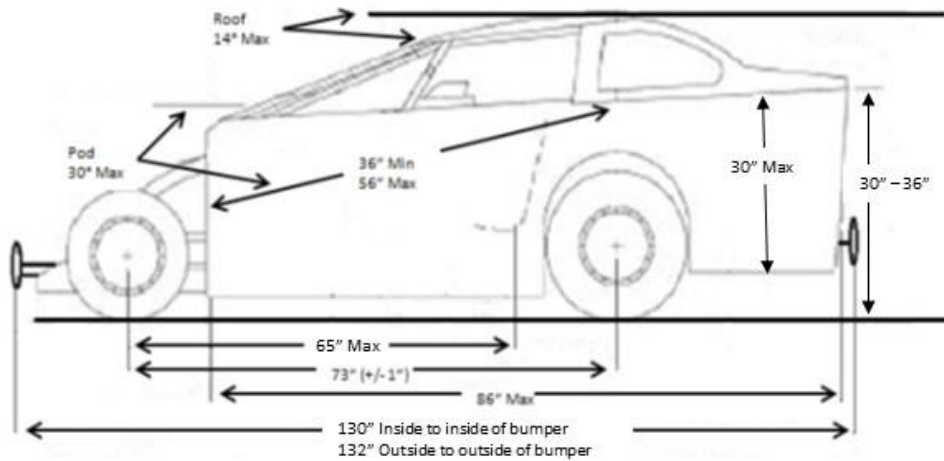
**15 MODIFIED LITE REAR FRAME AREA (DIRTCar Figure 10) (IMCA/UMP Figure 11)**

15.1 The rear frame area from the rear shelf downward may have an optional enclosed panel.

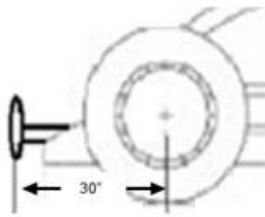
15.2 Louvers and holes allowed



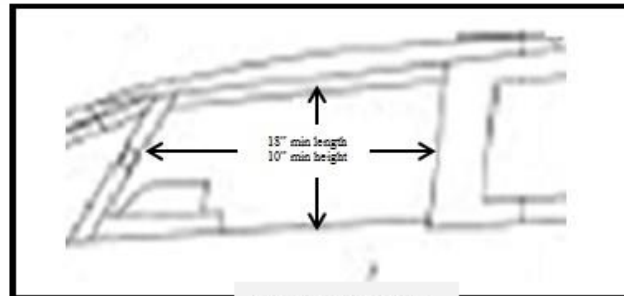
### DIRTCar Body Styles



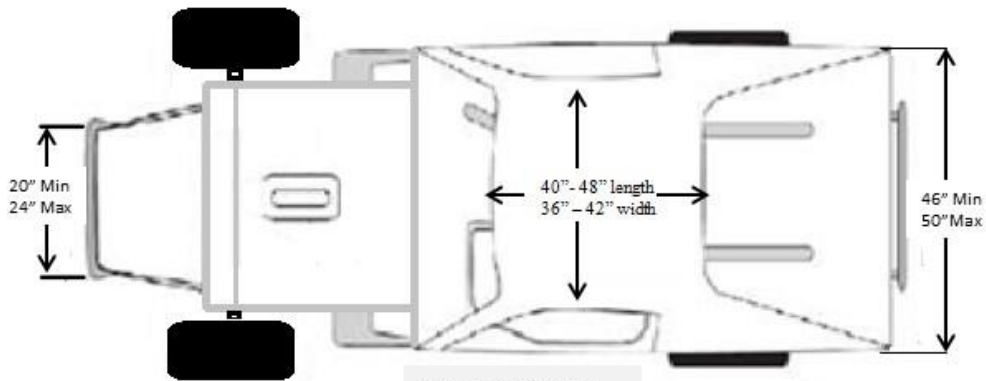
DIRTCar Figure 2



DIRTCar Figure 3



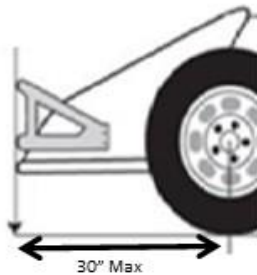
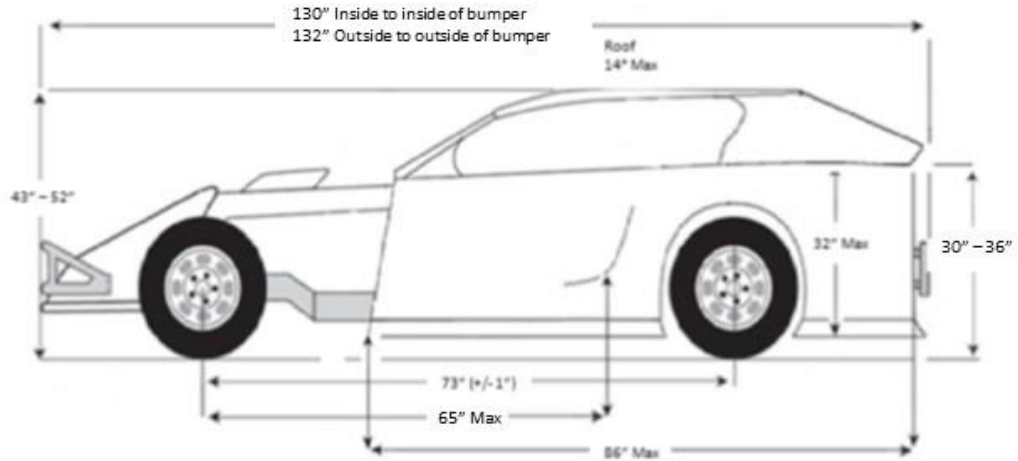
DIRTCar Figure 4



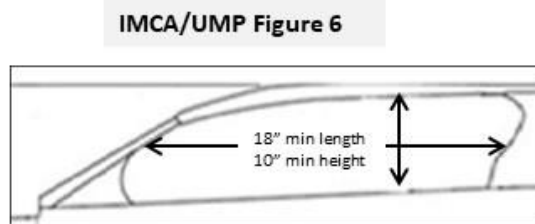
DIRTCar Figure 5



### IMCA/UMP Body Styles

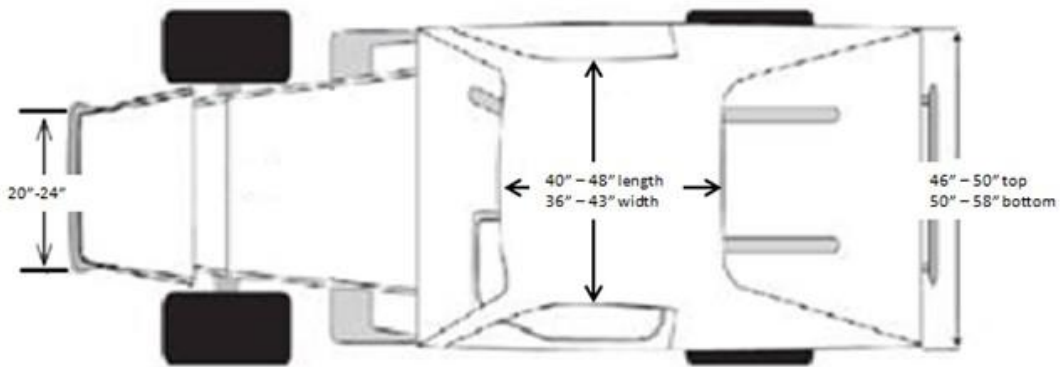


IMCA/UMP Figure 7

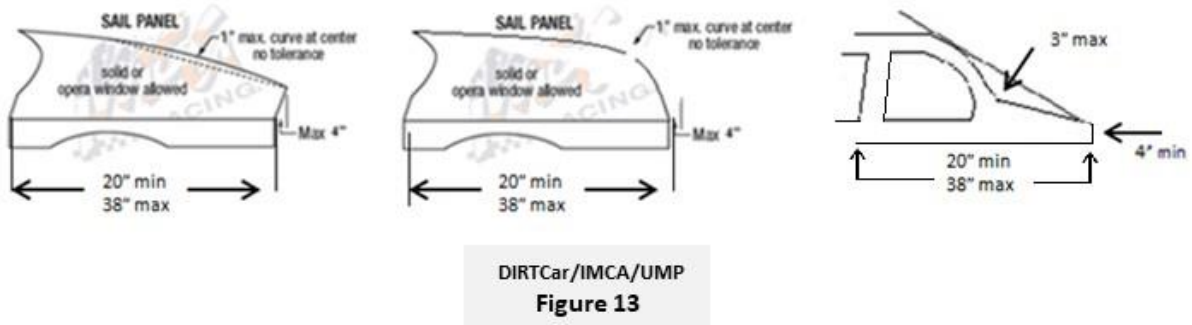
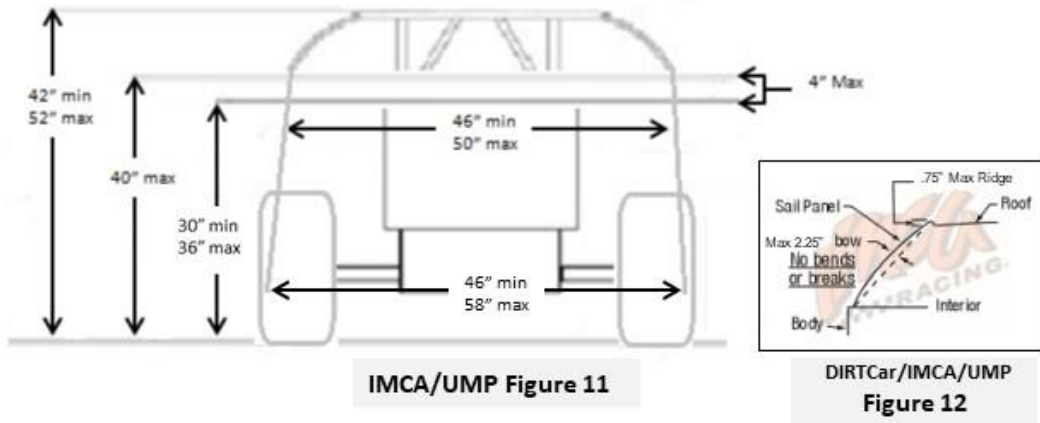
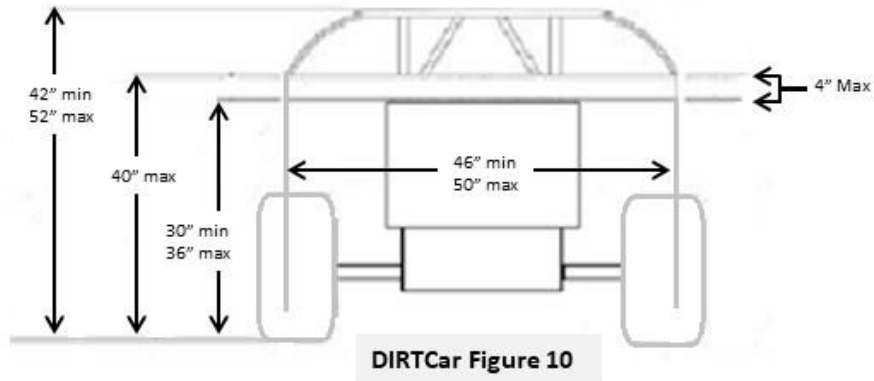


IMCA/UMP Figure 6

IMCA/UMP Figure 8



IMCA/UMP Figure 9



## 16 WEIGHT

- 16.1 All cars following the MODIFIED LITE STARS SERIES program must weigh a minimum of 1325 lbs, with driver after race. **California Mod Lites region will allow a minimum weight of 1275 for drivers 16 years old and under.**
- 16.2 CLASSIC MODIFIED body styles (DWARF CARS) locale track and or club may authorize a weight break adjustment set at a minimum of 1240 lbs. with driver after the race.
- 16.3 No weight outside of car body, i.e. on nerf bars.
- 16.4 Hood will be clearly marked with cc displacement and minimum weight as outlined in Engine Specification.
- 16.5 This weight program will be monitored for parity and competitiveness and may be changed at the discretion of MODIFIED LITE STARS SERIES.
- 16.5 Attached weight must be securely bolted to frame with 2 (1/2") or larger bolts. Weight must be painted white with car number displayed. Penalty for losing attached weight on the race track is disqualification from the event.

## 17 BUMPER DIMENSIONS

- 17.1 Front maximum width 30", Bumper height 6" to 8" with 2-bar loop. Ground to top of bumper: 12" minimum, 16" maximum. Bumper may not extend more than 16" forward of front tires.
- 17.2 Rear maximum width 56" with 3 vertical bars. Bumper height 6" to 8" with 2-bar configuration. Ground to top of bumper: 12" minimum, 18" maximum. May not extend more than 10" behind rear body panels.
- 17.3 Bumpers must be hollow with max wall thickness of .125
- 17.4 Front bumper minimum width will be 20".
- 17.5 To ease pre & post-race inspection Quebec Mod Lite require easy to remove bumper/nerf bar connecting pins or bolts.

## 18 FIREWALL

Firewall must be metal and must completely separate engine compartment from cockpit. Engine protruding into cockpit must be enclosed.

## 19 WINDSHIELD

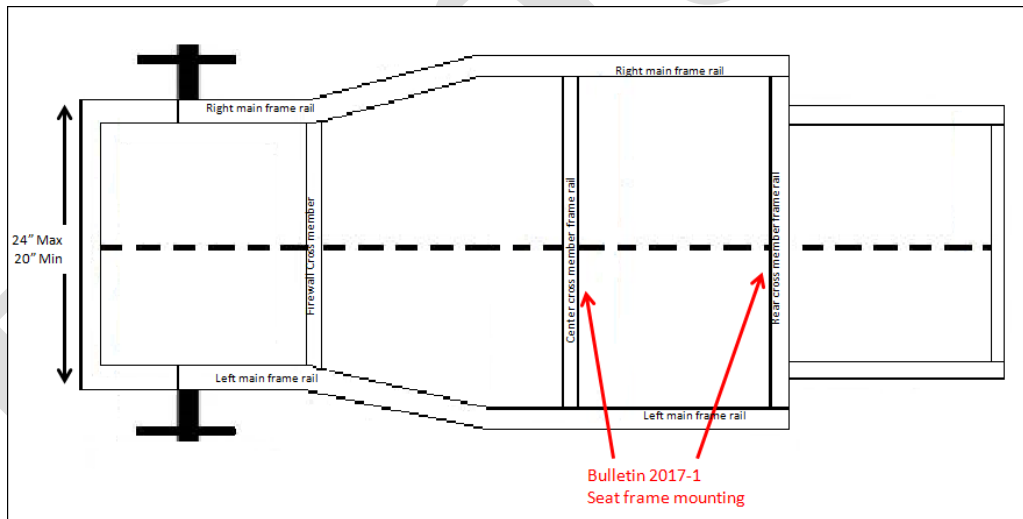
Windshield must be Lexan, wire mesh, or protection bars. Lexan highly recommended when running asphalt. No Glass. All other cockpit areas must remain open. Deflectors may be used in front of driver. May be no wider than roll bar area.

## 20 NERF BARS

Full length nerf bars between front and rear tires mandatory. Maximum outside diameter of 1.25" and .125 maximum thicknesses, must be hollow and may not extend out beyond tread width more than 1" at the rear only.

**21 SEAT**

- 21.1 Seat must be high-backed aluminum, racing type.
- 21.2 Recommend complete driver full containment type seat with head rest and head surround that meet or exceed the SFI 39.2 specification and display a legible and valid SFI 39.2 label.
- 21.3 Seat must be mounted to a seat frame that is welded to the racecar frame/roll cage structure. Attaching points, angles, and materials for the seat frame and mounting of the seat to the seat frame must be in accordance to the seat manufacturer instructions.
- 21.4 Seats must be used as supplied and instructed by the seat manufacturer with the exception of trimming the length of the left side head surround for the purpose of egress only. If the left side head surround is trimmed to a distance that is less than the most forward surface of the drivers helmet (usually the area crossing the chin) then recommend a left side head net meeting the SFI 37.1 installed with a quick release latch.
- 21.5 All cars will have a permanent bar located behind top of seat at shoulder level.
- 21.6 Bottom of seat will not be more than 65" back measured from upper ball joint.
- 21.7 Seat may be tilted back for added driver head clearance; however, no portion of the seat may be back more than 74" as measured above.

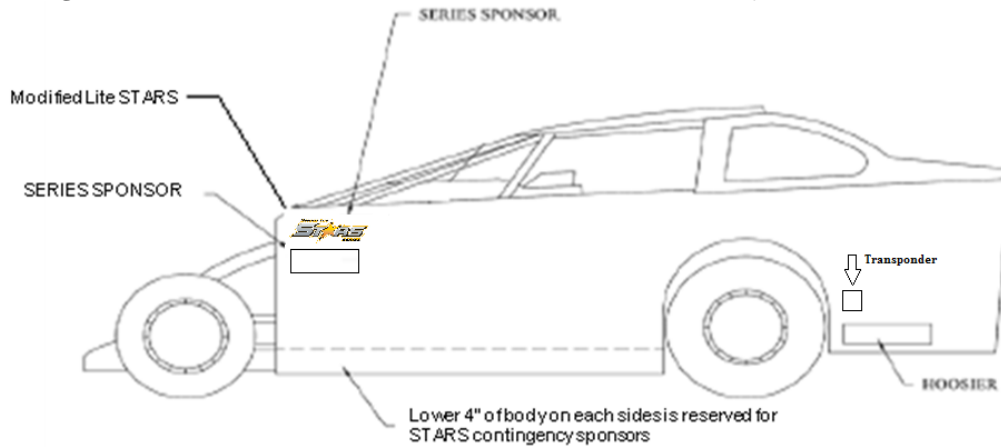


**22 NUMBERS, GRAPHICS & TRANSPONDER**

22.1 Car number must be minimum 12" in height and 2" stroke. Must be displayed on each door and roof or trunk. Numbers in 4" size should be on front and rear of car to help with line-ups

22.2 Transponder located at rear axle area.

22.3 See **Figure #15** for decal locations.



**FIGURE #15**

**23 BATTERY, FUEL SYSTEM**

23.1 Battery and fuel pump must be mounted outside driver compartment. Battery must be secure and held with non-rubber strap. Electric fuel pump allowed.

23.2 Fuel cell mandatory, maximum 5 gallons, located in trunk.

23.3 Reinforced or steel braided line must be used in all high-pressure areas.

23.4 A direct manual cutoff switch wired to ground circuit will be installed on the right rear shelf or rear firewall within 6" of the corner formed by the rear deck and rear firewall. Switch will be located over the right shoulder of the driver. The emergency electrical cut off switch will be clearly located and marked fuel cut off.

**24 DRIVE TRAIN**

24.1 Must use steel drive shaft from transmission to automotive rear end. Minimum 2.50" x .083" or 2" x .120".

24.2 Quick-change rear ends allowed with steel tubes only.

24.3 Drive shaft tunnel must have minimum of 2 (3 recommended) 360-degree hoops between firewall and seat back. Must be fabricated of minimum .1875" X 1.5" steel bar. 1" X .095" steel tube highly recommended.

24.4 Rear must be locked or have a solid spool.



24.5 No slip spools allowed.

24.6 No titanium axles allowed

**25 FRAME AND ROLL CAGE (Figure 14)**

25.1 Main frame members will be minimum of 1" X 2" x .120" wall rectangular steel tubing or 1 1/2" DOM .095 martial non-seemed only.

25.2 Main frame rail consist of the length between the front lower a-arm cross member and the rear main roll bar upright.

25.3 No aluminum allowed in cage or frame.

25.4 Main frame will have a minimum of 3 cross members between firewall and back of seat fabricated of same material as the frame rails.

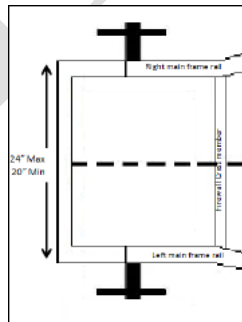
25.5 Alternate material may be steel angle, minimum .125" X 1.5" X 2" or 1 1/2" DOM .095 martial non-seemed.

25.6 Cross-bracing in floor under driver strongly recommended. Rear frame rails at rear roll bar must be 34" max and 30" minimum outside dimension.

25.7 Rear roll bar must meet same dimension as the frame it is mounted to.

25.8 Frame may taper forward of driver seat area.

25.9 Front engine area frame width must be 24" max and 20" min outside dimension. (Cars manufactured prior to the 2018 production year with the narrow nose will be grandfathered). Cars manufactured after September 30, 2018 will be required to meet the 24.9 rule.



25.10 Left and right frame rails must be the same + or - 1/2".

25.11 1" Right side raise rail permitted.

25.12 Roll cage must be DOM steel minimum 1.25" x .083" (.095 recommended).

25.13 Cross-brace or diagonal strongly recommended in hoop over driver's head.

25.14 All cars must have cage bars installed across door openings on both sides.

25.15 Bars should be welded in place as part of roll cage.

25.16 Minimum size 1" x .065". (1.25" x .095" recommended) cars with bars mounted on doors should have full doorframe and minimum of 2 horizontal cross bars. Minimum 1" x .083".

25.17 Cars with bars mounted on doors must have 1/4" x 2" steel stops welded in on each side of opening, totaling a minimum of 4" on each end of door.

25.18 It is required to have a steel bar with a minimum size of 1" X .065" from doorpost to doorpost, under the dash. Steel plate on driver's door bars recommended.

25.19 It is recommended that, if using rivets, body panels attach to tabs welded onto cage instead of drilling multiple holes into cage bars.

25.20 No down tube frame cars allowed. Any bars going from cowl area to snout must remain below the upper line of hood.

25.21 Classic pickups may have two (2) bars going from upper rear roll cage down to rear clip.

**26 CHASSIE DIAGRAM (Figure 14)**

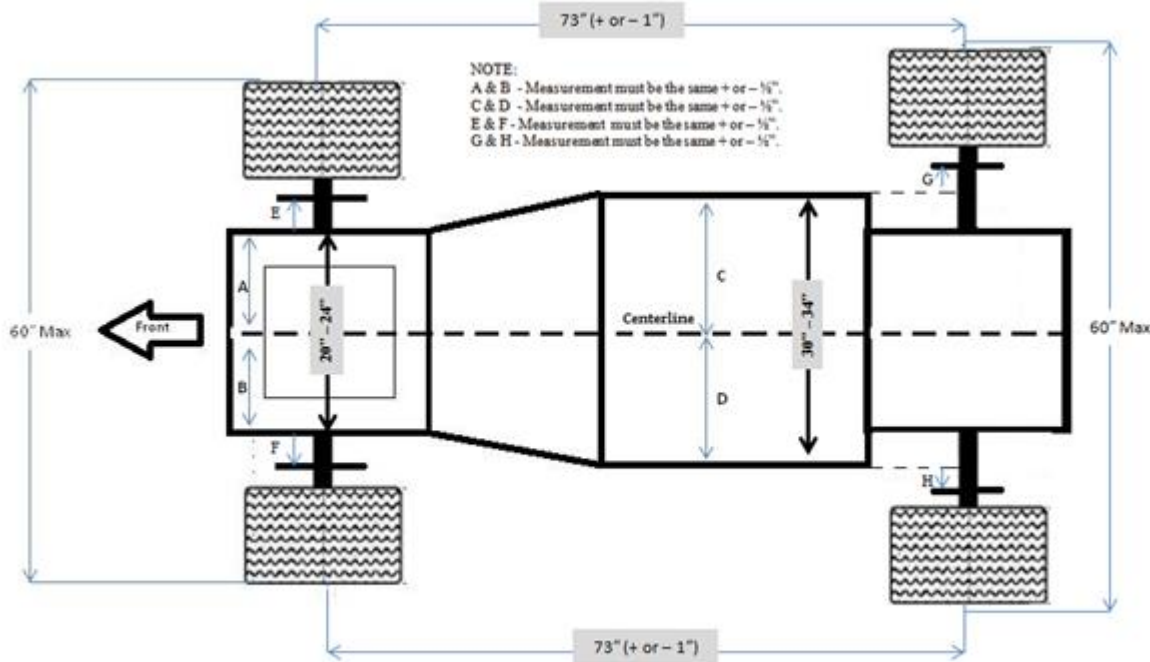


Figure 14

## 27 SUSPENSION & SHOCKS

27.1 Front suspension must not extend rearward past the most forward panel of the firewall.

27.2 Rear trailing arm/radius rod specifications:

27.2.1 Arms may have a maximum length of 30".

27.2.2 Torque-absorbing devices are permitted.

**Note: Exception to rule 27.2.3 may apply.**

27.2.3 Torque-absorbing devices are not permitted under the Texas & Gulf Coast Mod Lite STARS Series.

27.2.4 Maximum 3 radius rods (trailing arms) or 3 link suspension.

27.3 Wheel offsets are allowed.

27.4 Hub offsets are NOT allowed. Hubs front and rear must be within 1/2" distance from mainframe rail on either side of car, measured from center of rotor to vertical plane of frame rail.

**NOTE:**

➤ Camber considerations must be taken.

➤ Make sure the rotor is completely parallel with the frame rail prior to taking the measurement.

➤ Measurement is made from the center of the rotor close to the hub and center of the rotor where it mounts to the hub, not at the outer or bottom edge of the rotor due to camber considerations.

27.5 Shocks must be of all-steel construction, non-adjustable type. (May not be of a type that allows disassembly).

**NOTE:**

Although not recommended we understand that our drivers have their shocks re-valve which requires special tooling and takes place off site from the race track. The intent of this rule is to reduce cost. The Bilstein SG Series 6" – 7" travel shocks are approved and recommended for use within the Modified Lite STARS Racing Series.

The QA1 Twin Tube Shock or shock similar will not be allowed in any application within the rules of the Modified Lite STARS Tour.

27.6 No driver shall have the ability to adjust suspension from inside car.

27.7 Straight front axles are prohibited. Local clubs may grandfather existing cars for competition.

27.8 No leaf springs.

27.9 No birdcage type rear linkage.

27.10 Anti-roll (sway) bars permitted front or rear. Must be connected without adjustments to arm location.

27.11 No torsion bar suspension system of any type allowed. No lift bars.

27.12 No cant-a-lever or cant-a-lever type device will be permitted in or on any area of the race car.

27.13 Coil-over shocks are the only allowable means of supporting the chassis. One shock and one spring per wheel only. Shock and spring must remain as one unit.

27.14 The Bilstein SG Series 6" – 7" travel shocks are approved and recommended for use within the Modified Lite STARS International Racing Series.

27.15 Schrader Valves or any custom modified valving that is similar will not be allowed in any application within the rules of the Modified Lite STARS Series.

## **28 SHOCK CLAIM POLICY**

28.1 Any car that enters tech at the end of the race may have their shocks claimed for the sum of \$100 each. Only drivers that have competed in that race may purchase another competitor's shocks. The highest finishing driver within the top ten finishers of the feature may file a claim with approval from the Modified Lite STARS Race Director. Temporary permit drivers are not eligible to file a claim. Claim fee must be paid in full by cash to the Modified Lite STARS Race Director or his designated representative within 10 minutes after the event. Claim policy will go in effect on the last day of a mutable day shows scheduled under the STARS banner.

28.2 Drivers that do not report to tech or refuses to allow shocks to be claimed, or damage shocks during removal will be disqualified and forfeits all purse and contingency for that event.

## **29 STEERING**

29.1 All steering components must have safety fasteners such as cotter pins or self-locking nuts.

29.2 Manufactured quick-release steering wheel hubs mandatory.

29.3 Rack and pinion steering is mandatory.

## **30 BRAKES**

30.1 All four wheels must have working calipers and rotors.

30.2 Quebec Mod Lite require metal or metal braiding brake lines, no plastic hose or Teflon accepted.

30.3 Rotors and calipers:

30.3.1 Steel rotors mandatory.

30.3.2 Steel OEM calipers or aluminum calipers.

30.3.3 Cutting and scalloping of rotors will be allowed. No surface cracks of any type will be allowed on the face of the rotors.

- 30.3.4 Drilling of rotors is permitted.
- 30.3.5 Adjustable brake bias and wheel shut offs allowed.
- 30.3.6 Competition-type master cylinders allowed.

**31 SAFETY EQUIPMENT**

- 31.1 Fire bottle system **HIGHLY** recommended must be fastened down with metal spring bands and not plastic. SFI 17.1
- 31.2 Fire resistant driving suit required. Single layer minimum SFI 3.2a1 or double layer SFI 3.2a5
- 31.3 Fireproof gloves required. SFI 3.3/1 or 3.3/5.
- 31.4 Fireproof shoes required. SFI 3.3
- 31.5 Full-face helmet required. SA 2010, SA 2015 SFI 38.1, FIA 8860-2004, FIA 8860-2010, Snell 2010, SAH 2010, or SFI 31.1/2005.
- 31.6 Head and neck restraint systems recommended SFI 3.38.1 Head and Neck Restraint Systems shall be inspected for recertification every five years after the date of original certification.
- 31.7 Driving racing harness & restraints required. SFI 16.1 Replacement 2 years
- 31.8 Full Containment Seat recommended. SFI 39.2
- 31.9 The following are recommended:
  - 31.9.1 Window nets SFI 27.1
  - 31.9.2 Arm restraints SFI 3.3
- 31.10 **Mod Lite Quebec permits optional tail Red light, (deferent color may be used). Light will become required in 2020.**

**32 WHEELS AND TIRES**

- 32.1 Steel wheels only, minimum wall thickness .090", 13" only, Wheel width max. 8".
- 32.2 The official tire for the Modified Lite STARS Series is the Hoosier STARS plated 205/60-13, 215/60-13 soft and 215/60-13 medium tire, other tires to be considered by events.

36805STARS	205/60-13 STARS SOFT
36810STARM	215/60-13 STARS MED
36910STARS	215/60-13 STARS SOFT
36815STARS	235/60-13 STARS SOFT
36815STARM	235/60-13 STARS MED



- 32.3 Hoosier Dirt Bozz Style tread pattern "V", Hoosier Racing Tires STARS, *TUSA*, *HTWD* plated tires 40-durometer minimum before the race will remain in effect unless specified by individual track rules.

32.4 Optional rule will read “Any tire identified by the region/club/track with a tire width max. 8” and 40-diameter minimum before the race will be allowed”.

32.5 Bead lock rims are optional. (Mod-Lite Quebec right rear wheel bead lock required.)

32.6 Western Mod Lite Association, Texas Sears Mod Lites, Gulf Coast Mod Lite, California Mod Lites Series will permit medium tires only.

### 33 1000cc MOTOR PROGRAM

#### 33.1 GENERAL MOTOR SPECIFICATIONS

33.1.1 The intent of the stock engine is to use engines directly from a factory supplied street legal motorcycle, without any modifications whatsoever. If there is something that has not been addressed in the above specification, do not assume modifications can be made. You must request clarification from your governing body with any item that has not been directly addressed.

33.1.2 Four cycle, four cylinders maximum only. Must have working transmission, clutch, and starter with all parts in place. Complete Clutch assembly must remain in engine. External reverse boxes allowed. No air controlled shifting devices, and no variable timing intake cam.

33.1.3 Engines must be front mounted in engine compartment.

33.1.4 Engine setback:

33.1.4.1 The "square of the engine" (rear fins of the jugs) may not extend rearward more than 17" from the center of front spindle.

33.1.4.2 No part of the engine or transmission may extend rearward more than 21 inches from center of front spindle.

#### 33.2 ALLOWABLE 1000cc ENGINES MODEL

**GSXS 1000** (2020 or order)

**GSXR 1000** (2016 or older)

**Honda CBR 1000 RR** (2018 or older)

**Yamaha YZFR1** (2019 or older)

**Kawasaki ZX 10** (2016 or older)

#### 33.3 ENGINE

33.3.1 Engine parts from different year engines can be swapped between engines providing they are from the same manufacture and same motor series. The GSXR & GSXS motors meets this criteria and are considered to be of the same motor series.

- 33.3.2 No modifications to the bottom of the engine will be allowed, all bottom end components must remain in stock configuration.
- 33.3.3 Charging system optional.  
**Note: (Mod Lite Quebec charging system required).**
- 33.3.4 Battery powered ignition system only.
- 33.3.5 Alternator cover allowed.  
**Note: (Mod Lite Quebec cover NA)**
- 33.3.6 Factory balancer and/or balancer shaft maybe removed. **(Mod Lite Quebec Factory balancer and/or balancer shaft must be installed.)**
- 33.3.7 No auxiliary starters.
- 33.3.8 Engine must be cooled by original intent. May use extra fan or oil cooler.
- 33.3.9 Engine exhaust must include muffler and exit rearward. All muffler devices must include baffles. **MUFFLER MUST MEET LOCAL TRACK REGULATIONS, (IF MANDATORY)**
- 33.3.10 All head components must be OEM stock. After market cylinder heads and valves will not be permitted.
- 33.3.11 No porting, or grinding, polishing, or changing stock configuration of intake or exhaust ports allowed.
- 33.3.12 Engine must remain in its stock factory manufactured condition.
- 33.3.13 Bore and stroke must remain unaltered from a factory manufactured specification.
- 33.3.14 No increasing or decreasing of motor stroke in any way.
- 33.3.15 No engine can be modified to be less than original stock OEM configuration specifications.
- 33.3.16 Freshening of stock engine must only involve the replacement of any worn or faulty parts, with factory manufactured parts intended for use on that particular engine.
- 33.3.17 No altering of pistons, rods, head components. Crank, rods and pistons must remain OEM.
- 33.3.18 Header must attach directly to head in stock exhaust port location.
- 33.4 CAMS**
- 33.4.1 Cams must be as per original equipment manufacturer (OEM) and meet OEM specifications.
- 33.4.2 Optional cam sprockets permitted. **OEM sprocket required for Gulf Coast Mod Lite Series.**
- 33.4.3 Cam shafts must remain stock lift and duration and be in their original placement. (i.e. intake on intake side, and exhaust on exhaust side).

33.4.4 Kawasaki Racing Exhaust-Camshaft part number 49118-0729, Kawasaki Racing Intake-Camshaft part number 49118-0728, Kawasaki Cam Sprocket part number 120460034 are not permitted.

### 33.5 OIL SYSTEM

33.5.1 Oiling system may not include a dry sump system.

33.5.2 One piece billet, or cut down oil pans may be used.

33.5.3 High volume oil pump gear permitted.

33.5.4 The oil pan may be magnetic steel or aluminum.

### 33.6 FUEL SYSTEM

33.6.1 Engines must remain with the fuel injector or carburetor that was supplied with the engine from the factory. i.e. No interchanging a carburetor on an engine that came with a fuel injector.

33.6.2 No aftermarket fuel injection and turbo chargers.

33.6.3 Carburetor/fuel injection boot must fasten directly to head in the stock intake port location.

33.6.4 After market velocity stacks permitted.

33.6.5 Factory supplied air boxes and or aftermarket air filters maybe used with OEM velocity stacks. After market air boxes, such as K & N or Kinser permitted. **(Mod Lite Quebec Factory supplied airbox required).**

33.6.6 No ram air induction.

33.6.7 Fuel injection casting part lines must be visible upon inspection.

33.6.8 Intake port area may be altered to match intake boot. Alterations not to exceed 3/8" into intake port.

33.6.9 Only one fuel monitoring device can be used, but may not include any additional boxes, modules, or devices to alter motor function.

### 33.7 IGNITION SYSTEM

33.7.1 OEM stock ignition system only (Flashing of ECU/ECM acceptable). Power Commanders up to 5 USB and or TFI may be used. Oxygen sensors or components added will not be permitted. Components added to allow traction control will not be allowed. Bazzaz fuel performance devices will not be allowed.

**Note: (Mod Lite Quebec OEM stock ignition system only, flashing of ECU/ECM acceptable. Power Commanders, TFI and Bazzaz may not be used.**

33.7.2 Alternator recommended but not mandatory. **(Mod Lite Quebec Operational alternator mandatory.)**

33.7.3 Wiring harnesses must be left exposed for easy inspection.



**33.8 FUEL**

- 33.8.1 Any type of manufactured pumped gasoline including ethanol based fuels such as E85 will be allowed. Fuel rule will be enforced by local preference.
- 33.8.2 No nitro or nitrous oxide.
- 33.8.3 Pump gas only will apply for **Texas, Western (AZ) and Mod Lite Quebec** series.

**33.9 OTHER**

- 33.9.1 Engine must be in production for a designated time period to determine its competitive relationship with our current motor program.
- 33.9.2 Any major changes to the existing engine by the manufacturer must be reviewed by the STARS Board Officials before approval.
- 33.9.3 All electronic and/or computerized wheel spin and/or ignition retardation and/or acceleration limiting and/or traction control devices of any type will not be permitted.
- 33.9.4 At NO time will there be any type of ping control devices, dial a chip controls, timing controls, or any modifications to the ignition control boxes, distributors, or any other part of the Ignition System. This includes any add on component or components inside or outside the cockpit of any competitors racecar.
- 33.9.5 There shall be NO driver controlled wheel spin, timing or fuel delivery control devices in the cockpit area of any racecar.

**34 ENGINE TECH PROCEDURES**

- 34.1 Carburetors or Fuel Injection and all 4 spark plugs must be removed before checking compression.
- 34.2 After ten (10) compression revolutions of cranking:
- 34.3 Cylinder cranking compression- minimum 100 p.s.i.
- 34.4 Maximum 220 p.s.i. per cylinder average of 4 cylinders, no variance
- 34.5 Compression to be taken within 15-45 minutes following feature event
- 34.6 Measured with a Snap-On Motorcycle compression gauge, part number EEPV303A: with adapters EEPV304A, EEPV306A or MT26J200, EEPV305A or with Snap-On Motorcycle Compression Gauge Set EEPV503: with adapters EEPV5G10L, EEPV5G12L and EEPV5G14L.

**35 BORO & STROKE CHART**

**GSXS 1000 up to 2020**  
**GSXR 1000 up to 2016**  
**Honda CBR 1000 RR up to the year 2018**  
**Yamaha YZFR1 up to the year 2020**

**Kawasaki ZX 10 up to the year 2016**

			Boro	Stroke	Fuel Pressure
GSXS 1000	999cc	2015-2020	73.4	59	42.0-43.3
<b>GSXR 1000</b>					
	988 cc	2001-2002	73.0	59.0	43.0
	988 cc	2003-2004	73.0	59.0	43.0
	998.6 cc	2005-2006	73.4	59.0	43.0
	999 cc	2007-2008	73.4	59.0	43.0
	999 cc	2009-2011	74.5	57.3	43.0
	999 cc	2012-2016	74.5	57.3	43.0
<b>Honda CBR 1000 RR</b>					
	998 cc	2004-2005	75.0	56.5	50.0
	998 cc	2006-2007	75.0	56.5	50.0
	999 cc	2008-2011	76.0	55.1	50.0
	999 cc	2012-2018	76.0	55.1	50.0
<b>Yamaha YZF-R1</b>					
	998 cc	1998-1999	74.0	58.0	NA
	998 cc	2000-2001	74.0	58.0	NA
	998 cc	2002-2003	74.0	58.0	40.4
	998 cc	2004-2005	77.0	53.6	42.6
	998 cc	2006	77.0	53.6	46.1
	998 cc	2007-2008	77.0	53.6	46.1
	998 cc	2009-2010	78.0	52.2	47.0
	998 cc	2011-2014	78.0	52.2	43.5
	998 cc	2015-2019	79.0	50.9	43.5
<b>Kawasaki ZX 10</b>					
	998 cc	2004-2009	76.0	55.0	41.0
	998 cc	2010-2016	76.0	55.0	43.0

**36 WEIGHT**

- 36.1 All cars following “1000cc Motor Program” must weigh a minimum of 1325 lbs, with driver after race.
- 36.2 All cars following Modified Lite STARS “Futures Cup” “600cc Motor Program” must weigh a minimum of 1100 lbs, with driver after race.
- 36.3 No weight outside of car body, i.e. on nerf bars.

36.4 Hood will be clearly marked with cc displacement and minimum weight as outlined in Engine Specification.

36.5 This weight program will be monitored for parity and competitiveness and may be changed at the discretion of MODIFIED LITE STARS SERIES.

#### **NOTES**

Weight allocations for all engine programs can be reviewed by the governing body, based on track performance and may be altered to suit the competitive nature of modified lite racing.

### **37 MISCELLANEOUS RULES**

37.1 NO two-way radios or communication devices.

37.2 One-way raceceivers from officials only.

37.3 No mirrors allowed.

### **38 DRIVER QUALIFICATIONS**

All drivers must be minimum of fourteen (14) years of age or track policy. All drivers under 18 years of age MUST have a signed waiver by parent or guardian.

### **39 GENERAL REGULATIONS**

39.1 The rules and/or regulations set forth herein are designed to provide for the orderly conduct of racing events and to establish the minimum acceptable requirements for such events. These rules shall govern the condition of all events, and, by participating in these events, all participants are deemed to have accepted and compiled with these rules. **NO EXPRESSED OR IMPLIED WARRANTY OF SAFETY SHALL RESULT FROM PUBLICATION OF OR COMPLIANCE WITH THESE RULES AND REGULATIONS.** They are intended solely as a guide for the conduct of the sport and are in no way a guarantee against injury or death to a participant, spectator, or official. Any interpretation or deviation of these rules is left to the discretion of MODIFIED LITE STARS SERIES Officials and the decision is final. **NO EXPRESSED OR IMPLIED WARRANTY OF SAFETY SHALL RESULT FROM SUCH DEVIATION OF SPECIFICATIONS.**

39.2 No intoxicating spirits or controlled substances are to be consumed before or during race events by anyone entering the pit area of tracks.

39.3 MODIFIED LITE STARS SERIES reserves the right to reject or allow entry of any driver or car.

39.4 Abuse or confrontation of any racetrack or MODIFIED LITE STARS SERIES official and/or use of abusive language is strictly prohibited. **FAILURE TO ABIDE BY THIS RULE MAY RESULT IN SUSPENSION, LOSS OF POINTS, WINNINGS, RECORDS, AND/OR CASH FINE.**

39.5 Any disputes involving qualifying times, lap scoring, finishing position is under the jurisdiction of the hosting track officials. MODIFIED LITE STARS SERIES officials will address winnings, points, or rules interpretations. Any disputes or discussions of this nature are to be held with MODIFIED LITE STARS SERIES officials only.

39.6 Drivers, owners, and/or crew shall have no claims or actions of any kind against or cause of action for damages of any kind, expenses, or otherwise against MODIFIED LITE STARS SERIES, any track owner, promoter, or official by reason of disqualification or damage to either car, driver, or both. This regulation shall be deemed a covenant not to

sue made by each driver, owner, and/or crewmember to MODIFIED LITE STARS SERIES, any track owner, promoter, or official with respect to any alleged act or omission or agreement by any of him or her.

39.7 MODIFIED LITE STARS SERIES or track officials may inspect any car any time for safety, mechanical, or rules compliance may inspect any car.

39.8 ANY RULES OR REGULATIONS NOT COVERED IN THIS BOOKLET WILL BE DETERMINED ON A TIMELY BASIS BY MODIFIED LITE STARS SERIES AND THE DECISION IS FINAL.

39.9 MOTOR RACING IS A DANGEROUS SPORT AND MAY RESULT IN INJURY, BODILY HARM, OR DEATH.

39.10 This year (2020) Modified Lite STARS Series will continue a membership package for all STARS Modified Lite drivers. All drivers will pay a one (1) time Season Membership fee of \$25. This will be required for each driver to pull a pill.

39.11 The race director shall be empowered to permit reasonable and appropriate deviation from any of the specifications herein or impose any further restrictions that in his opinion do not alter the minimum acceptable requirements. No expressed or implied warranty of safety shall result from such alteration of specifications. Any interpretation or deviation of these rules is left to the discretion of the Modified Lite STARS Series officials and their decisions are final.

39.12 Points go to the driver only. No exceptions.

39.13 Feature events will be 15, 20, or 25 lap events. At all regular Modified Lite STARS Series events there will be ABSOLUTLY NO FUEL STOPS. Heat races will be 8 laps in length with B-Mains (10-12 laps depending on amount of cars).

39.14 All restarts will follow normal track procedures.

39.15 In cases where the finish of the race is too close to call (in real time), the track officials may use photo(s), video or electronic scoring, if available, to aid in determining the winner.

39.16 Modified Lite STARS Series officials have final say on all official calls and rules.

#### **40 LINE-UP PROCEDURES**

A car representative will draw a pill for heat race line-ups. Pill cut off will be approximately 45 minutes before the scheduled start time of racing. Once a division's lineup is started, no more pills will be drawn in that division- *no exception!* Any car(s) not pulling a pill will start at the rear of the heats in a first come, first served manner. If a car(s) misses the heat races, he or she will start at the tail of the consy or feature in a first come, first served manner. If a full field is already established no new cars will be permitted to participate. Cars not in position in the line-up area when the race goes out onto the track will automatically go to the tail. Be advised that the flagman will not hold the race for a late car.

##### **40.1 Heats**

Heats will be lined-up with the low pill number on the pole of the first heat and the second low pill on the pole of heat two and so on alternating by heats. Cars must start their scheduled heat. If a car misses its heat, it must start at the rear of the consy to make the feature. If no consy is run that night, the car must start at the rear of the feature.

**40.2 Features:**

The field will be filled in a straight-up manner by the drivers' heat race or consy finish.

**41 GENERAL GUIDELINES FOR CONDUCT PERTAINING TO RULES INFRACTIONS****41.1 MOTOR INFRACTION**

41.1.1 Anyone found to be out of compliance with any of the current motor rules (bore, stroke, illegal head modifications, etc. as per current 2020 MODIFIED LITE STARS rule book) will be assessed the following fines and penalties:

*Competitor (driver) will be suspended for the remainder of the season, MODIFIED LITE STARS membership will be forfeited, and all points for the season will be expunged from the records. In the event that a motor is found to be out of compliance, the motor numbers will be noted and that motor will be henceforth no longer deemed legal to run at any MODIFIED LITE STARS race regardless of whether it has been reconfigured to be legal or not.*

**41.2 OTHER INFRACTIONS (Weight, Wheelbase, Parts, etc.)**

41.2.1 Anyone found to be out of compliance with the rules of driver and car overall weight requirements, wheelbase, illegal suspension, weight, safety, etc. (as per current rule book for the MODIFIED LITE STARS 2020 racing season) will be assessed the following penalties:

41.2.1.1 **FIRST OFFENSE:** Forfeit of points and monies for the race program of record and warning to have the violation corrected before being allowed to compete at the next event.

41.2.1.2 **SECOND OFFENSE:** Driver will incur the same fines and penalties as first offense but will subsequently earn an additional race suspension.

41.2.1.3 **THIRD and SUBSEQUENT OFFENSES:** Driver will incur same fines and earn an additional 2 race suspension and forfeit all points earned to date.

**42 REFUSAL TO SUBMIT TO TECH PROCEDURES**

42.1 Any driver or car owner that refuses to be tech'd by the MODIFIED LITE STARS will result in a maximum suspension and loss of points to date. The length of the suspension will be solely at the discretion of the MODIFIED LITE STARS board members and will be voted upon by the exactor board of directors after a meeting is convened to discuss the matter. All decisions are binding and final; no appeals or changes may be made after the issue is settled. The meeting shall not be conducted on the night of the program in question.

42.2 Race cancellations will not be counted towards the suspension period earned by the offending driver.

**43 ORDER OF EVENTS**

The order of events and lineups at each individual track will be posted at the Modified Lite STARS Series Trailer which will be located in the pit area at all tracks. It is the responsibility of each individual race team to stay abreast of changes to those lineups in the event of changing weather conditions, etc.

**44 PROVISIONALS**

Race tracks will choose their provisional first. If the track doesn't take a provisional then Modified Lite STARS Series will use both Provisionals' in keeping with the 24 car starting field. Modified Lite STARS Series provisional will be chosen from the points list from 2019, with the exception of the first night which will be taken from the final 2020 Modified Lite STARS Series points.

#### **45 WHITE FLAG RULE**

All cars will follow the White Flag rule when lining up for heats, B-Mains and features. The White Flag rule means that all cars will be in the designated line-up area before the white flag flies in the previous heat race, B-Main or Feature event, or said cars will start at the rear of the field.

#### **46 DRIVER'S MEETING**

All drivers must attend Modified Lite STARS Series Driver's Meeting.

#### **47 RACERS' CODE OF CONDUCT**

##### **47.1 DISCIPLINE**

All drivers entering a Modified Lite STARS Series event shall be subject to discipline for any violation of the rules and regulations; violation of the Racer's Code of Conduct; or the failure to obey the directives and decisions of the Modified Lite STARS Series Officials.

##### **47.2 DRIVERS RESPONSIBLE**

The drivers shall be responsible, at all times, for the behavior of the owner of the car and all pit crew and discipline may be imposed upon the driver for any car owner's or pit crew member's violation of the rules and regulations; violation of the Racer's Code of Conduct; or the failure to obey the directives and decisions of the Modified Lite STARS Series Officials. However, Modified Lite STARS Series may also impose discipline upon the offending car owner or pit crew member; as Modified Lite STARS Series Officials deem appropriate in their sole discretion.

##### **47.3 GOOD CONDUCT REQUIRED**

All drivers, car owners and pit crew members shall at all times conduct themselves in a manner that reflects favorably upon the sport and the Modified Lite STARS Series. Any failure to adhere to this rule may result in the imposition of discipline, in the sole discretion of the Modified Lite STARS Series.

##### **47.4 NO DRUGS**

No driver, car owner or pit crew member shall before, during, or after the event (as well as support classes) possess, use, consume or distribute any drug, narcotic or controlled substance which is illegal under federal, state or local law prevailing at the speedway. The Modified Lite STARS Series has a zero tolerance for illegal drugs, narcotics, and controlled substances. Any violation of this policy shall be grounds for immediate disqualification from the event, expulsion from the speedway grounds, criminal prosecution and imposition of any other discipline (including a lifetime ban) deemed appropriate by the Modified Lite STARS Officials. Any person suspected of possession, use, consumption, or distribution shall submit to a medical examination (which may include blood and/or urine testing) within 24 hours, with the cost of same to be paid by the person suspected and with the written results to be provided directly to Modified Lite STARS Series. Any substance suspected to be an illegal drug, narcotic, or controlled substance shall be confiscated by Modified Lite STARS Officials and/or speedway security and/or law enforcement officers and may be subject to testing with the cost of same to be paid by the person suspected and with the written results provided directed to Modified Lite STARS Series.

**47.5 NO ALCOHOL**

No driver, car owner or pit crew member shall possess, use, consume or distribute any alcoholic beverage on the speedway grounds before the event or while the evening's program (including all support classes) is still in progress unless the person is in a spectator area where consumption of alcoholic beverages is permitted by the speedway and the Modified Lite STARS Series portion of the program has been completed.

**47.6 PERSONS UNDER THE INFLUENCE**

No driver, car owner or pit crew member shall be permitted to enter or remain in the pits or infield area while under the influence of alcohol or any illegal drug, narcotic, or controlled substance. Any person suspected of being under the influence of alcohol or any illegal drug, narcotic, or controlled substance shall submit to a medical examination (which may include blood and/or urine testing) within 24 hours, with the cost of the same to be paid by the person suspected and with the written results to be provided directed to the Modified Lite STARS Series. Any person refusing to submit to a medical examination shall be presumed to have possessed, used, consumed, or distributed a drug, narcotic or controlled substance, or alcohol, and shall be subject to discipline, in the sole discretion of the Modified Lite STARS Series.

**47.7 MEDIA RELATIONS**

The Modified Lite STARS Series recognizes and endorses the efforts of the racing media to promote modified lite racing and other forms of motorsports. Any driver refusing to participate in an on-track interview at the end of the event, any post-race interview arranged by Modified Lite STARS Series or in any post-race press conference shall be subject to discipline, including but not limited to imposition of a fine the shall be equal to or greater than the driver's winnings.

**47.8 FIGHTING OR OTHER MISCONDUCT**

Any person taking part in discourteous conduct or causing a disturbance is subject to discipline. Persons leaving their pit area to go to another pit area or to any other location to cause a disturbance are subject to discipline. If any physical contact occurs, including but not limited to fighting, pushing or shoving, the offender is subject to discipline which shall include the loss of accumulated points and a fine and suspension, the amount and duration of which shall be determined by Modified Lite STARS Officials in their sole discretion. Repeat offenders shall be subject to progressive discipline (which may include a lifetime ban). The Modified Lite STARS Series disapproves of this sort of behavior because it is detrimental to the sport and the presentation of a professionally staged entertainment program suitable for the entire family.

**47.9 ROUGH DRIVING**

It is the policy of Modified Lite STARS Series to provide good, clean, competitive racing. Any driver, in the opinion of Modified Lite STARS Officials, charged with rough driving (overly aggressive driving) will be subject to discipline, which shall include a fine, forfeiture of points, and suspension. Repeat offenders shall be subject to progressive discipline (which may include a lifetime ban). This rule against rough driving applies to both on-track incidents and those which occur in the pits. The Modified Lite STARS Series strongly disapproves of rough driving because it presents a safety hazard for drivers, spectators, and others; because it is detrimental to the sport; and because it interferes with the presentation of a professionally staged entertainment program suitable for the entire family.

**47.10 NO ABUSIVE LANGUAGE**

No driver or other person affiliated with the car (i.e., owner, pit crew member) shall subject the Modified Lite STARS Officials, scorers, or speedway officials to verbal (improper/obscene/profane language) or physical abuse at any time. Offenders shall be subject to discipline, which shall include a fine, forfeiture of points, and suspension, and repeat offenders shall be subject to progressive discipline. The Modified Lite STARS Series disapproves of this sort of



behavior because it is detrimental to the sport and the presentation of a professionally staged entertainment program for the entire family.

#### **47.11 NO UNSPORTSMANLIKE CONDUCT**

No driver shall engage in any unsportsmanlike conduct. Modified Lite STARS Series Officials have the sole discretion to determine what constitutes unsportsmanlike conduct.

### **48 TECHNICAL INSPECTIONS**

#### **48.1 RIGHT TO INSPECT**

Modified Lite STARS Officials may inspect any car at any time before, during or after the race. The speedway may inspect any car for safety purposes before or during the race.

#### **48.2 PRIOR INSPECTIONS**

The fact that a car was inspected and determined to be legal or safe on any prior occasion shall not govern. Cars must be legal and safe at all times. Cars deemed to be illegal or unsafe shall not be allowed to compete in the event and the driver may be subject to discipline. The Modified Lite STARS Officials make no warranty or representation of the legality or safety of cars allowed to compete in the event.

#### **48.3 POST-RACE INSPECTIONS**

If any illegality is detected in any post-race inspection, the car will be disqualified, relegated to last place in the official order of finish for the race in which the disqualification occurred and the driver may be subject to discipline, which may include but is not limited to forfeiture of purse and/or points.

### **49 SCALES**

All drivers must cross the scales after heats, B-Mains, and feature events, if scales are available, regardless of what you are told over the one-way radios. Any car that goes to its' pit area before going to the scales will be presumed to be too light and will be disqualified from that race without right of protest or appeal.

#### **49.1 WEIGH-IN PROCEDURE**

The car must approach the scales at a safe speed, ease onto the scales, come to a complete stop, and let the engine idle. If the car is not positioned properly, it shall ease off the scales and repeat the procedure. The driver shall refrain from excessive motion while the car is on the scales and shall not rock or bounce the car. The driver shall not rev the motor. When instructed, the car shall ease off the scales. Failure to comply with any portion of this procedure shall be deemed to be unsportsmanlike conduct and the driver may be subject to discipline which may include disqualification without right of protest or appeal.

#### **49.2 CAR DETERMINED LIGHT**

If a car is determined to be too light after the race is over the car shall be reweighed. The Modified Lite STARS Officials, in their sole discretion, shall determine the best course of action for reweighing. Locations of the scales, proximity of the line of cars, are but two factors in that determination. The Modified Lite STARS Officials may simply back the car back up onto the scales and reweigh. The car shall repeat the weigh-in procedure. If the car is determined to be too light again, it will be disqualified from that race and relegated to last place in the official order of finish, all without right of protest or appeal. If the car makes the minimum weight the second time it is weighed, it will be deemed to be legal. No car will be weighed more than two (2) times. If the driver goes to his pit area or onto the



track, it will be presumed that the car is too light and it will be disqualified from that race and relegated to last place in the official order of finish, all without right of protest or appeal, and the driver may be subject to discipline.

#### **49.3 DRIVER'S RESPONSIBILITY**

It is the driver's responsibility to be sure that the car meets the minimum weight at all times. The driver may request that the car be weighed at any time before or during the program, so long as the request does not interfere with the orderly presentation of the program.

#### **49.4 EARLIER WEIGHT CHECKS**

Cars may be weighed several times over the course of the racing program. Just because the car made minimum weight earlier in the program will not be controlling any other time the car is weighed.

#### **49.5 NO TOLERANCE**

The Modified Lite STARS Series does not allow for any tolerances for fuel burn-off or any other reason.

#### **49.6 SCALES ARE OFFICIAL**

All scales used by Modified Lite STARS Series are considered to be the official scales for that racing event only. The scales might not be calibrated or certified to be considered official.

### **50 ALL DECISIONS FINAL**

The decisions of the Modified Lite STARS Officials concerning compliance with the weight requirements and procedures shall be final and shall not be subject to protest or litigation.

### **51 DISCIPLINE**

#### **51.1 RIGHT TO DISCIPLINE**

Modified Lite STARS Officials shall have the sole right to determine whether a driver or other person shall be subject to discipline.

#### **51.2 WHETHER TO IMPOSE DISCIPLINE**

Whether a person is subject to discipline shall be a matter entrusted to the discretion of the Modified Lite STARS Officials.

#### **51.3 AMOUNT OF DISCIPLINE**

Unless rules of the Modified Lite STARS Series establish a specific penalty for any transgression, the nature and amount of the discipline imposed shall be within the sole discretion of the Modified Lite STARS Officials.

#### **51.4 FORMS OF DISCIPLINE**

Modified Lite STARS Officials may impose any of the following forms of discipline, singly or cumulatively:

- 51.4.1 Disqualification from the event
- 51.4.2 Forfeiture of points for the event or the season to date
- 51.4.3 Forfeiture of purse money or contingency money
- 51.4.4 Forfeiture of point money, if any
- 51.4.5 Imposition of a fine
- 51.4.6 Suspension from one or more future events
- 51.4.7 Lifetime ban from all Modified Lite STARS Series events.

## 51.5 PROGRESSIVE DISCIPLINE

The Modified Lite STARS Series shall keep a record of all discipline imposed. Persons subject to progressive discipline shall suffer a greater penalty for the second and each subsequent offense. For example, if a driver is fined \$100 for the first offense, the second offense may result in a fine of \$200 and the third offense may result in a fine of \$300. Progressive discipline; however, shall not carry over to the following season.

## 52 FINES

All fines imposed by the Modified Lite STARS Series before the pay-off is made shall be withheld from the purse or contingency monies the driver is eligible to receive for the event. If the purse or contingency monies due the driver are not sufficient to satisfy the fine, the fine will carry forward to subsequent Modified Lite STARS Series events. If the fine is imposed after the pay-off is completed for that event, it will carry forward to subsequent Modified Lite STARS Series events. A driver must pay all outstanding fines to be allowed to enter any subsequent Modified Lite STARS Series events. If an owner/driver does not pay a fine imposed, the owner/driver's car cannot compete in a subsequent Modified Lite STARS Series event with another driver until the fine is paid. A car owner must pay all fines before the car may be driven in any subsequent Modified Lite STARS Series event. Any fines remaining unpaid at the end of the season shall be withheld from the driver's point money, if any is due the owner/driver. If the point money is insufficient to pay the outstanding fine or if the driver is not eligible for any point money, the fine shall carry over from season to season until it is fully paid.

## 53 SUSPENSIONS

All suspensions must be fully served. Cancelled events do not count against the suspension. For example, if a driver is suspended for two (2) events and the next event is cancelled due to inclement weather, the suspension continues in effect until fully served. Any suspension imposed shall carry over to the following season until fully served. For example, if a driver is given a three race suspension but only two events remain on the schedule, the suspension will still be in effect at the first event of the following season.

## 54 FINALITY OF DECISION

The decisions of the Modified Lite STARS Officials regarding discipline shall not be subject to protest or litigation.

## 55 NOT LAW ENFORCEMENT

While the Modified Lite STARS Series has the right to impose discipline for any misconduct that is in violation of any law (such as assault, terroristic threats, public intoxication or illegal drug use), the Modified Lite STARS Officials are not responsible for law enforcement or investigation. Rather, investigation and prosecution shall be the responsibility of law enforcement officials and/or speedway security. Modified Lite STARS Officials shall cooperate whenever practicable, but are not bound by any decision of law enforcement and/or security to the undertake or to decline an investigation or prosecution.

## 56 PROTESTS

### 56.1 SPOKESMAN

The driver shall be the sole spokesman for the team and the car owner.

### 56.2 WRITEN PROTESTS ONLY

All protest must be submitted in writing to the Modified Lite STARS Race Director within ten (10) minutes of the official announcement of the order of finish. The protest must specifically state the basis for the protest. Verbal protests will not be considered. The failure to file a timely, written, specific protest shall be deemed to be a waiver of the right to protest and shall preclude any subsequent appeal or litigation.

### 56.3 RIGHT TO PROTEST

Any affected driver may protest any violation of the rules (including car specifications and weight requirements) unless the rules expressly preclude the filing of a protest or appeal.

To be eligible to protest, the driver protesting must finish in the TOP 5 finishing order of the A-main feature and can protest the driver of the car that finished one (1) position forward only. Example 5<sup>th</sup> place can protest 4<sup>th</sup> or 3<sup>rd</sup> can protest 1<sup>st</sup>.

### 56.4 "A" MAIN FEATURE ONLY

Protest may be lodged with respect to the "A" Main Feature only. Protests may not be lodged with respect to any qualifying event.

### 56.5 VISIBLE PROTESTS

Protests may be made concerning visible violations of rules or specifications. A visible protest situation is any time a mechanical device is not needed by a Modified Lite STARS Official to determine the car's compliance with the rule.

### 56.6 TECHNICAL PROTESTS

#### 56.6.1. PROTEST FEES:

- All fees must be paid in cash.
- Visible measurements \$50.00 for each measurement. Series retains \$25.00
- Fuel Injection inspection \$50.00. Series retains \$25.00
- \$500.00 Motor tear down top half of engine including head, cam and valve. Series retains \$250.00.
- \$1,500.00 complete motor tear down top and bottom. Series retains \$500.00

#### 56.6.2 TECHNICAL PROTESTS STEPS

57.6.2.1. A technical protest situation is any protest which requires any tool or mechanical device (including scales) for Modified Lite STARS Officials to determine a car's rule compliance.

57.6.2.2. Technical protests must be filed with the Modified Lite STARS Race Director and must be accompanied by the protest fee, paid in cash prior to the inspection. Failure to pay the protest fee, in cash, shall be deemed a waiver of the right to protest and shall preclude any subsequent appeal or litigation.

57.6.2.3. For the purpose of a subsequent appeal, all measurements by Modified Lite STARS Officials are presumed to be correct, absent a showing by the driver of a mistake or prejudice.

57.6.2.4. If the protested car is found to be illegal, it shall be the burden of the driver to establish legality in any subsequent appeal or litigation.

57.6.2.5. If the protested car is found to be illegal, the protest fee is refunded to the protester, less an administrative fee, which shall be retained by the Modified Lite STARS Series and used for the cost of the tear down. If the car is found to be legal, the fee is retained by the Modified Lite STARS series, with the difference going to the protested car. Cars that are found to be illegal will forfeit all points earned for the race in questions and the driver will also forfeit any earnings due for that race. The Modified Lite STARS Series will use the administrative fee portion to offset the labor cost of the tear down.

57.6.2.6. The Modified Lite STARS Series shall not be responsible for any damage caused by the inspection.

## 56.7 RACE RESULTS PROTESTS

Any affected driver may protest race results within 10 minutes after the race. A recheck of scoring will then be made, if necessary, and, thereafter, the results will be considered final.

## 56.8 HOLDING THE PURSE

In the event of a protest, the speedway may, with the advice and consent of the Modified Lite STARS Series, delay purse distribution until the matter is ultimately decided by the appeal board. The speedway can, at its discretion and with the advice and consent of the Modified Lite STARS Series, distribute that portion of the purse to drivers whose finishing positions will not be affected by the protest or any subsequent appeal.

## 56.9 RIGHT TO REFUSE PROTEST

The Modified Lite STARS Series reserves the right to refuse any protest if the protest is deemed unnecessary and/or is deemed to have been used for purposes of harassment.

## 56.10 RECORDS OF PROTEST

The Modified Lite STARS Series will retain all written protests for seven (7) days after the event giving rise to the protest.

# 57 APPEALS

## 57.1 EXCLUSIVE REMEDY

The Modified Lite STARS Series has established a grievance board of appeals to rule on appeals. The appeal process contained in these rules shall be binding on all parties and shall not be subject to judicial review or litigation. The appeal process is the exclusive means for any aggrieved party to seek review of any reviewable decision of a Modified Lite STARS Official.

## 57.2 SUBMITTING APPEAL

The appeal must be submitted, in writing, to the Modified Lite STARS Office or to a Modified Lite STARS Official, with a copy to the Chairman of the Appeal Board, Bill Bauer, 541 Flannery Rd, Somerset, PA 15501, by e-mail to [wcbauer@zoominternet.net](mailto:wcbauer@zoominternet.net), within 48 hours of the event or decision giving rise to the appeal. The appeal will be deemed submitted on the date of actual receipt by the Modified Lite STARS Office or Modified Lite STARS Official; but if the appeal is submitted by mail, then the date of the postmark shall govern. The appeal must state the following: the decision to be reviewed; the date of the event or decision giving rise to the appeal; the name of the Modified Lite

STARS Official, if any, involved in the matter; the substance of the decision to be reviewed; and specific grounds for which an appeal is sought. The failure to submit a timely, written and specific appeal shall be deemed to be a waiver of the right to appeal and shall not be subject to judicial review or litigation.

### **57.3 APPEAL BOARD**

Members of the appeal board shall be determined as follows: Two (2) members of the board shall be selected by the Modified Lite STARS Series; one (1) member of the board shall be selected by the driver lodging the appeal, with the following provision: the driver representative shall not have any interest whatsoever in the outcome of the appeal. The Chairman of the Appeal Board, Bill Bauer, or the chairman's designee, shall be an administrative member, but the chairman or the designee shall have no vote, except to break ties.

### **57.4 CONVENING THE BOARD**

The appeal board will meet whenever and wherever necessary for the efficient and speedy disposition of its business. The appealing party will be given written notice of the date, time and place for the meeting. The meeting may take place in person or by telephone. A quorum of the board shall consist of any two voting members of the appeal board and the chairman or the chairman's designee.

### **57.5 DECISION**

A majority of the members of the board voting must concur to modify any penalty or determine any appeal. A decision of the majority of the board shall be considered final and shall not be subject to any judicial review or litigation. If the board fails to agree on action to be taken on an appeal, the appeal shall be referred to the Modified Lite STARS president for decision and the president's decision shall be final and shall not be subject to judicial review or litigation.

### **57.6 PARTS**

When an appeal involved the legality of any parts, the affected driver or car owner must surrender the part or parts in question. The Modified Lite STARS Series will issue a receipt upon surrender of the parts, but the parts will not be returned until after the appeal hearing is concluded.

### **57.7 APPEAL PROCEDURE**

57.7.1. The decision of the Modified Lite STARS Official or Officials shall be put into the record.

57.7.2. The contents of the written appeal shall be put into the record.

57.7.3. The aggrieved party will state his case and will call any witnesses or introduce any evidence to support that case. Hearsay evidence is admissible.

57.7.4. The Modified Lite STARS Official(s) will state the case in support of the decision from which an appeal is being made, and may call any witnesses or introduce any evidence to support that case. Hearsay evidence is admissible.

57.7.5. The aggrieved driver will make any desired rebuttals, additions to the record or summations.

57.7.6. The Modified Lite STARS Official(s) will make any desired rebuttals, additions to the record or summations.

- 57.7.7. At any time during the hearing, members of the appellate board will be given the opportunity to ask any questions of any person present in person or by telephone at the time of the hearing.
- 57.7.8. In the interest of justice, the appeal board may continue any hearing to receive additional evidence.
- 57.7.9. After the record is closed, the members of the appeal board will deliberate in private and will make its determination, decision or recommendation by majority vote.
- 57.7.10. All interested parties will be notified in writing of the appeal board’s decision.
- 57.7.11. The Modified Lite STARS Series shall retain copies of all decisions by the appeal board.
- 57.7.12. If the payment of the purse or any portion thereof was withheld due to the appeal, the promoter shall be notified, in writing, by the Modified Lite STARS Series of the decision and its impact upon the payment of the purse and the promoter shall distribute all withheld sums forthwith.

**58 MODIFIED LITE STARS SERIES NATIONAL/WEEKLY POINTS**

- 58.1 At each region drivers can compete at any weekly Mod Lite STARS-sanctioned event and accumulate points for the 2020 season. Driver’s best top 20 weekly races will be utilized.
- 58.2 National points will be awarded with the overall results of national events.

<b>1</b>	100	<b>9</b>	87	<b>17</b>	79	<b>25&gt;</b>	71
<b>2</b>	98	<b>10</b>	86	<b>18</b>	78	DNS/NQ	70
<b>3</b>	96	<b>11</b>	85	<b>19</b>	77		
<b>4</b>	94	<b>12</b>	84	<b>20</b>	76		
<b>5</b>	92	<b>13</b>	83	<b>21</b>	75		
<b>6</b>	90	<b>14</b>	82	<b>22</b>	74		
<b>7</b>	89	<b>15</b>	81	<b>23</b>	73		
<b>8</b>	88	<b>16</b>	80	<b>24</b>	72		

- 58.3 Modified Lite STARS Series race rules shall apply to all sanctioned events.
- 58.4 In order to compete in the STAR’s Championship Series sanctioned event, and be eligible to receive payout and contingency awards, registered drivers must be a member of the Modified Lite STARS Series. Memberships are \$25.00 per year. A driver has the option to compete in more than one region providing he registers his car with that region paying the additional \$25.
- 58.5 Must be present at drivers meeting to receive contingency awards from previous event.
- 58.6 A driver may compete in more than one region providing he/she registers under the region paying the additional \$25 membership fee.

58.7 Must be present at the 2020 Modified Lite STARS Series banquet to be paid or receive any bonus and contingency awards. If not in attendance money will be mailed with 10% reduction.

58.8 All payouts and points fund subject to change based on car count.

## 59 RAIN OUTS/CANCELLATIONS/UNCOMPLETED EVENTS

59.1 Track officials may cancel a race if dangerous or unsafe conditions arise. If the race is called because of an accident, weather or any other unforeseen situation, the payoff will be based on the last completed green flag lap. All cars involved in the final caution, stop on the track, and pit will be scored at the end of the last completed lap. For the race to be considered official, 50% or more of the scheduled number of laps must be completed.

59.2 If all of the preliminary races or parts of the features have been completed and the weather or any other type of situation forces the program to be cancelled, there will be no "rain out". Make-up features will be run in the subsequent nights, if possible, and no new cars will be added to the field. Rain checks will be void.

59.3 If the races are cancelled prior to the completion of all of the preliminary events, a "rain out" will be declared. No points will be awarded. The possibility of a rainout or circumstances beyond our control that force the postponement of an event is a risk you assume every time you enter the grounds. Speedway host management will specify which event(s) your rain check will be good for. Rain check will be redeemable at event's face value. No refunds will be given. The Modified Lite STARS Series officials will secure a chassis seal on all registered car's documenting the seal number for the future rain check date. Any driver returning to the identified rain check date without the proper serial number will be permitted to start on the tail of the preliminary or feature event.

59.4 *Exception:* If feature event(s) is/are cancelled and the show has been considered a complete show, and no rain date will be utilized, the total feature purse may be split equally among the qualified drivers, if 50% or more of the feature has not been completed. Management reserves the right to choose a scenario that best fits the interest of the host speedway, which may or may not include a make-up night or refunding of all gate receipts.

60 Any rules or regulations not covered in this document will be determined on a timely basis and voted on by Modified Lite STARS Series Board Members and by Modified Lite STARS Series Officials and those decisions will be final.

**FORMS:**



**MODIFIED LITE STARS 2020 SERIES TRACK/CLUB REGISTRATION FORM**

**CLUB/SERIES NAME:** [Click here to enter text.](#)      **URL:** [Click here to enter text.](#)

**CONTACT:** [Click here to enter text.](#)      **TITLE:** [Click here to enter text.](#)

**PHONE:** [Click here to enter text.](#)      **EMAIL:** [Click here to enter text.](#)

**MAILING ADDRESS:** [Click here to enter](#)      **CITY:** [Click here to enter text.](#)      **STATE/ZIP:** [Click here to enter text.](#)

To be entitled to the Modified Lite STARS regional/national contingency, sponsorship and points fund programs; each member of your organization will be required to become an annual member of the Modified Lite STARS organization. Each driver will be required to complete the annual membership form paying the annual \$25 membership fee.

**Series Commitment:**

1. Use the Modified Lite STARS National Rules (Any modifications of the rules will be submitted to the Modified Lite STARS national office for approval and publication)
2. Place the Mod Lite STARS logo and website link onto your home page website
3. Have each member of your club complete the Modified Lite STARS membership form
4. Provide a list and schedule of race tracks competing at during the 2020 season
5. Report and provide results of all STARS events
6. Promote the Modified Lite STARS program and sponsors at every possible opportunity
7. Distribute promotional materials, catalogs, and decals of sponsors and supportive race publications to racers and spectators
8. Provide display space and/or credentials for visiting sponsors if requested
9. Provide the names, e-mails, and phone numbers of your regional board of directors
10. Each region is responsible for their own Regional Points Fund.

I, the understand; as a representative of the club/series listed above; agree to the terms and conditions in this proposal, registration form, and contract governed by the state of Pennsylvania.

Print Name: [Click here to enter text.](#)      Signature \_\_\_\_\_      Date: [Click here to enter text.](#)





**MODIFIED LITE STARS SERIES 2020 ANNUAL MEMEBERSHIP AGREEMENT**

**THIS INCLUDES A RELEASE AND INDEMNITY AGREEMENT-READ BEFORE SIGNING.**

IN CONSIDERATION of the acceptance by Modified Lite STARS Series, LLC (hereinafter Modified Lite STARS), of this membership agreement, the payment of the required fee, the issuance of a Modified Lite STARS Annual Membership Permit, by being permitted on the speedway or raceway premises of any Modified Lite STARS sanctioned event, or any of the foregoing, I, for myself, my heirs, next of kin, personal representatives, and assigns, hereby agree (in accordance with Pennsylvania law) as follows:

To comply with the Modified Lite STARS Series Official Rules and Regulations (as amended);

To abide by the decisions of the Modified Lite STARS Series Officials;

To be bound by the procedures for and results of protests and appeals, which shall be the exclusive remedy for any aggrieved driver;

To waive any right to litigate and decision of the Modified Lite STARS Officials or the results of any Modified Lite STARS event;

To release, waive, discharge, give up all my rights to sue or make claim against, and covenant not to sue Modified Lite STARS Series organization, Modified Lite STARS Officials or and other Modified Lite STARS driver and each of them from all liability to the licensed or permitted driver, his personal representatives, assigns, heirs or next to kin for any and all loss or damage and any claim or demands therefore on account of or resulting from injury to person or property or resulting in death of the licensed or permitted driver, whether caused in whole or in part by the negligence or any other wrong doing of Modified Lite STARS Series, Modified Lite STARS Series Officials, or any other Modified Lite STARS driver while the licensed or permitted driver is in or upon the speedway grounds and/or competing, observing, or for any purpose participating in the event;

To indemnify, save and hold harmless Modified Lite STARS Series, Modified Lite STARS Series Officials and other Modified Lite STARS Series drivers and each of them from any loss, liability, damage or cost they may incur due to the presence of the licensed or permitted driver in or upon the speedway grounds or in any way competing, observing or for any purpose participating in the event and whether caused in whole or part by the negligence or any other wrongdoing of Modified Lite STARS Series, Modified Lite STARS Series Officials, or Modified Lite STARS drivers or otherwise;

To assume full responsibility for and risk off bodily injury, death or property damage due in whole or in part to the negligence or any other wrongdoing of Modified Lite STARS Series, Modified Lite STARS Series Officials, and other Modified Lite STARS Series drivers while in or upon the speedway grounds and/or while competing, observing, or any purpose participating in the event;

To reimburse the attorney's fees, expert witness fees, court costs, and all other expenses incurred by Modified Lite STARS Series, and Modified Lite STARS Series Officials in any litigation commenced by or on behalf of the licensed or permitted driver, his personal representatives, assigns, or next of kin, regardless of the outcome of any such litigation;

To waive any right to jury trial;

To the exclusive jurisdiction and venue of the Court of Common Pleas of Allegheny County, Pennsylvania;

I HEREBY CERTIFY that any license or permit granted hereunder is granted for the sole purpose of enabling me to participate in the furtherance of an enterprise, a race, or other motorsports-release activity. My presence in, about, or en-route into or out of any premises where Modified Lite STARS Series sanctioned events are presented in furtherance of that Modified Lite STARS Series event.

BY MY SIGNATURE BELOW, I hereby release and assign to Modified Lite STARS Series, LLC the right to use my name, my nickname, my car number, my image, the image of my race car, and the names of my sponsors in press releases, announcements or advertisement is in the print or electronic media, in still or motion pictures, drawings or other artistic renderings, related to or depicting my participation n any Modified Lite STARS sanctioned event.

**Under the age of 18 requires legal guardian signature.**

I HAVE READ AND UNDERSTAND THE FOREGOING AND INTED TO BE LEGALLY BOUND THEREBY.

_____		_____		_____	
<b>PRINT NAME</b>		<b>SIGNATURE</b> (Under the age of 18 requires Legal guardian signature)		<b>TODAY's DATE</b>	
_____		_____		_____	
<b>STREET ADDRESS</b>		<b>CITY</b>	<b>STATE</b>	<b>ZIP CODE</b>	
_____		_____	_____	_____	
<b>E-mail</b>	<b>TELEPHONE #</b>	<b>CAR #</b>	<b>BIRTH DATE</b> (Under 18)	<b>REGION/CLUB</b>	
_____	_____	_____	_____	_____	
<b>Chassie Manufacture</b>	<b>MOTOR MANUFACTOR/YEAR</b>	<b>DISPLACEMENT</b>	<b>HOME TRACK</b>		
_____	_____	_____	_____		

**CAR OWNER/LEGAL GARDIAN**

_____		_____		_____	
<b>PRINT NAME</b>		<b>SIGNATURE</b>		<b>TODAY's DATE</b>	
_____		_____		_____	
<b>STREET ADDRESS</b>		<b>CITY</b>	<b>STATE</b>	<b>ZIP CODE</b>	
_____		_____	_____	_____	
<b>E-mail</b>	<b>TELEPHONE #</b>	<b>SPONSORS</b>			
_____	_____	_____			



2020 TECHNICAL INSPECTION SHEET

CAR # \_\_\_\_\_

CAR OWNER: \_\_\_\_\_

- 1. CAR BODY TYPE: DIRT \_\_\_\_\_ IMCA/UMP \_\_\_\_\_ CLASSIC \_\_\_\_\_
- 2. CAR HEIGHT 52" \_\_\_\_\_ BODY HEIGHT 44" \_\_\_\_\_
- 3. OUTSIDE TIRE WIDTH 60: \_\_\_\_\_ WHEELBASE 73" \_\_\_\_\_
- 4. WHEEL/TREAD WIDTH 8" MAX \_\_\_\_\_ STEEL WHEELS \_\_\_\_\_
- 5. ENGINE MODEL \_\_\_\_\_ CC DISPLACEMENT \_\_\_\_\_
- 6. SHOCKS: STEEL BODY \_\_\_\_\_ MANUFACTURE \_\_\_\_\_
- 7. BRAKES \_\_\_\_\_ BRAKE ROTORS \_\_\_\_\_
- 8. WEIGHT WITH DRIVER \_\_\_\_\_
- 9. TIRE MINIMUM 40 DUROMETER \_\_\_\_\_
- 10. CAR PASSES FREELY THROUGH HOOP \_\_\_\_\_
- 11. FUEL: GAS: \_\_\_\_\_ ALCOHOL \_\_\_\_\_ E85 \_\_\_\_\_
- 12. FUEL PRESURE GAUGE: YES / NO FUEL PRESURE \_\_\_\_\_
- 13. SEAT BELTS (2 YEARS) \_\_\_\_\_ HELMET (SNELL 2010) \_\_\_\_\_
- 14. GLOVES \_\_\_\_\_ SUIT \_\_\_\_\_ NECK/HANES DEVICE \_\_\_\_\_
- 15. RACECEIVER \_\_\_\_\_

Remarks:

\_\_\_\_\_

**Car passed inspection, STARS inspection decal applied.  
Owner signature acknowledges that items 13 & 14 meet SIF standards.**

Signed \_\_\_\_\_  
Car Owner

Signed \_\_\_\_\_  
Inspector



### INSPECTION TOOLS

1. Tire Durometer
2. Bore & Stroke Gauge
3. Race Car Scales
4. Snap-On compression gauge, part number EEPV303A, with adapters EEPV304A, EEPV306A or MT26J200, EEPV305A or with Snap-On Motorcycle Compression Gauge Set EEPV503: with adapters EEPV5G10L, EEPV5G12L and EEPV5G14L
5. 60" Wheel base width gauge
6. 73" Wheel base length gauge
7. Hoop 60 ½ " wide x 52" tall
8. Venire calipers
9. Tap measure
10. Associated tools
11. Air compressor
12. Flash light
13. Magnet
14. Small inspection mirror
15. Magnetic Degree Angle Finder
16. Inspection Scope



MODIFIED LITE STARS 2020 PROTEST FORM

Date: \_\_\_\_\_ Track: \_\_\_\_\_ Region: \_\_\_\_\_

PROTESTER DRIVER NAME: \_\_\_\_\_ CAR # \_\_\_\_\_

PROTESTER FINISHING POSITION: \_\_\_\_\_ (Must be in top 5 of feature.)

PROTESTER SIGNATURE: \_\_\_\_\_

PROTESTED DRIVER NAME: \_\_\_\_\_ CAR # \_\_\_\_\_

PROTESTED FINISHING POSITION: \_\_\_\_\_ (Must be in top 5 of feature.)

PROTESTED SIGNATURE: \_\_\_\_\_

SPECIFIC RULE PARAGRAPH NUMBER BEING PROTESTED: \_\_\_\_\_

PROTEST FEE AMOUNT: \_\_\_\_\_ (Must be paid in cash.)

MOD LITE STARS REPRESENTATIVE: \_\_\_\_\_ SIGNATURE: \_\_\_\_\_

**PROTEST FEES:**

- o All fees must be paid in cash.
- o Visible measurements \$50.00 for each measurement. Series retains \$25.00
- o Fuel Injection inspection \$50.00. Series retains \$25.00
- o \$500.00 Motor tear down top half of engine including head, cam and valve. Series retains \$250.00.
- o \$1,500.00 complete motor tear down top and bottom. Series retains \$500.00

Refund check will be mailed within three working days from the date of inspection results. Additional time will be required if inspection finding results in a disqualification and appeal.

INSPECTOR NAME: \_\_\_\_\_ SIGNATURE: \_\_\_\_\_

RESULTS OF PROTEST: \_\_\_\_\_

Final