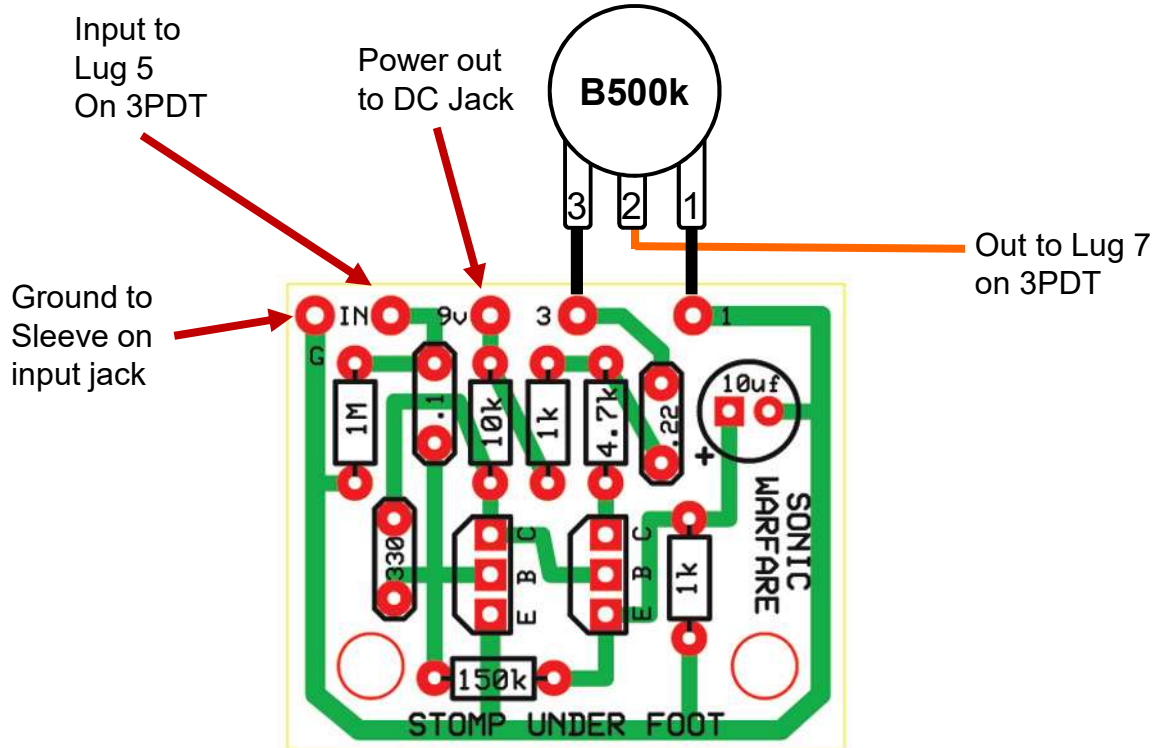


STOMP UNDER FOOT

Sonic Warfare



RESISTORS

Value (Band Colors)

- 1k (Brown, Black, Red)
- 1k (Brown, Black, Red)
- 4.7k (Yellow, Purple, Red)
- 10k (Brown, Black, Orange)
- 150k (Brown, Green, Yellow)
- 1M (Brown, Black, Green)

2k for LED (Red, Black, Red)

CAPACITORS

Value (Code)

- 330pf (331) Ceramic
- 0.1uf (104) Film
- 0.22uf (224) Film
- 10uf Electrolytic

TRANSISTORS

2N2222A

POTENTIOMETER

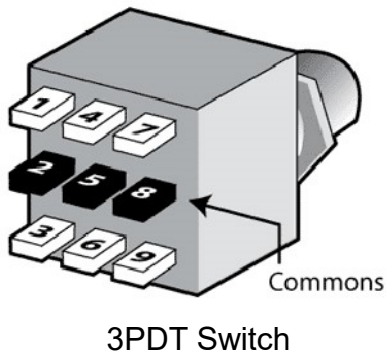
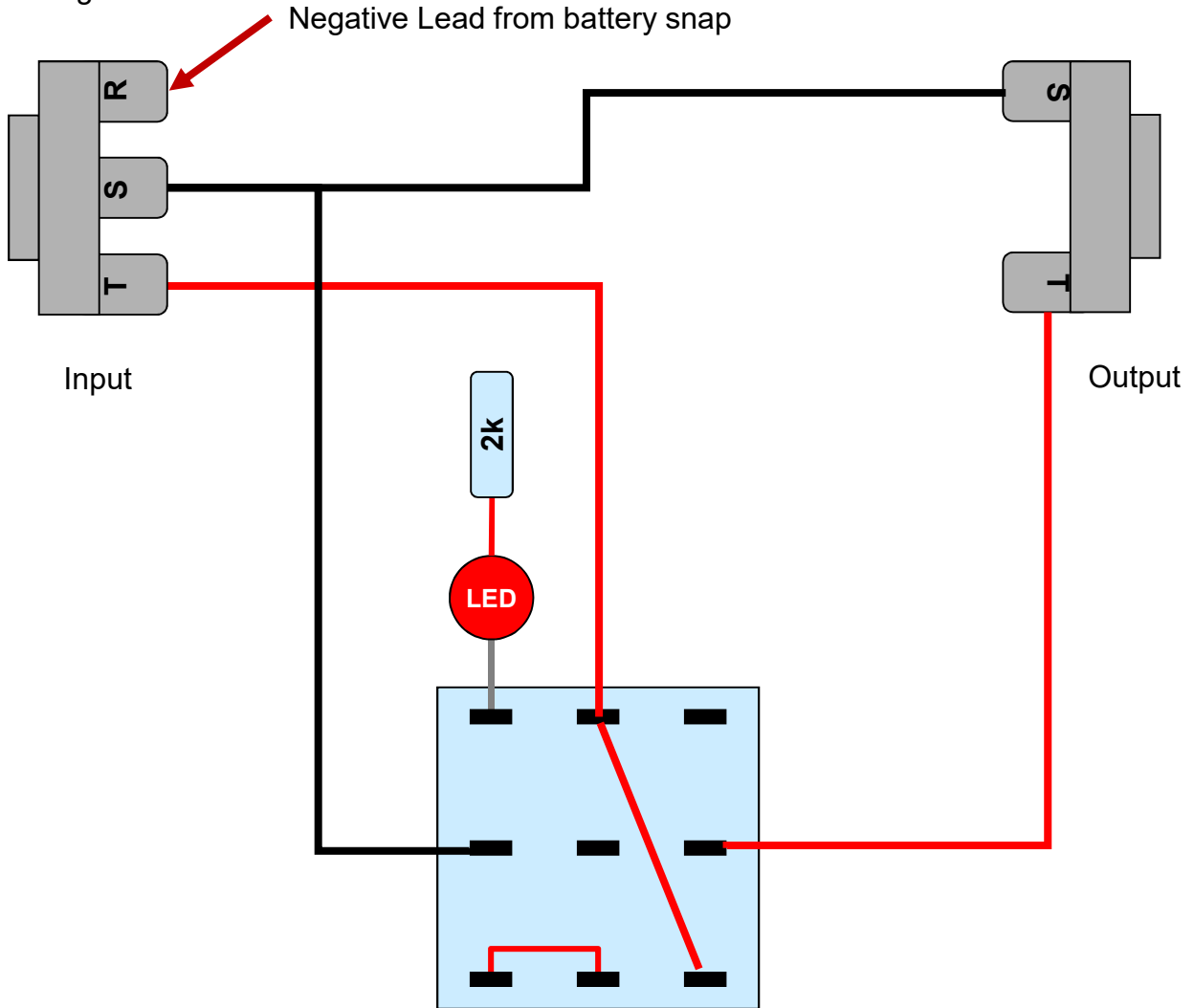
B500k

You will notice on the actual PCB it shows a 220pf capacitor and a 2k2 resistor. Those are not supplied but you can source them and use those values to make a Colorsound One-Knob Fuzz. For the Sonic Warfare use the supplied 330pf capacitor and 4k7 resistor in those places.

STOMP UNDER FOOT

Sonic Warfare

T – Tip
S – Sleeve (ground)
R - Ring

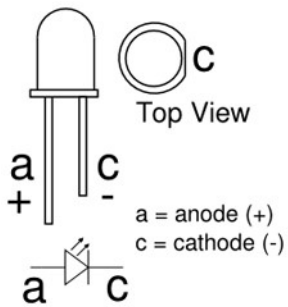


- Lug 1 – Negative lead from LED
- Lug 2 – Ground to input jack
- Lug 3 – solder a lead from one of the cut resistors to Lug 6
- Lug 4 – Out to Input Jack Tip and connect to Lug 9
- Lug 5 – Input from board
- Lug 6 – See Lug 3
- Lug 7 – Output from Lug 2 of the Potentiometer
- Lug 8 – To Tip of the Input Jack
- Lug 9 – See Lug 4

STOMP UNDER FOOT

Sonic Warfare

Solder the 2k resistor to the + side (anode) of the LED then solder a wire to go to the lug on the DC jack as shown below.



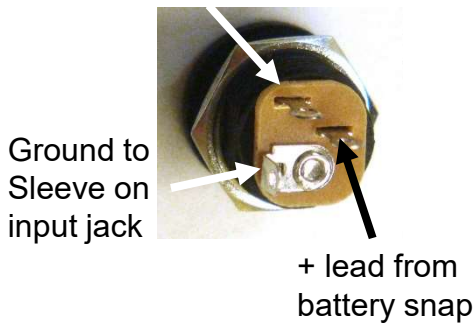
The Emitter lead is the one with the tab on the body of the transistor.



2N2222A pinout

1. Emitter
2. Base
3. Collector

9V from board and positive lead from the LED



Solder Lugs

If you have any questions you can try a Google search on making pedals.
If you still have questions you can e-mail me.

STOMP UNDER FOOT

Sonic Warfare



If you have any questions you can try a Google search on making pedals.
If you still have questions you can e-mail me.