

Pure Country Air

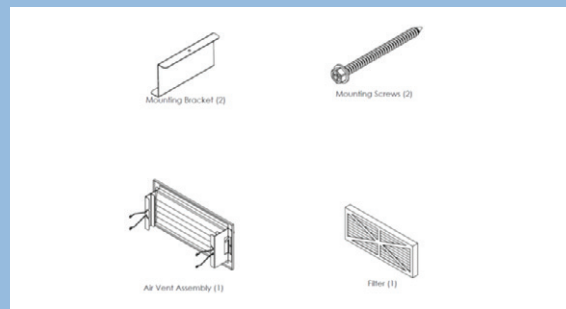
Individual room air filtration

Our patented, PCA register, is manufactured with a filter holder on the back side to filter air entering your room through your home air duct system. Your new PCA filtration system does not change the appearance of your home and does not add an additional piece of equipment that sits on your floor or table.

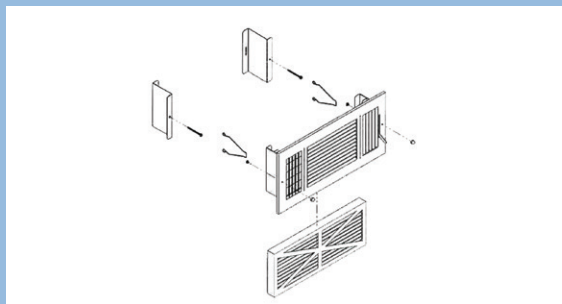
This air filtration unit fits into your existing air duct and allows the air that flows into your room to be filtered before breathing.



Register 14x6 - ready for installation



These are the parts you will receive



Easy installation - only 2 screws



Easy to change filter

Cleaner air, Low cost and Easy to install. Your room is safe, with no extra devices and no electrical plugs with trip hazards.

Email purecountryair@gmail.com Website: www.purecountryair.com

Pure Country Air, Inc. Madera, California 93638 530.567.5010



Pure Country Air Filter

Our patented home air filtration system allows you to reduce the number of dust particles that enter your room through your cooling and heating system. Instead of duct cleaning you will be able to remove the particles in your air duct before they enter your room .

Healthier Living

The Pure Country Air register is easy to install in any room where you spend a lot of time and want to breathe cleaner air. Once installed, you will be able to clean and reuse your filters regularly by simply pulling down on the front 2 screws, sliding the dirty filter out and putting in a clean filter.

It is recommended to clean your filter regularly to enhance the air flow in your room.

Your Pure Country Air register comes with your first washable filter. Additional filters may be purchased. Pure Country Air Filters are selected with the utmost concern for efficient HVAC use.

The register is designed to provide extra filtration of the air in a particular room or area of your home where you want the cleanest air possible. It is not designed to be installed on all the registers in your home. The filter will help remove any particles that the main filter missed. However, no household filter will remove all particles. Since HVAC systems are designed to work with a certain amount of air flow, installation of too many Pure Country Air filter registers may reduce system performance and potentially damage your HVAC system. Since each home HVAC system is different, you should consult with a licensed HVAC contractor to determine the number of registers that can safely be installed in your home.