

MEDITEK[®] SonneMed

Perfekte Verbindung!

Perfect connection

GERMAN Technology

Central Medical Gas Pipeline Solutions



#Smart Solutions...
...since 1953!

Sri Shy Medical Private Limited

A 219
Road No.6
Mahipalpur NH-8
New Delhi-110037 INDIA

www.sonnemed.de info@sonnemed.de
www.sngindia.org
customercare@sngindia.org
Mob. : +91 98100 07700





MEDITEK® SonneMed

Perfekte Verbindung!

Perfect connection

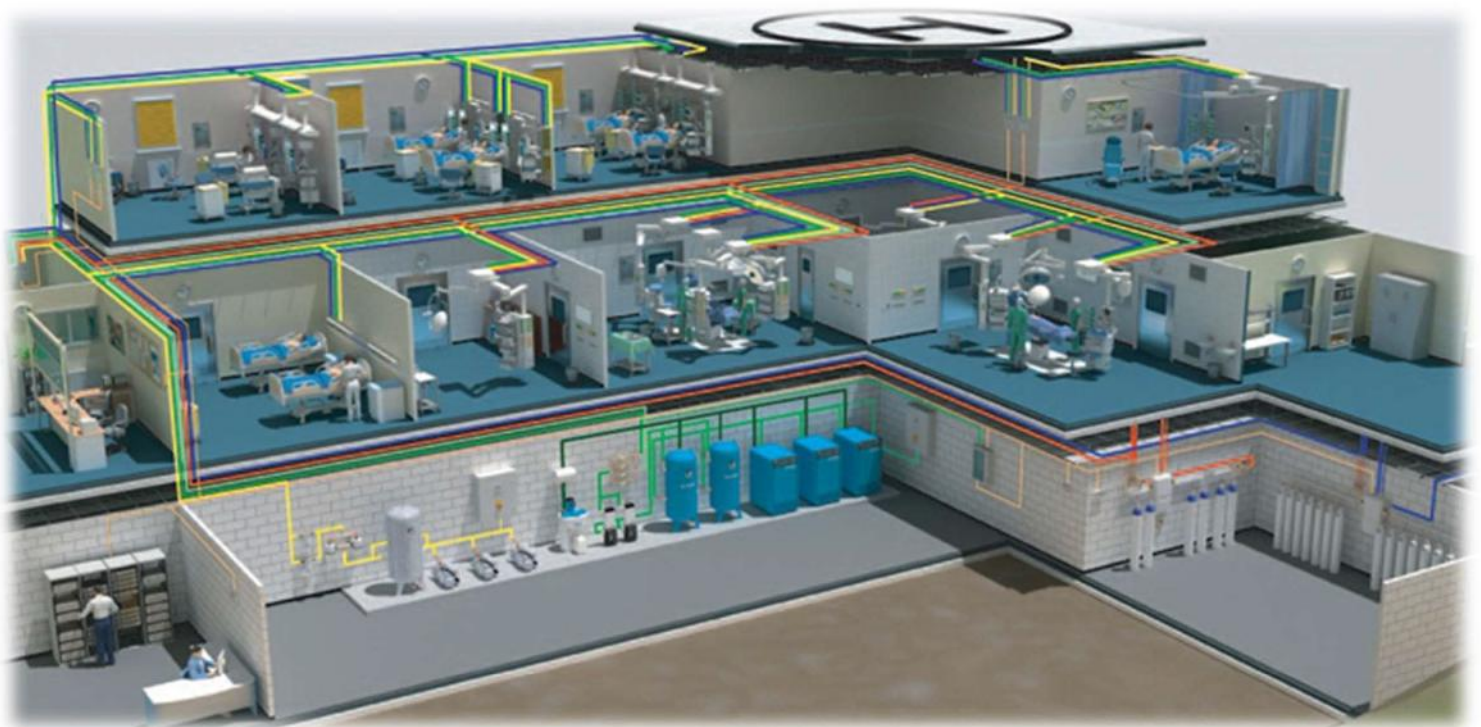
GERMAN Technology

In a healthcare facility, the CMGPS is life-supporting element that has direct influence on maintaining the life of a patient. The medical gases supplied through the CMGPS should be clean, pure and supplied under stable pressure.

MEDITEK® CMGPS covers complete pipeline for *Oxygen, Suction, Compressed Air, Carbon Dioxide & Nitrous Oxide* and conforms to best National & International regulations, compliances and standards [DIN, NFPA, HTM, BS, EN & ISO etc. as applicable].

The CMGPS components include:

- *Gas Manifold Systems*
- *Gas Line Management Solutions including Area Valve Boxes & Service Units, Medical Gas Alarm Units & Isolation Valves*
- *Gas Delivery Solutions including Medical Grade Copper Pipes & fittings, Medical Gas Outlets, Ceiling Supply pendants, Over Bed Panels*
- *Control Panels*
- *Vacuum System*
- *Compressed Air System*
- *Anaesthetic-gas Scavenging System etc*



All specifications, models, versions shown are indicative, representative & approximate, and are subject to change without any prior notice with exclusive discretion of the company.



Srishty Medical Private Limited

A 219
Road No.6
Mahipalpur NH-8
New Delhi-110037 INDIA

www.sonnemed.de info@sonnemed.de
www.sngindia.org
customer@care@sngindia.org
Mob. : +91 98100 07700





MEDITEK[®] SonneMed

Perfekte Verbindung!

Perfect connection

GERMAN Technology

Medical Gas Manifold Systems



Manual Manifold System consists of the main gas delivery bank and the emergency reserve bank. Once the primary bank is depleted of its gas, the same will be turned off manually & switch over to the reserve bank manually for reactivating the gas flow.

Semi-Automatic Manifold System consists of the primary bank and the emergency reserve bank. When the pressure in the primary cylinder bank reduces to the pre-set value, the changeover takes place automatically to provide continuous supply of gas from the reserve bank. The priority handle should be manually switched during cylinder change.



Automatic Manifold System is designed to provide an uninterrupted gas supply without any manual adjustments. This system automatically changes over when the primary cylinder bank is depleted. Even in case of power failure, the system continues to supply gas without interruption.



Digital Automatic Manifold System monitors cylinder bank pressure electronically, automatically changes over to secondary bank when the primary cylinder bank is depleted, and eliminates the need to manually set a priority side. The Touch Screen enables easy control and monitoring.

Standard Features

- 60mm flexible high pressure stainless steel braided pigtailed with check valve. Rigid copper pigtailed are available as an option. Pigtailed for Acetylene models are equipped with dry flashback arrestor.
- Relief valve at outlet for protecting downstream piping.
- Style
- Silver brazing on piping joints for maximum leak prevention
- Designed for future expansion
- Pressure switch port
- Wall / Stand Mounted
- Unique Automatic changeover system for uninterrupted supply of gas from primary and emergency reserve banks
- Automatic Switch off when gas is depleted
- Works in case of Power Failure

Manual Manifold

-
-
- Open
-
-
-
-
-
-
-

Semi-Automatic Manifold

-
-
- Open
-
-
-
-
-
-
-

Automatic Manifold

-
-
- Open
-
-
-
-
-
-
-

All specifications, models, versions shown are indicative, representative & approximate, and are subject to change without any prior notice with exclusive discretion of the company.



Srishty Medical Private Limited

A 219
Road No.6
Mahipalpur NH-8
New Delhi-110037 INDIA

www.sonnemed.de info@sonnemed.de
www.sngindia.org
customer@care@sngindia.org
Mob. : +91 98100 07700





Medical Gas Line Management Systems: Isolation & Area Service Units



Area / Zone Valve Box Unit

Zone Valve Boxes are mainly used in medical pipelines to allow maintenance of individual zones without disturbing the gas flow to other zones. In case of emergencies, zone valve boxes can also be used to shutoff of gas distribution to individual zones. A single box can hold from 1 to 6 valves, allowing control of 6 types of gas. All boxes are pre-assembled with the smallest valve at the top & largest at the bottom.

- Available for 1 to 6 gases
- 2mm steel valve box
- Suitable for 12.5mm to 50mm valves
- Pre-installed copper tubing extensions
- Full port valves for high flow
- With Gauges
- Complies with NFPA 99 / DIN requirements
- Cleaned for oxygen service



Area / Zone Valve Service Unit

In case of emergencies, zone valve service units can be accessed for servicing and can also be used to shutoff of gas distribution to individual zones. A single box can hold from 1 to 6 valves, allowing control of 6 types of gas. All boxes are pre-assembled. The unit houses the shut-off valve and check valve with NIST connection. Easy to operate and maintain with Steel enclosure for durability. Pressure gauges included to provide accurate reading of pressure.

- Available for 1 to 6 gases
- 2mm steel valve box
- Suitable for 12.5mm to 50mm valves
- pre-installed copper tubing extensions
- With Gauges
- Complies with the units are HTM 02-01 requirements
- Cleaned for oxygen service



Gas Control Panel

Designed for surgical tools and equipment, the control panel has diaphragm-sensed regulator ensures a consistent outlet pressure. CGA specified inlet connection, with 1/4 turn shut-off stainless steel ball valve rated at minimum 300psi. Two pressure gauges 0-400psi 50mm dia. to monitor inlet & outlet pressures. The regulators are adjustable [0 – 300psi]. The DISS outlet with index safety for Air / Nitrogen outlets for pressure above 200psi.

NFPA 99 compliant

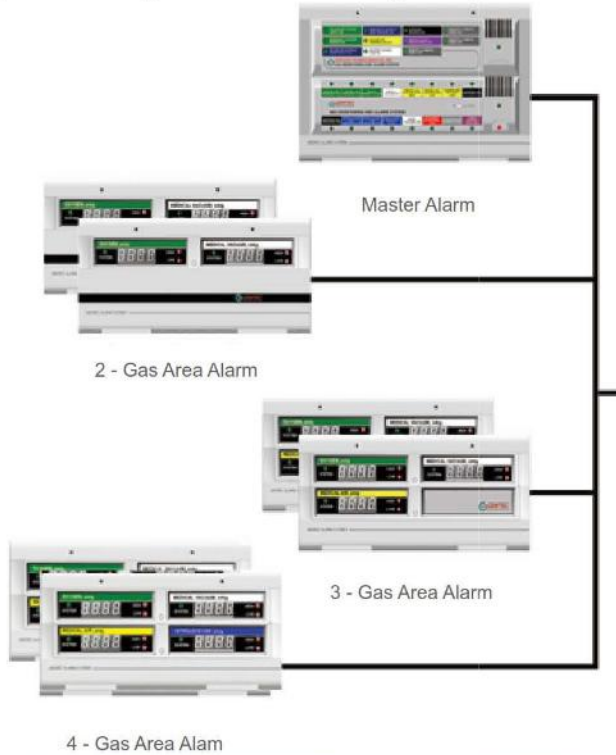
All specifications, models, versions shown are indicative, representative & approximate, and are subject to change without any prior notice with exclusive discretion of the company.





Medical Gas Line Management Systems: Area & Master Alarm Systems

SonneMed offers is a highly modular system utilizing the most advanced technologies in electronics and software. Accepts all 4-20mA and voltage signals and the monitor can be customized reading or alarm conditions such as humidity, temperature, concentration levels, and flow rates in addition to typical pressure readings. Medical Gas Line Management system alarm series complies with the latest edition of NFPA 99 and HTM 02-01.



Medical Gases Master / Area Alarm - Standard

This master device can continuously monitor & audio alarm when the alarm limit is reached.



Medical Gases Master Alarm

This master device can continuously monitor status of up to 14 points. Audio & Colour indicators [Grey for Normal, Yellow for Caution and Red when the alarm limit is reached.



Medical Gases Combination Alarm

The combination Alarm device can monitor dry and digital gas sensor modules and 4-20mA transducers as and an area alarm as well as master alarm displayed on the Touch Screen.



Medical Gases Alarm

The device is capable of continuous monitoring of up to eight gas sensor modules. The measurement parameters are programmable for each gas in psi, mmHg, kPa, MPa or bar. With adjustable for lower and upper limit alarm values.

Features

- Front Panel constructed of metal alloy and ABS
- Optional 25cms Resistive Touch Panel for TS version & digital display for Standard version
- Adjustable alarm volume
- Analog/Digital Input Channels & analogue output channels
- NFPA99 Compliant
- Networking Capabilities
- Events & Trends Log
- Service Forecast
- Built-in Menu for Alarm conditions
- Optional connect via VNC apps for smartphone and tablet

Alarm Type	Transducers	Number of Gases	Gas Type	Relay Inputs
A: Area Alarm	P: Remote L: Local	1: 1 Gas 2: 2 Gases 3: 3 Gases 4: 4 Gases 5: 5 Gases 6: 6 Gases 7: 7 Gases 8: 8 Gases	O: Oxygen V: Vacuum A: Medical Air 2: Nitrous Oxide C: Carbon Dioxide N: Nitrogen I: Instrument Air W: WAGD/AGSS	Blank: None
C: Combination Alarm				
D: Master Alarm	Blank: None	Blank: None	Blank: None	1: 1 Input 2: 2 Inputs 14: 14 Inputs

All specifications, models, versions shown are indicative, representative & approximate, and are subject to change without any prior notice with exclusive discretion of the company.





MEDITEK[®] SonneMed

Perfekte Verbindung!

Perfect connection

GERMAN Technology

Medical Gas Terminal Outlets



German / British / Japanese Medical Gas Outlets

Round-faced Pressure Lid Outlets

- Color-coded for easy gas service identification
- Modular structure, convenient maintenance
- German (DIN) Gas Outlet is CE listed and compliant with EN ISO 9170-1 and DIN 13620-2
- British (BS) Gas Outlet is CE listed and compliant with HTM 02-01, ISO 9170-1 and BS 5682
- Japanese (JIS) Gas Outlet is compliant with EN ISO 9170-1 and JIS T 7101

O₂

N₂O

CO₂

AIR

VACUUM

AGSS



All specifications, models, versions shown are indicative, representative & approximate, and are subject to change without any prior notice with exclusive discretion of the company.



Sri Shiksha Medical Private Limited

A 219
Road No.6
Mahipalpur NH-8
New Delhi-110037 INDIA

www.sonnemed.de info@sonnemed.de
www.sngindia.org
customer@sonnemed.de
Mob. : +91 98100 07700





MEDITEK[®] SonneMed

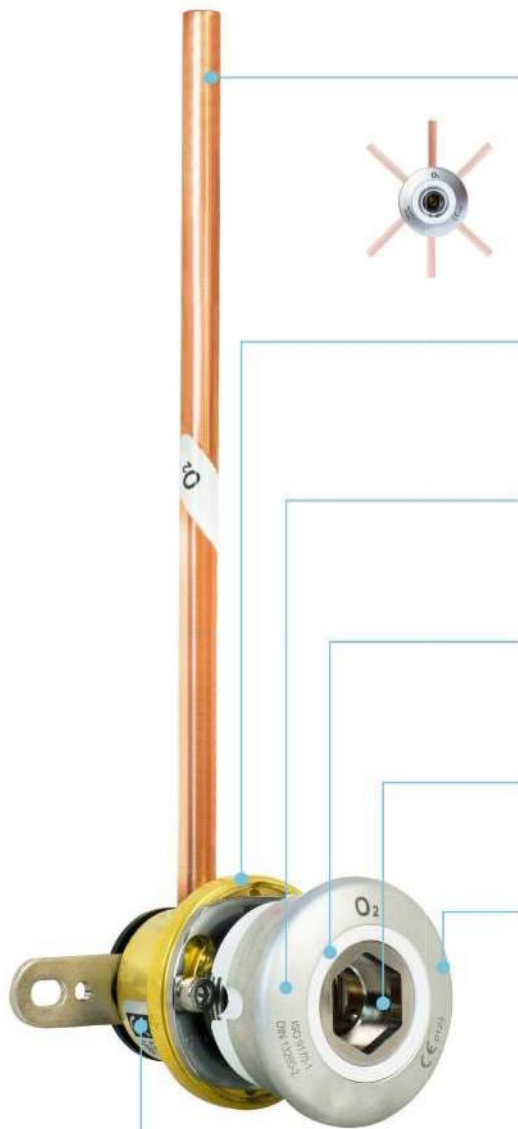
Perfekte Verbindung!

Perfect connection

GERMAN Technology

Specifications

SonneMed gas outlets are designed for delivery of medical gas from a central pipeline system. These outlets are 100% individually tested for leaks to ensure safety. The outlets are designed with safety in mind and comply fully with ISO 9170-1. Outlets are manufactured in an ISO 9001: 2008 and ISO 13485 registered facility.



The Inlet Pipe

- Base block allows for the inlet pipe to be installed in 6 different directions for ease of installation
- Multiple connections available:
 - 90° tubing, 180° tubing,
 - 90° hose barb, 180° hose barb,
 - 90° M14 thread, 180° M14 thread

Body

- Durable high quality forged brass body
- The sealing ring can be replaced without interrupting gas service to other outlets

Isolation Valve (In Built)

- All outlets are incorporated with in built isolation valve for serviceability

Gas Service Indication Ring

- Uses color code for differentiating gas service

Gas Specific Indexing

- Prevents interchanging of gas service

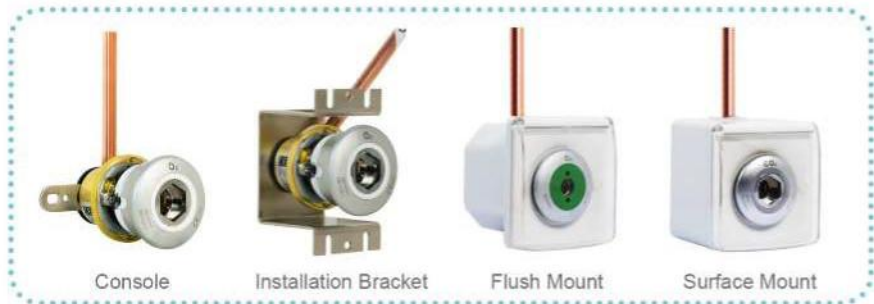
Pressure Lid

- Manufactured from high quality aluminum alloy
- Matte Chrome plating protects against oxidation and corrosion
- Laser engraved markings



Base Block

- High quality forged brass



All specifications, models, versions shown are indicative, representative & approximate, and are subject to change without any prior notice with exclusive discretion of the company.



Srishty Medical Private Limited

A 219
Road No.6
Mahipalpur NH-8
New Delhi-110037 INDIA

www.sonnedmed.de info@sonnedmed.de
www.sngindia.org
customer@care@sngindia.org
Mob. : +91 98100 07700





MEDITEK[®] SonneMed

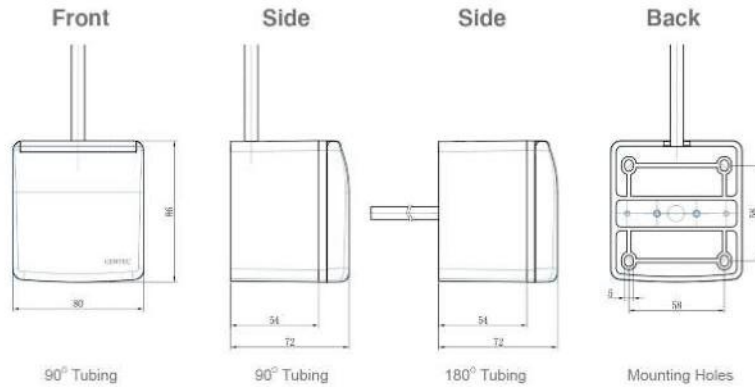
Perfekte Verbindung!

Perfect connection

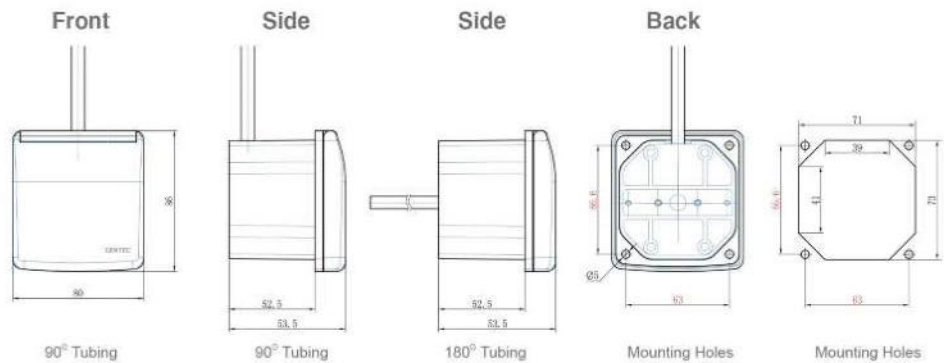
GERMAN Technology

Dimensions units in millimeter(s)

Surface Mount



Flush Mount



Repair Schematics



1. Pull the pressure lid off



2. Loosen the two retaining bolts 2-3 mm



3. Pull out the body at an angle



4. Replace the sealing ring without disassembling the panel mount

All specifications, models, versions shown are indicative, representative & approximate, and are subject to change without any prior notice with exclusive discretion of the company.



Sri Shy Medical Private Limited

A 219
Road No.6
Mahipalpur NH-8
New Delhi-110037 INDIA

www.sonnemed.de info@sonnemed.de
www.sngindia.org
customer@care@sngindia.org
Mob. : +91 98100 07700



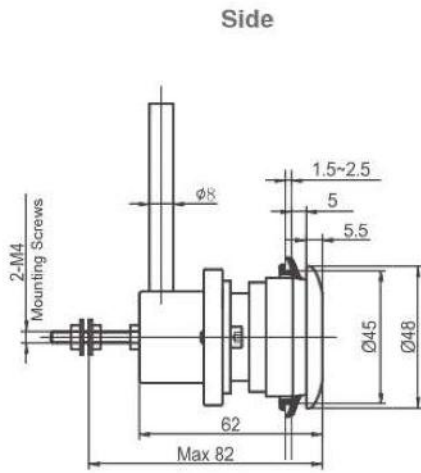


MEDITEK[®] SonneMed

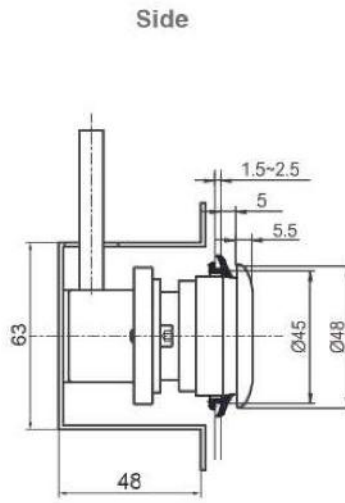
Perfekte Verbindung!

Perfect connection

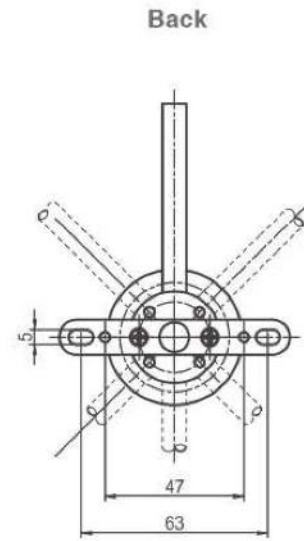
GERMAN Technology



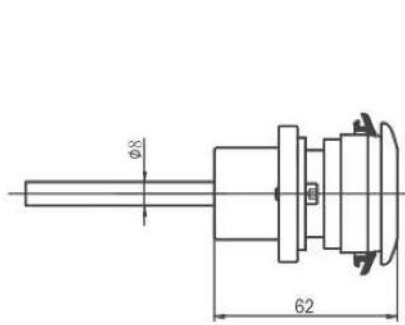
90° Tubing



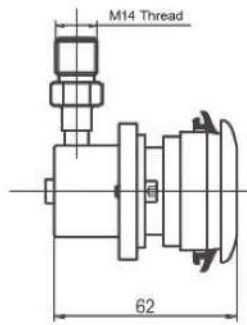
90° Tubing with Installation Bracket



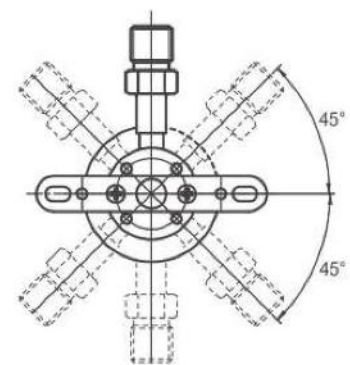
90° Tubing with Console Plate



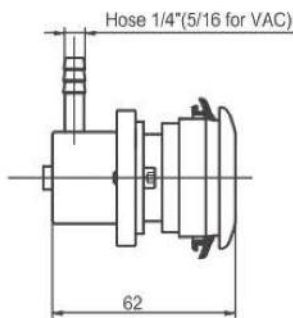
180° Tubing



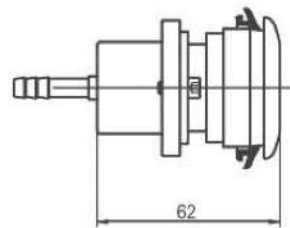
90° M14 Thread



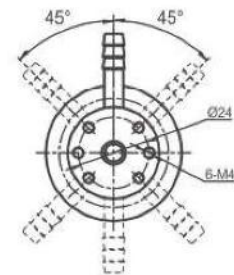
90° M14 Thread with Console Plate



90° Hose Barb



180° Hose Barb



90° Hose Barb

Medical Bed Head Panels

All specifications, models, versions shown are indicative, representative & approximate, and are subject to change without any prior notice with exclusive discretion of the company.



#Smart Solutions...
...since 1953!

Srihty Medical Private Limited

A 219
Road No.6
Mahipalpur NH-8
New Delhi-110037 INDIA

www.sonnemed.de info@sonnemed.de
www.sngindia.org
customer@sonnemed.de
Mob. : +91 98100 07700



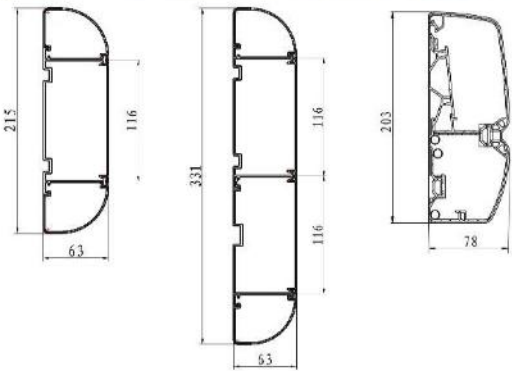


MEDITEK® SonneMed

Perfekte Verbindung!

Perfect connection

GERMAN Technology



Bed Head Panels

Bed Head panels made of extruded aluminium with separate channels for electrical and gases lines. The lengths can be customised per hospital's needs. Each Bed Head Panel comes with provisions for electrical outlets, gas outlets, telephone, nurse call systems and others as per requirement of the care givers.



Other Accessories

Outlet connection probes & blocks



Flow-meters



Ward Vacuum Units



Theatre Vacuum Units



All specifications, models, versions shown are indicative, representative & approximate, and are subject to change without any prior notice with exclusive discretion of the company.



Srihty Medical Private Limited

A 219
Road No.6
Mahipalpur NH-8
New Delhi-110037 INDIA

www.sonnemed.de info@sonnemed.de
www.sngindia.org
customer@care@sngindia.org
Mob. : +91 98100 07700

