


<sup>®</sup>  
**MACKIE**

# SRM450 ACTIVE SOUND REINFORCEMENT MONITOR USER'S MANUAL AND WARRANTY REGISTRATION



	<b>CAUTION AVIS</b> <b>RISK OF ELECTRIC SHOCK</b> <b>DO NOT OPEN</b> <b>RISQUE DE CHOC ELECTRIQUE</b> <b>NE PAS OUVRIR</b>	
<b>CAUTION: TO REDUCE THE RISK OF ELECTRIC SHOCK</b> <b>DO NOT REMOVE COVER (OR BACK)</b> <b>NO USER-SERVICEABLE PARTS INSIDE</b> <b>REFER SERVICING TO QUALIFIED PERSONNEL</b> <b>ATTENTION: POUR EVITER LES RISQUES DE CHOC</b> <b>ELECTRIQUE, NE PAS ENLEVER LE COUVERCLE. AUCUN</b> <b>ENTRETIEN DE PIECES INTERIEURES PAR L'USAGER. CONFIER</b> <b>L'ENTRETIEN AU PERSONNEL QUALIFIE.</b> <b>AVIS: POUR EVITER LES RISQUES D'INCENDIE OU</b> <b>D'ELECTROCUTION, N'EXPOSEZ PAS CET ARTICLE</b> <b>A LA PLUIE OU A L'HUMIDITE</b>		



The lightning flash with arrowhead symbol within an equilateral triangle is intended to alert the user to the presence of uninsulated "dangerous voltage" within the product's enclosure that may be of sufficient magnitude to constitute a risk of electric shock to persons.  
*Le symbole éclair avec point de flèche à l'intérieur d'un triangle équilatéral est utilisé pour alerter l'utilisateur de la présence à l'intérieur du coffret de "voltage dangereux" non isolé d'ampleur suffisante pour constituer un risque d'électrocution.*



The exclamation point within an equilateral triangle is intended to alert the user of the presence of important operating and maintenance (servicing) instructions in the literature accompanying the appliance.  
*Le point d'exclamation à l'intérieur d'un triangle équilatéral est employé pour alerter les utilisateurs de la présence d'instructions importantes pour le fonctionnement et l'entretien (service) dans le livret d'instruction accompagnant l'appareil.*

## SAFETY INSTRUCTIONS

- 1. Read Instructions** — All the safety and operation instructions should be read before this Mackie product is operated.
- 2. Retain Instructions** — The safety and operating instructions should be kept for future reference.
- 3. Heed Warnings** — All warnings on this Mackie product and in these operating instructions should be followed.
- 4. Follow Instructions** — All operating and other instructions should be followed.
- 5. Water and Moisture** — This Mackie product should not be used near water — for example, near a bathtub, washbowl, kitchen sink, laundry tub, in a wet basement, near a swimming pool, swamp or salivating St. Bernard dog, etc.
- 6. Ventilation** — This Mackie product should be situated so that its location or position does not interfere with its proper ventilation. For example, the Component should not be situated on a bed, sofa, rug, or similar surface that may block any ventilation openings, or placed in a built-in installation such as a bookcase or cabinet that may impede the flow of air through ventilation openings.

## PORTABLE CART WARNING



Carts and stands - The Component should be used only with a cart or stand that is recommended by the manufacturer. A Component and cart combination should be moved with care. Quick stops, excessive force, and uneven surfaces may cause the Component and cart combination to overturn.

**7. Heat** — This Mackie product should be situated away from heat sources such as radiators, or other devices which produce heat.

**8. Power Sources** — This Mackie product should be connected to a power supply only of the type described in these operation instructions or as marked on this Mackie product.

**9. Power Cord Protection** — Power supply cords should be routed so that they are not likely to be walked upon or pinched by items placed upon or against them, paying particular attention to cords at plugs, convenience receptacles, and the point where they exit this Mackie product.

**10. Object and Liquid Entry** — Care should be taken so that objects do not fall into and liquids are not spilled into this Mackie product.

**11. Damage Requiring Service** — This Mackie product should be serviced only by qualified service personnel when:

- A.** The power-supply cord or the plug has been damaged; or
- B.** Objects have fallen, or liquid has spilled into this Mackie product; or
- C.** This Mackie product has been exposed to rain; or
- D.** This Mackie product does not appear to operate normally or exhibits a marked change in performance; or
- E.** This Mackie product has been dropped, or its chassis damaged.

**12. Servicing** — The user should not attempt to service this Mackie product beyond those means described in this operating manual. All other servicing should be referred to the Mackie Service Department.

**13.** To prevent electric shock, do not use this polarized plug with an extension cord, receptacle or other outlet unless the blades can be fully inserted to prevent blade exposure.

*Pour prévenir les chocs électriques ne pas utiliser cette fiche polarisée avec un prolongateur, un prise de courant ou une autre sortie de courant, sauf si les lames peuvent être insérées à fond sans laisser aucune partie à découvert.*

**14. Grounding or Polarization** — Precautions should be taken so that the grounding or polarization means of this Mackie product is not defeated.

**15.** This apparatus does not exceed the Class A/Class B (whichever is applicable) limits for radio noise emissions from digital apparatus as set out in the radio interference regulations of the Canadian Department of Communications.

*ATTENTION — Le présent appareil numérique n'émet pas de bruits radioélectriques dépassant les limites applicables aux appareils numériques de class A/de class B (selon le cas) prescrites dans le règlement sur le brouillage radioélectrique édicté par les ministere des communications du Canada.*

**WARNING** — To reduce the risk of fire or electric shock, do not expose this appliance to rain or moisture.



## Lend Me Your Ears

Exposure to extremely high noise levels may cause permanent hearing loss. Individuals vary considerably in susceptibility to noise-induced hearing loss, but nearly everyone will lose some hearing if exposed to sufficiently intense noise for a period of time. The U.S. Government's Occupational Safety and Health Administration (OSHA) has specified the permissible noise level exposures shown in this chart.

According to OSHA, any exposure in excess of these permissible limits could result in some hearing loss. To ensure against potentially dangerous exposure to high sound-pressure levels, it is recommended that all persons exposed to equipment capable of producing these levels use hearing protectors while this unit is in operation. Ear plugs or protectors in the ear canals or over the ears must be worn when operating this amplification system in order to prevent a permanent hearing loss if exposure is in excess of the limits set forth here.

<b>Duration Per Day In Hours</b>	<b>Sound Level dBA, Slow Response</b>	<b>Typical Example</b>
8	90	Duo in small club
6	92	
4	95	Subway Train
3	97	
2	100	Very loud classical music
1.5	102	
1	105	Patrice screaming at Ron about deadlines
0.5	110	
0.25 or less	115	Loudest parts at a rock concert



The SRM450 can produce a maximum SPL of 123 dB @ 1m

## CONTENTS

INTRODUCTION .....	4	CONNECTIONS .....	10
HOOKUP DIAGRAMS .....	6	PLACEMENT .....	10
Quick Start .....	6	RIGGING .....	11
REAR PANEL DESCRIPTION .....	8	THERMAL CONSIDERATIONS .....	12
1 IEC Socket .....	8	AC POWER CONSIDERATIONS .....	12
2 POWER Switch .....	8	SERVICE INFORMATION .....	14
3 POWER ON Indicator .....	8	Warranty Service .....	14
4 TIMED TURNOFF .....	8	Troubleshooting .....	14
5 THERMAL Indicator .....	8	Repair .....	16
6 CONTOUR .....	9	CARE AND MAINTENANCE .....	16
7 LOW CUT .....	9	SPECIFICATIONS .....	17
8 LEVEL .....	9	BLOCK DIAGRAM .....	18
9 SIGNAL PRESENT Indicator .....	9	SRM450 LIMITED WARRANTY .....	19
10 PEAK Indicator .....	9		
11 INPUT Connector .....	9		
12 THRU Connector .....	9		
13 ACCESSORY Plate .....	9		

Don't forget to visit our website at [www.mackie.com](http://www.mackie.com) for more information about these and other Mackie products.



# INTRODUCTION

Thank you for choosing Mackie Designs' active sound reinforcement monitors.

The SRM450 is an active two-way loudspeaker system capable of extremely high sound pressure levels, and designed to give you the best performance of any loudspeaker in its class and price range.

Our design goal was to build a sound reinforcement monitor with the same fidelity and flat frequency response found in our renowned HR824 studio monitors. We think you'll agree that the SRM450 sound quality and accuracy reaches this goal and more. The result is a sound reinforcement system worthy of the name "Monitor," equally at home in a concert setting, in the studio, impromptu concerts on the studio roof, in the cinema, or in a home theater.

Mackie Designs' entry into the sound reinforcement loudspeaker market began with the acquisition, in June of 1998, of Radio Cine Forniture (RCF), headquartered in Reggio Emilia, Italy. RCF has a long tradition in developing speaker technology for the high-end pro-audio market.

## The Transducers

The SRM450 active monitors feature a 12" high-power low-frequency woofer and a 1.75" titanium diaphragm high-output precision compression driver. This high frequency driver is mounted on an acoustically non-resonant exponential waveguide, providing a wide, controlled dispersion and precise reproduction of the critical upper mid-range and high frequencies. The result is an unbelievably smooth off-axis response that allows everyone in the audience to experience the same high-resolution audio no matter where they are seated.

Each driver has been specifically designed by our engineers for optimum performance in the lightweight high-strength cabinet.

## FR Series Power Amplifiers

To power these beautiful things, each SRM450 includes two of our acclaimed FR Series "Fast Recovery" power amplifiers. Our exclusive design uses low negative feedback, yet allows the amplifiers to maintain low distortion and stability and to quickly recover when driven into clipping.

The amplifiers include the following features:

- The low-frequency amplifier produces up to 540 watts peak (300 continuous) before clipping.
- The high-frequency amplifier produces up to 150 watts peak (100 continuous) before clipping.
- Each amplifier has its own compressor circuit that acts when the input signal is large enough to cause clipping, distortion and excessive voice coil heat. The compressor will automatically decrease the input signal to a safe level. The compressor in the low-frequency amp works independently from that in the high-frequency amp.
- The low-frequency amp uses a servo feedback loop which senses the current flowing in the woofer coil. This controls the low-frequency response and maintains low distortion at high output levels.
- The low-frequency amplifier also has a sweeping filter. This will automatically move the low cut-off frequency up or down depending on the amplifier output. For example, if the amplifier is below clipping, the low-frequency cut-off point is 55Hz. As it approaches clipping, this shifts up smoothly to 120Hz, providing more power reserves and less distortion before clipping. This happens quickly and continuously, protecting the amplifier and the woofer and reducing any noticeable distortion.



**Warning:** Although the amplifiers have these protection circuits, you must still make sure the PEAK light is not blinking often or continuously. If it is, turn down your mixer faders, or preamplifier gain, or turn down the SRM450 LEVEL control.

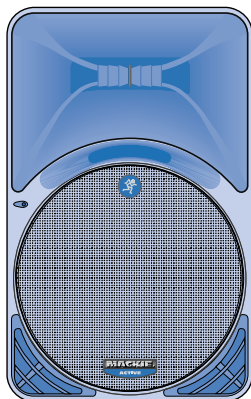
## The Crossover

The built-in electronic crossover is a 24 dB/octave Linkwitz-Riley design. Although more expensive than other crossover designs, the benefits provided by the Linkwitz-Riley design have been well documented. These benefits include:

- Absolutely flat frequency response throughout the bandpass, without the characteristic ripple near the crossover point exhibited by other designs.
- The sharp 24 dB per octave roll-off of the filters ensures that the transducers aren't reproducing frequencies outside of their capabilities.
- The acoustic sum of the two driver responses is unity at the crossover frequency, resulting in perfect power response.
- Our heroic engineers have worked carefully to ensure that the SRM450 also provides perfect phase response. This diligence has yielded phenomenal accuracy, even if you are standing 20 feet away.

## The Cabinet

The SRM450 cabinet was designed to be the strongest molded composite cabinet on the planet. This material is as strong as concrete, and rigid enough to prevent unwanted vibrations in the cabinet. It has built-in fly points for hanging, and a socket in the bottom for mounting on a tripod stand. Although it is an exceptional choice for installed sound situations, its light weight and durable finish also make it ideal for portable sound system use. The asymmetrical trapezoidal design of the cabinet makes it easy to use as a floor wedge for stage monitor applications.



## The Active Advantage

There are a number of advantages to using an active speaker system over a passive loudspeaker:

- The internal crossover is active, and its low power circuitry operates on line-level signals. It does not waste speaker-level power like a passive crossover with large coils, caps, and resistors.
- The input signals are crossed over before they reach the amplifiers, so each amplifier only receives the correct frequency range for its driver.
- The amplifiers are designed specifically for these speaker load impedances. There is no guesswork as to what load each amplifier has to drive, so they can provide maximum acoustic output from the speakers, yet minimize the danger of speaker damage due to overdriving a lesser amplifier.
- The connecting wires between the amplifier outputs and the drivers are kept to a minimum, so the damping factor of the amplifier isn't compromised by the resistance of long speaker cables. In addition, all the power from the amplifier is transferred directly to the drivers with no speaker cable losses.
- The acoustic sum of the outputs from the two drivers is optimized electronically, as well as physically, so the amplitude response is flat and there is no lobing error.
- The presence of active circuits within the speaker cabinet allow the designer to add on extra details, such as a high quality mic/line input section and optional accessory modules.

In short, all the complex interconnected components in the system are designed to work in harmony with each other to produce the best possible sound. (Even for Uncle Bert's star performance on spoons!)



# HOOKUP DIAGRAMS

## Quick Start

1. Start with the following settings on the back of the SRM450:

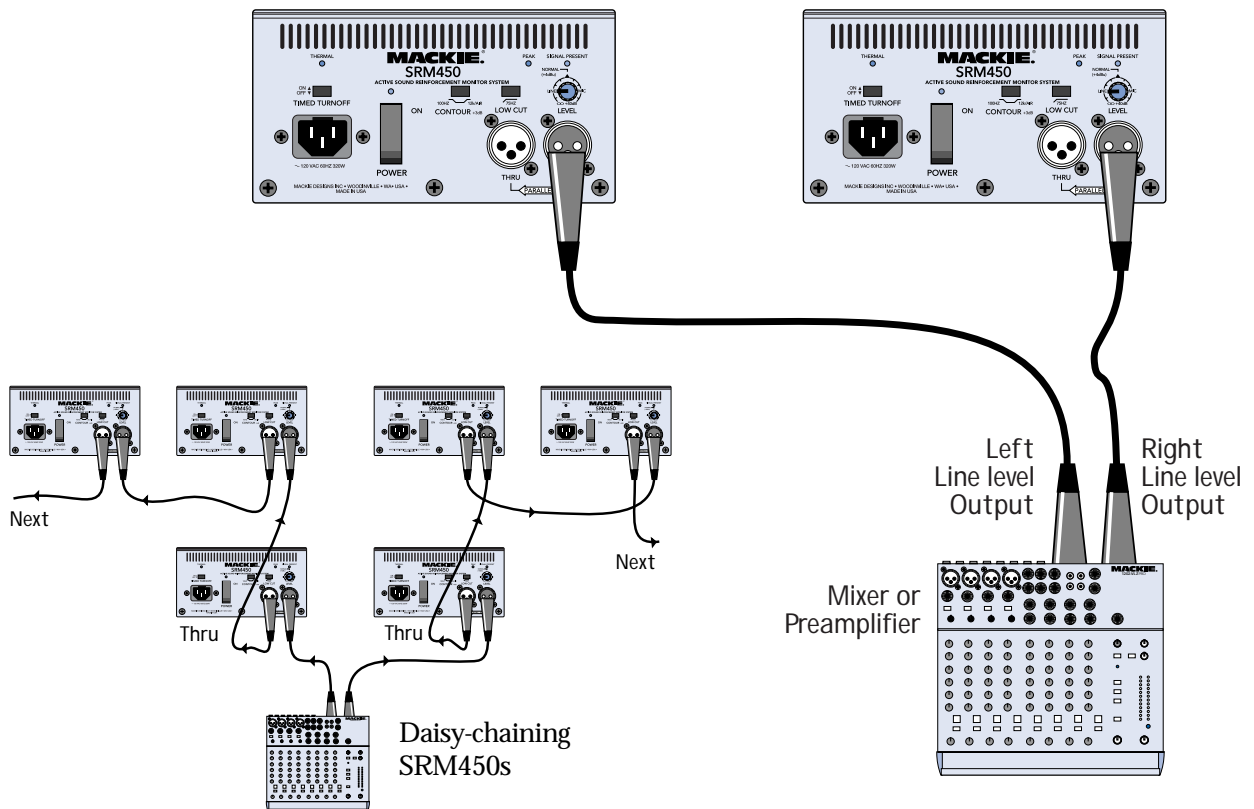
Turn the POWER switch off (down).  
Set the TIMED TURNOFF, CONTOUR,  
and LOW CUT switches out.



**WARNING:** Turn the LEVEL control down (counterclockwise) before every use. If not, you could be in for a startling surprise, especially if the last time you used it was with a microphone and now you want to connect a line-level source.

2. Connect the output from your signal source (mixing console, microphone, preamp, or other mic- or line-level source) directly to the INPUT connector on the back of the SRM450. It accepts balanced line-level signals from mixers, preamplifiers, CD players, tape decks, etc., and accepts direct connections from dynamic microphones.

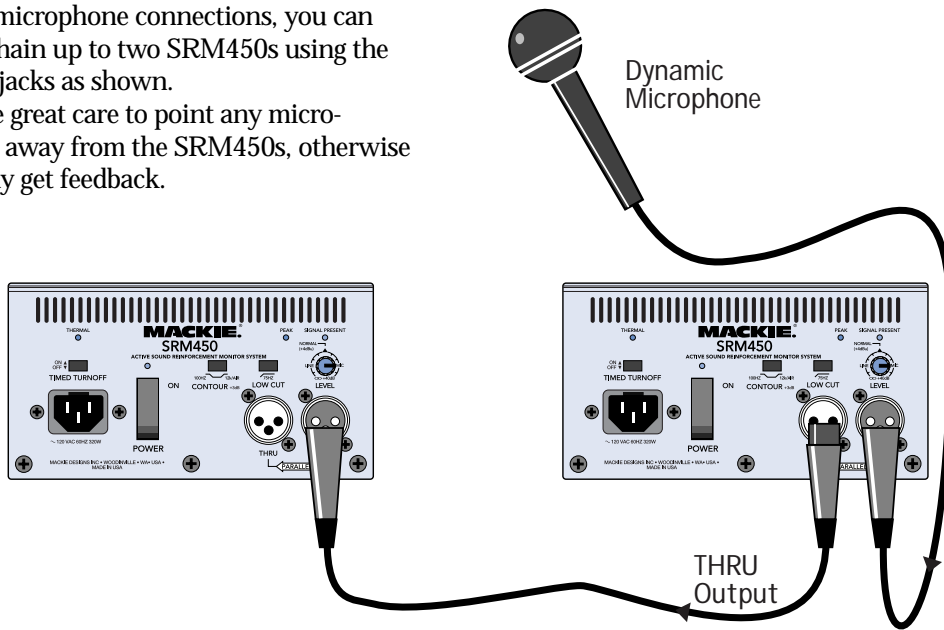
3. Connect the supplied AC power cord to the IEC socket on the back of the SRM450. Plug the other end into an AC outlet properly configured with the correct voltage for your particular model.
4. Turn on your signal source. Make sure its Master Volume control (if it has one) is turned all the way down.
5. Turn on the SRM450 POWER switch.
6. Start the signal source, whether it be speaking into a microphone or starting a CD player. Adjust any volume controls on the signal source for normal operation.
7. Slowly turn up the LEVEL control on the back of the SRM450 until the desired volume is reached (and the PEAK light does not come on). **Always** wear hearing protectors if you are close when it is playing at high levels.
8. If there is no sound, **always** turn down the SRM450 LEVEL control before investigating. There may be a mixer or preamplifier mute or tape switch engaged, or a mic switch off.



**SRM450: STEREO OPERATION WITH A MIXER, AND USING THE THRU JACK**

For microphone connections, you can daisy-chain up to two SRM450s using the THRU jacks as shown.

Take great care to point any microphones away from the SRM450s, otherwise you may get feedback.

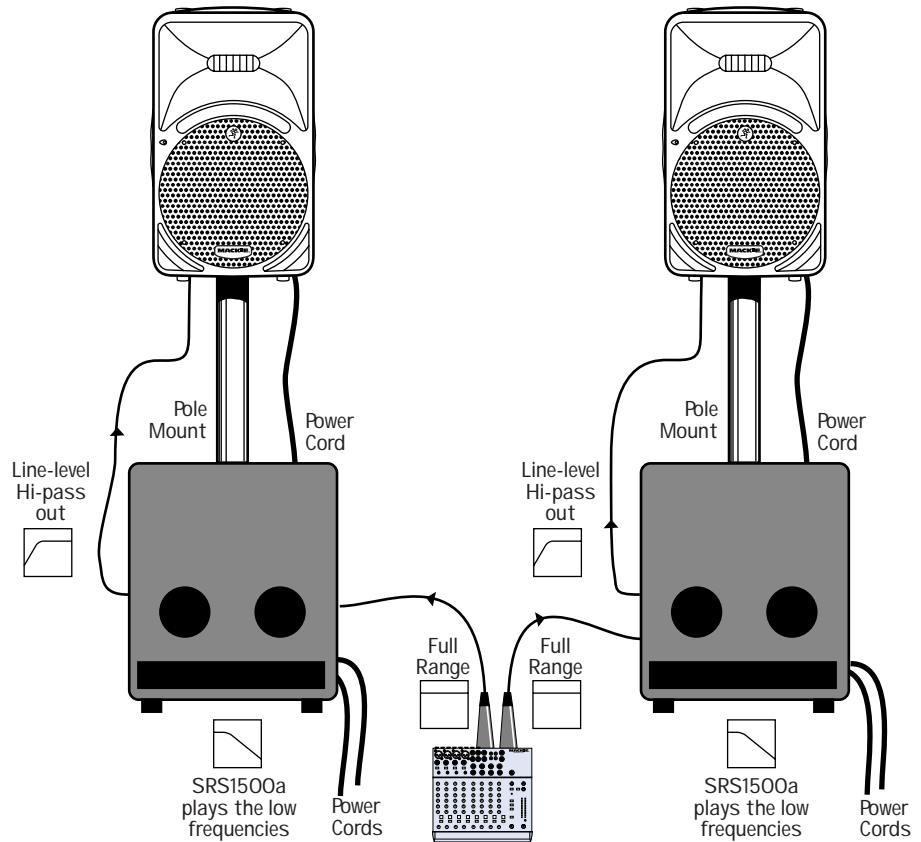


**SRM450: USING A MICROPHONE AND THE THRU JACK**

The SRM450 can be used with a Mackie SRS1500a Subwoofer to create an incredibly powerful system.

The active crossover inside the SRS1500a splits the full range input signal into two ranges. The SRS1500a plays the low frequency range through its 600 watt amplifier and 15-inch woofer, and sends the high-pass range to the SRM450.

The SRM450 can be pole mounted on top of the SRS1500a as shown, saving the cost of a tripod stand.



**SRM450: BIAMPING WITH A POWERED SUBWOOFER**

# REAR PANEL DESCRIPTION

The SRM450 has several connectors, controls, and indicators that you should understand.

## 1 IEC Socket

This is where you connect the supplied AC linecord to provide AC power to the SRM450's built-in power amplifiers. Plug the linecord into an AC socket properly configured for your particular model.

**Note:** If you happen to lose the AC linecord, replacements are readily available at any office or computer supply store. Always use a three-pin plug with a ground pin.

## 2 POWER Switch

Switch up to turn the SRM450 on, and switch down to turn it off. Make sure the level control is down before you turn it on.

## 3 POWER ON Indicator

When the POWER switch is turned on, and the linecord is connected to an active AC Mains supply, this indicator, located just above the POWER switch, glows to let you know that you're ready to rock and roll. The cool blue LED on the front of the speaker works in the same way.

## 4 TIMED TURNOFF

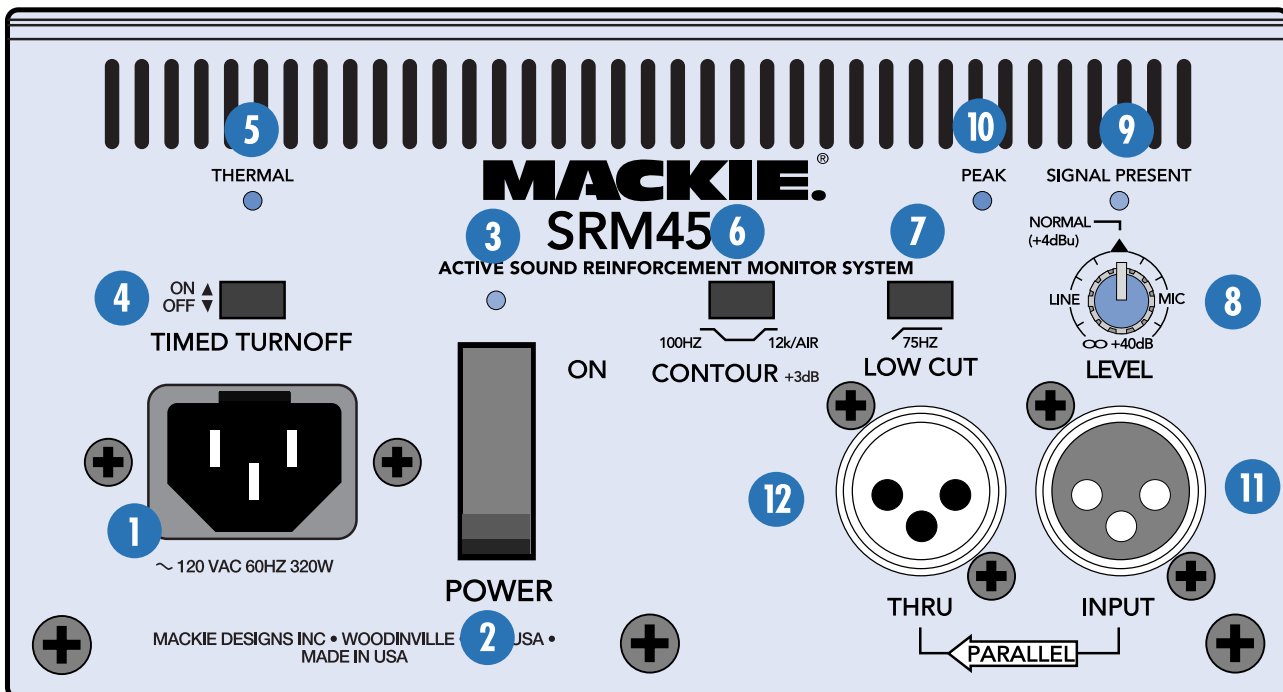
When this switch is pushed in, the built-in amplifiers turn on and off depending on the presence or absence of an input signal. An input signal level of  $-45$  dBu (minimum) activates the auto-on function. A silent period greater than three minutes activates the auto-off function. The blue LED on the front of the speaker reflects the state of the amplifiers.

## 5 THERMAL Indicator

This LED lights if the heatsink temperature exceeds a safe operating temperature and triggers the thermal safety switch. When this occurs, the built-in amplifiers shut down until the heatsink temperature cools back down. Then the thermal switch resets itself, the THERMAL indicator turns off, and normal operation resumes.



If the SRM450 keeps shutting down, make sure the PEAK light is not lighting frequently or continuously, and that there is plenty of ventilation to the rear panel. Please see "Thermal Considerations" on page 12.





## 6 CONTOUR

Pushing in this switch engages a filter that provides 3 dB of boost to the low and high frequencies (below 100Hz and above 10kHz). This provides a punchy, crisp sound for most live music applications. You can experiment with this switch by leaving it out for a while, then pushing it in to determine which way sounds best for your application. It is especially useful when listening at lower volumes, as it highlights the bass like a Loudness switch, in addition to boosting the highs.

## 7 LOW CUT

Pushing in this switch engages a low-cut filter, which rolls off the low frequencies below 75Hz. This is useful for minimizing stage noise (rumble) and microphone handling noise.

## 8 LEVEL

This controls the overall signal level at the input to the built-in power amplifiers. This control ranges from off up to 40 dB of gain. Since the SRM450 incorporates Mackie's world-class low-noise mic preamp technology, you can connect either a line-level or a microphone-level signal to the input.



There is no phantom power for a microphone, so you should use a dynamic mic, or use a condenser type if it has its own battery power.

Follow the Quick Start guide for setting the LEVEL control. For most applications, it will be in the NORMAL position (12 o'clock). If you have a particularly high line-level signal connected to the SRM450, you may need to turn the control down to the LINE indication (9 o'clock). If you have a low line-level or mic-level signal connected, you may need to turn the LEVEL control up to the MIC indication (3 o'clock).

## 9 SIGNAL PRESENT Indicator

This LED illuminates whenever there is a signal present at the INPUT connector on the rear panel. It senses the signal just prior to the LEVEL control, so even if the LEVEL control is turned down, the SIGNAL PRESENT indicator still works.

## 10 PEAK Indicator

When the signal levels at the amplifier outputs approach clipping, a soft compression circuit is activated that reduces the input signal. The PEAK LED lights whenever the compression circuit is active. At this time, the SRM450 may reach sound pressure levels of 120 dB or more.

It's okay for the PEAK indicator to blink occasionally, but if it blinks frequently or continuously, either turn down the signal level at the mixer or other signal source, or turn down the SRM450's LEVEL control.



Wear hearing protection if you are close to the SRM450 playing at high levels.

## 11 INPUT Connector

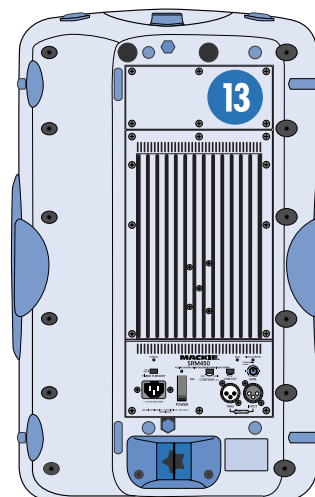
This is a female XLR-type connector that accepts a balanced or unbalanced mic- or line-level signal.

## 12 THRU Connector

This is a male XLR-type connector that produces exactly the same signal that is connected to the INPUT jack. It can be a balanced or unbalanced mic- or line-level signal. Use it to daisy-chain several active monitors together off the same signal source.

## 13 ACCESSORY Plate

This removable plate provides access to install future accessory modules. For further details of the module features and availability, please check our website: [www.mackie.com](http://www.mackie.com).



## CONNECTIONS

The SRM450 has a female XLR input that accepts a balanced or unbalanced mic or line-level signal. When connecting a balanced signal, be sure it's wired per AES (Audio Engineering Society) standards:

	<b>XLR</b>
Hot (+)	Pin 2
Cold (-)	Pin 3
Shield (Ground)	Pin 1

There is also a male XLR connector labeled THRU. This allows you to connect more than one SRM450 to the output of your mixing console. Simply plug the signal source output into the first INPUT jack, and patch that speaker's THRU jack to the next INPUT jack, and so on, daisy-chaining multiple speakers (see diagram on page 6).

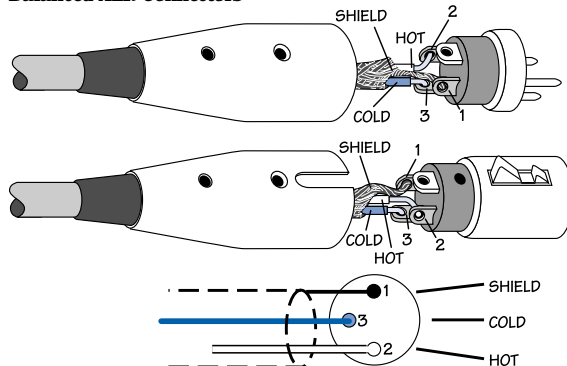


There is a limit to how many you can daisy-chain together. A general rule is to maintain a load impedance 10 times or more than the source impedance to prevent excessive loading on the source. For example, if your mixer has an output impedance of 120 ohms, then you can daisy chain up to sixteen SRM450s. This is a load of 1250 ohms (SRM450 input impedance= 20k ohms; 16 of these in parallel= 1250 ohms).

Since microphones typically have a higher output impedance, you should limit daisy-chaining from a mic source to two SRM450s (see the diagram on page 7).

The THRU jack is wired straight from the INPUT connector — there is no electronic circuitry between — so the signal coming out of the THRU jack is exactly the same as the signal going in.

### Balanced XLR Connectors



## PLACEMENT

The SRM450 active monitors are designed to sit on the floor, a tabletop, or to fit on a standard tripod speaker stand. They can also be suspended by the rigging points, shown opposite.

You can lay the cabinet down on its side and use the SRM450 as a floor monitor. The asymmetrical trapezoidal shape of the cabinet provides a perfect angle for aiming up toward performers from the front of the stage.



As with any powered components, protect them from moisture. If you are setting them up outdoors, make sure they are under cover if you expect rain.

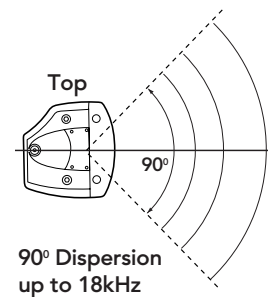


The SRM450 generates magnetic fields. Do not place them closer than 2 or 3 feet (60-100 cm) from TV or computer monitors. Check the screen for any change in color or distortion. Do not place any magnetic audio or video tapes or computer discs near the SRM450s.

### Room Acoustics

The SRM450 active monitors are designed to sound as neutral as possible; that is, to reproduce the input signal as accurately as possible, *monitoring* the sound rather than changing it.

Room acoustics play a crucial role in the overall performance of a sound system. However, the wide high-frequency dispersion of the SRM450 helps to minimize the problems that typically arise.



Here are some other placement tips:

- Avoid placing loudspeakers in the corners of a room. This increases the low-frequency output and can cause the sound to be muddy and indistinct.

- Avoid placing loudspeakers against a wall. This, too, increases the low frequency output, though not as much as corner placement. However, if you do need to reinforce the low frequencies, this is a good way to do it.
- Avoid placing the active monitors directly on a hollow stage floor. A hollow stage can resonate at certain frequencies, causing peaks and dips in the frequency response of the room. It's better to place the active monitors on a sturdy table or tripod stands.
- Position the active monitors so the high-frequency drivers are 2 to 4 feet above ear level for the audience (make allowances for a standing/dancing in the aisles audience). High frequencies are highly directional and tend to be absorbed much easier than lower frequencies. By providing direct line-of-sight from the active monitors to the audience, you increase the overall brightness and intelligibility of the sound system.
- Highly reverberant rooms, like many gymnasiums and auditoriums, are a nightmare for sound system intelligibility. Multiple reflections off the hard walls, ceiling, and floor play havoc with the sound. Depending on the situation, you may be able to take some steps to minimize the reflections, such as putting carpeting on the floors, closing draperies to cover large glass windows, or hanging tapestries or other materials on the walls to absorb some of the sound.

However, in most cases, these remedies are not possible or practical. So what do you do? Making the sound system louder generally doesn't work because the reflections become louder, too. The best approach is to provide as much direct sound coverage to the audience as possible. The farther away you are from the speaker, the more prominent will be the reflected sound.

Use more speakers strategically placed so they are closer to the back of the audience. If the distance between the front and back speakers is more than about 100 feet, you should use a delay processor to time-align the sound. (Since sound travels about 1 foot per millisecond, it takes about 1/10 of a second to travel 100 feet.)

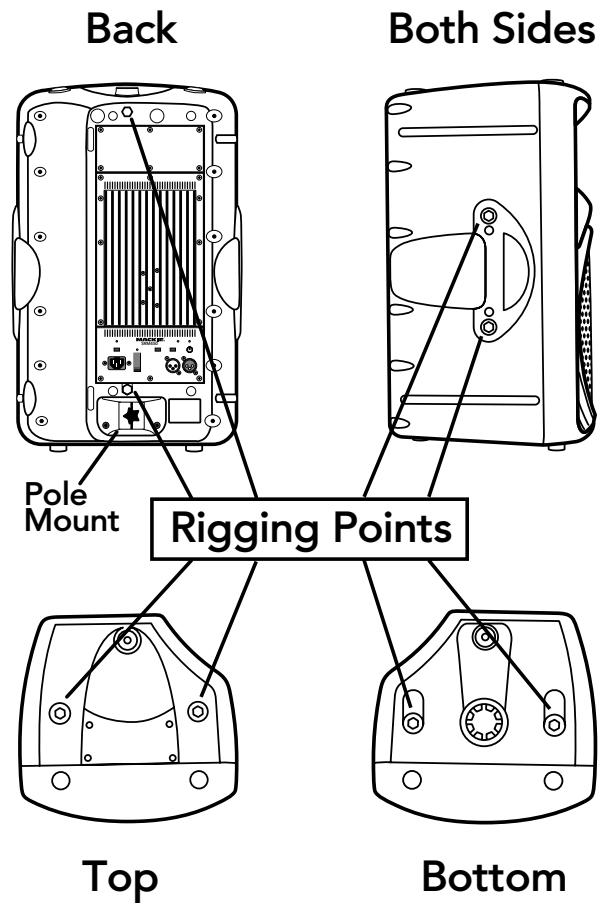
## RIGGING

The SRM450 cabinets are fitted with rigging points shown in the diagram below.



**WARNING:** Never attempt to suspend the SRM450 active monitors by their handles. If you want to suspend them, use the rigging points only.

Full details concerning rigging the SRM450s can be found with Mackie's Certified Rigging Accessories, including hardware and information on safe working loads. Contact your Mackie dealer or see our website for details.



If you are hanging them in an inaccessible place, such as over a lion's cage, make sure that you first complete the sound check and set the SRM450 LEVEL correctly. Also set the TIMED TURNOFF switch if you want the SRM450 to turn on when there is a signal present. It will also turn off after three or more minutes of silence.

## THERMAL CONSIDERATIONS

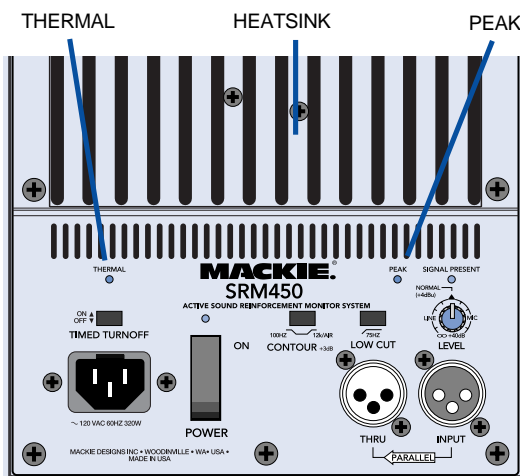
The SRM450 has two powerful amplifiers built-in. As amplifiers produce heat, it is important to dissipate the heat as quickly as possible. This results in increased reliability and longevity for the amplifier. That's what the massive die-cast aluminum heatsink on the rear panel is for.

The heatsink is cooled by convection, where cool air is drawn through it's fins, carrying the heat away. In order for this convection cooling to work efficiently, it is important to provide adequate airspace behind the loudspeaker. When you position the SRM450, we recommend leaving at least six inches of air space behind it.

In the unlikely event of the amplifiers overheating, a built-in thermal switch will activate, placing the amplifiers into standby. The THERMAL indicator on the rear panel lights, and the power LEDs on the front and rear panel turn off. When the amplifiers have cooled down to a safe operating temperature, the thermal switch resets itself, the power LEDs turn on, the THERMAL LED turns off, and the SRM450 resumes normal operation.

Check to see if the PEAK LED on the rear panel is blinking frequently or lighting continuously. If so, you should turn down the LEVEL control a notch or two to avoid overheating the amplifiers.

If the temperature in the room is too high, it could cause the amplifiers to overheat. In this case, you should try aiming a fan at the heatsink to move air through the fins faster.



## AC POWER CONSIDERATIONS

Be sure the SRM450 is plugged into an outlet that is able to supply the correct voltage specified for your model. If the voltage should drop below 97% of the specified line voltage, the built-in amplifiers will no longer be able to supply rated power. (They will continue to operate down to 75% of the rated line voltage, but won't reach full power, resulting in lower headroom.)

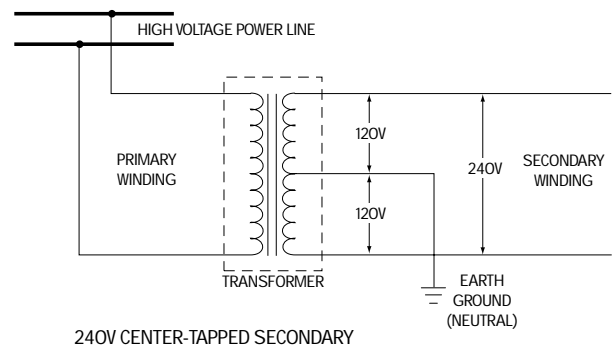
Under maximum S.P.L. conditions, where musical peaks are clipping, the SRM450 120V model draws 2.5 amps on average (1.3 amps for the 240V model). Under normal conditions, the current draw is below 1 amp.

We recommend that a stiff (robust) supply of AC power be used because the amplifiers place high current demands on the AC line. The more power that is available on the line, the louder the speakers will play and the more peak output power will be available for cleaner, punchier bass. A suspected problem of "poor bass performance" is often caused by a weak AC supply to the amplifiers.

### AC Power Distribution

A 240VAC center-tapped service entrance transformer serves the majority of AC outlets encountered in homes and clubs (in the U.S.). This provides two phases of AC power on either side of the center tap, at 120V each.

If lighting is used in a show, it is preferable to power the lights from one leg of the service, and power the audio equipment from the other leg. This will help minimize noise from the lights coupling into the audio (particularly if SCRs, or light-dimmer switches, are used).



Wherever possible, connect all of your equipment to the same electrical circuit. This will help reduce the possibility of a ground loop problem causing an annoying hum in your speakers.

Low power components such as tape decks, mixers, effects processors and CD players should be connected to the same outlet as the SRM450s. Use fused power strips as shown in the diagram below. Make sure that the total current draw of your components does not exceed the capability of the outlets and power strips.

For the US 120 V model:  
A maximum of five SRM450s can be connected per 15A service.  
This allows each SRM450 to be safely operated at its maximum level.

When turning your system on, turn on the SRM450s last. This will stop any turn-on thumps and bangs from your source equipment being amplified.

When turning off your system, turn off the SRM450s first. This will prevent any turn-off thumps and bangs from your source equipment being amplified.



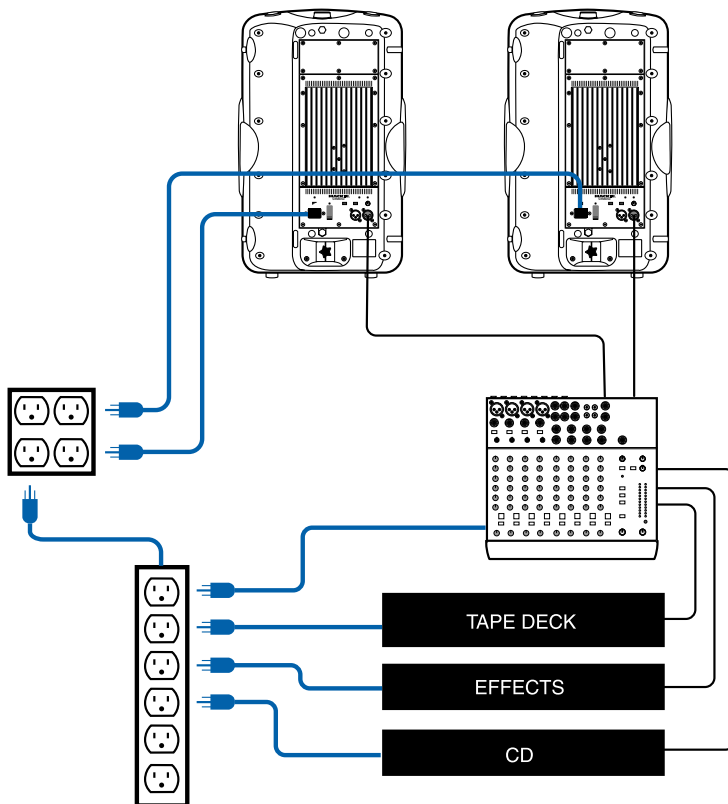
When setting up for a show, often you are plugging into an AC power distribution system you know nothing about. You may even be faced with 2-wire outlets that are missing the third safety ground pin. It's a good idea to have a three-wire AC outlet tester in your toolbox so you can check the outlets yourself to make sure they are wired correctly. These testers will tell you if the polarity of the hot and neutral wires is reversed and if the safety ground is disconnected.



Don't use an outlet if it is wired improperly! This is to protect yourself as well as your equipment.



Never remove the ground pin on the power cord of the SRM450 or any other component. This is very dangerous.



## SRM450: AC CONNECTIONS



# SERVICE INFORMATION

## Warranty Service

Details concerning Warranty Service are spelled out on page 19 of this manual.

If you think your loudspeaker has a problem, please do everything you can to confirm it before calling for service, including reading through the following Troubleshooting section. Doing so might save you from being deprived of your Mackie loudspeaker.



If you do find the problem, make sure that you turn down the LEVEL controls and turn off the SRM450 before correcting it or changing any connections.

Of all Mackie products returned for service (which is hardly any at all), many are coded “CND” — Could Not Duplicate— which usually means the problem lay somewhere else in the system. The following troubleshooting tips may sound obvious, but here are some things you can check:

## Troubleshooting

### No power!

- Our favorite question: Is it plugged in? Make sure the AC outlet is live (check with a tester or lamp).
- Our next favorite question: Is the POWER switch on? If not, try turning it on.
- Is the blue light on the front panel illuminated? If not, make sure the AC outlet is live. If so, refer to “No sound” below.
- The AC line fuse inside the chassis is blown. This is not a user-serviceable part. Refer to “Repair” on page 16 to find out how to proceed.

### No sound!

- Is the input LEVEL control turned all the way down? Follow the procedures in the “Quick Start” section on page 6 to verify that all the volume controls in the system are properly adjusted.
- Is the signal source working (and making union scale)? Make sure the connecting cables are in good repair and securely

connected at both ends. Make sure the output volume (gain) control on the mixing console or preamp is turned up sufficiently to drive the inputs of the speaker. You should be able to see the SIGNAL PRESENT LED blink on the rear panel.

- Make sure the preamp or mixer does not have a Mute on, or a Tape or Processor loop engaged. If you find something like this, make sure the volume/gain is turned down before disengaging the offending switch.
- Is the THERMAL LED lit? Make sure there is at least six inches of free space behind the heatsinks. Allow the SRM450 to cool off and it will turn back on.

### One side is way louder than the other!

- Are the LEVEL controls set the same on both active monitors?
- Check the PAN control or balance on the signal source. It may be turned too far to one side. If you’re using a stereo signal source, it may be delivering an out-of-balance stereo signal.
- Try swapping sides: Turn off the active monitors, swap the input cables coming from the mixing console, turn the active monitors back on. If the same side is still louder, the problem may be with your active monitors or cables between the mixer and the active monitor. If the other side is louder now, the problem is with the mixer or the signal source.

### Poor bass performance

- Check the polarity of the connections between the mixer/preamp and the active monitors. You may have your positive and negative connections reversed at one end of one cable, causing one SRM450 to be out-of-phase.

### As soon as the music gets loud, the SRM450 shuts down!

- Be sure that the PEAK LED on the rear panel is not lighting up frequently or continuously.



Remember to wear ear protectors if you get close to an SRM450 playing at high levels. When the PEAK LED comes on, the SPL is in the region of 120 dB!!!



- Make sure there is room behind the rear panel to provide sufficient ventilation to the heatsink.

### Bad sound!

- Is it loud and distorted? Follow the procedures described in the “Quick Start” section to verify that the levels are set properly.
- Is the input connector plugged completely into the jack? Be sure all connections are secure. It’s a good idea to periodically clean all electrical connections with a non-lubricating electrical contact cleaner.

### Noise

- Make sure all connections to the active monitors are good and sound.
- Make sure none of the signal cables are routed near AC cables, power transformers, or other EMI-inducing devices.
- Is there a light dimmer or other SCR-based device on the same AC circuit as the SRM450? Use an AC line filter or plug the SRM450 into a different AC circuit.

### Hum

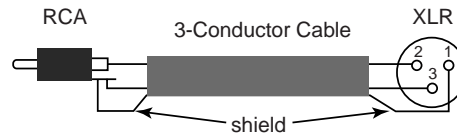
- Turn the LEVEL control all the way down. If the noise disappears, it’s coming from the signal source. If not, try disconnecting the cable connected to the INPUT jack. If the noise disappears, it could be a “ground loop,” rather than a problem with the SRM450. Try some of the following troubleshooting ideas:
- Use balanced connections throughout your system for the best noise rejection.
- Whenever possible, plug all the audio equipment’s linecords into outlets which share a common ground (see the diagram on page 13). The distance between the outlets and the common ground should be as short as possible.



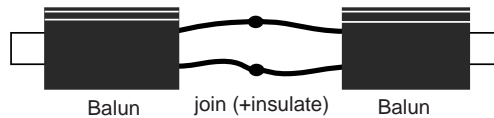
Never remove the ground pin on the power cord of the SRM450 or any other component. This is very dangerous.

- The hum may appear when using an unbalanced source (consumer preamp, CD player, VCR, etc.). This is caused by the unbalanced-to-balanced interface

between the devices (and exacerbated by the fact that most consumer audio equipment have a two-wire linecord, without the third-pin safety ground). Use an interconnect cable wired as shown below. The important point is that the shield and the wire from the XLR pin 3 are joined at the RCA (source) end.



- Disconnect any cables which come in from outside, such as cable TV, satellite TV or roof top antennas. They must be disconnected from *every* part of your system, such as the TV, VCR and preamp. If the hum goes away, you can add a “ground loop isolator” in your cable line. This is an inexpensive device available from video or TV dealers, or you can make your own from two TV baluns (standard TV 75/300 ohm adaptors):



The baluns are threaded at one end (75 ohm) to fit TV coax cable and have two wires at the other end (300 ohm). They will not affect the video quality.

- If the hum persists, try removing components one at a time from the back of the mixer or preamplifier, and check for hum each time (turn off your equipment before you undo any connections). It is fairly common to find more than one problem.
- If your preamp or mixer are the only things connected to the SRM450s and the hum is still there, try different connection cables, or move the preamp/mixer to another location.
- Pressing the LOW CUT FILTER may help reduce the hum if you have trouble finding the cause of the problem. Do this anyway if you do not need to reproduce the lower frequency range.

## REPAIR

Service for the SRM450 is available only from one of our authorized domestic service stations or at the factory, located in sunny Woodinville, Washington. Service outside the United States can be obtained through local dealers or distributors.

If your SRM450 needs service, please follow these instructions:

1. Review the preceding troubleshooting suggestions. Please.
2. Call Tech Support at 1-800-258-6883, 8am to 5pm PST, to explain the problem in detail. They will ask you all sorts of impertinent questions in the hope of sorting out the problem. If it appears that the SRM450 needs repair, request an RA (Return Authorization) number. Have your monitor's serial number ready. You must have an RA number before you can obtain service at the factory or an authorized service center.
3. Keep this owner's manual. We don't need it to repair the active monitor.



4. Pack the loud-speaker in its original package, including protective wrap, endcaps, and box. This is very important. When you call for the RA number, please let Tech Support know if you need new packaging. Mackie is not responsible for any damage that occurs due to non-factory packaging.
5. Include a legible note stating your name, shipping address (no P.O. boxes), daytime phone number, RA number, and a detailed description of the problem, including how we can duplicate it.
6. Write the RA number in **BIG PRINT** on top of the box.
7. Ship the active monitor to us. We recommend United Parcel Service (UPS). We suggest insurance for all forms of cartage. Ship to this address:

Mackie Designs  
SERVICE DEPARTMENT  
16220 Wood-Red Rd. NE  
Woodinville, WA 98072

8. We'll try to fix the monitor within three business days. Ask Tech Support for the latest turnaround times when you call for your RA number. We normally send everything back prepaid using UPS BLUE (Second Day Air). However, if you rush your monitor to us by Next Day Air, we'll treat it in kind by shipping it back to you UPS RED (Next Day Air). This paragraph does not necessarily apply to non-warranty service.

## CARE AND MAINTENANCE

Your Mackie active monitors will provide many years of reliable service if you follow these guidelines:



Avoid exposing the active monitors to moisture. If they are set up outdoors, be sure they are under cover if you

- expect rain.
- Avoid exposure to extreme cold (below freezing temperatures). If you must operate the active monitors in a cold environment, warm up the voice coils slowly by sending a low-level signal through them for about 15 minutes prior to high-power operation.
- Use a slightly damp cloth with a mild soap solution to clean the cabinets. Only do this when the power is turned off. Avoid getting moisture into any of the openings of the cabinet, particularly where the drivers are located.

# SPECIFICATIONS

## Transducer Specifications

### Low-Frequency Transducer

<i>Diameter</i>	300mm (12")
<i>Voice Coil Diameter</i>	63.5mm (2.5")
<i>Sensitivity (1W@1m)</i>	98 dB
<i>Nominal Impedance</i>	8 ohms
<i>Power Handling</i>	300 watts
<i>Frequency Range</i>	55Hz – 3000Hz

### High-Frequency Driver and Horn

<i>Diaphragm Diameter</i>	44.5mm (1.75")
<i>Exit Throat Diameter</i>	24.5mm (1")
<i>Diaphragm Material</i>	Titanium
<i>Sensitivity (1W@1m)</i>	106 dB
<i>Nominal Impedance</i>	8 ohms
<i>Power Handling</i>	100 watts
<i>Frequency Range</i>	1000Hz – 20,000Hz
<i>Horn Type</i>	Composite: Exponential and Conical

<i>Mouth Size</i>	304.8mm (12") W x 177.8mm (7") H
<i>Horizontal Coverage</i>	90° ± 10° (1kHz – 20kHz)
<i>Vertical Coverage</i>	45° ± 10° (2.8kHz – 20kHz)

## Power Amplifier and System Specifications

### Low-Frequency Power Amplifier

<i>Rated Power</i>	300 watts
<i>Rated THD</i>	< 0.03%
<i>Cooling</i>	Convection Extrusion
<i>Design</i>	Class G, Parametric Servo Feedback

### High-Frequency Power Amplifier

<i>Rated Power</i>	100 watts
<i>Rated THD</i>	< 0.03%
<i>Cooling</i>	Convection Extrusion
<i>Design</i>	Conventional Class AB

## System Specifications

<i>Input Type</i>	Balanced Differential
<i>Input Impedance</i>	Line: 20k ohms
<i>Input Protection</i>	RFI and level protected
<i>Sensitivity</i>	Line: + 4 dBu (center detent) Mic: -36 dBu
<i>Maximum Input Level</i>	Line: + 22 dBu
<i>Low-Cut Frequency</i>	100Hz, Second-order filter
<i>Acoustic Contour Equalization</i>	Peaking: + 3 dB @ 100Hz, + 3 dB @ 12kHz
<i>Enclosure Alignment</i>	Sixth-Order
<i>Over-Excursion Protection</i>	Second-Order High-Pass Filter
<i>Thermal Protection</i>	Amplifier shutdown, auto-reset

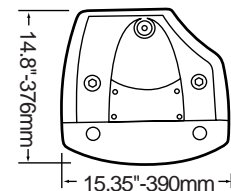
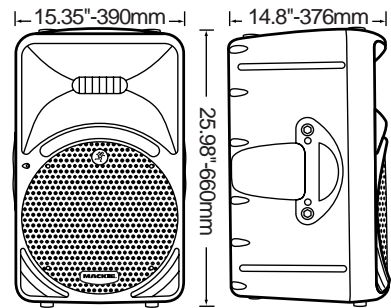
<i>Low-Line Voltage Shut Down</i>	60% Nominal line
<i>Acoustic Frequency Response</i>	45Hz – 20,000Hz
<i>Low-Freq -3 dB Point</i>	55Hz
<i>Maximum SPL @ 1m</i>	123 dB
<i>Low-Freq Crossover</i>	24 dB/octave, time offset corrected
<i>High-Freq Crossover</i>	24 dB/octave
<i>Crossover Frequency</i>	1600Hz
<i>Driver Protection</i>	Independent LF and HF compressors
<i>Low-Freq Roll-Off</i>	Dynamic-signal level dependent
<i>Accessory Interface</i>	± 15V DC, normalized signal I/O
<i>Operating Temperature Range</i>	-10°C to 45°C (14°F to 113°F)

## Line Input Power

<i>US</i>	120V, 60Hz
<i>Europe</i>	230V, 50Hz
<i>Japan</i>	100V, 50/60Hz

## Physical Properties

<i>Height</i>	660mm (25.98")
<i>Width</i>	390mm (15.35")
<i>Depth</i>	376mm (14.8")
<i>Weight</i>	23.2kg (51 lbs.)
<i>Enclosure Geometry</i>	Asymmetrical Trapezoidal
<i>Mounting Methods</i>	Integrated mounting points, M10 Two each located on each side, top, bottom, and rear of enclosure



## Disclaimer

Since we are always striving to make our products better by incorporating new and improved materials, components, and manufacturing methods, we reserve the right to change these specifications at any time without notice.

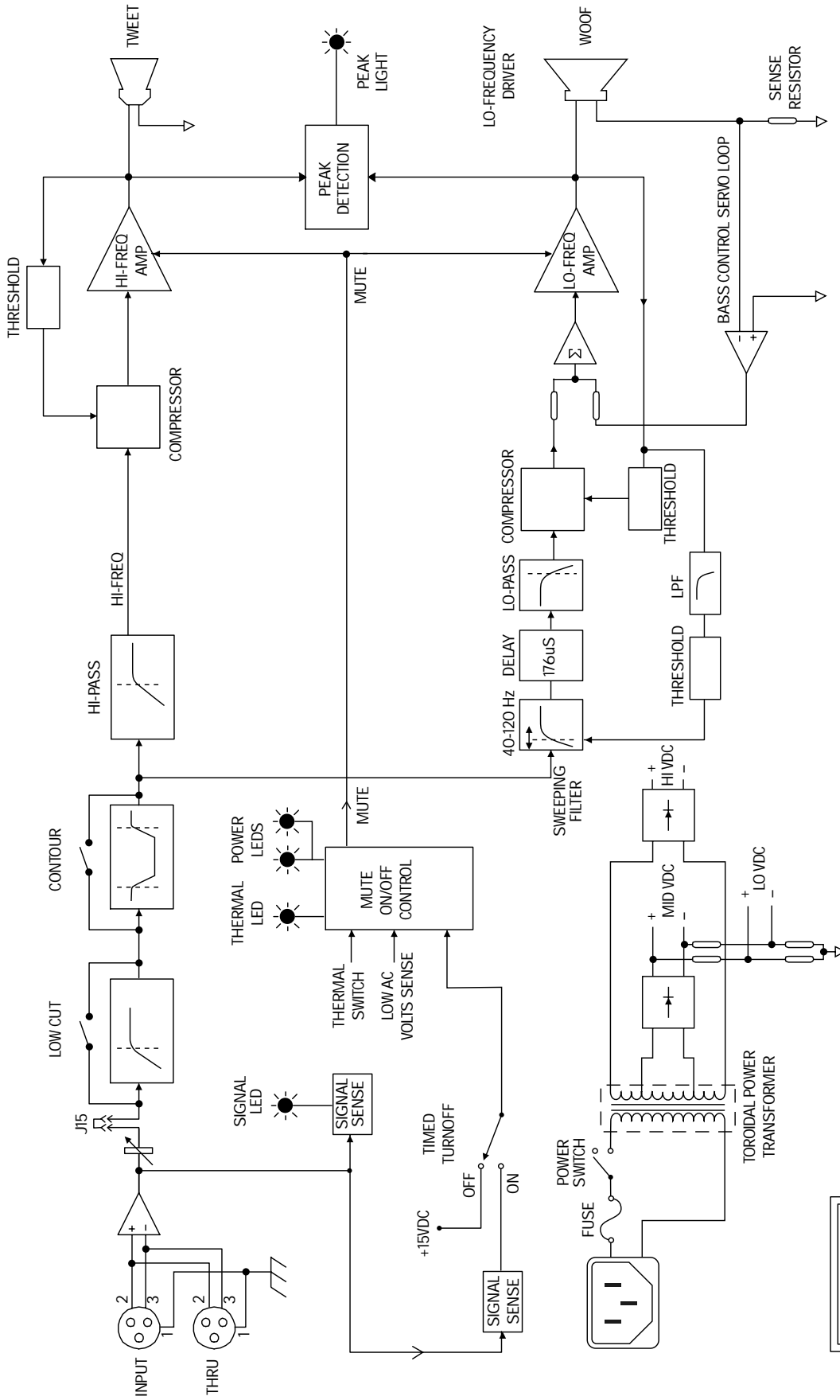
"Mackie," the "Running Man" figure, and "FR Series" are trademarks or registered trademarks of Mackie Designs Inc.

All other brand names mentioned are trademarks or registered trademarks of their respective holders, and are hereby acknowledged.

©1999 Mackie Designs Inc.  
All Rights Reserved.  
Printed in the U.S.A.



# SRM450 BLOCK DIAGRAM



MACKIE DESIGNS  
SRM450  
BLOCK DIAGRAM  
(#071699SE)



## SRM450 LIMITED WARRANTY

### Please keep your sales receipt in a safe place.

**A.** Mackie warrants all materials, workmanship and proper operation of this SRM450 for a period of **one year** from the original date of purchase. If you complete the optional questionnaire portion of the Product Registration Card, the warranty will be extended for an **additional FOUR years** with the following exception: warranty on all its loudspeaker components including woofers and compression drivers are only warranted for an additional one year (for a total of two years). If any defects are found in the materials or workmanship or if the product fails to function properly during the applicable warranty period, Mackie, at its option, will repair or replace the product. **This warranty applies only to equipment sold and delivered within the U.S. by Mackie or its authorized dealers.**

**B.** Failure to return the card will not void the 1-year warranty.

**C.** Service and repairs of Mackie products are to be performed **only** at the factory (see D below) OR at an Authorized Mackie Service Center (see E below). Unauthorized service, repairs, or modification will void this warranty.

**D.** To obtain factory service:

**1.** Call Mackie at **800/258-6883**, 8AM to 5PM Monday through Friday (Pacific Time) to get a Return Authorization (RA). Products returned without an RA number will be refused.

**2.** Pack the SRM450 in its original shipping carton. If you do not have the carton, just ask for one when you get your RA number, and we'll send a shipping carton out promptly. More information on packing can be found in the *Service* section of this manual. Also include a note explaining exactly how to duplicate the problem, a copy of the sales receipt with price and date showing, and your return street address (no P.O. boxes or route numbers, please!). If we cannot duplicate the problem at the Mackie Factory or establish the starting date of your Limited Warranty, we may, at our option, charge for service time.

**3.** Ship the product in its original shipping carton, **freight prepaid** to:

**Mackie Designs Inc.  
SERVICE DEPARTMENT  
16220 Wood-Red Road NE  
Woodinville, WA, 98072, USA**

**IMPORTANT: Make sure that the RA number is plainly written on the shipping carton.**

**E.** To obtain service from an Authorized Mackie Service Center:

**1.** Call Mackie at 800/258-6883, 8AM to 5PM Monday through Friday (Pacific Time) to get:  
1) The name and address of your nearest Mackie Authorized Service Center and 2) A return authorization (RA). You must have an RA number before taking your unit to a service center.

**2.** Make sure that you have a copy of your active monitor's sales receipt from the store where you bought the product. It is necessary to establish purchase date and thus determine whether or not your active monitor is still under warranty. If you can't find it, the Authorized Service Center may charge you for repairs even if your active monitor is still covered by Mackie's 1-Year Limited Warranty.

**3.** Make sure that the problem can be duplicated. If you bring your active monitor to an Authorized Service Center and they can't find anything wrong with it, you may be charged a service fee.

**4.** If the Mackie Authorized Service Center is located in another city, pack the active monitor in its original shipping carton. More information on packing can be found in the *Service* section of this manual.

**5.** Contact the Mackie Authorized Service Center to arrange service or bring the active monitor to them.

**F.** Mackie and Mackie Authorized Service Centers reserve the right to inspect any products that may be the subject of any warranty claims before repair or replacement is carried out. Mackie and Mackie Authorized Service Centers may, at their option, require proof of the original date of purchase in the form of a dated copy of the original dealer's invoice or sales receipt. Final determination of warranty coverage lies solely with Mackie Designs Inc. or its Authorized Service Centers.

**G.** Mackie active monitors returned to Mackie and deemed eligible for repair or replacement under the terms of this warranty will be repaired or replaced within thirty days of receipt by Mackie at our rainforest factory complex. Products returned to Mackie that do not meet the terms of this Warranty will be repaired and returned C.O.D. with billing for labor, materials, return freight, and insurance. Products repaired under warranty at Mackie's factory will be returned freight prepaid by Mackie to any location within the boundaries of the USA.

**H.** Mackie assumes no responsibility for the quality or timeliness of repairs performed by Mackie Authorized Service Centers.

**I.** This warranty is extended to the original purchaser and to anyone who may subsequently purchase this product within the applicable warranty period.

**J.** This is your sole warranty. Mackie does not authorize any third party, including any dealer or sales representative, to assume any liability on behalf of Mackie Designs or to make any warranty for Mackie Designs.

**K.** THE WARRANTY GIVEN ON THIS PAGE IS THE SOLE WARRANTY GIVEN BY MACKIE AND IS IN LIEU OF ALL OTHER WARRANTIES, EXPRESS AND IMPLIED, INCLUDING THE WARRANTIES OF MERCHANTABILITY AND FITNESS FOR A PARTICULAR PURPOSE. THE WARRANTY GIVEN ON THIS PAGE SHALL BE STRICTLY LIMITED IN DURATION TO ONE YEAR FROM THE DATE OF ORIGINAL PURCHASE FROM AN AUTHORIZED MACKIE DEALER. UPON EXPIRATION OF THE APPLICABLE WARRANTY PERIOD, MACKIE SHALL HAVE NO FURTHER WARRANTY OBLIGATION OF ANY KIND. MACKIE SHALL NOT BE LIABLE FOR ANY INCIDENTAL, SPECIAL, OR CONSEQUENTIAL DAMAGES THAT MAY RESULT FROM ANY DEFECT IN THE MACKIE PRODUCT OR ANY WARRANTY CLAIM. Some states do not allow exclusion or limitation of incidental, special, or consequential damages or a limitation on how long warranties last, so some of the above limitations and exclusions may not apply to you. This warranty provides specific legal rights and you may have other rights which vary from state to state.