



www.trichursurgical.com
www.trisco.in



YOUR ONE STOP

DESTINATION FOR
EVERYTHING IN
DENTAL

Since 1958[®]
Trisco

TRICHUR SURGICALS
AN ISO 13485 CERTIFIED COMPANY



”

“Dedication, commitment and honesty helps an individual to excel in any area of his choice”

Late V.M. Sulaiman
Founder
Trichur Surgicals

Awards & Recognitions

ISO9001:2008 certificate from BS1

Registered with National Small Industries Corporation Ltd (NSIC)

Nehru Peace Foundation Award 2008

Economic Times best Asian healthcare brands 2017

Member of Confederation of Indian Industry (CII)

Registered in Store Purchase Dpt. Govt. of Kerala

Member of ADITI (Association of Dental Industry & Trade of India)

Member of KEDDA (Kerala Dental Dealers Association)

Quality Certificates



Memberships



”

Trisco stands out for its commitment on caring. Over the years, we have added a good client base, which is growing exponentially, as a result of our commitment to quality product offering and the trust clients placed on our brand. As one of the pioneers in the healthcare industry in the country, we want to carry forward our legacy of human care, to improve the healthcare facility of the country.

Mansoor Ali
CEO Trichur Surgicals

ABOUT US

Trisco, registered trademark owned by Trichur Surgicals, has come a long way in establishing itself as pioneers in the healthcare field. Over the years we carved a niche for ourselves through our professional excellence and dedicated services. We strive to obtain and retain our loyal customers by exceeding their expectations with innovative and quality products, competitive pricing and unparalleled services.

Keeping in line with the professionalism, scripted a glorious growth story with its exclusive range of medical equipment.

We provide sales, services and technical support from our offices in Thrissur, Kochi, Calicut, Trivandrum and Bangalore.

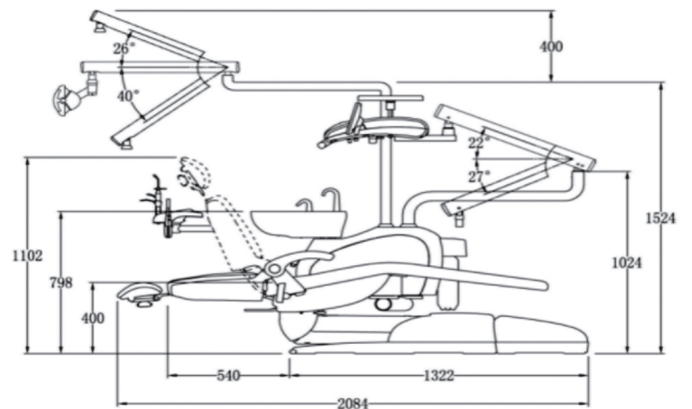
We offer an exclusive range of wide variety of hospital & surgical equipment designed as per the specifications of our esteemed customers, manufactured using ultra-modern machines and sophisticated technology. We extend our clients superior quality products at affordable and competitive prices. Our engineering business is certified with International Quality Standard Operations (ISO 9001) and CE.

ARIES DENTAL TREATMENT UNIT



DOCTOR'S STOOL WITH 4 FUNCTIONS

it is ergonomically designed and engineered to fit the human body to reduce stress and fatigue. Backrest and stool height are both adjustable



COLOR SAMPLE ULTRA FIBER LEATHER

PU COLORS



ARIES FEATURES



WATER/AIR/POWER ONE SWITCH CONTROL SYSTEM
Dual water purification, hand piece power stable system.



MULTI-FUNCTION FOOT CONTROL
Including chair control, instrument panel, rinse and cup filling.



LED LIGHT
with intensity stepless control function.
Intensity: 8000 - 3000LUX



15 FUNCTION ASSISTANT CONTROL PANEL
Convenient for assistant to control the function of dental chair.



ROTATABLE CERAMIC SPITTOON
Luxury rotatable integrated ceramic spittoon.



HIGH-QUALITY CAST ALUMINUM CHAIR
Chair Lifting Range: 380-mm-830mm
Hand-made sewed Ultra-fiber leather cushion

STANDARD CONFIGURATIONS

| DENTAL LIGHT | |
|-------------------------------------|-------|
| Deluxe LED dental light with sensor | 1 Set |

| PATIENT CHAIR | |
|-------------------------------------|-------|
| Cast aluminum alloy patient chair | 1 Set |
| DC24V electric motor with memory | 1 Set |
| Hand-made sewed seamless upholstery | 1 Set |
| Articulated headrest | 1 Set |
| Rotatable armrest | 1 Set |
| Multi-function foot control | 1 Set |
| 3 programmable work positions | |

| DELIVERY SYSTEM | |
|----------------------------------|-------|
| Classic hanging system tray | 1 Set |
| Silicon pad for instrument table | 1 Set |
| Air turbine hose | 3 Set |
| Three way syringe | 1 Set |
| Panoramic x-ray viewer | 1 Set |
| 15 function control panel | 1 Set |

| ASSISTANT | |
|--|-------|
| Three way syringe with warm water | 1 Set |
| Multi-function control panel with instrument table | |

| WATER UNIT | |
|--------------------------------|-------|
| Rotatable ceramic spittoon | 1 Set |
| Pure water system | 1 Set |
| 24 V water heater | 1 Set |
| High quality air and waterline | |

| JUCTION BOX | |
|-----------------------|-------|
| Built-in junction box | 1 Set |

| DENTAL STOOL | |
|-------------------------------|-------|
| Dental Stool with 4 functions | 1 Set |

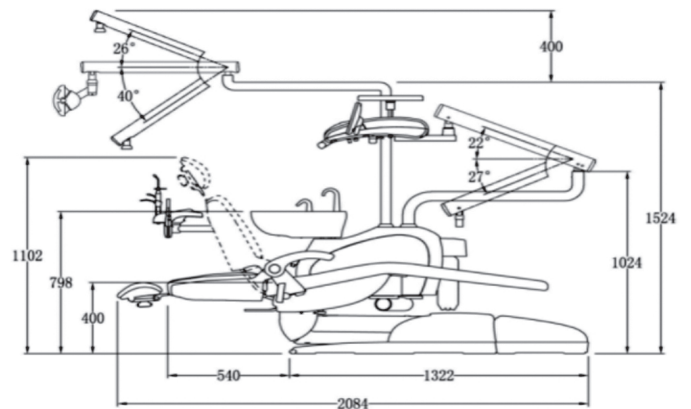
| OPTIONAL FEATURES | |
|--------------------------|--|
| Fibre Leather Upholstery | |
| Monitor with arm | |
| Intraoral camera | |
| Built-in scaler | |
| Built-in curing light | |
| High speed handpiece | |
| TKD micromotor | |

LEO DENTAL TREATMENT UNIT



DOCTOR'S STOOL WITH 2 FUNCTIONS

It is ergonomic designed to reduce stress and exhaustion. Stool height is adjustable



COLOR SAMPLE ULTRA FIBER LEATHER

PU COLORS



LEO FEATURES



DENTAL LIGHT
Classic dental light without sensor.



CONTINENTAL TOP MOUNTED SYSTEM (OPTIONAL)
Topmounted doctor table with hidden air lock valve.



ROTATABLE CERAMIC SPITTOON
Pure water system, 24V water heater.



LOWEST CHAIR HEIGHT 350mm:
Makes it easy to climb up and down.



10 FUNCTION ASSISTANT CONTROL PANEL
Convenient for assistant to control the function of dental chair.

STANDARD CONFIGURATIONS

| DENTAL LIGHT | |
|------------------------------------|-------|
| Dental Light with / without sensor | 1 Set |

| PATIENT CHAIR | |
|----------------------------------|-------|
| DC24V electric motor with memory | 1 Set |
| Seamless upholstery | 1 Set |
| Articulated headrest | 1 Set |
| Left armrest | 1 Set |
| Right rotatable armrest | 1 Set |
| Round foot control | 1 Set |

| DELIVERY SYSTEM | |
|-----------------------------|-------|
| Classic hanging system tray | 1 Set |
| Air turbine hose | 3 Set |
| Three way syringe | 1 Set |
| Built-in x-ray viewer | 1 Set |
| 10 function control panel | 1 Set |

| ASSISTANT | |
|-----------------------------------|-------|
| Three way syringe with warm water | 1 Set |
| HVE with saliva ejector | 1 Set |
| Multi-function control panel | |

| WATER UNIT | |
|--------------------------------|-------|
| Rotatable ceramic spittoon | 1 Set |
| Pure water system | 1 Set |
| 24 V water heater | 1 Set |
| High quality air and waterline | |

| JUCTION BOX | |
|-----------------------|-------|
| Built-in junction box | 1 Set |

| DENTAL STOOL | |
|-------------------------------|-------|
| Dental Stool with 4 functions | 1 Set |

| OPTIONAL FEATURES | |
|--|--|
| Continental top mounted delivery system | |
| Fiber optic system for turbine hand piece | |
| Handmade sewed ultra fibre leather cushion | |
| Electric motor | |
| Electric Scalar | |
| LED curing light | |
| Built-in intraoral camera | |
| 17 inch monitor | |

AQUARIUS DENTAL TREATMENT UNIT



STANDARD CONFIGURATIONS

SALIENT FEATURES

- Electrically Operated (Zero Programme)
- Two air rotor terminal
- One micro motor terminal
- Sensor light with two intensity
- Chair side ceramic spittoon & bowl
- Three way syringe
- X-Ray viewer (LED)
- Multi-functional foot control
- Motorized suction with auto drainage
- Zero back rest doctors stool

OPTIONAL ACCESSORIES

- Chair mount unit modular delivery system overhanging
- One air rotor terminal with fibre optics
- Compressor 0.75 HP oil free

COLOR SAMPLE ULTRA FIBER LEATHER

PU COLORS



PEDIATRIC DENTAL CHAIR UNIT



STANDARD CONFIGURATIONS

SALIENT FEATURES

| | |
|--|-------|
| Luxury LED operation light | 1 Set |
| Handmade sewed microfiber leather upholstery | 1 Set |
| Side hang lifting system | 1 Set |
| Chair interlock system | 1 Set |
| Safety emergency stop function | 1 Set |
| Children's safety belt | 1 Set |
| Multi-function foot pedal | 1 Set |
| Purified water supply system | 1 Set |
| Imported handpiece tube | 3 Set |
| 3-way syringe (hot and cold) | 2 Set |

OPTIONAL ACCESSORIES

| |
|--------------------------------|
| Build-in scaler |
| Build-in LED curling light |
| High & Low speed handpiece kit |
| Build-in micromotor |
| Assistant's stool |

COLOR SAMPLE ULTRA FIBER LEATHER

PU COLORS



BLUE
 Boys Only.
 Psychological comfort.
 stands for "PURE".



GREEN
 Fashion color.
 Sense of safety.
 Pease and hope.



YELLOW
 Relaxed and energetic.
 Noble and warm.
 Hint of happiness & hope.



PINK
 Girls Only.
 Psychological comfort.
 Cute, gentle and relaxing.

DENTAL STOOLS

DENTAL STOOL WITH 4 FUNCTIONS

ARIES DOCTOR'S STOOL



Hi-Tech Dental Doctor's Stool available in various colors with ultra stable base and comfortable seat and back support. Height, backrest and angle adjustable. Caster frame with precision aluminum castings.

DENTAL STOOL WITH 2 FUNCTIONS

LEO DENTAL STOOL



Dental stool has 2 functions, it is ergonomically designed and engineered, to fit the human body to reduce stress and fatigue. Backrest and stool height are both adjustable.

DOCTOR'S STOOL

ZERO BACK STOOL



Height adjustment by pneumatic piston, Backrest and stool height are both adjustable.

REVOLVING STOOL

REVOLVING WITH BACK SUPPORT



Revolving Stool with Back has pneumatic lifting mechanism which makes the stool easy to adjust. The foam seat is covered in surface which is made of washable material.

REVOLVING STOOL

PADDED STOOL



Adjustable stool height. Plush and thickly padded PU seat. Revolving type stool with hooded carpet caster wheels allow for swift movements over textured floors.

PATIENT'S REVOLVING STOOL

3 LEG STOOL WITH SS TOP



Revolving Patient Stool finds extensive applications in nursing centers, hospitals, homes, as well as in other medical purposes. These stools are usually kept near the patient's bed or in the examination rooms.

DENTAL ACCESSORIES

1 HP OIL-LESS COMPRESSOR



COMPRESSOR OIL-LESS

Tank inside use of anti-rust treatment.
 Compressor use of NSK bearings.
 Excellent dynamic balance, ensuring low vibration and low noise.

MOTORIZED SUCTION

PORTABLE SUCTION



High quality fully portable suction unit, with an internal waste collection canister.
 Robust performance
 Low maintenance cost
 High durability
 Simple operation
 Compact design

DENTAL AUTOCLAVE WITH TIMER & DRUM

AUTOCLAVE WITH TIMER & DRUM



Equipped with two stages "Over Pressure" protection system incorporating a calibrated continuous bleeding pressure Stopcock and Pressure release weight valve.

COOKER TYPE AUTOCLAVE

AUTOCLAVE COOKER TYPE



Cooker type autoclave has pressure gauge and steam release valve.
 4 liter capacity.

UV CABINET

ULTRAVIOLET STORAGE CABINET



Ultraviolet Storage Cabinet with Magnetic gasket on the door that seals the chamber.
 Compact.
 Rust-proof.
 Unique features.
 Maximum storage capacity.

INTRAORAL CAMERA



CAMERA WITH SCREEN MONITOR

Photos automatically backup to 'U' disk.
 Clear images. It has the ability to diagnose various types of oral pathology in their earliest forms is a huge benefit to both patients and dentists.

DENTAL LASER



PORTABLE DIODE LASER

Customizable Presets, Blue Aiming Beam for Enhanced Contrast.
Portability, Enhanced Ergonomics.
Easy-to-Use Presets.

SENSOR



CMOS Technology.
Unique Size 1.5.
High Comfortable.
Fast Data Transfer.
Water & Dust Proof.
Higher Image Resolution.
Fast Work Flow.

RVG EZ SENSOR

MOBILE DENTAL X-RAY MACHINE UNIT



DENTAL X-RAY

Digital touch-keys, intelligent operation by microcomputer, swiftly and accurately determine the exposure parameters by touching keys two times, operation is very simple.

MICROSCOPE



DENTAL PORTABLE MICROSCOPE

C-Mount 1.0x Adapter
100~240V Power Supply
Wide Field Eyepiece WF10X
LED Illumination
Adjustable LED Lights

X-RAY MACHINE

PORTABLE X-RAY



Ergonomic Design
Smart Dial Type
No Stress
Accurate Images
Saves Time
Prevents Wrist Pain
AERB Approved
Easy Positioning
Full Mouth Series

CURING LIGHT

CURLING LIGHT UNIT

Wireless
Replaceable
Working modes: Full, Ramping, Pulse.
A full charge can be used for over 400 times.
High Quality Manufacture.



DENTAL SCALER

Performs Multi-function: Scaling, perio and endo.
Optical handpiece, more convenient for clinical operation.



ULTRASONIC SCALER

AIR-ROTAR

AIROTOR HAND PIECE



Key Type Handpieces.
Super Torque Handpieces.
Push Button Handpieces.
LED Handpieces.
Mini-Head Handpieces.
Standard-Head Handpieces

NEEDLE DESTROYER

ELECTRICAL/MANUAL
NEEDLE SYRINGE DESTROYER



Shock proof-main circuit breaker is provided.
Portable, compact, handy.
Low Power Consumption.
Easy Operation For Destroying Needle & Syringe.

HIGH SPEED ROTARY KIT



Low heat generation suitable for long use.
No noise & vibrations.

MICROMOTOR KIT

DENTAL INSTRUMENTS



All Tools are made from stainless steel and used by professionals.

DENTAL
EXTRACTION INSTRUMENTS

APEX LOCATOR



Equipped with clear bright LCD, clear image and different colors indicate the trajectory of the file clearly. Folding, easy to adjust the visual angle.

ELECTRONIC APEX LOCATOR

PORTABLE DENTAL EQUIPMENT



Fully self-contained, the Transport Series is a necessary piece of portable dental equipment for mobile dentistry.

TRANSPORT SERIES
PORTABLE DENTAL EQUIPMENT

ENDOMOTOR



Wireless handpiece enables more convenient operation. Adopt real-time feedback technology and dynamic torque control, effectively preventing needle breakage.

CORDLESS ENDOMOTOR

ULTRASONIC CLEANING MACHINE

PROFESSIONAL
ULTRASONIC CLEANING



Constructed with sturdy 304 stainless steel, ensuring no water leakage and long service life. An extra basket is available to decrease collision between sharp items and the tank.

WATER DISTILLER



Water Distiller with High Efficiency. It is Used for Water Distillation in Dental Office.

EASY & SAFE WATER DISTILLER

N CLASS AUTOCLAVE



Automatic sterilization.
Sterilization program.
Dry time adjustable 1-60 minutes.
High quality bacteria filter.

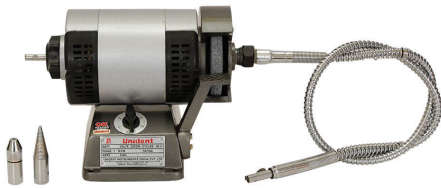
B CLASS AUTOCLAVE

Chamber volume - 23 Ltr.
Number of trays - 3 Nos.
Overall dimension - (W x H x D) 480mm x 455mm x 700mm



DENTAL LATHE

DENTAL LATHE MACHINE



Enhance natural tooth surface aesthetics.
One can obtain the desired anatomy.
It helps to reduce roughness and scratches.
The dental prosthesis surface became well tolerated by oral tissue.

DOUBLE BOTTLE SUNCTION MACHINE

TROLLEY SUNCTION MACHINE



Electrical suction apparatus run silent,durable. Oil-free piston pumps for zero maintenance. Two glass jars of 2.5 liter each provide ample capacity for any type of surgery.

SIDE LOCKER



SEMI DX SIDE LOCKER

NOVAPAN board.
50mm twin castor wheels.
Provided with one storage cabinet and single drawer under the top and space for keeping utilities

DENTAL TROLLEY

SINGLE PILLAR



This functional cart has 3 shelves, The cart features rounded corners, precision in the finishes, practicality and minimum dimensions.

DENTAL CABINET

STEEL

DENTAL CABINET/TROLLEY

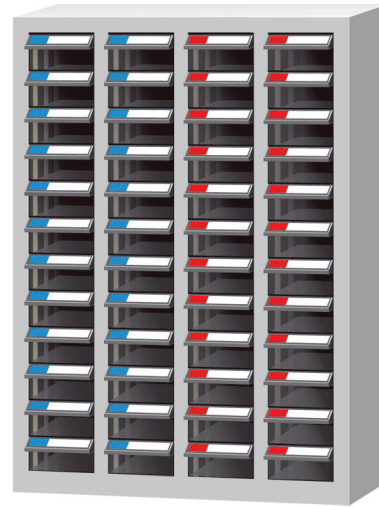


5 Drawer Slider Mobile Medical Dental Furniture Cabinet Clinic Cabinet Hospital Cabinet. The high-quality stainless steel cabinet is very tough, anti-fingerprint, anti-corrosion, never rust, and durable.

SIDE LOCKER

MEDICAL STORAGE CABINET

MODULAR TRAY SYSTEM



CEA 330 Steel Storage Cabinet is completely resistance from impact and rough handling during transportation and installation.
Free from defects.
Corrosion resistance.
Fine finish.

DENTAL EQUIPMENT CART TROLLEY

S.S STEEL

LAYERED CART/TROLLEY



Portable durable to use.
360 rotation for navigating tight corners.
It can Provide enough space for storage tools.
Suitable for dental hospital and clinic.

AUTHORISED DEALER



ASSOCIATED BRANDS





TRICHUR SURGICALS
An ISO 13485 CERTIFIED COMPANY

THRISSUR

📍 Parijath Building,
Patturaikal, Thrissur,
Kerala - 680 022.
Phone: +91 9447 02 0813
E-mail: trichur@trisco.in

KOCHIN

📍 MES Building,
Judges Avenue, Kaloor,
Kerala - 682 017.
Ph: +91 9446 42 0554
E-mail: info@trisco.in

TRIVANDRUM

📍 Devi Scans Building,
Medical College,
Thiruvananthapuram,
Kerala - 695 011.
Ph: +91 8589 09 6554
E-mail: tvn@trichursurgicals.com

CALICUT

📍 The Hive, Mini Bypass Road,
Puthiyara, Calicut,
Kerala - 673 004.
Ph: +91 8589 02 5554
E-mail: calicut@trisco.in



🌐 SHOP ONLINE
www.trisco.in



www.trisco.in
www.trichursurgicals.com