



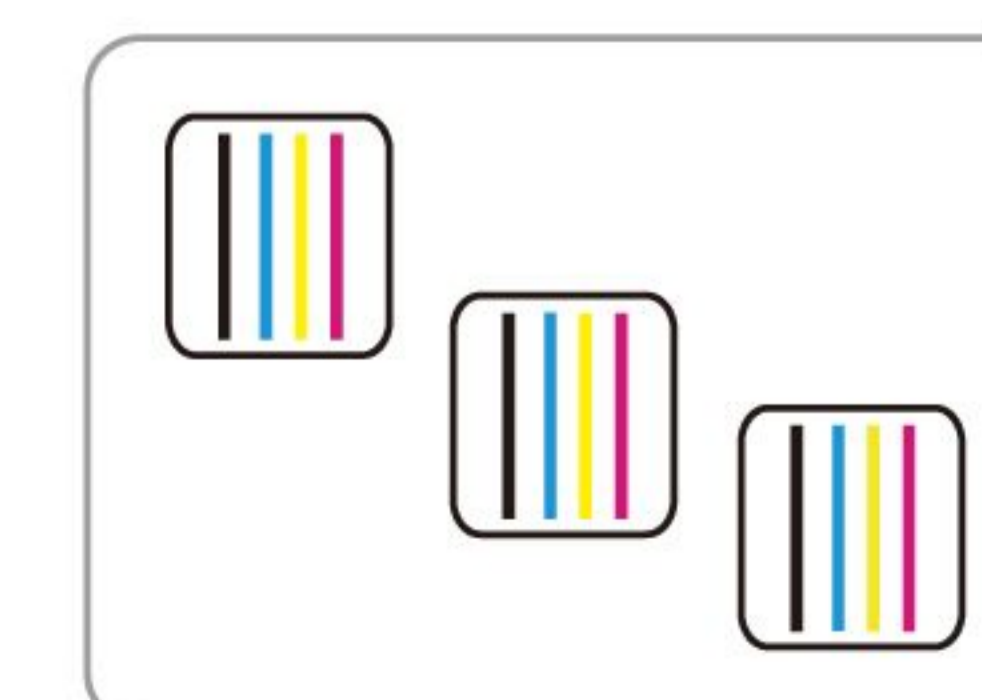
Grando Sublimation Ink



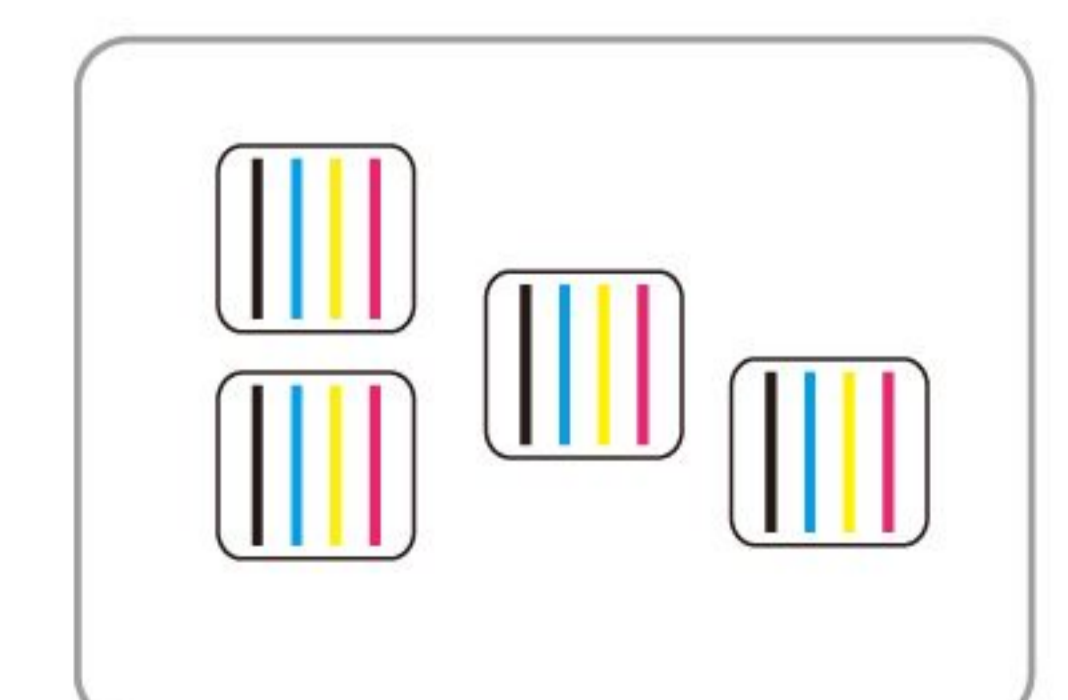
\* 1.8m Three I3200 Print Heads Speed

360x1800dpi - 3pass	93 m <sup>2</sup> /h
720x1200dpi - 4pass	72 m <sup>2</sup> /h
720x1800dpi - 6pass	51 m <sup>2</sup> /h

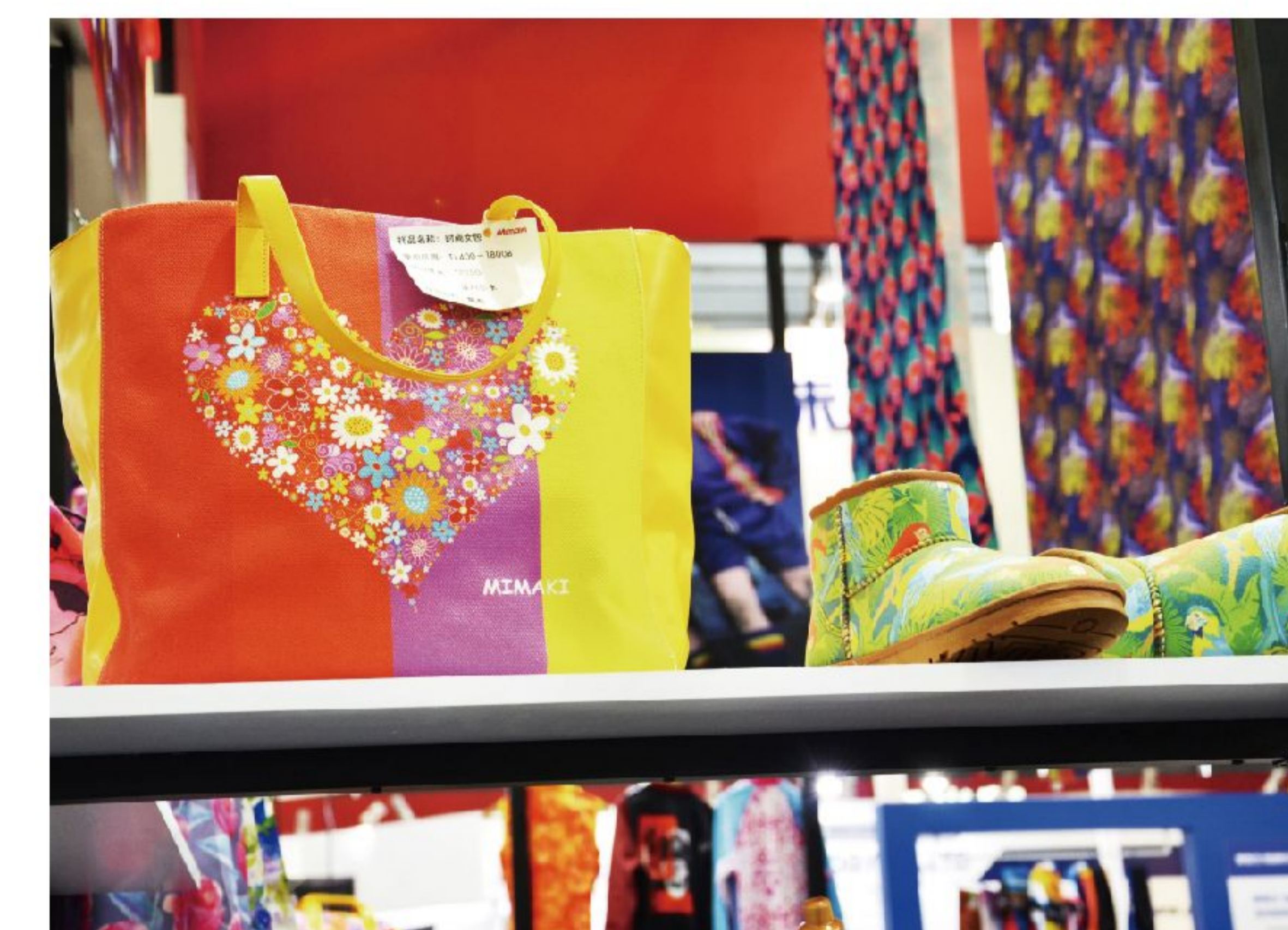
Three I3200 Heads



Four I3200 Heads  
CMYK







## ● Technical Specifications

Print Head	Three I3200 Print Heads	Four I3200 Print Heads
Printing Technology	Piezoelectric Inkjet	
Acceptable Media	Width	71.6 in.(1820 mm)
	Thickness	Maximum 39 mil(1 mm)
	Weight	220 lb.(100 kg)
Printing Width	70.8 in.(1800 mm)	
Ink Cartridges	Type	Dye Sublimation Ink
	Capacity	4*4 CISS (220ml ink cartridge with 3L ink tank)
	Color	4 colors (Cyan, Magenta, Yellow, Black),8 colors optional
Printing Resolution	Maximum 3600 dpi	
Printing Speed	3pass(360x1800dpi):	1000 sqft (93 sqm/h)
	4pass(720x1200dpi):	774 sqft (72 sqm/h)
	6pass(720x1800dpi):	548 sqft (51 sqm/h)
Printing Speed	3pass(360x1800dpi):	110 sqm/h
	4pass(720x1200dpi):	80 sqm/h
	6pass(720x1800dpi):	70 sqm/h
Media Heating System	Intergrated post heater & Infrared Dryer & Fan system	
Interface	USB 3.0	
Power Supply	AC 220V ± 10%, 50/60 HZ	
Dimensions(with stand)	126.5(W)x31.5(D)x54(H) in.	
	(3213(W)x800(D)x1370(H) mm )	
Weight(with stand)	1102.3 lb. (500 kg)	
Package Dimensions	131.8(W)x44.4(D)x71.6(H) in.	
	( 3350(W)x1130(D)x1820(H) mm )	
Package Weight	1344.8 lb. (610 kg)	
Environment	Power on	Temperature: 59 ℉ to 90 ℉ [15℃ to 32℃] / Humidity: 35 to 80% (no condensation)
	Power off	Temperature: 41 ℉ to 104 ℉ [5℃ to 40℃] / Humidity: 20 to 80% (no condensation)
Accessories	USB cable, media clamp, manual, drain bottle, ink cartridges, RIP software, etc.	



Front expander



Rear media balance bar



High-precision mute rail.



Stable 3L bulk system ensures amazing printing speed.



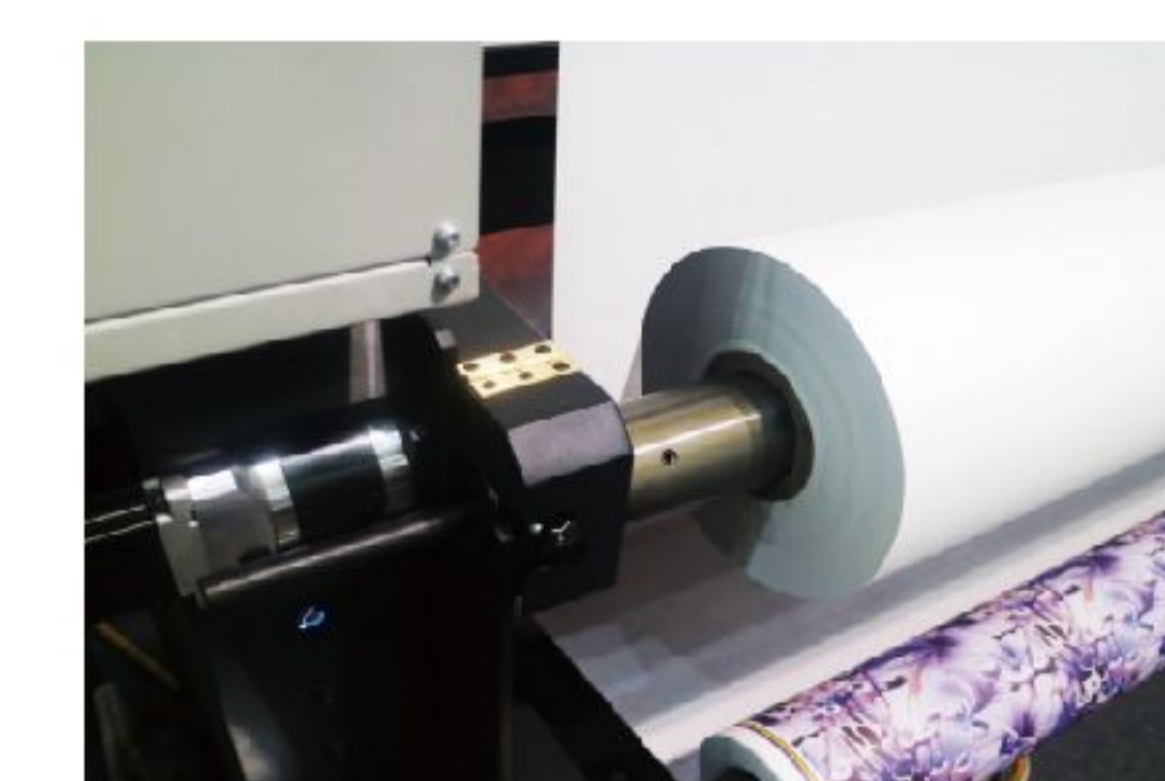
Inflatable take up and feed media shaft.



Integrated IR & cooling fan system.



Media retraction tension bar.



Junbo media roll maximum 1000m media load.





I 3200



Data Sheet  
Epson Inkjet Head I Series

**1. PrecisionCore Technology**

- a. All MEMS manufacturing and thin film piezo element can realize high precision and high density(600 npi / 2 rows of nozzles). Contributes to compact, high speed, high quality, and high image quality.
- b. Precision made of Epson unique MEMS nozzles and an ink flow path ensure the perfectly round ink droplets are placed accurately and consistently.

**2. Support for grey-scale**

Epson's unique Variable Sized Droplet Technology (VSDT) delivers smooth gradation by freely control to eject the droplet volume.

**3. High resolution**

Ink ejection of up to 4 colours realize with high resolution (600 dpi/colour). In addition to the I3200, I1600 has also been added to the lineup in order to meet the various customer needs.

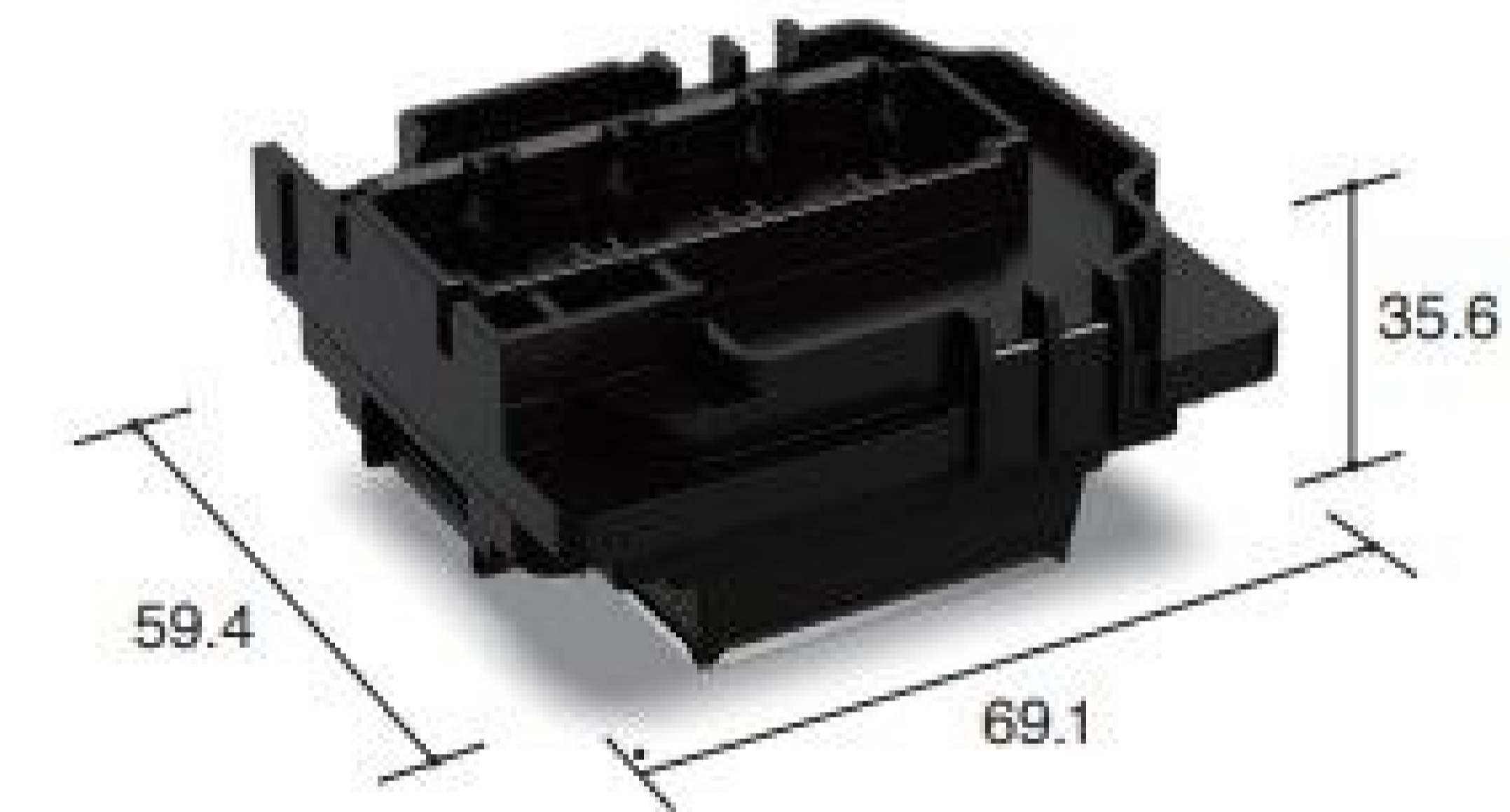
**4. High durability**

PrecisionCore print head has proven high durability and extended service life by Epson's industrial printers.

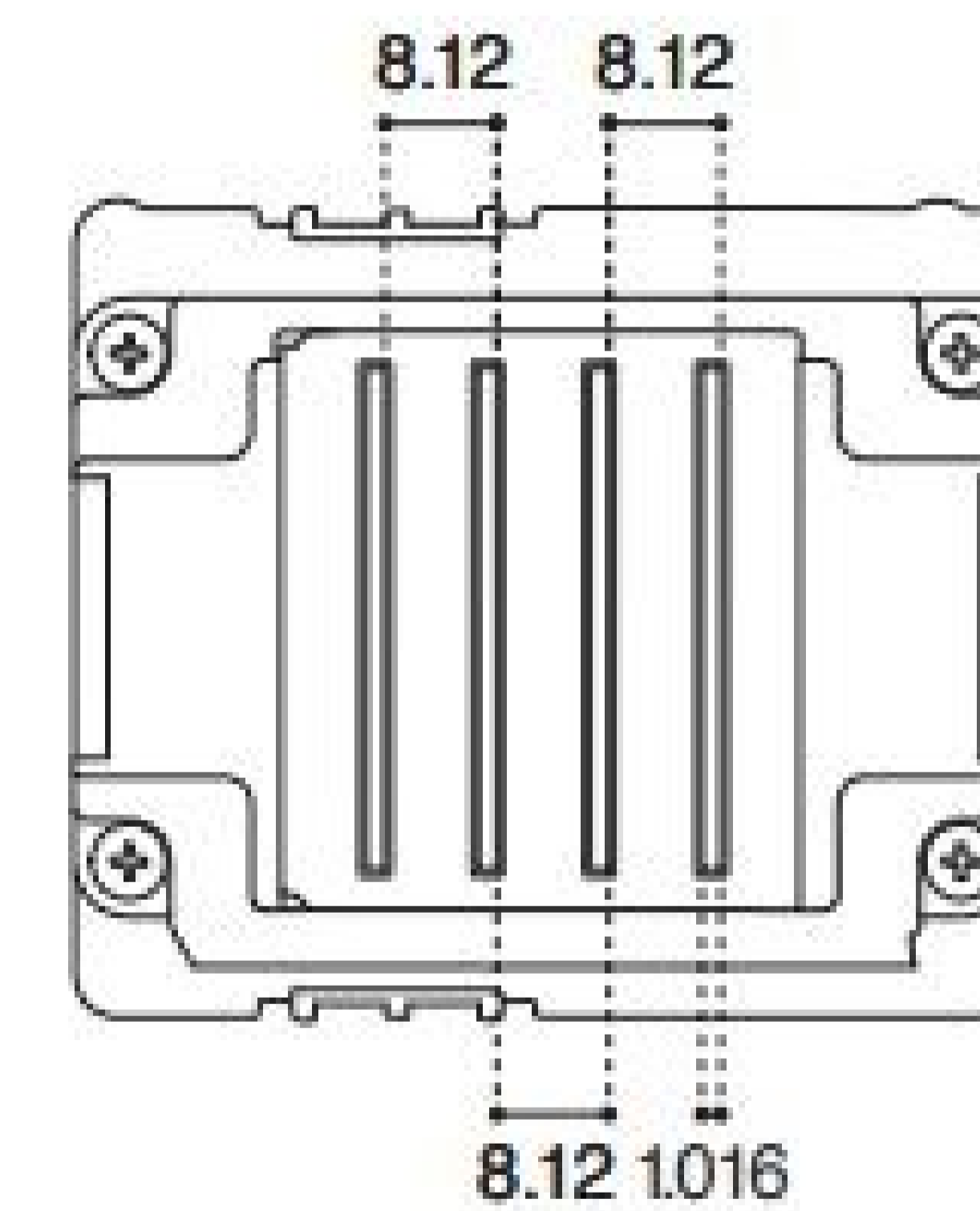
■ Product Specifications

Product name	I 3200-U1	I 3200-E1	I 3200-A1
Ink type	UV	Eco Solvent	Aqueous
Type	PrecisionCore MicroTFP printhead		
WidthxDepthxHeight	69.1x 59.4 x 35.6 mm		
Weight	82 g		
Number of nozzle	3200		
Nozzle pitch/nozzle row	1/300 inch		
Nozzle rows	8 rows		
Nozzle Resolution	300 npi /row 600 npi/2 rows		
Max. number of colour inks	4 colours		
Effective print width	33.8 mm (1.33 inches)		
Droplet ejection performance	Binary	5 pl at 43.2 kHz	6 pl at 43.2 kHz
	3 levels grey scale	6, 12.5 pl at 21.6 kHz	6.3, 12.3 pl at 21.6 kHz
	4 levels grey scale	3.8, 6.2, 9.3 pl at 21.6 kHz	3.8, 5.5, 8.7 pl at 21.6 kHz
Viscosity range	5-7 mPa·s		3-4 mPa·s
Positioning Mechanism	Reference hole		

■ Product size (mm)



■ Nozzle (mm)



■ External dimensions (mm)

