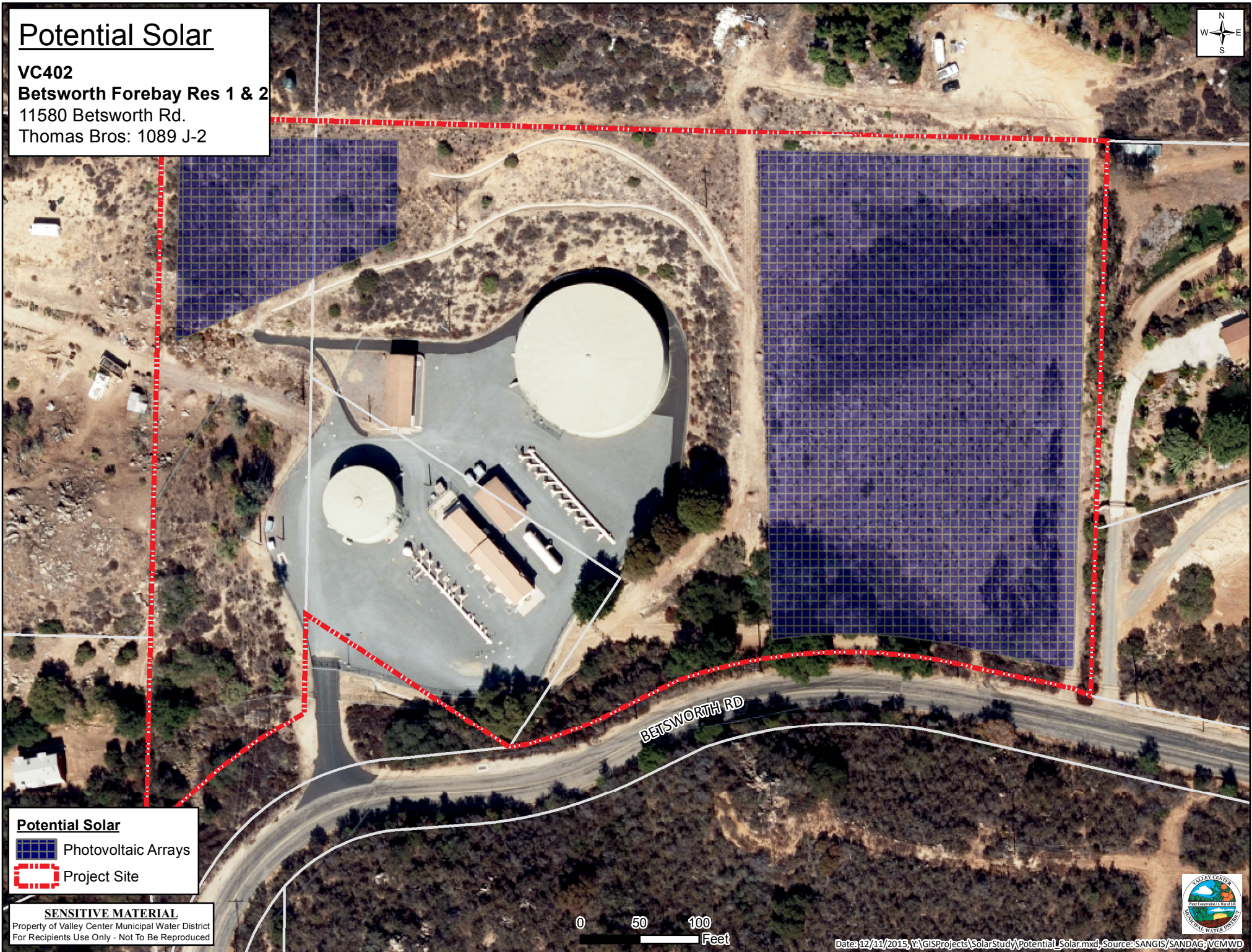




Potential Solar

VC402
Betsworth Forebay Res 1 & 2
11580 Betsworth Rd.
Thomas Bros: 1089 J-2

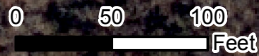


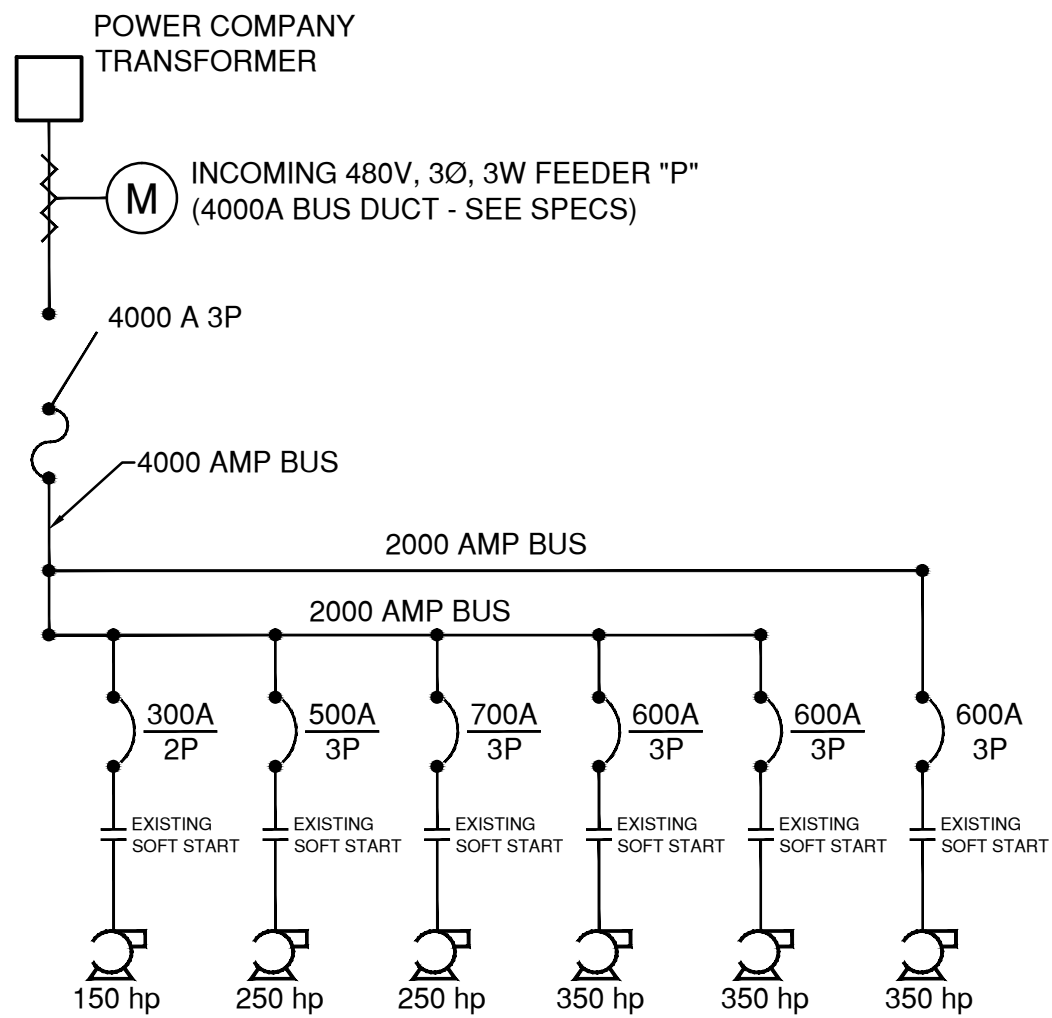
Potential Solar

-  Photovoltaic Arrays
-  Project Site

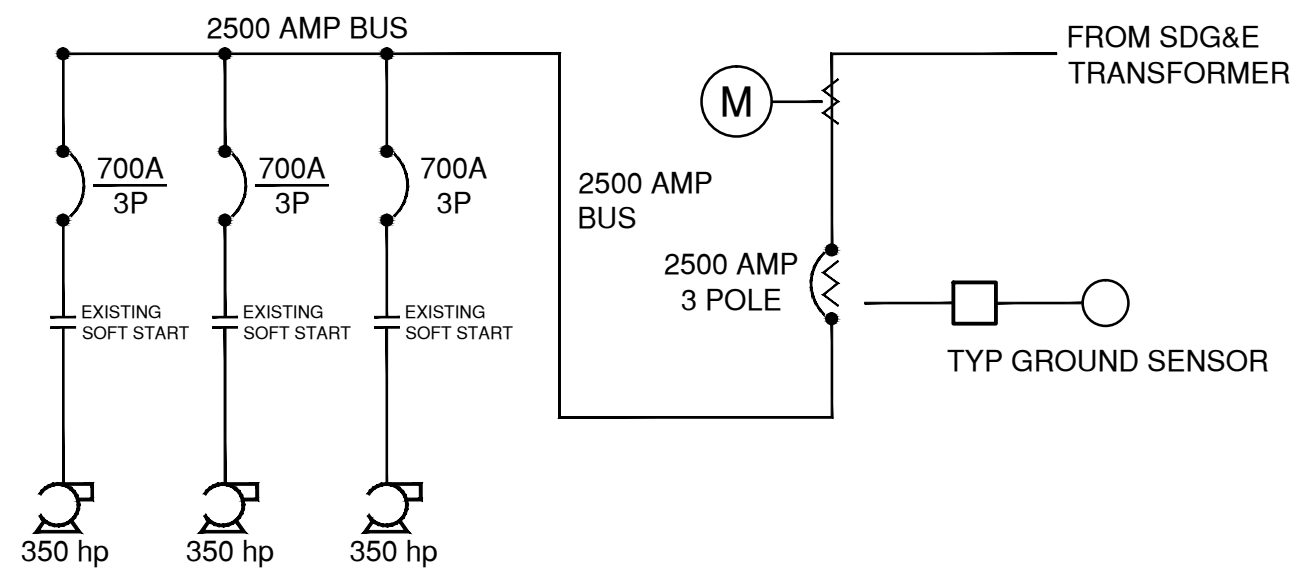
SENSITIVE MATERIAL

Property of Valley Center Municipal Water District
For Recipients Use Only - Not To Be Reproduced





**WEST SIDE
(NO.1 THRU NO. 6)**



**SOUTHWEST SIDE
(NO.15 THRU NO. 17)**

ENGINEER/CONSULTANT JOB NUMBER: 3 Jan 09, 2020 - 3:22pm F:\Engineering\Maping\Brewer\Working\2019_Solar\BETS\WORTH_LFS_SOUTHWEST.dwg

| | | | |
|-----|------------------|-------------|------|
| No. | Approved Changes | Approved By | Date |
| | | | |
| | | | |
| | | | |

| | |
|------------------------------|------|
| VALLEY CENTER WATER DISTRICT | |
| DISTRICT ENGINEER | DATE |

VALLEY CENTER MUNICIPAL WATER DISTRICT
 29300 VALLEY CENTER ROAD * P. O. BOX 67 *
 VALLEY CENTER, CALIFORNIA 92082
 (760) 749-1600

| |
|------------|
| VCMWD JOB# |
| DATE |
| DRAWN BY |
| CHKD. BY |

SOLAR SYSTEM IMPROVEMENTS
BETSWORTH PUMP STATION
 ONE-LINE ELECTRICAL