

Potential Solar


VC001

Corporate Facility Site

29300 Valley Center Rd.



Detail

 Photovoltaic Arrays

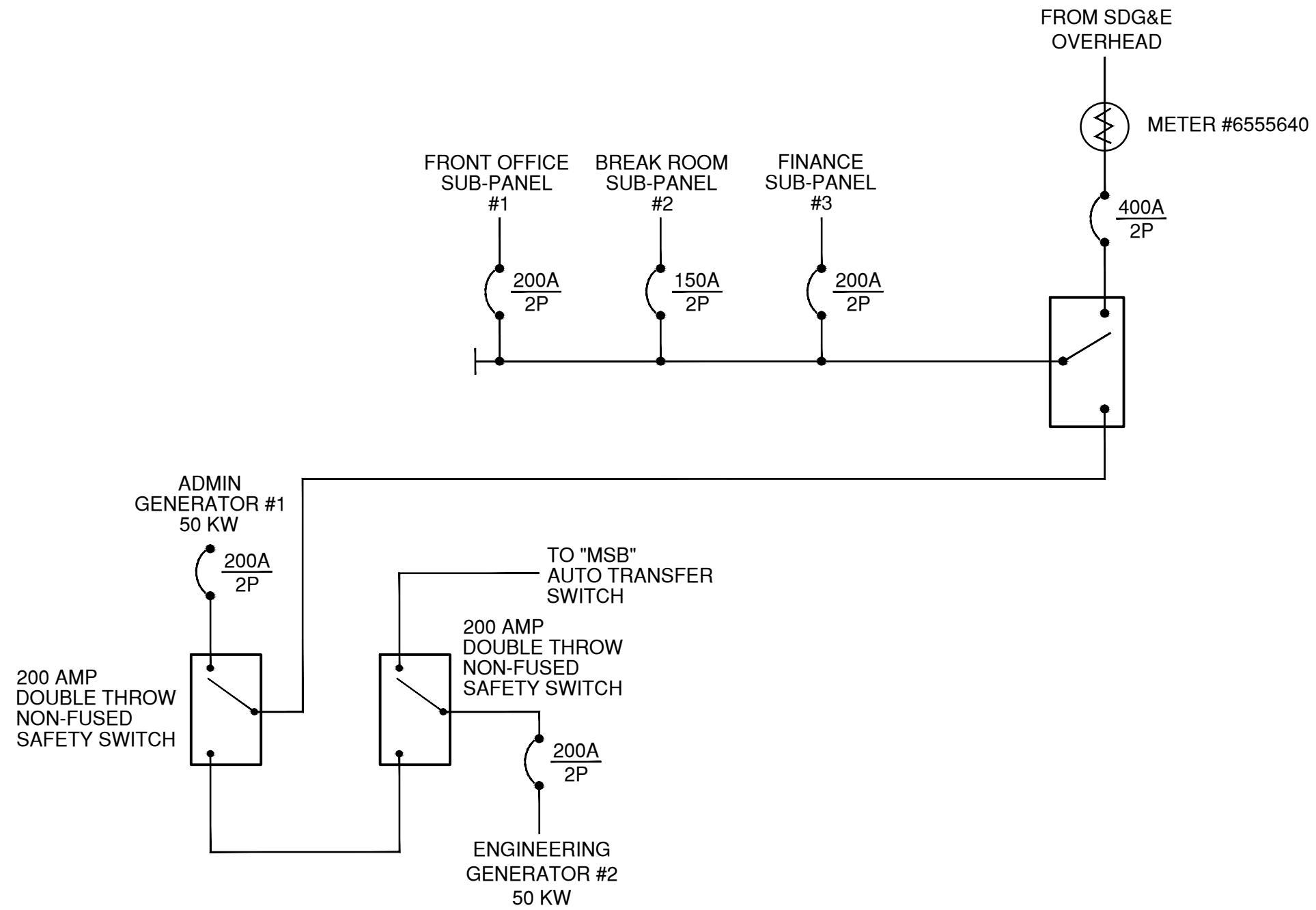
 Project Site

SENSITIVE MATERIAL

Property of Valley Center Municipal Water District
For Recipients Use Only - Not To Be Reproduced



ENGINEER/CONSULTANT JOB NUMBER: 3 Jan 09, 2020 - 3:28pm F:\Engineering\Mapping\CBrewer\Working\2019_Solar\VC\MTEL_BLDG_A.dwg



No.	Approved Changes	Approved By	Date

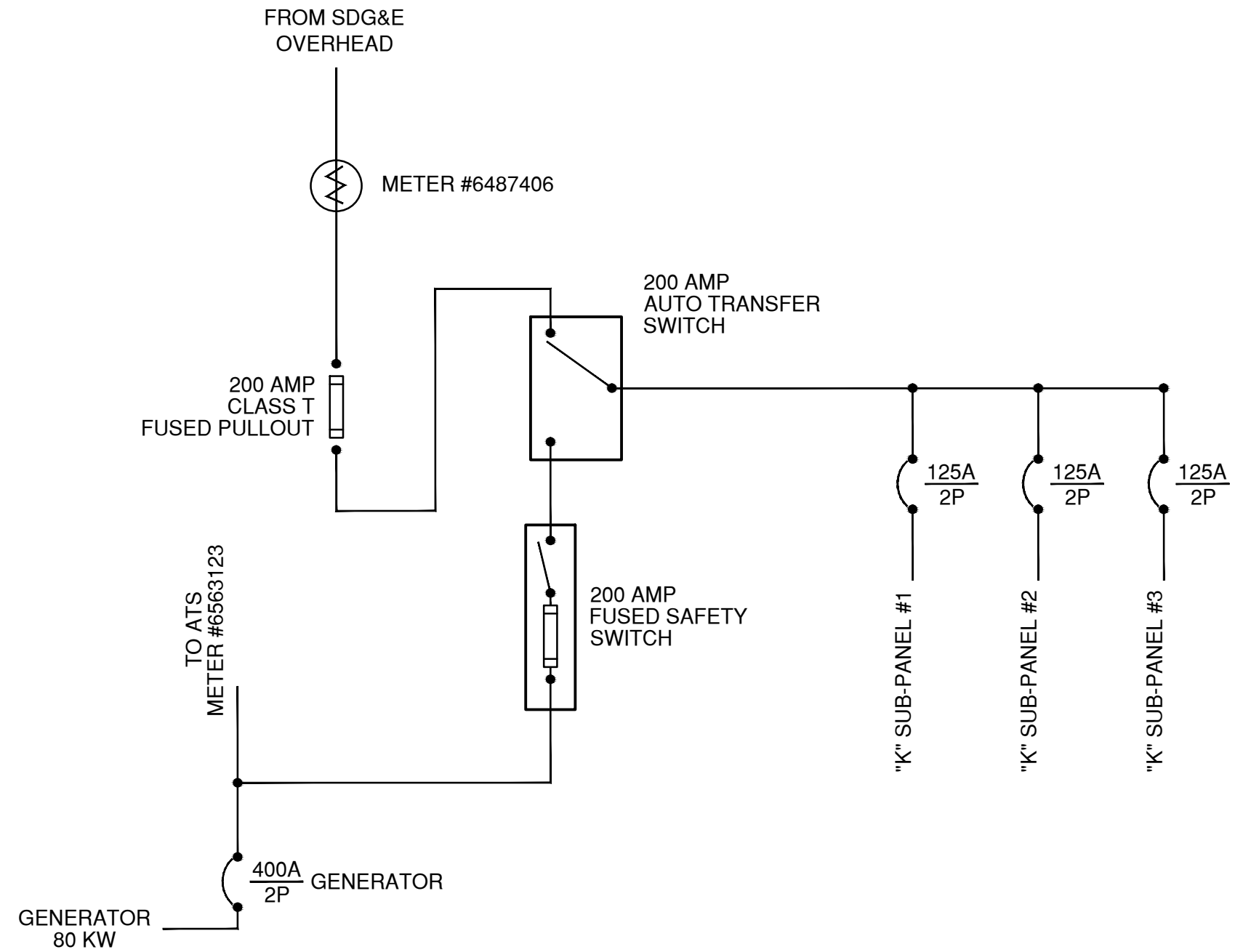
VALLEY CENTER WATER DISTRICT	
DISTRICT ENGINEER	DATE

VALLEY CENTER MUNICIPAL WATER DISTRICT
 29300 VALLEY CENTER ROAD * P. O. BOX 67 *
 VALLEY CENTER, CALIFORNIA 92082
 (760) 749-1600

VCMWD JOB#:
DATE:
DRAWN BY:
CHKD. BY:

SOLAR SYSTEM IMPROVEMENTS
ADMIN BUILDING "A"
ONE-LINE ELECTRICAL

ENGINEER/CONSULTANT JOB NUMBER: 3 Jan 09, 2020 - 3:20pm F:\Engineering\Mapping\Valley Center\Working\2019_Solar\BOARD_ROOM_K.dwg



No.	Approved Changes	Approved By	Date

VALLEY CENTER WATER DISTRICT	
DISTRICT ENGINEER	DATE

VALLEY CENTER MUNICIPAL WATER DISTRICT
 29300 VALLEY CENTER ROAD * P. O. BOX 67 *
 VALLEY CENTER, CALIFORNIA 92082
 (760) 749-1600

VCMWD JOB#:
DATE:
DRAWN BY:
CHKD. BY:

SOLAR SYSTEM IMPROVEMENTS
BOARD ROOM "K"
ONE-LINE ELECTRICAL

FROM SDG&E
OVERHEAD



METER #6563123

400A
2P

"E" SUB-PANEL #1

LOWER YARD

"G" SUB-PANEL #1

"E" SUB -PANEL #2

"I" MECHANICS BAY

"E" LOCKER ROOM A/C

"E"

"E"

400 AMP
AUTO TRANSFER
SWITCH

200A
2P

100A
2P

100A
2P

100A
2P

200A
2P

50A
2P

20A
2P

20A
1P

TO TRANSFER SWITCH
ON METER #6487406

400A
2P GENERATOR
GENERATOR
80 KW

3 Jan 09, 2020 - 3:19pm F:\Engineering\Maping\Valley\CONSTRUCTION\LE_6_I.dwg
ENGINEER/CONSULTANT JOB NUMBER:

No.	Approved Changes	Approved By	Date

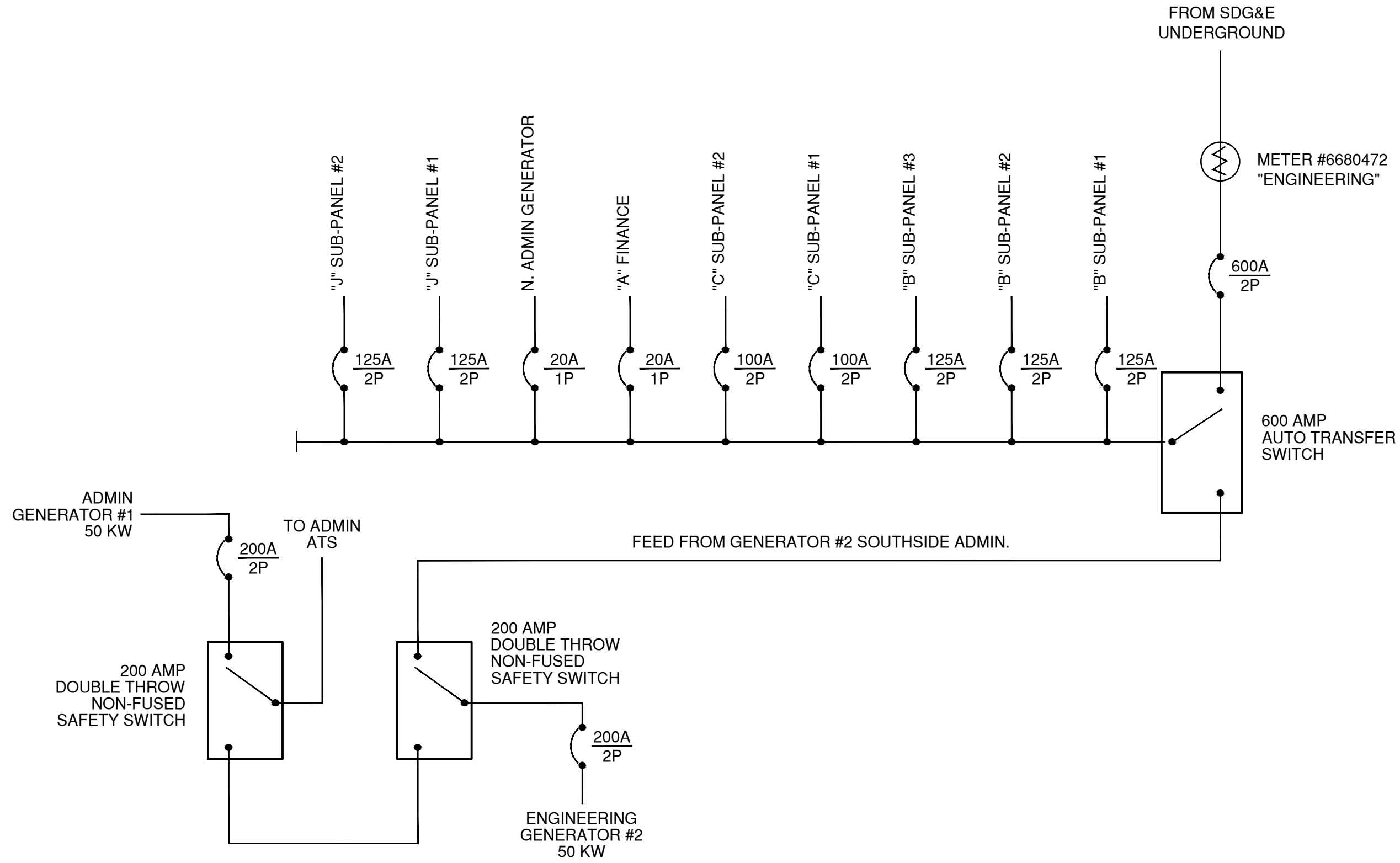
VALLEY CENTER WATER DISTRICT	
DISTRICT ENGINEER	DATE

VALLEY CENTER MUNICIPAL WATER DISTRICT
 29300 VALLEY CENTER ROAD * P. O. BOX 67 *
 VALLEY CENTER, CALIFORNIA 92082
 (760) 749-1600

VCMWD JOB#:
DATE:
DRAWN BY:
CHKD. BY:

**SOLAR SYSTEM IMPROVEMENTS
 CONSTRUCTION "E", "G", "I"
 ONE-LINE ELECTRICAL**

3 Jan 09, 2020 - 3:18pm F:\Engineering\Maping\Brewer\Working\2019_SOLAR\ENGINEERING_A_B_C_J.dwg
 ENGINEER/CONSULTANT JOB NUMBER:



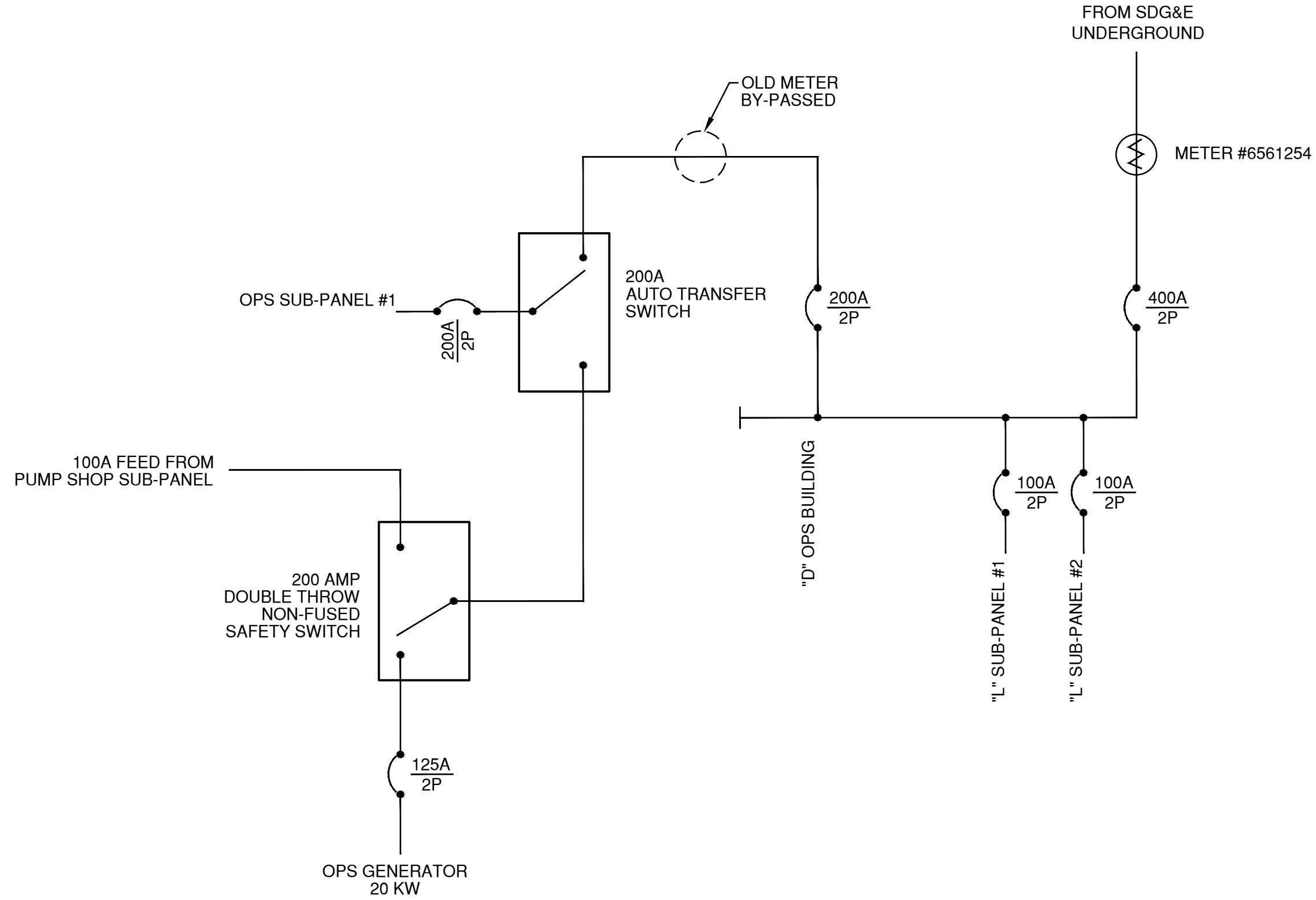
No.	Approved Changes	Approved By	Date

VALLEY CENTER WATER DISTRICT
 DISTRICT ENGINEER _____ DATE _____

VALLEY CENTER MUNICIPAL WATER DISTRICT
 29300 VALLEY CENTER ROAD * P. O. BOX 67 *
 VALLEY CENTER, CALIFORNIA 92082
 (760) 749-1600

VCMWD JOB#: _____
 DATE: _____
 DRAWN BY: _____
 CHKD. BY: _____

SOLAR SYSTEM IMPROVEMENTS
ENGINEERING "A", "B", "C", "J"
ONE-LINE ELECTRICAL



ENGINEER/CONSULTANT JOB NUMBER: 3 Jan 09, 2020 - 3:14pm F:\Engineering\Maping\Valley Center\Operations\2019_SOLAR\OPERATIONS_D_L.dwg

No.	Approved Changes	Approved By	Date

VALLEY CENTER WATER DISTRICT	
DISTRICT ENGINEER	DATE

VALLEY CENTER MUNICIPAL WATER DISTRICT
 29300 VALLEY CENTER ROAD * P. O. BOX 67 *
 VALLEY CENTER, CALIFORNIA 92082
 (760) 749-1600

VCMWD JOB#
DATE
DRAWN BY
CHKD. BY

SOLAR SYSTEM IMPROVEMENTS
OPERATIONS "D", "L"
ONE-LINE ELECTRICAL