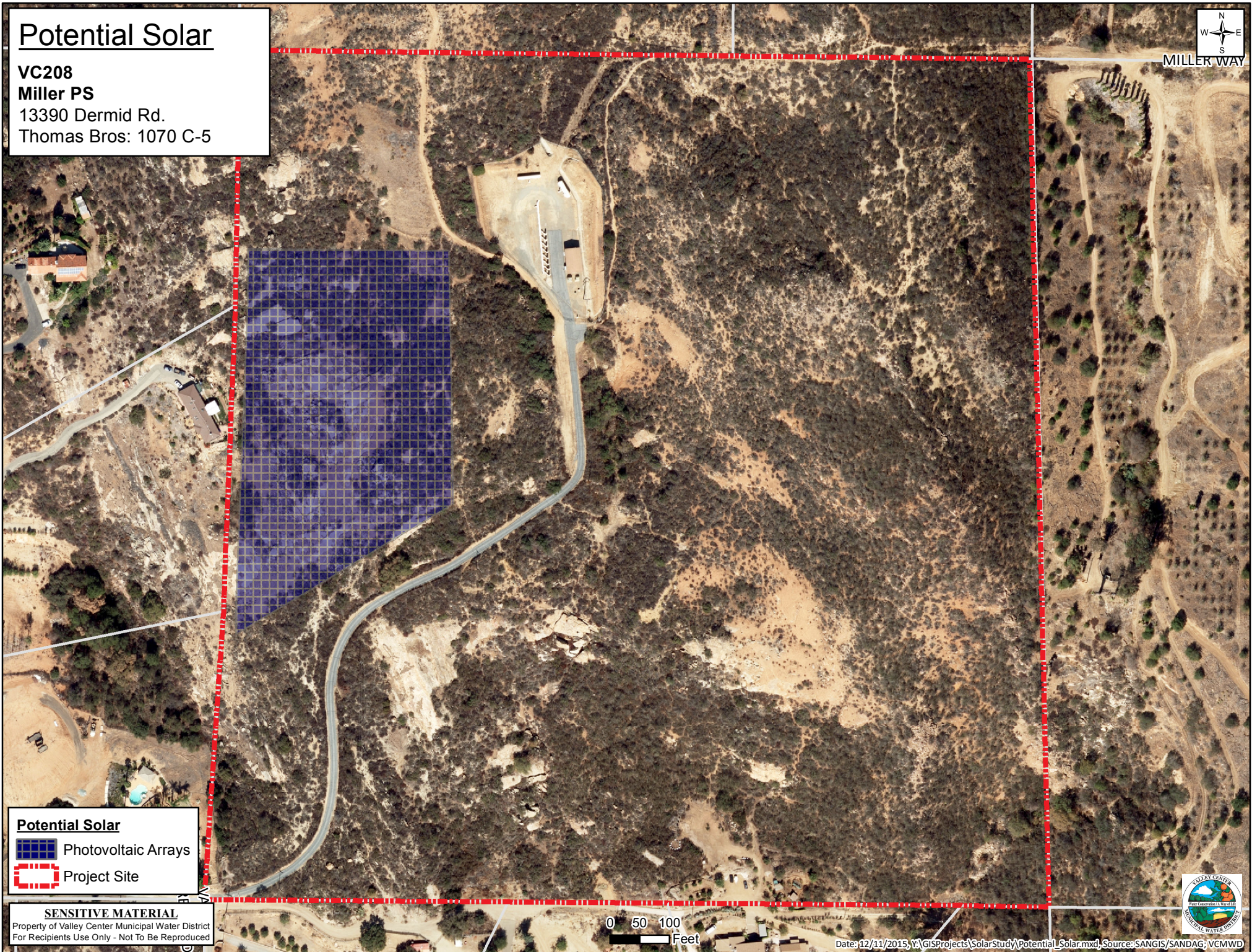




Potential Solar

VC208
Miller PS
13390 Dermid Rd.
Thomas Bros: 1070 C-5

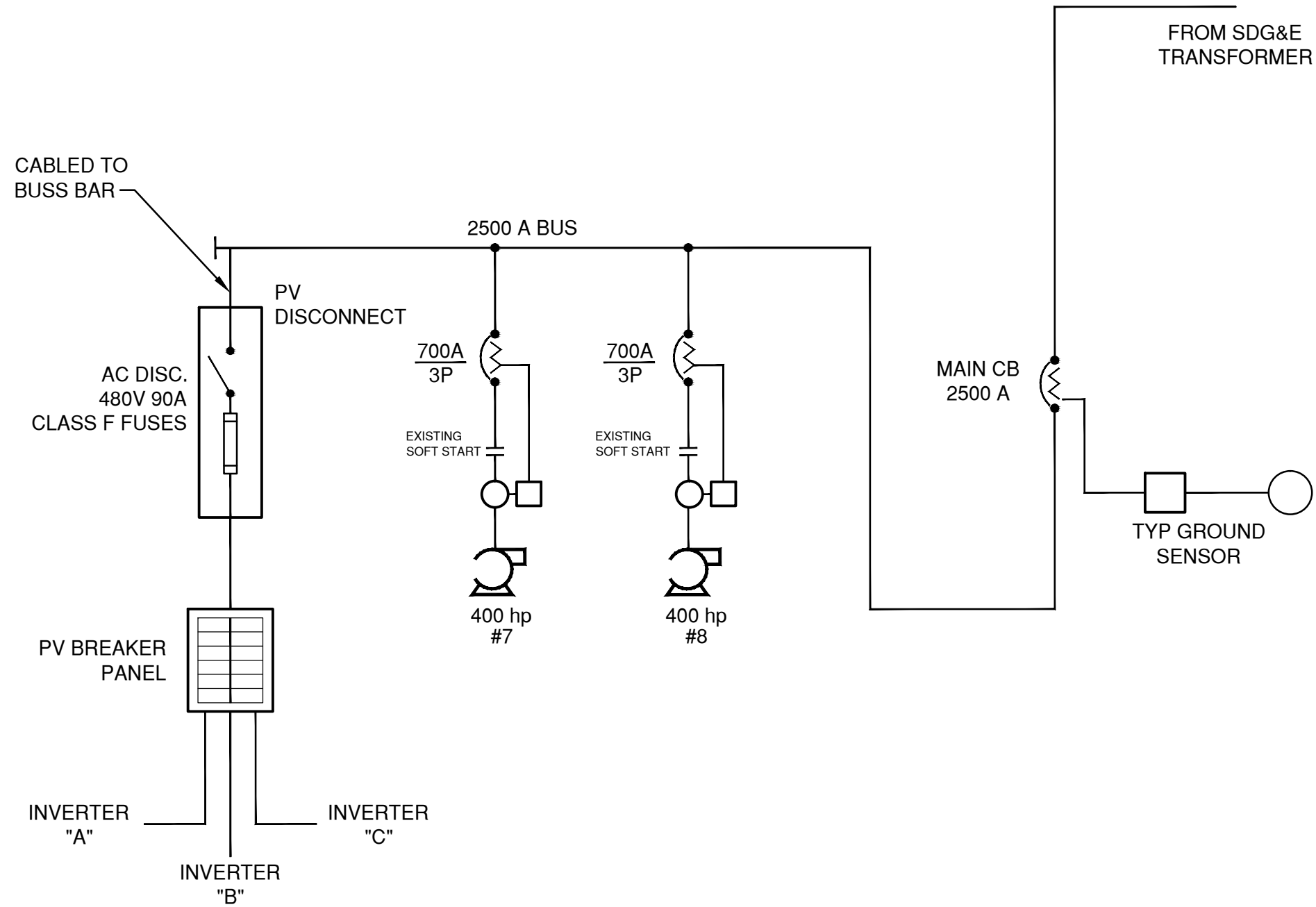


Potential Solar

-  Photovoltaic Arrays
-  Project Site

SENSITIVE MATERIAL
Property of Valley Center Municipal Water District
For Recipients Use Only - Not To Be Reproduced





**EAST BOARD
(NO. 7 & NO. 8)**

ENGINEER CONSULTANT JOB NUMBER: 2019-05-07-2020 - 3:17pm F:\Engineering\Maping\c Brewer\Working\2019_SG&E\MILLER_PS_EAST.dwg

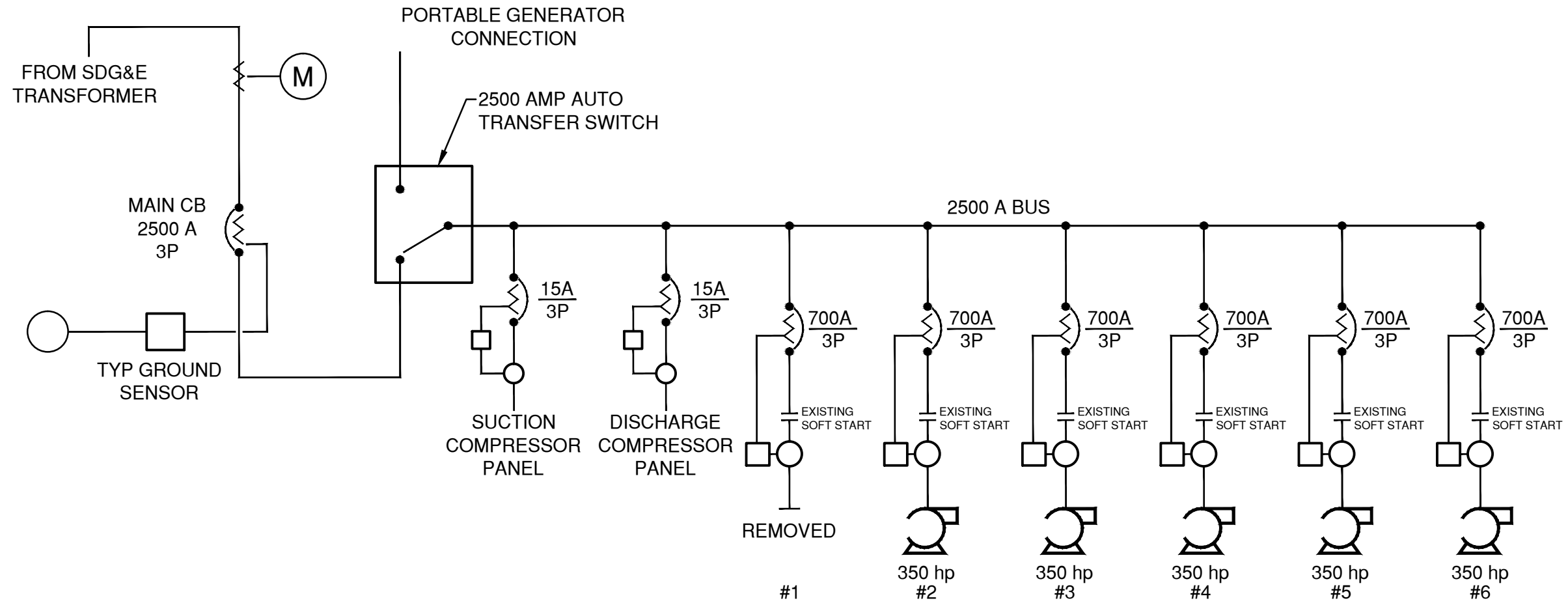
No.	Approved Changes	Approved By	Date

VALLEY CENTER WATER DISTRICT	
DISTRICT ENGINEER	DATE

VALLEY CENTER MUNICIPAL WATER DISTRICT 29300 VALLEY CENTER ROAD * P. O. BOX 67 * VALLEY CENTER, CALIFORNIA 92082 (760) 749-1600

VCMWD JOB#
DATE
DRAWN BY
CHKD. BY

SOLAR SYSTEM IMPROVEMENTS MILLER PUMP STATION ONE-LINE ELECTRICAL
--



**WEST BOARD
(NO.1 THRU NO. 6)**

ENGINEER CONSULTANT JOB NUMBER: 20190520 - 3:15pm F:\Engineering\Maping\3019_5019\WELLER_PS_WEST.dwg

		VALLEY CENTER WATER DISTRICT		VALLEY CENTER MUNICIPAL WATER DISTRICT		VCMWD JOB#:		SOLAR SYSTEM IMPROVEMENTS	
		29300 VALLEY CENTER ROAD * P. O. BOX 67 *		29300 VALLEY CENTER ROAD * P. O. BOX 67 *		DATE:		MILLER PUMP STATION	
		VALLEY CENTER, CALIFORNIA 92082		VALLEY CENTER, CALIFORNIA 92082		DRAWN BY:		ONE-LINE ELECTRICAL	
		(760) 749-1600		(760) 749-1600		CHKD. BY:			
No.	Approved Changes	Approved By	Date	DISTRICT ENGINEER	DATE				