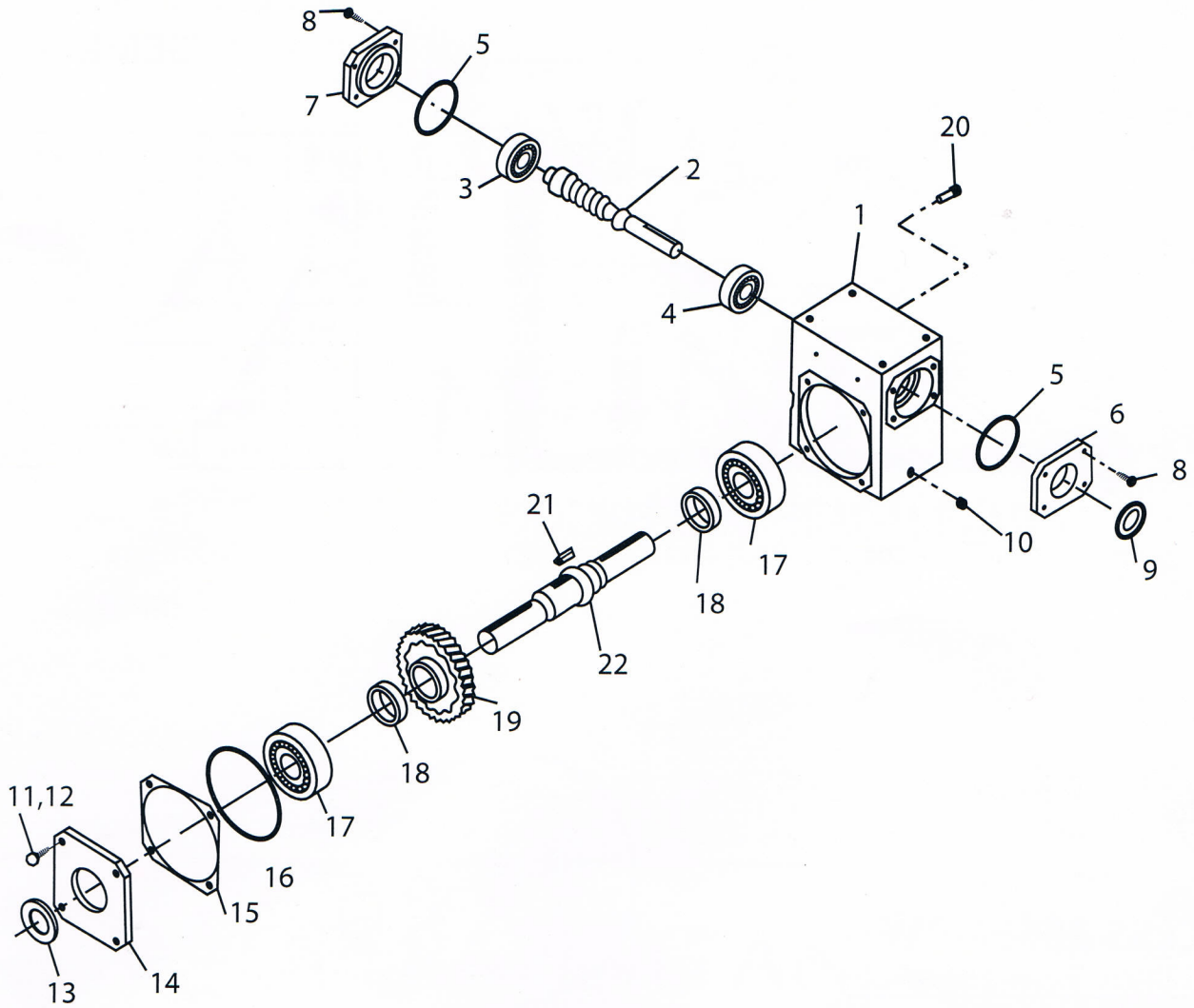


#1

GEAR BOX



REF#	PART#	DESCRIPTION	REF#	PART#	DESCRIPTION
1	18001N	HOUSING	12	18012N	BOLT 7/16-14 x 1
2	18002N	INPUT SHAFT	13	18013N	OUTPUT SEAL
3	18003N	BEARING	14	18104N	OUTPUT COVER
4	18004N	BEARING	15	18015N	SHIM
5	18005N	O-RING	16	18016N	O-RING
6	18006N	COVER (INPUT OPEN)	17	18017N	BEARING
7	18007N	COVER (INPUT SOLID)	18	18018N	SPACER
8	18008N	BOLT 7/16-14 x 1.25	19	18019N	WORM GEAR
9	18009N	INPUT SEAL	20	18020	VENT
10	18010	PIPE SEAL	21	18021N	KEY
11	18011N	7/16 LOCK WASHER	22	18022N	OUTPUT SHAFT