

BA-08C

Single Banknote Acceptor



Product Features

- Financial industrial standard
- Full surface CIS scanning
- Two pairs of belts in transportation
- Note serial NO. recording function
- Multiple magnetic detection lines
- Anti-stringing design

BA-08C adopts leading anti-counterfeit technology , such as full surface CIS scanning and multi-line magnetic detection . BA-08C meets financial industrial standard of European Central Bank . It uses high-performance processor and features leading cash processing speed . Two pairs of belts in transport unit ensure smoother transportation of old , soft and worn notes . Mechanical anti-stringing device resists fraudulence . BA-08C will surely meet your demand of efficient and secure operation .



Mass transit



Retail industry



Parking lot



Casino

BA-08C

Single Banknote Acceptor

Performance

Effective Validation

- First acceptance rate > 99%
- Complied with financial industrial standard
- High processing speed < 2.5 s/note
- Full surface CIS scanning & multi-line magnetic detection feature accurate note recognition
- Banknote serial NO. recording resists counterfeit

Security and Reliability

- Anti-stringing design prevents fraudulence
- Impact-resistant cash vault ensures cash security
- Software online upgrading rapidly embarks on latest counterfeit.

Compact Structure

- Highly compact structure effectively saves space

Low Maintenance Cost

- Enclosed transport unit effectively prevents dust, accommodates harsh environment
- Cash vault is designed with sight glass to find out bill jam.
- Solve bill jam in need of no professional tools
- Non-electric design makes cash vault more durable
- Industrial part features long service life

Specifications

Bill Insertion

- Single lengthwise insertion in 4 ways

Detection

- Full surface CIS scanning & multi-line magnetic detection
- Banknote serial NO. recording
- Processing speed < 2.5 s/note

Denominations and Dimensions

- Simultaneously accepts 100 denoms.
- Length range: 120~170 mm;
- Width range: 62~85 mm.
- Thickness range: 0.06~0.18mm

Capacity

- Cash vault : 1000 notes
- Escrow : 1 note

Maintenance Direction

- Front access

Power Supply

- DC12V & 24V , 3A (max.)

Communication Interface

- RS-232 or USB

Weight

- Module: 4.5kg
- Vault: 1.2kg

Environment

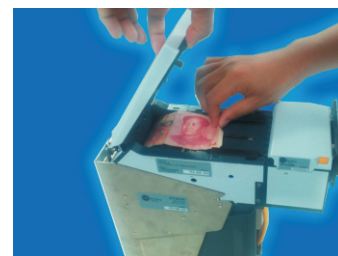
- 0°C~50°C , 20%~90%RH

MCBF

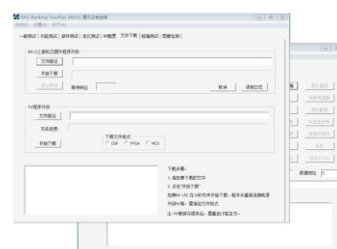
- > 100,000 cycles



Multiple detection ways

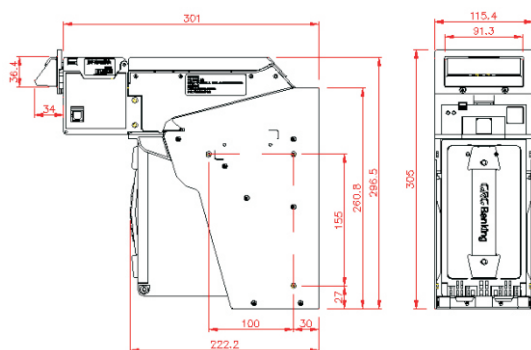


Easy solution of bill jams



Online software upgrading

Outline Dimension Drawing (Unit: mm)



Note : In case the specifications be upgraded, you may as well contact with us to get the latest information.

The picture shall be taken as a reference. The product appearance depends on goods.

GRGBanking Equipment Co., Ltd.

Address : 9 Kelin Road, Luogang District, Guangzhou, China 510663

Sales TEL : (+86 020) 6287 8085 FAX : (+86 020) 6287 8516

E-mail : afc@grgbanking.com