



DT-7000

TCR71

Teller cash recycler



Self-made cash recycling technology



Serial Number Tracking



Premier Security



Multi-denomination support



Dual-operator support

As modern bank branches continue to improve, the efficiency, automation and recycling technology are in high demand for giving instant gratification for customers. By providing high processing speed, big capacities, and multi-denomination support capabilities, GRGBanking's TCR71 would be the favorable assistant for financial institutions to meet the requirements of branch automation to create the perfect environment for tellers to focus more on customer service and satisfaction.

TCR71 Teller cash recycler

Features

Unrivaled Innovation: With the latest GRGBanking recycling technology, the TCR71 can support 8 denominations recycling with a recycling speed of 12 notes/sec, which greatly improves the efficiency while ensuring multi-denomination support. Additionally, the dual-operator support feature of the TCR71 also increases financial institutions input to output ratio.

Serial Number Tracking: With OCR (Optical Character Recognition) technology for cash tracing and tracking, the TCR71 can record serial numbers of processed notes, and therefore to avoid the difficulty of account reconciliation, cash fraud, and other deceptive actions for financial institutions.

Premier Security: The TCR71 contains a UL291 Level 1 safe with an optional vibration alarm and remote monitoring software solution ensure a secure transaction environment. Biometric authentication is also available on the TCR71, which creates the capability of preventing misuse and improper authorization during operating.

Specifications

Controlling Unit

- Intel® Celeron J1900/4Cores/2.0GHz CPU,4G RAM
- 500G HDD
- Windows® 7/10

Banknote Processing Unit

- Deposit & dispensing speed: 12 notes per second
- Recycling denomination support: Max. 8
- Maximum of 5 cassettes:
 - 4 Dual-Recycling Cassettes
 - 1 Recycling Cassette
- Cassette capacity:
 - Recycling Cassettes max. 2,850 notes
 - Dual-Recycling Cassette max. 1,800 notes (600/1,200)
(The Dual-Recycling Cassette has two recycling compartments inside, which can accept 600 and 1,200 notes respectively.)
- Retract bin capacity: 500 notes
- Escrow capacity: 200 notes

Operator Interface

- Display:
 - 7" LCD touch screen
- Fingerprint scanner (opt.)

Communication

- Standard TCP-IP connection

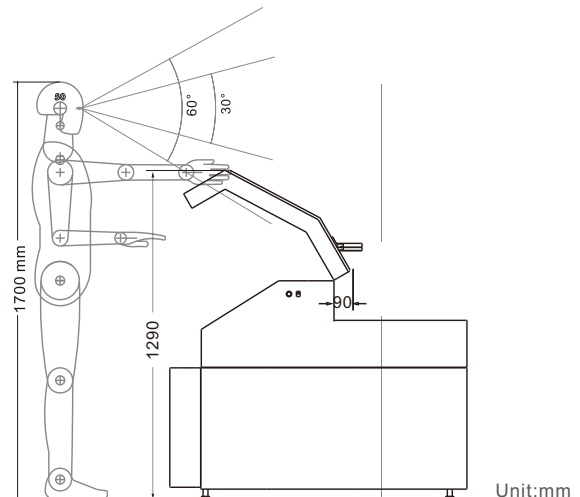
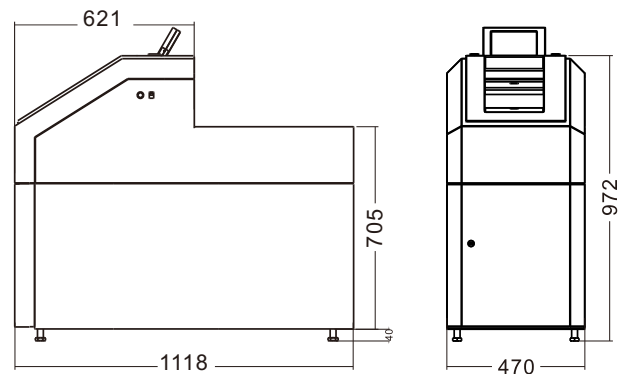
Security

- Physical:
 - Mechanical combination lock
 - Standard UL291 Level 1 safe
- Vibration alarm (opt).

*The actual capacity is subject to the thickness and fitness of local currency.

Working Environment

- Temperature:
 - Indoor: 32°F(0 °C) to 104°F(40°C);
- Temperature alarm (opt).
- Relative humidity: 20% to 95% non-condensing



GRGBanking Equipment Co., Ltd.

9,11 Kelin Road, Science City, High-tech Industrial Development Zone,
Guangzhou, China 510663
Tel: +86-20-6287 8545
Fax: +86-20-6287 9976
E-mail: atm@grgbanking.com

Copyright © 2019 by GRGBanking Equipment Co., Ltd.
All rights reserved.

Specifications are subject to update without prior notice.
Please consult GRGBanking or its representative for the latest information.