



AIREY-THOMPSON™
Manufacturing Quality Luminaires

**20L SERIES LED
ASYMMETRIC COVE
LIGHTING
AIMABLE SPEC
GRADE / MADE IN USA**



FEATURES

- Smooth asymmetrical beam pattern
- Adjustable / Aimable mounting 85 degree range
- Multiple lumen packages to choose from
- Made in the USA / Buy American Compliant



**HANDCRAFTED
IN THE USA**

120/277v



Integral Driver



Intertek



**COLOR
CONSISTENCY
<3 SDMC**

L70>72,000

80+CRI

90+AVAIL.



AIREY-THOMPSON[™]
Manufacturing Quality Luminaires

**20L SERIES LED
ASYMMETRIC COVE
LIGHTING
AIMABLE SPEC
GRADE / MADE IN USA**

SPECIFICATIONS

LED ARRAY

High density LED arrays are used to maximize visual appeal. Only premium quality Samsung LED chips are used and are available in 2700K, 3000K, 3500K, 4000K and 5000K with a tested CRI of 85, 90+ is available. Arrays are mounted to an aluminum cover for thermal management to extend LED life. Color consistency < 3 Step MacAdams.

ELECTRICAL

Integral 120/277V, 0-10V dimmable drivers are standard. 1% 0-10V dimming driver optional.

CONSTRUCTION

Satin anodized extruded aluminum housing and LED mounting. Lens is extruded clear acrylic for maximum efficacy. Aluminum end caps with no visible screws. Stainless steel lens mounting clip. Adjustable angle mounting brackets.

PERFORMANCE

136 Lumens per watt for 4000K. Three standard light output options: Normal 5 watts and 675 lumens per foot, High 7 watts and 945 lumens per foot, Very high 10 watts and 1350 lumens per foot. Custom lumen programming available up to 1800 lumens per foot. L70 > 72,000 Hours. CRI 80+ standard, 90+ is optionally available.

WARRANTY

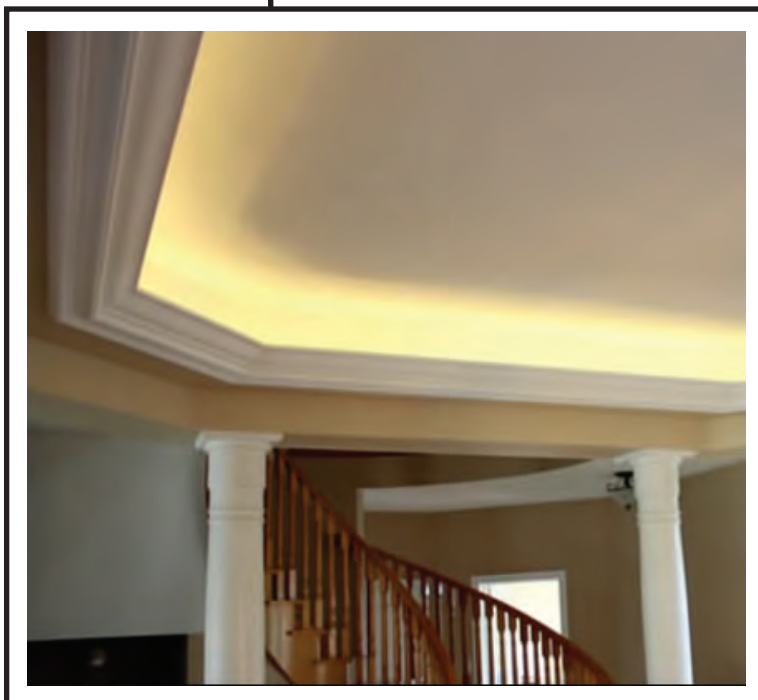
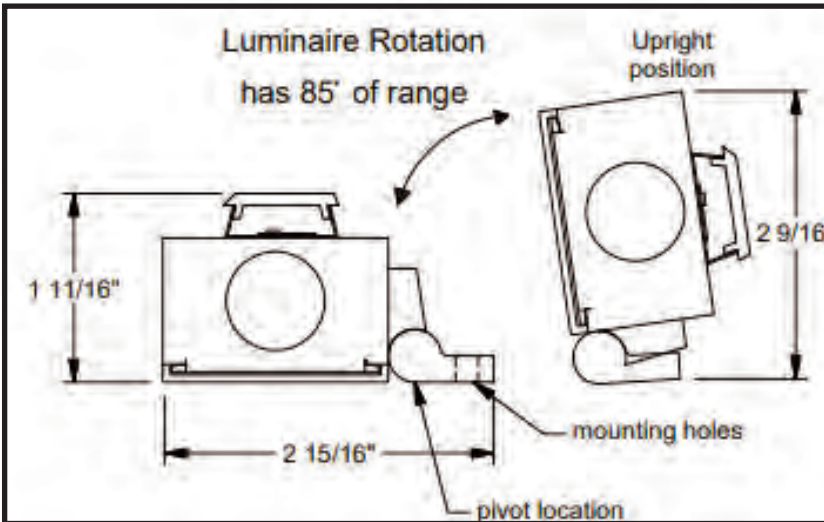
Luminaire warranted for 5 years from the date of manufacturing, see Airey-Thompson distributor terms and conditions for more details.



AIREY-THOMPSON™
Manufacturing Quality Luminaires

**20L SERIES LED
 ASYMMETRIC COVE
 LIGHTING
 AIMABLE SPEC
 GRADE / MADE IN USA**

How to build a part number	Product Series	Light Output	Color Temperature	Length in Inches	Housing Color	Dimming Options	Beam Selection
Part number format	20L	N	40K	96	0	-D10	-AS1
Choices	20L	N= Normal H= High V= Very High (Custom up to 1800LM/FT)	27K 30K 35K 40K 50K	12 24 36 48 60 72 84 96	0= Satin	-D10 0-10V dimmable driver -D11 1% 0-10V dimming	-AS1 Asymmetrical beam



Cove example

Adjustable aim mounting brackets allow quick and easy field aiming to put light right where your application needs it with 85 degrees of adjustability.



AIREY-THOMPSON™
Manufacturing Quality Luminaires

**20L SERIES LED
 ASYMMETRIC COVE
 LIGHTING
 AIMABLE SPEC
 GRADE / MADE IN USA**



AS1 BEAM NORMAL OUTPUT		
LENGTH	WATTAGE	LUMENS
24"	10	1375
48"	19.84	2750
96"	39.68	5500

AS1 BEAM HIGH OUTPUT		
LENGTH	WATTAGE	LUMENS
24"	14	1925
48"	27.78	3850
96"	55.56	7700

AS1 BEAM VERY HIGH OUTPUT		
LENGTH	WATTAGE	LUMENS
24"	20	2750
48"	39.68	5500
96"	79.36	11000

