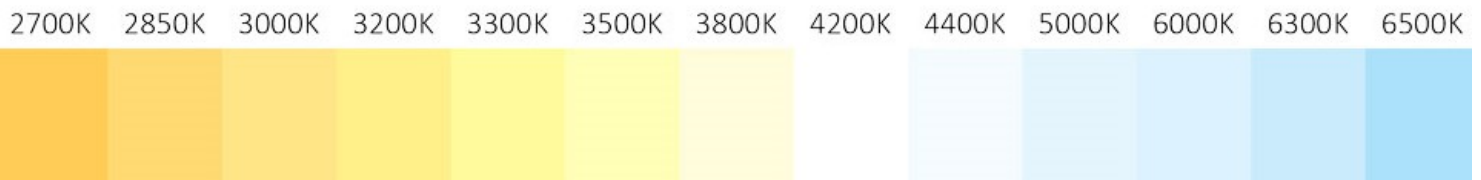


20L TUNABLE WHITE COVE ASYMMETRIC AND SYMMETRIC OPTIONS AIMABLE SPEC GRADE / MADE IN USA / 27K-65K



FEATURES

Smooth asymmetrical beam pattern
Adjustable / Aimable mounting 85° range
Independent control of CCT and intensity
Tunable white 2700K-6500K
Made in the USA / Buy America compliant



SPECIFICATIONS

LED ARRAY

High density LED modules are used to maximize visual appeal. Premium architectural grade LED chips are standard with a range of 2700K, to 6500K and a tested CRI > 80, 90+ CRI available. Modules are mounted to an aluminum cover for enhanced thermal management to extend LED life.

DRIVER

Integral 120/277V, EldoLED DALI controllable driver standard, other drivers may be available.

CONSTRUCTION

Satin anodized extruded aluminum housing and LED mounting. Lens is extruded clear acrylic for maximum efficacy. Aluminum end caps with no visible screws. Stainless steel lens mounting clip. Field aimable mounting brackets.

LENS OPTIONS

Two performance lens options, one for asymmetric and one for symmetric. See page 2 for photometrics distribution.

PERFORMANCE

136 Lumens per watt at 4000K. Standard output is 7 Watts per foot and 950 Lumens at 4000K. Other outputs may be available, consult factory

WARRANTY

Luminaire warranted for 5 years from the date of manufacturing. 10 year warranty may be available, consult factory.

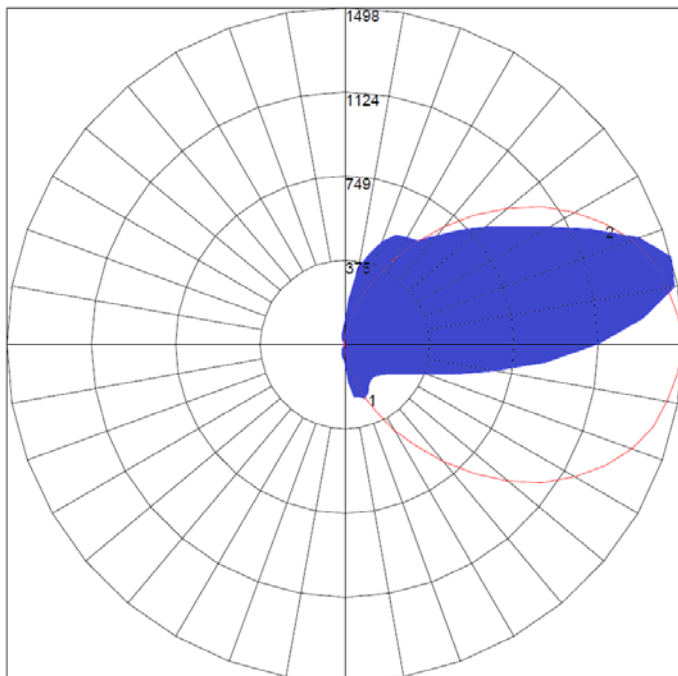
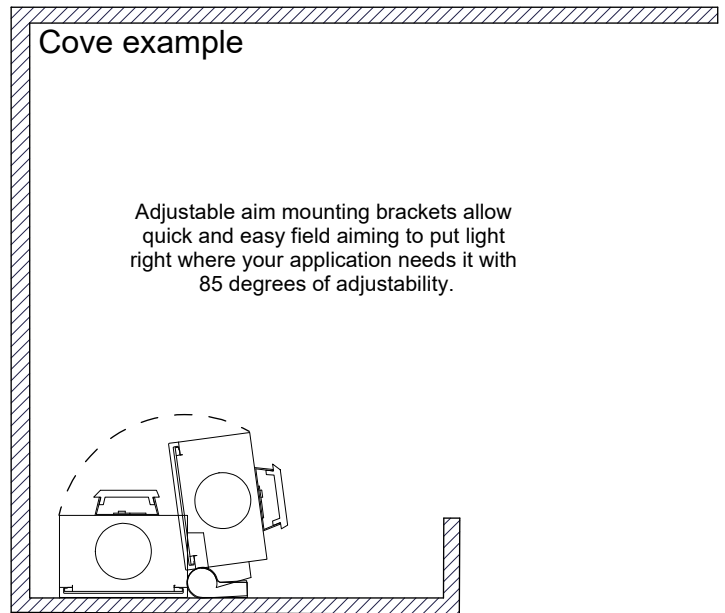
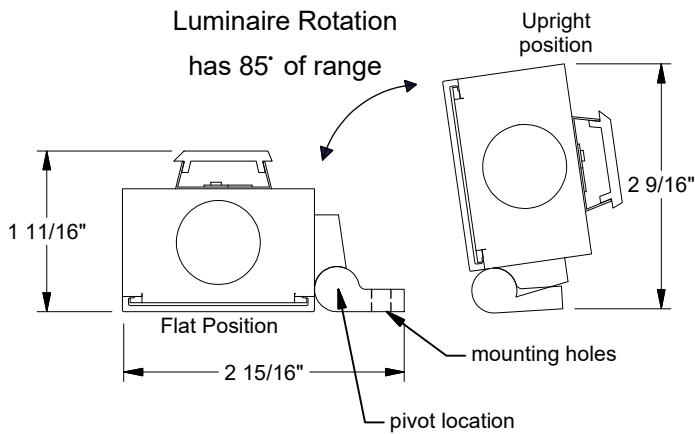
20L TUNABLE WHITE COVE ASYMMETRIC AND SYMMETRIC OPTIONS AIMABLE SPEC GRADE / MADE IN USA / 27K-65K

How to build a part number	Product Series	Light Output	Color Temperature	Length in Inches*	Housing Color	CRI	Intensity / CCT Protocol Options**	Beam Selection
----------------------------	----------------	--------------	-------------------	-------------------	---------------	-----	------------------------------------	----------------

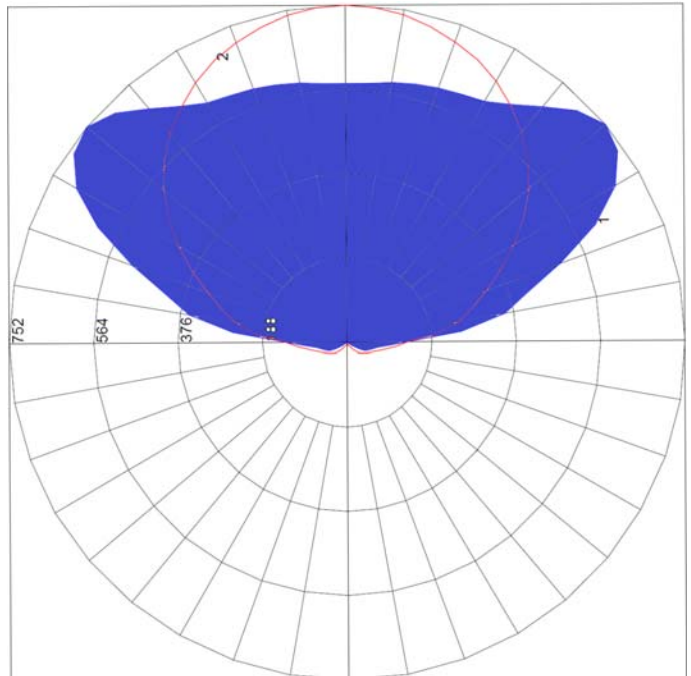
Part number format	20L	N	TW	48	0	8	-DAL	-AS1
--------------------	------------	----------	-----------	-----------	----------	----------	-------------	-------------

Choices	20L	N= 950LM/FT Custom= Specify LM/FT up to 1300LM	TW = 27-65K tunable white Consult factory for other ranges as low as 20K	24 36 48 60 72 84 96	0= Satin	8= 80+ 9= 90+	-DAL DALI controllable driver other options coming soon	-AS1 Asymmetrical beam -SM1 Symmetrical beam
---------	-----	---	--	--	----------	------------------	--	---

* Consult factory for custom lengths
** DALI to 0-10V translator available, contact factory for more information



Asymmetric distribution in Upright position
Polar Chart for 20LN40K24-0-AS1



Symmetric distribution in Flat position
Polar Chart for 20LN40K24-0-SM1