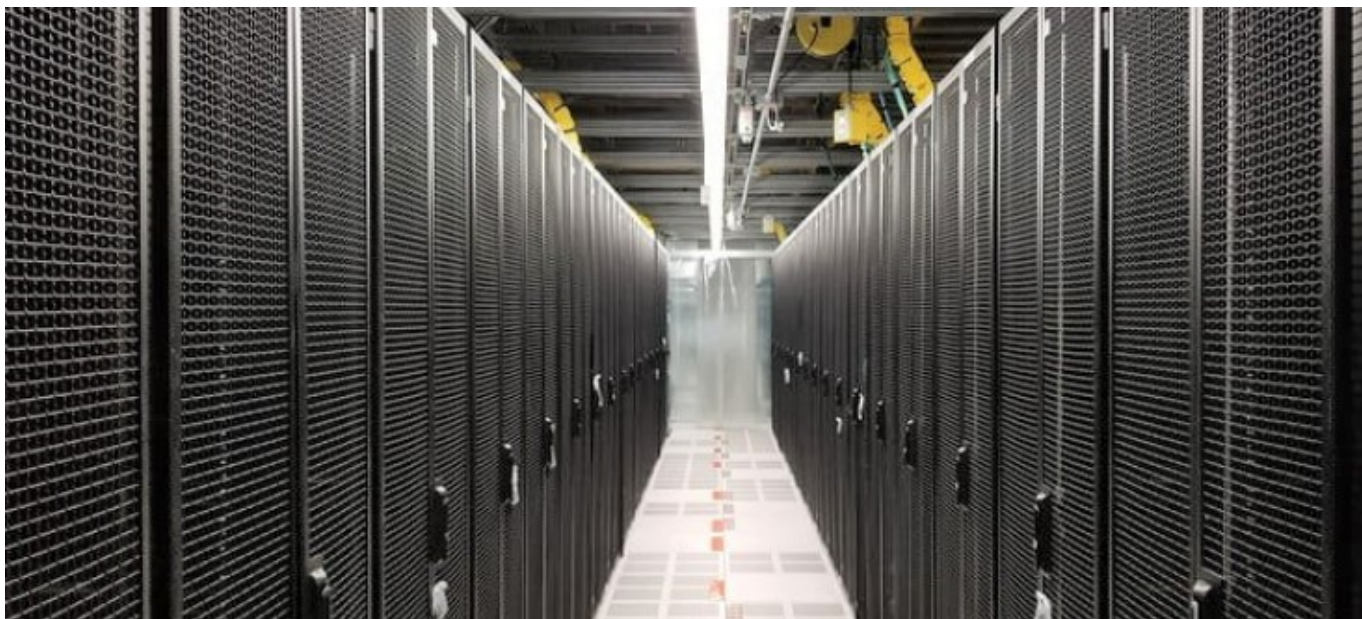




AIREY-THOMPSON™
Manufacturing Quality Luminaires

52L SERIES LED

PERFORMANCE DATA CENTER LIGHTING
OVERHEAD FRAMING MOUNT OR SURFACE MOUNT
SMALL CROSS SECTION LUMINAIRES / MADE IN USA



FEATURES

Linear data center lighting for continuous row or individual mounting

Color consistency < 3 Step MacAdams

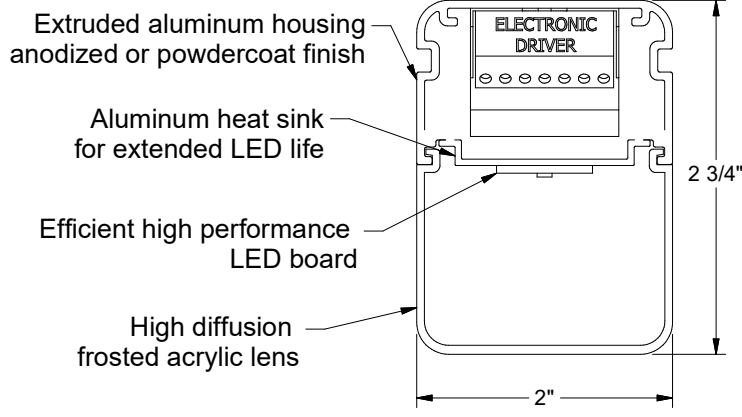
L70> 72,000 hours

80+ CRI Standard, 90+ CRI optional

Hot aisle compatible up to 120°F

DLC Listed ETL Listed dry & damp locations

Proudly Made in USA



SPECIFICATIONS

LED ARRAY

High density LED arrays are used to maximize visual appeal and performance. Only best in class LED chips are used and are available in 3000K, 3500K, 4000K and 5000K with a tested CRI of 85, 90+ is available. Arrays are mounted to an aluminum cover for superior thermal management to extend LED life. Color consistency < 3SDCM

ELECTRICAL

Integral 120/277V, 10% 0-10V dimmable drivers are standard. 1% 0-10V dimming driver optional.

CONSTRUCTION

Extruded aluminum housing with continuous mounting channels allows rapid hanger mounting anywhere along the length of the luminaire. Hangers, ordered separately, make it easy to mount to overhead framing(strut / all-thread / aux bar). Lens is extruded frosted, high impact acrylic. Aluminum end caps with no visible fasteners ordered separately.

PERFORMANCE

124 Lumens per watt for 3000K. Four standard light output options: from 616 lumens per foot up to 1260 lumens per foot. Custom lumen programming available if one of our standard outputs doesnt meet your need.

WARRANTY

Luminaire warranted for 5 years from the date of manufacturing.





AIREY-THOMPSON™
Manufacturing Quality Luminaires

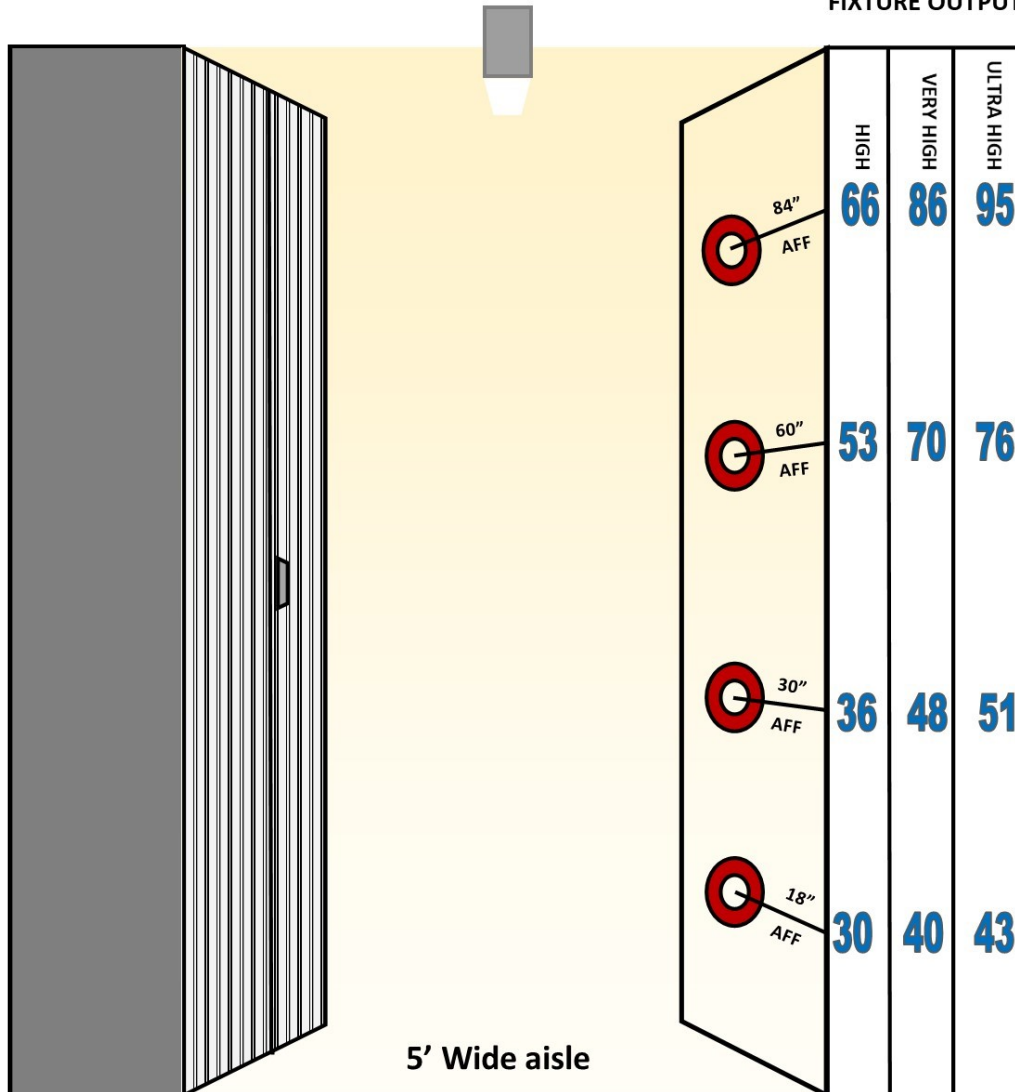
52L SERIES LED
PERFORMANCE DATA CENTER LIGHTING
OVERHEAD FRAMING MOUNT OR SURFACE MOUNT
SMALL CROSS SECTION LUMINAIRES / MADE IN USA

How to build a part number	Product Series	Light Output	Color Temperature	Length in Inches	Wiring Pattern	Options
Part number format	52L	N	40K	48	-0	
Choices	52L	N= Normal (616 LM/FT)† H= High (817 LM/FT)†† V= Very high (1140 LM/FT)††† U= Ultra high (1267 LM/FT)††† Custom: specify total lumens per foot	30K 35K 40K 50K	24 48 96 or specify total run length	-0 -1 -3 -10 -11 -12 see pg. 3 for details	-EM = 10W integral battery backup -90CRI = 90+ CRI -OCC = Occupancy sensor* * Integral PIR occupancy sensor can control an individual fixture or an aisle of continuously mounted fixtures. For runs 30' or greater more than 1 sensor may be necessary.
			† recommended for mounting heights up to 8.5'			
			†† recommended for mounting heights up to 10'			
			††† recommended for mounting heights 10' and above			

Light output selection guide

9' Luminaire mounting height

FOOT CANDLES BY
FIXTURE OUTPUT*



Advanced optical design results in more even illumination of your cabinets from top to bottom than the competition.

Consult factory for foot candle measurements on luminaire mounting heights up to 12'

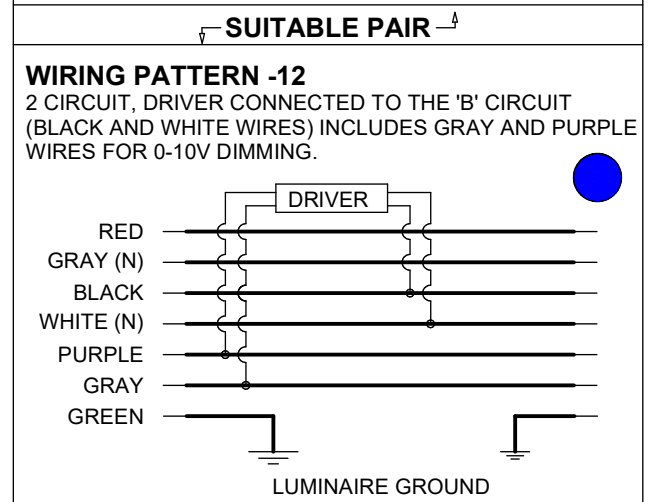
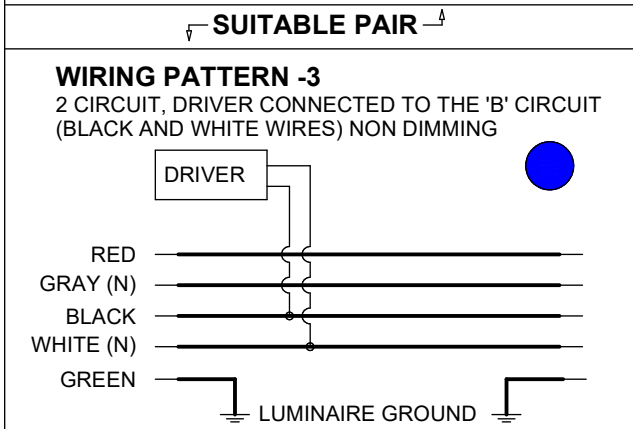
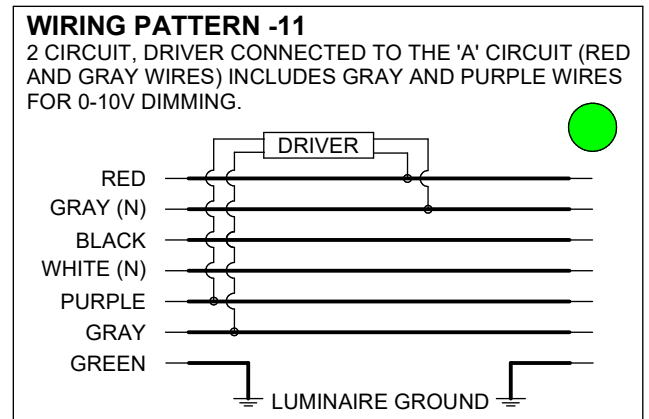
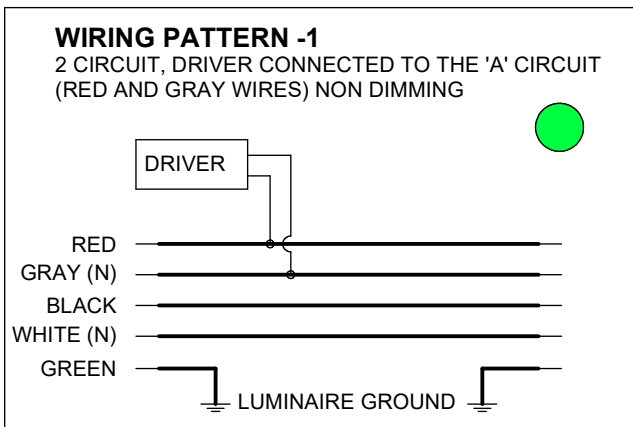
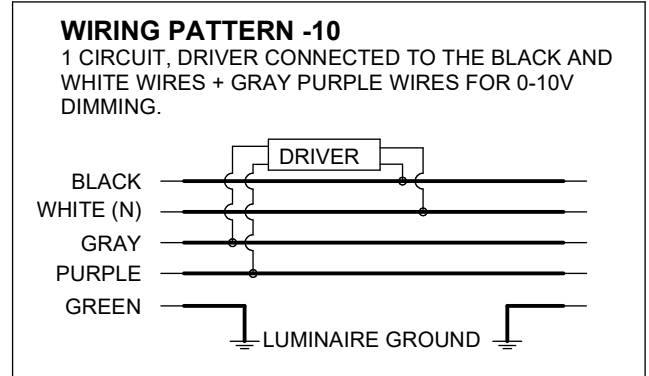
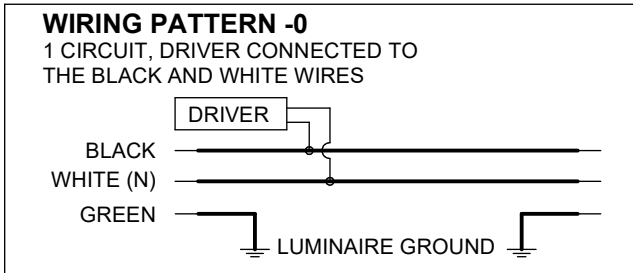
Higher foot candles at the bottom of your cabinets are due to our proprietary optic design.

* Foot candles measured on the face of cabinets based on a 5' wide aisle at a 9' mounting height



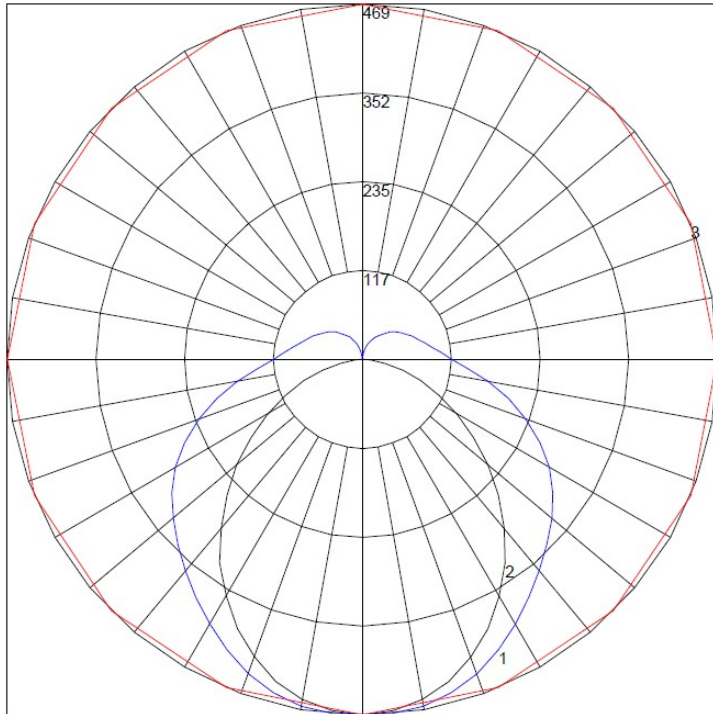


Wiring pattern options



Example layout of dual circuit continuous row aisle





(Polar graph for 52LH30K24)

NORMAL LEVEL FIXTURES		
OAL LENGTH	FIXTURE WATTAGE	LUMENS
24"	10	1233
48"	20	2466
96"	40	4932

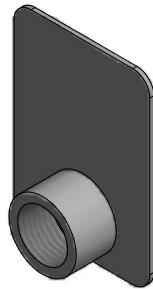
HIGH LEVEL FIXTURES		
LENGTH	FIXTURE WATTAGE	LUMENS
24"	14	1733
48"	28	3466
96"	56	6932

VERY HIGH LEVEL FIXTURES		
LENGTH	FIXTURE WATTAGE	LUMENS
24"	19.4	2314
48"	38.8	4628
96"	77.6	9256

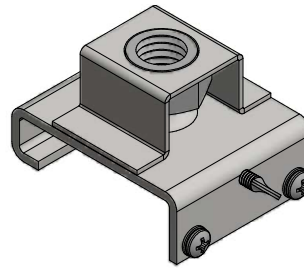
Consult website or factory for .ies and photometrics

Related components

Note: 1 feed end and 1 blank end are typically required per row. 2 hanger brackets required per fixture



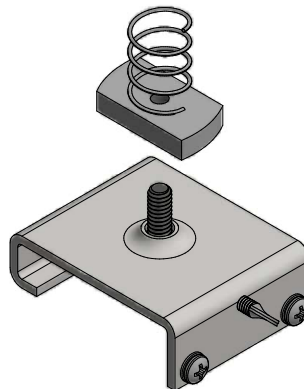
P/N: 52L01
Feed end cap w/
1/2" threaded hub



P/N: 5202-3/8D or 5202-5/8D
hanger bracket for 3/8 or 5/8
all-thread drop rod



P/N: 5210B
Blank end cap



P/N: 5202U
Strut hanger
(Left: whats included)
(Right: how it looks installed)

