

55L LINEAR SPECIFICATION SHEET

OVERVIEW

Architectural luminaires proudly built in America since 1935. The 55L series is a linear luminaire designed for lighting data center and central office aisles. Available in lengths from 5.5' and 10' ft. Compatible in single fixture or joinable for continuous row runs. One standard lumen package is available utilizing high efficiency LED T8 tubes producing 146 lumens per watt. 2200 lumens per 4' lamp. Single color finish in satin anodized. Hot aisle compatible up to 130 degrees F.

KEY FEATURES

- **BABAA Compliant**
Hand crafted in California
- **L70>72,000 hours**
High quality electrical components
- **80+ CRI Standard**
High definition color rendering
- **<3SDMC consistency**
Uniform color consistency
- **146 Lumens per watt**
Efficient performance delivered

DETAILS

01 Housing

Extruded aluminum body with anodized finish. Cross section of 3-3/8" x 3- 5/8". Powder coated steel louver for glare control and lamp protection. Aluminum end caps with no visible fasteners.

02 Electrical

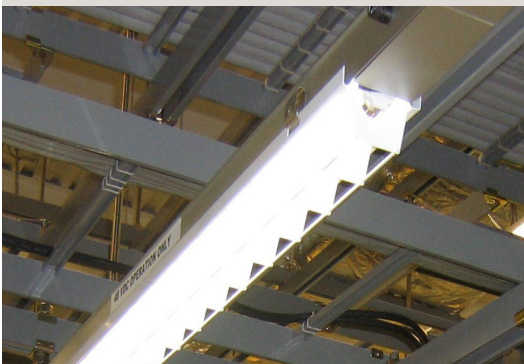
Integral 120/277V driver standard.

03 LED Array

High efficient LED T8 lamps delivering 146 lumens per watt.

04 Mounting options

Surface(ceiling or wall) mount / strut hanger / aux bar / 3/8 and 5/8 all thread hangers.

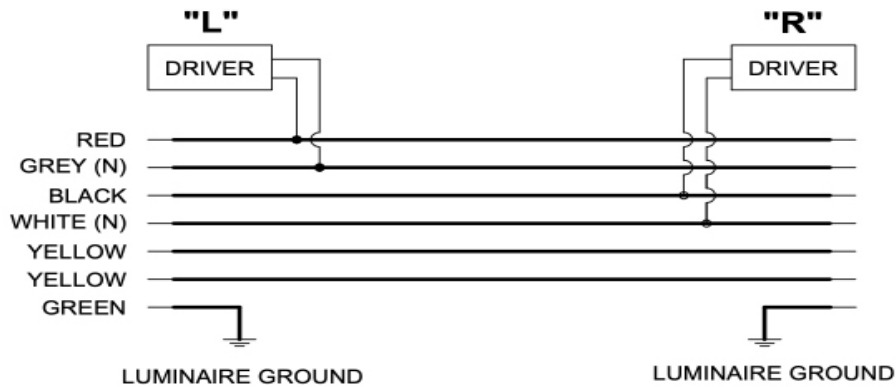


BUILD A PART NUMBER

• SERIES	• NUMBER OF LAMPS	• CCT	• VOLTAGE	• WIRING PATTERN	• OPTIONS
• 55LED		• 841	• 9		
• 55LED	• 1WW • 2WW	• 841: 80CRI/4100K	• 9: 120/277V	• 1 • 2 • 3 • 4	• S1: PIR OCCUPANCY SENSOR (OVER RIDES WIRING PATTERN)

- RELATED COMPONENTS ORDERED SEPERATELY (HANGERS / FEEDS / ENDS) SEE PAGE 3
- NOTE: TYPICALLY 2 HANGERS RECOMMENDED PER FIXTURE / 1 BLANK AND 1 FEED PER ROW

TYPICAL WIRING PATTERN



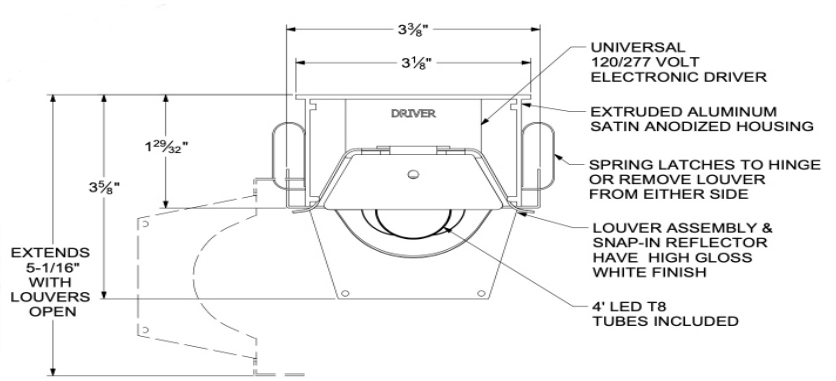
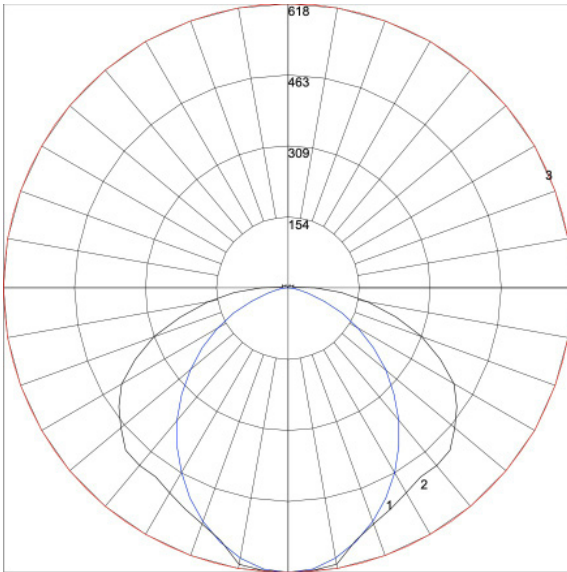
YELLOW WIRES FOR 3-WAY SWITCHING INCLUDED ON "2Y" FIXTURES ONLY

HOW TO ORDER

PART NO.	FLUORESCENT EQUIVALENT	LAMP TYPE	WIRING	OAL LENGTH
• 55LED1WWT84191-42	• 5511791	• (1) 2' LED T8 TUBE	• L	• 42"
• 55LED1WWT84192-42	• 5511792	• (1) 2' LED T8 TUBE	• L2Y	• 42"
• 55LED1WWT84193-42	• 5511793	• (1) 2' LED T8 TUBE	• R	• 42"
• 55LED1WWT84194-42	• 5511794	• (1) 2' LED T8 TUBE	• R2Y	• 42"
• 55LED1WWT84191	• 5513291	• (1) 4' LED T8 TUBE	• L	• 5'-6"
• 55LED1WWT84192	• 5513292	• (1) 4' LED T8 TUBE	• L2Y	• 5'-6"
• 55LED1WWT84193	• 5513293	• (1) 4' LED T8 TUBE	• R	• 5'-6"
• 55LED1WWT84194	• 5513294	• (1) 4' LED T8 TUBE	• R2Y	• 5'-6"
• 55LED2WWT84191	• 5523291	• (2) 4' LED T8 TUBES	• L	• 10'
• 55LED2WWT84192	• 5523292	• (2) 4' LED T8 TUBES	• L2Y	• 10'
• 55LED2WWT84193	• 5523293	• (2) 4' LED T8 TUBES	• R	• 10'
• 55LED2WWT84194	• 5523294	• (2) 4' LED T8 TUBES	• RY2	• 10'

• PHOTOMETRICS 551WW

• DIMENSIONS

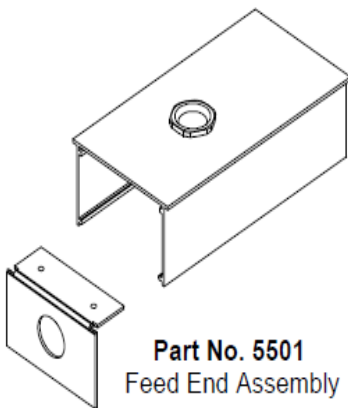


ETL Listed for dry or damp locations

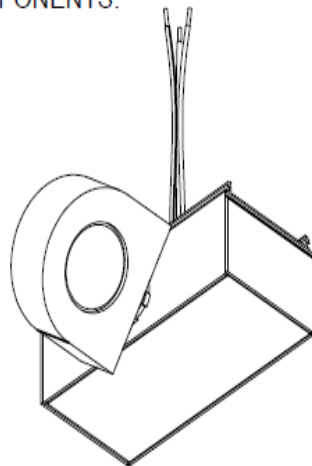


- [IES File link](#)
- [installation instructions link](#)

SOME COMMON RELATED COMPONENTS:

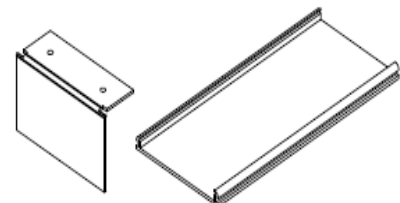


Part No. 5501
Feed End Assembly



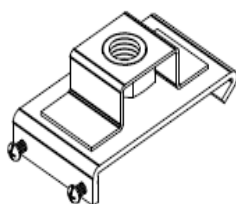
Part No. 5511-S1
Sensor retro-fit kit
(Fixtures available with sensor built in)

Note: Regardless of feed location you must use end row assemblies (ordered separately), one at each end of the row. Use a combination of part numbers **5501 & 5503**, or **5503A & 5503**. (Two 5501 assemblies will not work)

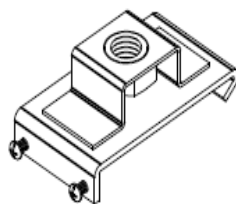


Part No. 5503
End Row Assembly
5503A Has an end cap with a 1/2" K.O.

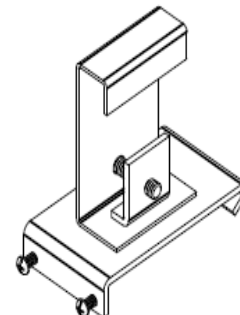
Note: Two hangers required per fixture, request a Hanger Guide for many more options.



Part No. 5502-3/8D
Hanger for 3/8 Drop Rod



Part No. 5502-5/8D
Hanger for 5/8 Drop Rod



Part No. 5502-2
Hanger for 2" Aux Bar

CONTACT US!

WWW.AIREY-THOMPSON.COM

PHONE: 800-421-6196

EMAIL: CONTACTUS@AIREYTHOMPSON.COM

