



AIREY-THOMPSON™
Manufacturing Quality Luminaires

**81L SERIES LED
LINEAR NSF RATED
VAPOR TIGHT**

DROP ROD / SURFACE MOUNT
MADE IN USA




**HANDCRAFTED
IN THE USA**

BABA COMPLIANT



NEMA 4X



120/277v

Integral Driver



**COLOR
CONSISTENCY
<3 SDMC**

L70>72,000

80+CRI

90+AVAIL.



AIREY-THOMPSON™
Manufacturing Quality Luminaires

**81L SERIES LED
 LINEAR NSF RATED
 VAPOR TIGHT**

DROP ROD / SURFACE MOUNT

MADE IN USA

BUILD YOUR FIXTURE

How to build a part number	Product Series	Light Output	Color Temperature	Length in Inches	Lens Type	Typical extra charge options Suffix part # as required in the sequence below
Part number format	81L	N	40K	48	-2	-SS -MB
Choices	81L	N (Normal) 19 Watts H (High): 25.5 Watts (Custom): Specify wattage up to 50	35K 40K 50K	48 Nominal	-2= Smooth Frosted ACR -3= Ribbed Frosted PC	-SS Stainless steel lens latch upgrade -MB Mounting bracket for surface mount -MBP Pendant mounting bracket for 3/8" drop rod -MBC Cable suspended mounting bracket -EP Endplug black -EM 10W Integral Battery Backup -OCC Internal occupancy sensor

FEATURES AND BENEFITS

CONSTRUCTION:

Wide UL5VA fiberglass housing will not melt or burn. 100% impact modified frosted acrylic lens. Poured in place, closed cell foam gasket

WARRANTY:

5 year limited warranty, see Airey-Thompson distributor terms and conditions for more details

CERTIFICATIONS:

NSF, NEMA 4X, IP65, IP66, IP67, ROHS, ETL.

Ideal for:

food processing, warehouses, parking structures, cold storage, outdoor structures, offshore and more

VOLTAGE:

Equipped with integral 120/277v FCC approved driver, 10% 0-10v dimmable standard, other options maybe available.

MOUNTING: 4

Mounting type brackets optionally available

Several lumen/wattage packages to choose from (**SEE LUMEN CHART BELOW FOR DETAILS, FACTORY IS HAPPY TO DISCUSS YOUR UNIQUE LUMEN REQUIREMENTS**)



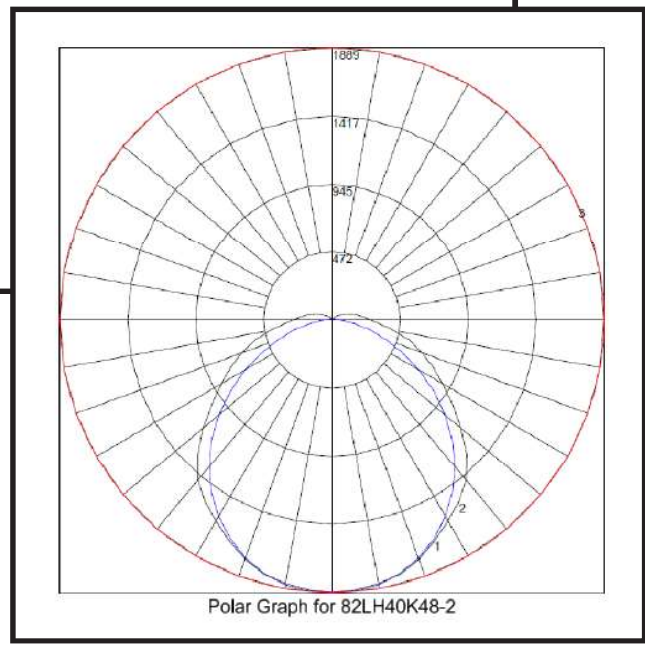
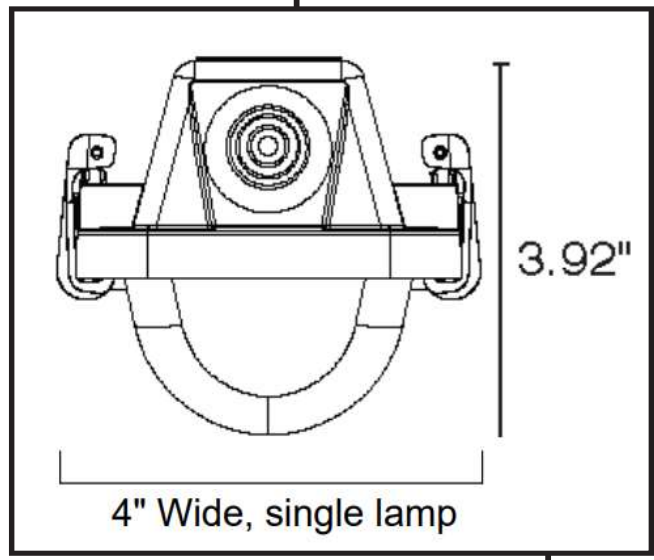
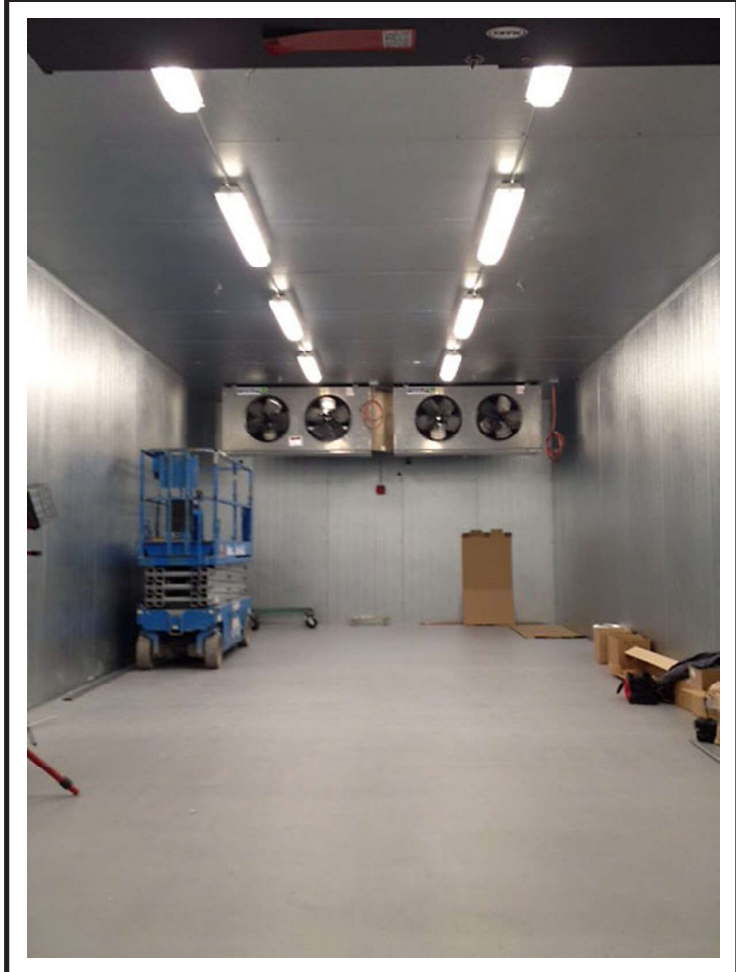


AIREY-THOMPSON™
Manufacturing Quality Luminaires

**81L SERIES LED
 LINEAR NSF RATED
 VAPOR TIGHT**

DROP ROD / SURFACE MOUNT

MADE IN USA



FIXTURE PERFORMANCE			
LENGTH	WATTAGE	LUMENS	OUTPUT
48"	19w	1080	NORMAL
48"	25.5w	2980	HIGH



AIREY-THOMPSON™
Manufacturing Quality Luminaires

**81L SERIES LED
 LINEAR NSF RATED
 VAPOR TIGHT**

DROP ROD / SURFACE MOUNT

MADE IN USA

Lenses

- Lineal Ribbed Frosted Polycarbonate (low profile):
 - Best for obscuring the image of fluorescent or LED lamps
 - 100% impact modified
 - Best in areas with uv exposure or where chemicals are present
- Smooth frosted acrylic (low profile):
 - Best shallow lens for LED boards and overall light distribution
 - UV stableized
 - Best in extreme temperature and highabuse environments

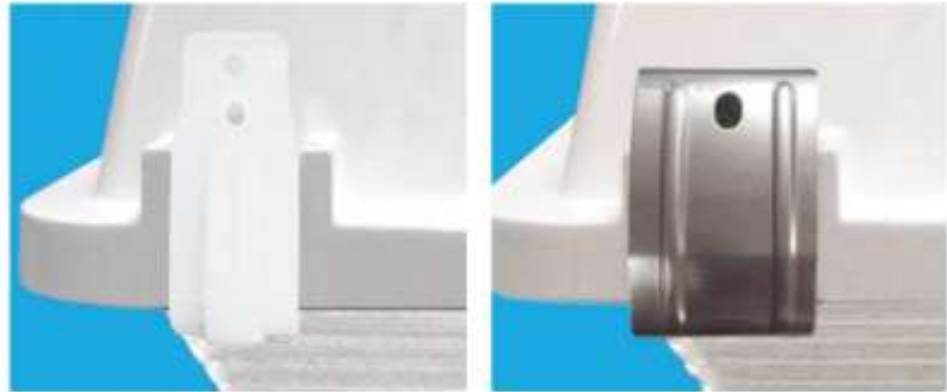


Latches

CAPTIVE, affixed to the housing therefore will not fall off
 TAMPER proof, when using screws

Available in

White POM
 Marine Grade 316-Stainless Steel



Installation:

Fixture can be mounted in various ways direct to the ceiling, junction box, pendant
 (single or dual point), by cable or chain



Instagram



FOLLOW US ON INSTAGRAM @ AIREY_THOMPSON_LIGHTING