

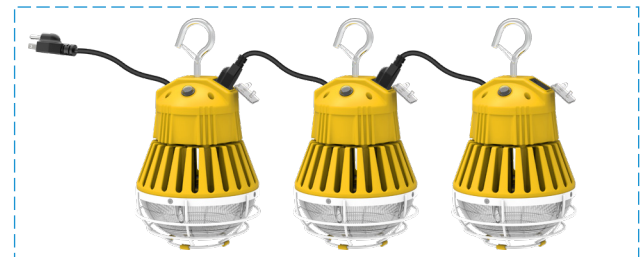


KEY FEATURES

- * Die-casting aluminum shell, great heat dissipation performance, longer lifespan
- * Separated power supply and light source for better heat dissipation
- * Unique and exquisite appearance design
- * Lightweight design with high output
- * 120 degree light distribution
- * US cord+plug, linkable up to 500W Max
- * Protected with anti-scalding cover
- * Adjustable power: 60%/ 80%/ 100%
- * Adjustable CCT: 3000K/ 4000K/ 5000K
- * 5-Year warranty



CCT Adjustable	Power Adjustable
 3000K 4000K 5000K	 60% 80% 100%



APPLICATIONS

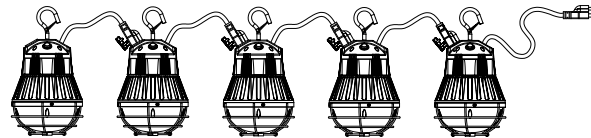
Widely used in warehouses, tunnels, ports, wharfs, factories, exhibition halls, workshops, highway toll stations, gas stations, mines, construction sites and short-term maintenance projects etc.



Model	Lumen (±10%lm)	Efficacy (±10%)	Beam Angle	LED/ Qty.	Power (±10%)	Voltage/ Frequency	CRI	PF	CCT	Remarks
TL-100-G3R	13000	130LM/W	120°	SMD3030 - 216pcs	60W	AC100-277V 50/60Hz	≥80	>0.9	3000K/ 5000K	Adjustable CCT
	10400			(3000K-108pcs)	80W					
	13000			(5000K-108pcs)	100W					

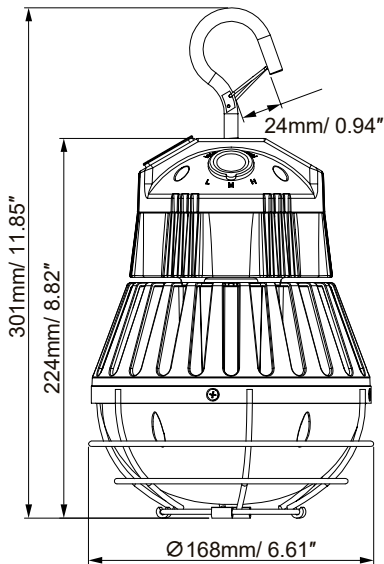
60W/ 80W/ 100W — STRING 52ft

Weight:11000g/ 24.25 lbs



60W/ 80W/ 100W

Weight:2200g/ 4.85 lbs



STRUCTURES



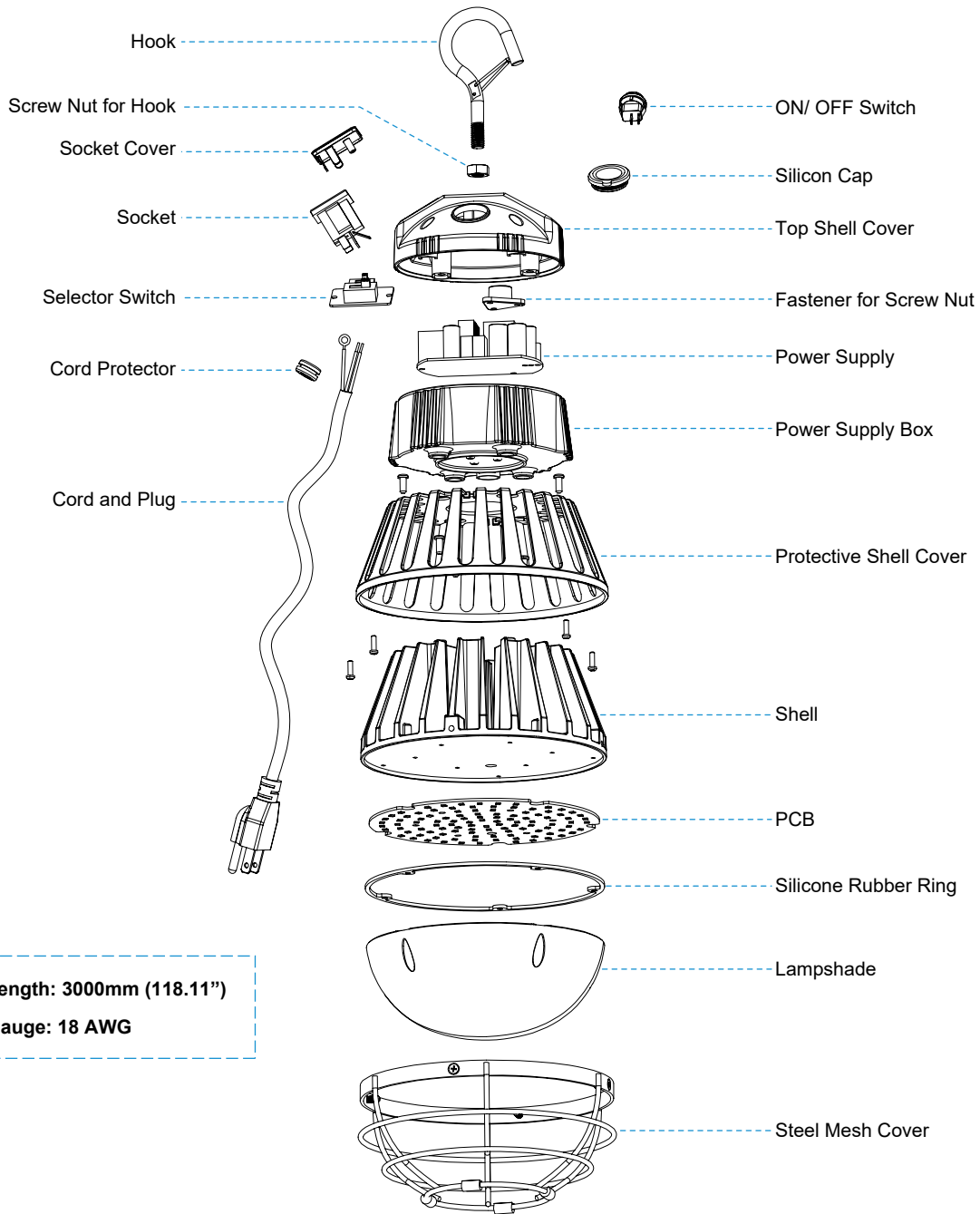
LINKABLE

Open the power cord buckle, connect the plug and socket to make sure two or more lamps are jointed together, and rotate the buckle 90 degrees to make sure the lamps are connected more firm. ✘ Total 500W max. in parallel connection.

*60W- For only use with this product connect up to 8 bunches

*80W- For only use with this product connect up to 6 bunches

*100W- For only use with this product connect up to 5 bunches



Cord Length: 3000mm (118.11")
Cord Gauge: 18 AWG

*** IMPORTANT**

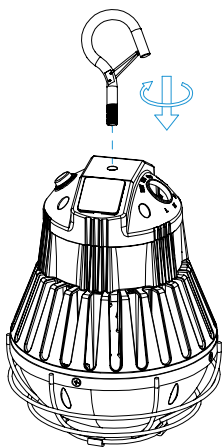
READ CAREFULLY BEFORE INSTALLING FIXTURE. RETAIN THESE INSTRUCTIONS FOR FUTURE REFERENCE.

NGTLIGHT fixtures must be wired by qualified electrician. Proper grounding is required for safety.

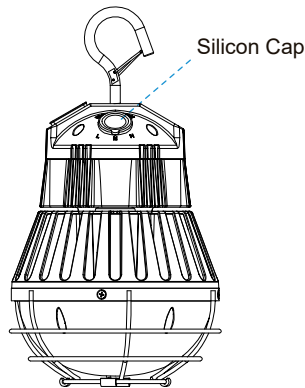
Make sure power is OFF before installing or maintaining fixture.

CAUTION: Be sure fixture temperature is cool enough to touch. Do not clean or maintain while fixture is energized.

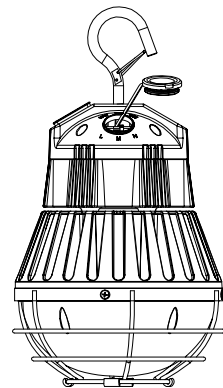
Application: Suitable for construction sites or any other location requiring a temporary light string.



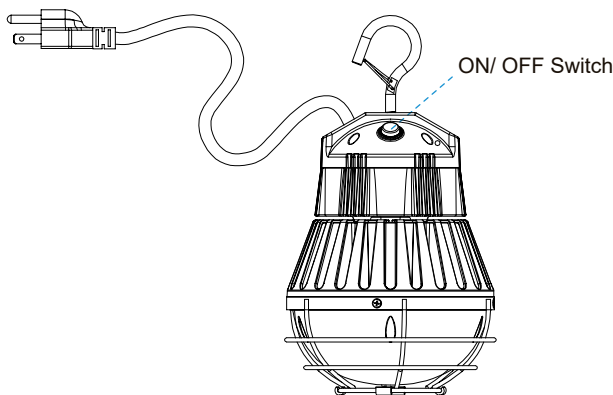
① Tighten hanging hook.



② Remove Silicon Cap.



③ Adjust CCT & Watt accordingly.



④ Connect the plug into electricity, turn on the light.

