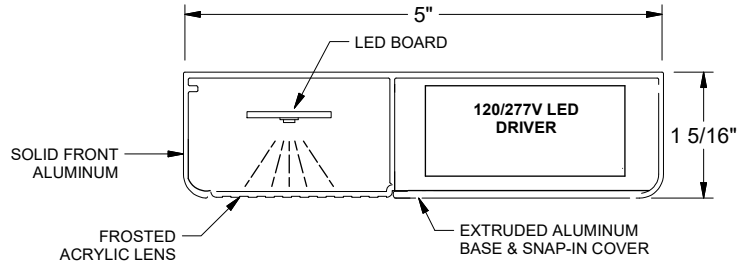


**13NX SERIES NEXUS SYSTEM  
LINKABLE UNDER CABINET  
WITH SOLID FRONT  
SPEC GRADE / MADE IN USA**



Project: \_\_\_\_\_

Type: \_\_\_\_\_



How to build a part number	Product Series	Light Output	Color Temperature	Length in Inches	Lens Type	Housing Color	Typical extra charge options Suffix part # as required in the sequence below
----------------------------	----------------	--------------	-------------------	------------------	-----------	---------------	---

Part number format	13NX	N	30K	24	-2	-3	-SWD
--------------------	------	---	-----	----	----	----	------

Choices	13NX	N (Normal) H (High) V (Very high) (Custom: specify lumens)	30K 35K 40K	12 18 24 36 48 60 72 84 96	-2= Frosted	-0= Satin -3= White	-SWD Decora rocker switch (120/277V) -AM Anti-Microbial finish -DIM Phase dimmable driver -D10 10 % 0-10V dimming -D11 1% 0-10V dimming -OCC Integral occupancy sensor -VS Vacancy sensor (120V only) -DD Driver disconnect
---------	------	--	-------------------	--	-------------	------------------------	--

**Components  
ordered separately**

Part No.	Description
13NX-IC	End to end interconnect
13NX-QC12	Quick Connect 12" interconnect cord
13NX-QC18	Quick Connect 18" interconnect cord
13NX-QC24	Quick Connect 24" interconnect cord
13NX-WCL	6' White power feed cord and plug for left side connection
13NX-WCR	6' White power feed cord and plug for right side connection
13NX10LW	Left end cap w/ 1/2" trade size KO for conduit feed, white
13NX10LS	Left end cap w/ 1/2" trade size KO for conduit feed, satin
13NX10RW	Right end cap w/ 1/2" trade size KO for conduit feed, white
13NX10RS	Right end cap w/ 1/2" trade size KO for conduit feed, satin

**FEATURES and BENEFITS**

- **Applications:** health care, educational, labs, residential, offices, and government applications etc.
- **Energy efficient:** Up to 124 lumens per watt.
- **Lumens:** The 'N' (Normal) light output is approximately 545 lumens per foot, 'H' (High) output is approximately 40% more light, 'V' (Very high) is double normal for when considerably more light is needed; consult factory for custom lumen targets higher or lower.
- **Housing:** Satin anodized extruded aluminum, or powder coat white finish is standard, anti-microbial option available. End caps with flush mounted sockets and plugs for inter connectability with optional cord or end to end interconnect (components ordered separately).
- **Dimming:** Three dimming options to choose from: Phase/Triac, 10% 0-10V, and 1% 0-10V.
- Light leak gaskets virtually eliminate light leak from ends.



# 13NX SERIES NEXUS SYSTEM

## LINKABLE UNDER CABINET WITH SOLID FRONT SPEC GRADE / MADE IN USA

### SPECIFICATIONS

Airey-Thompson 13NX Series having a cross section of 5" by 1-5/16" made from extruded aluminum with .060 wall thickness and aluminum end caps with no visible fasteners. The lens shall be impact resistant frosted acrylic. Luminaire shall be equipped with a universal voltage FCC Title 47 Part 15 Class A or B compliant electronic driver to avoid RFI. The luminaire shall be ETL Listed for damp locations, have a 5 year warranty and be made in the USA.

**Mounting:** Two mounting slots in base, with access holes in the cover. For continuous row mounting use optional interconnect or quick connect cordset.

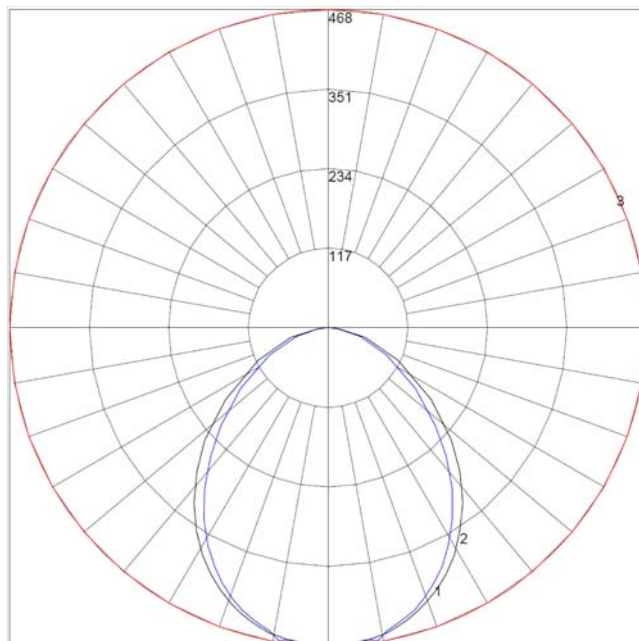
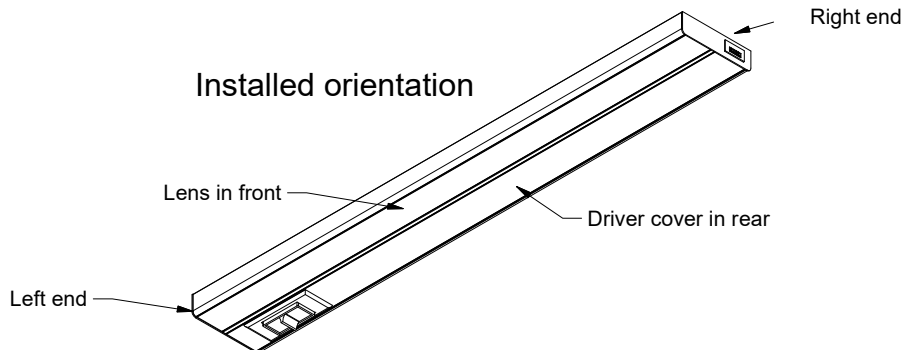
**Finish:** Powdercoat White or satin anodized aluminum standard. Anti-microbial white optionally available. consult factory for custom finishes.

**Listing:** ETL Listed dry or damp location.

**Warranty:** 5 year limited warranty, see Airey-Thompson distributor terms and conditions for details.

\*LED technology is continually improving, specifications subject to change without notice.

**Maximum run lengths:** Normal=100', High=75', Very High=50'



Polar graph for: 13NX-N-40K-24-2-3

STANDARD FIXTURES		
LENGTH	WATTAGE	LUMENS
12"	4.4	545
24"	8.8	1090
36"	13.2	1635
48"	17.6	2180

HIGH LEVEL FIXTURES		
LENGTH	WATTAGE	LUMENS
12"	6.3	781
24"	12.6	1562
36"	18.9	2343
48"	25.2	3124

VERY HIGH OUTPUT FIXTURES		
LENGTH	WATTAGE	LUMENS
12"	8.8	1090
24"	17.6	2180
36"	26.4	3270
48"	35.2	4360