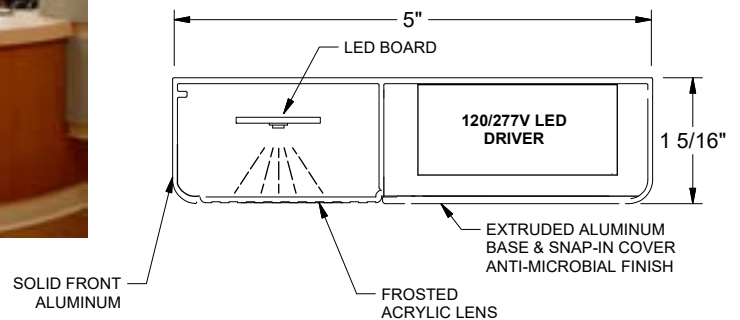


13HC HEALTHCARE SERIES LED UNDER CABINET LUMINAIRE WITH SOLID FRONT HOSPITAL GRADE / **MADE IN USA**

Type: _____



FEATURES and BENEFITS

- **Applications:** health care, labs, nursing centers, day care, or where germ and bacteria control is important.
- **Energy efficient:** Significant energy savings when compared to a fluorescent fixture.
- **Lumens:** The 'N' (Normal) light output is approximately equivalent to a fluorescent T8, 'H' (High) output is approximately 40% more light, 'V' (Very high) for when considerably more light is needed; consult factory for custom lumen targets higher or lower.
- **Housing:** Powder coat anti-microbial white finish is standard, anti-microbial satin aluminum option available. Feed end caps standard with 7/8" hole to accept standard 1/2" trade size connectors.
- **Dimming:** Three dimming options to choose from: Phase/Triac, 10% 0-10V, and 1% 0-10V.
- Light leak gaskets virtually eliminate light leak from ends.
- The factory will be happy to discuss all of your special requests.
- 30K, 35K, 40K, and 50K Color temp. LED's are available.(35 or 40K usually has quickest ship time)
- **Proudly made in USA.**

How to build a part number	Product Series	Light Output	Color Temperature	Length in Inches	Lens Type	Housing Color	Typical extra charge options Suffix part # as required in the sequence below
----------------------------	----------------	--------------	-------------------	------------------	-----------	---------------	---

Part number format	13HC	N	30K	-24	-2	-3	-AMS
--------------------	------	---	-----	-----	----	----	------

Choices	13HC	N (Normal) H (High) V (Very high) (Custom: specify lumens)	(27K*) 30K 35K 40K 50K	-12 -18 -24 -36 -48 -60 -72 -84 -96 -108 -120	-2= Frosted	-0= Satin -3= White	-WC (6') White 3-wire cord & plug (18ga. SVT) -GC (6') Gray 3-wire cord & plug (18ga. SVT) -F Factory wired fuse -AMS Anti-Microbial decora switch -DIM Triac dimmable driver -D10 10 % 0-10V dimming -D11 1% 0-10V dimming -HGO Hospital grade duplex -OCC Integral occupancy sensor -VS Vacancy sensor -DD Driver disconnect
---------	------	--	------------------------------------	---	-------------	------------------------	--



* 27K available upon special order and may have longer lead times.



13HC SERIES LED UNDER CABINET LUMINAIRE WITH SOLID FRONT HOSPITAL GRADE / MADE IN USA

SPECIFICATIONS

Airey-Thompson 13L Series having a cross section of 5" by 1-5/16" made from extruded aluminum with .060 wall thickness and aluminum end caps with no visible fasteners and anti-microbial finish. The lens shall be impact resistant frosted acrylic. Luminaire shall be equipped with a universal voltage FCC Title 47 Part 15 Class A or B compliant electronic driver to avoid RFI. The luminaire shall be ETL Listed for damp locations, have a 5 year warranty and be made in the USA.

Construction: extruded 6063T-5 aluminum base and cover with .060 nominal wall thickness, aluminum end caps with no visible fasteners, extruded high impact frosted acrylic lens.

Voltage: Equipped with integral, electronic 120/277v LED driver, FCC Title 47 Part 15 compliant.

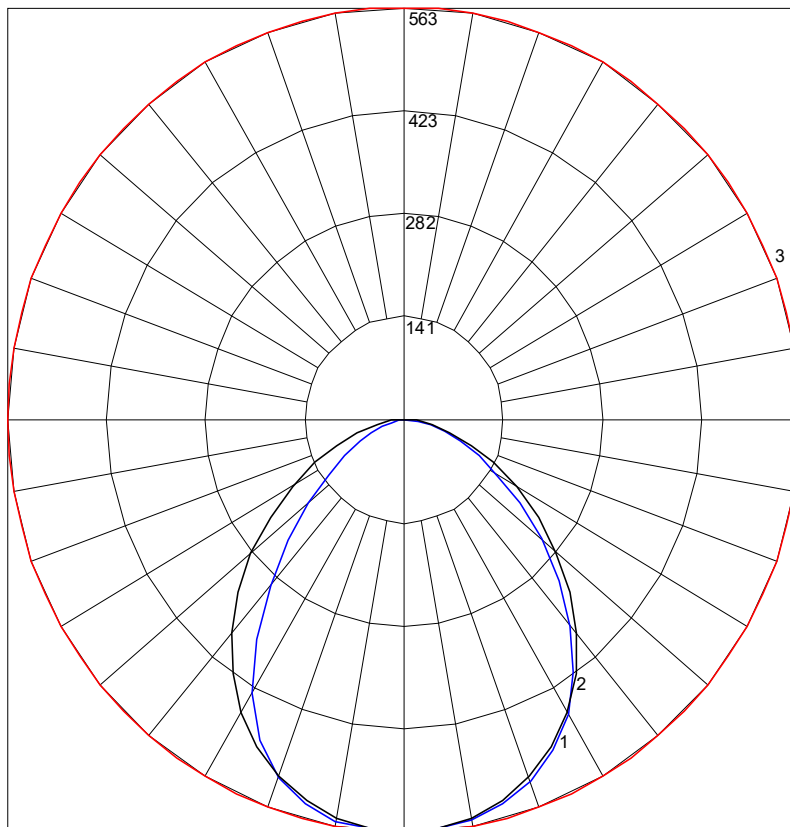
Mounting: Two mounting slots. For continuous row mounting simply remove end caps where luminaires meet and use the internal coupler (provided) to make a seamless link. Feed end caps provided.

Finish: Powdercoat anti-microbial white standard, anti-microbial satin aluminum optionally available. consult factory for custom finishes.

Listing: ETL Listed damp location.

Warranty: 5 year limited warranty, see Airey-Thompson distributor terms and conditions for details.

*LED technology is continually improving, specifications subject to change without notice.



Polar graph for: 13LN40K48-2-3

STANDARD FIXTURES		
LENGTH	WATTAGE	LUMENS
12"	7.9	456
24"	10.4	652
36"	14.6	1056
48"	17.5	1304

HIGH LEVEL FIXTURES		
LENGTH	WATTAGE	LUMENS
12"	11	630
24"	15.5	913
36"	20.4	1480
48"	24.5	1826

VERY HIGH OUTPUT FIXTURES		
LENGTH	WATTAGE	LUMENS
12"	10.08	957.5
24"	20.15	1915
36"	30.24	2872.5
48"	40.30	3830

