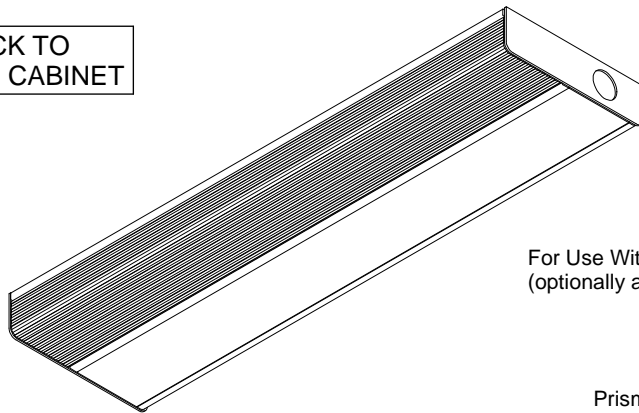


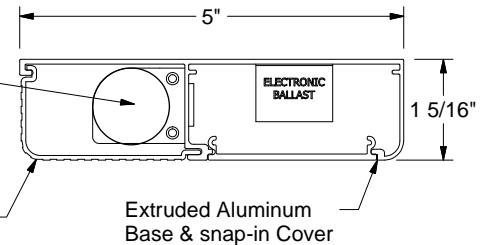
BACK TO
UNDER CABINET

Type: _____



For Use With T8 Lamp
(optionally available)

Prismatic lens either
clear or co-molded



SPECIFICATIONS

- White powder coat or satin anodized aluminum finish is standard.
- Custom finishes available upon request.
- Extruded 6063T-5 aluminum base and cover with .060 nominal wall thickness.
- High impact prismatic, die formed, acrylic lenses are available in clear or co-molded.
- Co-molded lens have a semi-opaque front for high visual comfort.
- Electronic, high power factor, instant start, 120 volt ballast is standard.
- Low 1-5/16" profile allows placement in shallow locations.
- Die formed .060" end caps with no visible fasteners.
- Luminaires are provided in hardwired configuration by default (including through wires), but are available with cords.
- Hardwired fixtures are shipped with feed end caps. For continuous row mounting, simply remove end caps where luminaires meet, and use the internal coupler (provided) to make a seamless link.
- All units are UL & CUL LISTED damp locations
- The factory will be happy to discuss all of your special requests.
- Available for use with a wide variety of T8 lamp types.



See lamp chart for selection and lengths.

- The factory will be happy to discuss all of your special requests.

* If ordered with lamps, 4100k color temp. is standard, other lamp colors may be available.

How to build a Part Number	Product Series	Quantity of inline T8 lamps	Lamp Code	Lens Type	Finish	Standard Options Suffix Part # as required in the sequence below.
----------------------------	----------------	-----------------------------	-----------	-----------	--------	--

Part Number	12	1	14T8	0	0	
Format						

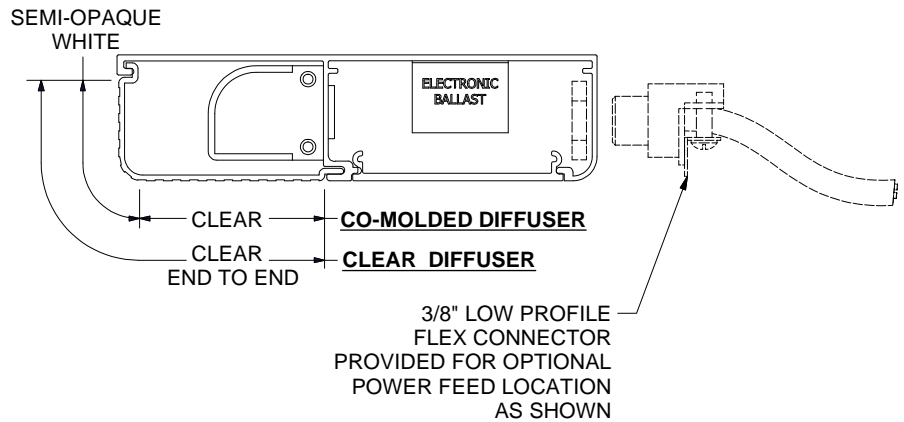
Choices	12	See lamp chart for luminaire lengths. 1 or 2 lamps are standard.	14T8 15T8 17T8 25T8 32T8	0= Prismatic Clear 1= Co-Molded	0= Satin 3= White	-WC (6') White 3-wire cord & plug (18gs SVT) -GC (6') Gray 3-wire cord & plug (18ga SVT) -SW Factory wired small rocker switch, 120V only -SWD Factory wired Decora rocker switch 120/277V -F Factory wired fuse (3A) -GCO Factory wired Grounded Convenience Outlet (15A) -277 277 Volt Electronic Ballast -41K Lamps Included
---------	----	--	--------------------------------------	------------------------------------	----------------------	--

**12 Series T8
Luminaire Length Chart**

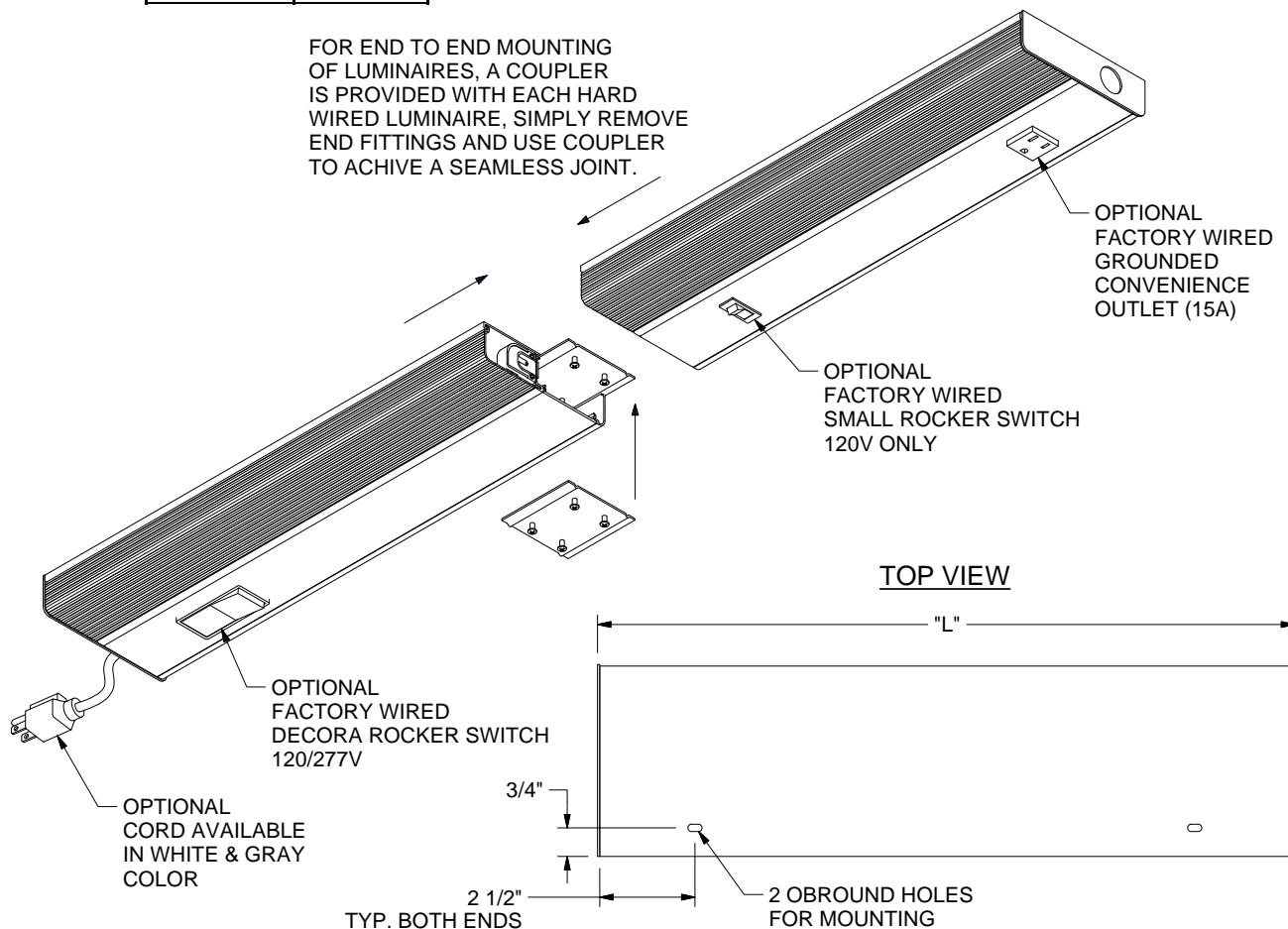
Lamp Quantity	Lamp Type	Luminaire Length "L" (Includes end caps)
---------------	-----------	--

1	F14T8	15-1/4"
	F15T8	18-1/4"
	F17T8	24-1/4"
	F25T8	36-1/4"
	F32T8	48-1/4"

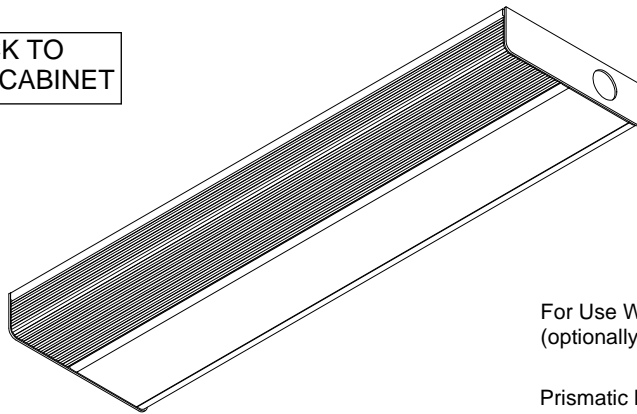
2	F14T8	30-1/4"
	F15T8	36-1/4"
	F17T8	48-1/4"
	F25T8	72-1/4"
	F32T8	96-1/4"



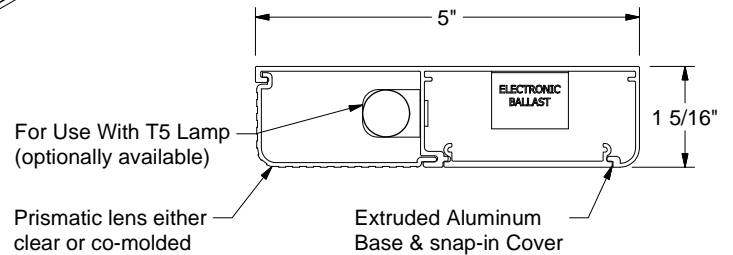
FOR END TO END MOUNTING OF LUMINAIRES, A COUPLER IS PROVIDED WITH EACH HARD WIRED LUMINAIRE, SIMPLY REMOVE END FITTINGS AND USE COUPLER TO ACHIEVE A SEAMLESS JOINT.



BACK TO
UNDER CABINET



Type: _____



SPECIFICATIONS

- White powder coat or satin anodized aluminum finish is standard.
- Custom finishes available upon request.
- Extruded 6063T-5 aluminum base and cover with .060 nominal wall thickness.
- High impact prismatic, die formed, acrylic lenses are available in clear or co-molded.
- Co-molded lens have a semi-opaque front for high visual comfort.
- Electronic, high power factor, instant start, 120 volt ballast is standard.
- Low 1-5/16" profile allows placement in shallow locations.
- Die formed .060" end caps with no visible fasteners.
- Luminaires are provided in hardwired configuration by default (including through wires), but are available with cords.
- Hardwired fixtures are shipped with feed end caps. For continuous row mounting, simply remove end caps where luminaires meet, and use the internal coupler provided to make a seamless link.
- All units are UL & CUL LISTED damp locations
- Available for use with a wide variety of T5 lamp types.



See lamp chart for selection and lengths.

- The factory will be happy to discuss all of your special requests.

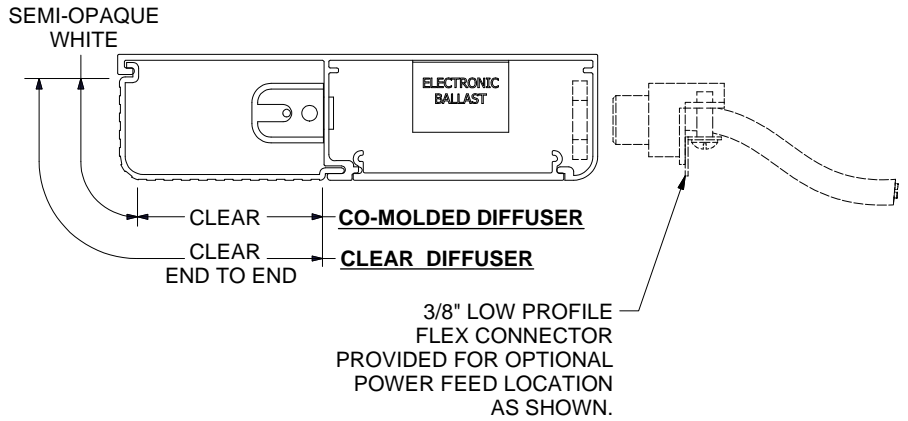
* If ordered with lamps, 4100k color temp. is standard, other lamp colors may be available.

How to build a Part Number	Product Series	Quantity of inline T5 lamps	Lamp Code	Lens Type	Finish	Standard Options Suffix Part # as required in the sequence below.
Part Number Format	12	1	6T5	0	0	
Choices	12	See lamp chart for luminaire lengths. 1 or 2 lamps are standard.	6T5 8T5 13T5 14T5 21T5 28T5 35T5	0= Prismatic Clear 1= Co-Molded	0= Satin 3= White	WC (6') White 3-wire cord & plug (18ga SVT) GC (6') Gray 3-wire cord & plug (18ga SVT) SW Factory wired small rocker switch 120V only SWD factory wired Decora rocker switch 120/277V F Factory wired fuse (3A) GCO Factory wired Grounded Convenience Outlet (15A) 277 277 Volt Electronic Ballast 41K Lamps included

**12 Series T5
Luminaire Length Chart**

Lamp Quantity	Lamp Type	Luminaire Length "L" (Includes end caps)
1	F6T5	9-1/4"
	F8T5	12-1/4"
	F13T5	21-1/4"
	F14T5	22-1/2"
	F21T5	34-5/16"
	F28T5	46-1/8"
	F35T5	58"

2	F6T5	18-3/8"
	F8T5	24-3/8"
	F13T5	42-3/8"
	F14T5	44-7/8"
	F21T5	68-1/2"
	F28T5	92-1/8"
	F35T5	115-7/8"



FOR END TO END MOUNTING OF LUMINAIRES, A COUPLER IS PROVIDED WITH EACH HARD WIRED LUMINAIRE. SIMPLY REMOVE END FITTINGS AND USE COUPLER TO ACHIEVE A SEAMLESS JOINT.

