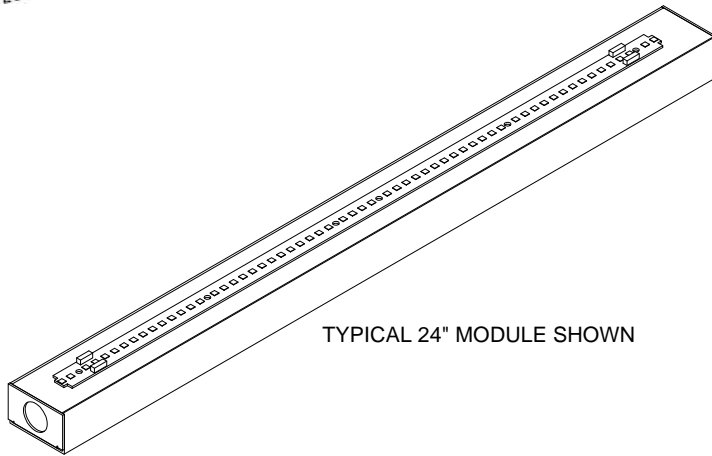


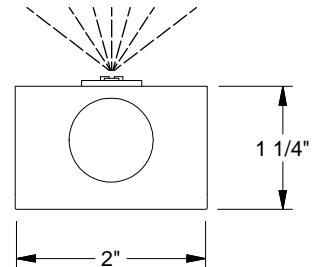


NEW AND IMPROVED

Type: _____



TYPICAL 24" MODULE SHOWN



- Extremely efficient, easily dimmable fixture efficacy up to 132 lumens per watt.
- Normal output is approximately equivalent light to a T8 fluorescent, High level may be specified when extra light is desired, custom light output may be available.
- Available in 12" increments up to 120", see factory for custom length availability.
- Low 1 1/4" profile allows placement in shallow locations.
- The factory will be happy to discuss all of your special requests.
- For standard options see below, custom options may be available.
- 1% 0-10V dimming available upon request.
- PROUDLY MADE IN USA.

How to build a part number	Product Series	Light Output	Color Temperature	Length in Inches	Housing Color	Standard options Suffix part # as required in the sequence below
Part number format	20L	N/	30K	24	0	
Choices	20L	N/ Normal H/ High (Custom)	(27K*) 30K 35K 41K 50K	12 24 36 48 96 contact factory for other lengths	0= Satin	-DIM Phase dimmable driver -D10 0-10V dimmable driver -D11 1% 0-10V dimming -WC (6') White 3-wire cord & plug (18ga. SVT) -GC (6') Gray 3-wire cord & plug (18ga. SVT) -F Factory wired fuse

*27K available upon special request and may have longer lead times.

SPECIFICATIONS

- Satin anodized aluminum finish is standard, custom finish may be available.
 - Robust housing includes extruded 6063T-5 aluminum base & cover with .060 nominal wall thickness.
 - Standard models equipped with integral, electronic 120/277v LED drivers.
 - Die formed .060" end caps with no visible fasteners.
 - Fixtures are shipped with end caps. For continuous row mounting, simply remove end caps where luminaires meet, and use the internal coupler (provided) to make a seamless link.
 - Available in hardwired configurations or with cord, hardwired models include KO's in the base to allow feeding from the back. Note: models ordered with a cord are intended for permanent installation.
 - 3000K,3500K, 4000K or 5000K color temp. LED's are available.(40K typicall quickest ship time.)
 - Optional driver disconnect available upon request.
- * LED technology is continually improving, specifications subject to change without notice.

STANDARD FIXTURES		
LENGTH	WATTAGE	LUMENS
24"	10.4	1137
48"	17.28	2273
96"	35.00	4546

