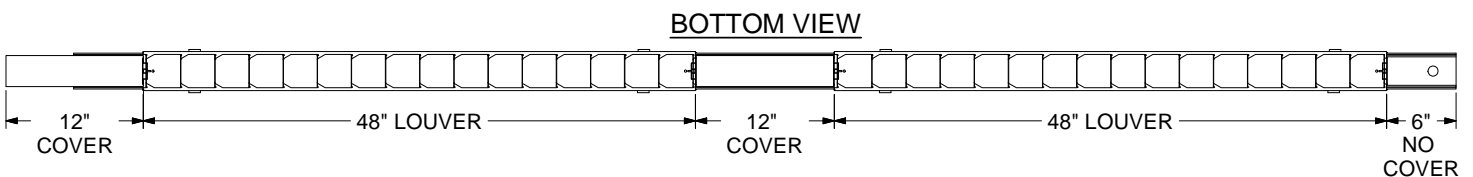
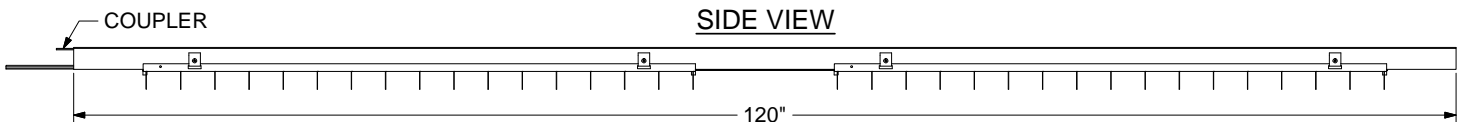
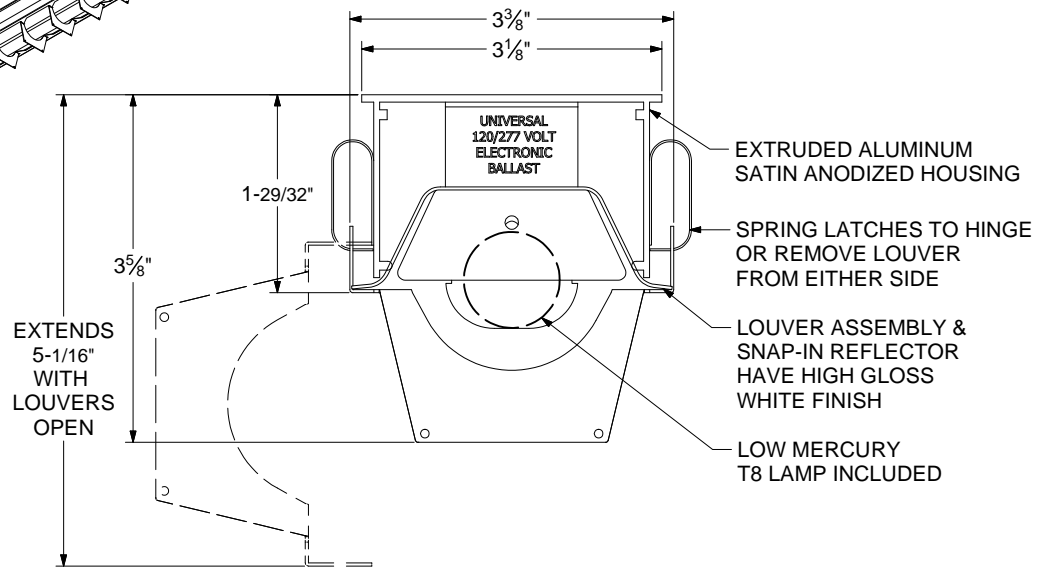
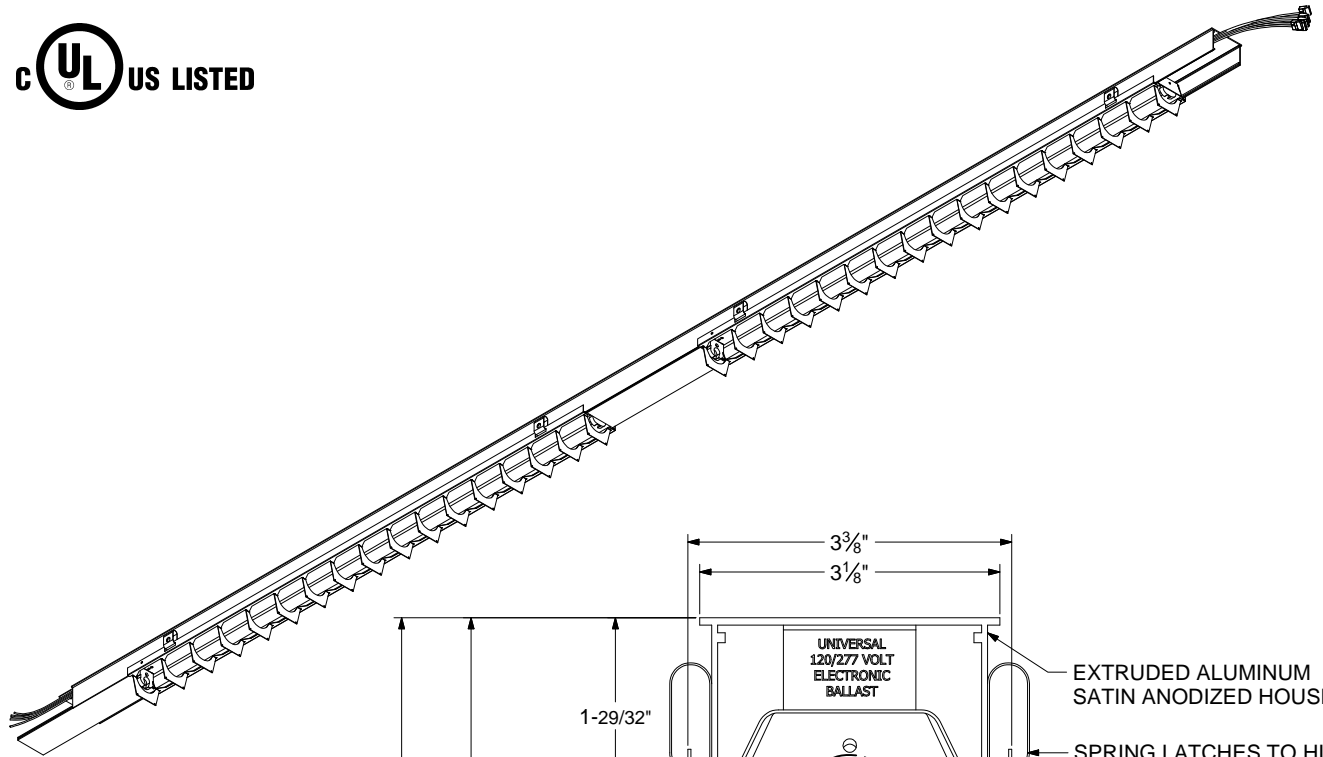


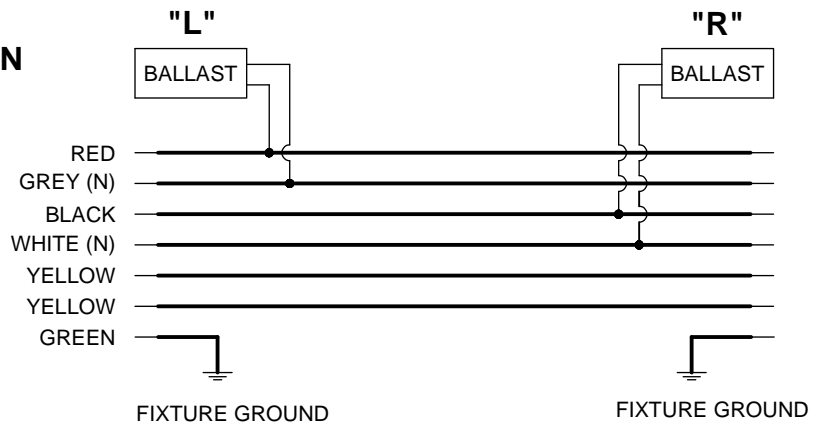


**AIREY-THOMPSON™**  
Manufacturing Quality Luminaires

# 55 SERIES TWIN LAMP FLUORESCENT FIXTURES



## TYPICAL WIRING PATTERN



YELLOW WIRES FOR 3-WAY SWITCHING INCLUDED ON "2Y" FIXTURES ONLY

PART NO.	OLD PART NO.	"A" DIM	LAMP TYPE	WIRING	VOLTAGE
5523291	SL-5524EE-120L SL-5524EE-277L	120"	(2)F32-T8	"L"	120/277
5523293	SL-5524EE-120R SL-5524EE-277R	120"	(2)F32-T8	"R"	120/277
5523292	SL-5524EE-120L2Y SL-5524EE-277L2Y	120"	(2)F32-T8	"L2Y"	120/277
5523294	SL-5524EE-120R2Y SL-5524EE-277R2Y	120"	(2)F32-T8	"R2Y"	120/277

### SPECIFICATIONS

- Extruded 6063-T5 aluminum housing and cover, 0.060 minimum wall thickness.  
No visible fasteners. Satin anodized aluminum finish.
- Environmentally friendly, low mercury lamps included.
- Easy installation and wiring. Push on wire connectors and snap off ballast cover standard.
- Fixtures may be mounted individually or in continuous rows.
- High power factor universal 120/277 volt, rapid start electronic ballast standard.
- Fixtures are shipped without end caps and with internal coupler for continuous row mounting, chase nipples are not required.
- All fixtures are Underwriters Laboratories listed file #78045.
- photometrics available on request.

**NOTE:** Regardless of feed location you must use end row assemblies. Use a combination of part numbers 5501 & 5503, or 2ea 5503 (Two 5501 assemblies will not work).