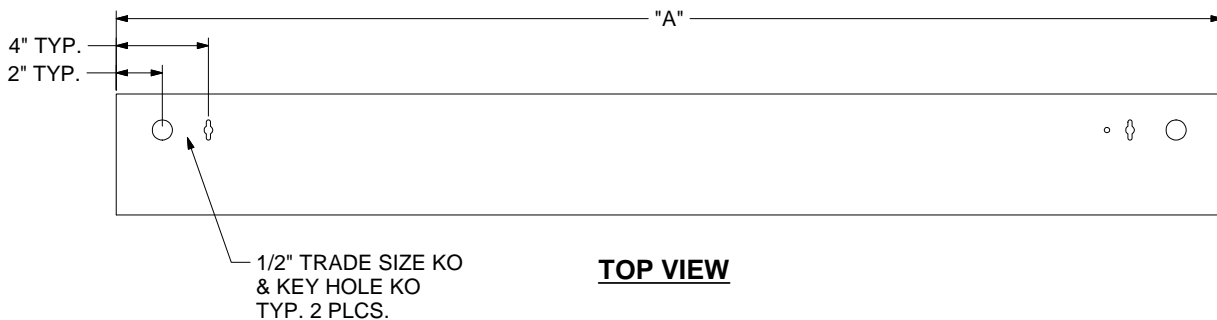
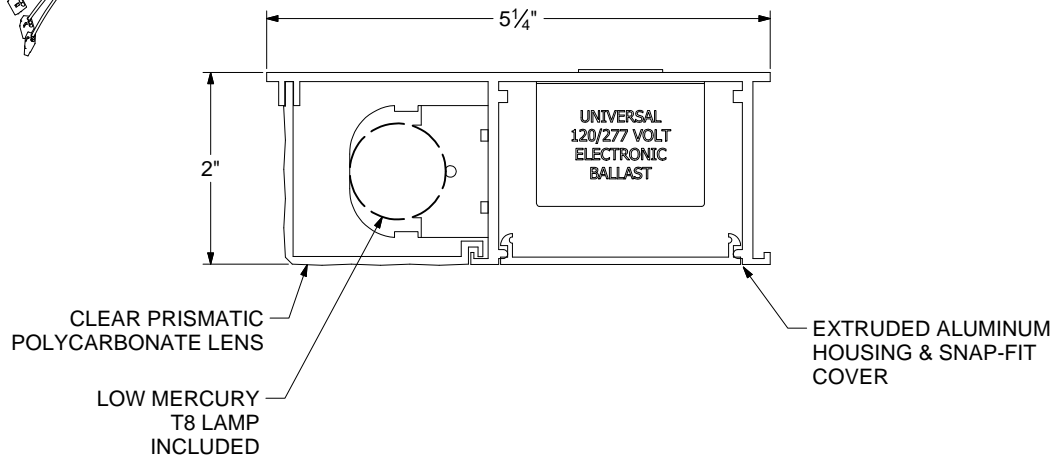
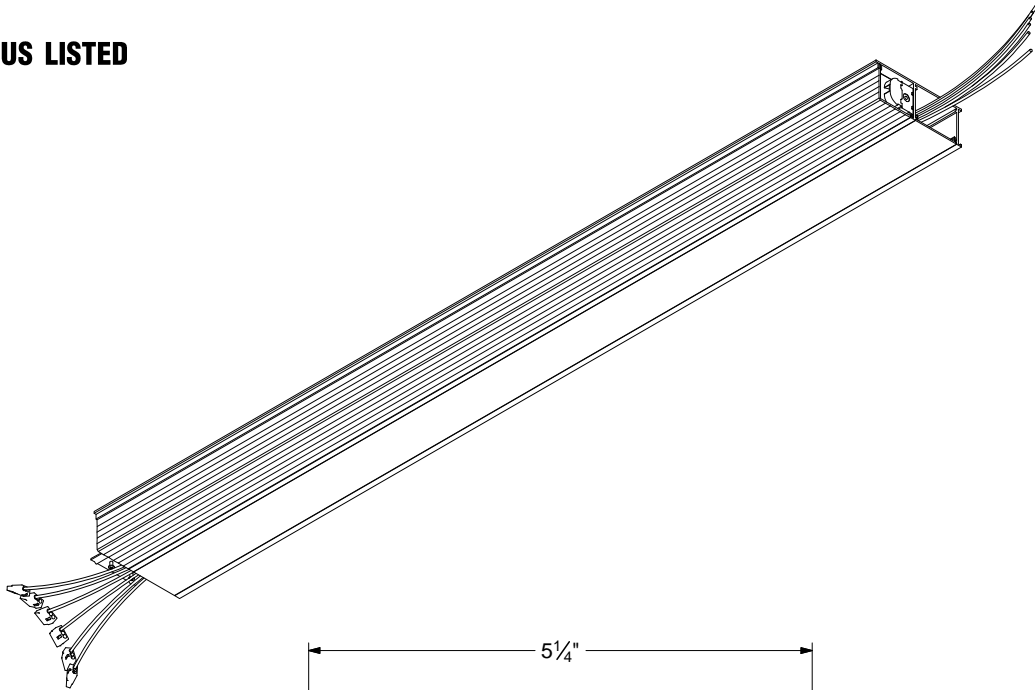


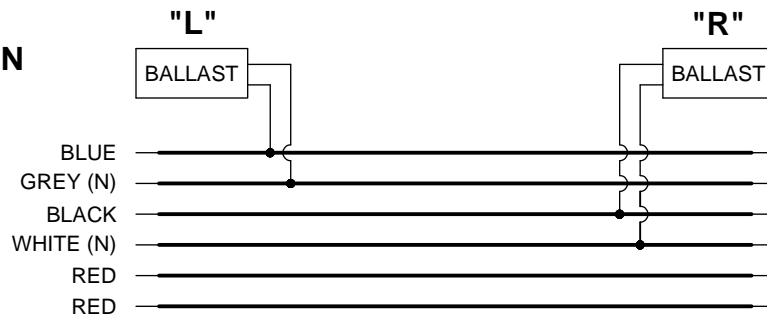


**AIREY-THOMPSON™**  
Manufacturing Quality Luminaires

# 25 ESX SERIES SINGLE SIDE FLUORESCENT FIXTURES CONTINUOUS ROW MOUNTING



## TYPICAL WIRING PATTERN



RED WIRES ARE PROVIDED FOR 3-WAY SWITCHING

PART NO.	OLD PART NO.	"A" DIM	LAMP TYPE	WIRING	VOLTAGE
25117912	2512SS-ESLX 2512SS7ESLX	24"	(1)F17-T8	"L"	120/277
25117932	2512SS-ESRX 2512SS7ESRX	24"	(1)F17-T8	"R"	120/277
25125912	2513SS-ESLX 2513SS7ESLX	36"	(1)F25-T8	"L"	120/277
25125932	2513SS-ESRX 2513SS7ESRX	36"	(1)F25-T8	"R"	120/277
25132912	2514SS-ESLX 2514SS7ESLX	48"	(1)F32-T8	"L"	120/277
25132932	2514SS-ESRX 2514SS7ESRX	48"	(1)F32-T8	"R"	120/277
25225912	2523SS-ESLX 2523SS7ESLX	72"	(2)F25-T8	"L"	120/277
25225932	2523SS-ESRX 2523SS7ESRX	72"	(2)F25-T8	"R"	120/277
25232912	2524SS-ESLX 2524SS7ESLX	96"	(2)F32-T8	"L"	120/277
25232932	2524SS-ESRX 2524SS7ESRX	96"	(2)F32-T8	"R"	120/277

## SPECIFICATIONS

- Extruded 6063-T5 aluminum housing and cover, 0.060 minimum wall thickness.  
No visible fasteners. Satin anodized aluminum finish.
- Environmentally friendly, low mercury lamps included.
- High impact, clear prismatic, extruded polycarbonate lens.
- Easy installation and wiring. Push on wire connectors and snap off ballast cover standard.
- Fixtures may be mounted individually or in continuous rows.
- High power factor universal 120/277 volt, rapid start electronic ballast standard.
- Fixtures are shipped without end caps and with internal coupler for continuous row mounting, chase nipples are not required.
- All fixtures are Underwriters Laboratories listed file #78045.
- photometrics available on request.