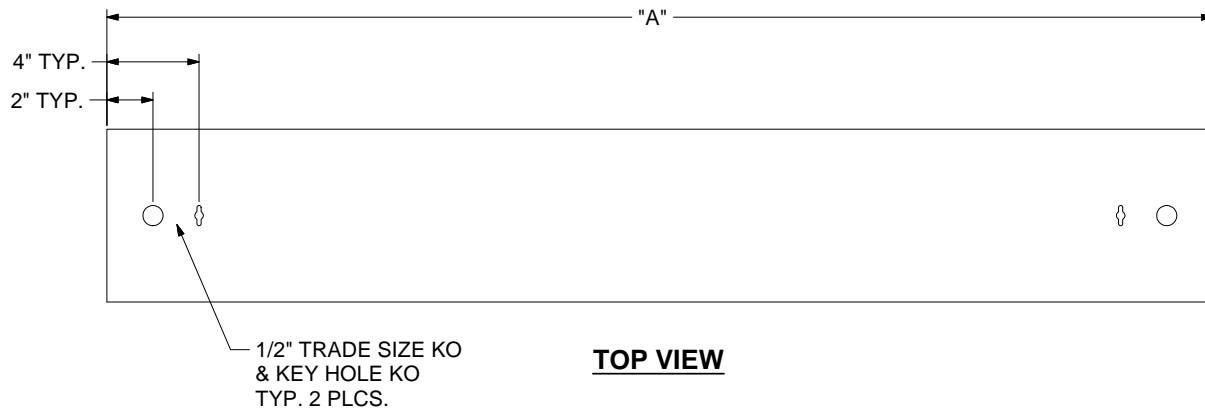
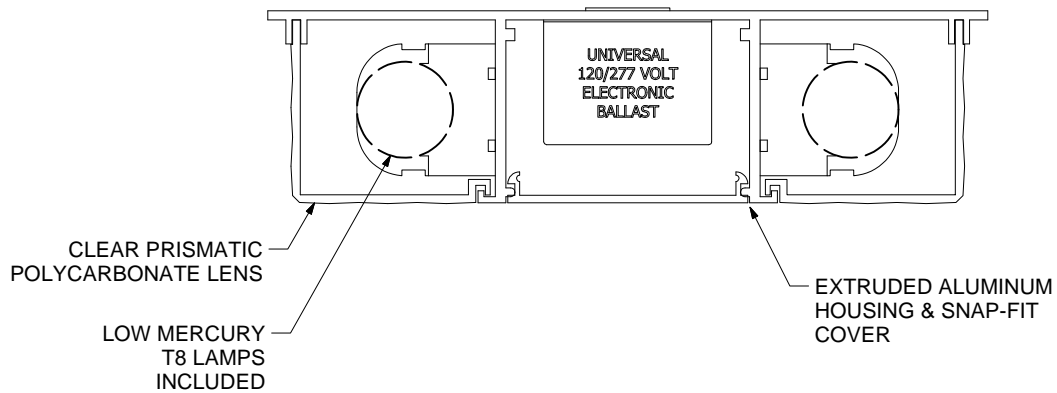
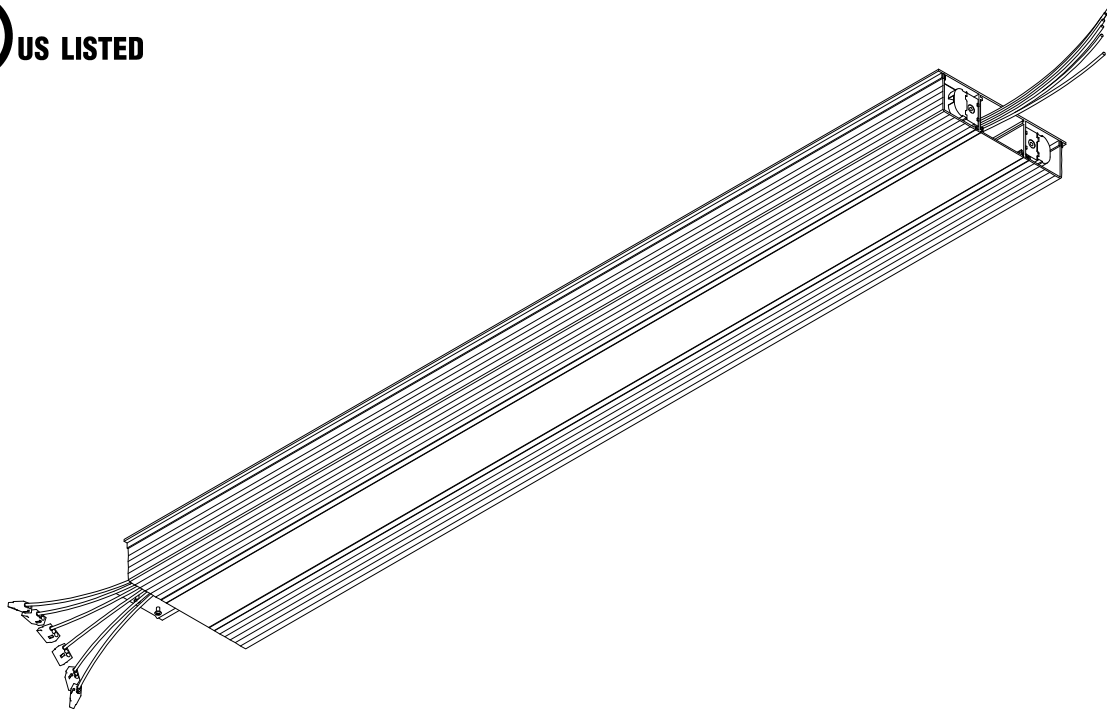


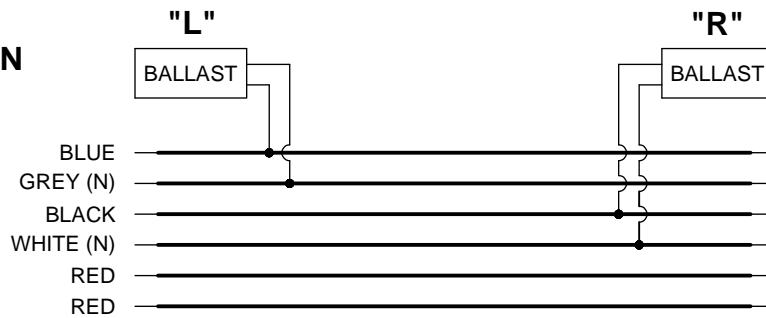


AIREY-THOMPSON™
Manufacturing Quality Luminaires

27 ESX SERIES DOUBLE SIDE FLUORESCENT FIXTURES CONTINUOUS ROW MOUNTING



TYPICAL WIRING PATTERN



RED WIRES ARE PROVIDED FOR 3-WAY SWITCHING

| PART NO. | OLD PART NO. | "A" DIM | LAMP TYPE | WIRING | VOLTAGE |
|----------|----------------------------|---------|-----------|--------|---------|
| 27217912 | 2522DS-ESLX 2522DS7ESLX | 24" | (2)F17-T8 | "L" | 120/277 |
| 27217932 | 2522DS-ESRX 2522DS7ESRX | 24" | (2)F17-T8 | "R" | 120/277 |
| 27225912 | 2523DS-ESLX 2523DS7ESLX | 36" | (2)F25-T8 | "L" | 120/277 |
| 27225932 | 2523DS-ESRX 2523DS7ESRX | 36" | (2)F25-T8 | "R" | 120/277 |
| 27232912 | 2524DS-ESLX 2524DS7ESLX | 48" | (2)F32-T8 | "L" | 120/277 |
| 27232932 | 2524DS-ESRX 2524DS7ESRX | 48" | (2)F32-T8 | "R" | 120/277 |
| 27425912 | 2543DS-ESLX 2543DS7ESLX | 72" | (4)F25-T8 | "L" | 120/277 |
| 27425932 | 2543DS-ESRX 2543DS7ESRX | 72" | (4)F25-T8 | "R" | 120/277 |
| 27432912 | 2544DS-ESLX 2544DS7ESLX | 96" | (4)F32-T8 | "L" | 120/277 |
| 27432932 | 2544DS-ESRX 2544DS7ESRX | 96" | (4)F32-T8 | "R" | 120/277 |

SPECIFICATIONS

- Extruded 6063-T5 aluminum housing and cover, 0.060 minimum wall thickness.
No visible fasteners. Satin anodized aluminum finish.
- Environmentally friendly, low mercury lamps included.
- High impact, clear prismatic, extruded polycarbonate lens.
- Easy installation and wiring. Push on wire connectors and snap off ballast cover standard.
- Fixtures may be mounted individually or in continuous rows.
- High power factor universal 120/277 volt, rapid start electronic ballast standard.
- Fixtures are shipped without end caps and with internal coupler for continuous row mounting, chase nipples are not required.
- All fixtures are Underwriters Laboratories listed file #78045.
- photometrics available on request.