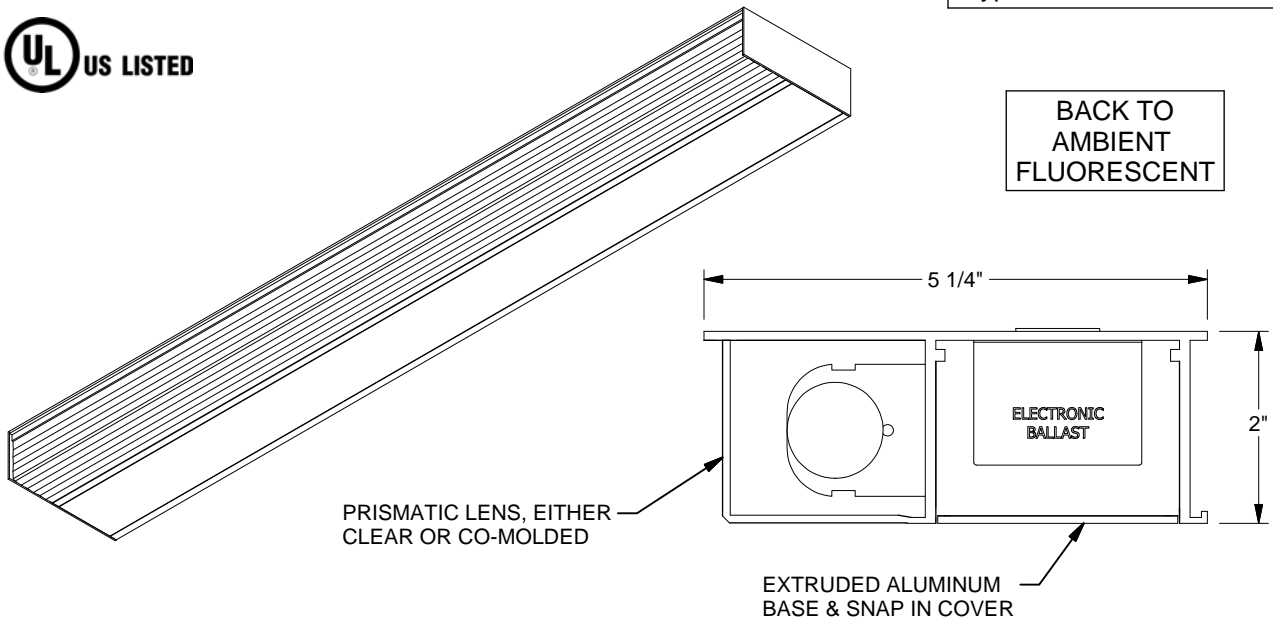




Type: _____



SPECIFICATIONS

- Satin anodized aluminum finish is standard. Custom finishes available upon request.
 - High impact prismatic, die formed, clear Polycarbonate lens is standard.
 - Optionally available with co-molded high impact acrylic lens.
 - Low 2" profile allows placement in shallow locations.
 - Luminaires can be wall or surface mounted.
 - Robust housing includes extruded 6063T-5 aluminum base & cover with .060 nominal wall thickness.
 - Fixtures may be mounted individually or in continuous rows. Feed end caps are available, order separately.
 - Fixtures are shipped with blank end caps. For continuous row mounting, simply remove end caps where luminaires meet, and use the internal coupler (provided) to make a seamless link.
 - Available for use with a variety of T8 lamp types. See chart for selection and lengths.
 - All hardwired models include KO's in the base to allow feeding from the back.
 - All units are UL & CUL LISTED damp locations.
 - The factory will be happy to discuss all of your special requests.
- * If ordered with lamps, 4100°K color temperature is standard, other lamp colors may be available.

How to build a part number	Product Series	Quantity of T8 lamps	Lamp watts	Ballast voltage	Standard options Suffix part # as required in the sequence below
Part number format	35	1	17	0	
Choices	35	See lamp chart for luminaire lengths. 1 or 2 lamps std.	17 25 32	0 = 120 7 = 277 9 = 120/277	-WC (6') White 3-wire cord & plug (18ga. SVT) -GC (6') Gray 3-wire cord & plug (18ga. SVT) -F Factory wired fuse -GCO Factory wired Grounded Convenience Outlet -SW Factory wired rocker switch (120V only) -SWD Factory wired decora switch -CM Co-molded lens -41K Lamps included