



# Marquee/Specialty 2+2 Decorative Strip Lights

Custom lighting  
for architects  
and designers



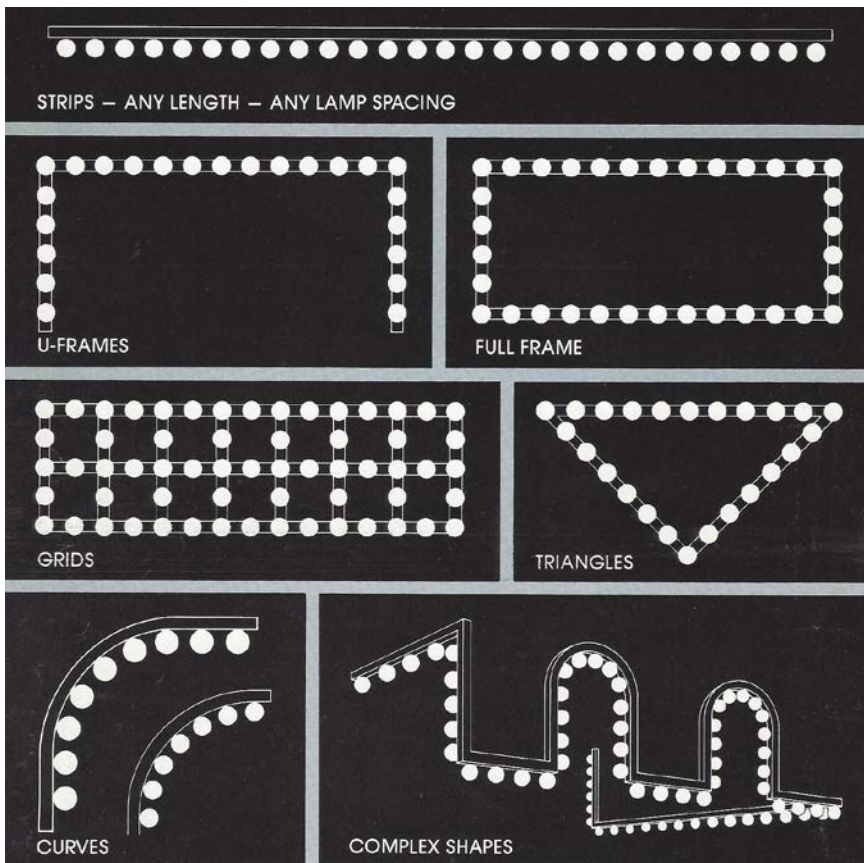
Airey-Thompson's 2+2 marquee strip lights provide design flexibility unequaled in the lighting industry. The 2+2 is a custom series which allows you to specify accent lighting conforming to your exact design requirements. These could be straight runs, framed mirrors, perimeter outlines, grids, curves or various other design possibilities.

**CONSTRUCTION:** Made from extruded anodized aluminum. No exposed screws or fasteners

**LAMPING:** For medium base LED or incandescent lamps

**FINISH:** Satin anodized, polished or polished gold finishes are standard finish options, custom colors available

**LISTINGS:** 2+2 fixtures can be ordered UL listed for wet locations. UL Listed for damp location standard.

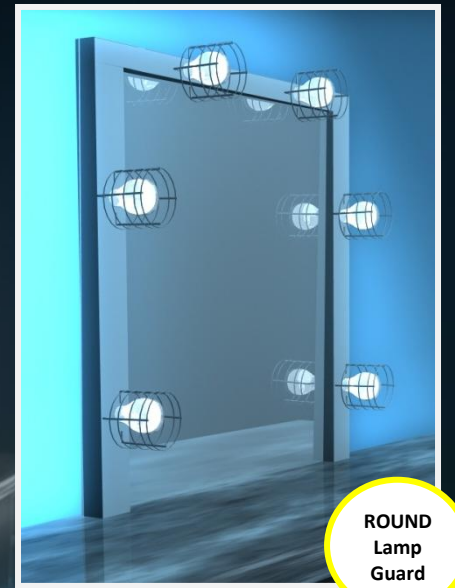


# Theater Dressing Room Make-up Mirror Lighting

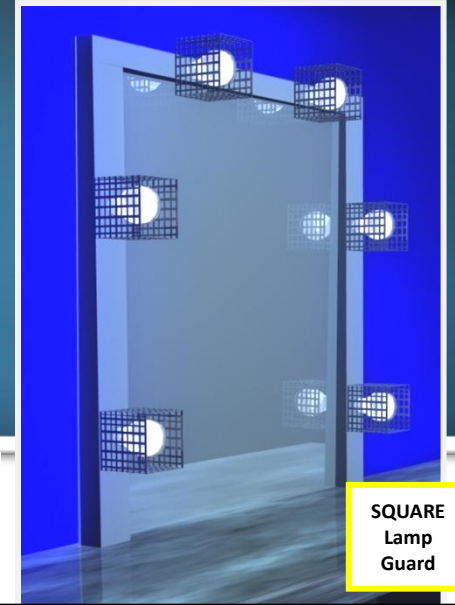


HEX  
Lamp  
Guard

Beautiful  
Hollywood Style



ROUND  
Lamp  
Guard



SQUARE  
Lamp  
Guard

## 2+2 or SLC Decorative Strip Lights

Transforms any dressing room befitting a star! Custom built in any configuration. You're the director and our supporting cast of engineers will work with any design, special lengths, miters, lamp spacing and curving. Extruded aluminum with satin, polished aluminum or polished gold finish standard, custom finishes available upon special request. 3 styles of lamp guards are available. Hex, Round and Square See lamp guard information page for information. Ideal for use with screw base LED high C.R.I. energy efficient alternate to incandescent lamps.

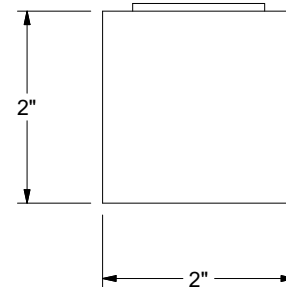
Specifications at Dressing Room / Marquee Products tab [www.airey-thompson.com](http://www.airey-thompson.com)



## 2+2 SERIES DECORATIVE STRIP LIGHTS W/ MEDIUM BASE LAMP HOLDERS



Type: \_\_\_\_\_



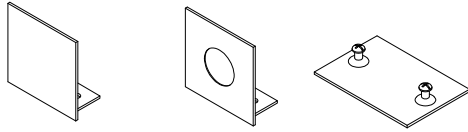
### DESCRIPTION

	<b>SATIN ALUMINUM</b>	<b>POLISHED ALUMINUM</b>	<b>POLISHED GOLD</b>
2' FIXTURE, 4 LAMP HOLDERS, <b>6"</b> O.C.	222060	222061	222062
3' FIXTURE, 6 LAMP HOLDERS, <b>6"</b> O.C.	223060	223061	223062
4' FIXTURE, 8 LAMP HOLDERS, <b>6"</b> O.C.	224060	224061	224062
5' FIXTURE, 10 LAMP HOLDERS, <b>6"</b> O.C.	225060	225061	225062
10' FIXTURE, 20 LAMP HOLDERS, <b>6"</b> O.C.	220060	220061	220062
2' FIXTURE, 2 LAMP HOLDERS, <b>12"</b> O.C.	222120	222121	222122
3' FIXTURE, 3 LAMP HOLDERS, <b>12"</b> O.C.	223120	223121	223122
4' FIXTURE, 4 LAMP HOLDERS, <b>12"</b> O.C.	224120	224121	224122
5' FIXTURE, 5 LAMP HOLDERS, <b>12"</b> O.C.	225120	225121	225122
10' FIXTURE, 10 LAMP HOLDERS, <b>12"</b> O.C.	220120	220121	220122

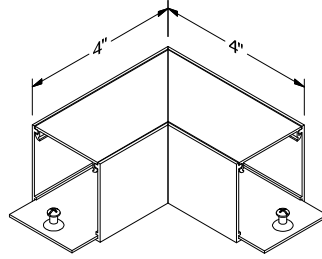
### SPECIFICATIONS

- Extruded aluminum with satin, polished aluminum or polished gold finish standard, custom finishes available upon special request.
- Supplied with flush mounted porcelain medium base lamp holders, lamps by others.
- Fixtures are shipped with blank end caps, for continuous row mounting, simply remove end caps where luminaires meet, and use the internal coupler (provided) to make a seamless link.
- Easy installation and wiring through snap off wiring compartment.
- LED and Incandescent lamps are easily dimmed with standard dimming controls.
- 60 watt max lamps for ceiling mount, 150 watt max for wall mounting or lamp base down mounting.
- Ideal for use with screw base energy efficient LED lamps.
- All units are UL & CUL LISTED damp locations. Optionally available for wet locations.
- Consult factory for special lengths, miters, lamp spacing, curving & layouts,
- On custom length continuous row luminaires lamp centers are adjusted to fit evenly over the length of the fixture.
- Lamp guards are available. See lamp guard sheets for information.

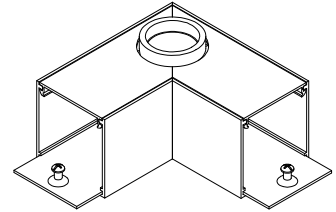
Type: \_\_\_\_\_



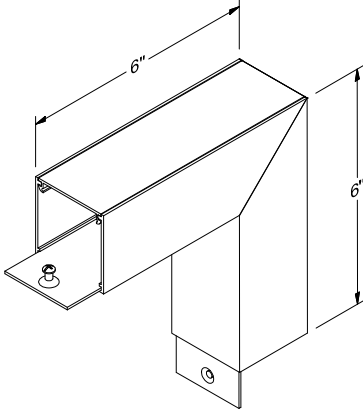
BLANK END      FEED END      COUPLING



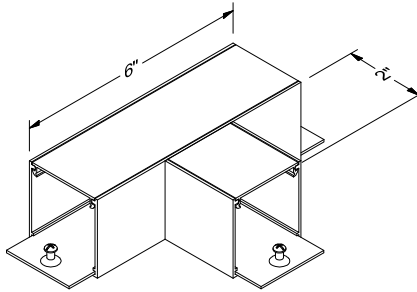
FLAT ELBOW



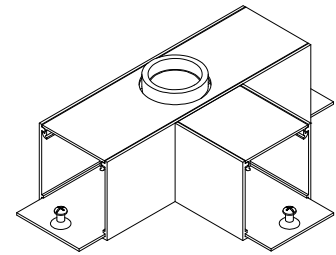
FLAT ELBOW W/ LAMP



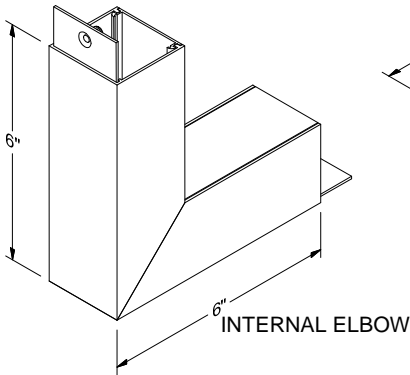
EXTERNAL ELBOW



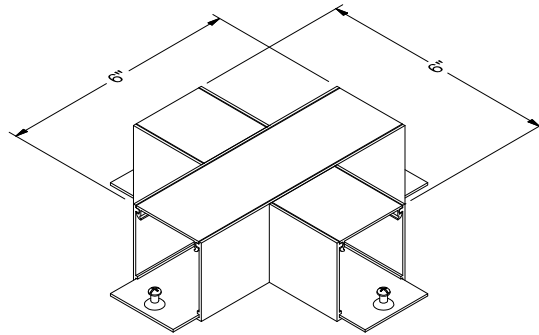
FLAT TEE



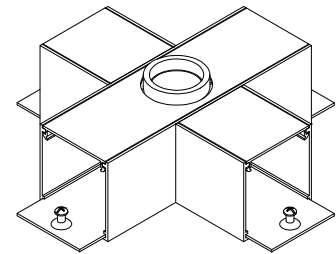
FLAT TEE W/ LAMP



INTERNAL ELBOW



FLAT CROSS



FLAT CROSS W/ LAMP

**DESCRIPTION**

- COUPLING
- BLANK END
- FEED END FITTING, W/ 1/2" KO
- FLAT ELBOW
- FLAT ELBOW W/ LAMP HOLDER
- INTERNAL ELBOW
- EXTERNAL ELBOW
- TEE
- TEE W/ LAMPHOLDER
- CROSS
- CROSS W/ LAMPHOLDER

**SATIN  
ALUMINUM**

- 220430
- 220470
- 220480
- 220890
- 220910
- 220920
- 220930
- 220940
- 220950
- 220960

**POLISHED  
ALUMINUM**

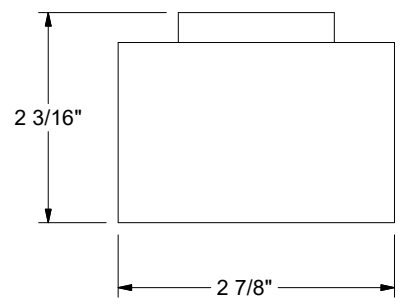
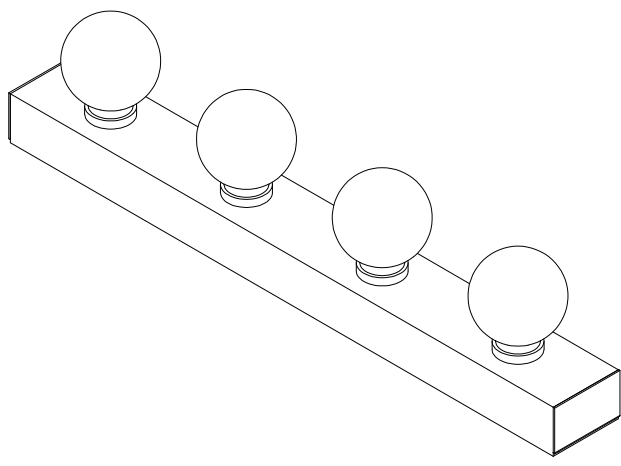
- 220430
- 220471
- 220481
- 220891
- 220911
- 220921
- 220931
- 220941
- 220951
- 220961

**POLISHED  
GOLD**

- 220430
- 220472
- 220482
- 220892
- 220912
- 220922
- 220932
- 220942
- 220952
- 220962

LAMPGUARDS AVAILABLE IN SQUARE, ROUND OR HEX SHAPES. SEE LAMPGUARD SPEC SHEET FOR MORE INFORMATION.

Type: \_\_\_\_\_



IDEAK FOR USE  
WITH SCREW  
BASE LED LAMPS

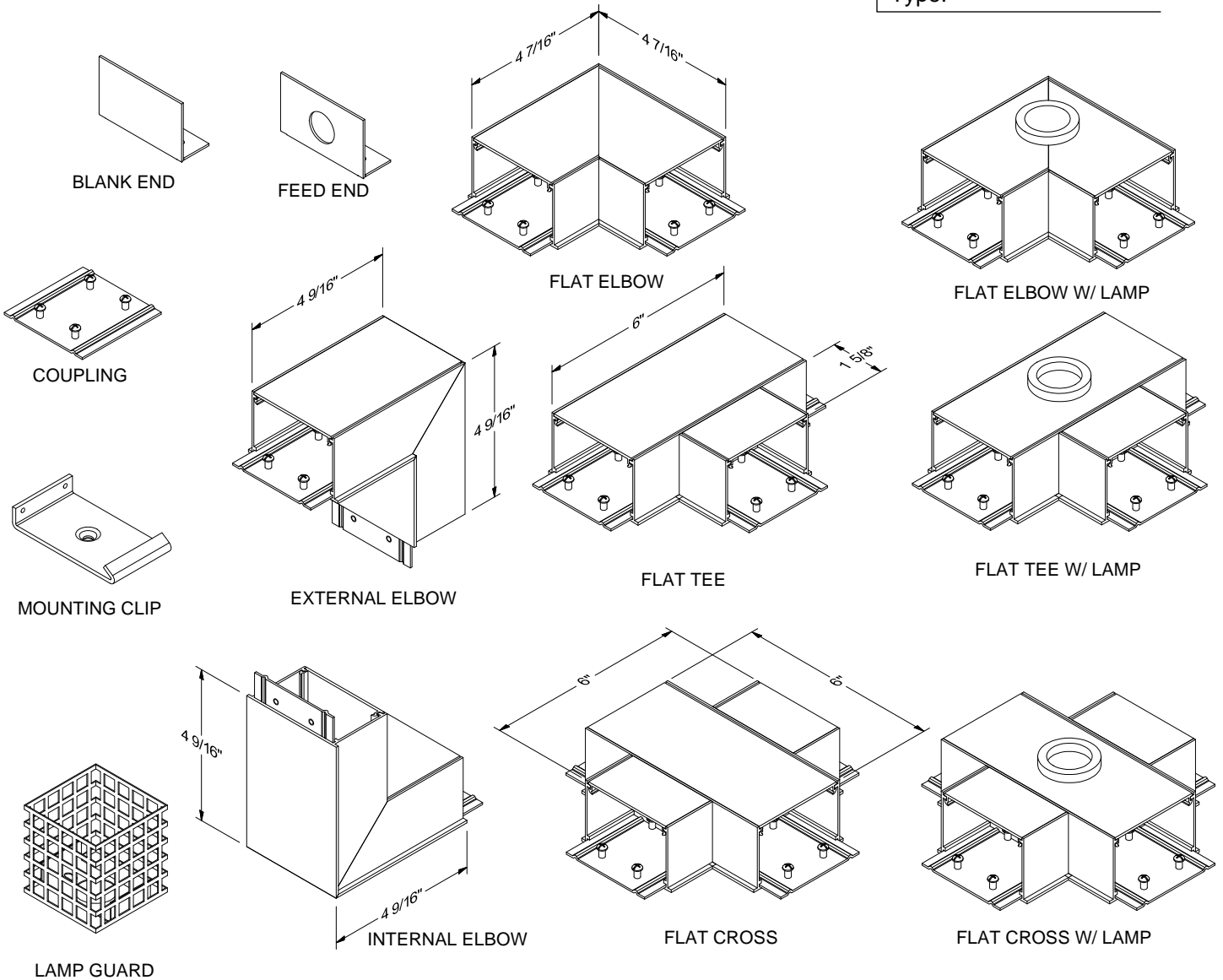
<u>DESCRIPTION</u>	<u>SATIN ALUMINUM</u>
2' FIXTURE, 6 LAMP HOLDERS, 4" O.C.	320204
3' FIXTURE, 9 LAMP HOLDERS, 4" O.C.	320304
4' FIXTURE, 12 LAMP HOLDERS, 4" O.C.	320404
8' FIXTURE, 24 LAMP HOLDERS, 4" O.C.	320804
2' FIXTURE, 4 LAMP HOLDERS, 6" O.C.	320206
3' FIXTURE, 6 LAMP HOLDERS, 6" O.C.	320306
4' FIXTURE, 8 LAMP HOLDERS, 6" O.C.	320406
8' FIXTURE, 12 LAMP HOLDERS, 6" O.C.	320806
2' FIXTURE, 2 LAMP HOLDERS, 12" O.C.	320212
3' FIXTURE, 3 LAMP HOLDERS, 12" O.C.	320312
4' FIXTURE, 4 LAMP HOLDERS, 12" O.C.	320412
8' FIXTURE, 8 LAMP HOLDERS, 12" O.C.	320812
3' FIXTURE, 1 LAMP HOLDER, 24" O.C.	320324
4' FIXTURE, 2 LAMP HOLDERS, 24" O.C.	320424
8' FIXTURE, 4 LAMP HOLDERS, 24" O.C.	320824

**SPECIFICATIONS**

- Extruded aluminum with anodized finish standard, custom finishes upon special request.
- Supplied with flush mounted porcelain medium base lamp holders, lamps by others.
- Fixtures are shipped with blank end caps, for continuous row mounting, simply remove end caps where luminaires meet, and use the internal coupler (provided) to make a seamless link.
- Easy installation and wiring through snap off wiring compartment.
- LED and Incandescent lamps are easily dimmed with standard dimming controls.
- 60 watt max lamps for ceiling mount, 150 watt max for wall mounting or lamp base down mounting.
- Ideal for use with screw base energy efficient LED lamps.
- All units are UL & CUL LISTED damp locations. Optionally available for wet locations.
- Consult factory for special lengths, miters, lamp spacing, curving & layouts.
- On custom length continuous row luminaires lamp centers are adjusted to fit evenly over the length of the fixture.
- Lamp guards are available in square, round or hex shapes. See lamp guard sheets for information.



Type: \_\_\_\_\_



**DESCRIPTION**

COUPLING  
BLANK END  
END FITTING, 1/2" K.O.  
MOUNTING CLIP  
FLAT ELBOW  
FLAT ELBOW W/ LAMPHOLDER  
INTERNAL ELBOW  
EXTERNAL ELBOW

**SATIN  
ALUMINUM**

330430  
330470  
330480  
330490  
330890  
330900  
330910  
330920

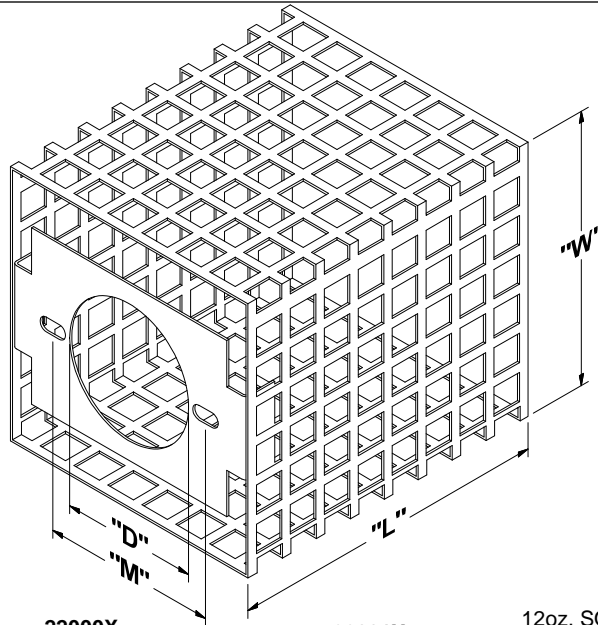
**DESCRIPTION**

TEE  
TEE W/ LAMPHOLDER  
CROSS  
CROSS W/ LAMPHOLDER  
"A" TYPE LAMPGUARD  
"G25" TYPE LAMPGUARD  
"G40" TYPE LAMPGUARD

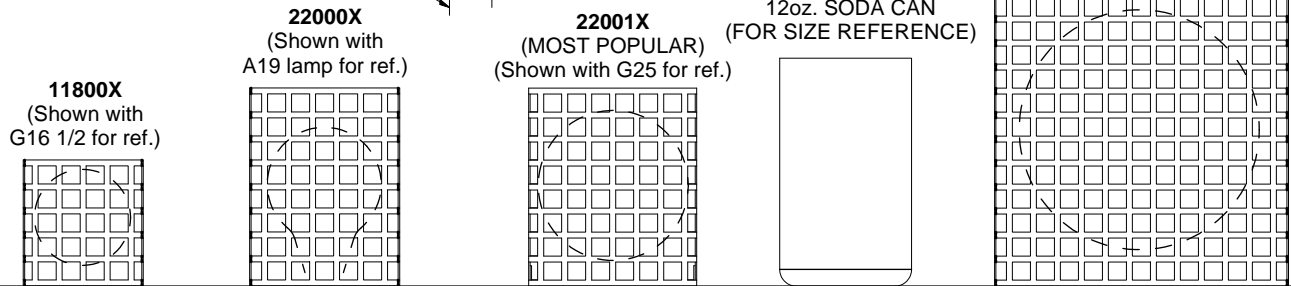
**SATIN  
ALUMINUM**

330930  
330940  
330950  
330960  
220001  
220011  
220021

Type: \_\_\_\_\_



BACK TO  
DECORATIVE  
INCANDESCENT

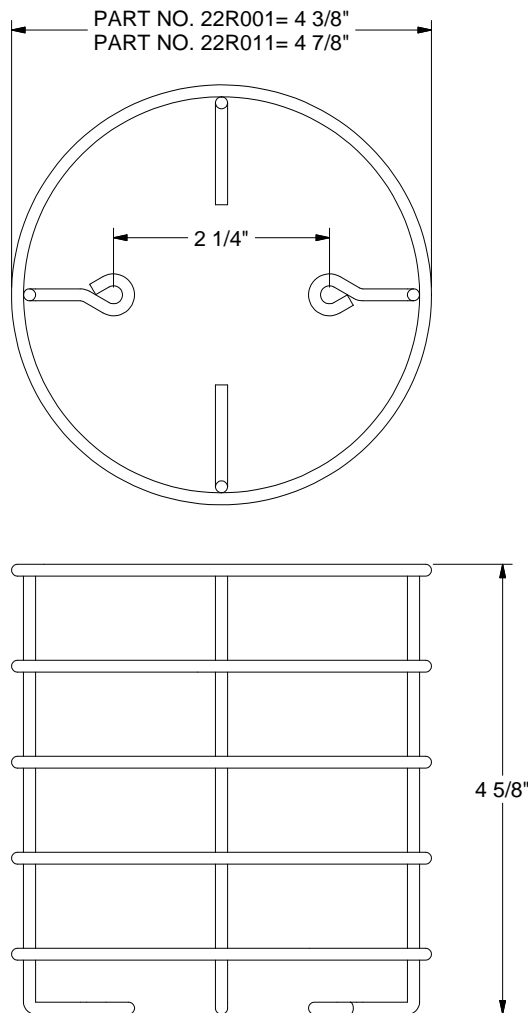


PART NO.	FINISH	DESCRIPTION	"W"	"L"	"D"	"M"
118001	Bright Nickel	Candelabra base up to G16 1/2 lamp	2 1/2"	2 5/8"	1 1/16"	1 3/4"
118002	Bright Brass	Candelabra base up to G16 1/2 lamp	2 1/2"	2 2/8"	1 1/16"	1 3/4"
220001	Bright Nickel	Medium base up to A19 lamp	3 1/8"	4 1/8"	1 3/4"	2 1/4"
220002	Bright Brass	Medium base up to A19 lamp	3 1/8"	4 1/8"	1 3/4"	2 1/4"
220011	Bright Nickel	Medium base up to G25 lamp	3 1/2"	4 1/8"	1 3/4"	2 1/4"
220012	Bright Brass	Medium base up to G25 lamp	3 1/2"	4 1/8"	1 3/4"	2 1/4"
220021	Bright Nickel	Medium base up to G40 lamp	6 1/8"	7 1/8"	1 3/4"	2 1/4"
220022	Bright Brass	Medium base up to G40 lamp	6 1/8"	7 1/8"	1 3/4"	2 1/4"

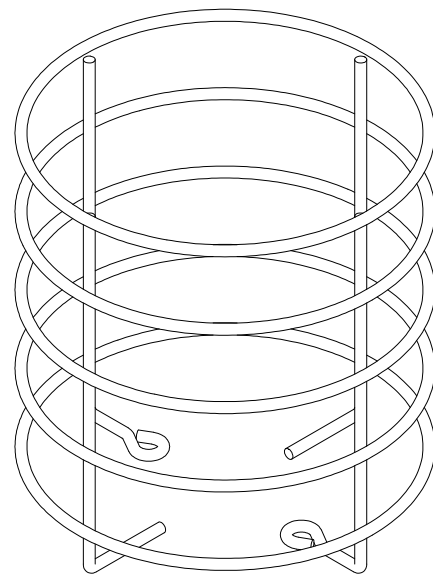
## SPECIFICATIONS

- Lamp guards are available in bright nickel plating for satin aluminum and polish aluminum luminaires.
- For polished gold luminaires, lamp guards are available in bright brass plating.
- Lamp guards are available with a custom painted finish on special order.
- All lamp guards are manufactured from 3/8" square opening, 1/8" web, 22 ga. c.r.s. The 220021 and 220022 have 1/2" X 16 ga. c.r.s. stiffeners top and bottom.
- Complies with National Electrical Code (NEC) Section #520.72, which states: All incandescent lamps in dressing rooms, where less than 8 feet (2.5 m) from floor, shall be equipped with open-end guards riveted to the outlet box cover or otherwise sealed or locked in place.
- Luminaires will be prepunched for mounting screws when ordered with lamp guards.
- Field drilling may be required if luminaires are ordered separately.

Type: \_\_\_\_\_



BACK TO  
DECORATIVE  
INCANDESCENT



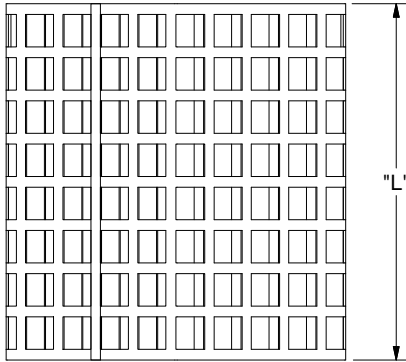
<u>PART NO.</u>	<u>FINISH</u>	<u>DESCRIPTION</u>
22R001	Bright Nickel	Medium Base up to A19 lamp
22R011	Bright Nickel	Medium Base up to G25 lamp

### SPECIFICATIONS

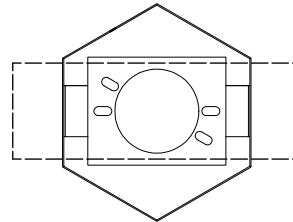
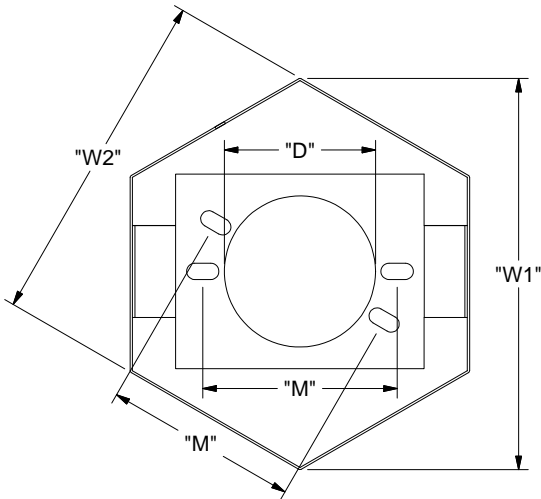
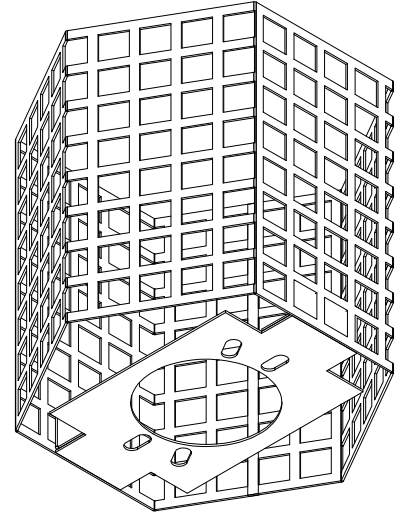
- Lamp guards are available with a custom painted finish on special order.
- Lamp guards are manufactured from #11 ga. c.r.s. wire.
- Complies with National Electrical Code (NEC) Section #520.72, which states:  
All incandescent lamps in dressing rooms, where less than 8 feet (2.5 m) from floor, shall be equipped with open-end guards riveted to the outlet box cover or otherwise sealed or locked in place.
- Luminaires will be prepunched for mounting screws when ordered with lamp guards.
- Field drilling may be required if luminaires are ordered separately.



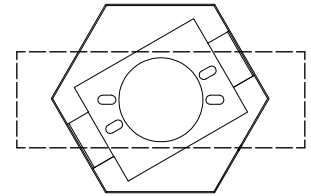
Type:



BACK TO  
DECORATIVE  
INCANDESCENT



Lamp guard may be mounted  
point perpendicular to extrusion.



Lamp guard may also be mounted  
point parallel to extrusion.

PART NO.	FINISH	DESCRIPTION	"W1"	"W2"	"L"	"D"	"M"
220031	Bright Nickel	Medium base up to A19 lamp	3 7/8"	3 3/8"	4 1/8"	1 3/4"	2 1/4"
220032	Bright Brass	Medium base up to A19 lamp	3 7/8"	3 3/8"	4 1/8"	1 3/4"	2 1/4"
220041	Bright Nickel	Medium base up to G25 lamp	4 1/2"	3 15/16"	4 1/8"	1 3/4"	2 1/4"
220042	Bright Brass	Medium base up to G25 lamp	4 1/2"	3 15/16"	4 1/8"	1 3/4"	2 1/4"

## SPECIFICATIONS

- Lamp guards are available in bright nickel plating for satin aluminum and polish aluminum luminaires.
- For polished gold luminaires, lamp guards are available in bright brass plating.
- Lamp guards are available with a custom painted finish on special order.
- All lamp guards are manufactured from 3/8" square opening, 1/8" web, 22 ga. c.r.s.
- Complies with National Electrical Code (NEC) Section #520.72, which states:  
All exposed incandescent lamps in dressing rooms, where less than 2.5 m (8 feet) from floor, shall be equipped with open-end guards riveted to the outlet box cover or otherwise sealed or locked in place.
- Luminaires will be prepunched for mounting screws when ordered with lamp guards.
- Field drilling may be required if luminaires are ordered separately.