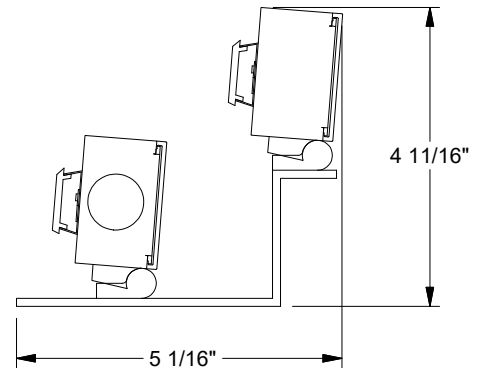




20L DOUBLE ROW LED ASYMMETRIC COVE LIGHTING AIMABLE SPEC GRADE / MADE IN USA



FEATURES

- Smooth asymmetrical beam
- Independently aimable with 85° range
- Multiple lumen packages up to 3600lm/ft
- Integral 120/277V 0-10V capable driver
- Color consistency < 3-Step MacAdam
- Made in the USA / Buy America compliant



SPECIFICATIONS

LED ARRAY

High density LED arrays are used to maximize visual appeal. Only premium quality LED chips are used and are available in 2700K, 3000K, 3500K, 4000K and 5000K with a tested CRI of 85, 90+ is available. Color consistency less than 3 SDCM. Arrays are mounted to an aluminum cover for enhanced thermal management to extend LED life.

ELECTRICAL

Integral 120/277V, 0-10V dimmable drivers are standard. 1% 0-10V dimming driver optional.

CONSTRUCTION

Satin anodized extruded aluminum housing and LED mounting. Lens is extruded clear acrylic for maximum efficacy. Aluminum end caps with no visible screws. Aluminum lens mounting channel. Adjustable angle mounting brackets.

PERFORMANCE

138 Lumens per watt for 4000K. Three standard light output options: Normal 10 watts and 1350 lumens per foot, High 14 watts and 1890 lumens per foot, Very high 20 watts and 2700 lumens per foot. Custom lumen programming available up to 3600 lumens per foot.

WARRANTY

Luminaire warranted for 5 years from the date of manufacturing.

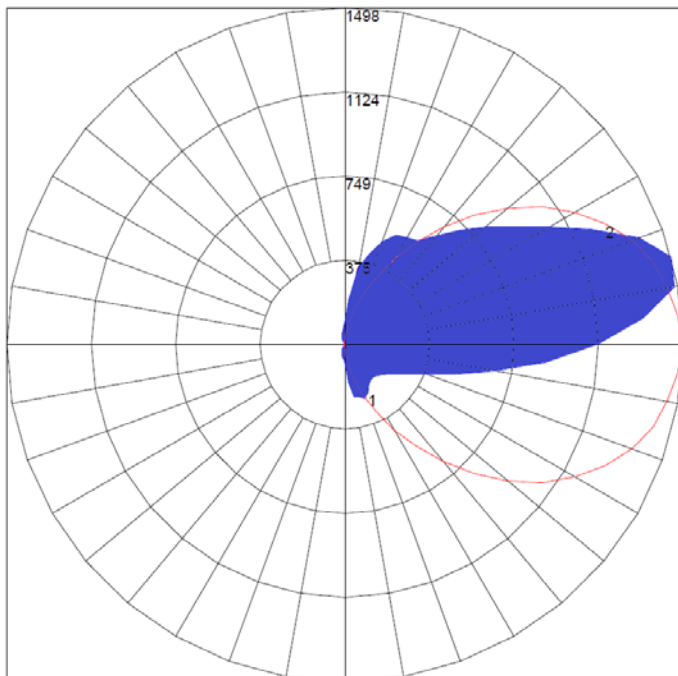
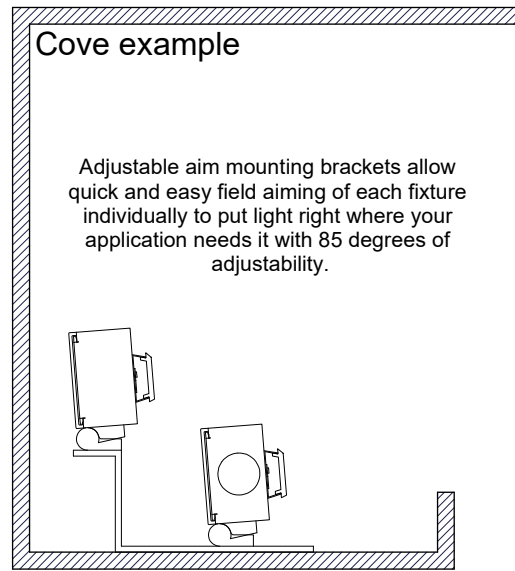
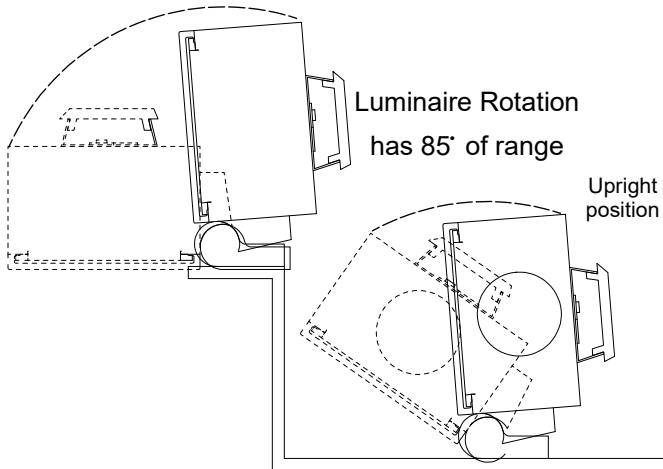


20L DOUBLE ROW LED ASYMMETRIC COVE LIGHTING AIMABLE SPEC GRADE/ MADE IN USA

How to build a part number	Product Series	Light Output	Color Temperature	Length in Inches	Housing Color	Dimming Options	Beam Selection
----------------------------	----------------	--------------	-------------------	------------------	---------------	-----------------	----------------

Part number format	20LDR	N	40K	96	0	-D10	-AS1
--------------------	--------------	----------	------------	-----------	----------	-------------	-------------

Choices	20LDR	N= Normal H= High V= Very High CUSTOM*	27K 30K 35K 40K 50K	12 24 36 48 60 72 84 96	0= Satin	-D10 10% 0-10V dimmable driver -D11 1% 0-10V dimming	-AS1 Asymmetrical beam
	*For custom outputs, specify lumen target per foot up to 3600LM/FT						



Polar Chart for single row 20LN40K24-0-AS1 adjusted to upright position

AS1 BEAM NORMAL OUTPUT		
LENGTH	WATTAGE	LUMENS
24"	20	2750
48"	40	5500
96"	80	11000

AS1 BEAM HIGH OUTPUT		
LENGTH	WATTAGE	LUMENS
24"	28	3850
48"	56	7700
96"	112	15400

AS1 BEAM VERY HIGH OUTPUT		
LENGTH	WATTAGE	LUMENS
24"	40	5500
48"	80	11000
96"	160	22000