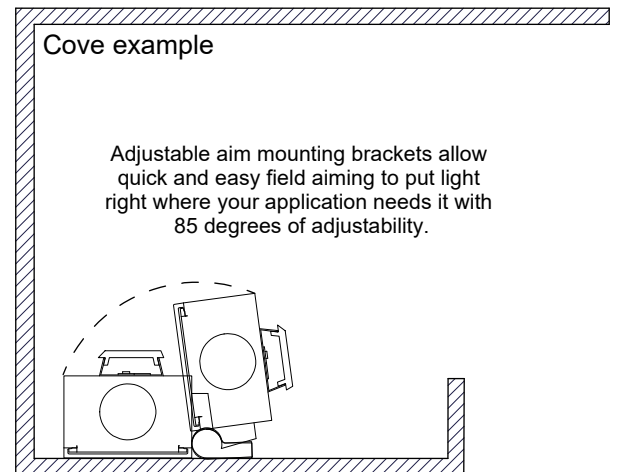
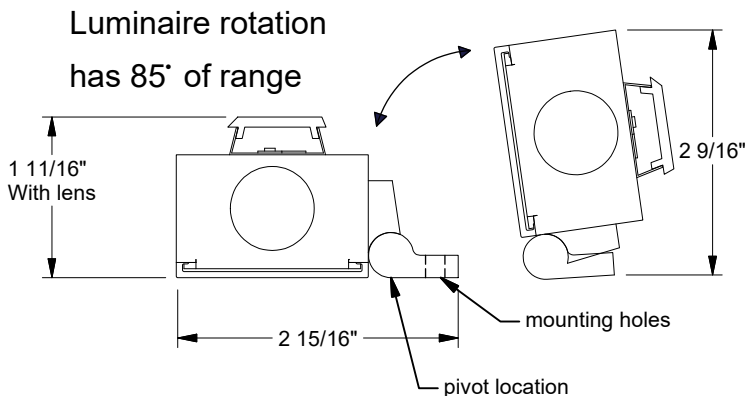


FEATURES

Smooth symmetrical beam pattern
Adjustable / Aimable mounting 85° range
Lensed and non-lensed options
Multiple lumen packages to choose from
Integral 120/277V 0-10V dimmable driver
Made in the USA / Buy America compliant



L70 > 72,000
80+ CRI
90+ AVAIL.



SPECIFICATIONS

LED ARRAY

High density LED arrays are used to maximize visual appeal. Only premium quality Samsung LED chips are used and are available in 2700K, 3000K, 3500K, 4000K and 5000K with a tested CRI of 85, 90+ optional. Arrays are mounted to an aluminum cover for thermal management to extend LED life.

ELECTRICAL

Integral 120/277V, 0-10V dimmable drivers are standard. 1% 0-10V dimming driver optional.

CONSTRUCTION

Satin anodized extruded aluminum housing and LED mounting. Lens (if equipped) is extruded clear acrylic for maximum efficacy. Aluminum end caps with no visible screws. Stainless steel lens mounting clip. Adjustable angle mounting brackets.

PERFORMANCE

137 Lumens per watt for 4000K. Three standard light output options: Normal 5 watts and 675 lumens per foot, High 7 watts and 945 lumens per foot, Very high 10 watts and 1350 lumens per foot. Custom lumen programming available up to 1800 lumens per foot.

WARRANTY

Luminaire warranted for 5 years from the date of manufacturing.



20L SERIES LED ASYMMETRIC COVE LIGHTING SPEC GRADE/ MADE IN USA

How to build a part number	Product Series	Light Output	Color Temperature	Length in Inches	Housing Color	Options	Lens Selection
----------------------------	----------------	--------------	-------------------	------------------	---------------	---------	----------------

Part number format	20L	N	40K	96	0	-D10	-SM1
--------------------	------------	----------	------------	-----------	----------	-------------	-------------

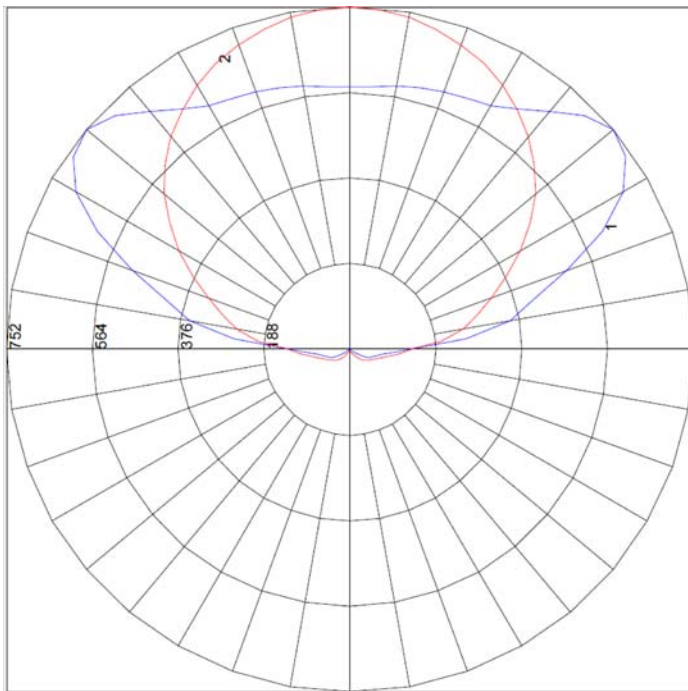
Choices	20L	N = Normal H = High V = Very High (Custom up to 1800LM/FT)	27K 30K 35K 40K 50K	12 24 36 48 60 72 84 96	0 = Satin	-D10 = 10% 0-10V dimmable -D11 = 1% 0-10V dimmable -90C = 90CRI	-SM1 = Symmetrical beam lens Blank = No lens
---------	------------	--	--	--	------------------	--	---



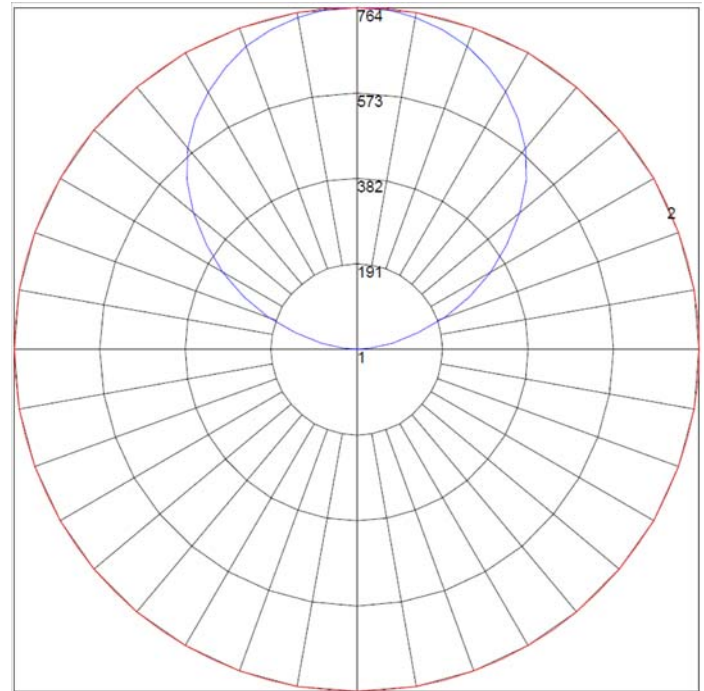
SM1 BEAM NORMAL OUTPUT		
LENGTH	WATTAGE	LUMENS
24"	10	1360
48"	19.77	2719
96"	39.54	5438

SM1 BEAM HIGH OUTPUT		
LENGTH	WATTAGE	LUMENS
24"	14	1904
48"	27.78	3806
96"	55.56	7613

SM1 BEAM VERY HIGH OUTPUT		
LENGTH	WATTAGE	LUMENS
24"	20	2750
48"	39.68	5500
96"	79.36	11000



Polar Chart for 20LN40K48-0-SM1
adjusted to flat position



Polar Chart for 20LN40K48-0 (no lens)
adjusted to flat position

