

25 & 27 SERIES INSTALLATION INSTRUCTIONS

Depending on the specific luminaire model ordered, here are the wiring options. The seventh character of the part number determines the way the luminaire is wired.

If the character is '0' there will be the standard black & white wire.

If the character is '1' there will be black & white ("R" circuit) and blue & grey ("L" circuit) as well as 2 red carrier wires for 3 way switching. The ballast will be connected to the "L" circuit.

If the character is '3' there will be the same color & quantity of wires as directly above, however the ballast will be connected to the "R" circuit.

MOUNTING LUMINAIRES

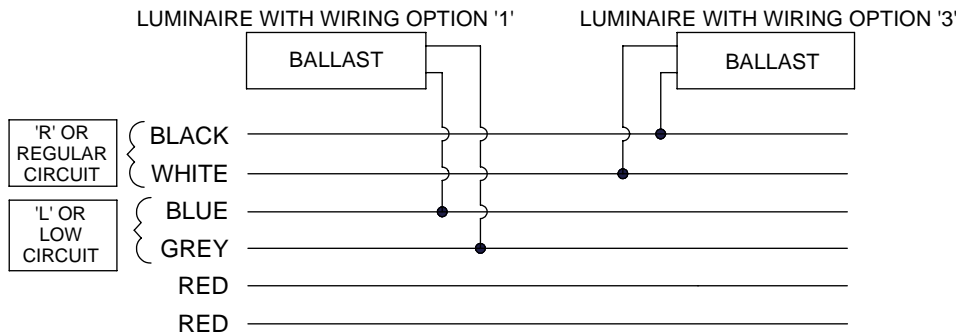
Luminaires may be mounted directly to a surface, or suspended using your choice of a variety of mounting brackets. (see Airey-Thompson telecom luminaire hanger guide for more information) Hanger brackets may be positioned anywhere along the length of the luminaire. Two hangers per luminaire are recommended.

SUPPLY CONNECTIONS

1. Remove the snap fit cover to access the wiring compartment.
2. Supply conductors may feed through 1/2" trade size K.O. in the base or through feed end fitting.
3. Connect circuit wiring (refer to wiring diagram)

CONTINUOUS ROW MOUNTING

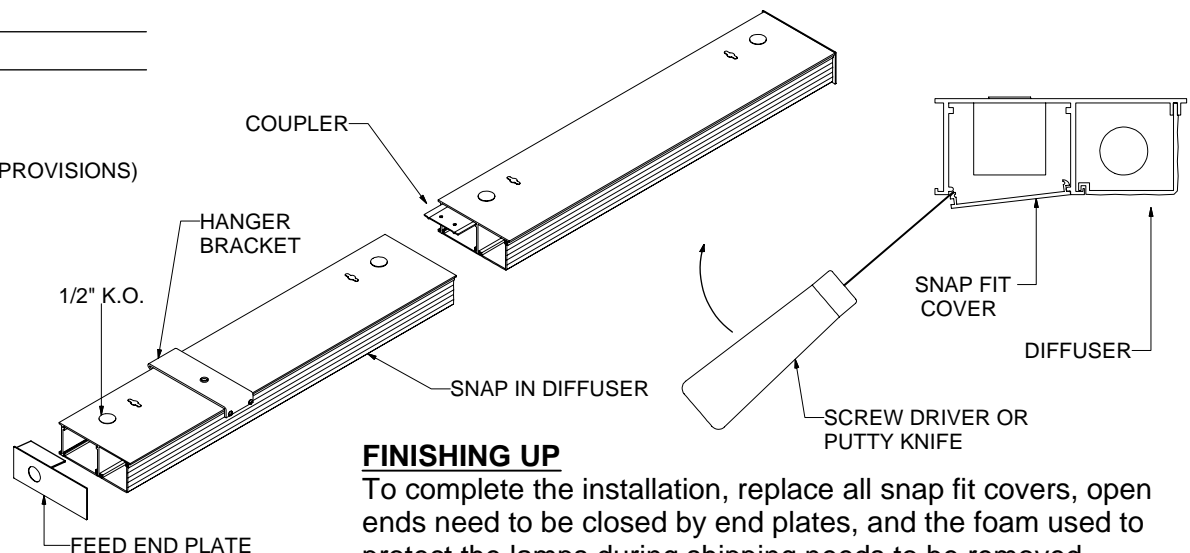
Couplers are provided for continuous row mounting. Position the coupler into the groove of the base so that it extends from one luminaire into another. Butt luminaires together, tighten mounting bracket set screws and coupler set screws. Make all through wire connections.



WIRING DIAGRAM

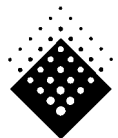
(ALL LUMINAIRES INCLUDE GROUNDING PROVISIONS)

THIS PRODUCT MUST BE INSTALLED IN ACCORDANCE WITH THE APPLICABLE INSTALLATION CODE BY A PERSON FAMILIAR WITH THE CONSTRUCTION AND OPERATION OF THE PRODUCT AND THE HAZARDS INVOLVED.



FINISHING UP

To complete the installation, replace all snap fit covers, open ends need to be closed by end plates, and the foam used to protect the lamps during shipping needs to be removed.



AIREY-THOMPSON™