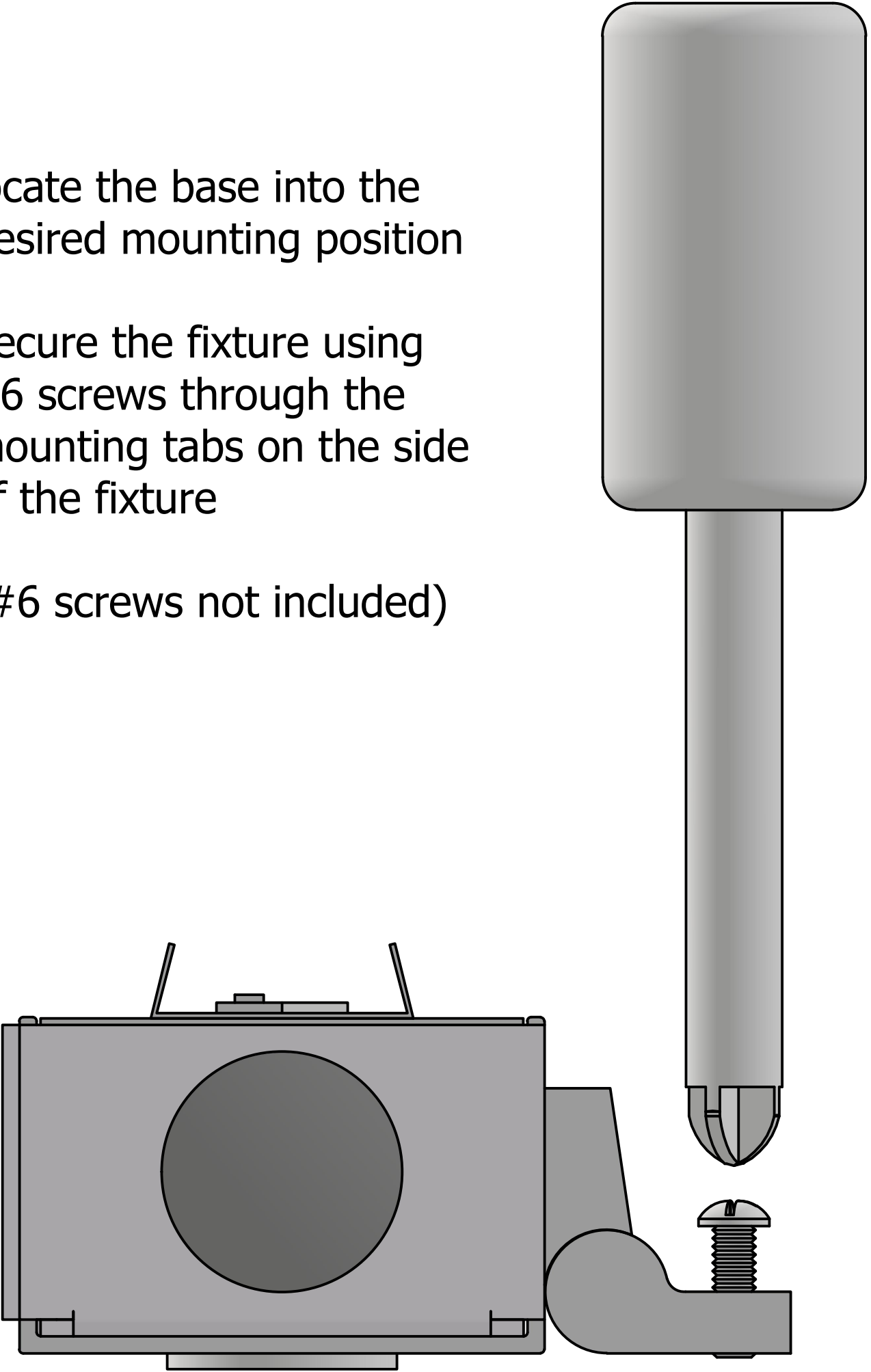


1

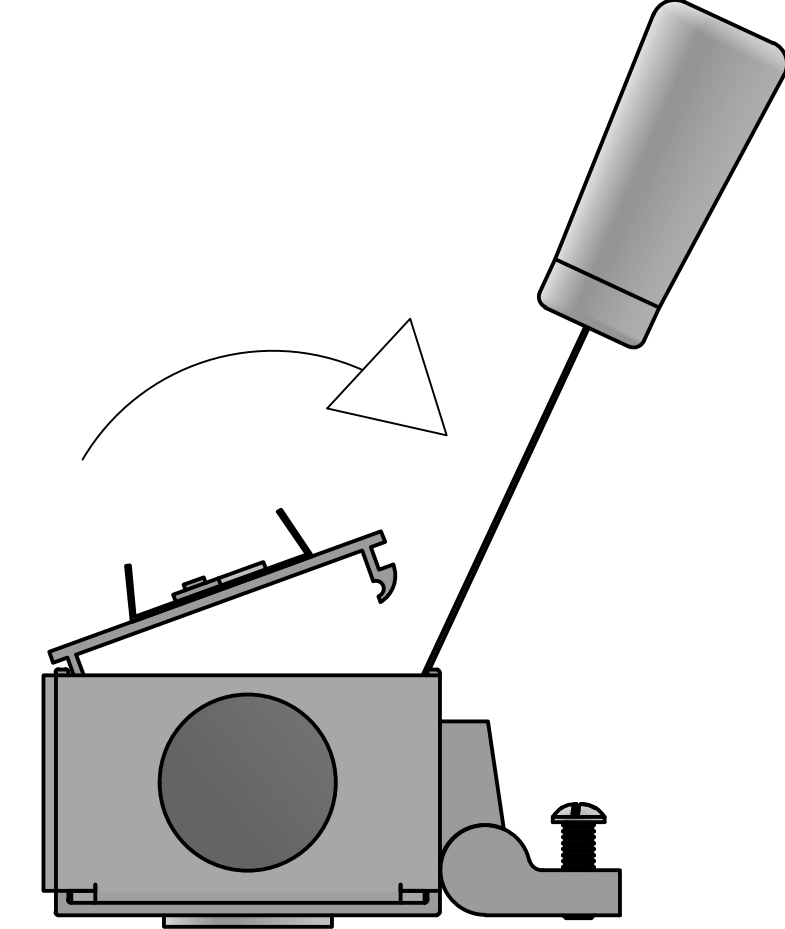
locate the base into the desired mounting position

Secure the fixture using #6 screws through the mounting tabs on the side of the fixture

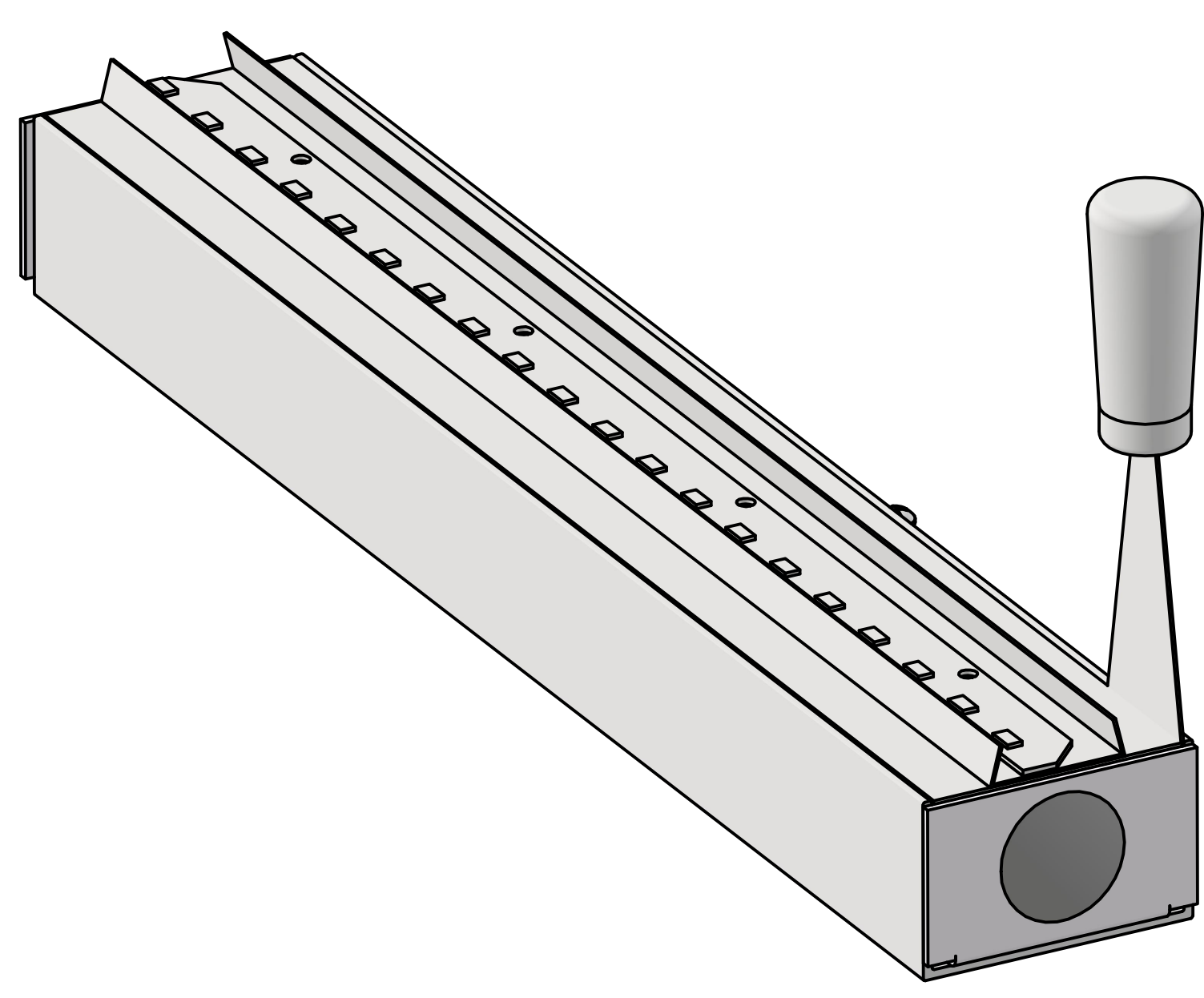
(#6 screws not included)



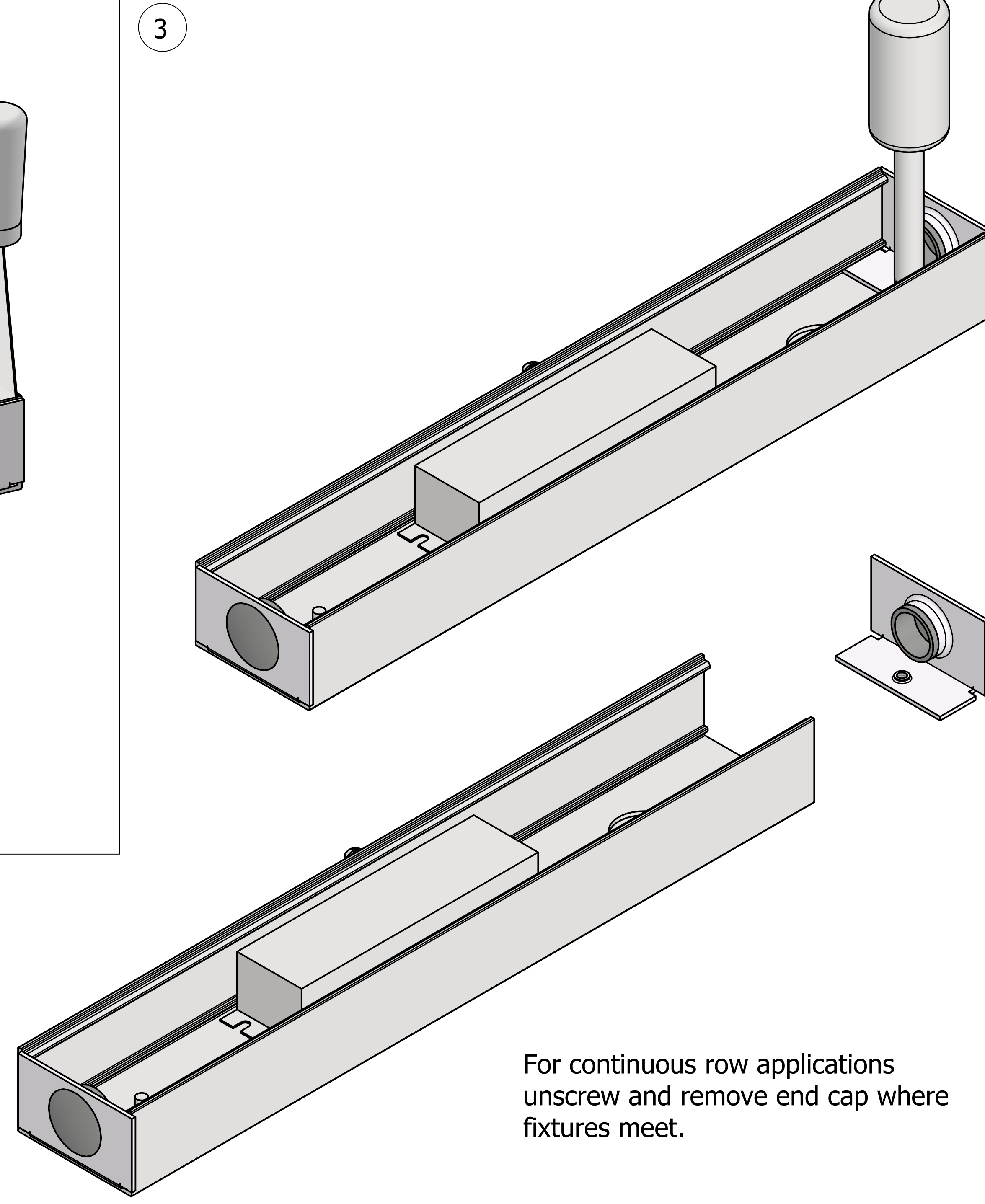
2



To access wiring and driver compartment use a putty knife or a flat bladed screwdriver to pry open cover from the seam where the base meets the cover



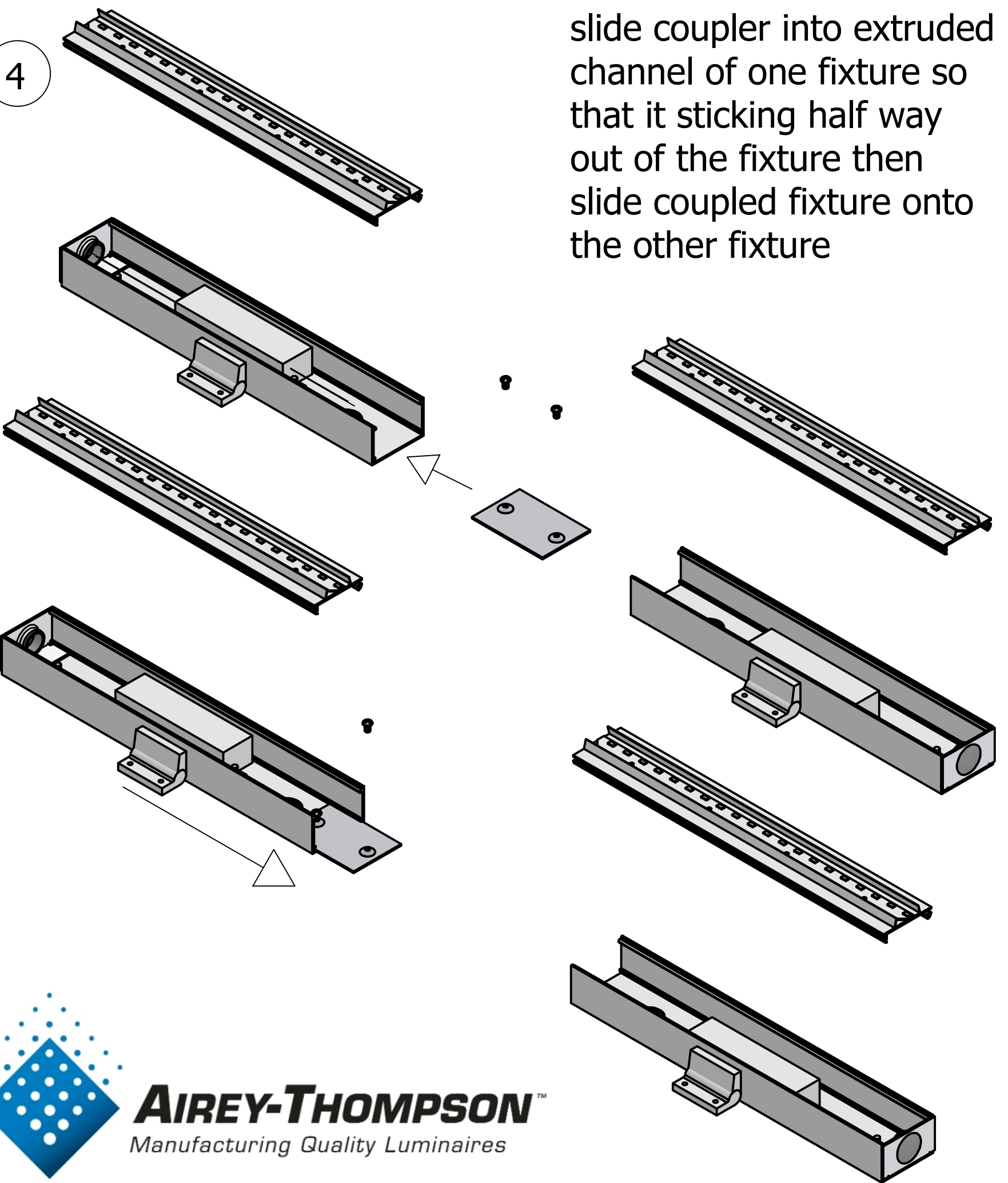
3



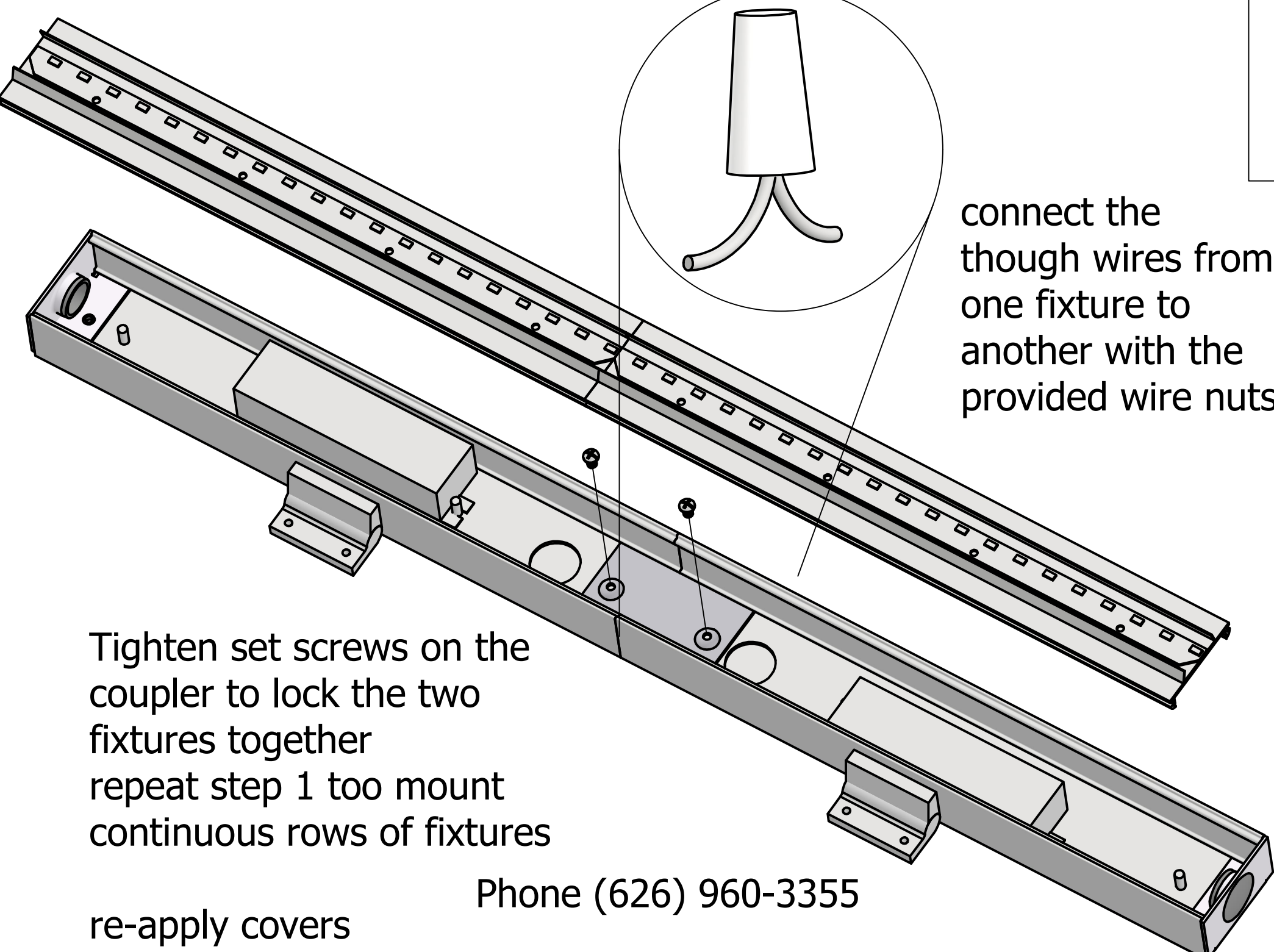
For continuous row applications unscrew and remove end cap where fixtures meet.

4

slide coupler into extruded channel of one fixture so that it sticking half way out of the fixture then slide coupled fixture onto the other fixture



5



Tighten set screws on the coupler to lock the two fixtures together repeat step 1 too mount continuous rows of fixtures

re-apply covers

Phone (626) 960-3355

6

