

FCF Platinum Marine Air Conditioner Series

Installation / Operation Manual

Models:

FCF 6,000 BTU (115V & 230V)

FCF 10,000 BTU (115V & 230V)

FCF 12,000 BTU (115V & 230V)

FCF 16,000 BTU (115V & 230V)

FCF 20,000 BTU (230V)

FCF 24,000 BTU (230V)

For proper installation and operation, please read all instructions carefully. Please be aware of the following items:

- (1) If this unit fails to operate normally, please contact a Webasto Authorized Dealer as soon as possible and provide the following information:
 - Content on the nameplate (serial number, model number, and cooling capacity).
 - Vessel Information (year, make, model, hull ID)
 - Malfunction details (before and after the malfunction occurs).
- (2) ALWAYS follow Webasto installation and repair instructions and heed all WARNINGS.
- (3) Webasto rejects any liability for problems and damage caused by the system being installed by untrained personnel.
- (4) Webasto cooling systems require qualified and/or professional installation and repair technicians. Warranty shall be void if not installed by a certified or trained installer/repair technician who has successfully completed the factory training course for installation and repair of Webasto cooling systems, and has been provided with the technical information, tools and equipment required to properly complete the necessary installation/repairs.
- (5) Improper installation or installation by untrained personnel voids all warranties on this product.

Contents

1 SAFETY PRECAUTIONS.....	5
2 INTRODUCTION	5
3 OVERVIEW.....	6
3.1 OUTLINE DRAWING	6
3.2 HOW IT WORKS	6
3.3 OUTLINE DIMENSIONS	7
4 INSTALLATION	8
4.1 UNPACKING AND INSPECTION	8
4.2 SAFETY CONSIDERATIONS	8
4.3 THE SIZE OF SEALED ROOM	9
4.4 PLACEMENT OF SYSTEM	9
4.5 CONDENSATE DRAINS.....	10
4.6 BLOWER ASSEMBLY	11
4.7 MOUNTING BRACKETS.....	11
4.8 SUPPLY & RETURN AIR GRILLES AND TRANSITION BOXES	11
4.9 DUCTING	11
4.10 SEAWATER PUMP AND PLUMBING	12
4.11 ELECTRICAL CONNECTIONS, GROUNDING AND BONDING	13
4.12 MANUAL CONTROLLER INSTALLATION	14
4.13 ELECTRIC BOX INSTALLATION	15
4.13.1 (6K, 10K, 12K, 16K)	15
4.14 INSTALLATION CHECKLIST (REVIEW PRIOR TO INSTALLATION)	17
4.15 WIRING DIAGRAMS	18
5 OPERATION	22
5.1 MANUAL CONTROLLER OPERATION	22
5.2 POWER ON/OFF.....	23
5.3 FAN CONTROL	23
5.4 TEMPERATURE SETTING	23
5.5 MODE SETTING	23
5.6 DISPLAY FAHRENHEIT OR CENTIGRADE.....	23
5.7 ERROR CODES	24
5.8 KEY LOCK.....	24
5.9 CHECKING VOLTAGE FUNCTION.....	24
5.11 AUTO –OFF FUNCTION OF THE MANUAL CONTROLLER.....	25
6 ACCESSORIES.....	25
7 TROUBLESHOOTING	26
8 MAINTENANCE	28
8.1 REVERSING VALVES.....	28
8.2 SEAWATER STRAINER	28
8.3 BLOWERS	28
8.4 CONDENSER COIL CLEANING.....	28
8.5 RETURN AIR FILTERS	29
8.6 WINTERIZATION	29
8.7 LIMITED WARRANTY.....	29

1 Safety Precautions



Means items that must be forbidden! Otherwise, it may lead to personal injury or death or serious damage.



Means items that must be followed! Otherwise, it may lead to personal injury or property loss.

2 Introduction

Thank you for your purchase. No matter which of the following features was the reason for your purchase, we are sure it will meet your needs and give many years of efficient and trouble free use. Those marine air conditioners are designed for marine applications incorporating the following features:

- 1) Compact design
- 2) High efficiency rotary compressors (6-24K)
- 3) Cupronickel condenser coil
- 4) Raised lance fin designed evaporator coil
- 5) Polyester coated 2" (50mm) deep drain pan with two condensate drain locations
- 6) Anti-vibration base pan
- 7) Pre-charged and pre-wired systems for easy connections
- 8) 3-speed fan motor. This eliminates all harmonic sounds and rumbles.
- 9) Rotatable blower assembly

The controller offers the most technologically advanced design specifically made for the unique requirements of marine air conditioning. The controller has been designed with the following "user friendly" features:

- 1) Non-volatile memory
- 2) Low voltage display panel
- 3) LED cabin temperature displayed in Fahrenheit or Celsius
- 4) Multiple fan speed selections
- 5) Compressor pressure fail safe protection
- 6) Moisture mode cycle for humidity control

This manual is intended to provide the information necessary to ensure proper installation, operation, and maintenance of the unit. Improper installation can result in unsatisfactory performance and/or premature failure of these units. Before proceeding, please read this manual completely. In the interest of product improvement, specifications and design are subject to change without prior notice.

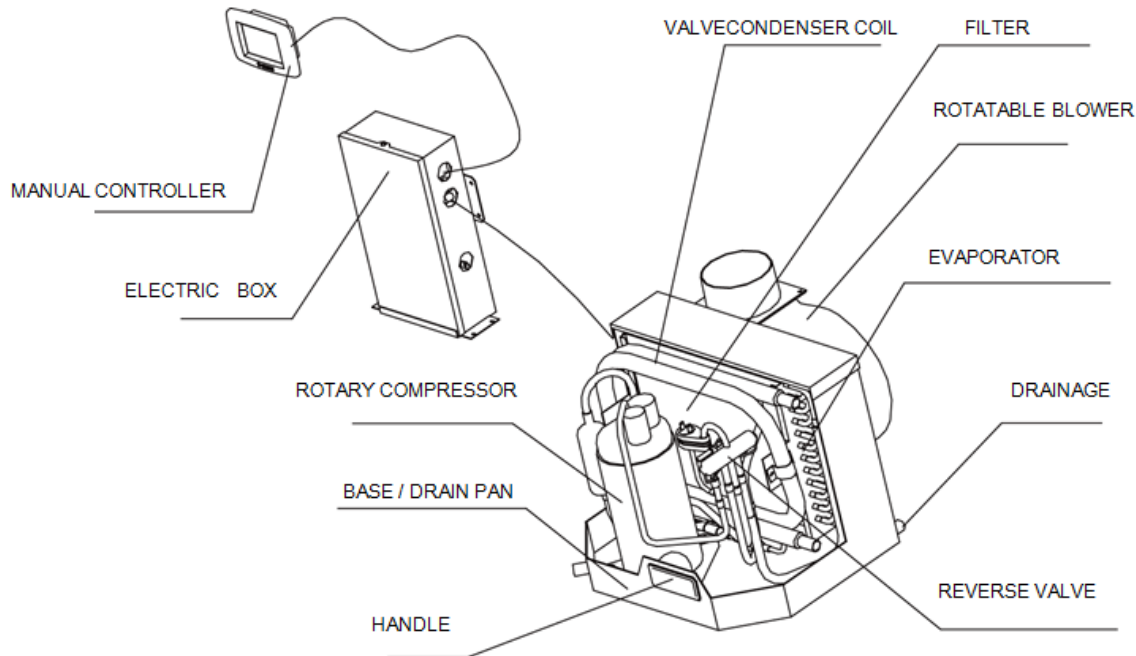
This appliance is not intended for use by persons (including children) with reduced physical, sensory or mental capabilities, or lack of experience and knowledge, unless they have been given supervision or instruction concerning use of the appliance by a person responsible for their safety.



Children should be supervised to ensure that they do not play with the appliance. This product must not be disposed together with the domestic waste. This product has to be disposed at an authorized place for recycling of electrical and electronic appliances.

3 Overview

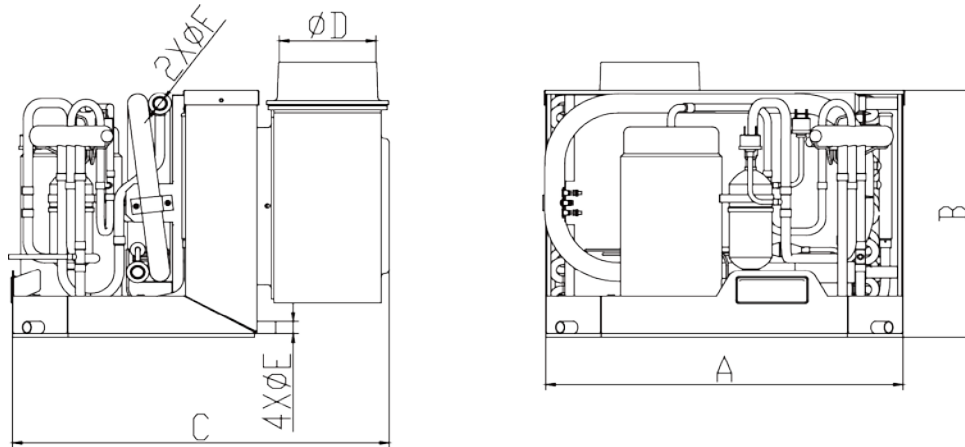
3.1 Outline Drawing



3.2 How It Works

Your self-contained air conditioner consists of four main components and a refrigerant gas circulating through the system. The BLOWER draws warm cabin air across the fins on the EVAPORATOR where the heat from the air is transferred to the refrigerant in the evaporator coil. As the refrigerant evaporated from a liquid into a gas, it absorbs the heat from the cabin air. The COMPRESSOR then compresses the refrigerant gas and pumps it through the outer tube in the CONDENSER COIL. The seawater pump circulates cool seawater through the inner tube in the condenser coil; this cools the refrigerant and condenses it into a liquid. The heat from the refrigerant is exchanged to the seawater and discharged overboard. The liquid refrigerant is then passed through the EVAPORATOR COIL and the cycle repeats; removing heat from the cabin air lowering its temperature. The cooled air is blown through the ducting and out the supply air grille(s). For reverse cycle heating, the refrigerant flows in the opposite direction through the reversing valve. Heat is transferred from the seawater in the condenser coil to the refrigerant and then to the air blowing through the evaporator into the cabin. Seawater temperature will directly affect the A/C's efficiency. This A/C can effectively cool your boat in water temperatures up to 90°F and heat in water temperatures as low as 40°F.

3.3 Outline Dimensions



Units: mm

	A	B	C	D	E	F
FCF 6,000 BTU 115V	285	295	408	91.5	16	19
FCF 6,000 BTU 230V						
FCF 10,000 BTU 115V	380	310				
FCF 10,000 BTU 230V						
FCF 12,000 BTU 115V	549	330	320	119.4		
FCF 12,000 BTU 230V						
FCF 16,000 BTU 115V	619		343			
FCF 16,000 BTU 230V						
FCF 20,000 BTU 230V	529	386	595			
FCF 24,000 BTU 230V						

4 Installation

4.1 Unpacking and Inspection

When the equipment is received, all items should be carefully checked according to the packing list to ensure all cartons have been received. Move units in the normal "up" orientation as indicated by the arrows on each carton. Examine cartons for shipping damage, removing the units from the cartons if necessary. If the unit is damaged, the carrier should make the proper notation on the delivery receipt acknowledging the damage.

4.2 Safety Considerations

VERY IMPORTANT: Never install your air conditioner in the bilge or engine room areas. Ensure that the selected location is sealed from direct access to bilge and/or engine room vapors. Do not terminate condensate drain line within 3' (914mm) of any outlet of engine, generator exhaust system, compartment housing an engine or generator, or in a bilge, unless the drain is connected properly to a sealed condensate or shower sump pump. Seal all cabin sole penetrations around condensate hoses to eliminate harmful bilge fumes in the cabin living spaces.

Installation and servicing of this system can be hazardous due to system pressure and electrical components. When working on this equipment, always observe precautions described in the literature, tags and labels attached to the unit. Follow all safety precautions. Wear safety glasses and work gloves and place a fire extinguisher close to the work area. The following is a summary of the labels on the unit:



DANGER:

Electrical shock hazard. Disconnect voltage at main panel or power source before opening any cover. Failure to comply may result in injury or death.



WARNING:

This component does not meet federal requirements for ignition protection. Do not install in spaces containing gasoline engines, tanks, LPG/CPG cylinders, regulators, valves or fuel line fittings. Failure to comply may result in injury or death.



NOTICE:

This component is charged with Hydro chlorofluorocarbon (Hydro fluorocarbon) refrigerant R410A. Effective July 1, 1992, it shall be unlawful for any person to knowingly vent or otherwise knowingly release any class 1 (CFC) or class 2 (H CFC) substance as a refrigerant in a manner which permits such substance to enter the atmosphere per the clean air act of 1990. Public law 101-549 title IV section 608-c. Failure to comply may result in severe penalties, including fines and imprisonment.

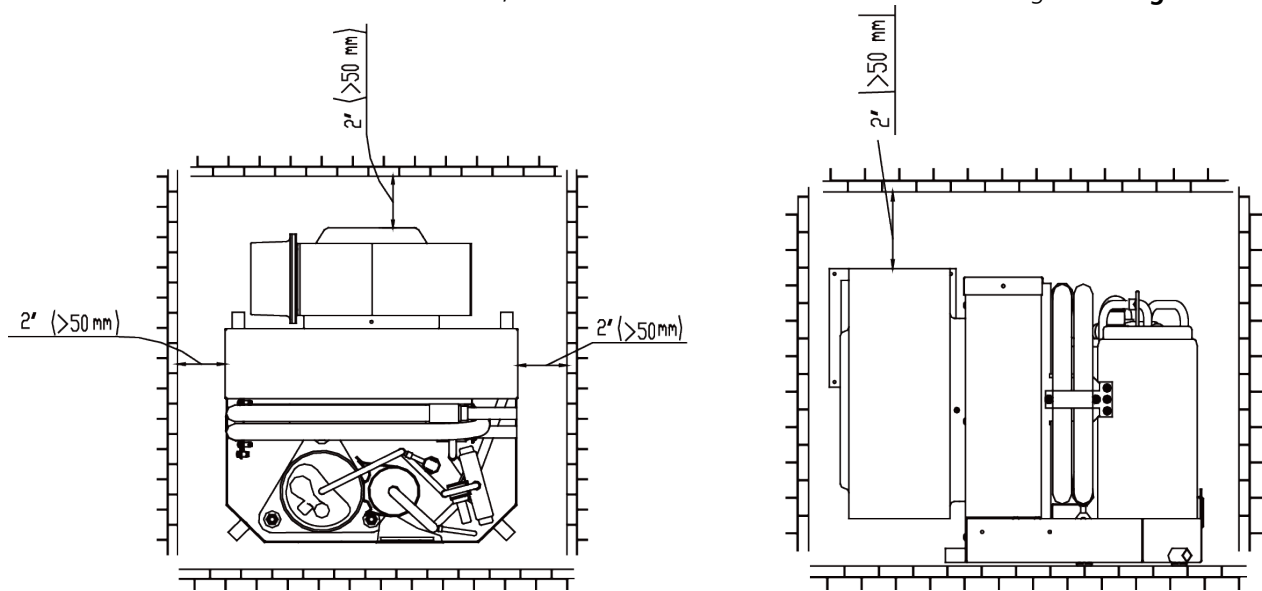


CAUTION:

To minimize the hazard of electrical shock and personal injury, this component must be effectively grounded. Refer to the installation guidelines for further information. Caution! High compressor temperature is normal. Do not touch!

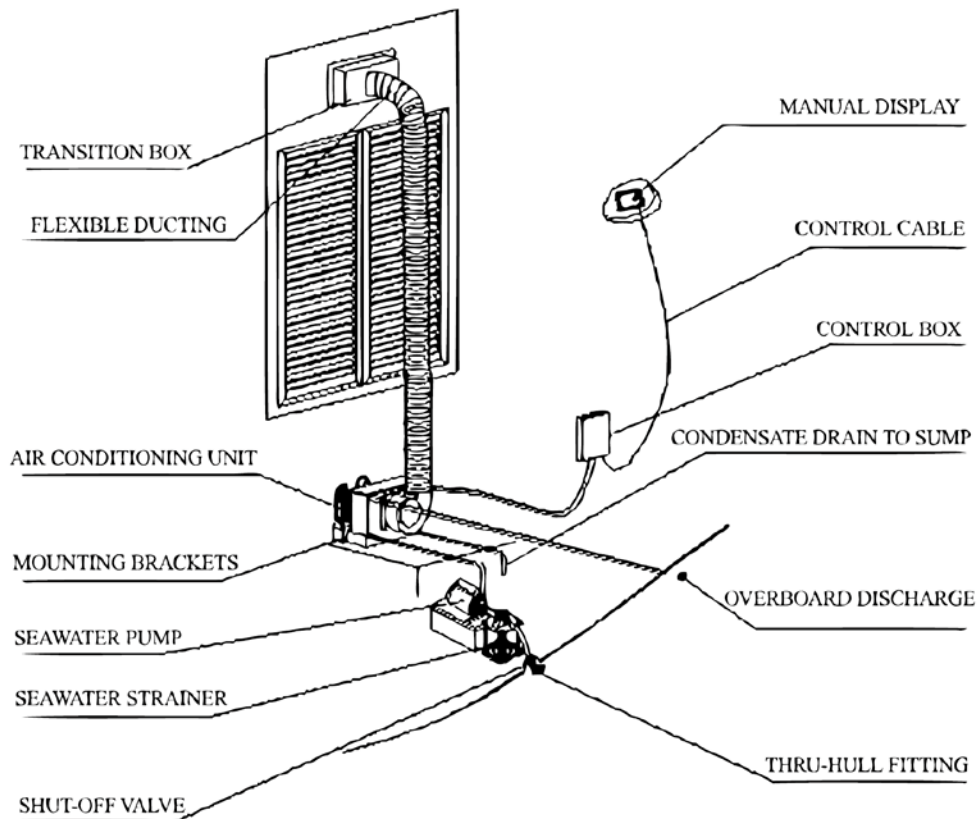
4.3 The size of sealed room

The size of sealed room should not be too small; otherwise it will affect the unit normal running. **See diagram below.**



4.4 Placement of System

Selecting a good location for your air conditioner is the most important part of your preparation. Be sure to consider the size of the area you are cooling, the air distribution needs, and the size of the unit you have chosen. Keeping in mind that cool air has a tendency to fall; it is highly recommended that you locate the supply air grille as high as possible in the cabin. Don't leave the flexible ducting too long; otherwise it will lower the efficiency of the unit. See diagram below.



The unit should be installed as low as possible, BUT NEVER IN THE BILGE OR ENGINE ROOM AREAS, ENSURE THAT THE SELECTED LOCATION IS SEALED FROM DIRECT ACCESS TO BILGE AND/OR ENGINE ROOM VAPORS. Installing the unit as low as possible (such as under a V-berth, dinette seat or bottom of a locker) and ducting the supply air as high as possible, creates an ideal airflow condition. This type of installation will prevent short or premature cycling.

The unit should be positioned on a firm, level, horizontal surface and the condensate drain line should run downward from the unit to a suitable drain location. Plan all Connections, which must be made including ducting, condensate drain, and seawater in and out, electrical power connections, location of control, and seawater pump placement, to assure easy access for routing and servicing.

4.5 Condensate Drains

The condensate drain pan is 2" (50mm) high with four drain locations. During conditions of high humidity, condensate may be produced at a rate of approximately 1/2 gallon per hour (1.9 liters per hour). Please pay more attention, it is important to route condensate drains downward to a sump pump. It is not recommended to route condensate drains to the bilge. After the condensate drain installation is complete, test the installation by pouring water into the pan and checking for good flow.

For installation of the condensate drain:

- ◆ Attach a 5/8" I.D. reinforced hose to the hose barb and secure with stainless steel hose clamps.
- ◆ Install the condensate drain hose downhill from the unit and aft to a sump.
- ◆ Up to 4 drain fittings may be used and the two hoses (teed) together using a tee fitting provided there is a minimum 2" drop from the bottom of the base pan to the tee connection.

Tools required:

- ◆ Screws drivers
- ◆ Pliers
- ◆ Pipe wrench
- ◆ Wire cutters/crimpers
- ◆ Drill bit set
- ◆ Jigsaw
- ◆ Duct tape
- ◆ Electrical tape
- ◆ Teflon tape
- ◆ Compound Sealant for thru hull fittings
- ◆ Hardware to secure unit, pump, strainer, grilles & control panel



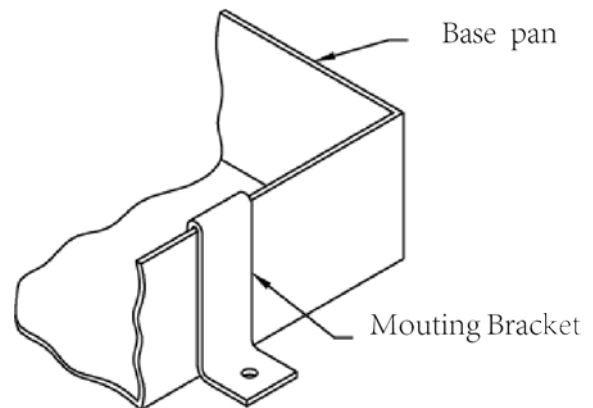
Do not terminate condensate drain line within three 3' (914mm) of any outlet of engine, generator exhaust systems, compartment housing an engine or generator, nor in a bilge, unless the drain is connected properly to a sealed condensate or shower sump pump. Seal all condensate hose penetrations.

4.6 Blower Assembly

You can achieve multi-directional supply air discharge from a single unit by rotating the blower to the desired position. It is ideal for tight installations as 180° of rotation is available with which to position the blower. Its advanced design allows the blower to be easily removed for rotating or servicing by removing 4 screws. Rotate the blower to allow the most direct flow of air to the supply air grille.

4.7 Mounting Brackets

The A/C unit is supplied with a base pan that also serves as a condensate pan. Mounting clip brackets (4) are provided to secure the base pan to a flat, horizontal surface.



4.8 Supply & Return Air Grilles and Transition Boxes

Install the supply air grille as high as possible in a location that will provide uniform air distribution throughout the cabin. Grille louvers should be directed upward. The return air grille should be installed as low and close to the A/C as possible to insure direct uninterrupted airflow to the evaporator. The return air grille should have a minimum four inches (4') of clearance in front of it, free from any furniture or other obstructions. In no instance should a supply air discharge be directed towards a return air grille, as this will cause the system to short cycle. Allow for adequate clearance behind the supply air grille(s) for the transition box and ducting connection. See the Maintenance section of this manual for return air filter cleaning instructions.

Model	6K	10K	12K	16K	20K	24K
Min. Return Air Grilles Size (re.)	75in ² (48500mm ²)	100in ² (65680mm ²)	105in ² (76514mm ²)	160in ² (103584mm ²)	240in ² (153028mm ²)	240in ² (153028mm ²)

4.9 Ducting

Good airflow is critical for the performance of the entire system. The static pressure should not exceed 100 Pa. It is highly dependent on the quality of the ducting installation. The ducting should be run as straight, smooth and taut as possible minimizing the number of 90 degree bends (two tight 90° bends can reduce airflow by 25%). If a transition box is used, the total area of supply air ducts going out of the box should at least equal the area of the supply duct feeding the box. To calculate the square inch area of a round duct, multiply the radius by itself (r²) and multiply that number by 3.1416(π). The following is a summary of proper ducting connections:

- 1) Pull back the fiberglass insulation exposing the inner Mylar duct hose.
- 2) Slide the Mylar duct hose around the mount ring until it bottoms out.
- 3) Screw 3 or 4 stainless steel sheet metal screws through the duct hose into the transition ring. Make sure to catch the wire in the duct hose with the heads of the screws. Use finish washers with the screws if necessary. Do not use band clamps, as the hose will slide off.
- 4) Wrap duct tape around the ducting and ring joint to prevent any air leaks.
- 5) Pull the insulation back up over the Mylar to the ring and tape this joint.
- 6) Remove excess ducting and use the same connection method at the supply air grille.

All ducting should:

- ◆ Be appropriately sized for each application.
- ◆ Run as smoothly and taut as possible.
- ◆ Have as few bends or loops as possible.
- ◆ Be securely fastened to prevent sagging or chafing during vessel operation.
- ◆ Have all excess ducting lengths trimmed off.
- ◆ Not be flattened or kinked.
- ◆ Insulated when located in high heat load areas (hull side, mechanical compartments, etc.).
- ◆ Be properly protected against potential damage when routed through open areas or bulkheads.

4.10 Seawater Pump and Plumbing

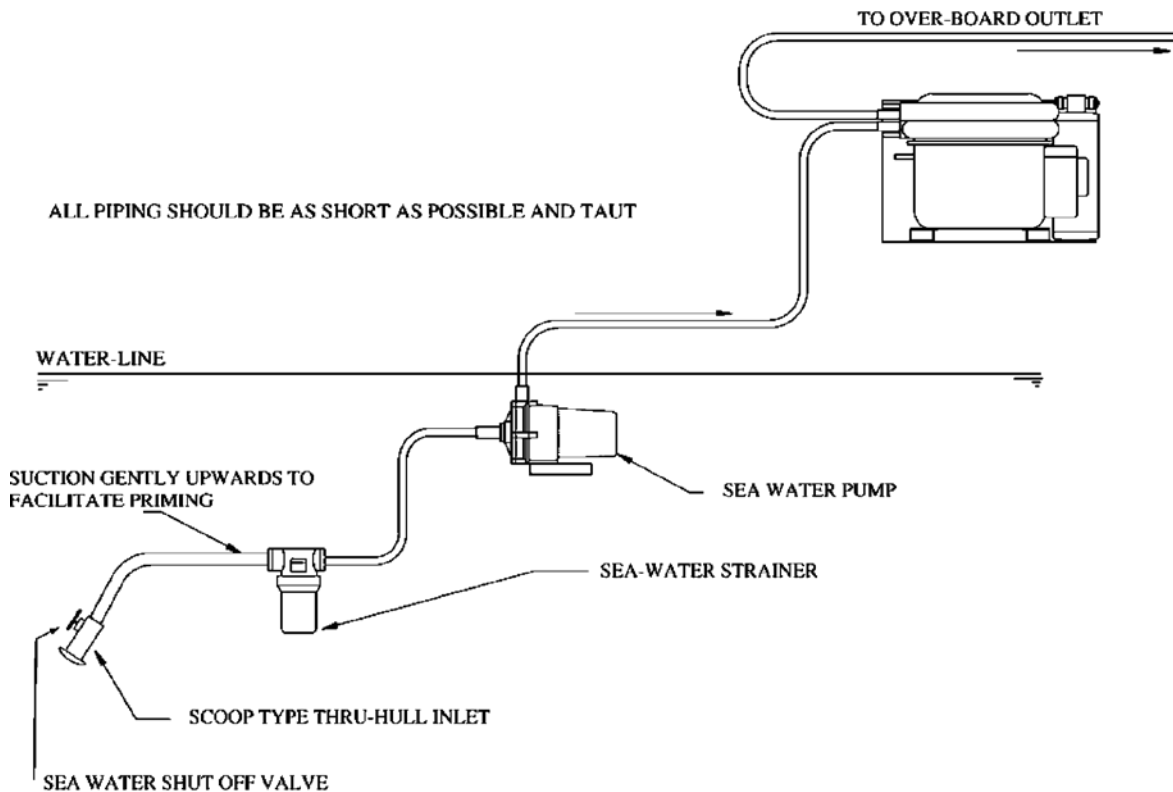
Several guidelines should be followed during the installation of the seawater system. Since the circulation pump is centrifugal and not self-priming, it must be mounted so that it is always at least 1' (305mm) below the water line regardless of which tack the vessel is on. Pump may be mounted horizontally or vertically, however, the discharge must always be above the inlet. Pump head should be rotated toward the direction of water flow. **Install the seawater speed scoop intake as far below the water line and as close to the keel as possible in any application, but especially on a sailboat, to keep the intake in the water when the boat heels over so that air does not get into the system.** The speed scoop intake must face forward and not be shared with any other pump. A seawater strainer is mandatory between the shut off valve (seacock) and the pump to protect the pump from any foreign matter. Failure to install a seawater strainer will void the pump warranty. The seawater system should be installed with an upward incline from the speed scoop & seacock, through the strainer, to the inlet of the pump, next to the inlet of the A/C unit's condenser coil. The discharge from the A/C unit should run to the seawater outlet thru-hull fitting that should be located where it can be visually inspected for water flow as close to the waterline to reduce noise. All hose connections shall be secured using double/reversed stainless steel hose clamps. Use Teflon tape on all threaded connections.

Summary of the seawater system installation:

- 1) Install the speed scoop thru-hull inlet as close to the keel and as far below the water line as possible, facing forward. Bed the scoop with a marine sealant designed for underwater use.
- 2) Install a bronze, full flow seacock on the speed scoop thru-hull inlet.
- 3) Install a seawater strainer below the level of the pump with access to filter.
- 4) Mount the pump above the strainer and at least 1' (305mm) below the waterline.
- 5) Connect the seacock and strainer with an uphill run of reinforced marine grade hose.
- 6) Connect the discharge from the pump uphill to the bottom inlet of the A/C unit's condenser coil with reinforced marine grade hose. Connect the discharge from the condenser coil to the overboard discharge thru-hull fitting with 3/4" hose.
- 7) Avoid loops, high spots or the use of 90° elbows with seawater hose (each 90° elbow is equivalent to 2.5' (762mm) of hose and a 90° elbow on the pump outlet is equivalent to 20' (6.1m) of hose).
- 8) Double clamp all hose connections with stainless steel clamps, reversing the clamps.
- 9) Use Teflon tape on all threaded connections.
- 10) Connect all metallic parts in contact with seawater to the vessel's bonding system including the speed scoop inlet, strainer, pump and the air conditioner. Failure to do so will void warranty.

Seawater Flow:

Model	6K	10K	12K	16K	20K	24K
Min. Seawater Flow	1.1gal/min (4.0L/min)	1.6gal/min (6.0L/min)	2.8gal/min (10.5L/min)	2.9gal/min (11.0L/min)	5.3gal/min (20 L/min)	6.3gal/min (24.0L/min)
Max. Seawater Flow	2.6gal/min (10.0L/min)	4.0gal/min (15.0L/min)	5.3gal/min (20.0L/min)	6.6gal/min (25.0L/min)	8.5gal/min (32 L/min)	9.8gal/min (37.0L/min)
Rated Seawater Flow	1.6gal/min (6.0L/min)	2.4gal/min (9.0L/min)	3.7gal/min (14.0L/min)	4.2gal/min (16.0L/min)	6.1gal/min (23 L/min)	7.4gal/min (28.0L/min)



4.11 Electrical Connections, Grounding and Bonding

All A/C units have a terminal strip mounted inside the electric box. The terminal strip is labeled for proper connections of the electrical supply, ground wires and pump circuits. A wiring diagram is provided in the electrical box and later in this manual. The wiring diagram in the electrical box supersedes any found in this manual and ABYC standards. The correct size circuit breaker should be used to protect the system as specified on the A/C unit's data plate label. A minimum of 12 AWG boat cable should be used to supply power to the A/C unit and the seawater pump. All connections shall be made with ring or fork terminals. **Turn off A/C power supply circuit breaker before opening electric box.**

Each A/C installed requires its own dedicated circuit breaker. If there is only one A/C installed, the seawater pump does not require a circuit breaker; the wiring from the seawater pump is connected to the terminal strip in the electric box. If two or more A/C use the same seawater pump, the pump wires will be connected to a pump relay. Please refer to the wiring diagram. Electrical connections in the bilge and/or below the waterline should use heat shrink type butt splices. Field wiring must comply with ABYC electrical codes. Power to the unit must be within the operating voltage range indicated on the data plate. Properly sized fuses or HACR circuit breakers must be installed for circuit protection. See table below for suggested circuit breaker size. All units must be effectively grounded to minimize the hazard of electrical shock and personal injury. The following can be observed: AC (alternating current) grounding (green wire) must be provided with the AC power conductors and connected to the ground terminal (marked "GRND") at the AC power input terminal block of the unit(s), per ABYC standard E-8, or equivalent.

Fuse Information															
BTU Capacity	6000			10000			12000			16000			24000		
Voltage (V)	115	230	230	115	230	230	115	230	230	115	230	230	115 Soft	230	230
Frequency (Hz)	60	50	60	60	50	60	60	50	60	60	50	60	60	50	60
*Suggest Breaker (A)	15	10	10	15	10	10	20	15	15	**25	20	20	30	25	25

*Slow or Medium Delay **Slow Delay

- 1) Connections between the vessel's A/C system grounding conductor (green wire) and the vessel's DC (Direct Current) negative or bonding system should be made as part of the vessel's wiring, per ABYC standard E-9, or equivalent.
- 2) When servicing or replacing existing equipment that contains a chassis-mounted ground stud, the installer must check the vessel's wiring for the existence of the connection required in item 1 above.

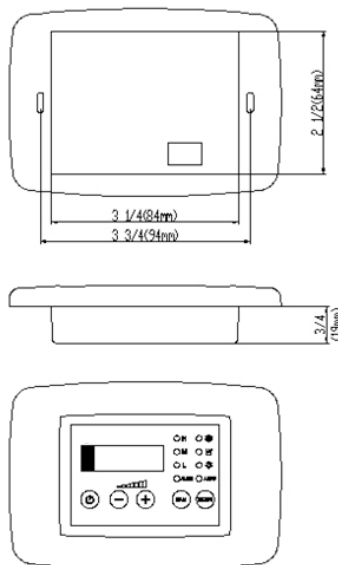


The A/C unit must be connected to the ship's bonding system to prevent corrosion due to stray electrical current or voltage. All pumps, metallic valves and fittings in the seawater circuit that are isolated from the A/C unit by PVC or rubber hoses must be individually bonded to the vessels bonding system also. This will help eliminate any possibility of corrosion due to stray current or voltage.

3) Phase Notice

It is extremely important to ensure that wiring and phase sequencing of a three-phase power source is correct. Marine wiring standards call for power source phases L1, L2, and L3 to be color-coded BLACK, WHITE, and RED, respectively. These must be connected to the unit with the proper sequence; otherwise, it will not operate properly. If the wiring sequence is incorrect, the unit's compressor (Scroll type only) and pump (if applicable) will run in the reverse direction at a significantly increased noise level.

- 4) Users should avoid putting objects which not reaching v-1 flame retarded rating within an area of 50mm radius from the waterproof connector.



4.12 Manual Controller Installation



DO NOT turn the unit off and immediately turn it back on. Wait at least 30 seconds for refrigerant pressures to stabilize.

Before mounting the manual controller, consider the location. The manual controller should be mounted on an inside wall, slightly higher than mid-height of the cabin. The cut out size for the manual controller is 2 1/2" (64mm) wide by 3 5/16" (84mm). Do not mount the manual controller in direct sunlight, near any heat producing appliances or in a bulkhead where temperatures radiating from behind the panel may affect performance. Do not mount the manual controller in the supply air stream. Do not mount the manual controller above or below a supply or return air grille. Do not mount the manual controller behind a door, in a corner, under a stairwell or any place where there is no freely circulating air. Mount the manual controller within display cable length (longer cable available) of the air conditioner. Plug the display cable into the circuit board in the electric box and into the back of the manual controller.

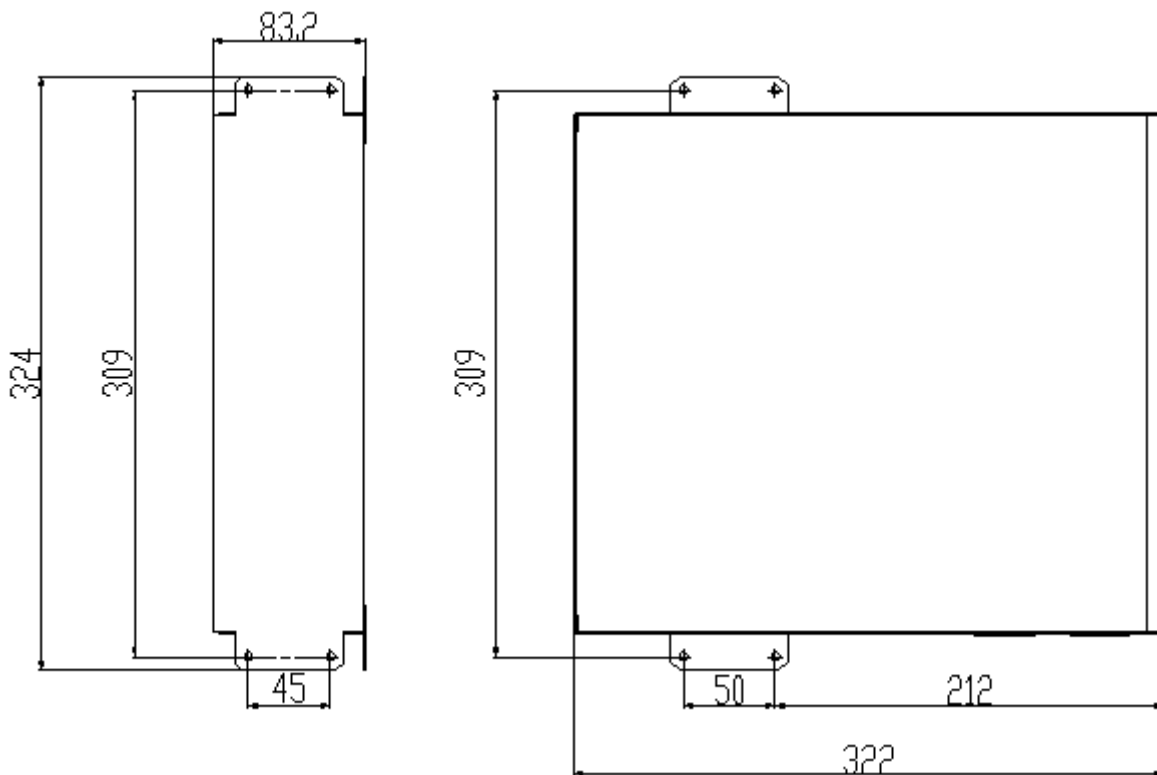
4.13 Electric Box Installation

4.13.1 (6K, 10K, 12K, 16K)

Mount the electric box using four M5 screws.

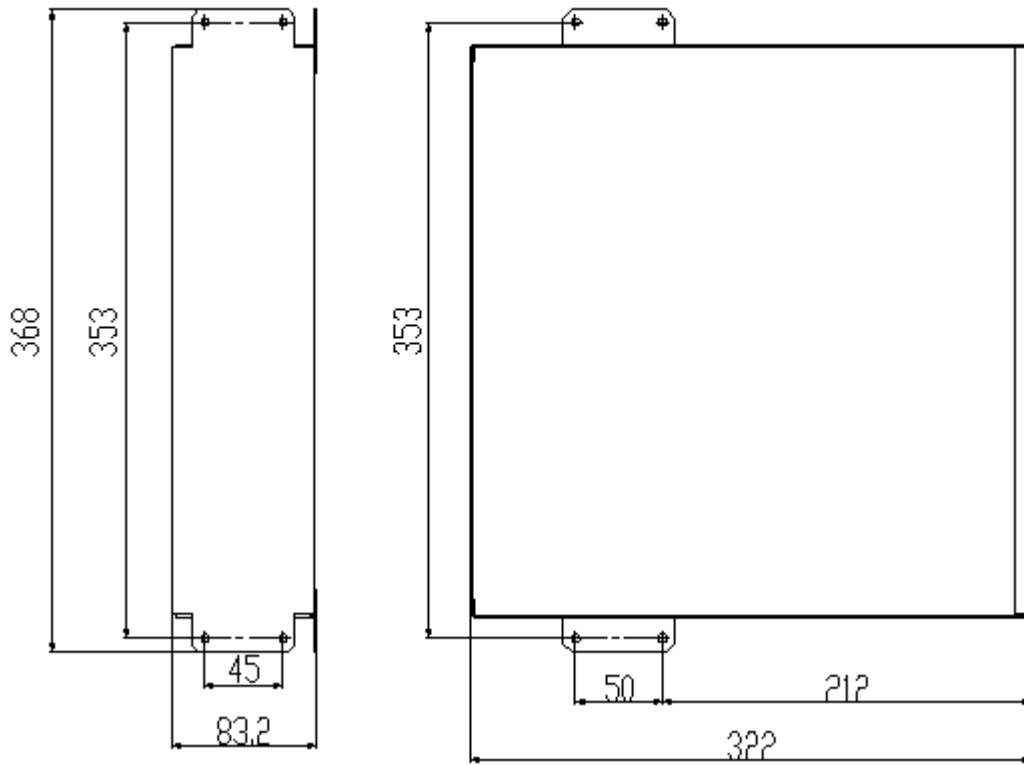
Mount the electric box in a cool dry location and leave plenty of room for maintenance.

Units: mm



4.13.2 (20K, 24K)

Units: mm



4.14 Installation Checklist (Review Prior To Installation)

4.14.1 Seawater cooling system:

- ◆ Speed scoop located as far below the water line and as close to the keel as possible.
- ◆ Shut off valve (sea cock) and speed scoop properly sealed and tightened.
- ◆ Seawater pump is at least 1' (305mm) below water line and securely mounted.
- ◆ Strainer mounted below pump with access to filter.
- ◆ Double/reversed stainless steel hose clamps on all hose connections.
- ◆ Teflon tape on all threaded connections.
- ◆ Hose runs uphill from speed scoop and sea cock to strainer, pump and A/C unit, and then downhill (if possible) from A/C unit to overboard discharge.
- ◆ Water flowing freely from overboard discharge while pump is running.
- ◆ Pump relay panel, if used, must have its own circuit breaker sized for the pump. (20 amp max)
- ◆ All metal fittings should be bonded.

4.14.2 Mounting

- ◆ Not in engine room or bilge area, must be sealed away from exhaust or fumes.
- ◆ Proper spacing allowed around unit.
- ◆ Attached to solid level platform with hold down brackets provided.
- ◆ Condensate drain routed aft and downhill to a sealed sump (not bilge).
- ◆ All penetrations to bilge area sealed.
- ◆ Blower rotated toward supply air grille.

4.14.3 Electrical

- ◆ All butt connections on pumps are tightly crimped and covered with heat shrink.
- ◆ AC power source installed and grounded/bonded in accordance with ABYC standards.
- ◆ Control wires connected to terminal strip with fork or ring terminals.
- ◆ Circuit breakers sized according to specifications on the data plate label.
- ◆ Pump Relay Panel (if used) has a dedicated circuit breaker sized for the pump but not to exceed 20 amps maximum.

4.14.4 Grilles and Ducting

- ◆ Supply air grille mounted as high as possible.
- ◆ Return air grille mounted as low and as close to the A/C unit as possible.
- ◆ Return air grille mounted away from bilge vapors or exhaust fumes.
- ◆ Ducting is pulled taut, straight, smooth and properly connected with no excess.

4.14.5 Quick Start Operations Checklist

- ◆ Ensure seawater intake ball valve (sea cock) is open.
- ◆ Turn on the A/C circuit breaker. If the seawater pump has its own circuit breaker, make sure to turn it on.
- ◆ Turn the system on. Set the desired cabin temperature (set point).
- ◆ Check for a steady solid stream of water from the overboard discharge.
- ◆ Verify that there is steady airflow out of the supply air grille
- ◆ If the unit does not appear to be operating properly, refer to troubleshooting guidelines.



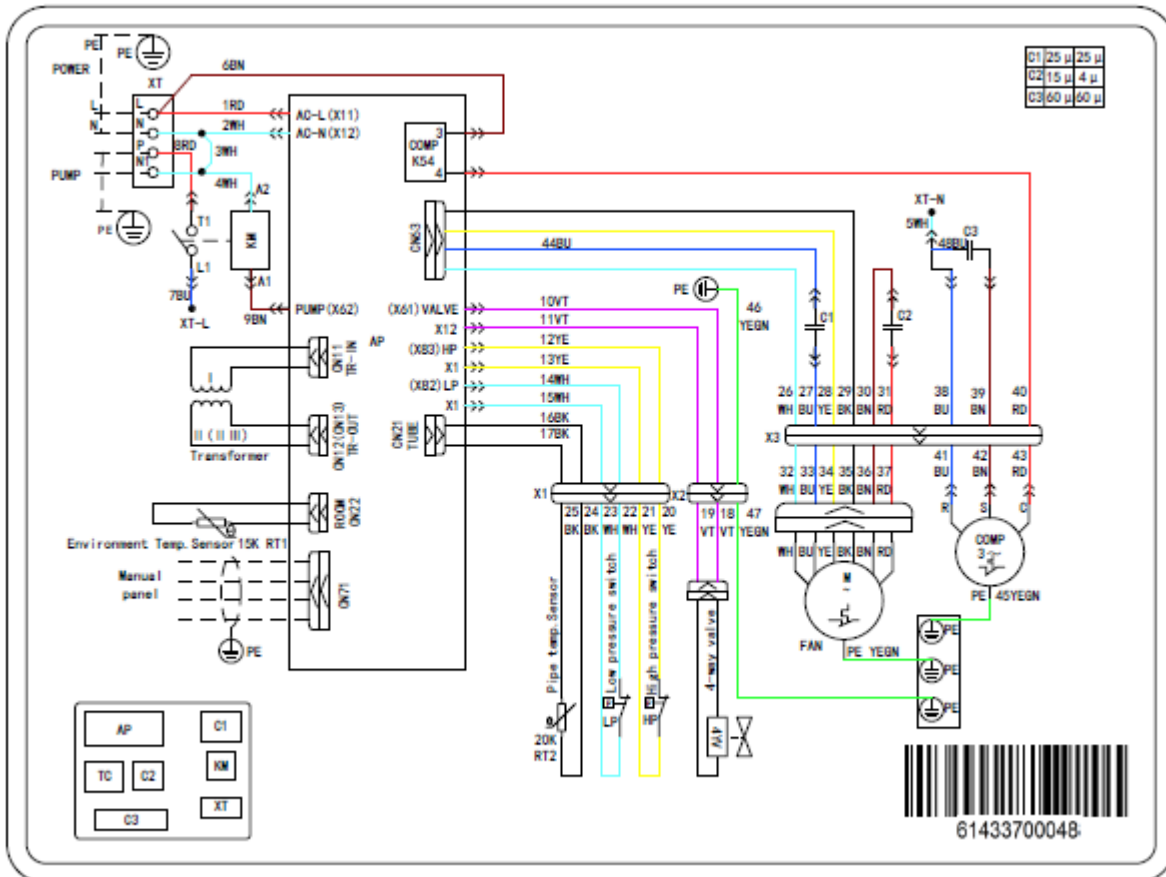
DO NOT turn the unit off and immediately turn it back on. Allow at least 30 seconds for refrigerant pressure equalization.

4.15 Wiring Diagrams

The following electric diagram is for reference only. Please refer to diagram affixed to the unit as the latest version.

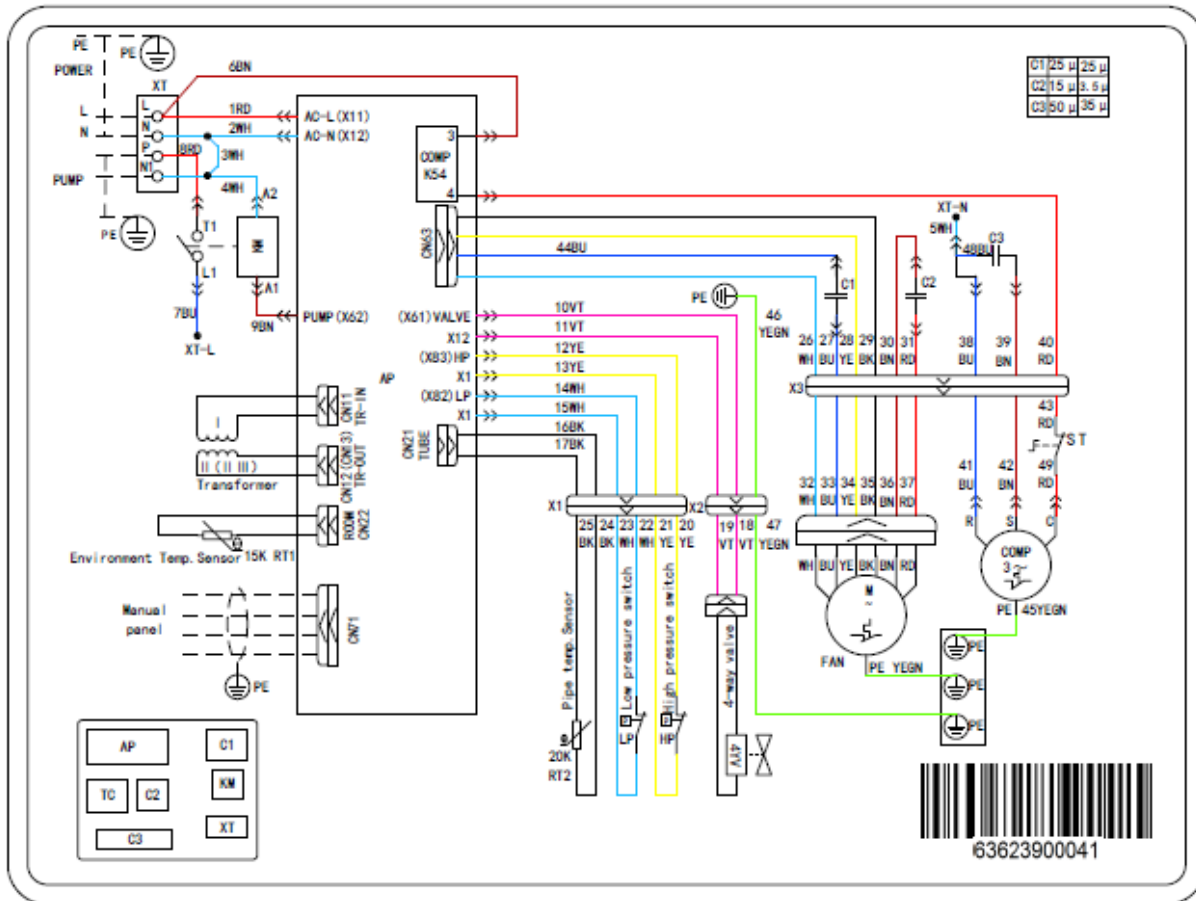
WIRING DIAGRAM: 6K-115V, 6K-230V, 10K-115V, 10K-230V

The specification of power cord is AWG12*3 (3*2.5).



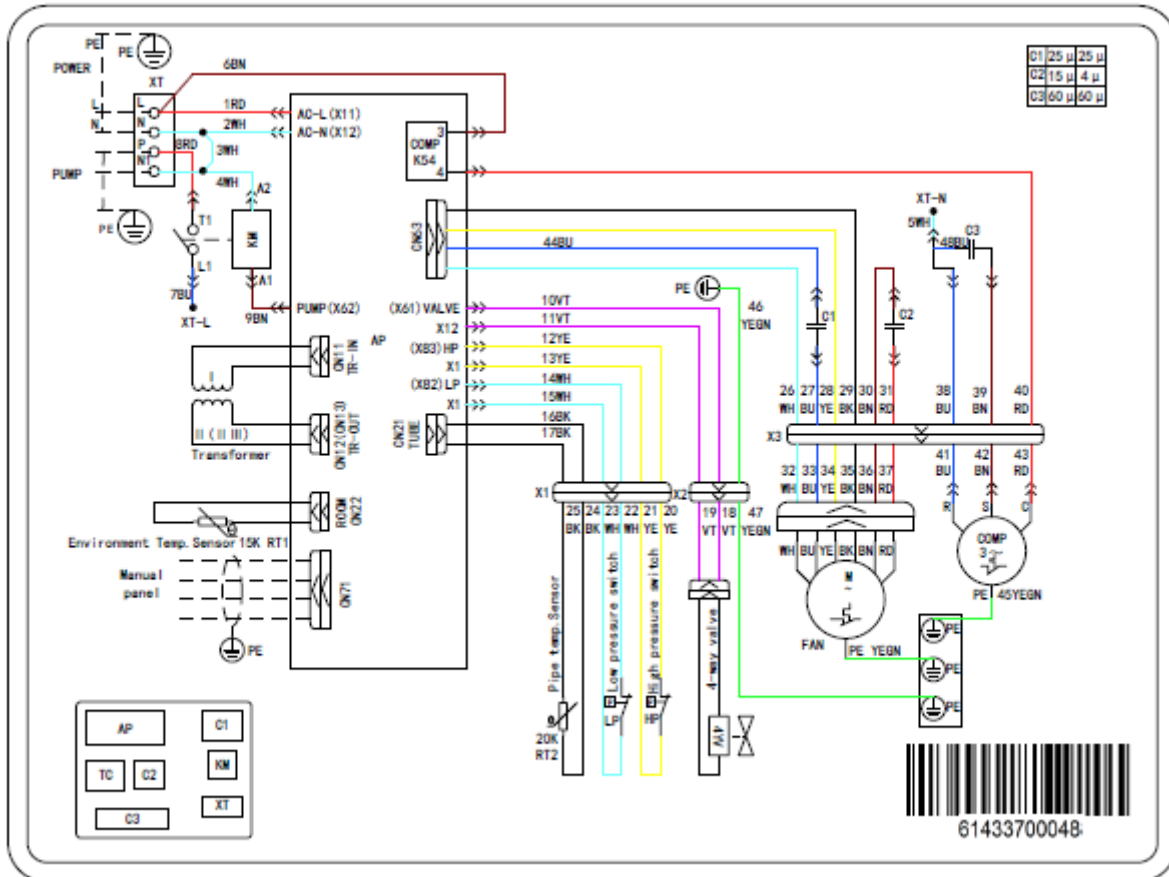
WIRING DIAGRAM: 12K-115V, 12K-230V

The specification of power cord is AWG12*3 (3*2.5).



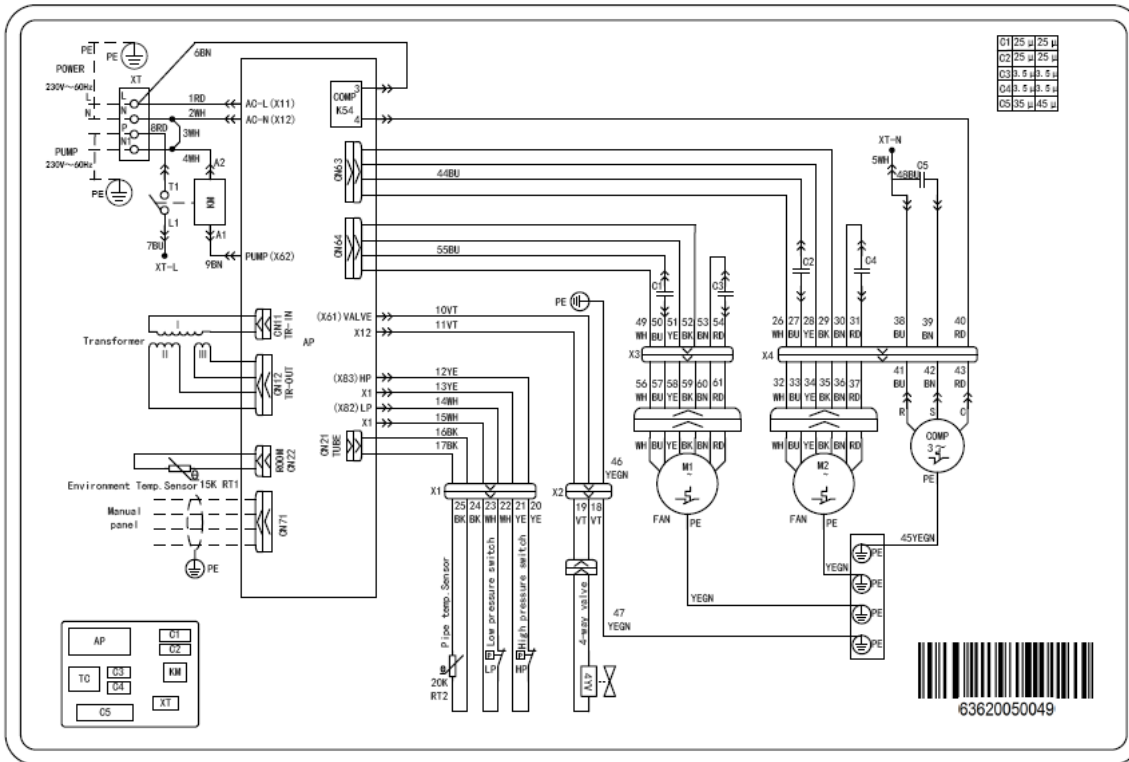
WIRING DIAGRAM: 16K-115V, 16K-230V

The specification of power cord is AWG12*3 (3*2.5).

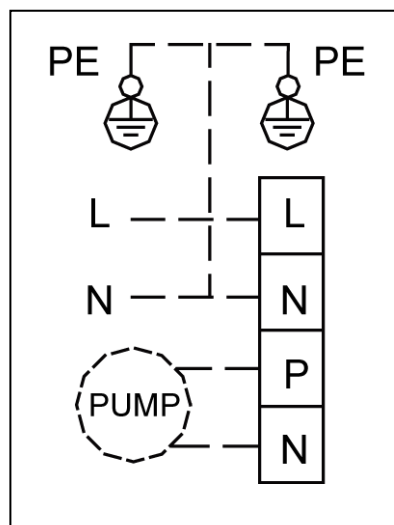


WIRING DIAGRAM: 20K-230V, 24K-230V

The specification of power cord is AWG12*3(3*2.5).



WIRING DIRGRAM / POWER SUPPLY:



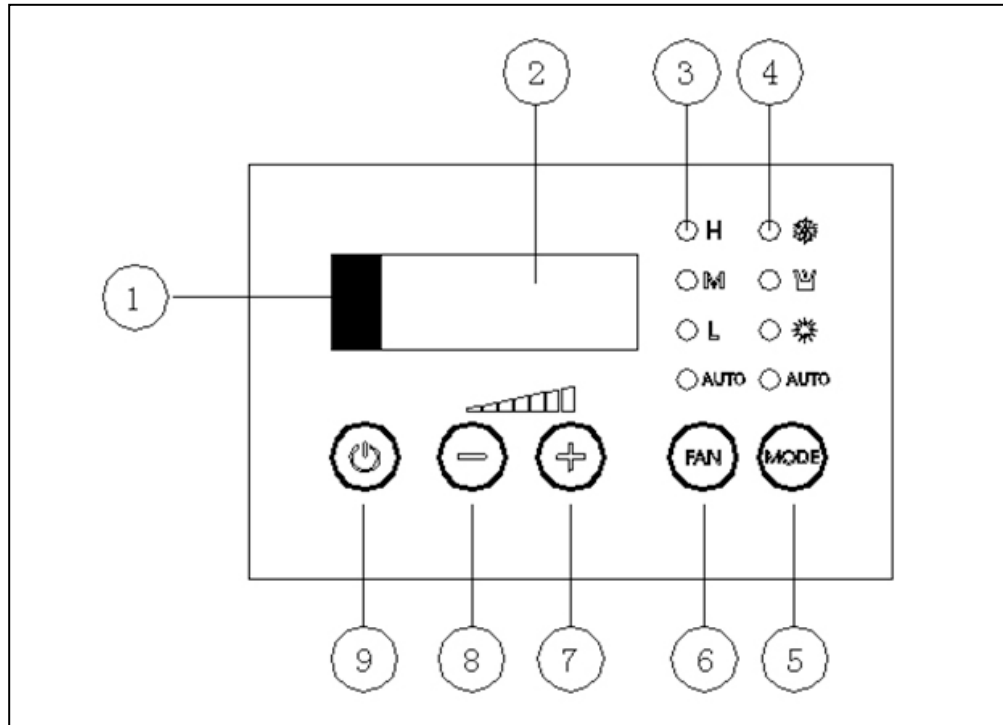
5 Operation

5.1 Manual Controller Operation



CAUTION:

- ◆ Don't install the manual controller in a location where it can get wet.
- ◆ Don't knock, throw or open the manual controller frequently.



① Remote receiver	② Fan control button
③ Digital display	④ Temp. Setting button (Increasing)
⑤ Fan speed display (HIGH-MID-LOW and AUTO speed)	⑥ Temp. Setting button (Decreasing)
⑦ Display of mode operation (COOL-DEHUMIDIFY-HEAT and AUTO)	⑧ ON/OFF button
⑨ Mode button	

This manual controller has memory function, if power off happened during the operation, the controller will memorize the status of ON/OFF, operation mode, set temperature, operation fan speed, temperature display format and time of starting interval. After powered on, the manual controller will display the setting status before power off automatically; and if the operation status before power off is on, the fan runs at once, after 1 minute, the compressor shall automatically run in the operation status before power off. (The units has not been set up the time of starting interval)



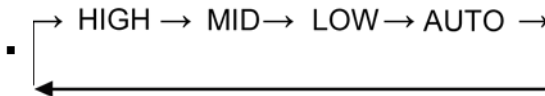
In cooling / heating / dehumidify mode, the pump starts before the compressor starts, stops after 5 seconds delay of the compressor stopping

5.2 Power ON/OFF

- ◆ Press ON/OFF button to turn the unit on
- ◆ Pressing the ON/OFF button a second time will turn the unit off

5.3 FAN Control

- ◆ Press the FAN button, the fan speed will change in the following order:



- ◆ In "DEHUMIDIFY" mode, the fan will work at low speed automatically.

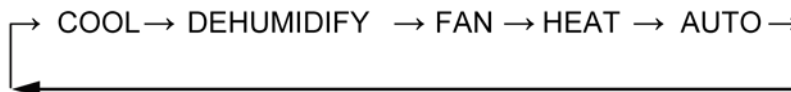
5.4 Temperature Setting




- ◆ Press temperature setting key:
 - ⊕ To increase in 1°C increments;
 - ⊖ To decrease in 1°C increments.
- ◆ The setting range of temperature in each mode:

COOL	61°F~86°F or 16°C ~30°C
DEHUMIDIFY	61°F~ 86°F or 16°C~30°C
HEAT	61°F~86°F or 16°C~30°C
FAN	In this mode, temperature cannot be changed.
AUTO	68°F~78°F or 20°C~26°C

5.5 Mode Setting

- ◆ Press this key to change the operation mode in order of




- ◆ In "COOL" mode, the LED marked  will be light, if set temperature is higher than room temperature, only the fan will run.
- ◆ In "DEHUMIDIFY" mode, the LED marked  will be light and fan will work at low speed within a certain temperature range. Dehumidifying is more efficient than in cooling mode and it will save energy.
- ◆ In "FAN" mode, all LED marked work pattern will extinguish, and hand controller will indicate room temperature. But this temperature cannot be set
- ◆ In "HEAT" mode, the LED marked  will be light ,when the setting temperature is lower than the room temperature, it will not run.
- ◆ In "AUTO" mode, the LED marked AUTO will be light.



COOLING ONLY TYPE WITHOUT HEAT MODE.

5.6 Display Fahrenheit or Centigrade

Pressing MODE and  key simultaneously for 5 seconds, the temperature can switch between Fahrenheit and Centigrade modes.

5.7 Error Codes

When there are faults within the system, an error code will be displayed on the display controller: Power off the unit and contact professional service.

Error code	Description
E1	Compressor high pressure protection
E2	Evaporator freezing protection
E3	Compressor low pressure protection
E6	Communication error
F0	Ambient temperature sensor error
F1	Evaporator temperature sensor error

5.8 Key Lock

- 1) Pressing \ominus and \oplus key simultaneously for 5 seconds, all keys will be locked. Then pressing \ominus and \oplus key simultaneously for 5 seconds again, all keys will be unlocked.
- 2) After all keys are locked, the controller would not response to any operations. And wired controller will display "EE" for 3 seconds when users press the key.

5.9 Checking Voltage Function

When numerical value displayed on the Nixie tube does not flicker, pressing \ominus and FAN key simultaneously for 5 seconds, then you can check the current voltage. The display will last for 5 seconds before it exits automatically. If you have controller or other key to control the signal during this period, the display will exit directly.

5.10 Starting Interval Setting

- ◆ If there are several A/C units in a yacht, you can set starting time interval between one by one.
- ◆ After hand controller powering on, pressing \oplus and FAN key simultaneously for 5 seconds without any other operations, you can set up starting interval. Nixie tube will flicker every 0.5 second. Then, pressing \oplus key or \ominus key to set up interval number. Next, pressing \oplus and FAN key simultaneously for 5 seconds to confirm the number. If you do not confirm, the number you set up will flicker for 10 seconds, then hand controller will exit the setting interface and the time interval you set up just now will be invalid.
- ◆ The value be displayed by nixie tube is the figure of interval time, each interval time is 20s, for example the set up value is 128, it means that the actual setting interval time should be $128 \times 20 = 2560s$.
- ◆ When the value be displayed by flashing nixie tube, then to shield each signal of wireless remote controller, excepting to press the \oplus button and fan speed button at the same time for 5 seconds, and to shield other buttons.
- ◆ After manual controller powered on, if there is wireless remote controller or at the same time to press other buttons except the \oplus button and fan speed button simultaneously, and then press the \oplus button and fan speed button simultaneously for 5 seconds, it will display the figure of interval time for 5s. During the period, if there is wireless remote controller or other remote controller signal, it will directly quit the display interface of starting interval time.
- ◆ The new setting starting interval time would be executed after manual controller re-powered on.
- ◆ The setting range of starting interval value is 0-255; accordingly, the setting range of starting interval time is 0-5100s(85min).
- ◆ If there is malfunction happened, cannot set up or display the time of starting interval.



5.11 Auto –off function of the manual controller

The display of ambient temperature will automatically blank in 5-minute lag if there is no operation on the manual controller.

- 1) After receiving the signal from the manual controller, the indicator will light on automatically, in which case, the unit will not operation at all and the manual controller can be active after it lights on.
 - ◆ After the unit stops, there is no display on the manual controller.
 - ◆ Powered on again if the unit status is on before power off, temperature indicator and mode indicator of the manual controller will light on automatically.
 - ◆ If the unit receives the stop signal, it will directly blank off the temperature indicator and mode indicator of the manual controller.

NOTE:

The starting interval time setting function only is available in the same yacht and there are should be two or more units installed. After the starting time interval be set up, after powered off and re-powered on, Units will delay 3min and base on this, it will delay for a while then can start up, the delay time is called time of starting interval.

6 Accessories

ITEM	DESCRIPTION	P/N
1	Extended Display Cable / 49 ft. (15m)	FCFSP0076A

7 Troubleshooting

FAULT	POSSIBLE REASON	CORRECTION
Will not start	A/C circuit breaker is off	Turn circuit breaker on at ship's panel, See control operation section in this manual.
	Display control is not turned on.	Check wiring Diagram and correct if necessary.
	Fuse is broken	Replaced with a new fuse.
	Incorrect wiring at terminal strip.	Disconnect power supply and open electric box, check wiring diagram, correct if necessary,
	Push-on butt connectors pulled apart during installation.	Check power source (shore/generator) for proper voltage.
	Input line voltage is insufficient,	Check wiring and terminals for proper sizes and connections.
Fan not running	Check your specific control Troubleshooting section	
No cooling or heating	Temperature set point is above (in cooling) or below (in heating) ambient temperature	Lower or raise set point.
	Obstructed seawater flow.	Clean seawater strainer. Check for obstructions at speed scoop thru-hull inlet. Check for a good steady flow from the overboard discharge.
	Seawater pump maybe air-locked,	Remove hose from pump discharge to purge air from line
	Refrigerant gas leaked.	Check A/C unit for refrigerant oil leakage, call service technician.
	Seawater temperature too high for cooling or too low for heating.	Seawater temperature will directly affect A/C unit's efficiency. This A/C unit can effectively cool your boat in water temperature up to 90oF and heat (if reverse cycle option is installed) in water as low as 40oF.
	Coil is iced (in cooling)	See below
	Fan is not running.	See below
	Pressure switch or thermal overload opened.	Check your specific control troubleshooting section.

FAULT	POSSIBLE REASON	CORRECTION
No Heating	Reversing valve may be stuck.	Tap reversing valve lightly with rubber mallet while unit is in heat mode, call for service if the problem cannot be solved.
Low air flow	Air flow is blocked	Remove any obstructions in return air stream, Clean return air filter and grille. Check for crushed or restricted ducting, ducting must be as straight, smooth and taut as possible.
	Coil is iced	See below.
Coil is iced	Thermostat set point is too low	Raise set point.
	Improper air flow	Remove any obstructions in return air stream. Clean return air filter and grille. Check for crushed or restricted ducting, ducting must be as straight, smooth and taut as possible.
	Supply air is short-cycling,	Redirect supply air so that is not blowing into the return air stream. Seal any air leaks on duct.
	Seawater temperature is below 40oF	Shut down system to prevent damage to condenser. Allow coil to defrost (see below).
	Humidity level too high.	Close hatches and doors.
	When all else fails.	Switch A/C to heat until ice melts or use hair dryer to melt.
	Check your specific control troubleshooting section,	

FAULT	POSSIBLE REASON	CORRECTION
Manual controller is not lit.	4-pin display cable plugs are not making contact (unplugged, dirty, bent, or broken pins).	With POWER OFF at the circuit breaker, remove connector and inspect. If damaged, replace connector or entire display cable.
System runs continuously	Set point temperature is improperly set: too low for cooling or too high for heating.	Raise or lower set point.
	Porthole or hatches open.	Close all port holes and hatches,
	Seawater temperature too high for cooling or too low for heating.	Seawater temperature will directly affect the A/C unit's efficiency. This A/C unit can effectively cool your boat in water temperatures up to 90°F and heat (if reverse cycle option is installed) in water as low as 40°F.
	Improper air sensor location.	Check your specific control troubleshooting section,

8 Maintenance

8.1 Reversing Valves

Reverse cycle units have a reversing valve; the valve must be energized periodically to keep the internal parts moving freely. To do this, switch the A/C unit into heat for a few seconds once a month.

8.2 Seawater Strainer

Ensure that your pump receives adequate seawater flow by regularly cleaning the strainer basket. Periodically check the overboard discharge for a steady stream of water. Check seawater intake speed scoop for obstructions. Make sure hoses are not looped, kinked or crushed.

8.3 Blowers

Oil blowers every six months with SAE20 or equivalent. This does not apply to high velocity blowers with the motor encased in the blower housing.

8.4 Condenser Coil Cleaning

- 1) With the system turned off at the circuit breaker on the ship's panel, disconnect the inlet and outlet connections of the condenser coil.
- 2) Use chemical resistant hoses (PVC 3/4" I.D., etc.) to connect the inlet of the condenser coil to the outlet of a chemical resistant, submersible pump and let the hose connected to the Coil outlet flow freely into the container mentioned below.
- 3) Place a strainer or piece of screen over the inlet of the pump and submerge the pump into a container filled with a 5% solution of muriatic or hydrochloric acid and fresh water or use a premixed over-the-counter solution. Use a large container as possible to hold the solution (5-25 gallons). CAUTION: avoid spilling or splashing the solution. Remember to wear all necessary protective gear, i.e. approved safety goggles and chemical resistant gloves. Follow all warnings and recommendations given by the manufacturer of any acids or premixed solutions.

- 4) Power the pump and circulate the solution through the condenser coil for 15-45 minutes depending upon the size of the coils and the extent of the contamination. Visual inspection of the solution in the container should indicate when the contamination has been removed.
- 5) Circulate fresh water through the coil to flush any residual acid from the system.
- 6) Restart the system and check operational parameters to ensure thorough cleaning has taken place. Additional cleaning may be necessary with extreme contamination.



WARNING: For the purpose of protecting the environment, dispose of any contaminated acid solutions in accordance with federal, state and/or local regulations.

8.5 Return Air Filters

Check the return air filter about once a month and clean as necessary. To clean the filter, remove it from the unit, rinse with water, air dry and reinstall. (Do not use compressed air)

8.6 Winterization

There are several methods of winterization, some of which work better than others. There are various methods employed using a 50/50 non-polluting biodegradable anti-freeze/water solution. Any method that causes the anti-freeze solution to flow downward is the method of choice. By this, the anti-freeze solution will displace any water trapped and eliminate the possibility of freezing in hidden areas. In addition, since the seawater pump utilizes a magnetically driven impeller, the impeller should be removed from the wet end assembly, wiped with a solution, and stored in a warm, dry area until commissioning takes place.



Collect all discharged liquids and recycle or dispose of in a proper manner.

8.7 Limited Warranty

This product comes with a 24 month limited warranty from the date of purchase. For warranty policy details, visit <http://www.techwebasto.com>. To obtain warranty service, contact a customer service representative at: (800) 860-7866 or e-mail at: info-us@webasto.com.

8.8 Technical Assistance

If you require help, check our technical assistance website at <http://www.techwebasto.com> or call the technical support hotline at (800) 860-7866.

For quick service, please have the following information available:

- Full Name
- Phone number including the area code
- Unit Model Information and serial number
- The type of assistance you are requesting
- Document any error codes

NOTES

NOTES



Webasto Thermo & Comfort N.A., Inc.
15083 North Road
Fenton, MI 48430

Technical Assistance Hotline
USA: (800) 860-7866
Canada: (800) 667-8900

www.webasto.us
www.techwebasto.com