

Manor Minutes

Volume 11 Issue 20

May 8, 2020

Please note: As we begin the process for the safe reopening of our church building, all church activities in the building are suspended until further notice. Watch the Manor Minutes for updates on the target dates for reopening the building for meetings and gatherings and also for our first sanctuary worship service. Continue your prayers as we make decisions related to these re-openings.

ZOOM

Worship Service

SUNDAY at 12:30 PM

Meeting ID: 932-4557-4206

Password: 026316

Instructions for Zoom Worship and CW&W are attached in a separate document.



Sunday at 11 AM

Meeting ID: 735-805-8215

Password: 550943

All **Outreach information** can be found on the FMCC website, <https://fairhillmanorchurch.org/how-to-help>.

FACE MASK-MAKING PROJECT - The Interchurch Medical Assistance World Health Organization (a partner with Week of Compassion) currently has a mask-making project to produce 75,000 cloth masks to those in need. If anyone is interested in being a part of this project please check out their website at <https://imaworldhealth.org> There is more info and a video. Any questions please contact Marsha Sams either by phone/text - 859-421-7227 or at msams822@gmail.com.



THANK YOU to all who participated in one way or another, volunteering your time, donating food and/or/money to make our **Drive-Thru Food Collection** a HUGE event. We had 17 volunteers show up to help collect and sort over 2,000 items of food. \$1,230.00 was also collected. The food was divided and delivered to our local Salvation Army and Community Circle Food Pantry this week. SHOUT OUT to Gary & Kathy Ford, and Donna Stenski for helping with the deliveries. Each agency will be receiving their monetary donation via mail. We have tentatively scheduled another Emergency Drive-thru Food Collection for Saturday, June 6th from 10-12. Stay tuned for further developments for that event. Again, Thank you Good and Faithful Servants.....many blessings....Marsha



The **Pastoral Search Committee** has been working very hard during our time we have been away from the church. This week we met with two candidates that we are very interested in on Zoom and are extremely pleased with how those meetings have gone. We are now starting discussions on one of these two being our possible finalist. Please pray for us as we move closer to finding the future pastor of our congregation.



TASK GROUPS TO BE FORMED TO PREPARE CHURCH FOR REOPENING!

In an effort to better prepare for the reopening of our church there are many things that need to be done so that we can safely open the building for all who may enter. The Pastor's Cabinet believes that the establishment of task groups who could concentrate their efforts on specific areas related to reopening would be the best method to accomplish these goals. Please review the following three groups and their areas of responsibility and volunteer for the one which you would like to be involved. The groups are listed in order of imminent need. It is anticipated that each group would have 4-6 members plus a chair. Pastor Darwin, Pastor Gena and myself would be ex-officio of all three. Please email Gary Ford, fordgary@comcast.net or text at 724-344-2193 by noon, Tuesday, May 12th which group best suits your talents and spiritual gifts. The spirit of Fairhill Manor has been alive and well during this pandemic and now it is time to begin to bring our church back together!!

Task Group I: Preparation and care of the building.

This group will plan how best to clean/prepare the building for ongoing use. Plus, it will establish guidelines for ongoing cleaning/sanitizing, and rooms to be open or closed.

Examples would be ordering of all necessary cleaning supplies, how and when to clean, location of hand sanitizers, use of small and large fellowship halls and kitchen. Plus, all things deemed necessary to safely open the building.

Task Group II: Preparation for worship in the sanctuary.

This group will establish plans for use of the sanctuary. A main concern for this group is the safety of those who attend worship.

Examples would be how to determine seating, offerings, communion, singing, bulletins and how services will be conducted.

Task Group III: Communications

This group will determine what signage is needed and where to place it. Additionally, it will communicate with members, renters and the community of ongoing plans.

Examples would be what signage would say and where to place it. How best to communicate with the congregation, outside groups and the community so everyone is aware that our church building is open but how things may have changed for everyone's best interests and safety.

Once these groups are established and chairs have been appointed, comments and suggestions from members of the congregation can be directed to the chair of each group. The next meeting of the Pastor's Cabinet will be Wednesday, May 27 at 6:30 p.m.

Please prayerfully consider where your spiritual gifts would best benefit this most important task. I thank you all for your patience as we proceed step by step so that we can bring our church back together while protecting the lives of everyone who enters our building.

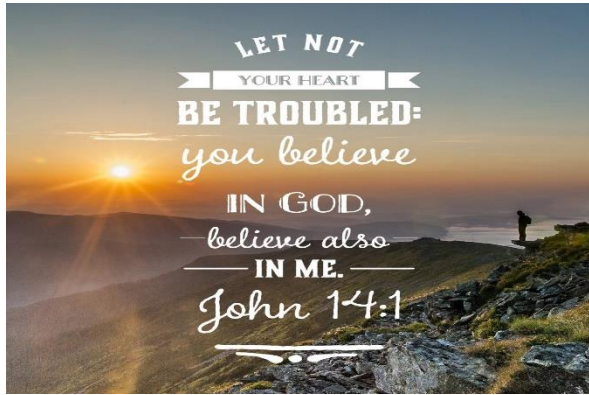
Peace. Gary

Vice Moderator, Chair of Pastor's Cabinet



This Week's Birthdays

May 8 Carl Brandtonies	May 11 Don Cavanaugh
May 9 Paul Huntsman	May 12 Joyce Brandtonies
May 10 Craig Dotson	May 13 Gene Sheller
May 10 Lucas Ramirez	May 14 Deacon Hritz



Fairhill Manor Christian Church
(Disciples of Christ)
351 Montgomery Ave.
724-225-8610

Rev. Dr. W. Darwin Collins, Interim Pastor
Rev. Gena Sheller, Associate Pastor
May 10, 2020

Welcome to our Home Worship Service!

Welcome*

Pastor Gena

Call to Worship*

Isaac Mayen

Come, all of you who feel lost, alienated, alone. We felt that we didn't belong anywhere. We just wanted somewhere to belong. Christ, the Strong Cornerstone of God's house, welcomes you. Once we were no people and now, we are God's people. Once we had no place to dwell and now, we live and abide in God's love. Thanks be to God for God's gracious love and hospitality. AMEN.

Opening Hymn*

"Holy, Holy, Holy! Lord God Almighty!"

organ by Audra Allan

Holy, holy, holy! Lord God Almighty!
Early in the morning our song shall rise to thee;
Holy, holy, holy! Merciful and mighty,
God in three persons, blessed Trinity!

Holy, holy, Holy! All the saints adore thee;
casting down their golden crowns around the glassy sea;
cherubim and seraphim falling down before thee,
God ever living, through eternity.

Pastoral Prayer and the Lord's Prayer*

Pastor Gena

Loving God and Parent of All,

We are grateful today to gather as children birthed in your image, blessed offspring of your creation. As a mother hen gathers her brood under her wing, so today we ask you to gather us in, joined together to hear your teachings and experience your love as we worship you.

We thank you for the women among us and around us, in whom you have gifted the privilege and the challenge of being mothers and mother figures. Especially we thank you this day for all mothers, everywhere. Strengthen them as they raise their children. Grant them wisdom for the lessons that they teach, discernment in the ways that they discipline, and patience and energy when those are needed.

We thank you for grandmothers, sisters, aunts, teachers, Sunday school teachers, adult mentors, big sisters, and everyone everywhere who plays a motherly role in the life of another. Grant them the ability to model the example of Christ for all within their influence, that they might share the love that you have so freely shown to all of us.

We pause to remember those for whom Mother's Day is a source of discomfort, perhaps even anxiety and pain. We lift up those for whom this day brings sadness in remembering their own mothers who have died, especially those encountering this Mother's Day for the first time without their mothers. Bring peace and comfort, we pray.

We pray with those for whom Mother's Day is a painful reminder of their own singleness, or their own inability to have biological children. Give them your special care and love, and grant them your assurance that they are not alone; neither are they without ability to make a lasting impact on the world.

And to those for whom their experience with and memory of their own mothers has brought enduring pain, remorse, and guilt, grant the power of healing and forgiveness.

Remind us of the wrongs we have done to each other, and the power we have, in your name, to bridge even the deepest divides.

We bring now into the light and warmth of your presence all those about whom we are concerned – those whose names we have mentioned aloud and those we share with you now in this quietness...

In these uncertain times, when the way ahead is not clear, we ask for wisdom and discernment for our leaders; we ask for stamina and healing for those on the frontlines of this coronavirus epidemic; we ask for comfort and companionship for all who are walking through darkest places alone; we ask for patience and understanding for all who wait. Give us courage, give us compassion. Show us the way, reveal your truth, for in you we find life abundant.

We give you thanks, O God, for you are loving father and mother to us all. In the name of Jesus, our Lord and Savior, we pray as he taught us...

Our Father, who art in heaven, hallowed be thy name. Thy kingdom come, thy will be done on earth, as it is in heaven. Give us this day our daily bread, and forgive us our trespasses, as we forgive those who trespass against us. And lead us not into temptation but deliver us from evil; for thine is the kingdom, and the power, and the glory forever. Amen.

Anthem* “What Wonderous Love is This,” sung by the Saint Olaf Choir, Southern Harmony
<https://youtu.be/DsVnvN3EVxY>

Children's Message*

Cara Hritz

I'm sure you know that today is Mother's Day. This is the day we dedicate to celebrating our mom! We also celebrate other women who have been important in our lives. Did you give your mom a card today? This card says "I love you, Mom!". Saying I love you is a great way to show love. But, do you know an even better way to tell your mom you love her? By showing her with your actions. In the Bible, it says that we know that God loves us by what He did for us.

This is how God showed his love among us: He sent his one and only Son into the world that we might live through him. This is love: not that we loved God, but that he loved us and sent his Son as an atoning sacrifice for our sins. Dear friends, since God so loved us, we also ought to love one another. And he has given us this command: Whoever loves God must also love his brother. 1 John 4:9-11, 21 (NIV)
What are some ways you can show your mother that you love her? Well, you might help out around the house. You could clean your room or empty the trash. You could show her that you love her by obeying her when she tells you to do something. You can show her you love her by getting along with your brothers and sisters. It is easy to tell your mom that you love her, but if you really love her, your actions will show it!

Do you think that God likes to hear us tell Him that we love Him? I know He does. But He likes it even better when our actions show Him that we love Him. How do we do that? Try to think of some ways that you can show your Mom and God that you love them this week.

Thank God for failures, skeptics, and losers...for we would really know so little without them! I stand in awe at people who have natural, God-given talents...like Jody being able to pick up on a tune and play it so beautifully, or Gene who is so adept at working with mathematics, or our trustees who are so capable at analyzing and solving problems with the building...my personal history has been more trial and error and trying again. Most of us, I think, are educated by that second time around method. Try, fail, and try again. I have lived my life by the grace of others' forgiveness and such small blessings as erasers, whiteout, and spell check.

So, you might understand the appreciation I have for these two disciples of today's text, Thomas, and Phillip. They were not naturally astute at understanding Jesus' teachings, they with raised eyebrows and scrunched faces just keep asking for clarity. They hear Jesus' words, but don't quite get it, so they probe deeper.

Here in this passage that has so often become a standard for funerals, of comforting the grieving at the time of death...Thomas, just doesn't seem to get it...so he pushes for clarity. As Jesus seeks to prepare his disciples for the approaching time of his departure by talking about a place prepared for them...a place where Jesus will already be present. A place that for many there is no need for more information than to know that we will be with God, Thomas wants more than that reassurance...he wants a AAA trip-tik, an annotated Google maps description with pictures.

In response to his doubt and questions, Jesus doesn't pull out a brochure to the Celestial Hilton Hotel, or the address of a website to explore...but with a matter of fact assurance that everything is set in place for the disciples' future, he says, "I am the way and the truth and the life. No one comes to the Father except through me. If you know me, you know my Father also. From now on you do know him and have seen him." For many this line of Jesus is pulled from this context of assurance for the disciples and becomes a judgement upon others who may worship or have beliefs different than their own. What was intended to be comforting becomes a weapon to disturb. I prefer to keep it as Jesus' comforting way of assuring us, as his followers, that by knowing him and trusting him, we are on the right path, rather than as a judgement of others. It's a statement of promise and comfort to help allay our anxiety that God will provide, even after death.

And then Phillip follows up with an even more frustrating question to Jesus as he asks, "Show us the Father." If the Father is getting this place ready for us...then can we have a photo so that we can recognize who God is? And with an even greater level of exasperation, Jesus responds to this question by saying...Phil, you've got to be kidding me...You know me! Don't you know that I'm the spittin' image of Father? If you've seen me, you've seen my Father. And then he goes on to remind Phillip, and I do believe the other disciples were listening intently, as well, "The words that I say come from the Father that dwells within me...and if you don't believe and trust me because of the words, then consider the works that I've done...and I'm sure in the minds of the disciples they did a quick inventory of the teaching tour...a brown bag catering for 5000, Lazarus returns from the dead, water jugs age into perfect wine, healings. Whether because of your trust in my words...or in the demonstration of life-giving works, just know that here before you is the very image of the Father...the one who knows you, calls you by your name and is worthy to be trusted even in times of anxiety and fear...even when your very world seems to be in chaos.

You see...to see Jesus, to know Christ's teachings, to know how he related to other people, to recognize his loving and healing acts IS to know God. In Jesus' desire to prepare his disciples for the unknown and frightening experiences following his death, he decides to help them recall what they have experienced in their history with him. Memory becomes not merely good thoughts but the building blocks of a present and future reassurance. God has been and will always be. You've got this, Phillip...you know me, and you know God...because of your experiences of God's true nature and promises fulfilled through Jesus.

We are surely experiencing the reality that fear and uncertainty can cloud our thinking and perceptions of the world around us. Grief can cause us to forget so many of the joyous and special moments as we are overwhelmed with loss. Our trust in God's promises can also be affected by our experiences when our pleas to God are not fulfilled. We wonder, we fear, we doubt. That's again when these doubters, these questioners like Thomas and Phillip...and even Peter help us to form our own relationship with God. These disciples, despite their questions and doubts, still maintained a relationship to God...trust was not destroyed, and their lives of faith grew. Just as when in our human relationships, when we are disappointed or frustrated with what a loved one fails to do...the love continues. Because we KNOW them...and love them. As on this day, we remember the special love of our Mothers, let's be honest, there were those times when we felt hurt, or ignored, or unappreciated...but we didn't doubt the love of our Mother because we knew her and knew of her love. And likewise, in our relationship with God...we know God and God knows us...and loves us.

Christian faith in its purest form is not a document of beliefs that we can articulate or a scrapbook of wondrous acts of kindness...it is to know of Jesus' love and to be known by God. Oh, Phillip or Darwin or...fill in the blank with your name You have known me and know of my love and acts...look again at the faces around you and look for Jesus! Look...know and be known by this wondrous loving God!

Call to Offering*

Amy Caldwell

Since becoming a mother myself, Mother's Day has become one of my favorite holidays. Not only because it's a day that I feel honored and celebrated in my own right as a mother, but because I've realized how much my own mother sacrificed all those years ago for the sake of her children! It's a dedicated day on the calendar to celebrate and love her, even as I'm being celebrated as well.

I always imagined I'd be able to spend every Mother's Day with my mom in person since she lives close by, but social distancing recommendations have made that impossible this year. Instead of getting together for brunch, a movie and cake or bringing her flowers in person, I will have to rely on technology, deliveries and the internet to make the day special.

Thanks to technology, it's possible to feel like we're doing things together, even if we're far apart. We can hop on FaceTime to cook a recipe, or have an at-home spa day together. We could start the same movie at the same time and chat on the phone while we watch it.

This is also the model of our Church during these times. We can't gather together to worship. We also have to rely on technology to meet and see each other each week. We can't give in the usual way either. We can send our checks to the Church or use our online resource Givelify in order to make monetary donations. Some of us have been hit harder than others and are finding it hard to make a monetary offering right now. That's OK. We thank them for the other gifts that they give via their prayers, their participating in Zoom worship, and their service to our neighbors. We also thank them for the gifts they will give in the future.

So, whether you're celebrating Mother's Day from 1,500 miles away or 15 minutes down the road, I pray the day is a beautiful reminder of the love and sacrifice of your mom, and moms everywhere. I also pray

you take some time today to give to our Church in whatever manner works for you during these difficult times.

In all things we give thanks for the faithfulness of God and the work we have been called to do.

Invitation to Communion*

Rev. Collins

Food. It sustains us and satisfies our hunger, but it is so much more. My Grandmother Walls had an enormous dining room table at her home in Cleveland. When I was in elementary school, I would spend several weeks at that home during the summer vacation. It was a grand old house with large windows to view the squirrels hopping from tree to tree, four stories with an immense attic with many places to explore, but most memorable of all was that large dining room table. I never quite understood why the table was never empty. There were always plates of cookies, candy, and snacks. I did not complain. But often there would be freshly baked rolls and pastries...or perhaps quickly appearing platters of leftovers from the previous night's dinner.

Why all this food? I guess it made it easier when people dropped by which they did quite often. But with some later reflection, I understood why all this preparation was necessary...for food was more than something to eat for my Grandmother...it was her way to express love. No, these were more than rolls, more than cookies, more than meatloaf and potatoes...this was love! This may appear to be merely some bread or crackers before us. Just some juice or water in that cup...but blessed by God, they become very visibly God's love in Christ for each one of us. Eat and drink...and see God's love before you.

Prayer for the Bread & Cup*

Linda Reese

Do not let your heart be troubled.

O God, our rock and fortress, in whom we find refuge, we offer praise to you.

We know we can seek help from you in these times of our separation from our family and church. We praise you for having sent Jesus, for through him we can see you and know you. Bless us as we partake this bread and cup and give us the strength of your Spirit so that we may do the works of Christ and bring you glory.

Do not let your heart be troubled. Amen.

Words of Institution*

Rev. Collins

Gathered with his followers around the table, Jesus took the bread and offering a prayer of thanksgiving to God, broke it and gave it to them and said, "Take and eat, this is my body given for you." Later in the meal he took a cup and offered a similar prayer of thanks to God. He gave it to them and said, "Take and drink. This is my blood of the new covenant in my blood shed for many for the forgiveness of sin." Join with all of us by eating and drinking these gifts of God for us, the people of God.

Benediction*

Pastor Gena

We go now to do the work of Jesus,
knowing that in every situation he will be there ahead of us,
preparing a place and an opportunity for us.

May the blessing of God,
The grace of Jesus, our Way, our Truth and our Life,
And the strengthening presence of the Spirit
be with us always. Amen.

* You can listen to these pieces of worship at <https://fairhillmanorchurch.org/worship-audio-files>



Please keep the Pastoral Search Committee in your prayers:
J.C. Leasure (Chairperson), Becca Caldwell, Jackie Nelson, Diane Palfreyman, Rolinda Sprowls and Mike Sweeney

If anyone is in need of food or knows of anyone who is, please contact Marsha Sams. She can be contacted by phone/text message at 859-421-7227 or e-mail at msams822@gmail.com.

Do you have a prayer request or need help? Please feel free to contact Pastor Darwin (412-337-4293) or Pastor Gena (724-263-0033) directly and confidentially. Or scroll down on the opening page of our website (www.fairhillmanorchurch.org) to "Requests for Prayer or Help." There you can send an email which will go directly and only to Pastor Darwin and Pastor Gena. We are One Body in Christ!

Prayer List:

Avery Allen	Jeannie Riffle
Bill Behrens	Lori Riffle
Bristol Allan Berry	Betty Jo Riggle
Kassidy Brightwell	Barb Roupe
Mark & Susan Britko	Shirley Sanders
Diane Cope	Beth Teagarden
Emily Cope Robinson	Melissa Teagarden
Nick Cross	Shirley Teagarden
Fred Engle	Gary Weaver
Joe Greene	Nikki Wells
Bonnie Gregg	Tom Williams
Judy Hanning	Chuck & Mary Wiseman
Aryn Hess	Preparing for Baptism –
Ed & Harriet Jackman	Nyka Rash
Dallas Jacobovitz	
Tom Lane	
Cheryl Leach	
Lee & Betsy Martin	
Ruth Mikuta	
Dick Moninger	
Jody Mullis	
Elinor Newman	
Ed Palfreyman	
Joe Palfreyman	
Denny Paul	

In the Military

Lance Dague
Terrell McClain
Brandon Lipscomb
Daniel Robinson
Shawn Dallatore
Andrew Gregg
Zachary Keene
Sarah Lipscomb
Travis Ringer
Emily Chase



PLEASE PRAY FOR OUR TROOPS

"But they that wait upon the LORD shall renew their strength;
they shall mount up with wings as eagles; they shall run,
and not be weary; and they shall walk, and not faint."
ISAIAH 40:31 KJV

During this time of precaution and limited visitation, take a moment to send a card or note to those in nursing homes or who are homebound to let them know that you are thinking of them.

Southmont-Presbyterian Medical Center, 835 S Main Street, Washington PA 15301

Bill Behrens Rm 437

Rev. Marge Frank

Homebound Members:

Phyllis Cimino

317 Wellness Way

Strabane Trails #325

Washington PA 15301

Mrs. Mary McDonough

949 Bruce Street

Washington PA 15301



Fairhill Manor has entered a new era: the age of anytime, anywhere giving. We are now signed up with **Givelify**, the mobile giving app for places of worship and charities.

Givelify gives you a beautiful, easy giving experience using your smartphone. There are no frustrating web forms to fill out, and recurring gifts are easy to set up and modify. Even better, it's free to download and use. It's safe and secure and gives you access to your complete giving record.

Want to see how it works? [Watch the demonstration video](#) that shows you all about how to make and track donations.

Ready to get started? [Download](#) the Givelify app for Android or iPhone.

Scriptures for May 17:

Acts 17:22-31

Psalms 66

1 Peter 3:13-22

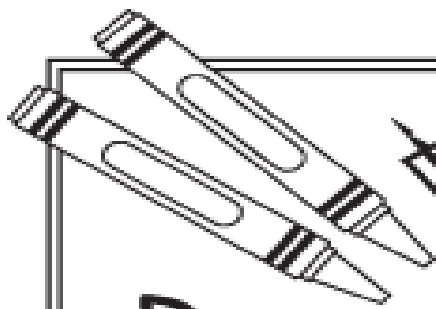
John 14:15-21

Rev. Collins is available to you for your pastoral needs.

Cell: (412) 337-4293

Email: wdar1950@gmail.com





PUZZLE

Decode The days

At this time of year, God's creation "springs" to life.

Directions: After reading Genesis 1:1-2:3, write the correct Creation day number under each picture. Then add up each day's total and write it on the correct blank below.

 1	 3	 4	 5	 3	 5	 2
 4	 5	 2	 5	 5	 4	 3
 3	 6	 5	 4	 6	 5	 3
 6	 3	 6	 3	 6	 5	 6
 2	 6	 6	 1	 6	 1	 4
 6	 5	 3	 6	 5	 7	 6
 3	 6	 7	 4	 6	 6	 3

Day 1 (light) _____ Day 2 (waters) _____ Day 3 (land and plants) _____ Day 4 (heavenly bodies) _____

Day 5 (birds and water animals) _____ Day 6 (land animals and people) _____ Day 7 (God rested) _____

Answers: Day 1 = 3, Day 2 = 3, Day 3 = 10, Day 4 = 6, Day 5 = 10,
Day 6 = 15, Day 7 = 2