

Version #0118

QUADRA

**BIGFOOT**

HYDRAULIC LEVELING SYSTEMS

800-752-9815



**INSTALLATION & OPERATING  
USER MANUAL**

**Mercedes Benz Sprinter**

**3500 Chassis Cab Class-C**

**3500 Camper Van Class-B**

305 US 131 SOUTH  
WHITE PIGEON, MI 49099  
800-752-9815 (PHONE)  
269-483-9636 (FAX)

**BIGFOOTLEVELER.com**

**1st Identify your leveling system...** Then follow the manual by looking for titles of your specific system. Start with mounting the cylinders, then tank assembly, install hydraulic hose and wiring harnesses, electrical controls, finally hook to battery, test and bleed lines.

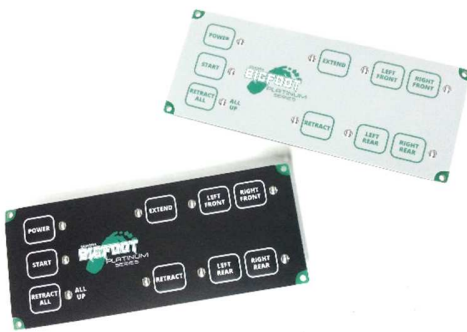


Previous Version



### Automatic System

Automatically levels the vehicle with supreme precision.  
 Manual operation feature.  
 All-up & Ignition safety feature.  
 Emergency Retract operation.  
 Lifetime warranty on cylinders.  
 Central & Quad Pump Formats.



### Platinum System

Automatically deploys all four jacks to level the vehicle from front to rear.  
 Manual operation feature.  
 All-up & Ignition safety feature.  
 Simple, no nonsense design.  
 Central Pump System.



### Wireless System

Freedom to roam while operating.  
 Operates two jacks simultaneously to prevent frame twist/damage.  
 All-up safety feature.  
 Central Pump System.



### 2pt Stabilizing Systems

Wireless, Rocker & Dual Controls

# Automatic Leveling System Controls

## Control Panel Operation...

- Make sure the key is out of the vehicle ignition.

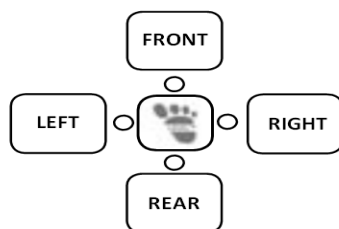


1. Turn panel/system on and let system run through its diagnostic mode. Lights will flash clockwise around the green foot. (System will not operate with the ignition key ON)
2. When the lights stop flashing, it's time to choose your function (MANUAL or AUTOMATIC). If choosing MANUAL, press and hold button until light comes on. For AUTOMATIC, simply press once and release.
3. When in the MANUAL mode, each leveler may be operated individually. FRONT operates right front. RIGHT operates right rear. REAR operates left rear. LEFT operates left front. When using this feature it is important to level the coach by using two levelers at a time or together. For example, right front and right rear, this puts less stress on the frame. To retract individually, press and hold the RETRACT button & the jack button. To retract all, press & hold MANUAL until light goes off, then press RETRACT.
4. When using the AUTOMATIC feature, simply press the AUTO button and then let the system operate itself. It is important at this time that there is NO MOVEMENT IN THE COACH. This process will take 1-3 minutes. To retract the levelers simply turn panel on and press RETRACT.

## Programming the Automatic Leveling System

Turn panel/system on and let system run through its diagnostic mode. Lights will flash clockwise around the green foot.

When the lights stop flashing, push the button labeled "FRONT" 5 times. Then press the button labeled "REAR" 5 times. Once you have done this all lights on panel will begin to flash. This means you have reached in the system what is called zero mode. At this time you can operate each corner or pair of levelers individually.



**FRONT** indicator operates the right front.

**RIGHT** operates the right rear.

**REAR** operates the left rear.

**LEFT** operates the left front.

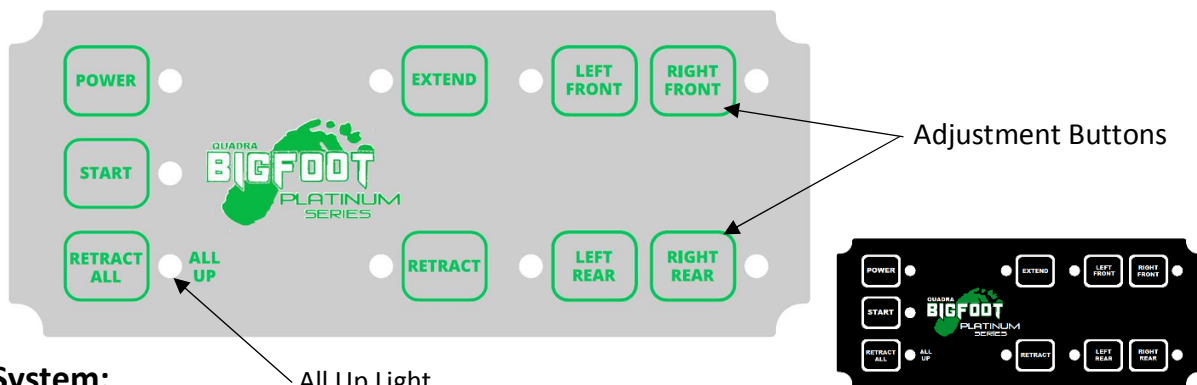
Keep in mind the twisting/flexing of the vehicle's frame. Try to operate jacks in pairs when possible.

Once you have the coach level, you can now store a new program into the system. To do so, press the RETRACT button 3 times & wait for the green Bigfoot light to come on (will take a few seconds). If you do not want to store a new program, simply retract jacks in manual mode to avoid changing the original program (press and hold RETACT & jack button).

# Platinum Leveling System Controls

## Control Panel Operation...

Panel also available in black, NOTE: 1. Panel turns on when ignition turns on to inform user if jacks are up or down (alarm sounds). 2. Due to another safety feature, to operate the "START" and "RETRACT ALL" buttons, press and hold the button for 1-2 seconds then release.



## Extend System:

1. Press the **Power** Button (Red LED will come on constant).
2. Press the **Start** Button, this brings the front of the vehicle nearly level to the rear and stabilizes the rear as well. (LED will come on until program is finished, pressing any button during operation will cancel program, Vehicle Ignition must be OFF).
3. Done! Vehicle is now stabilized, *if* additional adjustments are desired:
  1. Press **Extend** (now in "Extend Mode" LED will come on).
  2. Press & Hold the Adjustment Button for the designated corner(s) of the vehicle that is low or high. (Ex. Right or Curb side is low, press & hold RIGHT FRONT & RIGHT REAR until level, driver's side is considered the left side for reference).
4. **Power Off** (panel will automatically shut off after 10 minutes of no activity).

## Retract System:

1. Press the **Power** Button (Red LED will come on).
2. Press the **Retract All** Button until the green "**All Up**" light comes on constant. (This process will take up to 60 seconds. After 60 seconds the green light will flash, this means that one or more of the jacks did not fully retract, see troubleshooting)

**Always do a visual check to verify that all the jacks are fully retracted prior to operating the vehicle.**

## Wireless Leveling System Controls

- STEP 1:** Press the “WAKE” button on the remote to turn receiver on.
- STEP 2:** To lift the Front of the coach, press “FRONT” then “EXTEND.” Hold this down until the coach moves, then release.
- STEP 3:** To lift the Rear of the coach, press “REAR” then “EXTEND.” Again hold this down until the coach moves, then release.
- STEP 4:** To lift the Driver side of the coach, press “DRIVER” then “EXTEND.” Hold until desired height is reached, then release.
- STEP 5:** To lift the Passenger side of the coach, press “PASSENGER” then “EXTEND.” Again, hold until desired height is reached, release.
- STEP 6:** Press “WAKE” to put the system to sleep.



- 
- STEP 1:** When you are ready to leave press “WAKE” to turn on the receiver.
- STEP 2:** To lower the Rear of the coach, press “REAR” then “RETRACT.” Hold this down until the rear jacks are completely retracted.
- STEP 3:** To lower the Front of the coach, press “FRONT” then “RETRACT.” Again hold this down until the front jacks are completely retracted.
- STEP 4:** Press “WAKE” to put the system to sleep.

*The indicator light & alarm will alert you when one of the jacks are down before you drive away. This is a standard feature on the wireless system.*



### Installing the Wireless Receiver

Plug the receiver pigtail into the plug attached to the central pump tank assembly. Mount the receiver using the provided TEK screws in an easy to access area without placing it in harm's way. For example, although the receiver is weatherproof, face the front component side of the receiver towards the rear of the vehicle where road debris reduce the risk of damaging the receiver.

If you are having trouble with your wireless setup (intermittent performance) the wireless connection may have some interference based on the location of the receiver (Ex. thick steel boxes) you may need to relocate your wireless receiver to another area, such as inside the coach. In order to do this you will have to order a part from Quadra Manufacturing (800-752-9815) “EZ Extension Harness - Part#: M41600”



# Cylinder Installation & Assembly

## Mounting the Cylinders

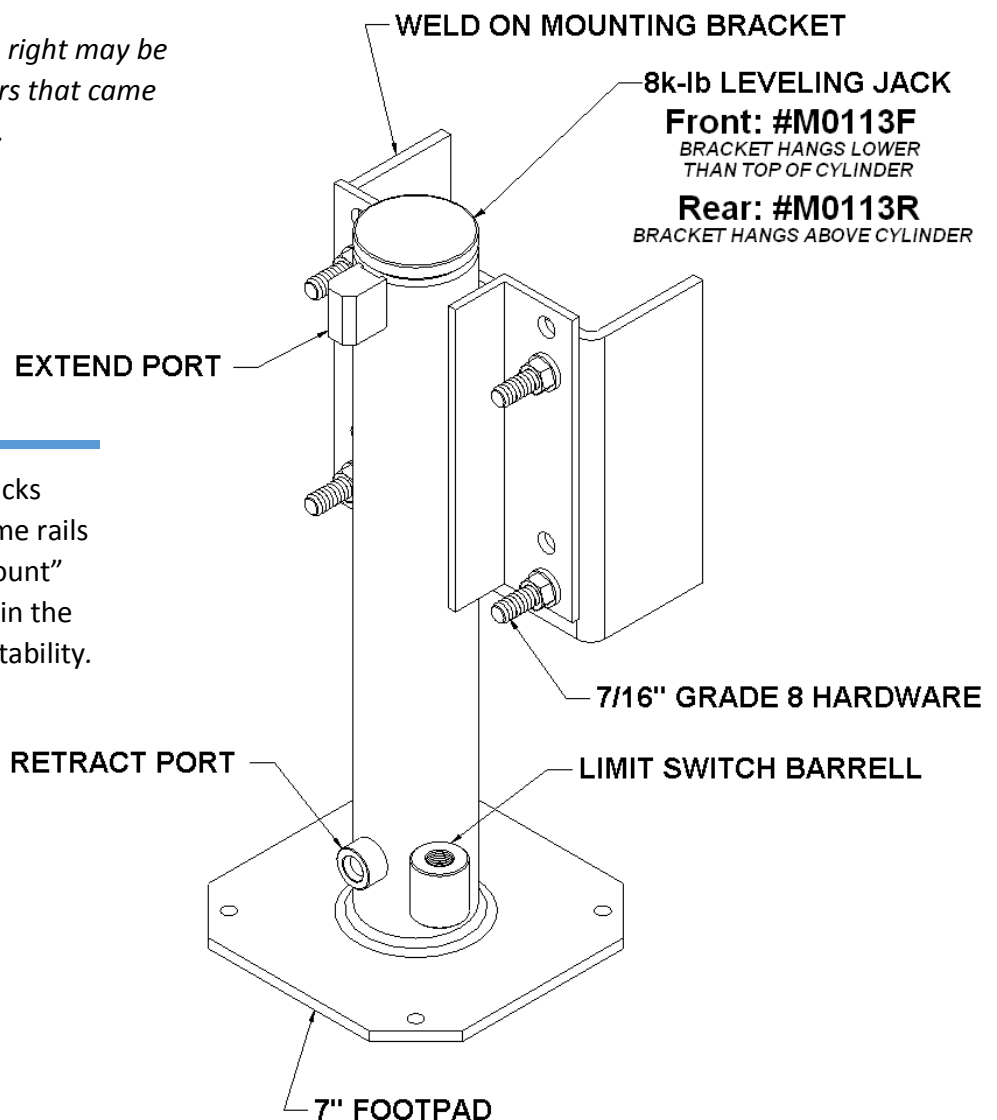
Pre-assemble jack prior to hanging on vehicle in specified location.

- Attach foot pad with  $\frac{3}{4}$ " thin jam nut using a 1  $\frac{1}{16}$ " socket.
- Remove port plugs with  $\frac{3}{16}$ " allen wrench.
- Install supplied JIC elbow fittings to the bottom & top ports with  $\frac{9}{16}$ " wrench.
- **DO NOT** install the extend hose to the top port on central pump systems yet, this will be done later on in installation (due to the length of hose they must go through a bleeding process).
- Place  $\frac{1}{4}$ " clevis pin in limit switch barrel then insert threaded limit switch with  $\frac{7}{8}$ " wrench.
- For jack locations see diagrams on the following pages, but typically the front jacks should be under the cab and the rear jacks should be within 60" behind the rear axle.
- Hang jack using at minimum of four  $\frac{7}{16}$ " or  $\frac{1}{2}$ " Grade-8 bolts, hex nuts & lock washers.

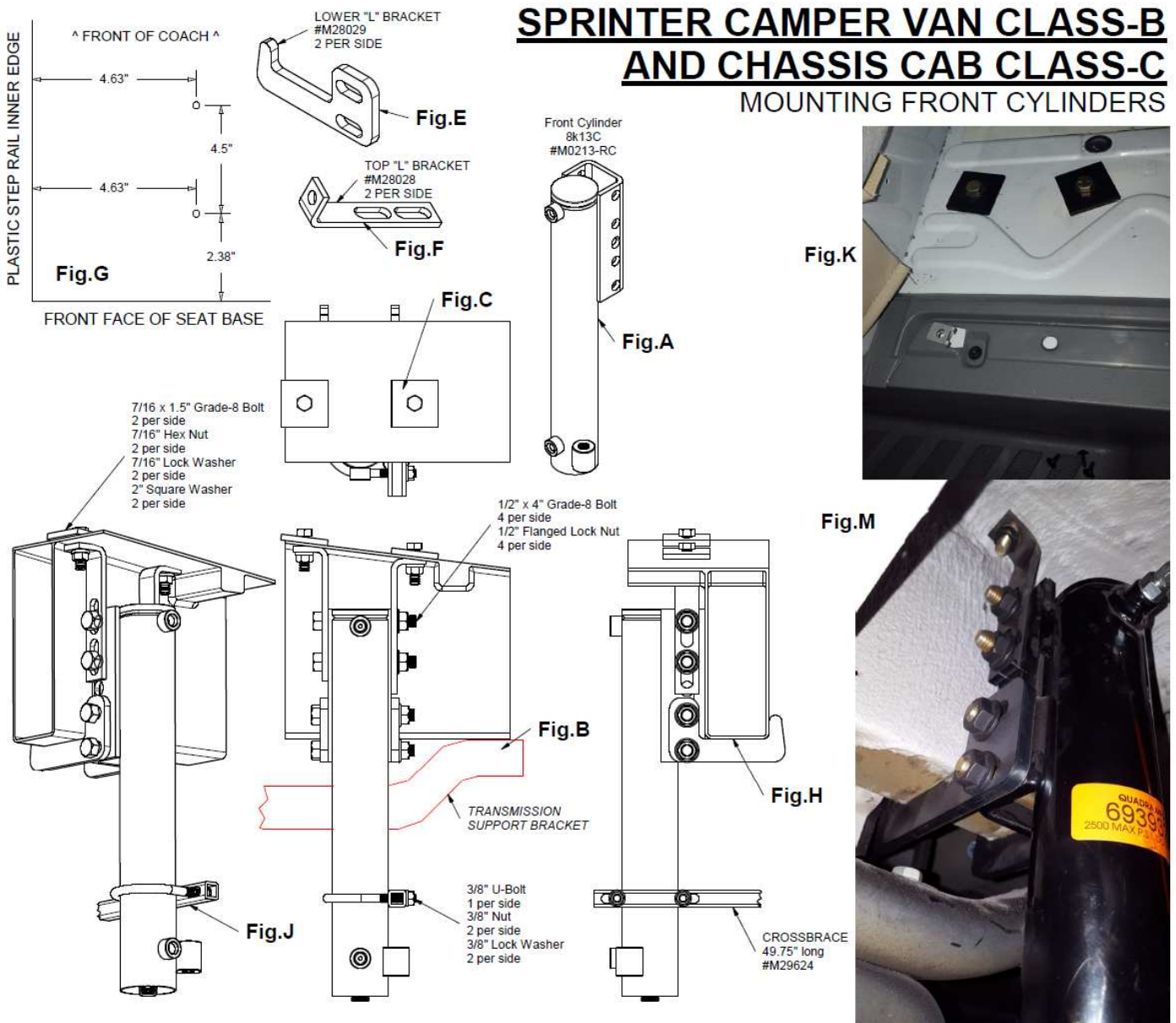
*The cylinder shown to the right may be different from the cylinders that came in your vehicle specific kit.*

---

If mounting the rear jacks between the vehicle's frame rails also called an "inside mount" a crossbrace is required in the installation for structural stability.



# SPRINTER CAMPER VAN CLASS-B AND CHASSIS CAB CLASS-C MOUNTING FRONT CYLINDERS



The front cylinder setup is the same on a Sprinter Chassis Cab Class-C and a Sprinter Camper Van Class-B. First, locate area under vehicle front cab in front of the driver's seat on the outside face of the frame. See (Fig.B and Fig.M) above showing the transmission support bracket attached to the frame, our cylinder's Lower "L" Bracket (Fig.E) will slide between that support bracket and the bottom face of the frame (Fig.C).

Prior to mounting, attach the Top "L" (Fig.F) and Lower "L" (Fig.E) Brackets to the cylinder (Fig.A) loosely, do not tighten as adjustments may be required using the supplied 1/2" x 4" long Bolts and Flanged Lock Nuts, do this for both cylinders.

Find your supplied "Sprinter Drill Template" (sheet of paper) or use the measurements shown in (Fig.G). Drill two 1/2" holes in the locations above and spray each hole with white primer for corrosion resistance.

Now place one cylinder on a floor jack and set in place. Make sure Lower "L" Bracket is "cupping" the frame tightly by lifting the cylinder with the floor jack creating a rock solid mating/lifting surface (Fig.H). Insert supplied 7/16" Bolts with Lock Washers, Nuts and Square Washers through the new holes from inside the cab as shown in (Fig.C and Fig.K) to fasten the Top "L" Brackets to the floor (keep semi-loose). Repeat on other side.

Mount the supplied 3/4" Square Crossbrace with supplied 3/8" U-bolts, Nuts and Lockwashers as shown in (Fig.J), keep semi-loose. Do for both sides.

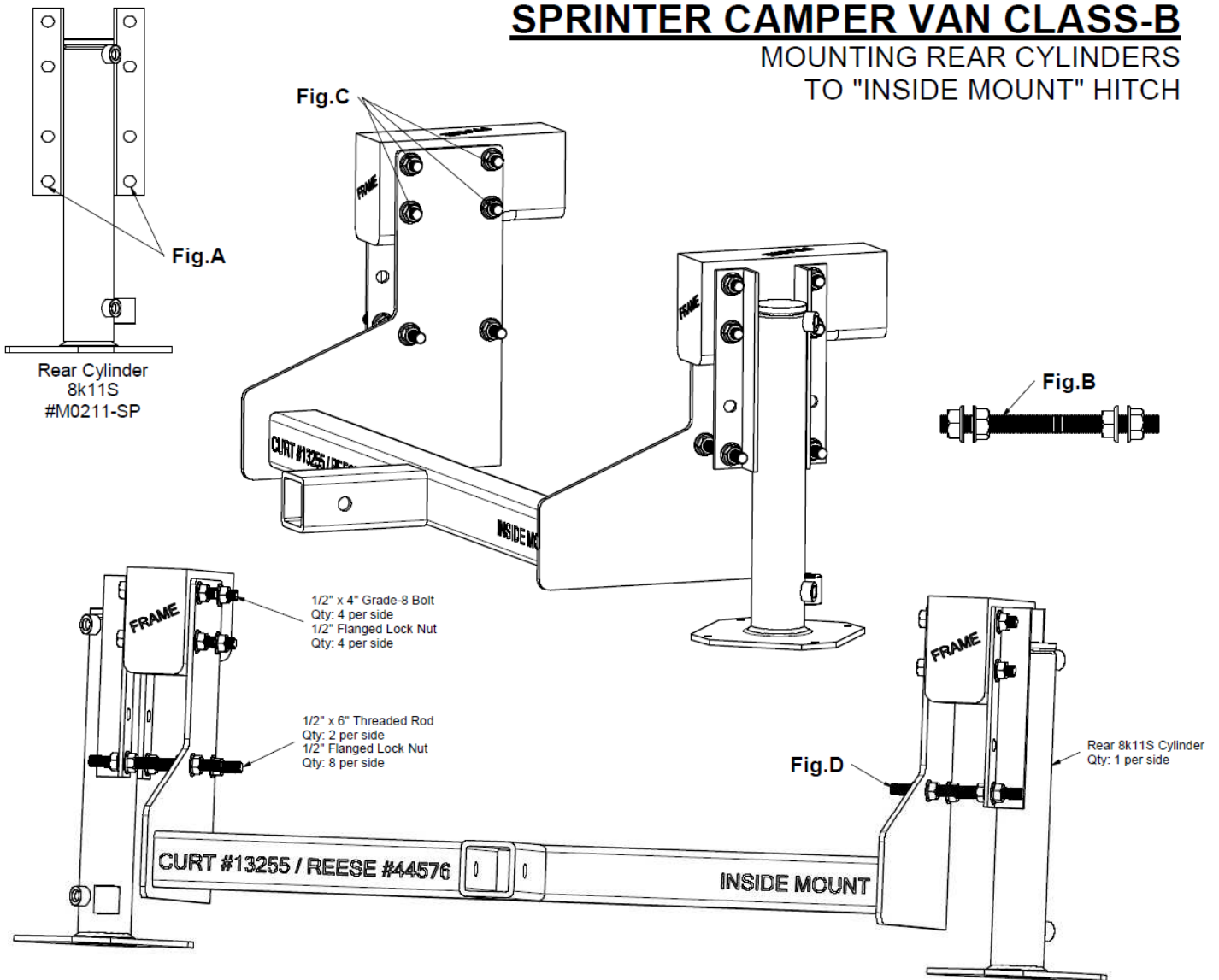
Finally, verify both cylinders are as straight and level as possible before tightening every thing to the following specs below:

1/2" hardware: 80 ft/lbs., 7/16" hardware: 70 ft/lbs., 3/8" hardware: 50 ft/lbs.



# SPRINTER CAMPER VAN CLASS-B

## MOUNTING REAR CYLINDERS TO "INSIDE MOUNT" HITCH



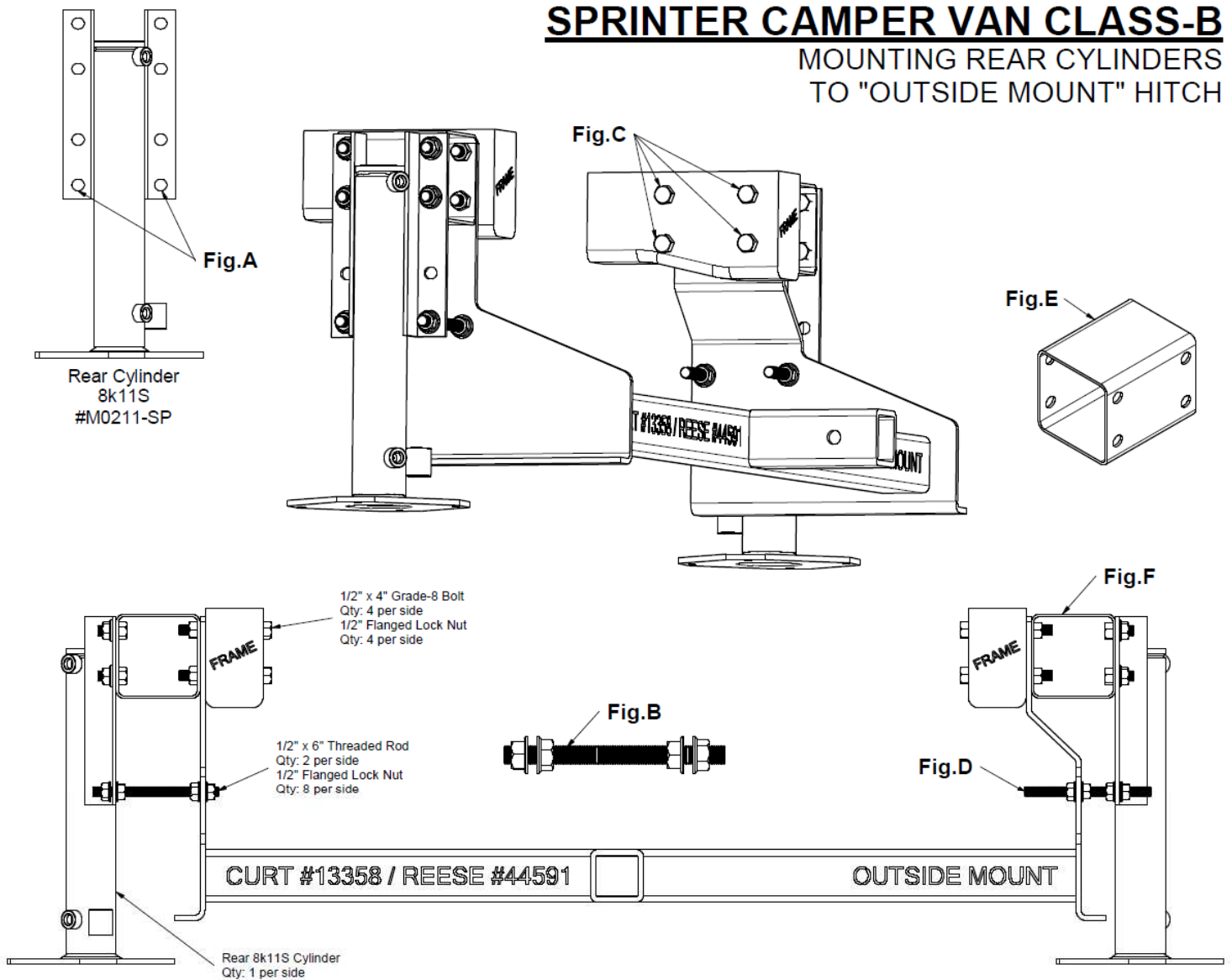
Typical Sprinter Van's have two basic hitch options: 1. "Inside Mount" which refers to the mounting plates bolting in-between the frame rails on the inside surface. 2. "Outside Mount" which refers to the mounting plates mounting on the outside surface of the frame rails.

For the inside mount hitch setup, start by removing the four mounting bolts on one side of the hitch (Fig.C). Remove the hitch's backing plate (if equipped) from the outside surface of the frame rail (opposite hitch mounting plate). Place cylinder in location and insert the supplied 1/2" x 4" long Grade-8 Bolts and Flanged Lock Nuts "sandwiching" the frame with the hitch mounting plate and the hydraulic cylinder. Make sure the cylinder is level and straight prior to tightening each bolt to 80 ft/lbs. Repeat for the other side.

Now that each cylinder is bolted to the frame on each side, it is time to fasten the cylinders to the hitch for side load capacity. Locate the two bottom un-used holes in the cylinder's brackets (Fig.A). Make two marks on the outside surface of the hitch mounting plate even with these two holes for each cylinder. Drill a 1/2" clearance hole (17/32" recommended drill size) at each mark (four total, two per side). Now place the supplied threaded rod as shown in Fig.D with the supplied Flanged Lock Nuts oriented in the manner shown in Fig.B. Tighten all four rods (four nuts per rod) to 70 ft/lbs.



# SPRINTER CAMPER VAN CLASS-B MOUNTING REAR CYLINDERS TO "OUTSIDE MOUNT" HITCH



Typical Sprinter Van's have two basic hitch options: 1. "Inside Mount" which refers to the mounting plates bolting in-between the frame rails on the inside surface. 2. "Outside Mount" which refers to the mounting plates mounting on the outside surface of the frame rails.

For the outside mount hitch setup, start by removing the four mounting bolts on one side of the hitch (Fig.C). Remove the hitch's backing plate (if equipped) from the outside surface of the frame rail (opposite hitch mounting plate). Place the Spacer Block (Fig.E) in location and insert the supplied 1/2" x 4" long Grade-8 Bolts and Flanged Lock Nuts "sandwiching" the frame with the hitch mounting plate and the Spacer Block (shown in Fig.F), tighten to 70 ft/lbs. Now place the Hydraulic Cylinder and line the holes up with the Spacer Block and fasten to the Block with supplied 1/2" x 1.5" long Grade-8 Bolts and Flanged Lock Nuts (four per side). Make sure the cylinder is level and straight prior to tightening each bolt to 80 ft/lbs. Repeat for the other side.

Now that each cylinder is bolted to the frame on each side, it is time to fasten the cylinders to the hitch for side load capacity. Locate the two bottom un-used holes in the cylinder's brackets (Fig.A). Make two marks on the outside surface of the hitch mounting plate even with these two holes for each cylinder. Drill a 1/2" clearance hole (17/32" recommended drill size) at each mark (four total, two per side). Now place the supplied threaded rod as shown in Fig.D with the supplied Flanged Lock Nuts oriented in the manner shown in Fig.B. Tighten all four rods (four nuts per rod) to 70 ft/lbs.

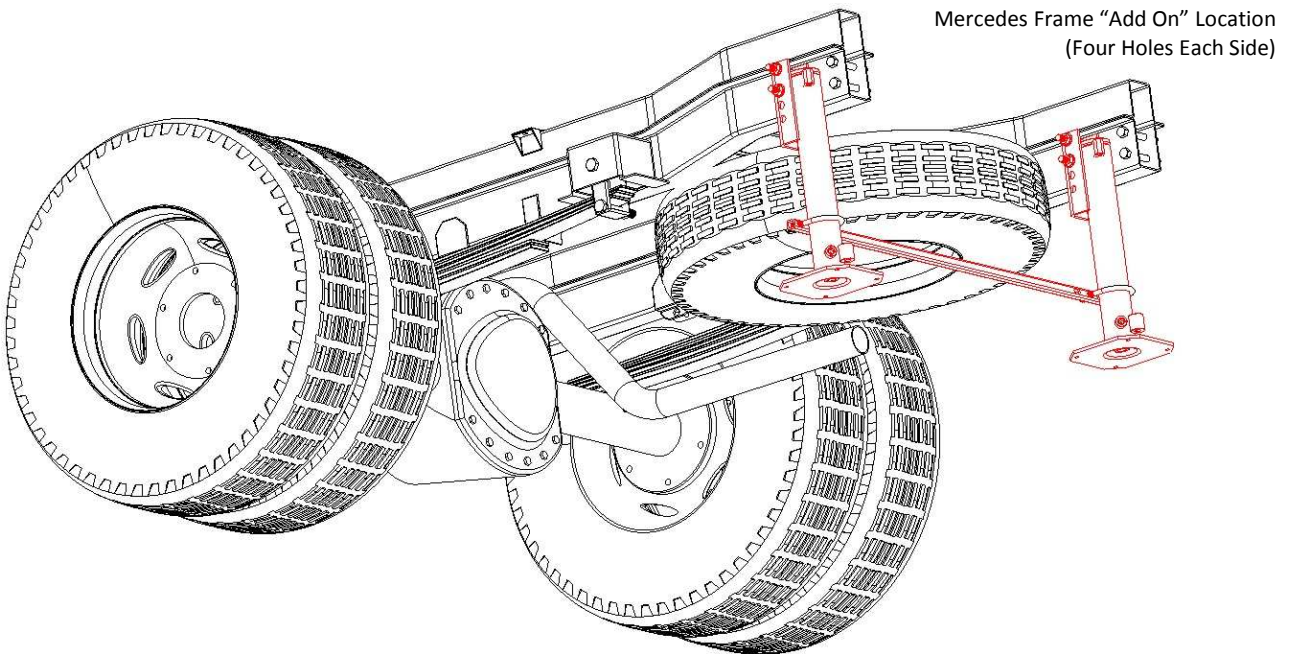
# **SPRINTER CHASSIS CAB CLASS-C**

## **MOUNTING REAR CYLINDERS: "CHANNEL SETUP"**



### **Rear Cylinders Mounting Location Here**

Check for access to front pair of ½" hardware on the outside face of the driver's side frame. The passenger's side jack will be located on the inside face of the frame near the spare tire.



Mercedes Frame "Add On" Location  
(Four Holes Each Side)

Check your system to see which setup you have for the rear, there are two versions the "channel style" shown above and the "universal" style on the next two pages. The channel style are the same as the front cylinders. Channel style system part #: AC-MB4, PC-MB4, WC-MB4, AC-MBW, WC-MBW.

Remove old hardware (two bolts per side/per jack), Mount jacks utilizing existing holes by utilizing included longer hardware (1/2" Grade-8 6 ½" Bolts & Flange Lock Nuts) Tighten to 80 ft-lbs. Cross-brace is required. Either jack can be mounted in-between or on the outside of the frame rails if required by the application's interferences, but may require modification (drill holes) into the cross-brace.

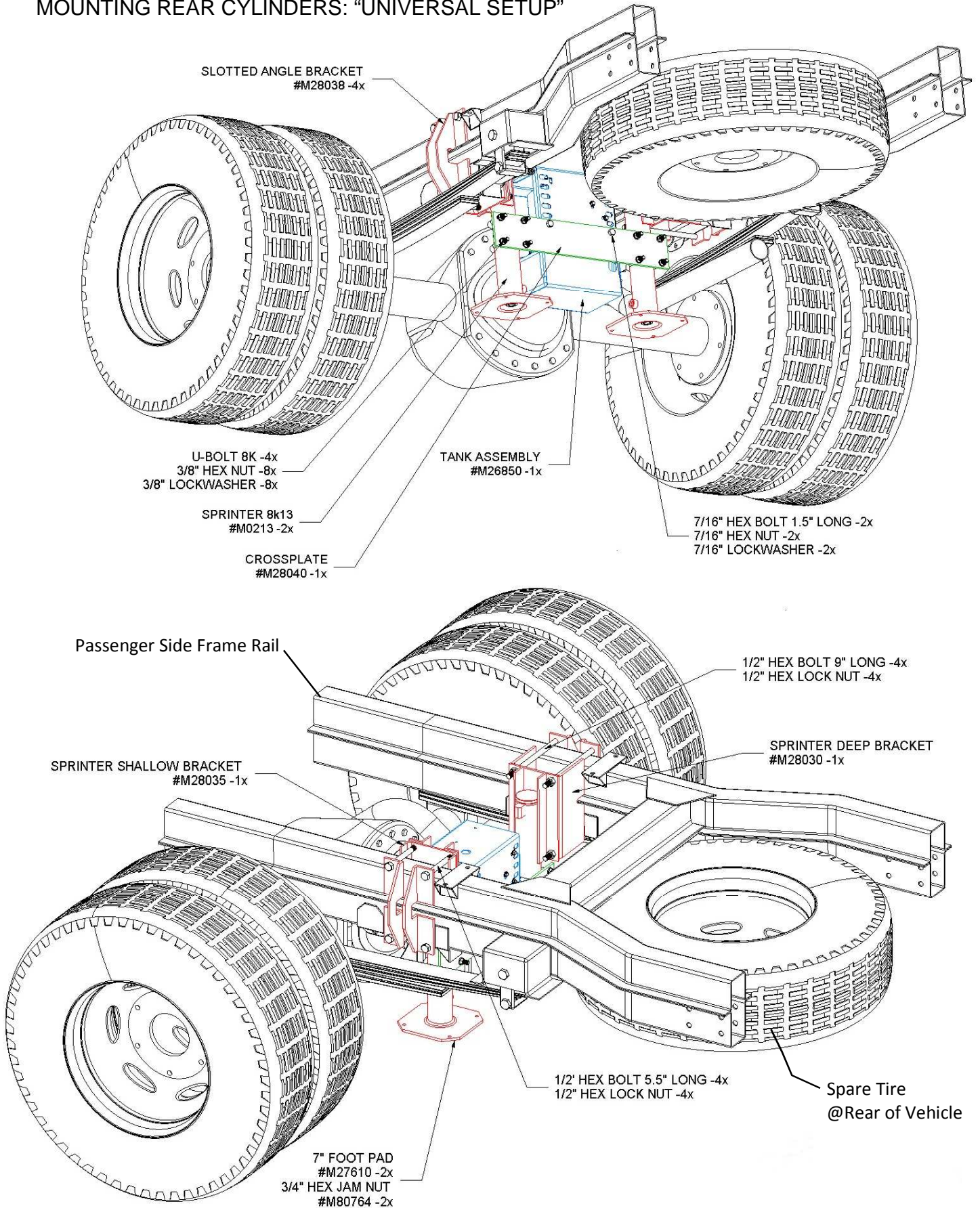
### **Components Required:**

- (2) #M0213-RC 8k13 Channel Style Cylinders
- (1) #M29623 8k Crossbrace w/ 3/8" Hardware
- (4) ½" Grade-8 6 ½" long Bolts & Flange Lock Nuts

# SPRINTER CHASSIS CAB CLASS-C

## MOUNTING REAR CYLINDERS: "UNIVERSAL SETUP"

Following part #: AC-MB3, PC-MB3, WC-MB3



## **SPRINTER CHASSIS CAB CLASS-C... Continued...**

See the diagram on the previous page for locations and visual confirmation on how this system attaches to the vehicle's frame. This is a bolt-on system and requires no drilling or welding.

### Cylinder Preparation

Install the Elbow fittings on the lower & top ports of the jacks. Take care not to overtighten and break the fittings, just needs to squeeze the o-ring. You can always check the fittings for fluid or final tightening during bleeding process later on. The foot pads can be installed now or after the jacks are installed. Use the ¾" jam nut, two threads should show past the nut and an impact must be used.

### Location

The center of the brackets & jacks should be roughly 15" from center of rear axle, just between the sway bar link bracket and a body mount.

### Driver Side

First place the slotted angle brackets and shallow bracket on driver's side frame rail in the location listed above. To hold the two brackets up place two 5 ½" bolts & ½" lock nuts (head side to outside of rail) thru the holes as shown in the diagram. Then place the jack (both are the same) on the bolts and have the locknuts ready to keep the assembly from falling. Now place the bottom bolts and nuts thru holes, prior to tightening, assemble other side and crossplate, then make sure jack is level (upright).

### Passenger Side

Use the deep bracket & longer 9" bolts & ½" lock nuts due to the exhaust on this side. Follow the same instructions as the driver side.

### CrossPlate

Attach using the supplied U-Bolts, 3/8" nuts & lock washers, make sure it is level prior to tightening.

### Tank Assembly

Attach facing the rear axle and the lowest holes for the best ground clearance. Use the 7/16" bolts, nuts & lock washers. Fill with fluid before the tank cover is installed (see following pages).

---

## **NOTE: Installations may require modifications...**

Certain vehicles & RV models may require modifications to the following: Weld-on brackets, Extending limit switch wires & battery cables, Re-routing vehicle exhaust and RV plumbing or wiring, Modification to sub-floor brackets or joists, Storage boxes & Floors.

Make sure the proper hardware is used in the proper locations. Everything should be attached and level prior to tightening. All hardware to be fastened to following torque specs:

1/2" (5 ½" & 9" Bolts) = Torqued to 80 ft/lbs.

7/16" (1 ½" Bolts) = Torqued to 70 ft/lbs.

3/8" (U-Bolts) = Torqued to 45 ft/lbs.

3/4" (Nuts for Foot Pads) = Impact must be used and one to two threads should be visible past nut.

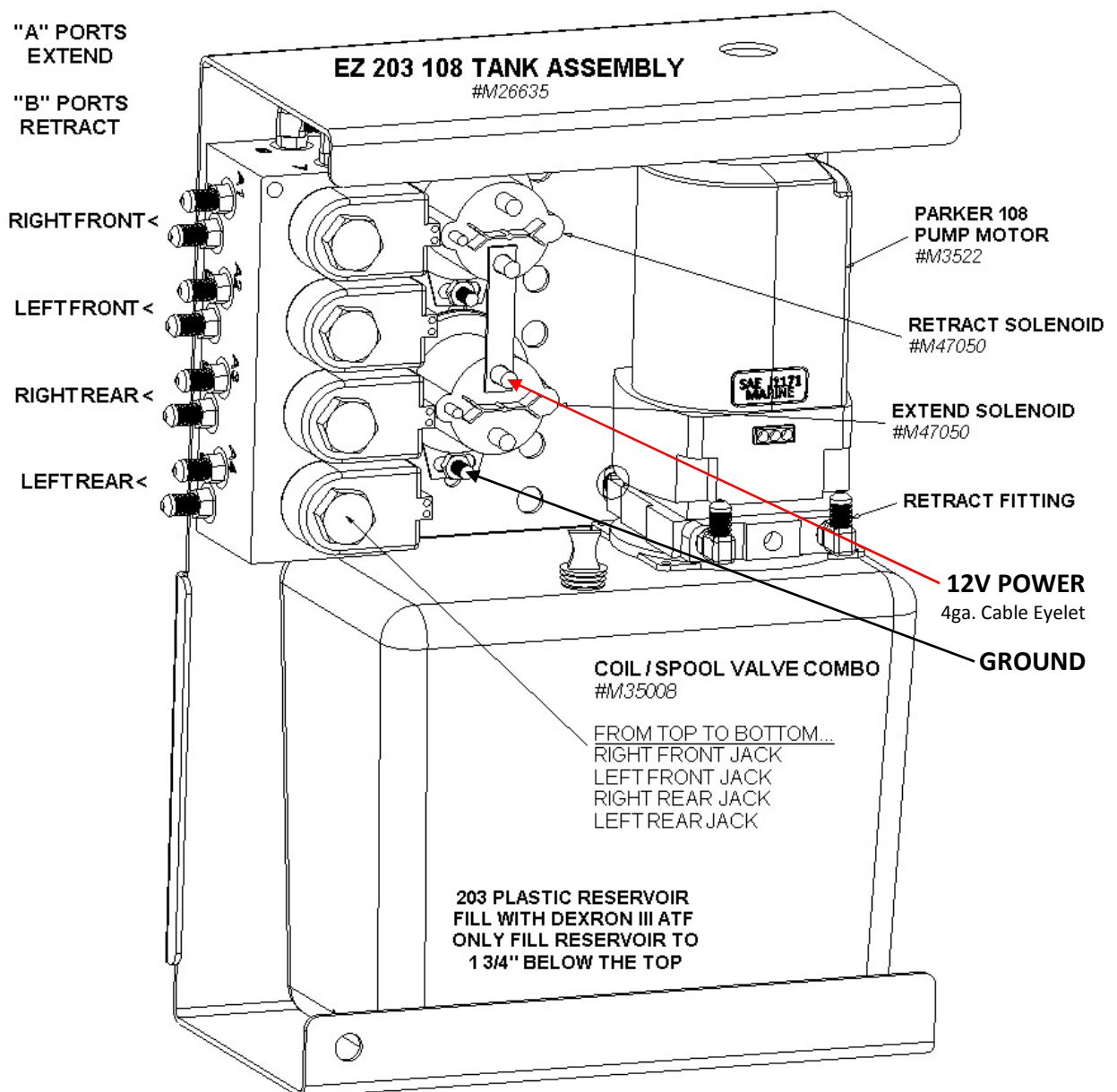
# Vertical Tank Assembly for *Central Pump Systems*

Tank Assembly will be pre-assembled & pre-wired direct from factory.

- Mount the pump using a minimum of two 7/16" bolts, nuts & lock washers.
- Plumbing is shown in Fig. 2 below, use 9/16" wrench and be careful not to under or over-tighten the hydraulic fittings. Sometimes marking the hydraulic lines with tape may make it easier.
- **DO NOT** install the top extend lines to the jacks themselves yet, this will be done later in installation.
- The main wire harness will plug directly into the 14-pin connector that is pre-wired to the assembly.
- Route the **ground harness** (attached to ground shown below) to a grounded surface on the vehicle frame.
- Finally installing the plastic three sided tank cover, this should be done later on in the assembly.
- The tank cover will need to be trimmed to your liking around the hydraulic lines. Fasten the tank cover with at least two self-threading screws, be careful not to puncture the plastic reservoir.

Fig. 2 "A" PORTS  
EXTEND

"B" PORTS  
RETRACT



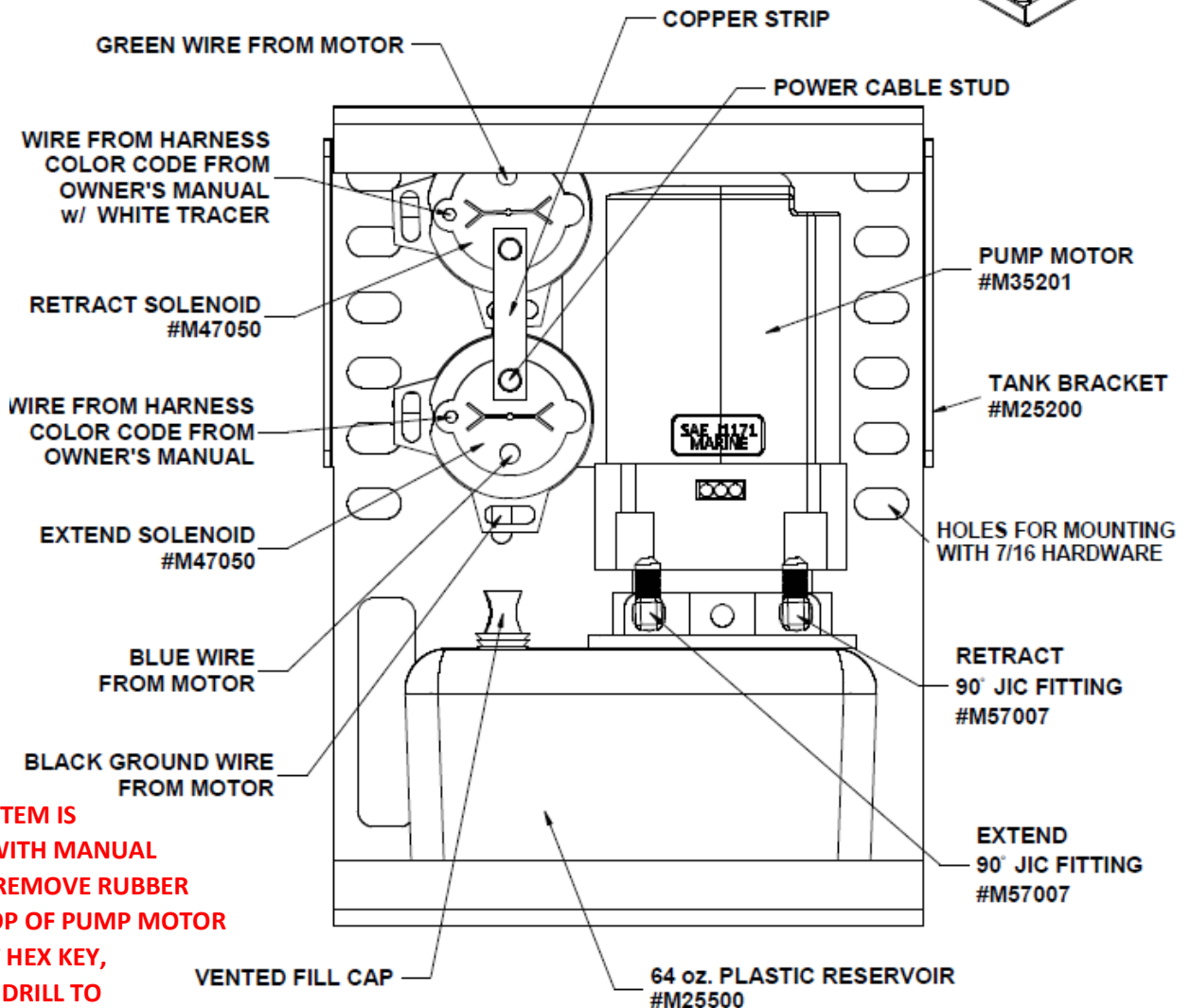
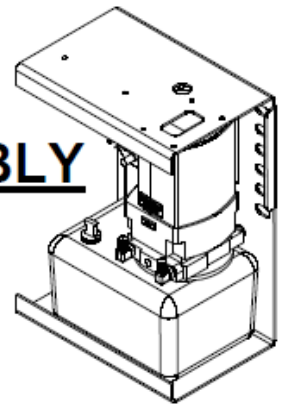
Central tank assembly is typically located near the "center" of the unit, Example: In front of rear axle on driver's side frame rail (outside of rail or between rails).

**Quad Pump or 2pt Stabilizing Systems...**

**MEDIUM TANK ASSEMBLY**

#M26850

OVERALL DIMENSIONS:  
9" WIDE  
12.5" TALL  
5.75" DEEP



**IF YOUR SYSTEM IS EQUIPPED WITH MANUAL OVERRIDE, REMOVE RUBBER PLUG ON TOP OF PUMP MOTOR AND INSERT HEX KEY, TURN WITH DRILL TO OPERATE JACK UP/DOWN**

**4 PT WIRING HARNESS COLOR CODE DIAGRAM:  
LEFT FRONT: GREEN/WHITE & GREEN  
RIGHT FRONT: BLUE/WHITE & BLUE  
LEFT REAR: GREY/WHITE & GREY  
RIGHT REAR: BROWN/WHITE & BROWN**

**NOT PICTURED:  
TANK COVER  
(BLACK TEXTURED PLASTIC)  
#M12002**

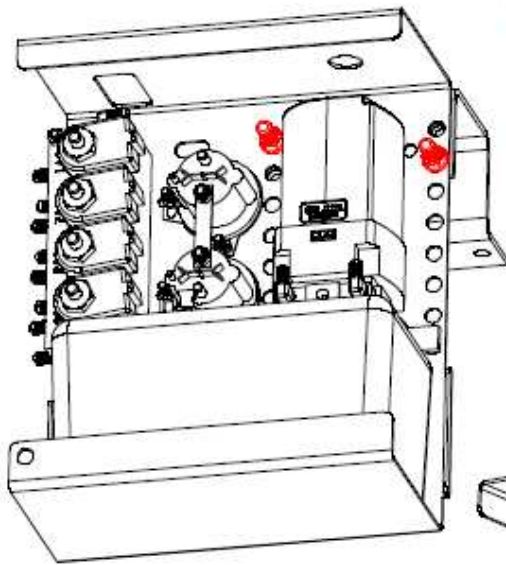
**Mounting Tank Assemblies**

Our tank assemblies are weather resistant and must be mounted vertically and can be mounted externally on the vehicle's frame by drilling holes in the frame or welding a bracket, tanks can be mounted to a cylinder bracket or inside a storage box. Use at minimum two 7/16" or 3/8" bolts per tank assembly. Take care when mounting and running hydraulic lines & wiring to avoid moving parts, exhaust, etc.

# SPRINTER CHASSIS CAB BOLT-ON TANK MOUNTING DIAGRAM

## STEP #1

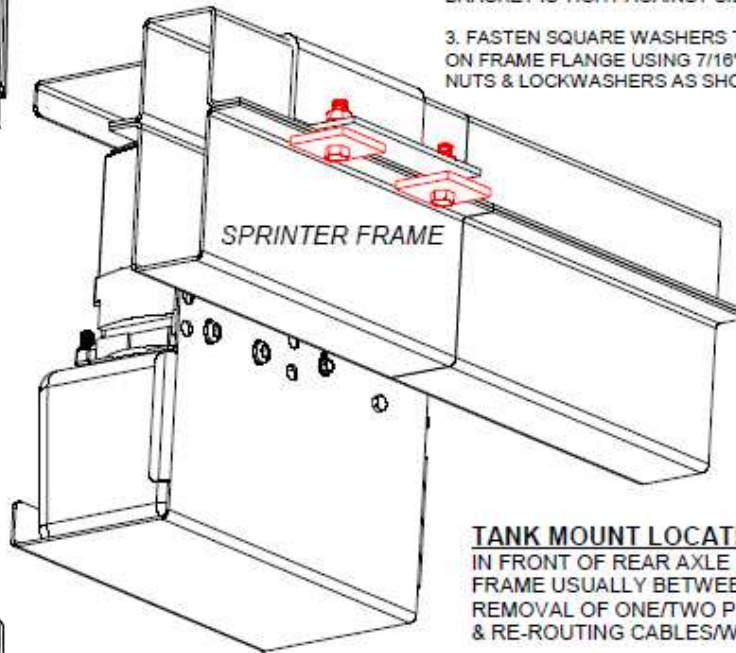
1. FASTEN 7/16" X 1.5" BOLTS, NUTS & LOCKWASHERS, MATING TANK ASSEMBLY & BRACKET AS SHOWN PRIOR TO HANING ON FRAME.



## STEP #2

2. PLACE ASSEMBLY ON SPRINTER FRAME, VERIFY BRACKET IS TIGHT AGAINST SIDE AND TOP OF FRAME.

3. FASTEN SQUARE WASHERS TO CLAMP DOWN ON FRAME FLANGE USING 7/16" X 1.5" BOLTS, NUTS & LOCKWASHERS AS SHOWN.



**TANK MOUNT LOCATION:**  
IN FRONT OF REAR AXLE DRIVER SIDE FRAME USUALLY BETWEEN THE RAILS. REMOVAL OF ONE/TWO PLASTIC RIVETS & RE-ROUTING CABLES/WIRING REQ'D.

FIG. #1

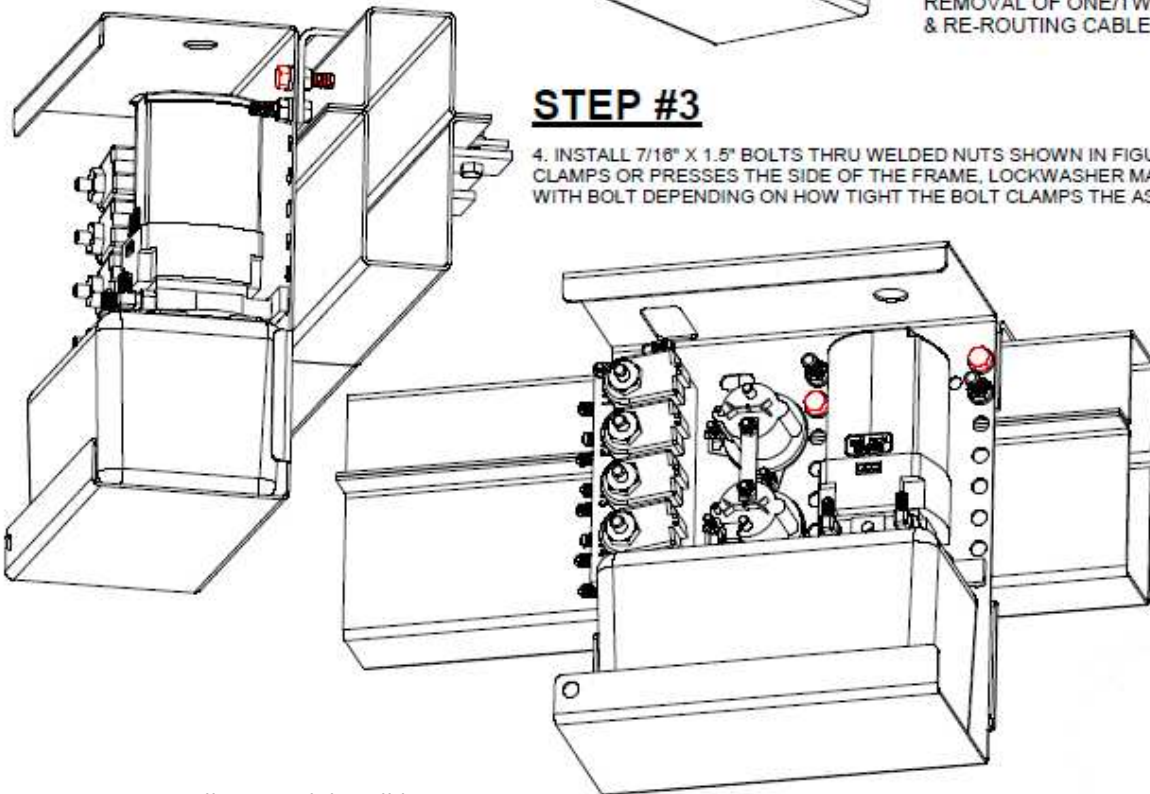
MB TANK MOUNT BRACKET #M29313



7/16" NUTS PRE-WELDED

## STEP #3

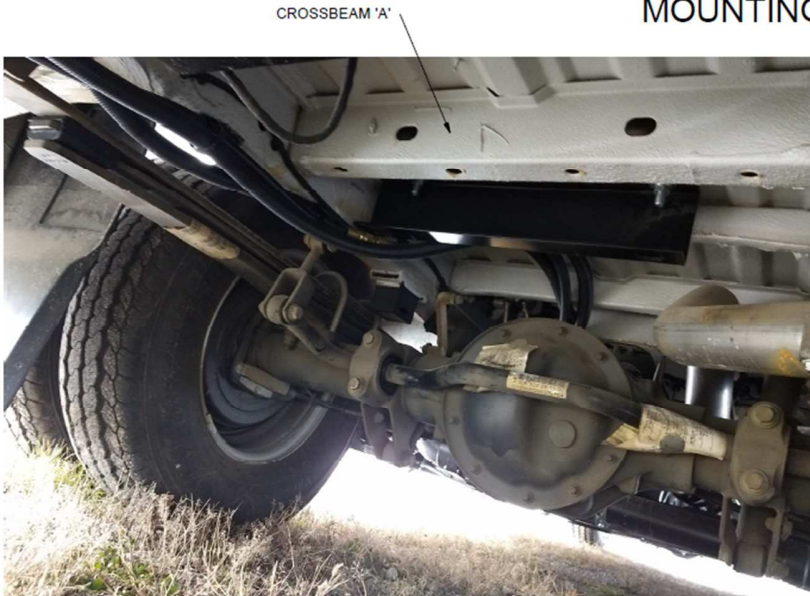
4. INSTALL 7/16" X 1.5" BOLTS THRU WELDED NUTS SHOWN IN FIGURE #1, TIGHTEN SO BOLT CLAMPS OR PRESSES THE SIDE OF THE FRAME, LOCKWASHER MAY OR MAY NOT BE USED WITH BOLT DEPENDING ON HOW TIGHT THE BOLT CLAMPS THE ASSEMBLY TO THE FRAME.



**NOTE:** Not all RV models will have space for this bracket, sometimes the tank assembly must be located in a storage box or another area on the coach.

# SPRINTER CAMPER VAN CLASS-B

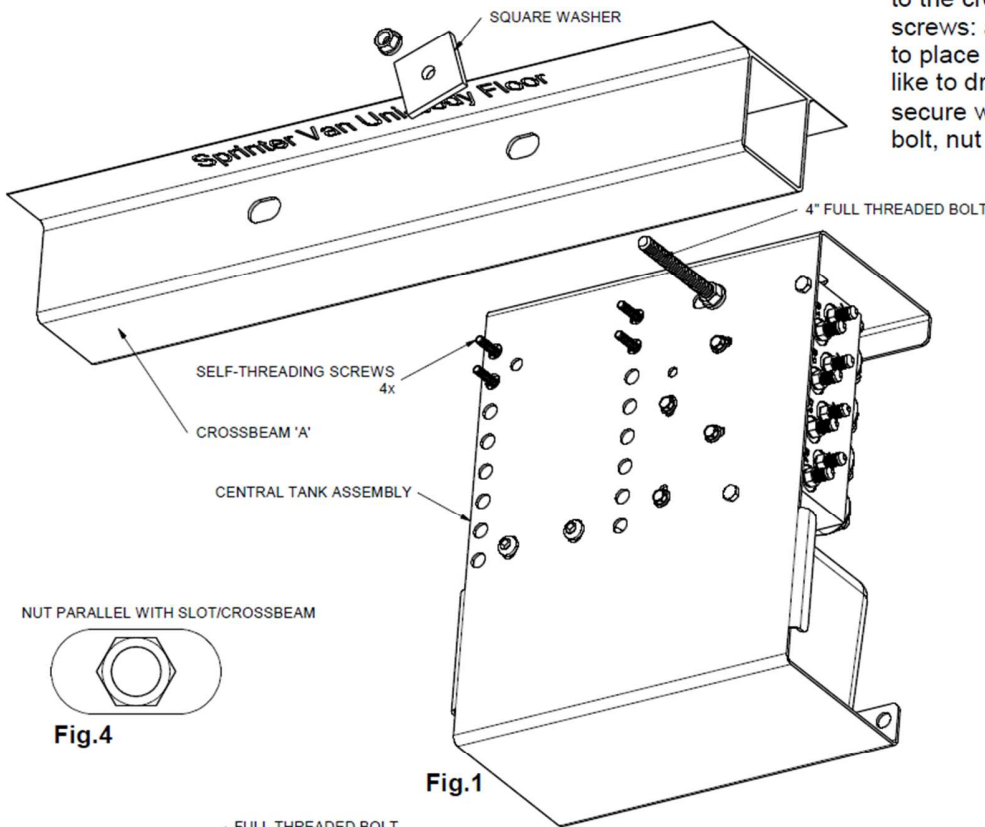
## MOUNTING THE CENTRAL TANK ASSEMBLY



Locate the crossbeam shown to the left. The tank assembly can be mounted on either the front or rear face of the crossbeam.

Insert the 4" full threaded bolt thru the slotted hole shown in Fig.1 & Fig.2, fasten/tighten lockwasher and nut to backside of tank assembly as shown, keep nut parallel to the crossbeam (shown in Fig.4) as it will fit inside the slot in the crossbeam.

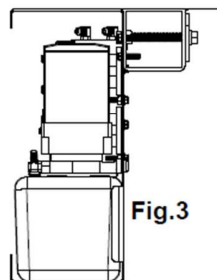
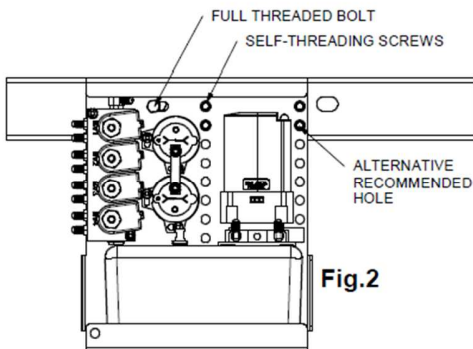
Hang tank assembly onto crossbeam by the 4" bolt through both ends of the slots in the crossbeam (Fig.1). Place square washer on backside of crossbeam and fasten/tighten the accompanied nut and lockwasher to 60 ft/lbs (Fig.3). Run all four supplied 5/16" self-threading screws into the holes shown in Fig.2 to finish mounting the tank assembly to the crossbeam. Alternative to self-threading screws: a second full threaded bolt is supplied to place inside one of the holes if you would like to drill a hole into the crossbeam and secure with the second supplied full threaded bolt, nut and lockwasher, fasten to 60 ft/lbs.



NUT PARALLEL WITH SLOT/CROSSBEAM



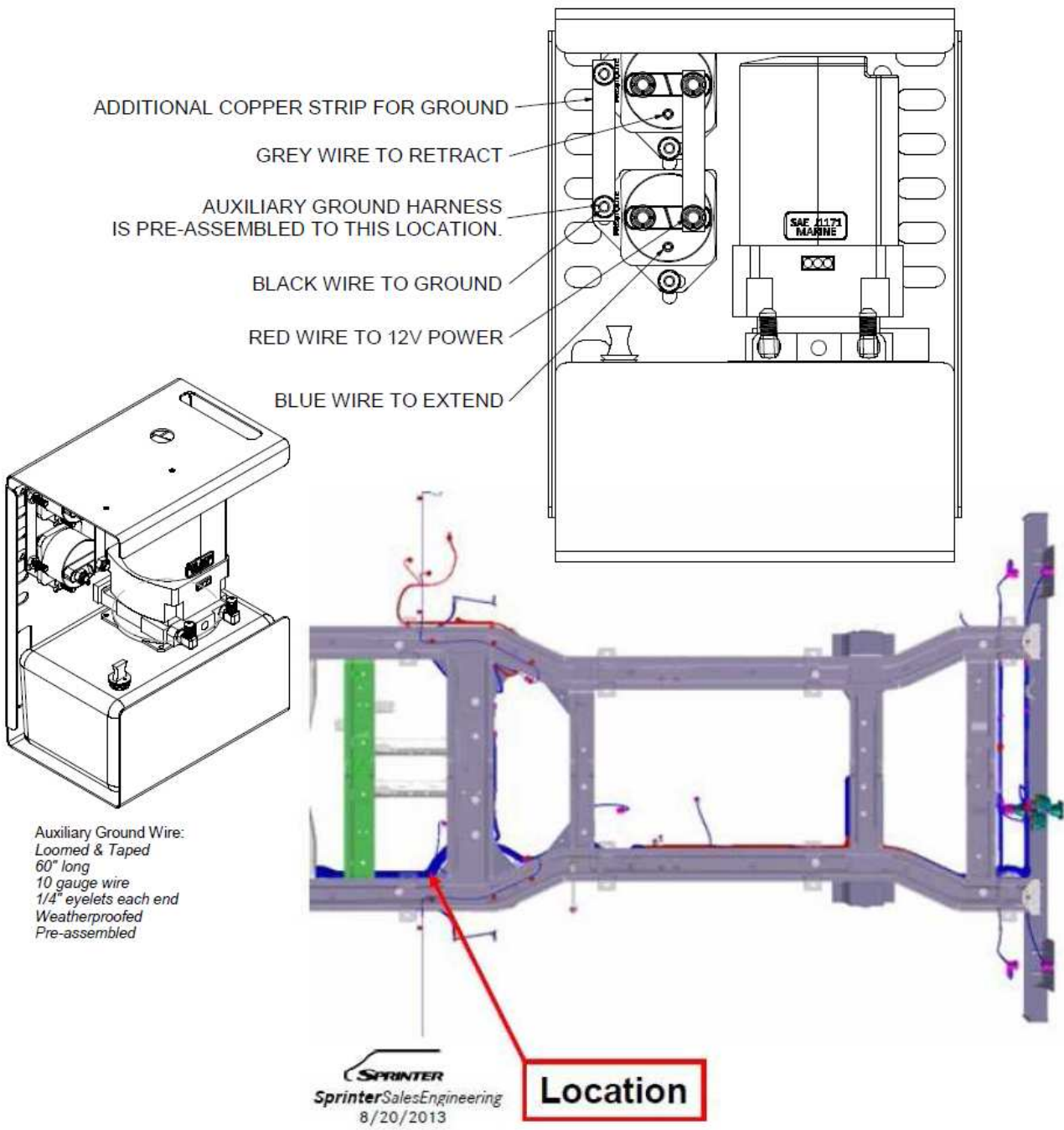
Fig.4





# Grounding your tank assembly...

Each pump requires 12V power and sometimes an additional ground is required for the pump/motor to operate correctly. This is true for central pump, quad pump and 2pt systems. An auxiliary ground harness (optional) could come pre-wired to the tank assembly, otherwise attach a 10 gauge wire (4 gauge for horizontal pump) from the location shown below (solenoid mounting stud from each solenoid) and to a good grounded surface on the vehicle frame or directly to the negative terminal on the battery. Quad pump or 2pt assembly shown below, but the same solenoids are used on the vertical central pump assembly. At the bottom of this page is a picture of the Mercedes Sprinter (chassis cab) ground location in front of the rear axle.



Auxiliary Ground Wire:  
 Loomed & Taped  
 60" long  
 10 gauge wire  
 1/4" eyelets each end  
 Weatherproofed  
 Pre-assembled

**SPRINTER**  
 SprinterSalesEngineering  
 8/20/2013

**Location**

# Main Wire Harness –Automatic Leveling & Platinum System

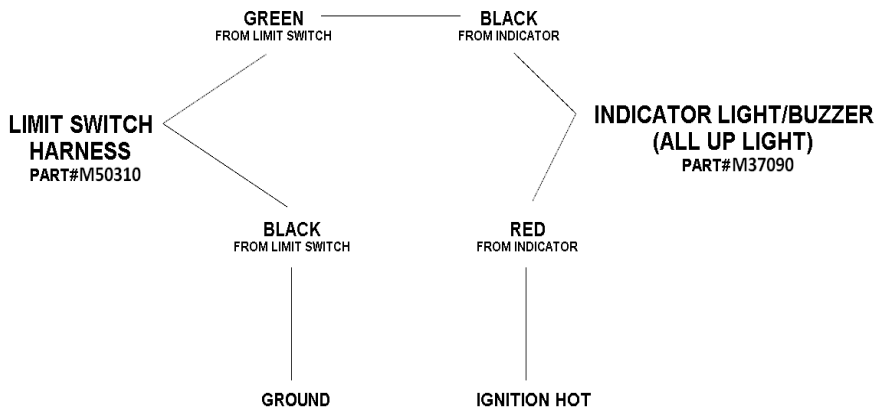
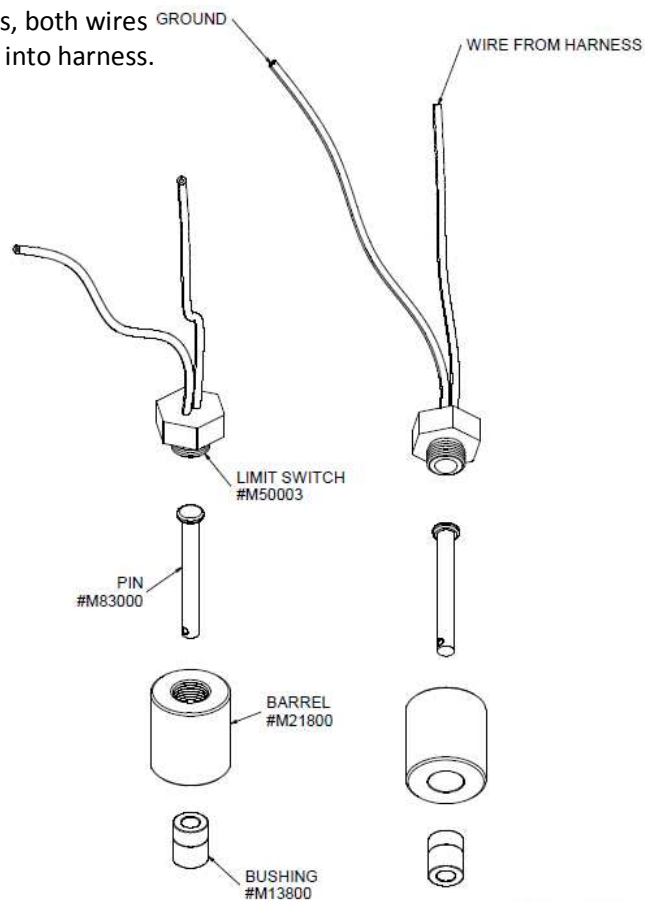
## Installing the 14-Pin Wiring Harness Central Pump Automatic Leveling & Platinum Systems

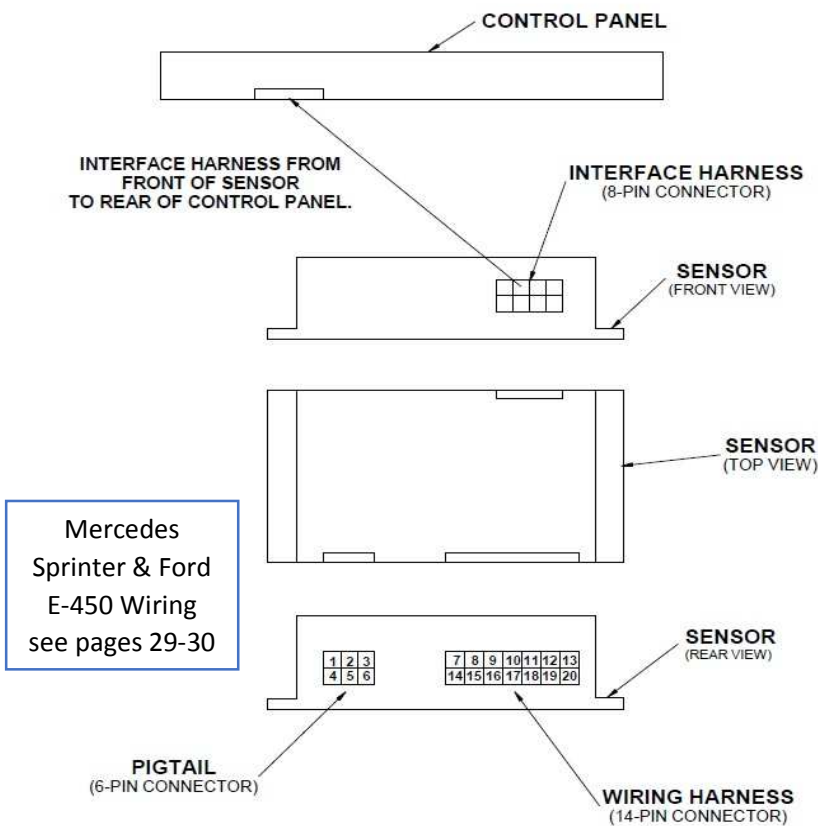
The harness has two ends with plugs; the “panel” end has a 14-pin connector & a 6-pin. This end will need to route to the control panel’s location (usually near front of vehicle near driver’s seat or in wall of cabinet near service door). The other end will have one 14-pin connector that will plug directly into the tank assembly. The rest of the harness has two wires: Black & Tan, both of these wires plug directly into the Limit Switch that you installed previously onto each jack. Attach the wire harness to the frame rail (usually inside of rail with other wiring) with p-clips or zip ties safely routing away from any moving suspension parts or exhaust (complying with RVIA regulations). Example diagram on next page...

## Installing the Limit Switches to the Jacks

Central Pump systems, both wires **GROUND** from limit switch plug into harness.

The **Wireless System** does not have a main wire harness that goes to each jack from the controls, but it does have an optional all-up safety feature complete with limit switches that is routed to each jack. This harness routes to the All-Up indicator that should be mounted near the driver inside the vehicle. The Limit Switch harness has two wires that go to each jack, one green & one black, each wire goes to the wires from the limit switch shown on the right. Wiring the lead wire to the all up indicator is shown below.





### Installing the Automatic Leveling Sensor & Control Panel:

Fasten the sensor to a secure structure (usually the floor) inside the vehicle (not weatherproof) ensure that it is mounted level and the arrow on top of the sensor is facing the correct way. Plug the 14-pin & 6-pin from the harnesses into the back side. The 6-pin connector only has needs the yellow wire to be hooked up. The yellow wire needs to tie into an ignition or accessory hot wire from the vehicle, for the Mercedes chassis, see next page. After doing so attach the interface harness (8-pin connector) to the front of the sensor and attach to the Control Panel. The panel is typically mounted near the side entry door, on a cabinet wall or panel somewhere inside the coach, or inside Quadra’s optional plastic box assembly with the harness loosely coiled behind the driver’s seat.

### Installing the Platinum Control Panel

Plug the 14-pin & 6-pin from the harness into the back side. There is a yellow wire coming from the 6-pin that needs to tie into an ignition hot wire from the vehicle. The panel may be mounted on the dash in a safe location or on a panel somewhere on inside the coach, or inside Quadra’s plastic box assembly with the harness loosely coiled underneath the driver’s seat. **Optional safety feature for Platinum panels**, features an in-line toggle switch to shut power off to the panel to prevent operation while driving down the road from children, etc. Find the red wire from the 6-pin harness that goes to the back of the panel. Cut and splice the included wires to route to the toggle switch that should be located near the Platinum panel for convenience.

### Battery Cable Installation for Central Pump & 2pt Systems

Supplied will be a 4 gauge battery cable that needs to be cut into two pieces.

- The 1<sup>st</sup> to run from the Solenoid power stud (marked BATT+) to the 80 amp breaker AUX stud.
- The 2<sup>nd</sup> to run from the BAT stud on the breaker to the Positive Terminal on the coach’s house battery.

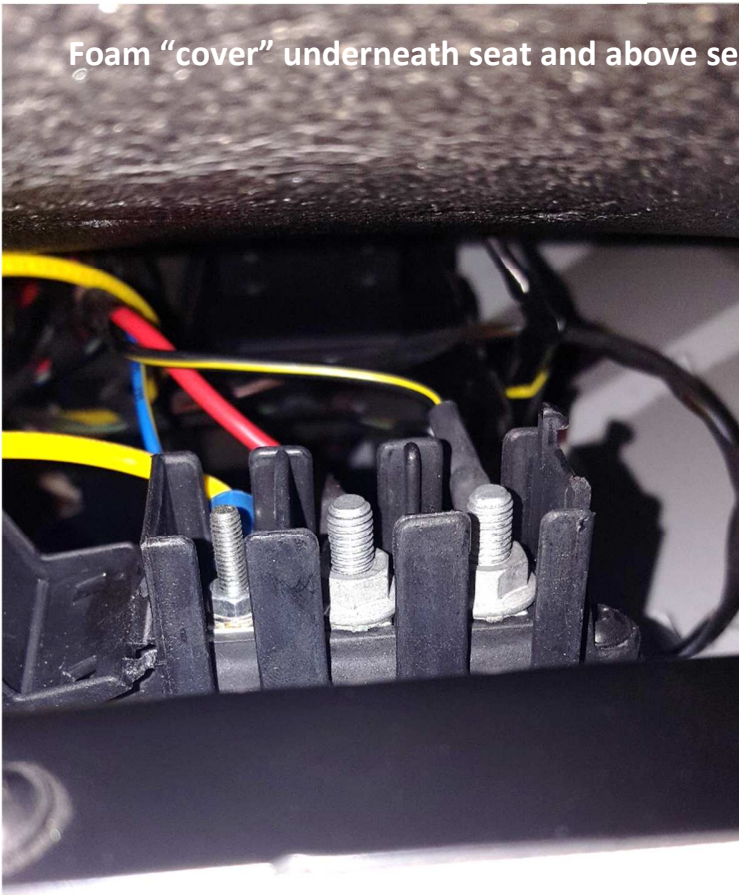
Hooking up the power should be the final wiring step so make sure this is done after all the other electrical work is done for safety. The supplied 80 amp breaker should be securely fastened in the battery box.

### Installing the Wireless Receiver

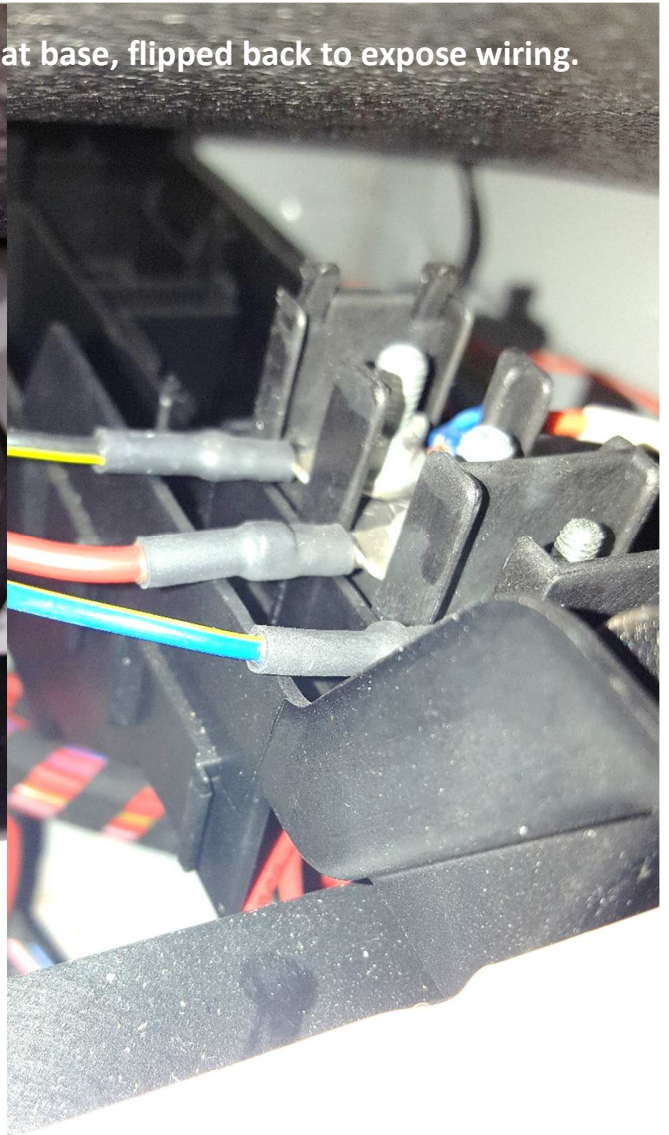
Mount the Wireless Receiver near the tank assembly, check and plug the wiring connector from the receiver to The tank assembly to make sure it reaches, the Receiver is weatherproof but be aware of possible road debris, clear of exhaust and other moving parts.

## Sprinter 3500 chassis cab ignition hot wiring (yellow wire)...

Foam "cover" underneath seat and above seat base, flipped back to expose wiring.



**Top surface of driver seat base**



**Top surface of driver seat base**

Open driver door, facing the outside face of the driver seat, find the steel seat base the seat bolts to. Look at the top of that seat base and flip back a fabric cover from the seat to expose a foam cover over the top of the steel seat base. Flip back cover to expose the wiring shown above. You are looking for the small black plastic case, which can be oriented front to back (pic#1) and left to right (pic#2). Case has a plastic lid that must be opened and flipped back to expose the three posts. As you can see there is one small post and two larger posts. The ignition hot wire is on the furthest large post from the small post, so in pic#1, it is the black with yellow stripe wire, in pic#2 it is also the black with yellow stripe wire. Manufacturer's may use different colored wire, determine ignition wire by the specified post mentioned above not by wire color.

## **Central Pump Final Extend Hose Installation & Bleeding the System**

---

During installation of the hydraulic lines, air is internally captured in the hose. Due to this, bleeding the air out of the system is necessary for the system to work properly. This process is done at the end of installation and requires two people and can be messy, so as a warning make sure you are wearing eye protection and have rags ready to use. Make sure all hose fittings are tight on the pump side and the retract side of the jacks. Extend hose fittings should still be un-installed.

- With person #1 running the panel, go into Manual Mode, all jacks should be fully retracted.
- Person #2 (armed with a 5/8" OR 9/16" wrench, safety glasses, rag and a one gallon container) needs to access the left rear jack and place the un-attached extend hose into the empty container.
- Now person #1 will extend that left rear jack from the panel (press & hold button).
- Fluid & air will be spilling out of the port, once a solid stream of fluid occurs, person #1 will release the button on the panel, after fluid stops flowing person #2 should install the hose fitting to the jack.
- Repeat these steps with the rest of the jacks.
- After doing so, extend all jacks fully and let stand for 15 minutes.
- Then retract all the jacks and remove the tank cover and check your fluid level to verify the fluid in the reservoir is around 1 ¼" below the top (ATF Dexron III) do not fill to the top!

Finally install the tank cover, check that all hardware is tight, the sensor is facing the correct way and is mounted level and the house battery is fully charged.

*In some instances, the front jacks may need to be dis-mounted from underneath the cab to access the top extend ports during the bleeding procedure.*

## **Troubleshooting - Hydraulic Cylinder/Plumbing Related**

---

**What fluid do we use in the system?** Automatic Transmission Fluid Dexron III ATF

**Cylinders running "choppy"...** Bleed the system, if central pump system, try quad pump method first.

**Cylinders make loud "squeaking" noise while operating...** Spray rams with Teflon spray (dry lubricant).

**Hydraulic fluid on footpad or on ground around cylinder...** Loose fitting or broken hydraulic line.

**Cylinders "creep" down or don't hold pressure when lifting/holding coach...**

- Check fluid level, Check for leaks in hydraulic lines/fittings
- Possibly plumbed backwards... (Bottom port on cylinder tube connects to right port on pump, etc.)
- Relief Valves have failed on pump motor... replace motor/tank assembly
- Hydraulic seal failure, check for oil around bottom of cylinder or welds... replace cylinder

## Troubleshooting – No “All Up” Light

---

Auto Leveling/Platinum Control: If the “**All Up**” light is not coming on and you hear the **buzzing sound from your panel when the vehicle ignition is on** it might be a limit switch on one of the jacks. After attempting to retract all four jacks from the panel and doing a visual check to verify that the jacks are indeed retracted but the panel has no “All Up” light. The first step is to extend each jack a few inches and individually retract one at a time. Sometimes the foot pad retracts crooked and doesn’t fully engage the pin. If that doesn’t work, with the jacks fully retracted, press the RETRACT button on the panel and manually pull each limit switch pin up to see if that engages the switch, if the panel shuts the pump off then that limit switch is not engaging properly. To fix this, it could be the foot pad is loose, remove & re-tighten the ¾” nut with a 1 1/16” socket with an impact wrench. If this does not work you can get a “vacuum cap” at your local hardware store for the ¼” diameter pin which extends the length of the pin and completes the circuit.

If you have an “All Up” light but your jacks are NOT fully retracted, we call this a false all up light, this means you have a bad limit switch (they can stick in the “passing” position due to build-up of road debris or rust).

To get you out of a jam or to bypass this... Central pump systems: disconnect the wires to the limit switch, and plug the two wires from the harness that usually go to the limit switch and plug them into each other (black & tan wires) this closes the circuit and allows the jack to be retracted. Quad pump systems: connect the colored wire from the main harness and connect it to the ground wire from the limit switch (or to frame).

## Troubleshooting - Continued...

---

(Auto Leveling) If the **LEFT & RIGHT** lights are flashing that means the program “timed out”, which may mean the coach is on too un-level ground or there was too much movement in the coach during the automatic leveling program. Try again.

If rear jacks are hanging too low to the ground with the jacks retracted fully, check underneath the coach and check to see if the jack can slide up one row of holes. If this can be done, make sure you raise both rear jacks the same height and tighten each mounting bolt to 70 ft/lbs. If your coach is equipped with an airbag system, just increase air pressure slightly to raise the coach.

If a single jack on a central pump system is simply not working properly, the **valve or coil** to that particular jack might be bad. To replace, simply call or go online to order part number **#M35008**.

### **Panel won’t turn on, system won’t run, clicking noise, FRONT & REAR lights flash...**

Battery low, panel won’t turn on = coach battery, the system relies on the house battery. The battery needs to be nearly 100% charged for the system to work, it doesn’t make a difference if the coach is new, that doesn’t mean the battery is fully charged or even good. Batteries don’t charge instantaneously, so one can’t just expect to hook it up to a charger and the system will work immediately, if the battery is good, then the unit might have a ground issue. **Auto systems must un-plug/re-plug the interface cable to clear code on panel regardless.**

### *Panel is on, but pump(s) are not working OR solenoids clicking but pump/motor is not running... Auxiliary Ground Cable*

Sometimes required for heavily coated frames, solenoids need a 10 gauge wire to be attached to one mounting stud for both solenoids on each pump assembly (central or quad) that isn’t working properly to the vehicle’s frame for optimum performance.

## 2pt Stabilizing System: Wireless or Rocker Switch Controls

---

### Wireless Controls



Receiver shown on Left,  
Transmitter shown on Right.

Replacement Transmitter #M37098  
Replacement Transmitter/Receiver #M37029

### Operation:

Depress the on/off button on the transmitter to activate. The blue LED light on the top right corner should turn on. The transmitter should be in the off position when the unit is not in use, but is equipped with a safety feature that shuts off if not being used after 3 minutes.

On the transmitter, press & hold the Extend button to lift your unit to desired height. To lower the unit or fully retract the jack(s) press & hold the Retract button.

The controls on the receiver operate the same as the transmitter.

### Sync Transmitter:

This is usually done by the original installer, but if you have an issue or have a new transmitter follow these simple steps...

Make sure the receiver and the transmitter are off. Enter the "learn mode" by pressing & holding the on/off button on the receiver until the LED light starts to **flash quickly** on the receiver then release.

Now press & hold the on/off button on the transmitter until the LED on the receiver becomes **constant**, then release. Transmitter now "learned".

### Re-Program Receiver:

If you are having issues with your controller at all try this before calling for service...

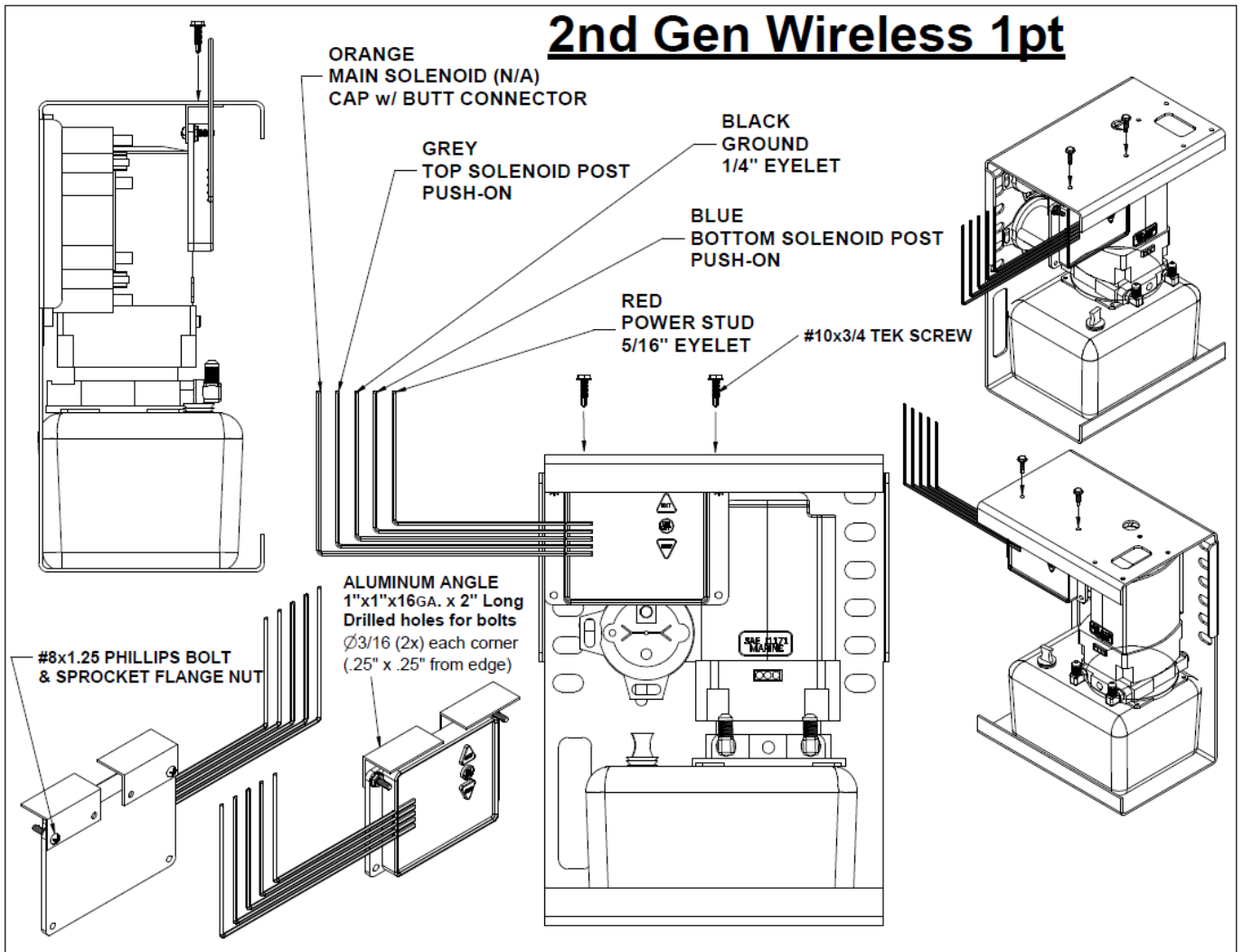
With the transmitter and the receiver off, press & hold the on/off button on the receiver, the LED light will start to flash quickly on the receiver but continue to hold until the light starts to **flash slower**, then release. The receiver module is now cleared of all codes.

Now press & hold the on/off button on the transmitter until the LED on the receiver becomes **constant**, then release. Transmitter now again "learned".

To exit this mode press and release the on/off button on the receiver, the light will become constant. Your controller is now re-programmed and cleared of all error codes.

The Wireless control is wired to the tank assembly and wires are color coded to mate to the extension harness (#M43800 if included). The receiver is podded and can be mounted outside the vehicle, but should be placed where it is easily reached in case if the transmitter is damaged or misplaced, typical placement is inside a storage box wall or inside the tank assembly itself.

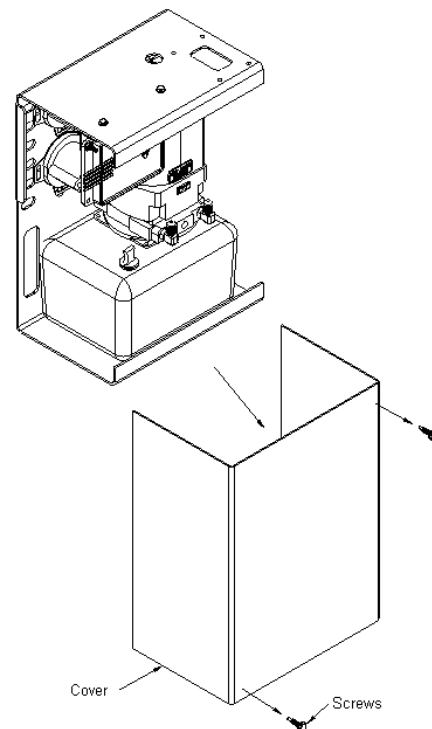
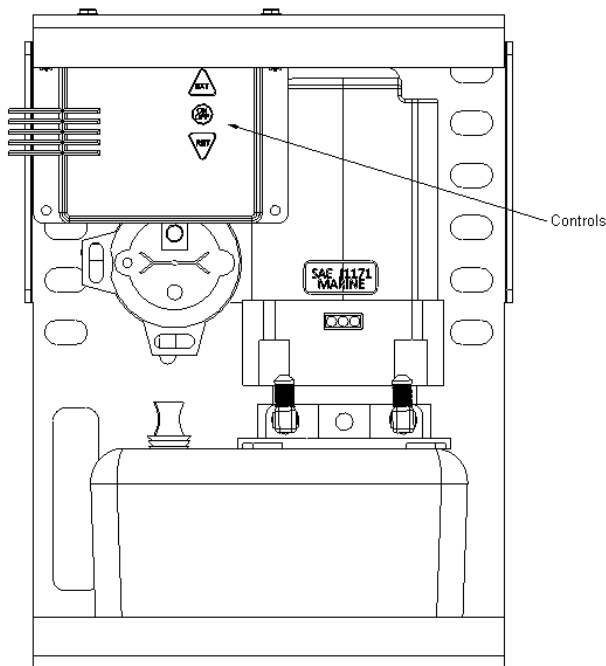
# 2nd Gen Wireless 1pt



## Operating your Jack with the Emergency Controls:

- 1.) Remove cover screws (two)
- 2.) Remove the cover
- 3.) Press ON/OFF switch
- 4.) Press EXTEND or RETRACT

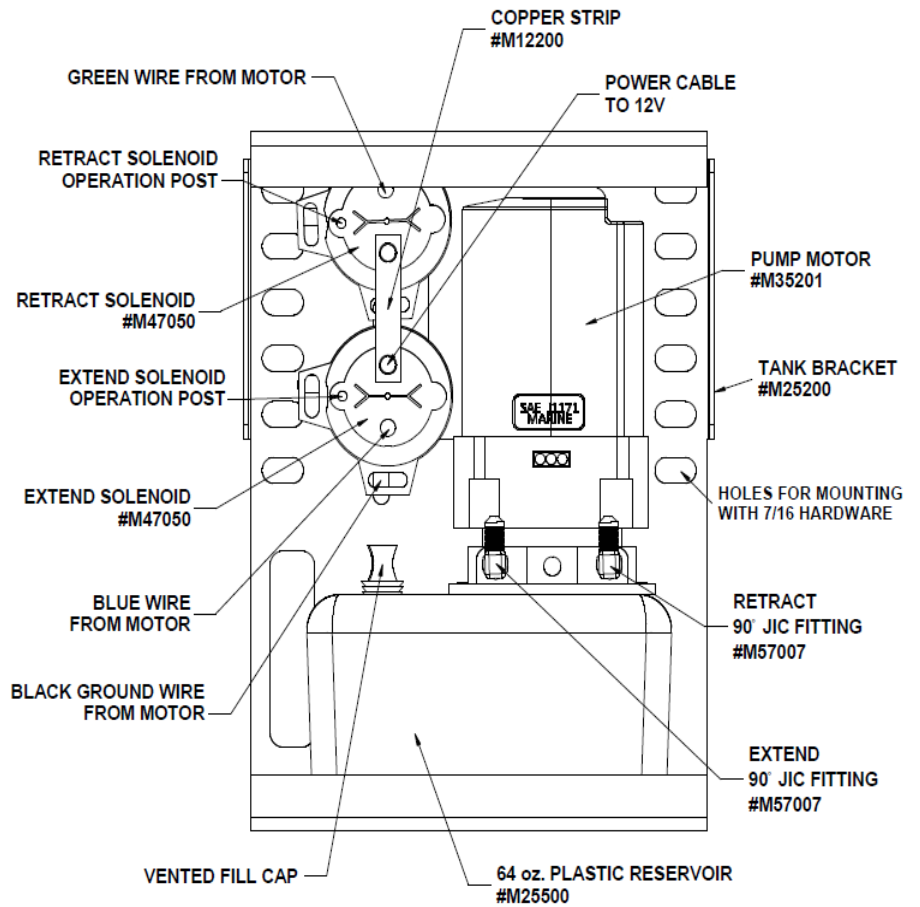
Primary Control for the Jack is your Key Fob, but if that is misplaced, there is still a way out!





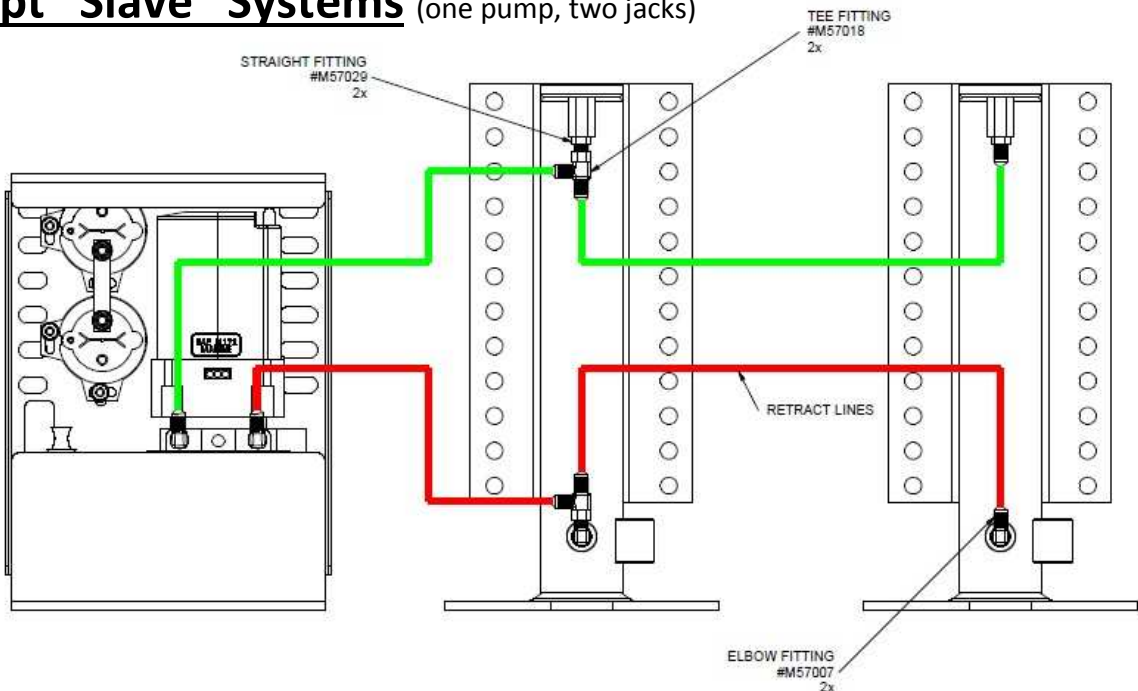
## Rocker Switch Controls

Included is a harness (#M43800) that routes from the tank assembly to the rocker control switch. The red wire is the 12V power, this goes from the power stud on the tank assembly (on copper strip with 5/16" studs from solenoids) to the center post on the switch. The black wire is ground & is not needed for this switch. The grey wire goes from the retract operation post on the retract solenoid to the post labeled "1" on the switch. The blue wire goes from the extend post on the extend solenoid to the post labeled "3" on the switch. The switch is not waterproof & must be installed inside the coach.



## Typical Plumbing

### For 2pt "Slave" Systems (one pump, two jacks)



VERSION #1: (SHOWN) THE "TEE" FITTINGS MOUNTED TO THE DRIVE JACK.

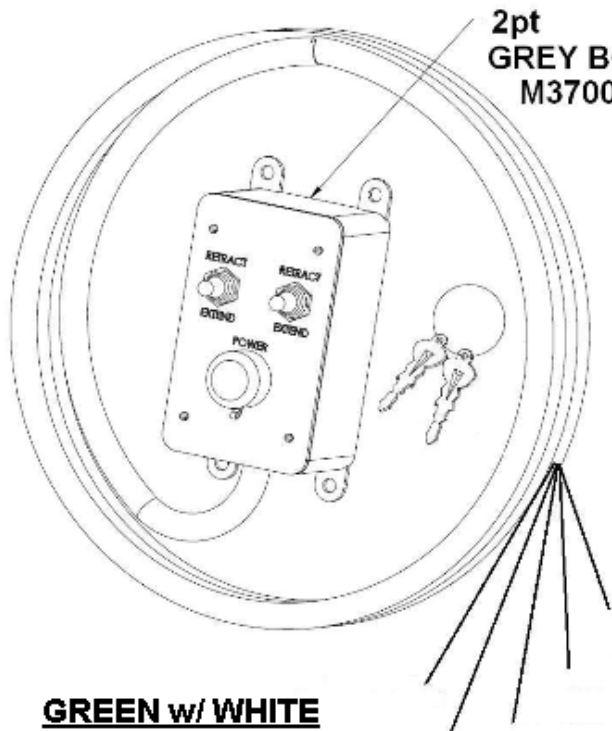
VERSION #2: INCLUDES MOUNTING THE "TEE" FITTINGS TO THE PUMP FITTINGS.

VERSION #3: RUNNING TWO LINES FROM THE PUMP AND PLACING THE "TEE" FITTINGS IN-LINE, THEN RUNNING INDIVIDUAL LINES TO EACH JACK FROM THE "TEE" FITTINGS.

# 2pt Dual Control...

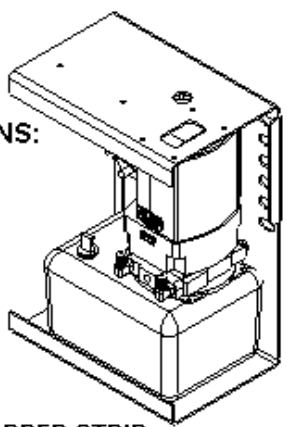
## MEDIUM TANK ASSEMBLY

#M26850



2pt  
GREY BOX  
M37007

OVERALL DIMENSIONS:  
9" WIDE  
12.5" TALL  
5.75" DEEP



**GREEN w/ WHITE  
OR BLUE w/ WHITE  
WIRE FROM BOX**  
RETRACT SOLENOID  
OPERATION POST

**RED WIRE  
FROM BOX**

4 GA. BATTERY CABLE  
ONE END HERE THEN  
TO BREAKER MARKED 'AUX'  
THEN FROM POST MARKED 'BAT'  
TO POSITIVE TERMINAL  
ON BATTERY

**GREEN WIRE  
OR BLUE WIRE  
FROM BOX**  
EXTEND SOLENOID  
OPERATION POST

BLUE WIRE  
FROM MOTOR

BLACK GROUND WIRE  
FROM MOTOR

VENTED FILL CAP

**1pt GREY BOX (#M37022)**  
WIRES UP THE SAME WAY  
(ONLY ONE SWITCH & ONE SET OF WIRES)

64 oz. PLASTIC  
RESERVOIR  
#M25500

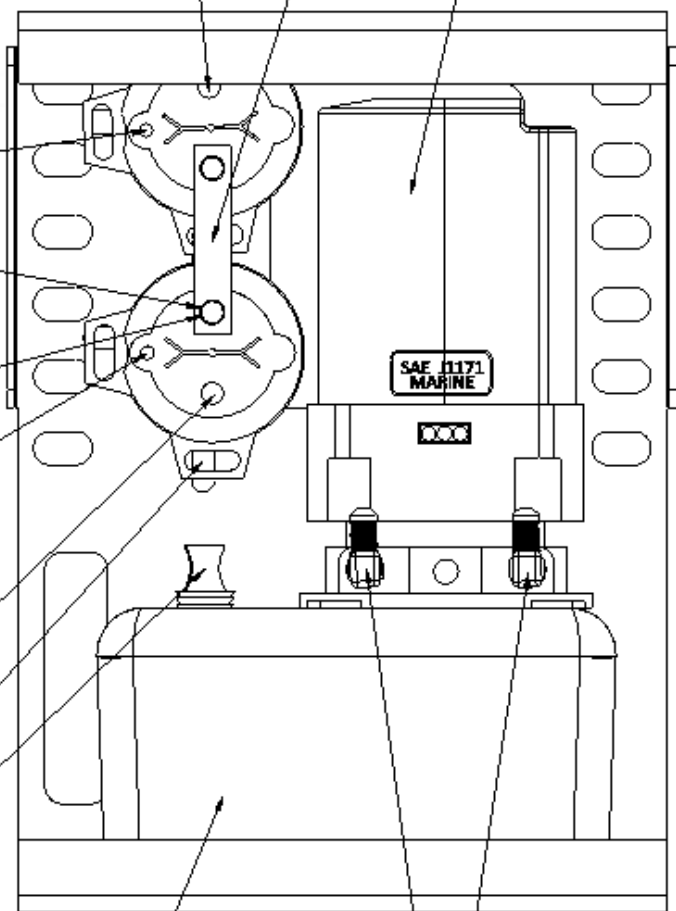
EXTEND  
90° JIC FITTING  
#M57007

RETRACT  
90° JIC FITTING  
#M57007

GREEN WIRE  
FROM MOTOR

COPPER STRIP  
#M12200

PUMP MOTOR  
#M35201



**NOT PICTURED:**

TANK COVER (BLACK TEXTURED PLASTIC) #M12002



5/9/11

# Warranty Guide

---

**Owner must activate warranty! Via Phone or Website**

**OEM Installed Auto Leveling Quad/Central Pump Systems:** 1 year parts and labor.

**Platinum Central Pump System:** 2 years parts and labor.

**Automatic Leveling Central Pump System:** 2 years parts and labor.

**Automatic Leveling Quad Pump System:** Lifetime Cylinders, 2 years parts, 1 year labor.

**Manual Leveling Quad Pump System:** Lifetime Cylinders, 2 years parts, 1 year labor.

**Wireless Central Pump System:** 1 year parts and labor.

**1pt & 2pt Round Leg Stabilizing Systems:** 2 years parts and labor.

Should the product be defective due to workmanship and/or material flaws, we will repair/replace the defective material. **Core charges may be applied and refunded on certain components.**

## **Quadra is NOT responsible for:**

- ▶ **Freight on warranty parts.**
- ▶ **Replacing footpads, bolts, or fluids lost as a result of failure to maintain the system (Loose footpads should be tightened at owner's expense).**
- ▶ **Damages caused by abuse, misuse, negligence, misapplication, error of operation, accidental or purposeful damage or faulty installation. Including but limited to hoses, fittings & wiring components.**
- ▶ **Liability for loss to the vehicle, or apparatus or property, loss of time, manufacturing costs, labor, material, loss of profits, consequential damages (direct or indirect).**
- ▶ **For transportation to and from a service center, onsite service calls to or from the customer, damage from road hazard, loss of salaries, commissions, lodging, towing charges, bus fares, car rentals, fuel expense, telephone charges, inconvenience compensation while repairing or replacing a defective part or material.**

This warranty voids all previous issues. Effective date: 7/1/15

**OWNERSHIP MUST BE REGISTERED WITHIN 30 DAYS FROM THE DATE OF PURCHASE TO ACTIVATE WARRANTY. Do it online at [BIGFOOTLEVELER.com](http://BIGFOOTLEVELER.com)!**

Prior to any work being done an **authorization number must be obtained** by calling 269-483-9633 for Warranty Parts or Service Labor. For full warranty transcript just contact us!

Service labor based on a flat rate schedule determined by Quadra for **authorized** work performed will be reimbursed. This will eliminate much diagnostic time and avoid **refusal of unauthorized claims**. Many problems may be resolved by contacting a Quadra service representative.

**Provide the system serial number here** \_\_\_\_\_.

## **Emergency Service**

For afterhours emergency service please call our normal office number

**269-483-9633** and follow the instructions.