

RMV-40-ZXX and RM-40

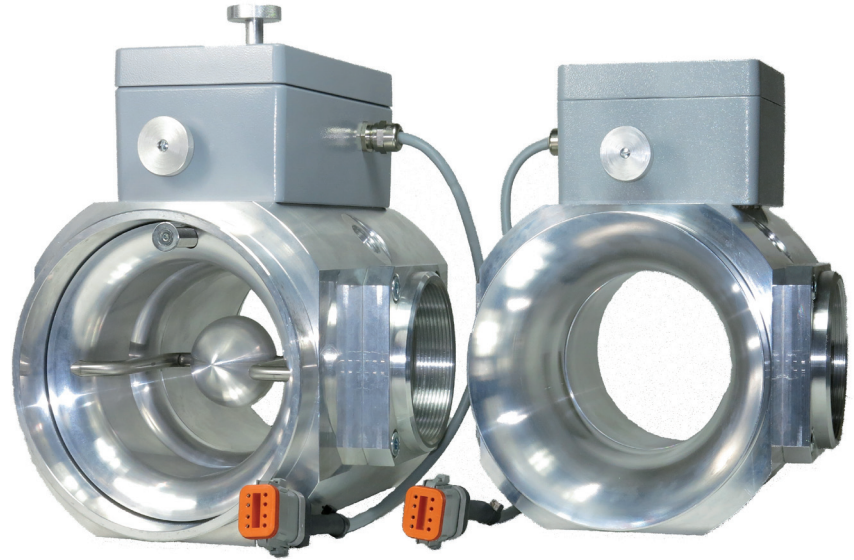
Product Features

- Variable Zeppelin
- Variable Venturi
- Various Zeppelin sizes available
- Accurate gas metering
- Fast response to load transient
- CAN Communication (cominbend with AF-2000)
- Automatic and Manual drive
- RMV-40 25 to 40 litre engine displacement
- Optional status indication as position feedback

Advantage

- 12 and 24 VDC
- IP-67 Protected
- High temperature real contactless position feedback
- Variable Geometry
- Controllable, via: CAN, 0-10 VDC or 4-20mA
- Mounting flange for gas tube is removable for easy external mounting and service
- Has two mounting flanges
- Zeppelin can be swapped without removing the mixer from the engine
- Optional position feedback (RM-40-F-HT)

WITH VARIABLE VENTURI-GEOMETRY



Precise air gas metering

The RMV Mixer is an enhanced sophisticated Air Gas blender based on the approved ring gap principal.

Due to a precise HT-mechanical gear system an accurate Lambda control tolerance smaller than +/- 0.01 is guaranteed.

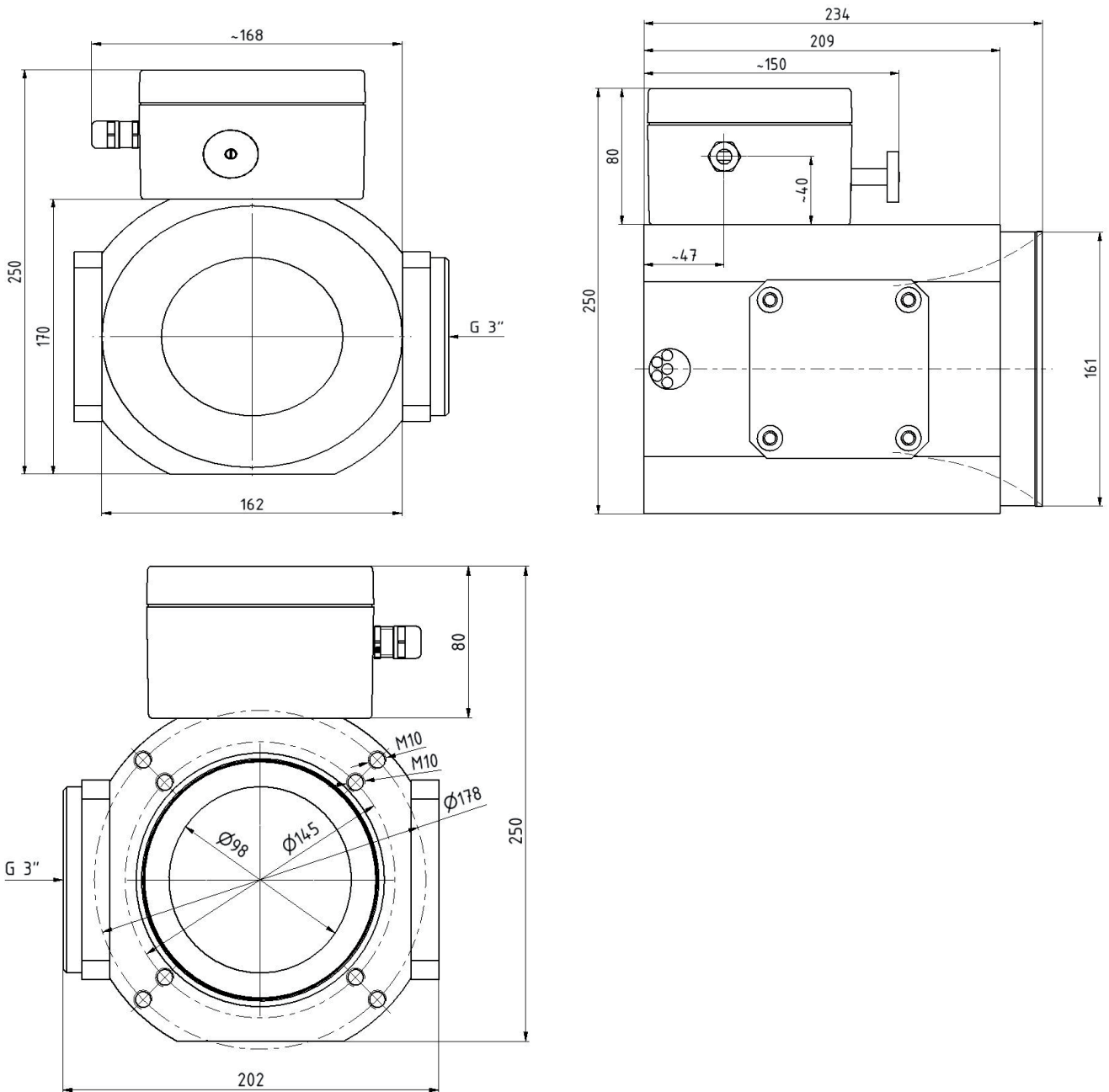
It can be used for different type of engines. Via CAN, 0-10VDC or 4-20mA the mixer can be easily controlled. In combination with the Cuteline Mixer Module it unleashes a powerful way of controlling the air fuel ratio.

Engineering and design has achieved a level which allows using the mixer for Natural, Bio and other gas application. Robustness and environmental protection makes this mixer unique and extremely user friendly.

CAN Bus communication allows flexibility together with HT-DST4602 and the AF-Series control system and cost savings for additional I/O's.

Gas Mixer

Dimensions RM-40



Mating Harness for RM-40:

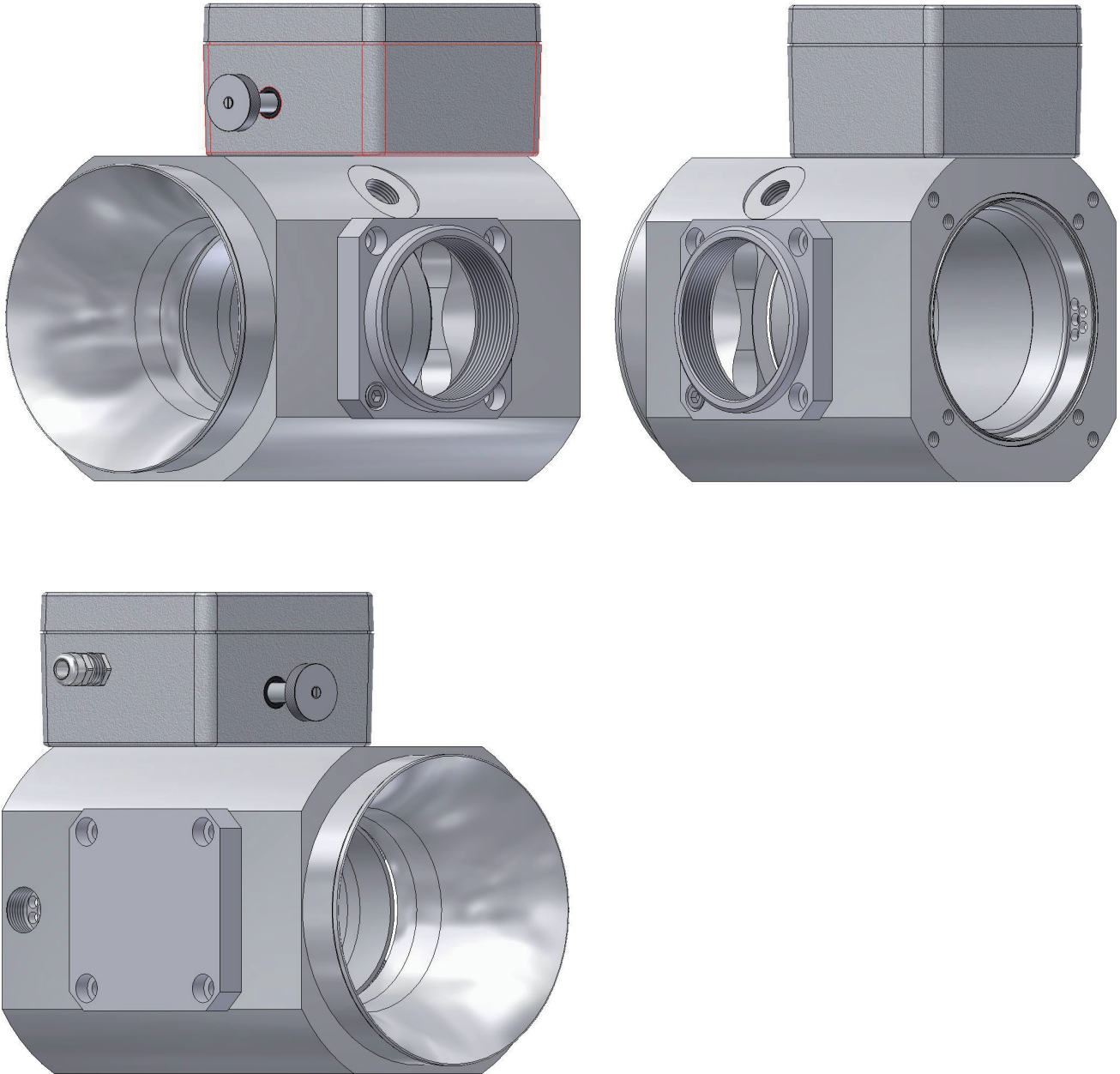
CH-RM-CL-LX (X= Define length) Normally 4 or 7 meter available otherwise specify length

Appropriate Driver Module: No additional driver required, can be driven directly with below mentioned modules.

Appropriate Air Fuel Ratio Controller: HT-CL-AF-1000-LS or HT-CL-AF-1500-P or AF-2000

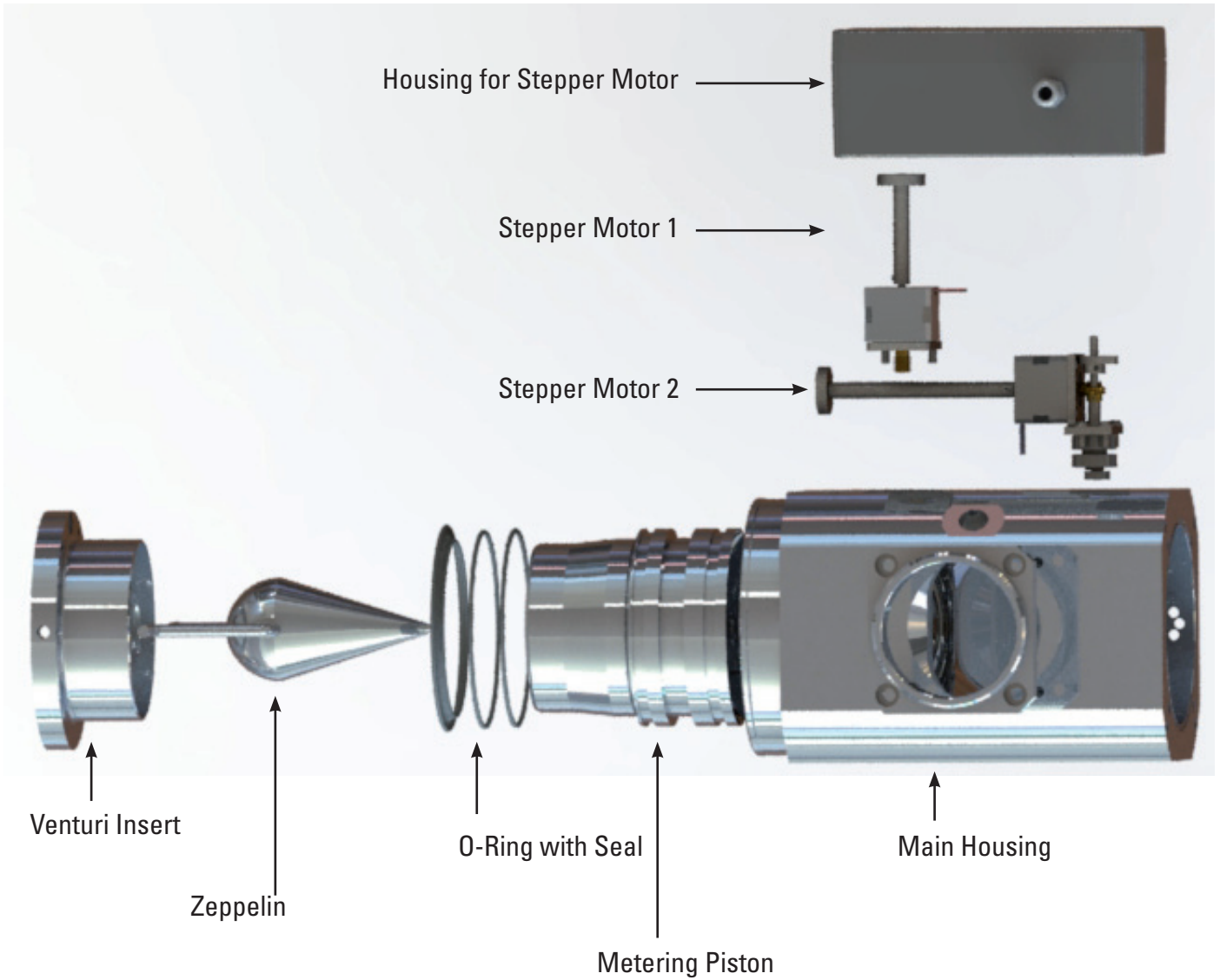
Gas Mixer

3-D View RM-40



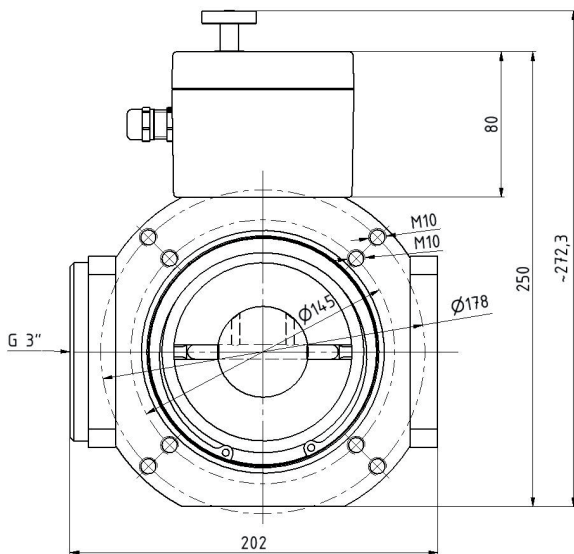
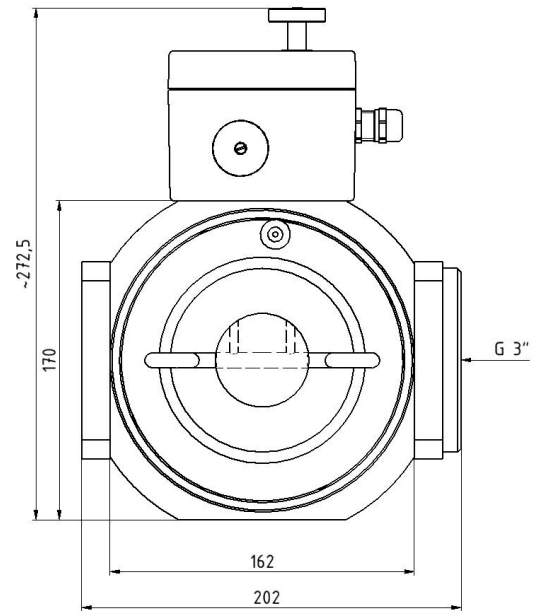
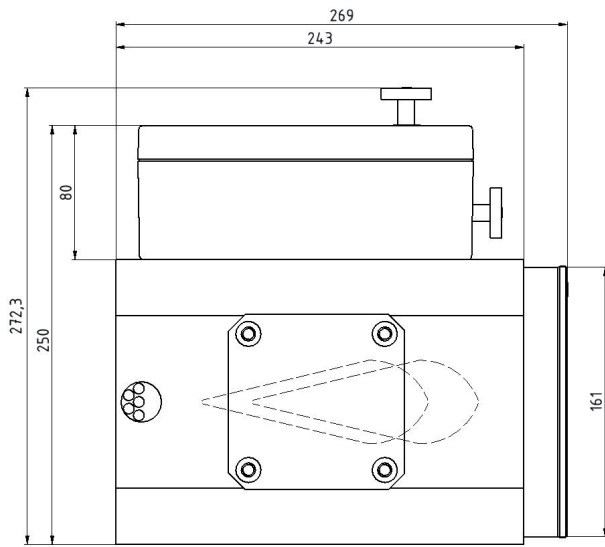
Gas Mixer

Mixer Assembly



Gas Mixer

Dimensions RMV-40-ZXX



Mating Harness for RMV-40-ZXX:

CH-RMV-Z-LX (X= Define length) Normally 4 or 7 meter available otherwise specify length

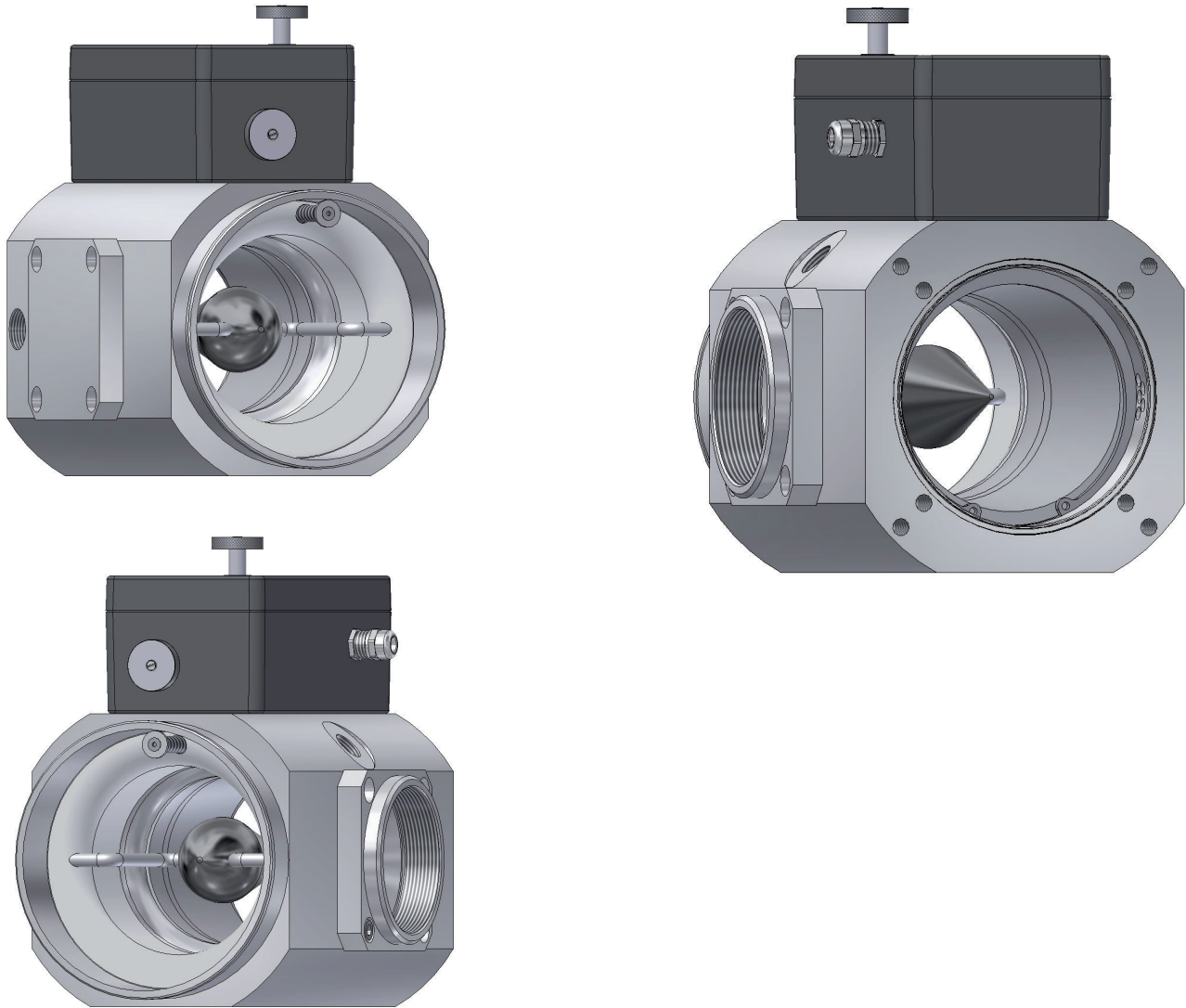
Appropriate Driver Module: HT-CL-MIXRMV, controls both motors.

Appropriate Air Fuel Ratio Controller: HT-CL-AF-1000-LS or HT-CL-AF-1500-P or AF-2000

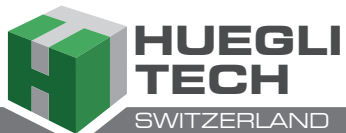
Zeppelin diameter 50mm. Other diameter available

Gas Mixer

3-D View RMV-40-ZXX



Local Distributor / Partner:



HUEGLI TECH AG (LTD)
Murgenthalstrasse 30
4900 Langenthal Switzerland
Phone: +41 62 916 50 30
Fax: +41 62 916 50 35

e-mail: sales@huegli-tech.com
www.huegli-tech.com