

VANA ve ARMATÜRLERİ
VALVES and ARMATURES

DENİZCİLİK SEKTÖR VANALARI
FOR MARINE APPLICATIONS

 **TÜVRheinland**
Precisely Right. ISO 9001:2015

 **BUREAU
VERITAS**

 **TÜRK LOYDU**
TYPE APPROVAL CERTIFICATE

SHOCK TEST
MIL-S-901D
MIL STD 810F/G





1967'den beri...

Since 1967...

Gedik Termovana

Gedik Termovana, bir Gedik Holding kuruluşu olarak, 1967 yılından bu yana endüstrinin ihtiyaç duyduğu orta ve yüksek basınç sınıfı endüstriyel vanalar üretmektedir.

Genel merkezi Pendik/İstanbul'da bulunan Gedik Termovana, Hendek/Sakarya'daki 25.000m² kapalı alanı Gedik İleri Döküm Teknolojileri markası ile paylaşarak, döküm ve vana üretiminin tüm süreçlerini aynı alanda gerçekleştiren entegre bir kuruluştur.

Gedik Termovana, "TERMO" markasıyla pazara sunduğu pik, sfero, çelik, paslanmaz, bronz vanaları ile endüstriyel tesisler, enerji santralleri, su ve arıtma tesisleri, kimya, petrol ve gemi inşa gibi pek çok sektöre üretim yapmaktadır.

Isıtma-soğutma, buhar, kızgın yağ, sıcak su, LPG, doğal gaz, petrol ve her türlü kimyasal akışkan uygulamalarına başarıyla hitap eden Gedik Termovana, kuruluşundan bugüne sürekli gelişerek, yeni teknolojileri yakından takip ederek, birçok ürünün yerli ve milli olarak üretilmesine öncülük etmiştir.

Gedik Termovana kendi markası ile vana üretimlerinin yanı sıra, talep doğrultusunda birçok uluslararası firmalara da farklı tasarımlarda ve markalarla vana üretimlerini yapmakta ve ülkemizin ihracatına katkıda bulunmaktadır.

Gedik Termovana ISO 9001:2015, CE/PED, AD 2000-HP0, ISO 3834-2, WRAS, ürün tip onay sertifikaları ve TSE gibi ulusal ve uluslararası standartlara uygun olarak üretilmekte, Türkiye genelinde 7 Bölge Müdürlüğü, her ile yayılan bayi ve satış sonrası servis ağıyla müşterilerimizin hizmetine sunulmaktadır.

Gedik Termovalve

As a Gedik Holding subsidiary, Gedik Termovalve has been producing medium and high pressure class valves required by the industry since 1967. Gedik Termovalve, headquartered in Istanbul, is an integrated company that performs all processes of casting and valve production together with Gedik Advanced Casting Technologies brand in a closed area of 25.000 m² in Sakarya.

Gedik Termovalve, produces for many sectors such as industrial and power plants, water and treatment plants, chemistry, oil and shipbuilding industries with cast iron, ductile iron, steel, stainless, duplex and bronze valves under the brand name of "TERMO". Gedik Termovalve has continuously developed since its establishment and followed new technologies closely and pioneered the production of many products locally and nationally, successfully addressing heating-cooling, steam, hot oil, hot water, LPG, natural gas, oil and all kinds of chemical fluid applications.

Gedik Termovalve produces valves in different designs and brands to many international companies with their own brands, and contributes to the export of Turkey. Gedik Termovalve producing in Turkey across nine regional offices, each province are presented to our customers with dealers and after-sales service network. Production is carried out in compliance with national and international standards such as ISO 9001:2015, CE/PED, AD 2000-HP0, ISO 3834-2, WRAS, ürün tip onay sertifikaları ve TSE.

KALİTE SERTİFİKALARI QUALITY CERTIFICATES 6-7**DIN NORMU VANALAR/ DIN NORM VALVES 5-51****■ GLOB VANA GRUBU / GLOBE VALVE GROUP9-19**

Glob Valf / Globe Valve	9
Gönye Tip Glob Vana / Angle Type Globe Valve.....	10
Geri Döndürmez Glob (S.D.N.R.) / Non Return Globe Valve.....	11
Gönye Tip Geri Döndürmez Glob (S.D.N.R.) / Angle Type Non Return Globe Valve	12
Glob Vana / Globe Valve	13
Close Globe Vana / Close Glob Valve.....	14
Stop Globe Vana / Stop Glob Valve.....	15
Close Globe Vana / Close Glob Valve.....	16
Daryaka Glob Valf / Short Type Globe Valve	17
Daryaka Geri Döndürmez Glob (S.D.N.R.) / Short Type Non Return Globe Valve	18

■ KÜRESEL VANA GRUBU / BALL VALVE GROUP..... 20-27

İki Parçalı (F4) Küresel Vana Flanşlı / Two Pieces (F4) Ball Valve Flanged.....	21
İki Parçalı (F5) Küresel Vana-Flanşlı / Two Pieces Full Bore Ball Valve-Flanged	22
Tam Geçişli Küresel Vana-Flanşlı / Full Bore Ball Valve-Flanged.....	23
Tam Geçişli Küresel Vana-Dişli / Full Bore Ball Valve-Threaded.....	24
Aktüatörlü Üç Yollu Küresel Vana / Motorised Ball Valve 3 Way (L Type)	25
Küresel Vana Soketli-3 Parçalı / Ball Valve Socket Weld-3 Pieces	26
Kaplinli Yangın Küresel Vana / Ball Valve With Inst BS336 Coupling	27

■ KELEBEK VANA GRUBU / BUTTERFLY VALVE GROUP.....29-33

Kelebek Vana Flanşlı / Butterfly Valve Flanged	29
Kelebek Vana WAFER / Butterfly Valve WAFER	30
Kelebek Vana LUG / Butterfly Valve LUG	31
Kelebek Vana LUG-WAFER / Butterfly Valve LUG-WAFER.....	32

■ SÜRGÜLÜ VANA GRUBU / GATE VALVE.....34-37

Seviye Göstergeli Sürgülü Vana / Gate Valve With Indicator	35
Elastomer Kaplı Sürgülü Vana / Rubber Gate Valve	36

■ ÇEKVALF GRUBU / CHECK VALVE GROUP..... 38-45

Lift Tipi Çekvalf / Lift Type Check Valve	39
Swing Çekvalf / Swing Check Valve	40
Swing Çekvalf / Swing Check Valve	41
Kompakt Flanşlı Çekvalf / Compact Flanged Check Valve.....	42
Wafer Dual Çekvalf / Wafer Type Duo Check Valve.....	43
Disko Çekvalf / Disc Check Valve	44
Wafer Swing Çekvalf / Wafer Swing Check Valve.....	45

■ PİSLİK TUTUCU - ÇAMUR SANDIĞI GRUBU / STRAINER - MUD BOX GROUP.....	46-51
Pislik Tutucu / Strainer	47
Çamur Sandığı L Tip / L Type Mud Box.....	48
Düz Çamur Sandığı / Straight Type Mud Box.....	49
Köşe Çamur Sandığı / Angle Type Mud Box	50
■ YANGIN VANALARI / FIRE VALVES	52-55
Yangın Valfi Düz Tip / Fire Valve Straight Type	53
Yangın Valfi Köşe Tip / Fire Valve Angle Type.....	54
■ DİĞER VANALAR / OTHER VALVES	56-69
Ejekter / Ejector	57
Storm Valf / Storm Valve	58
Gönye Tip Storm Valf / Angle Type Storm Valve	59
Ani Kapama Valfi / Quick Closing Valve	60
Hava Firar Başlığı / Tank Ventilation Head	61
Çiftli Dreyn Vanası / Duplex Drain Valve	62
Basmalı Tekli Dreyn Vanası / Single Drain Valve, Push Down	63
Tekli Dreyn Vanası / Single Drain Valve	64
Ağırlıklı İskandil / Weighted Sound Valve.....	65
Gözetleme Camı / Sight Glass	66
Debi Ayar Valfi / Balance Valve.....	67
Emniyet Ventili-Dişli / Pressure Relief Valve-Threaded.....	69
Basınç Düşürücü-Flanşlı / Pressure Reducing Valve-Flanged	70
VG NORMLU VANALAR / VG NORM VALVES	72-87
■ Glob Vana / Globe Valve	73
Gönye Tip Glob Vana / Angle Type Globe Valve.....	74
Geri Döndürmez Glob (S.D.N.R.) / Non Return Globe Valve.....	75
Gönye Tip Geri Döndürmez Glob (S.D.N.R.) / Angle Type Non Return Globe Valve	76
Tam Geçişli Küresel Vana-Flanşlı / Full Bore Ball Valve-Flanged.....	77
Kelebek Vana LUG / Butterfly Valve LUG	78
Kelebek Vana WAFER / Butterfly Valve WAFER	79
Lift Tipi Çekvalf / Lift Type Check Valve	80
Disko Çekvalf / Disc Check Valve	81
Dual Çekvalf / Wafer Type Duo Check Valve.....	82
Wafer Swing Çekvalf / Wafer Swing Check Valve.....	83
Yangın Valfi Düz Tip / Fire Valve Straight Type	84
Yangın Valfi Köşe Tip / Fire Valve Angle Type.....	85
Pislik Tutucu / Strainer	86
Pislik Tutucu / Strainer	87

Certificate

Standard **ISO 9001:2015**
 Certificate Registr. No. **01 100 2015856**

Certificate Holder: **GEDİK TERMO VANA SAN. VE TİC. A.Ş.**
 Kargalı Hanbaba Mah. 2. OSB, 11 Nolu Yol, No:6
 54300 Hendek/Sakarya -Turkey

Scope: **Manufacturing and Sales of Industrial Valves and Armatures**

Proof has been furnished by means of an audit that the requirements of ISO 9001:2015 are met.

Validity: **The certificate is valid from 2020-10-08 until 2023-10-07. First certification 2020**

2020-10-08

TÜV Rheinland Cert GmbH
 Am Grauen Stein • 51105 Köln

www.tuv.com

CERTIFICATE

Certificate registration number: ZSTS/SWZE/2042

The notified body
 TÜV AUSTRIA SERVICES GMBH (identification number 0408)
 certifies, that the manufacturer
GEDİK TERMO VANA SAN. VE TİC. A.Ş.
2. OSB HENDEK - ADAPAZARI / SAKARYA
 operates a quality assurance system for design, manufacture, final inspection and testing according to Annex III of the Pressure Equipment Directive 2014/68/EU which is subject to surveillance by TÜV AUSTRIA SERVICES GmbH and is therefore authorized to apply the following conformity assessment procedures according Pressure Equipment Directive 2014/68/EU:

Modules E, E1, D, D1, H and H1

Scope: **valves from DN15 PN16 to DN800 PN63**

Based on our audit carried out on August 14, 2020 in accordance with Annex III of the Pressure Equipment Directive 2014/68/EU we certify compliance with the requirements.

Results of the audit are recorded in the audit report
 20-IS-1824-2020-PED-H-H1-023 dated August 14, 2020.

Pressure equipment and assemblies within the scope of this certificate shall carry the marking as illustrated:

CE 0408

This certificate is valid from September 11, 2020 to September 10, 2023 provided that the terms and conditions of the agreement with the notified body are met.

Vienna, 11.09.2020

DI Martin Schwarz
 Notified Body 0408
 TÜV AUSTRIA SERVICES GMBH

ZERTIFIKAT Certificate

Die TÜV AUSTRIA TURK LTD. ŞTİ. bescheinigt, dass die Firma
 The TÜV AUSTRIA TURK LTD. ŞTİ. certifies that

GEDİK TERMO VANA SAN. VE TİC. A.Ş.
 in / of
Sakarya 2. OSB , 11 nolu yol No:6
54300 Hendek-Sakarya, Türkiye
 geprüft wurde und die Anforderungen nach der
 is proved and accords all necessary requirements to

AD 2000-Merkblatt HP0

Die Betriebsüberprüfung erfolgte am: **08.05.2022**
 Date of audit

Der Geltungsbereich und die Einzelheiten der Prüfung sind
 Unserem Bericht zu entnehmen **22-IS-0630 Rev01-TAT-22-AD2000-01**
 The range of validity and details of the inspection can be taken from our
 Report number.

Dieses Zertifikat gilt für folgende Anwendungsbereiche **Industrial Armatures and Valves**
 This certificate is valid for the following products or service ranges:

Gültigkeit bis **07.04.2025**
 Date of expiry

Zertifikat Nr.: **22-IS-0630-TAT-22-AD2000HP0-3542**
 Certificate No.

TÜV AUSTRIA TURK LTD. ŞTİ.
 Çiçek Mahallesi Dinc Sokak. No: 28 PK: 34774 Ümraniye / İstanbul

CERTIFICATE

The certification body of TÜV AUSTRIA SERVICES GMBH
 certifies that

Gedik Termo Vana San. Tic. A.Ş.
Sakarya 2. OSB , 11 nolu yol No:6
54300 Hendek-Sakarya / TÜRKIYE

has met all necessary quality requirements for
 welding according to

EN ISO 3834-2

Date of audit: **11.04.2022**

This certificate is valid for the following products or service ranges:
Industrial Armatures and Valves

Date of expiry: **16.04.2023**

Certificate No.: **HZ-02877-22-TR-OSY**

Failure to meet all these necessary requirements as defined in the annex to this certificate will spoil this document!
 The certificate keeps valid, if the TÜV AUSTRIA SERVICES GMBH performs the annual surveillance.

Leonding **16.05.2022**
 PLACE DATE

Masnak Alexander
 Dipl. Ing.
 CERTIFICATION BODY



Marine & Offshore

Certificate number: 10289/D1 BV
File number: ACM 145/0712/002
Product code: 22231

This certificate is not valid when presented without the full attached schedule composed of 7 sections

www.veristar.com

TYPE APPROVAL CERTIFICATE

This certificate is issued to
GEDİK TERMO VANA SAN. VE TIC. A.Ş.
SAKARYA - TURKEY

for the type of product
CHECK VALVES, NON-RETURN VALVES
Check valves TCVA 13F, TCVA 25F & TCVA 38F

Requirements:
Bureau Veritas Rules for the Classification of Steel Ships

This certificate is issued to attest that Bureau Veritas Marine & Offshore did undertake the relevant approval procedures for the product identified above which was found to comply with the relevant requirements mentioned above.

This certificate will expire on: 14 Dec 2023

For Bureau Veritas Marine & Offshore,
At BV ISTANBUL, on 04 Aug 2020,
Gurcan Yilmaz



This certificate remains valid until the date stated above, unless cancelled or revoked, provided the conditions indicated in the subsequent page(s) are complied with and the product remains satisfactory in service. This certificate will not be valid if the applicant makes any changes or modifications to the approved product, which have not been notified to, and agreed in writing with Bureau Veritas Marine & Offshore. Should the specified regulations or standards be amended during the validity of this certificate, the product(s) issue to be re-approved prior to it/they being placed on board vessels to which the amended regulations or standards apply. This certificate is issued within the scope of the General Conditions of Bureau Veritas Marine & Offshore available on the internet site www.veristar.com. Any Person not a party to the contract pursuant to which this document is delivered may not assert a claim against Bureau Veritas Marine & Offshore for any liability arising out of errors or omissions which may be contained in said document, or for errors of judgement, fault or negligence committed by personnel of the Society or of its Agents in establishment or issuance of this document, and in connection with any activities for which it may provide.

The electronic version is available at: <http://www.veristarm.com/veristarm/jsp/viewPublicPdf.jsp?cid=baajknk3>
BV Mod. Ad.E.530 June 2017 This certificate consists of 3 page(s)



Marine & Offshore

Certificate number: 10288/D1 BV
File number: ACM 145/0712/001
Product code: 22241

This certificate is not valid when presented without the full attached schedule composed of 7 sections

www.veristar.com

TYPE APPROVAL CERTIFICATE

This certificate is issued to
GEDİK TERMO VANA SAN. VE TIC. A.Ş.
SAKARYA - TURKEY

for the type of product
CHECK VALVES, NON-RETURN VALVES WITH POSITIVE MEANS OF CLOSURE
Controlled check valves TCVK-13F, TCVK 25F & TCVK 38F

Requirements:
- BUREAU VERITAS Rules for the Classification of Steel Ships

This certificate is issued to attest that Bureau Veritas Marine & Offshore did undertake the relevant approval procedures for the product identified above which was found to comply with the relevant requirements mentioned above.

This certificate will expire on: 14 Dec 2023

For Bureau Veritas Marine & Offshore,
At BV ISTANBUL, on 04 Aug 2020,
Gurcan Yilmaz



This certificate remains valid until the date stated above, unless cancelled or revoked, provided the conditions indicated in the subsequent page(s) are complied with and the product remains satisfactory in service. This certificate will not be valid if the applicant makes any changes or modifications to the approved product, which have not been notified to, and agreed in writing with Bureau Veritas Marine & Offshore. Should the specified regulations or standards be amended during the validity of this certificate, the product(s) issue to be re-approved prior to it/they being placed on board vessels to which the amended regulations or standards apply. This certificate is issued within the scope of the General Conditions of Bureau Veritas Marine & Offshore available on the internet site www.veristar.com. Any Person not a party to the contract pursuant to which this document is delivered may not assert a claim against Bureau Veritas Marine & Offshore for any liability arising out of errors or omissions which may be contained in said document, or for errors of judgement, fault or negligence committed by personnel of the Society or of its Agents in establishment or issuance of this document, and in connection with any activities for which it may provide.

The electronic version is available at: <http://www.veristarm.com/veristarm/jsp/viewPublicPdf.jsp?cid=um4pc10m5>
BV Mod. Ad.E.530 June 2017 This certificate consists of 3 page(s)



This certifies that

GEDİK TERMO VANA SAN TIC.A.S

has had the undermentioned product(s) examined, tested and certified as being of an appropriate quality and standard as required in the Water Supply (Water Fittings) Regulations and Scottish Water Byelaws, subject to scheme requirements being met when installed.

Model Numbers

**EVA- DBFV DN100, DN125, DN150, DN250, DN350, DN450, DN500, DN600
DN700, DN800, DN900, DN1000, DN1100, DN1200, DN1300, DN1400, DN1500
DN1600, DN1800 SERIES BUTTERFLY VALVES**

The certificate by itself is not evidence of a valid WRAS Approval. Confirmation of the current status of an approval must be obtained from the WRAS Approvals Directory (www.wras.co.uk/directory)

The product so mentioned will be valid until the end of:

September 2024

Certificate No.
1909110

Ian Hughes,
WRAS Approvals Manager



This certifies that

GEDİK TERMO VANA SAN TIC.A.S

has had the undermentioned product(s) examined, tested and certified as being of an appropriate quality and standard as required in the Water Supply (Water Fittings) Regulations and Scottish Water Byelaws, subject to scheme requirements being met when installed.

Model Numbers

**EVA- RSGV SERIES RESILIENT SEATED GATE VALVES (PN16): DN50, DN100
DN150, DN200, DN250, DN300, DN350, DN400, DN500, DN600**

The certificate by itself is not evidence of a valid WRAS Approval. Confirmation of the current status of an approval must be obtained from the WRAS Approvals Directory (www.wras.co.uk/directory)

The product so mentioned will be valid until the end of:

September 2024

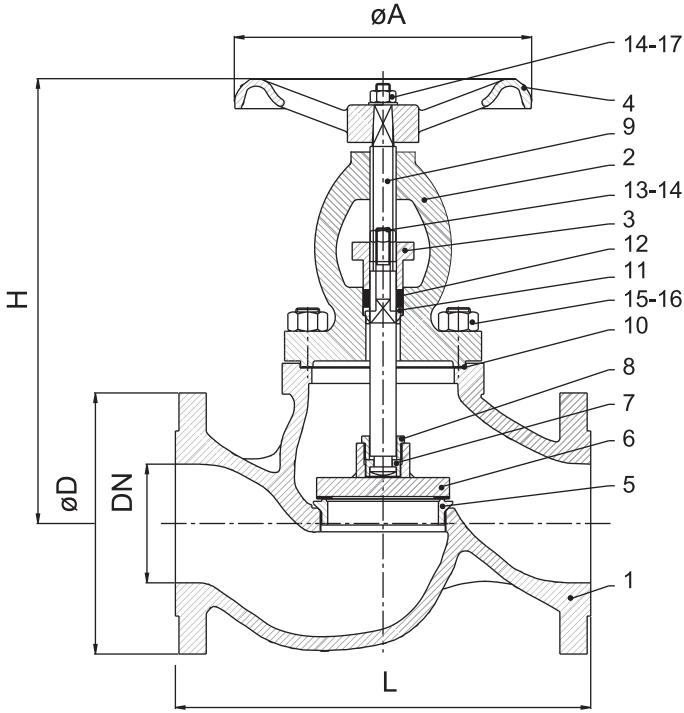
Certificate No.
1909111

Ian Hughes,
WRAS Approvals Manager

GLOB VANA GRUBU

GLOBE VALVE GROUP

Glob Valf Globe Valve	9
Gönye Tip Glob Vana Angle Type Globe Valve	10
Geri Döndürmez Glob (S.D.N.R.) Non Return Globe Valve	11
Gönye Tip Geri Döndürmez Glob (S.D.N.R.) Angle Type Non Return Globe Valve	12
Stop Glob Vana Stop Globe Valve	13
Dişli (Close) Globe Vana Close Glob Valve	14
Stop Globe Vana Stop Glob Valve	15
Dişli (Close) Globe Vana Close Glob Valve	16
Daryaka Glob Valf Short Type Globe Valve	17
Daryaka Geri Döndürmez Glob (S.D.N.R.) Short Type Non Return Globe Valve	18


Parça Listesi / Part List

Poz No	Parça Adı Part Name	Malzeme Material
01	Gövde / Body	CuSn10/GG25/GGG40.3/GSC25
02	Kapak / Bonnet	
03	Baskı / Gland	
04	Volan / Handwheel	Dökme Demir / Çelik Cast Iron / Steel GG25 / ST 37
05	Sit / Seat	Paslanmaz Çelik / Stainless Steel 1.4021/1.4057
06	Klape / Disc	Paslanmaz Çelik / Stainless Steel DN 15-50 1.4021 DN 65-300 ST42+1.4021
07	Ay Pulu / Two Part Ring	Çelik / Steel / ST 42
08	Klape Rekoru / Disc Nut	Paslanmaz Çelik / Stainless Steel 1.4021
09	Mil / Stem	Paslanmaz Çelik / Stainless Steel 1.4021
10	Kapak Contası / Gasket	Asbetsiz Conta / Asbestos Free
11	Mil Yatağı / Stem Guide	Pirinç / Brass MS58
12	Ring / Packing	Saf Grafit / Pure Grafit
13	T Başlı Cıvata / T Stud	CK 35
14	Somun / Nut	Çelik / Steel
15	Saplama / Stud	CK 35
16	Somun / Nut	Çelik / Steel
17	Düz Pul / Washer	Çelik / Steel

Uygulamalar / Applications:

- Buhar / Steam
- Kızgın Su / Hot Water
- Deniz Suyu / Sea Water
- Hava ve diğer Nötr Akışkanlar
Air and other Neutral Fluids

Çalışma Şartları / Working Conditions:

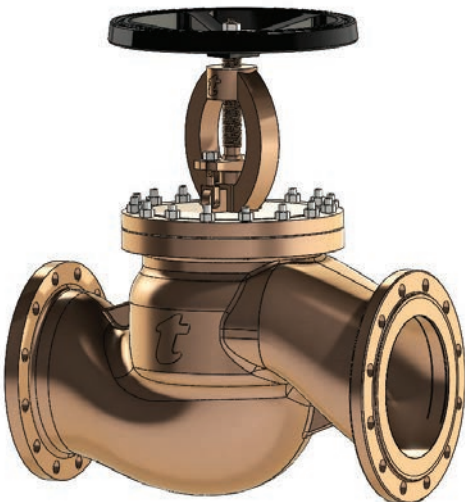
- DIN 2401'e göre / As per DIN 2401

Bağlantılar / Ends:

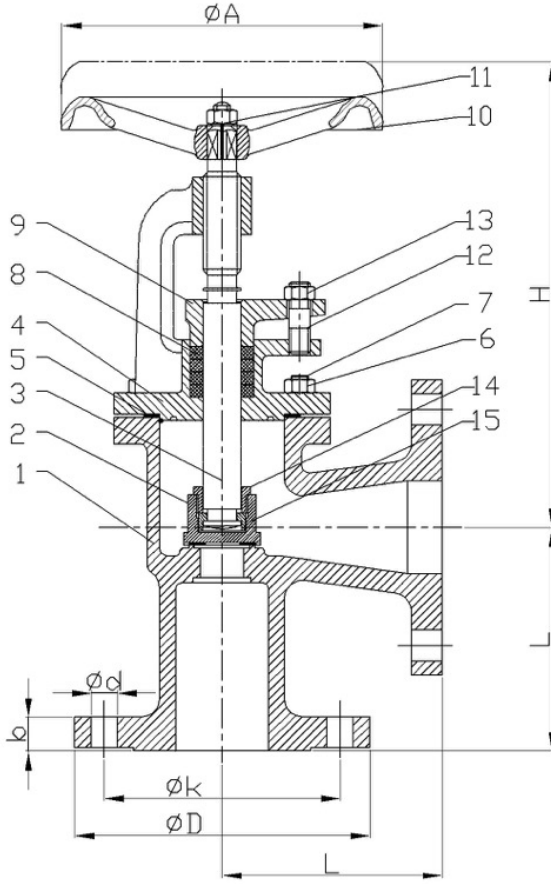
- DIN 2501'e göre flanşlı (DIN EN 1092) PN 16 (DIN 2533)
Flanged as per DIN 2501 (DIN EN 1092) PN 16 (DIN2533)

Vana Boyu / Face to face:

- DIN3202-F1 (DIN EN 558-1)


Boyutlar / Dimensions

DN	Size	L	H	øA	øD	AĞIRLIK Weight
15	1/2"	130	211	103	95	4,4
20	3/4"	150			105	5
25	1"	160	226	122	115	6,6
32	1 1/4"	180			140	8,8
40	1 1/2"	200	256	160	150	12
50	2"	230			165	14,2
65	2 1/2"	290	299	180	185	21
80	3"	310			200	27
100	4"	350	387	250	220	40
125	5"	400			250	65
150	6"	480	480	325	285	85
200	8"	600			340	142
250	10"	730	720	525	405	254
300	12"	850			460	374


Parça Listesi / Part List

Poz No	Parça Adı / Part Name	Malzeme / Material
01	Gövde / Body	CuSn10/GG25/GGG40.3/GSC25
02	Klape / Disc	Paslanmaz Çelik / Stainless steel DN 15-50 1.4021 DN 65-300 st42+1.4021
03	Mil / Stem	Paslanmaz Çelik / Stainless Steel 1.4021 / 1.4301
04	Kapak / Bonnet	Dökme Demir / Cast Iron EN-JL 1040 / GG 25
05	Kapak Contası / Gasket	Astbestsiz Conta / Asbestos Free
06	Somun / Nut	TS 1026/2
07	Saplama / Stud	CK 35
08	Ring	Saf Grafit / Pure Graphite
09	Baskı / Gland	Dökme Demir / Cast Iron GG25
10	Volan / Handwheel	Dökme Demir / Çelik Cast Iron / Steel GG25 / ST 37
11	Somun / Nut	Çelik / Steel
12	Saplama / Stud	CK 35
13	Somun / Nut	Çelik / Steel
14	Klape Rekoru / Disc Nut	Paslanmaz Çelik / Stainless Steel 1.4021
15	Ay Pulu / Two Part Ring	Çelik / Steel st 42

Uygulamalar / Applications:

- Buhar / Steam
- Kızgın Su / Hot Water
- Deniz Suyu / Sea Water
- Hava ve diğer Nötr Akışkanlar
Air and other Neutral Fluids

Çalışma Şartları / Working Conditions:

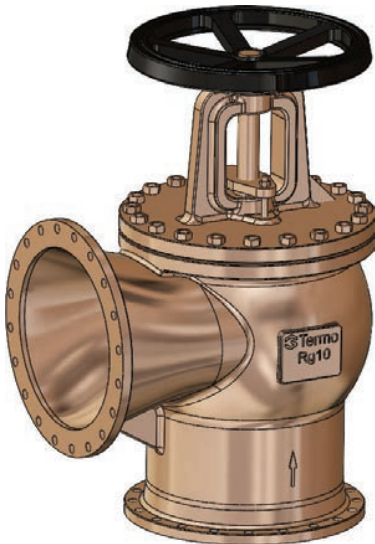
- DIN 2401'e göre / As per DIN 2401

Bağlantılar / Ends:

- DIN 2501'e (DIN EN 1092) göre flanşlı PN 16 (DIN2533)
Flanged as per DIN 2501 (DIN EN 1092) PN 16 (DIN2533)

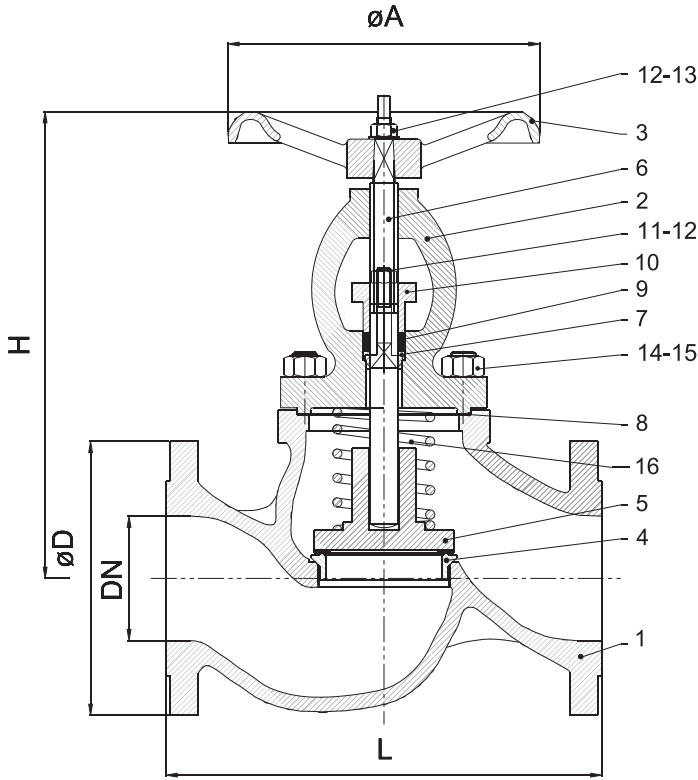
Vana Boyu / Face to face:

- DIN 3202-F32 (DIN EN 558-1)


Boyutlar / Dimensions

DN	Size	L	H	ØA	ØD	Øk	b	ød	AĞIRLIK / Weight
15	1/2"	90	250	103	95	65	14	14	3,95
20	3/4"	95			105	75	16		4,75
25	1"	100	260	122	115	85	18		5,5
32	1 1/4"	105	265	160	140	100	20	19	7,65
40	1 1/2"	115	275		150	110			9,9
50	2"	125	290	165	125	12,8			
65	2 1/2"	145	295	180	185	145	24	23	18
80	3"	155	360	195	200	160			27,5
100	4"	175	380	250	220	180	22	28	42
125	5"	200	475		250	210			61,4
150	6"	225	515	325	285	240			24
200	8"	275	615	360	340	295	26	28	150
250	10"	325	700	525	405	355			277
300	12"	375	745		460	410	28	v	
350	14"	425		525	520	470	36	26	
400	16"	475		525	580	525	38	30	
500	20"	575			670	620	28	26	
600	24"	675			780	725	34	30	

NOT : DN 600 çapa kadar üretimimiz mevcuttur.
NOTE : Up to DN 600 available.


Parça Listesi / Part List

Poz No	Parça Adı Part Name	Malzeme Material
01	Gövde / Body	CuSn10/GG25/GGG40.3/GSC25
02	Kapak / Bonnet	
03	Volan / Handwheel	Dökme Demir / Çelik Döküm Cast Iron / Cast Steel GG 25 / ST 37
04	Sit / Seat	Paslanmaz Çelik / Stainless Steel 1.4021 / 1.4057
05	Klape / Disc	Paslanmaz Çelik / Stainless Steel DN 15-50 1.4021 DN 65-300 ST42+1.4021
06	Mil / Stem	Paslanmaz Çelik / Stainless Steel 1.4021 / 1.4301
07	Mil Yatağı / Stem Guide	Pirinç / Brass MS58
08	Kapak Contası / Gasket	Asbetsiz Conta / Asbestos Free
09	Ring	Saf Grafit / Pure Graphite
10	Baskı / Gland	Dökme Demir / Cast Iron EN-JL 1040 / GG 25
11	T Başlı Cıvata / T Stud	CK 35
12	Somun / Nut	TS 1026/2
13	Düz Pul / Washer	Çelik / Steel
14	Saplama / Stud	CK 35
15	Somun / Nut	TS 1026/2
16	Yay / Spring	Yay Çeliği / Spring Steel

Uygulamalar / Applications:

- Buhar / Steam
- Kızgın Su / Hot Water
- Deniz Suyu / Sea Water
- Hava ve diğer Nötr Akışkanlar
Air and other Neutral Fluids

Çalışma Şartları / Working Conditions:

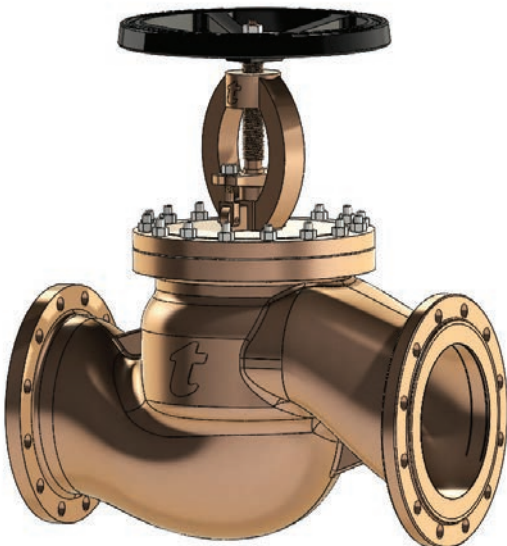
- DIN 2401'e göre / As per DIN 2401

Bağlantılar / Ends:

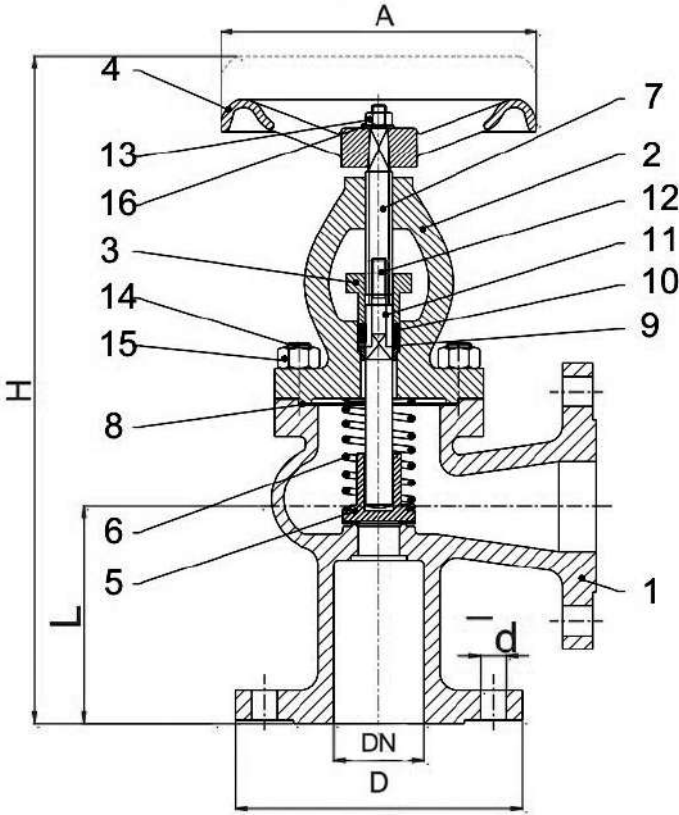
- DIN 2501'e göre flanşlı (DIN EN 1092) PN 16 (DIN 2533)
Flanged as per DIN 2501 (DIN EN 1092) PN 16 (DIN2533)

Vana Boyu / Face to face:

- DIN3202-F1 (DIN EN 558-1)


Boyutlar / Dimensions

DN	Size	L	H	øA	øD	AĞIRLIK Weight
15	1/2"	130	211	103	95	3,95
20	3/4"	150			105	5
25	1"	160	226	122	115	6,6
32	1 1/4"	180			140	8,8
40	1 1/2"	200	256	160	150	12,2
50	2"	230			165	14,4
65	2 1/2"	290	299	180	185	20,8
80	3"	310			200	28
100	4"	350	387	250	220	41,4
125	5"	400			250	66,6
150	6"	480	480	325	285	84,4
200	8"	600			340	146
250	10"	730	720	525	405	277
300	12"	850			460	385


Parça Listesi / Part List

Poz No	Parça Adı Part Name	Malzeme Material
01	Gövde / Body	CuSn10/GG25/GGG40.3/GSC25
02	Kapak / Bonnet	
03	Baskı / Gland	Dökme Demir / Cast Iron GG 25 DIN 0.6025
04	Volan / Handwheel	Dökme Demir / Çelik Döküm Cast Iron / Cast Steel GG 25 / GS-C 25
05	Klape / Disc	Paslanmaz Çelik / Stainless Steel DN 15-50 1.4301 DN 65-300 st42+1.4021
06	Yay / Spring	Yay Çeliği / Spring Steel
07	Mil / Stem	Paslanmaz Çelik / Stainless Steel 1.4021 / 1.4301
08	Kapak Contası / Gasket	Astbestsiz Conta / Asbestos Free
09	Mil Yatağı / Spindle Guide	Pirinç / Brass MS 58
10	Salmastra / Packing	Saf Grafit / Pure Graphite
11	T Başlı Cıvata / T Stud	CK 35
12	Somun / Nut	CK 35
13	Somun / Nut	CK 35
14	Saplama / Stud	CK 35
15	Somun / Nut	CK 35
16	Düz Pul / Washer	Çelik / Steel

Uygulamalar / Applications:

- Buhar / Steam
- Kızgın Su / Hot Water
- Deniz Suyu / Sea Water
- Hava ve diğer Nötr Akışkanlar
Air and other Neutral Fluids

Çalışma Şartları / Working Conditions:

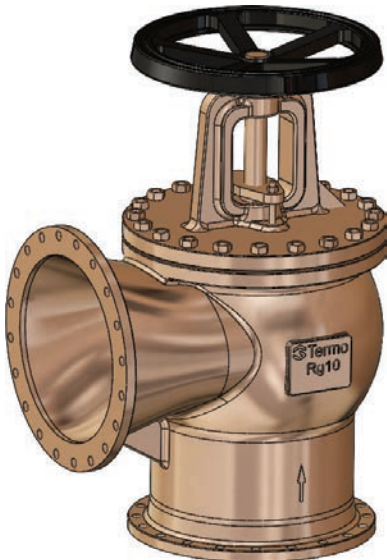
- DIN 2401'e göre / As per DIN 2401

Bağlantılar / Ends:

- DIN 2501'e (DIN EN 1092) göre flanşlı PN 16 (DIN2533)
Flanged as per DIN 2501 (DIN EN 1092) PN 16 (DIN2533)

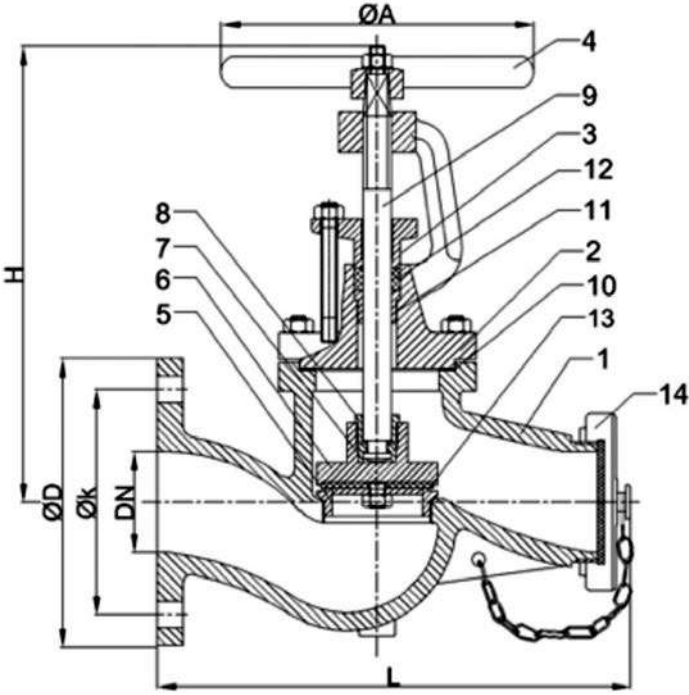
Vana Boyu / Face to face:

- DIN 3202-F32 (DIN EN 558-1)

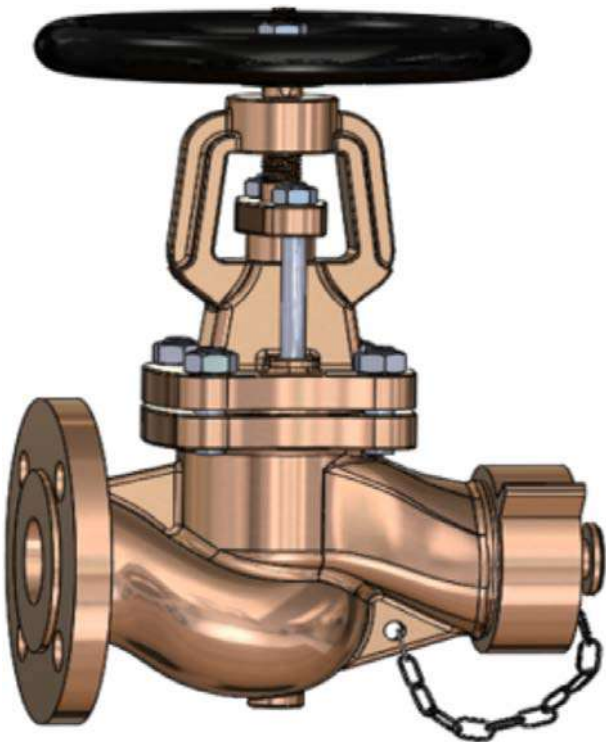

Boyutlar / Dimensions

DN	Size	L	H	øA	øD	øk	b	ød	AÇIRLIK Weight
15	1/2"	90	250	103	95	65	14	14	3,95
20	3/4"	95			105	75	4,75		
25	1"	100	260	122	115	85	16	19	5,5
32	1 1/4"	105	265		140	100	18		7,65
40	1 1/2"	115	275	160	150	110	20	19	9,9
50	2"	125	290		165	125			12,8
65	2 1/2"	145	295	180	185	145	22	23	18
80	3"	155	360	195	200	160			27,5
100	4"	175	380	250	220	180	24	28	42
125	5"	200	475		250	210			61,4
150	6"	225	515	325	285	240	26	28	81,5
200	8"	275	615	360	340	295			150
250	10"	325	700	525	405	355	28	30	277
300	12"	375	745		460	410			28
350	14"	425		525	520	470	36	26	
400	16"	475		525	580	525	38	30	
500	20"	575			670	620	28	26	
600	24"	675			780	725	34	30	

NOT : DN 600 çapa kadar üretimimiz mevcuttur.
NOTE : Up to DN 600 available.


Parça Listesi / Part List

Poz No	Parça Adı Part Name	Malzeme Material
01	Gövde / Body	Bronz Rg10 (G-CuSn10Zn)
02	Kapak / Bonnet	Bronz Rg10 (G-CuSn10Zn)
03	Baskı / Gland	Bronz Rg10 (G-CuSn10Zn)
04	Volant / Handwheel	Dökme Demir / Çelik Cast iron / Steel
05	Sit / Seat	Bronz Rg10 (G-CuSn10Zn)
06	Klape / Disc	Al-Bronz (CuAl10Ni)
07	Ay Pulu / Two Part Ring	Bronz Rg10 (G-CuSn10Zn)
08	Klape Rekoru Disc nut	Bronz Rg10 (G-CuSn10Zn)
09	Mil / Spindle	Al-Bronz (CuAl10Ni)
10	Kapak Contası Gasket	Asbestsiz conta Asbestos free
11	Mil Yatağı / Spindle guide	Bronz Rg10 (G-CuSn10Zn)
12	Ring / Ring	Saf Grafit Pure graphite
13	Lastik / Lastic	EPDM
14	Rakor / Nut	Rg10


Flanş Bağlantılar/ Flange Connections:

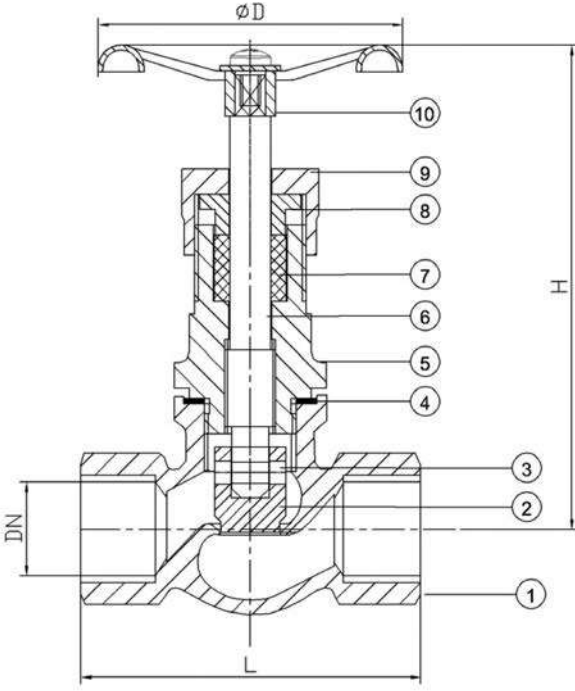
- DIN EN 1092-2 PN16 Type A (Flat face)

Testler / Test:

- TS EN 12266-1

Boyutlar / Dimensions

DN	Size	L	H	A	ØD	Øk	D1
40	1 1/2"	213	238	127	150	110	1 1/2" - 11.1/2" NPSH
65	2 1/2"	305	298,2	200	185	145	2 1/2" - 7.1/2" NH


Parça Listesi / Part List

Poz No	Kod Code	Parça Adı Part Name	Malzeme Material
01	H3D-01	Gövde / Body	Bronz RG5- Rg10
02	T0D-06	Klape / Disc	PTFE
03	207-38	Pim / Pin	Paslanmaz Çelik Stainless Steel
04	T0D-90	Kapak Contası / Bonnet Gasket	PTFE
05	H3D-02	Kapak / Bonnet	Bronz Rg5-Rg10
06	60D-08	Mil / Stem	Paslanmaz Çelik / Stainless Steel 316
07	000-49	Ring / Ring	Grafit / Graphite)
08	90D-03	Baskı / Gland	Pirinç / Brass MS58
09	90Y-40	Rakor / Nut	Pirinç / Brass MS58
10	K0D-04	Volant / Handwheel	ST37

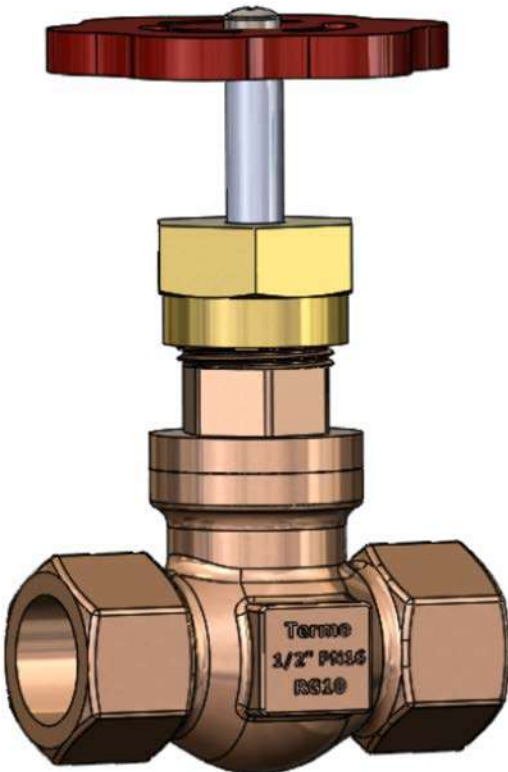
Çalışma sıcaklığı / Working Temperature: - 10 °C / + 200 °C

Flaş Bağlantılar/ Flange Connections:

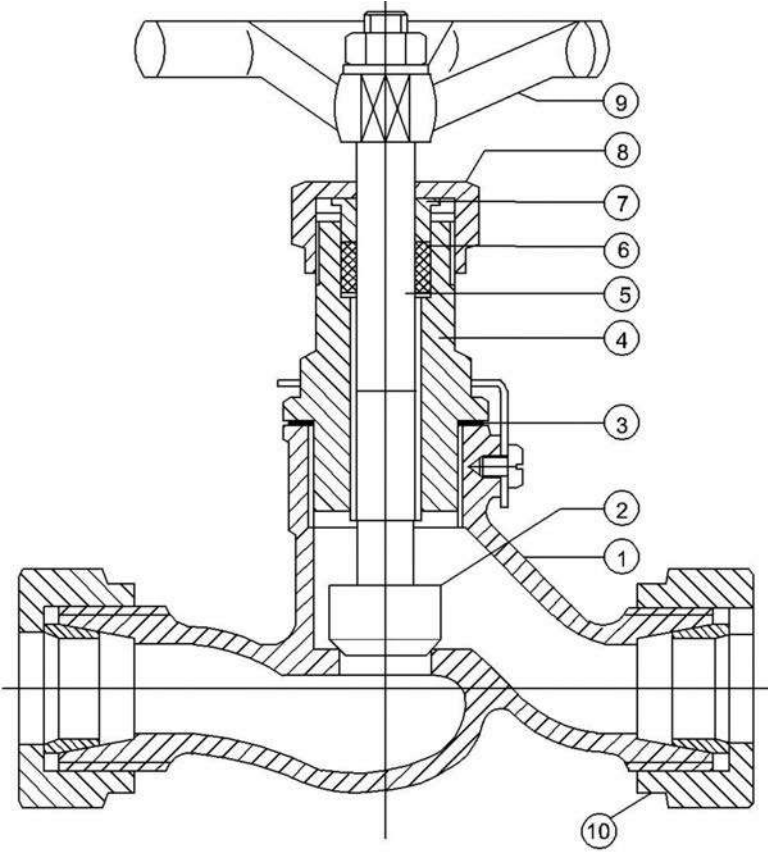
- DIN – 3844 SERIES I

Testler / Test:

- TS EN 12266-1


Boyutlar / Dimensions

DN	Size	L	H	ØD	Kg
10	3/8	56	95	50	0,38
15	1/2	67	95	60	0,5
20	3/4	82	132	60	1,35
25	1	100	140	80	2,1
32	1.1/4	112	140	80	2,75
40	1.1/2	132	189	100	3,55


Parça Listesi / Part List

Poz No	Parça Adı Part Name	Malzeme Material
01	Gövde / Body	Bronz Rg5- Rg10
02	Klape / Disc	PTFE
03	Kapak Contası Gasket	PTFE
04	Kapak / Bonnet	Bronz Rg5- Rg10
05	Mil / Spindle	Paslanmaz Çelik 1.4401 Stainless Steel AISI316
06	Ring / Ring	Grafit / Graphite
07	Baskı / Gland	MS58
08	Rakor Bağlantısı / Nut	MS58
09	Volant / Handwheel	ST37
10	Rakor / Nut	MS58

Çalışma sıcaklığı / Working Temperature:
 10 °C -225 °C

Flanş Bağlantılar/ Flange Connections:

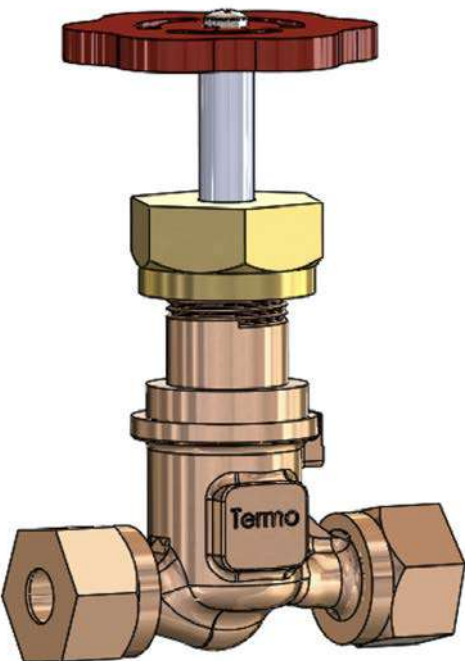
- DIN-86148 FORM-A

Vana Boyu / Face to Face:

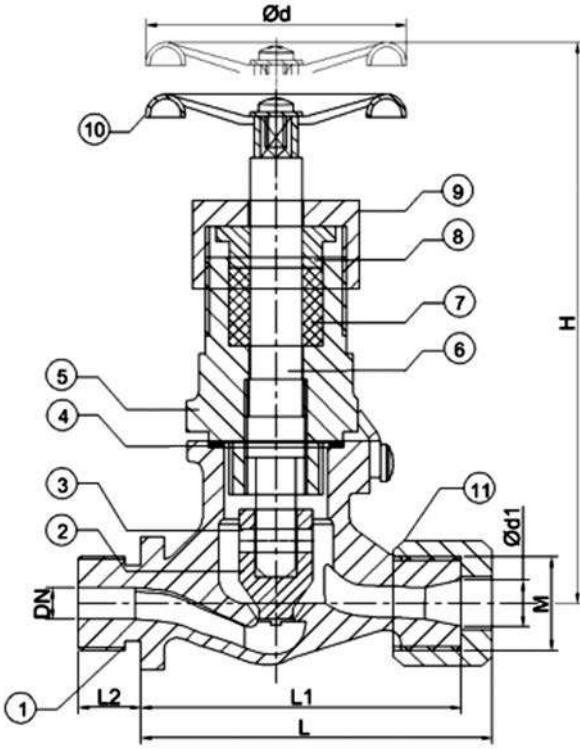
- DIN -86511

Testler / Test:

- TS EN 12266-1


Boyutlar / Dimensions

DN	Ød1	R	L	L1	H	Ød	SW
8	12	5/8	78	64	110	60	24
12	16	7/8	102	87	130	80	30
16	20	1	110	90	130	80	36


Parça Listesi / Part List

Poz No	Kod Code	Parça Adı Part Name	Malzeme Material
01	H6B-00	Gövde / Body	Bronz Rg5-Rg10
02	T0D-06	Kapak / Bonnet	PTFE
03	207-38	Pim / Pin	Paslanmaz Çelik Stainless Steel AISI316
04	T0D-90	Kapak Contası / Gasket	PTFE
05	H6Y-02	Kapak / Bonnet	Bronz Rg5-Rg10
06	60D-08	Mil / Spindle	Paslanmaz Çelik 1.4401 Stainless Steel AISI316
07	0 000-49	Ring / Ring	Grafit / Graphite
08	90D-03	Baskı / Gland	MS58
09	90Y-40	Rakor Bağlantısı / Nut	MS58
10	K0D-04	Volant / Handwheel	ST37
11	90Y-40	Rakor / Nut	MS58

Çalışma sıcaklığı / Working temperature: 10 °C - 225 °C

Flanş Bağlantılar/ Flange Connections:

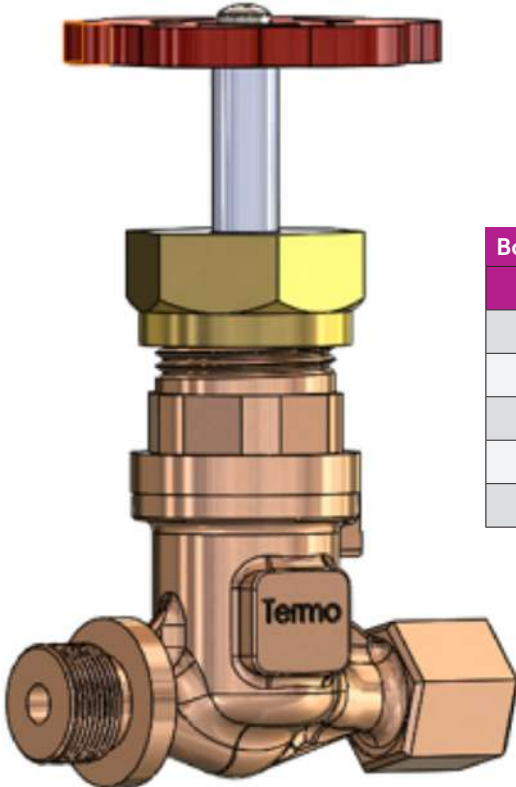
- DIN-2353

Vana Boyu / Face to Face:

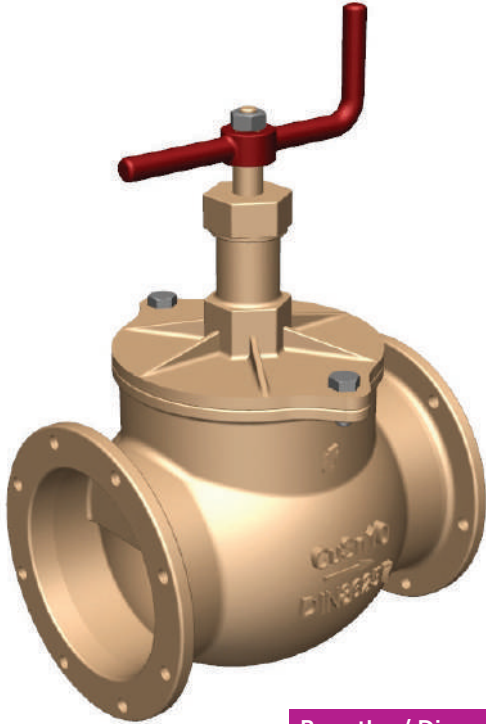
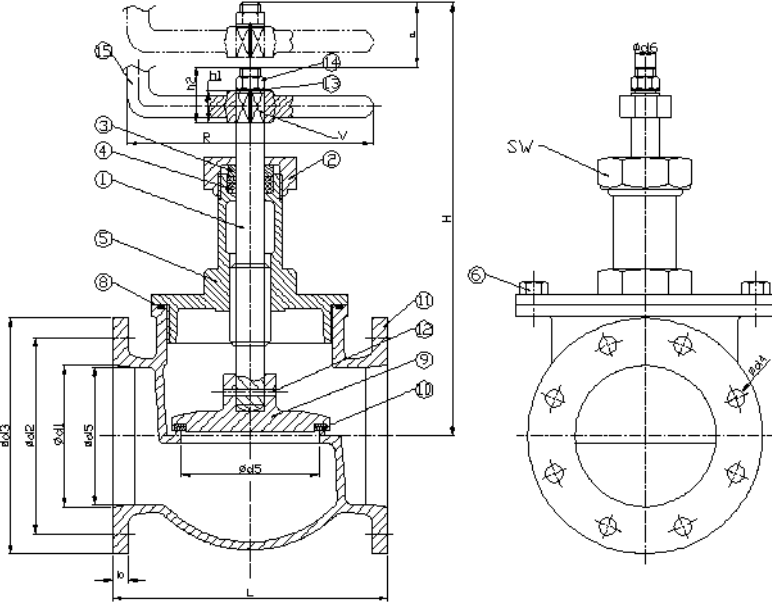
- DIN -86501

Testler / Test:

- TS EN 12266-1


Boyutlar / Dimensions

DN	Ød1	R	M	L	L1	L2	H	Ød	kg
6	10	3/8"	M18x1,5	68	61	12	101	60	0,5
6	10	3/8"	M18x1,5	68	61	12	101	60	0,5
6	10	3/8"	M18x1,5	68	61	12	101	60	0,5
16	20	3/4"	M30x2	101	79,5	16	130	80	0,8
20	25	1"	M36x2	122	98	18	150	100	1,3


Parça Listesi / Part List

Poz No	Parça Adı Part Name	Malzeme Material
01	Mil Spindle	CuAl10Ni5Fe4 (CW307G) DIN EN 12163
02	Baskı somunu Gland nut	CuZn35Ni3Mn2AlPb (CW710R) DIN EN 12167 CuZn39Pb3 (CW614N) DIN EN 12162
03	Baskı Gland	CuSn6 (CW452K) DIN EN 12163 CuSn7Pb15-C (CC496K) DIN EN 1982,GS
04	Ring	NBR
05	Kapak Bonnet	CuSn10-C (CC480K)
06	Cıvata Bolt	ISO 4017
07	Bağlantı parçası Connection Part	CuSn10-C (CW480K) CuSn5Zn5Pb5-C (CC491K) DIN EN 1982,GS
08	O-Ring	NBR 70 DIN 3771-1
09	Klape Disc	CuSn7Pb15-C (CC496K) DIN EN 1982,GS
10	Klape teflonu Disc Ptfе	POM DIN 16986
11	Gövde Body	CuSn10-C (CC480K)
12	Pim	X10CrNi18-8 DIN EN 10088-3 CuSn6 (CW452K) DIN EN 12163

Uygulamalar / Applications:

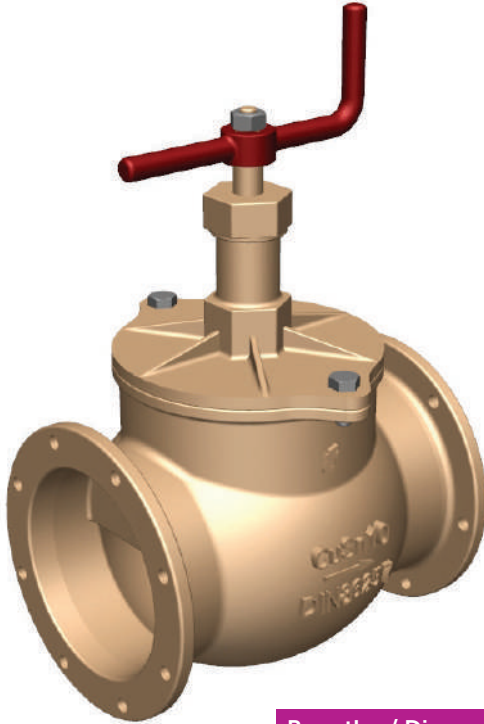
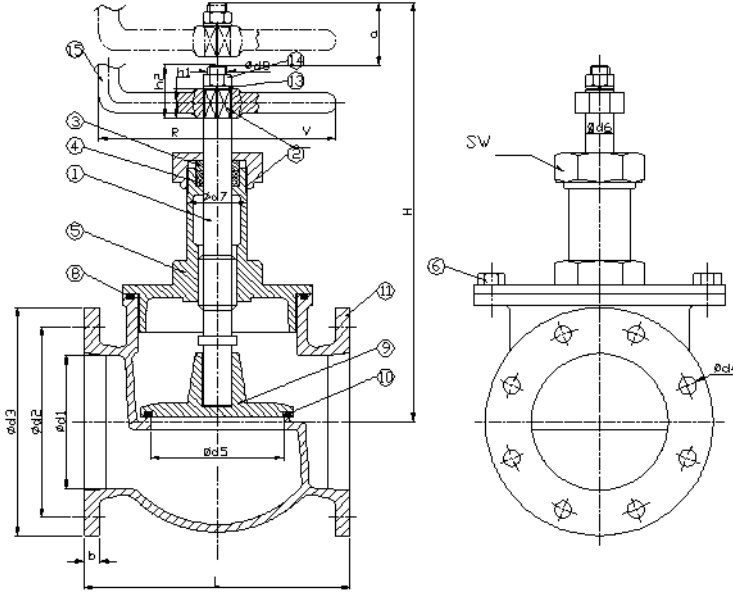
- Buhar / Steam
- Kızgın Su / Hot Water
- Deniz Suyu / Sea Water
- Hava ve diğer Nötr Akışkanlar
Air and other Neutral Fluids

Bağlantılar / Ends:

- DIN 85389

Boyutlar / Dimensions

DN Size	b	Ød1	Ød2	Ød3	Ød4	Delik Hole	d5	d6	H max	L ±1	r	a ±1	h1	h2	v	SW	AĞIRLIK Weight
32	8	35	58	75	6,6	6	32	M6	135	100	2,5	15	12	23	8	32	2,2
40		41,5	68	85			40	M8	152	120		20	13	24	9		3
50		54	78	95	50	188	212	140	26	15		28	11	41	4,2		
65		72	100	120	9	8	70	M10	230	155	3	32	18	31	14	46	5,8
80	85	112	130	80			258		225	36		6,5					
100	103	135	155	100			258		225	38		12,5					
125	10	128	160	180	125	300	240		48	18,7							


Parça Listesi / Part List

Poz No	Parça Adı Part Name	Malzeme Material
01	Mil Spindle	DIN EN 12163'e göre CuSn6 (CW452K)
02	Baskı somunu Gland nut	DIN EN12164'e göre CuZn39Pb3 (CW614N)
03	Baskı Gland	DIN EN 12164'e göre CuZn39Pb3 (CW614N)
04	Ring	VG 85554'e göre
05	Kapak Bonnet	DIN EN 1982'e göre CuSn10-C (CC480K)
06	Cıvata Bolt	ISO 4017'e göre
07	Bağlantı parçası Connection Part	DIN EN 1982 GS'e göre CuSn5Zn5Pb5-C (CC491K)
08	O-Ring	DIN 3771-1'e göre NBR 70
09	Klape Disc	DIN EN 1982 GS'e göre CuSn10-C (CC480K)
10	Klape teflonu Disc PTFE	DIN 16985'e göre POM
11	Gövde Body	DIN EN 1982 GS'e göre CuSn10-C (CC480K)

Uygulamalar / Applications:

- Buhar / Steam
- Kızgın Su / Hot Water
- Deniz Suyu / Sea Water
- Hava ve diğer Nötr Akışkanlar
Air and other Neutral Fluids

Bağlantılar / Ends:

- DIN 85389

Boyutlar / Dimensions

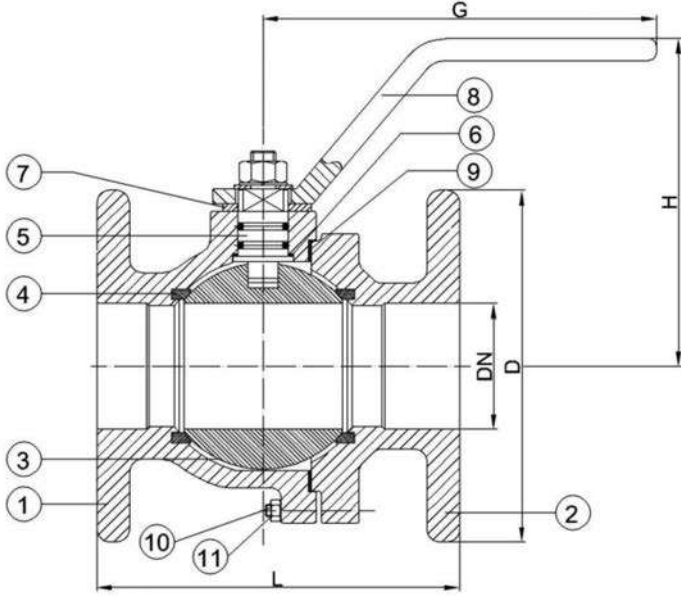
DN Size	b	Ød1	Ød2	Ød3	Ød4	Delik Hole	Ød5	Ød6	Ød7	Ød8	H ±5	h1	h2	L ±1	r	v	SW	a ±1	AĞIRLIK Weight			
32	8	35	58	75	6,6	6	32	12	M26x1,5	M6	135	12	23	100	2,5	8	32	13	2,2			
40		41,5	68	85			40				152	13	24					120	9	12	3	
50		54	78	95			50				188	15	28					140	11	16	4,2	
65		72	100	120			70				212	15	28					140	11	25	5,8	
80	10	85	112	130	9	8	80	15	M32x1,5	M8	230	18	31	225	3	14	46	28	6,5			
100		103	135	155			100				258							18	31	225	35	12,5
125		128	160	180			125				300							18	31	240	44	13



KÜRESEL VANA GRUBU

BALL VALVE GROUP

İki Parçalı (F4) Küresel Vana Flanşlı Two Pieces (F4) Ball Valve Flanged	21
İki Parçalı (F5) Küresel Vana-Flanşlı Two Pieces Full Bore Ball Valve-Flanged	22
Tam Geçişli Küresel Vana-Flanşlı Full Bore Ball Valve-Flanged	23
Tam Geçişli Küresel Vana-Dişli Full Bore Ball Valve-Threaded	24
Aktüatörlü Üç Yollu Küresel Vana Motorised Ball Valve 3 Way (L Type)	25
Küresel Vana Soketli-3 Parçalı Ball Valve Socket Weld-3 Pieces	26
Kaplinli Yangın Küresel Vana Ball Valve With Inst BS336 Coupling	27



Parça Listesi / Part List

Poz No	Parça Adı Part Name	Malzeme Material
01	Gövde / Body	CuSn10 / GG25 / GGG40.3
02	Flanş / Flange	GSC25 / AISI316
03	Küre / Ball	CuSn10 / SS
04	Küre Contası / Ball Seal	Teflon / PTFE
05	Küre Mili / Ball Spindle	Paslanmaz / Stainless
06	Mil Contası / Spindle Seal	Teflon / PTFE
07	Kilit Sacı / Locking Plate	Paslanmaz / Stainless
08	Kol / Lever	AISI 304
09	Flanş Contası / Flange Seal	Asbetsiz Conta
10	Saplama / Stud	Ck 35
11	Somun / Nut	Paslanmaz / Stainless

Uygulamalar / Applications:

- Buhar / Steam
- Kızgın Su / Hot Water
- Hava ve diğer Nötr Akışkanlar
Air and other Neutral Fluids

Çalışma Şartları / Working Conditions:

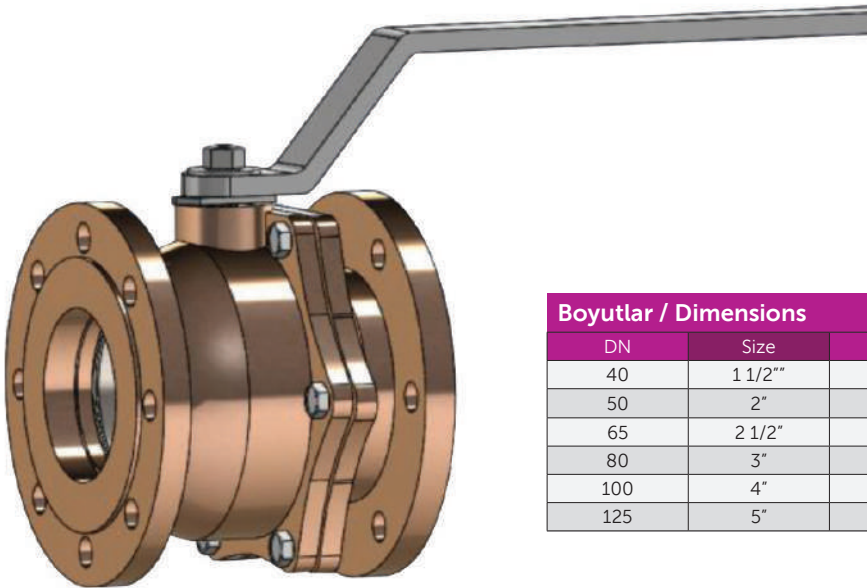
- DIN 2401'e göre / As per DIN 2401

Bağlantılar / Ends:

- DIN 2501'e göre flanşlı
Flanged as per DIN 2501

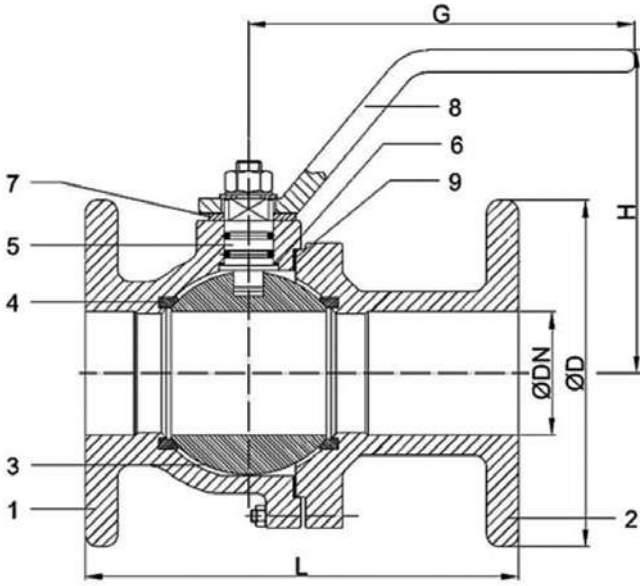
Vana Boyu / Face to face:

- DIN 3202-F4



Boyutlar / Dimensions

DN	Size	L	H	G	D
40	1 1/2"	140	125	230	150
50	2"	150	135	230	165
65	2 1/2"	170	152	285	185
80	3"	180	166	285	200
100	4"	190	180	360	220
125	5"	200	225	450	250



Parça Listesi / Part List

Poz No	Parça Adı Part Name	Malzeme Material
01	Gövde / Body	CuSn10 / GG25 / GGG40,3 GSC25 / AISI316
02	Flanş / Flange	CuSn10 / GG25 / GGG40,3 GSC25 / AISI316
03	Küre / Ball	CuSn10 / SS
04	Küre Contası / Seat	Teflon / PTFE
05	Küre Mili / Ball Stem	Paslanmaz Çelik Stainless Steel AISI316
06	Mil Contası Stem Seal	Teflon / PTFE
07	Kilit Sacı Locking Plate	Paslanmaz Çelik Stainless Steel AISI316
08	Kol / Lever	Paslanmaz Çelik Stainless Steel AISI316
09	Flanş Contası Flange Seal	Asbestsiz Conta Asbestos Free

Flanş Ölçüleri / Flange Dimensions:

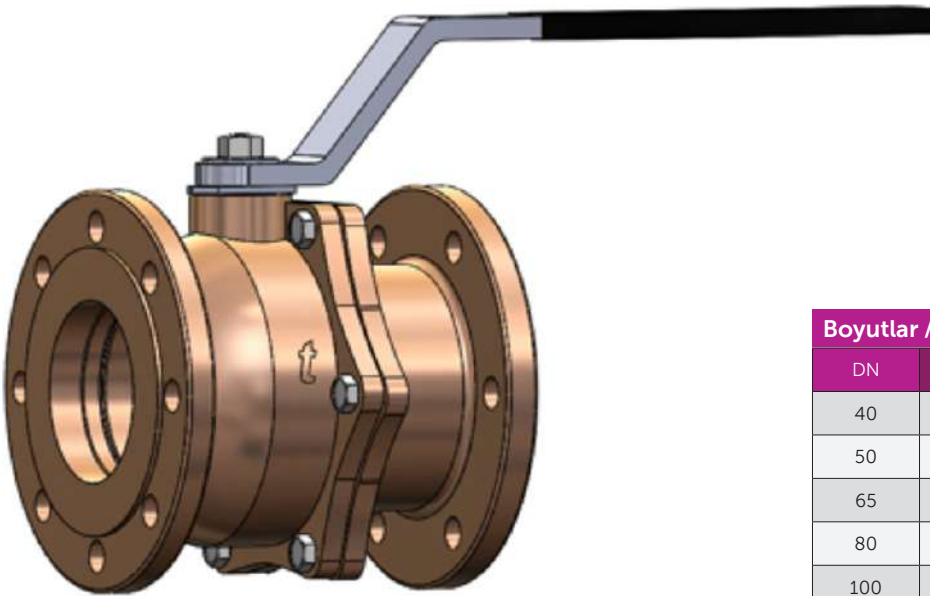
- DIN EN 1092-2 PN16 Type A (Flat Face)

Vana Boyu / Face to Face:

- DDIN3202-F5

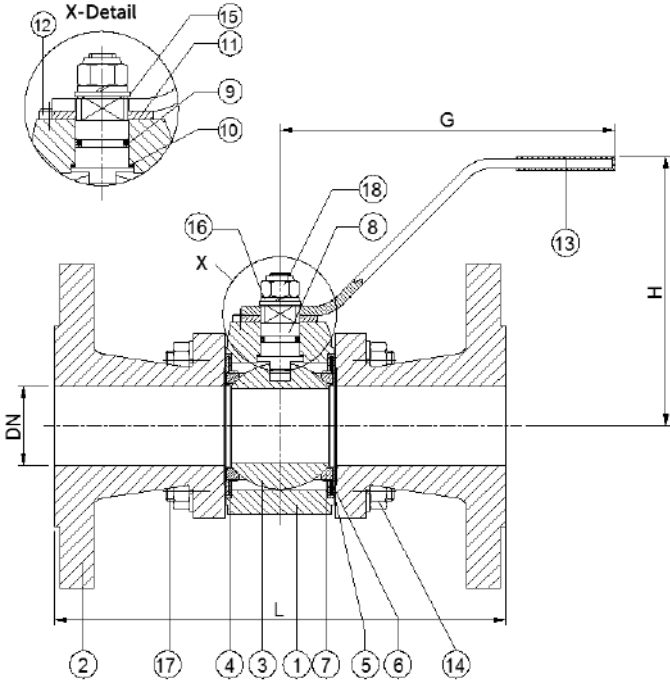
Testler / Test:

- TS EN 12266-1



Boyutlar / Dimensions

DN	Size	L	H	G	D
40	1½"	165	165	210	150
50	2"	178	175	210	165
65	2½"	190	180	220	185
80	3"	203	190	220	200
100	4"	229	200	220	220


Parça Listesi / Part List

Poz No	Parça Adı Part Name	Malzeme Material
01	Gövde / Body	CuSn10 / GG25 / GGG40.3
02	Flanş / Flange	GSC25 / AISI316
03	Küre / Ball	CuSn10
04	Flanş contası / Flange seal	Teflon
05	İç Tabak Yayı / Disk Spring (Two Pis.)	Paslanmaz / Stainless
06	Dış Tabak Yayı / Disk Spring (Two Pis.)	Paslanmaz / Stainless
07	Küre Contası / Ball Seal	Teflon
08	Küre Mili / Ball Spindle	Paslanmaz / Stainless
09	O-ring	EPDM
10	Mil Contası / Spindle Seal	Teflon
11	Kilit Sacı / Locking Plate	CuSn10
12	Tahdit Pimi / Limiting Pin	ST 40
13	Kol / Lever	AISI 304
14	Somun / Nut	Paslanmaz / Stainless
15	Düz Pul / Washer	Çelik / Steel
16	Yaylı Rondela / Spring Washer	DIN 127
17	Saplama / Stud	CK 35
18	Emniyetli Somun / Secure Nut	DIN 985

Uygulamalar / Applications:

- Buhar / Steam
- Kızgın Su / Hot Water
- Deniz Suyu / Sea Water
- Hava ve diğer Nötr Akışkanlar
Air and other Neutral Fluids

Çalışma Şartları / Working Conditions:

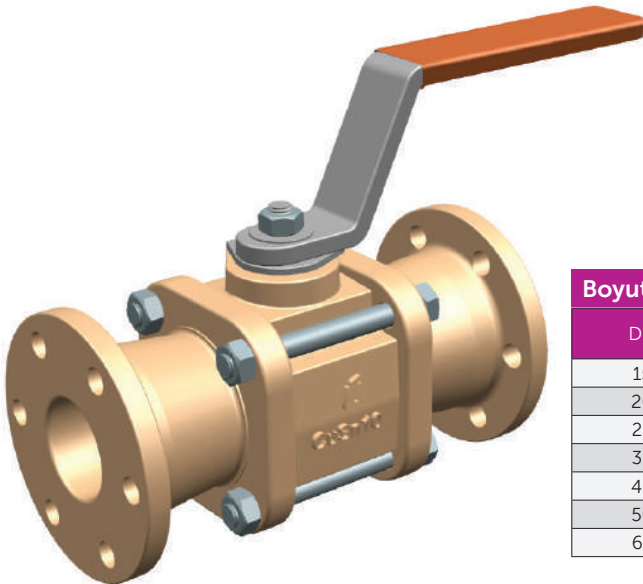
- DIN 2401'e göre / As per DIN 2401

Bağlantılar / Ends:

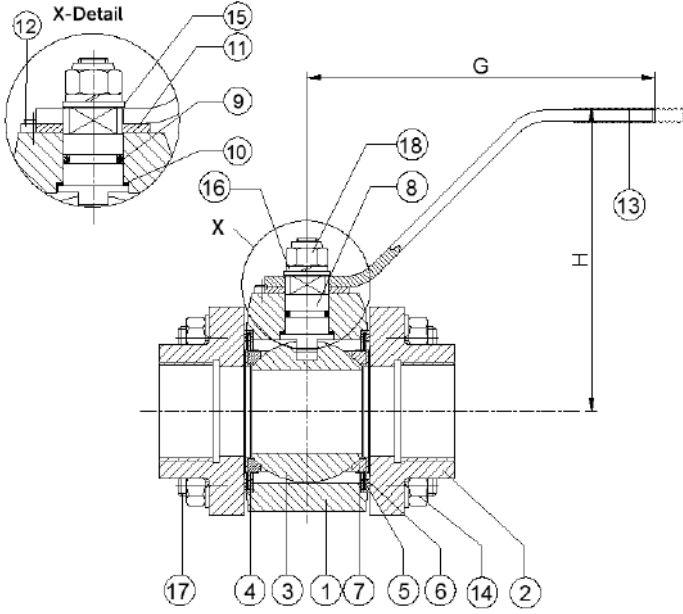
- DIN 2501'e göre flanşlı
Flanged as per DIN 2501

Vana Boyu / Face to face:

- DIN 3202-F1


Boyutlar / Dimensions

DN	Size	L	H	G	AĞIRLIK Weight
15	1/2"	130	91	143	2,2
20	3/4"	150	115		3,7
25	1"	160	118	172	4,8
32	1 1/4"	180	135		4,9
40	1 1/2"	200	141	220	6,2
50	2"	230			9,4
65	2 1/2"	290	153	280	15,7


Parça Listesi / Part List

Poz No	Parça Adı / Part Name	Malzeme / Material
01	Gövde / Body	CuSn10 / GG25 / GGG40.3
02	Vidalı Flanş / Screwed End	GSC25 / AISI316
03	Küre / Ball	CuSn10
04	Flanş contası / Flange seal	Teflon
05	İç Tabak Yayı / Disk Spring (Two Pis.)	Paslanmaz / Stainless
06	Dış Tabak Yayı / Disk Spring (Two Pis.)	Paslanmaz / Stainless
07	Küre Contası / Ball Seal	Teflon
08	Küre Mili / Ball Spindle	Paslanmaz / Stainless
09	O-ring	EPDM
10	Mil Contası / Spindle Seal	Teflon
11	Kilit Sacı / Locking Plate	CuSn10
12	Tahdit Pimi / Limiting Pin	ST 40
13	Kol / Lever	AISI 304
14	Somun / Nut	Paslanmaz / Stainless
15	Düz Pul / Washer	Çelik / Steel
16	Yaylı Rondela / Spring Washer	DIN 127
17	Saplama / Stud	CK 35
18	Emniyetli Somun / Secure Nut	DIN 985

Uygulamalar / Applications:

- Buhar / Steam
- Kızgın Su / Hot Water
- Deniz Suyu / Sea Water
- Hava ve diğer Nötr Akışkanlar
Air and other Neutral Fluids

Çalışma Şartları / Working Conditions:

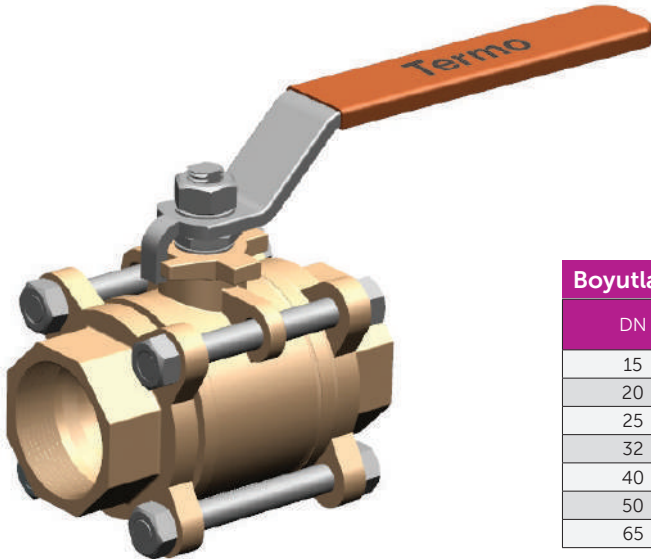
- DIN 2401'e göre / As per DIN 2401

Bağlantılar / Ends:

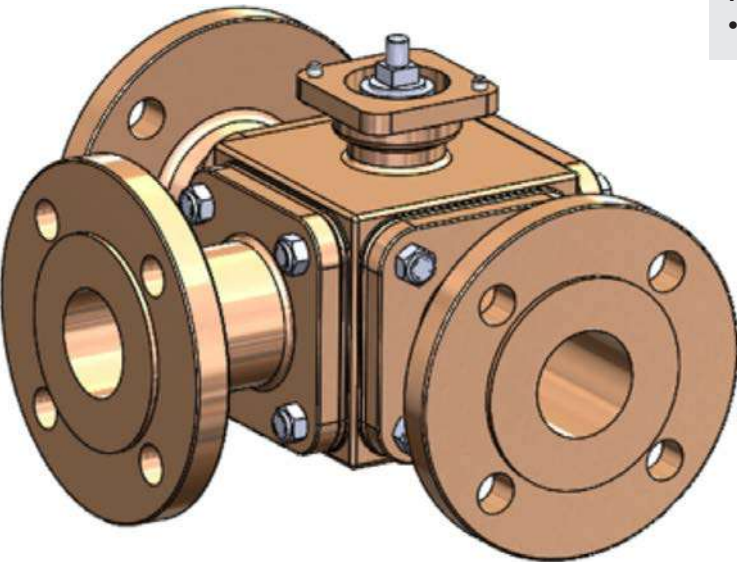
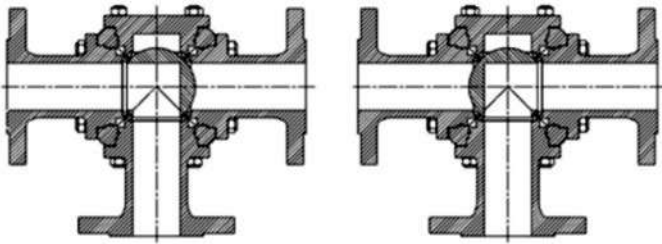
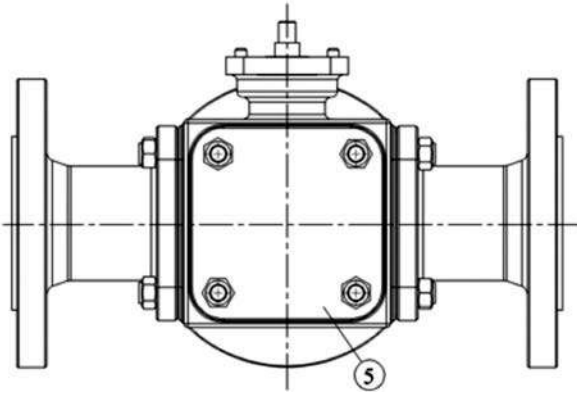
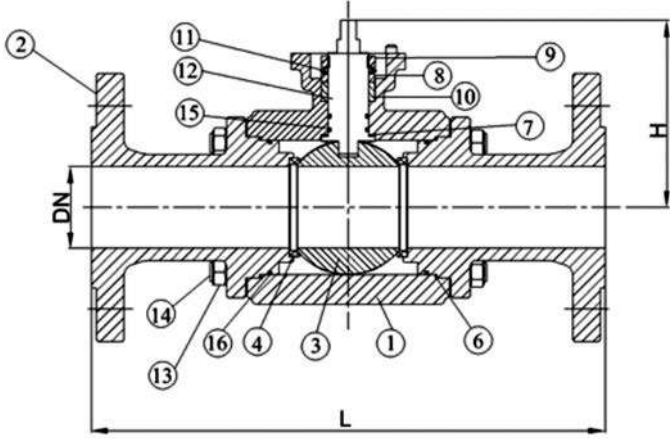
- DIN 2999'e göre dişli
Screwed as per DIN 2999

Vana Boyu / Face to face:

- DIN 3202-M3


Boyutlar / Dimensions

DN	Size	L	H	G	AĞIRLIK / Weight
15	1/2"	75	91	143	0,9
20	3/4"	80	115		1,5
25	1"	90	118	172	2,4
32	1 1/4"	110	135		3,8
40	1 1/2"	120	141	220	4,7
50	2"	140			7,6
65	2 1/2"	185	153	280	13



Parça Listesi / Part List

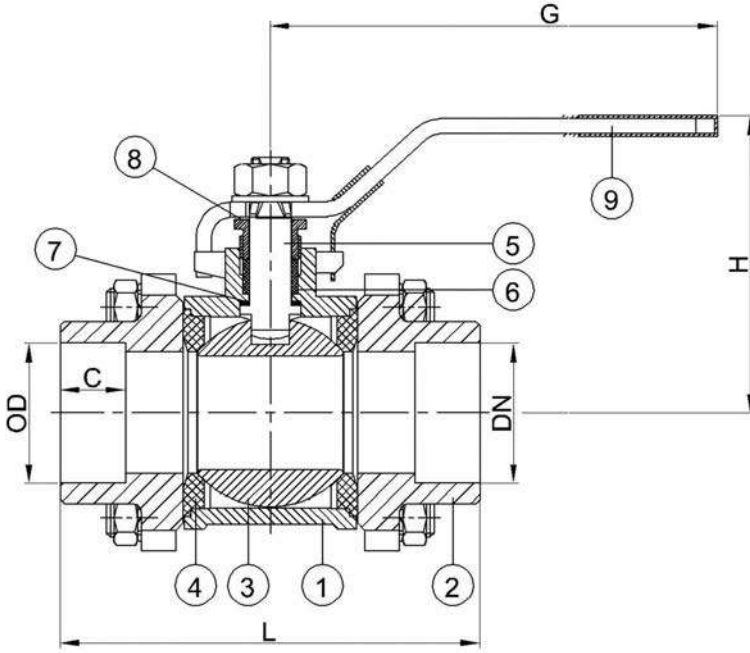
Poz No	Parça Adı Part Name	Malzeme Material
01	Gövde / Body	Rg5 -Rg10 Bronze-Aluminium
02	Flanş / Flange	Rg5 -Rg10 Bronze-Aluminium
03	Küre/Ball	Rg5 -Rg10 Bronze-Aluminium
04	Küre Contası / Seat	Teflon/PTFE
05	Kapak / Bonnet	Rg5 -Rg10 Bronze-Aluminium
06	Flanş Contası Flange Seal	Astbestsiz conta / Asbestos Free
07	Mil Contası Stem Seal	Teflon/PTFE
08	Ring / Ring	Saf Grafit/ Pure Graphite
09	Baskı / Gland	Rg5 -Rg10 Bronze-Aluminium
10	Ring / Ring	Saf Grafit/ Pure Graphite
11	Pul/Washer	Paslanmaz Çelik / Stainless Steel
12	Mil / Stem	Rg5 -Rg10 Bronze-Aluminium
13	Somun / Nut	Paslanmaz Çelik / Stainless Steel
14	Saplama / Stud	Paslanmaz Çelik / Stainless Steel
15	O-ring	NBR
16	O-ring	NBR
17	Aktüatör / Actuator	

Flanş Bağlantılar/ Flange Connections:

- DIN 2501

Boyutlar / Dimensions

PN	DN	Size	L	D	H
10	50	2"	316	165	115,5
10	65	1 1/2"	316	165	115,5


Parça Listesi / Part List

Poz No	Kod Code	Parça Adı Part Name	Malzeme Material
01	F4F-01	Gövde / Body	Al-Bronz (Gc CuAl10Ni) AB2
02	F4D-02	Soket Flanş Socket Flange	Al-Bronz (Gc CuAl10Ni) AB2
03	F00-04	Küre / Ball	Al-Bronz (Gc CuAl10Ni)
04	T00-61	Küre contası Ball seal	Teflon / PTFE
05	60F-11	Küre Mili Ball spindle	Paslanmaz Çelik Stainless Steel AISI316
06	T00-61	Ring / Ring	Teflon / PTFE
07	T00-67	Mil Contası Spindle Seal	Teflon / PTFE
08	68D-03	Baskı / Gland	Paslanmaz Çelik Stainless Steel AISI316
09	600-35	Kol / Lever	Paslanmaz Çelik Stainless Steel AISI316

Bağlatılar / Connections:

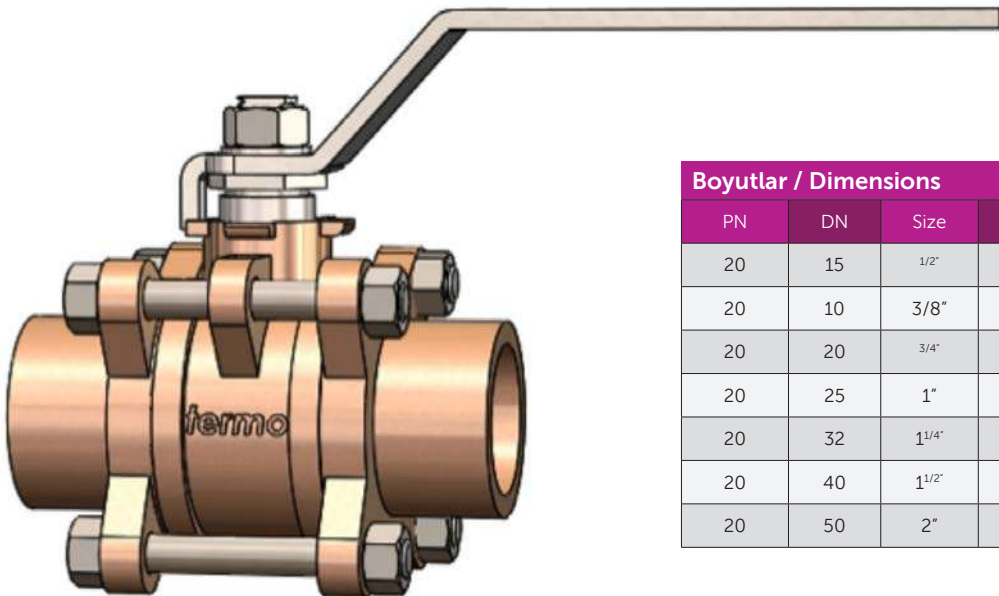
- Soket Kaynaklı / Socket Welding Ends

Vana Boyu / Face to Face:

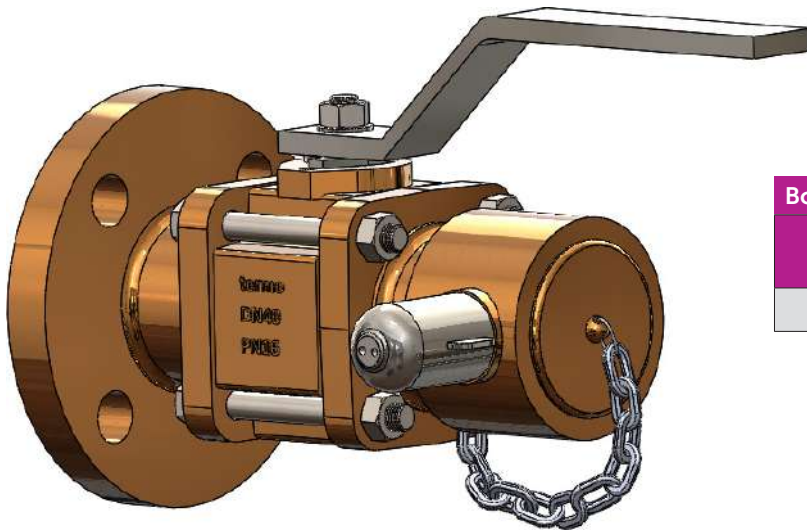
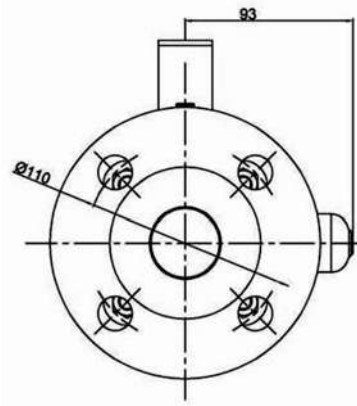
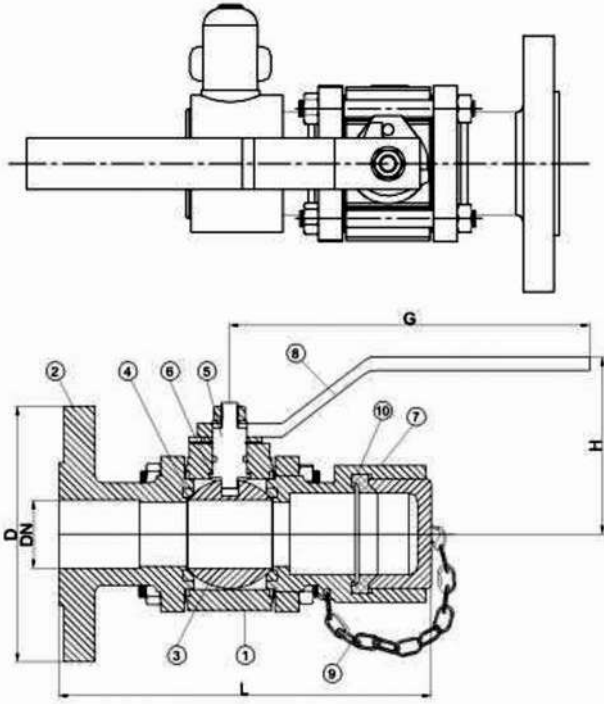
- -

Testler / Test:

- TS EN 12266-1


Boyutlar / Dimensions

PN	DN	Size	L	OD	C	H	G
20	15	1/2"	71	20	10	54	113
20	10	3/8"	71	20	10	54	113
20	20	3/4"	95.8	25	19	61	119
20	25	1"	108	30	12	67	119
20	32	1 1/4"	116	38	20	76	150
20	40	1 1/2"	128	44.5	16	86	189
20	50	2"	142.8	57	19	93	189


Parça Listesi / Part List

Poz No	Parça Adı Part Name	Malzeme Material
01	Gövde / Body	Rg5 (CuSn5Zn5Pb5-C)
02	Flanş / Flange	Rg5 (CuSn5Zn5Pb5-C)
03	Küre / Ball	Al-Bronze (CuAl10Ni)
04	Küre Contası / Seat	Teflon / PTFE
05	Küre Mili / Ball Stem	Gunmetal
06	Mil Contası / Stem Seal	Teflon / PTFE
07	Kaplin / Coupling	Gunmetal
08	Kol / Lever	Paslanmaz Çelik Stainless Steel AISI316
09	Zincir / Chain	Paslanmaz Çelik Stainless Steel
10	Rakor Contası/ Seat	NBR

Bağlatılar / Connections:

- Giriş / Inlet: Flanş / Flange
DIN EN 1092 B1 PN16
- Çıkış / Outlet: INST BS336 COUPLING

Testler / Test:

- TS EN 12266-1

Çalışma Sıcaklığı
Working Temperature:

- -29 °C +190

Uygulamalar / Application:

- Deniz Suyu / Sea Water

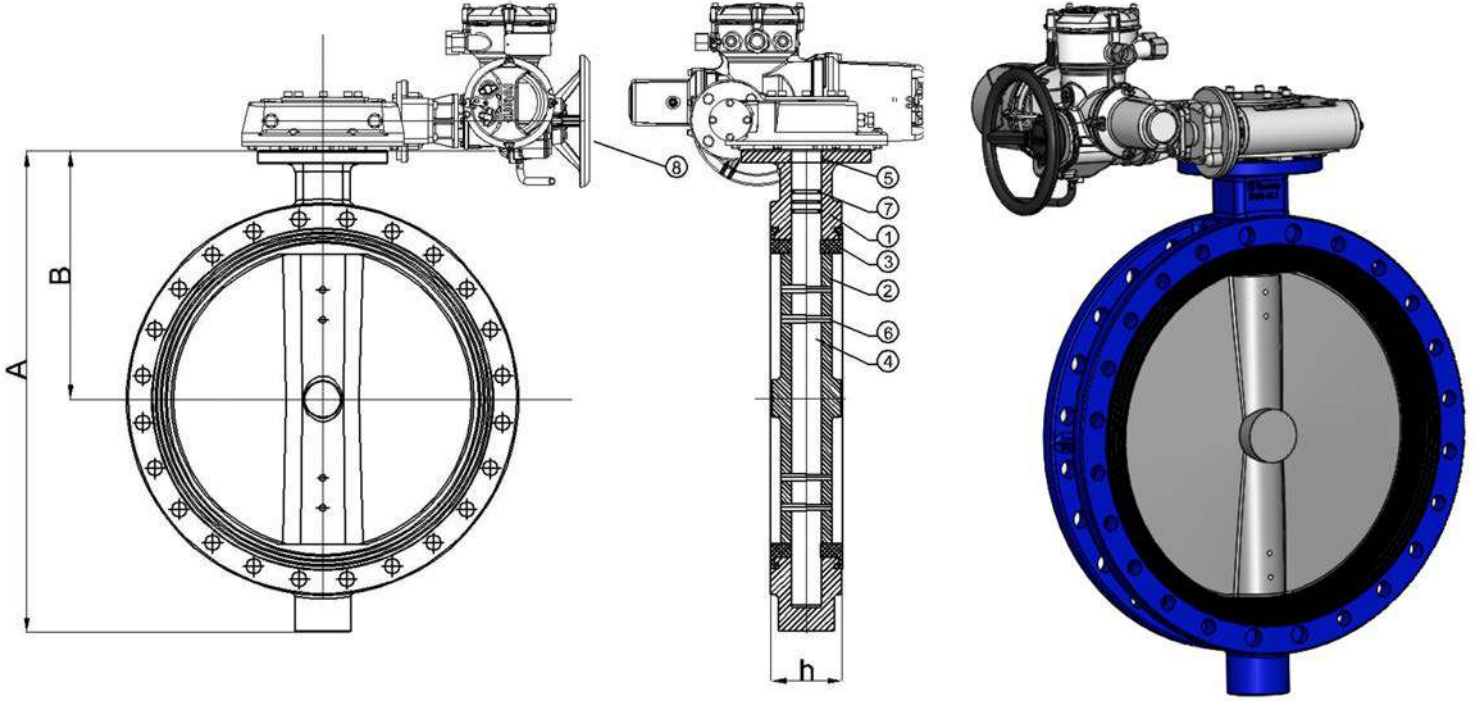
Boyutlar / Dimensions

DN	Size	L	H	G	D	Ağırlık Weight (kg)
40	1 ^{1/2} "	218	104	160	150	9

KELEBEK VANA GRUBU

BUTTERFLY VALVE GROUP

Kelebek Vana Flanşlı Butterfly Valve Flanged	29
Kelebek Vana WAFER Butterfly Valve WAFER	30
Kelebek Vana LUG Butterfly Valve LUG	31
Kelebek Vana LUG-WAFER Butterfly Valve LUG-WAFER	32


Parça Listesi / Part List

Poz No	Parça Adı Part Name	Malzeme Material
01	Gövde / Body	Cu Sn 10 / GGG4013 Sfero - Bronz / Ductile Iron GGG40 CuSn10
02	Klape / Disc	Al Bronz/Paslanmaz Çelik/Stainless Steel 1.4408
03	Sit / Seat	EPDM/NBR/HNBR/FKM
04	Mil / Spindle	Paslanmaz Çelik / Satinless Steel 1.4021
05	Ring	EPDM
06	Pim / Pin	Paslanmaz Çelik
07	O-Ring	EPDM

Boyutlar / Dimensions

DN	Size	A	B	H	AĞIRLIK Weight
700	28"	1115	575	165	320
800	32"	1210	635	190	434

Uygulamalar / Applications:

- Su / Water, Deniz Suyu / Sea Water, Atık su / Waste Water, Hava / Air, Toz / Powder, Gaz vb. Akışkanlar / Gas etc.

Flanş Bağlantılar / Flange Connections:

- DIN EN 1092

Aktüatör Bağlantı / Actuator Flange Connections:

- ISO 5211

Vana Boyu / Face to face:

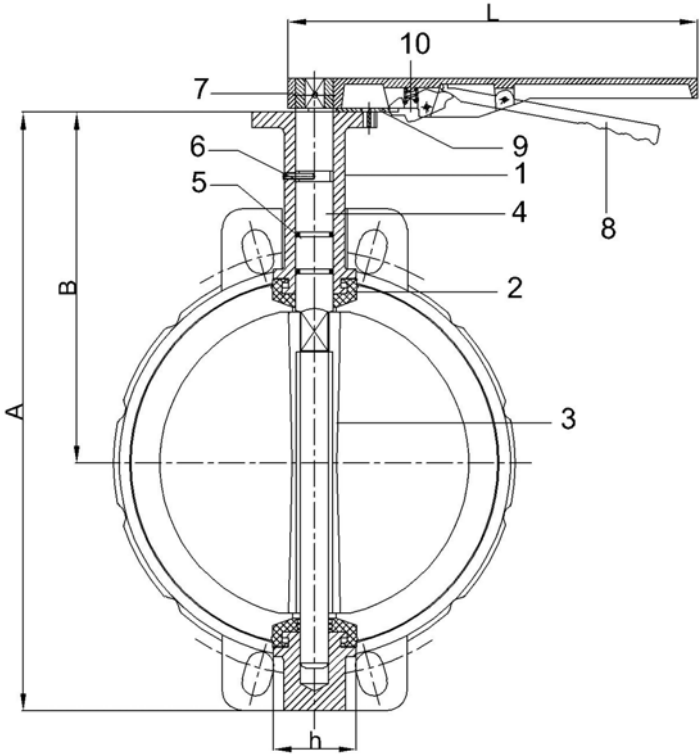
- EN 558-1 / 20

Çalışma Şartları / Working Conditions:

- DIN 2401 (-10...+120°C)

Testler / Test:

- EN 12266-1-Testing of metallic valves


Parça Listesi / Part List

Poz No	Parça Adı Part Name	Malzeme Material
01	Gövde / Body	CuSn10/GG25/GGG40.3
02	Sit / Seat	EPDM/NBR/HNBR/FKM
03	Klape / Disc	Al Bronz/GGG40.3+Ni/1.4301
04	Mil / Spindle	Al Bronz
05	O-ring	NBR
06	Setuskur / Setscrew	DIN 417
07	Kol / Lever	Çelik Sac - Dökme Demir Sheet Forming - Cast Iron St 42 GG25
08	Kol Mandalı / Lever Pin	Çelik Sac - Dökme Demir Sheet Forming - Cast Iron St 42 GG25
09	Kilit Sacı / Locking Plate	Paslanmaz Çelik / Stainless Steel 1.4301
10	Kilit Yayı / Locking Spring	Yay Çeliği / Spring Steel 1.4310

Uygulamalar / Applications:

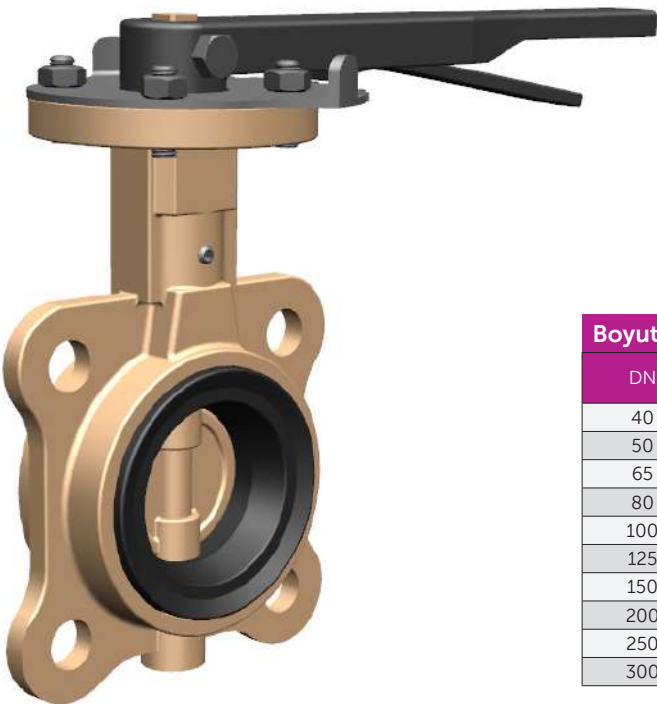
- Su / Water
- Deniz Suyu / Sea Water
- Atık su / Waste Water
- Hava / Air
- Toz / Powder
- Gaz vb. Akışkanlar / Gas etc.

Bağlantılar / Ends:

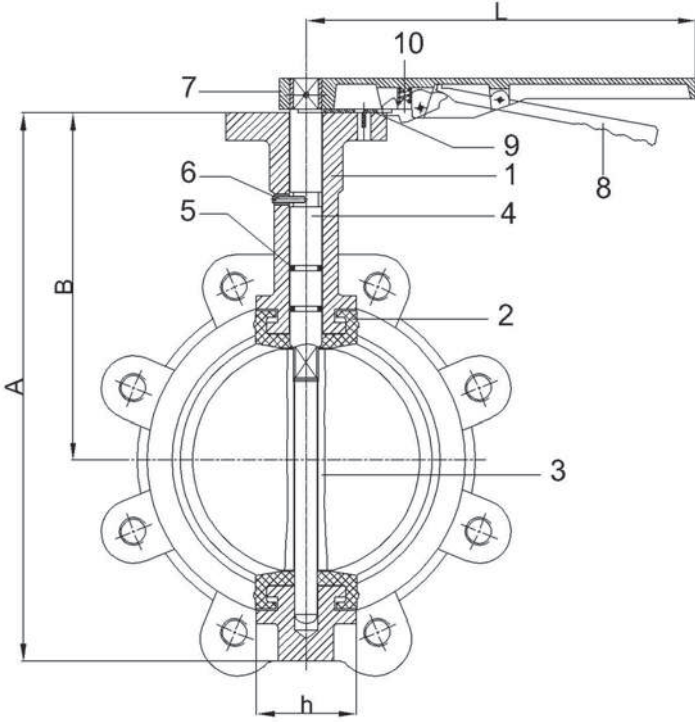
- Wafer tip DIN 2501'e uygun iki flanş arasına
Wafer type , between two flanges acc. To DIN 2501
(DIN EN 1092)

Vana Boyu / Face to face:

- DIN 3202-K1


Boyutlar / Dimensions

DN	Size	A	B	h	L	AĞIRLIK Weight
40	1 1/2"	175	114	33	230	2,4
50	2"	190	123	43		3,2
65	2 1/2"	215	140	46		3,8
80	3"	250	159			4,8
100	4"	285	182	52	267	6
125	5"	308	195	56		8
150	6"	337	210		60	8
200	8"	388	240	68		345
250	10"	475	270		78	
300	12"	539	300			


Parça Listesi / Part List

Poz No	Parça Adı Part Name	Malzeme Material
01	Gövde / Body	CuSn10/GG25/GGG40.3
02	Sit / Seat	EPDM/NBR/HNBR/FKM
03	Klape / Disc	Al Bronz/GGG40.3+Ni/1.4301
04	Mil / Spindle	Al Bronz
05	O-ring	NBR
06	Setuskur / Setscrew	DIN 417
07	Kol / Lever	Çelik Sac - Dökme Demir Sheet Forming - Cast Iron St 42 GG25
08	Kol Mandalı / Lever Pin	Çelik Sac - Dökme Demir Sheet Forming - Cast Iron St 42 GG25
09	Kilit Sacı / Locking Plate	Paslanmaz Çelik / Stainless Steel 1.4301
10	Kilit Yayı / Locking Spring	Yay Çeliği / Spring Steel 1.4310

Uygulamalar / Applications:

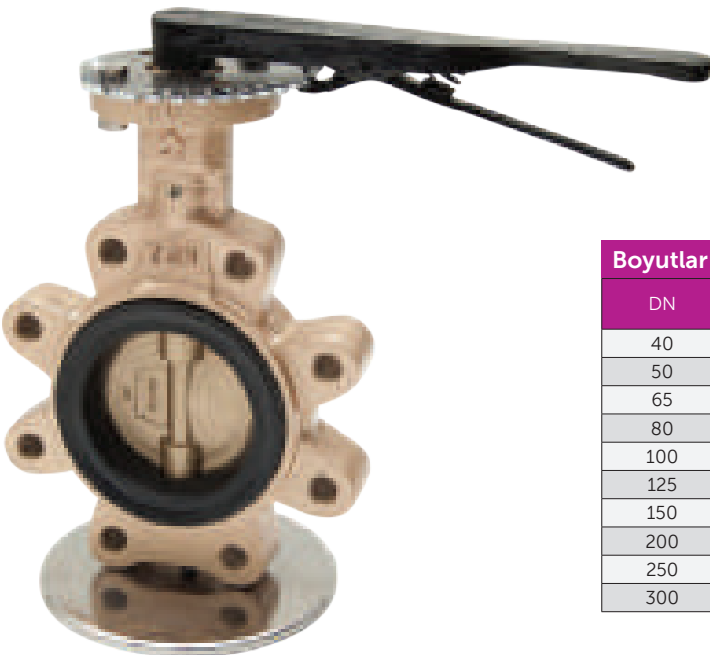
- Su / Water
- Deniz Suyu / Sea Water
- Atık su / Waste Water
- Hava / Air
- Toz / Powder
- Gaz vb. Akışkanlar / Gas etc.

Bağlantılar / Ends:

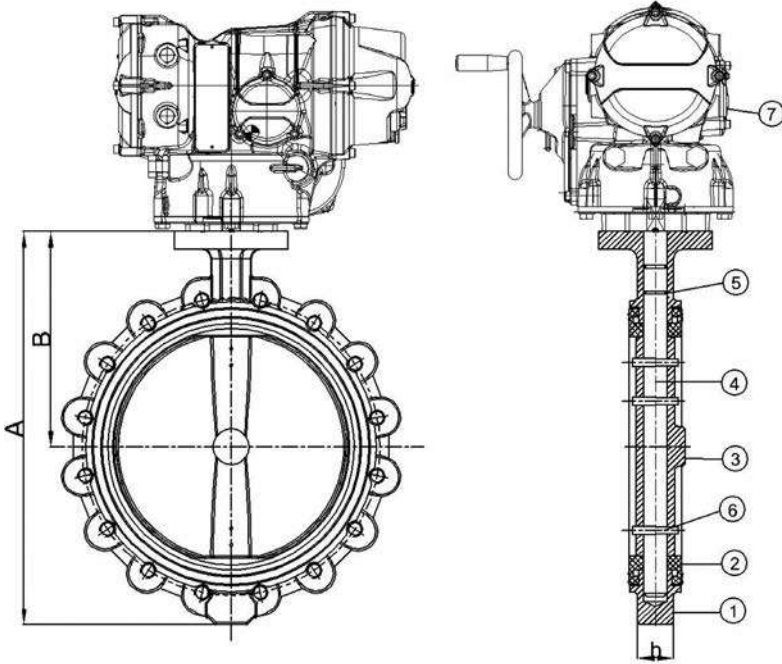
- Lug tip DIN 2501'e uygun iki flanş arasına (DIN EN 1092)
- Lug type, between two flanges acc. To DIN 2501

Vana Boyu / Face to face:

- DIN 3202-K1


Boyutlar / Dimensions

DN	Size	A	B	h	L	AĞIRLIK Weight
40	1 1/2"	175	114	33	230	2,4
50	2"	190	123	43		3,2
65	2 1/2"	215	140	46		3,8
80	3"	250	159			4,8
100	4"	285	182	52	267	6
125	5"	308	195	56		8
150	6"	337	210		60	8
200	8"	388	240	345		15
250	10"	475	270		369	26
300	12"	539	300	78		37


Parça Listesi / Part List

Poz No	Parça Adı Part Name	Malzeme Material
01	Gövde / Body	Sfero Döküm / Ductile Iron GGG 40.3
02	Klape / Disc	Paslanmaz Çelik / Stainless steel 1.4408 Sfero Döküm + Ni Kaplama / Ductile Iron + Ni Coating
03	Sit / Seat	EPDM
04	Mil / Spindle	Paslanmaz Çelik/Stainless Steel 1.4021
05	O-Ring	EPDM
06	Pim / Pin	Paslanmaz Çelik / Stainless Steel

Flaş Bağlantılar/ Flange Connections:

- DIN EN 1092

Aktüatör Bağlantı fl./ Actuator flange Connections:

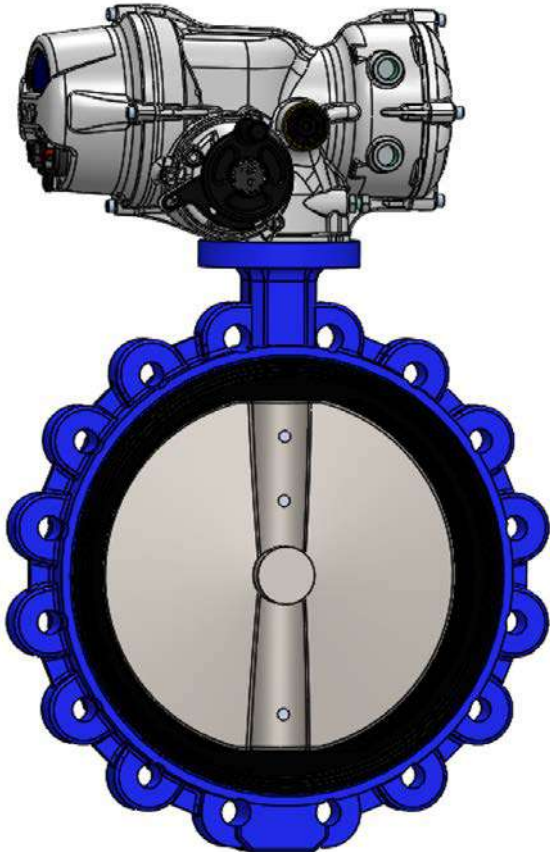
- ISO 5211

Çalışma Şartları/ Working conditions:

- DIN 2401 (-10...+120 °C)

Testler / Test:

- EN 12266-1 - Testing of metallic valves


Boyutlar / Dimensions

DN		A	B	H	Ağırlık (kg)
350	14"	608	333	78	39,6
400	16"	663	363	102	72
450	18"	741	414	114	90
500	20"	838	481	126	108
600	24"	988	560	154	195



SÜRGÜLÜ VANA

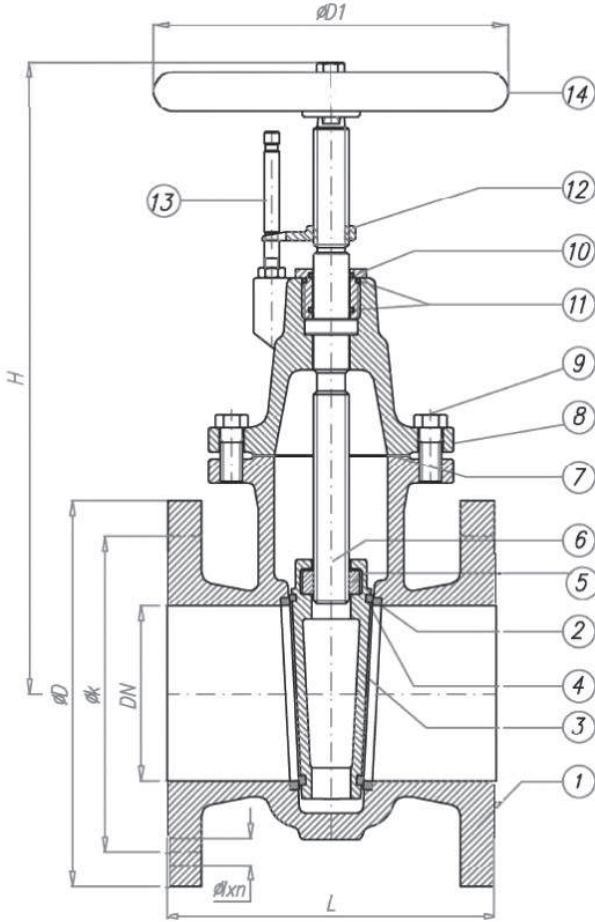
GATE VALVE

Seviye Göstergeli Sürgülü Vana
Gate Valve With Indicator

35

Elastomer Kaplı Sürgülü Vana
Rubber Gate Valve

36


Parça Listesi / Part List

Poz No	Parça Adı Part Name	Malzeme Material
01	Gövde / Body	Bronz Rg10 (GCuSn10Zn)
02	Gövde Burcu Seat Ring	Bronz Rg10 (GCuSn10Zn)
03	Sürgü / Wedge	Al-Bronze (CuAl10Ni)
04	Sürgü Burcu Wedge Ring	Bronz Rg10 (GCuSn10Zn)
05	Sürgü Somunu Wedge Nut	Bronz Rg10 (GCuSn10Zn)
06	Mil / Stem	Al-Bronze (CuAl10Ni)
07	Conta / Gasket	Asbestsiz Conta
08	Kapak / Bonnet	Bronz Rg10 (GCuSn10Zn)
09	Civata / Bolt	AISI 316
10	Mil Somunu Packing Nut	Bronz Rg10 (GCuSn10Zn)
11	O-Ring	EPDM/NBR
12	Gösterge / Indicator	AISI304/AISI 316
13	Gösterge Pimi Indicator Pin	AISI304/AISI 316
14	Volan / HandWheel	GG20

Uygulamalar / Applications:

- Kızgın Su / Hot Water
- Deniz Suyu / Sea Water
- Hava ve diğer Nötr Akışkanlar / Air and other Neutral Fluids

Çalışma Şartları / Working Conditions:

- DIN 2401'e göre / As per DIN 2401

Bağlantılar / Ends:

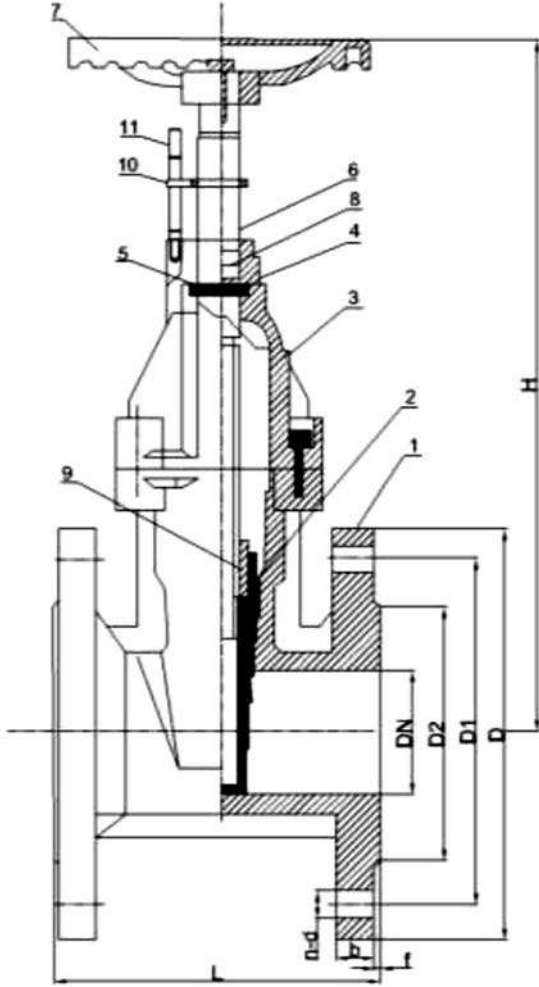
- DIN 2501'e göre flanşlı / Flanged as per DIN 2501

Vana Boyu / Face to face:

- DIN 3202-F4


Boyutlar / Dimensions

Anma Basıncı / Nominal Pressure		10/16/25/40											
Anma Çapı / Nominal Diameter		DN	40	50	65	80	100	125	150	200	250	300	
Valve Dimensions		L	140	150	170	180	190	200	210	230	250	270	
Vana Boyutları		H	245	255	275	285	345	420	460	575	715	810	
Flange Dimensions-Flanş Ölçüleri- DIN EN 1092-1-2	D1	160		180			260			320			
	Øe	Ø15											
	PN10	D	150	165	185	200	220	250	285	340	395	445	
		k	110	125	145	160	180	210	240	295	350	400	
		Øxn	18x4			18x8			22x8	22x12			
	PN16	D	150	165	185	200	220	250	285	340	405	460	
		k	110	125	145	160	180	210	240	295	355	410	
		Øxn	18x4			18x8			22x8	22x12	26x12		
	PN25	D	150	165	185	200	235	270	300	360	425	485	
		k	110	125	145	160	190	220	250	310	370	430	
		Øxn	18x4	18x4	18x8	18x8	22x8	26x8	26x8	26x12	30x12	30x16	
	PN40	D	150	165	185	200	235	270	300	375	450	515	
	k	110	125	145	160	190	220	250	320	385	450		
	Øxn	18x4	18x4	18x8	18x8	22x8	26x8	26x8	30x12	33x12	33x16		


Parça Listesi / Part List

Poz No	Parça Adı Part Name	Malzeme Material
01	Gövde / Body	EN-GJS-500-7
02	Sürgü/ Wedge	EN-GJS-500-7-EPDM
03	Büyük Kapak/ Big Bonnet	EN-GJS-500-7
04	Küçük Kapak/ Small Bonnet	EN-GJS-500-7
05	Mil Yatağı/ Shaft Bearing	Bronz / Bronze
06	Mil / Stem	420(1.4021)
07	Volant/ Handwheel	GG25
08	O-Ring	NBR
09	Sürgü Somunu/ Wedge Nut	Bronz / Bronze
10	Gösterge/ Indicator	Paslanmaz Çelik/ Stainless Steel
11	Gösterge Pimi/ Indicator Pin	Paslanmaz Çelik/ Stainless Steel

Uygulamalar / Applications:

- Su / Water
- Atık Su / Waste Water
- Hava ve diğer Nötr Akışkanlar / Air and other Neutral Fluids

Çalışma Şartları / Working Conditions:

- DIN 2401'e göre / As per DIN 2401

Bağlantılar / Ends:

- FLANGE EN 1092, B1, PN16

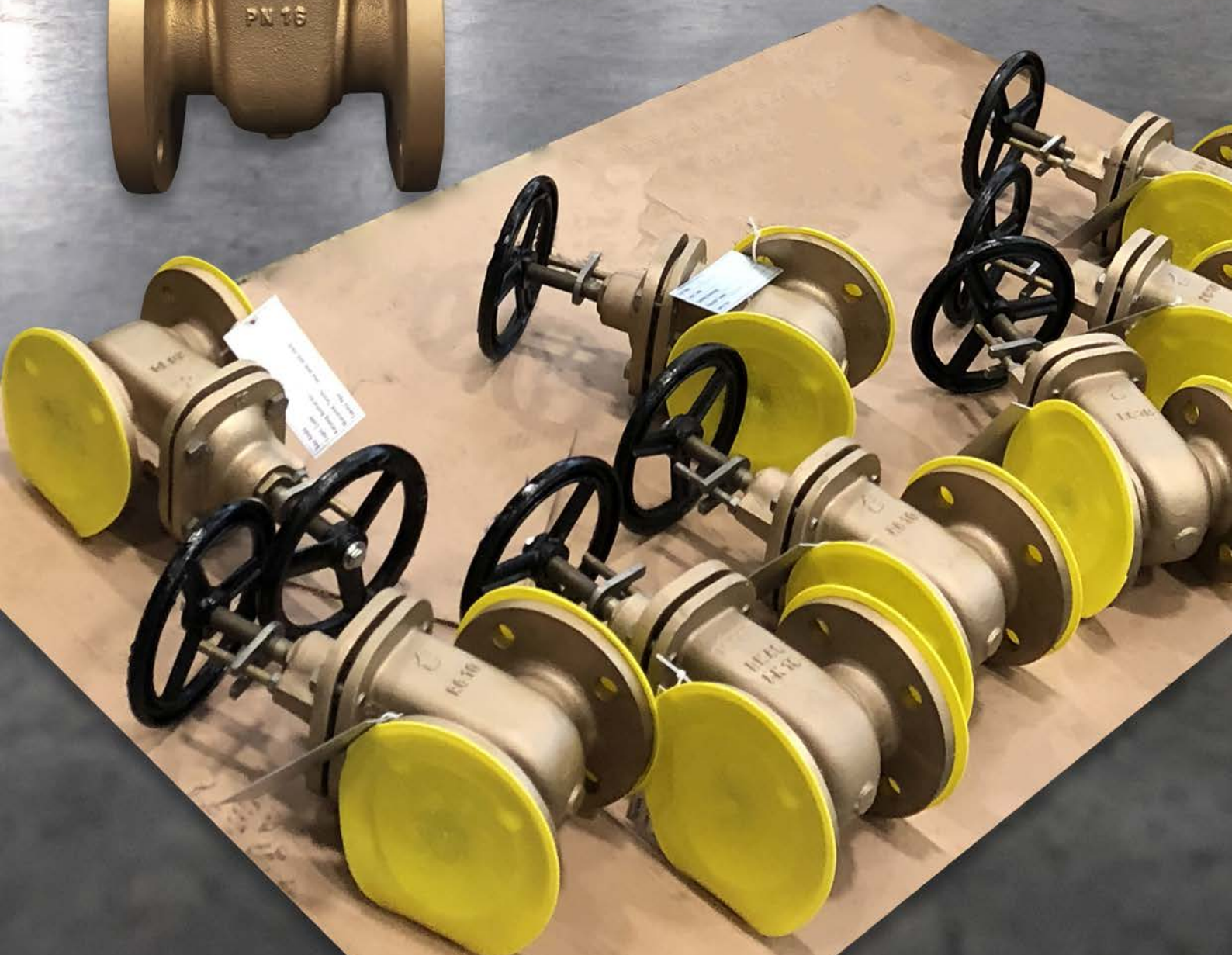
Çalışma Basıncı / Working Pressure:

- 16 bar

Vana Boyu / Face to face:

- (EN 558-1 SERIES 14)

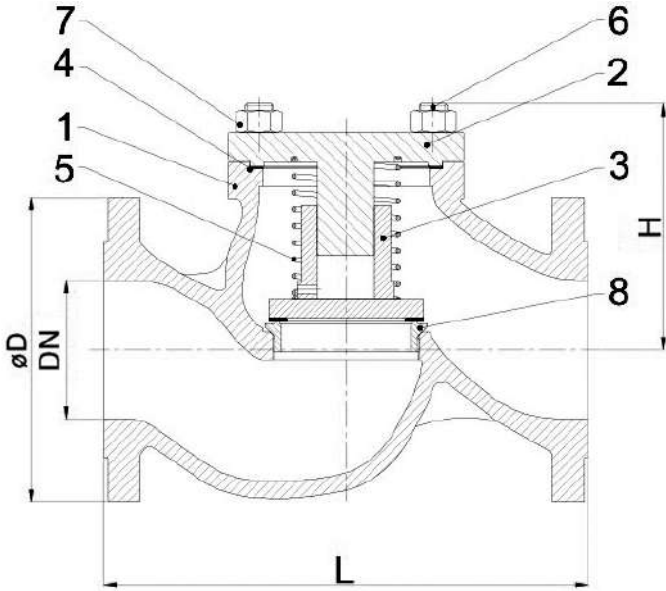
DN	L	b PN10/ PN16	f	D2	D	D1	n-d		H	Ağırlık (kg)
				PN10 / PN16			PN10	PN16		
40	140	18	3	88	150	110	4-19		241	11
50	150	19	3	99	165	125	4-19		329	12
65	170	19	3	118	185	145	4-19		355	17
80	180	19	3	132	200	160	4-19	8-19	382	18
100	190	19	3	156	220	180	8-19		414	35



ÇEKVALF GRUBU

CHECK VALVE GROUP

Lift Tipi Çekvalf Lift Type Check Valve	39
Swing Çekvalf Kollu Swing Check Valve With Weighted	40
Swing Çekvalf Swing Check Valve	41
Kompakt Flanşlı Çekvalf Compact Flanged Check Valve	42
Wafer Dual Çekvalf Wafer Type Duo Check Valve	43
Disko Çekvalf Disc Check Valve	44
Wafer Swing Çekvalf Wafer Swing Check Valve	45


Parça Listesi / Part List

Poz No	Parça Adı Part Name	Malzeme Material
01	Gövde / Body	CuSn10/GG25/GGG40.3/GSC25
02	Kapak / Bonnet	
03	Klape / Disc	Paslanmaz Çelik / Stainless Steel DN 15-50 1.4021 DN 65-300 ST37+1.4057
04	Kapak Contası / Gasket	Astbestsiz Conta / Asbestos Free
05	Yay / Spring	Yay Çeliği / Spring Steel
06	Saplama / Stud	CK 35
07	Somun / Nut	TS 1026/2
08	Sit / Seat	Paslanmaz Çelik / Stainless Steel 1.4021-1.4057

Uygulamalar / Applications:

- Buhar / Steam
- Deniz Suyu / Sea Water
- Kızgın Su / Hot Water
- Hava ve diğer Nötr Akışkanlar
Air and other Neutral Fluids

Çalışma Şartları / Working Conditions:

- DIN 2401'e göre / As per DIN 2401

Bağlantılar / Ends:

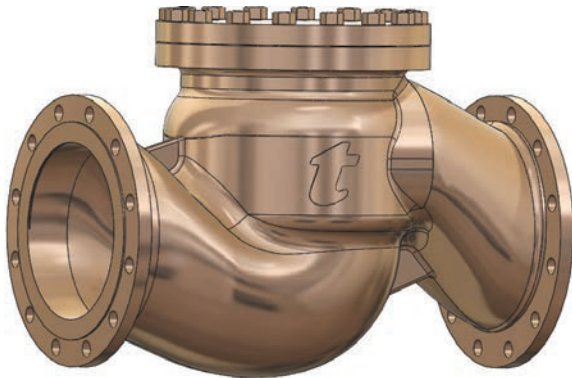
- DIN 2501'e göre flanşlı (DIN EN 1092)
PN 16 (DIN 2533)
- Flanged as per DIN 2501 (DIN EN 1092)
PN 16 (DIN 2533)

Vana Boyu / Face to face:

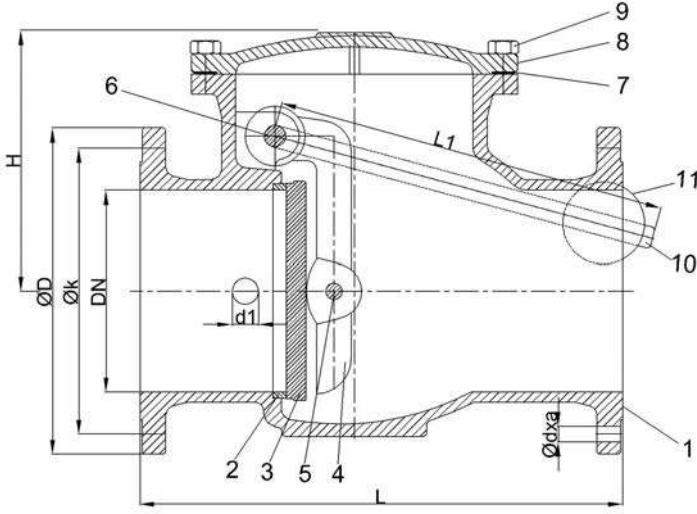
- DIN 3202-F1 (DIN EN 558-1)

Boyutlar / Dimensions

DN	Size	L	H	D	AĞIRLIK Weight
20	3/4"	150	67	86	4,2
25	1"	160	78	92	5,6
32	1 1/4"	180	80	100	7,3
40	1 1/2"	200	89	108	9,8
50	2"	230	105	120	13,2
65	2 1/2"	290	120	140	19,6
80	3"	310	154	150	28,8
100	4"	350	183	172	43,6
125	5"	400	203	200	65
150	6"	480	227	226	81
200	8"	600	250	264	149,5
250	10"	730	350	288	277,5
300	12"	850	370	340	382



NOT : Dikey konumda mutlaka yaylı tip kullanın.
NOTE : In vertical position, spring type should be used.


Parça Listesi / Part List

Poz No	Parça Adı / Part Name	Malzeme / Material
1	Gövde / Body	Bronz RG10 (G-CuSn10Zn)
2	Gövde burcu / Body seat	
3	Klape / Disc	
4	Klape Kolu / Disc Arm	A2 - 70
5	Civata / Bolt	
6	Mil / Spindle	Al-Bronz (CuAl10Ni)
7	Kapak contası / Gasket	Asbetsiz conta / Asbestos free
8	Kapak / Bonnet	Bronz RG10 (G-CuSn10Zn)
9	Civata / Bolt	Paslanmaz Çelik / Stainless Steel (AISI316)
10	Kol / Lever	S+37
11	Kol ağırlığı / Weight	S+37

Flaş Ölçüleri / Flange Dimensions:

- DIN EN 1092-2 PN16 Type B (Raised face)

Vana Boyu / Face to Face:

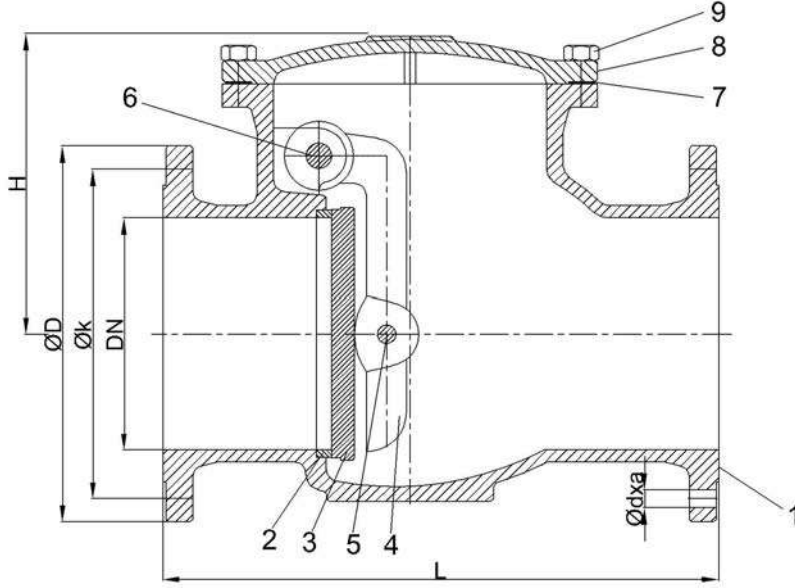
- DIN EN 558-1-48 / DIN 3232-F6

Testler / Tests:

- TS EN 12266-1

Boyutlar / Dimensions

Anma Basıncı / Nominal Pressure		10/16/25/40											
Anma Çapı / Nominal Diameter		DN	40	50	65	80	100	125	150	200	250	300	
Valve Dimensions		L	180	200	240	260	300	350	400	500	600	700	
Vana Boyutları		H	100	110	130	145	170	195	205	260	340	370	
DIN 3232-F6 DIN EN 558-1-48		L1	200			300			400			400	
By-Pass		d1	15						25				
Flange Dimensions-Flaş Ölçüleri- DIN EN 1092-1-2	PN10	dxn	18x4			18x8			22x8		22x12		
		D	150	165	185	200	220	250	285	340	405	460	
		k	110	125	145	160	180	210	240	295	355	410	
	PN16	dxn	18x4			18x8			22x8		22x12		
		D	150	165	185	200	235	270	300	360	425	485	
		k	110	125	145	160	190	220	250	310	370	430	
	PN25	dxn	18x4	18x4	18x8	18x8	22x8	26x8	26x8	26x12	30x12	30x16	
		D	150	165	185	200	235	270	300	375	450	515	
		k	110	125	145	160	190	220	250	320	385	450	
	PN40	dxn	18x4	18x4	18x8	18x8	22x8	26x8	26x8	30x12	33x12	33x16	
		k	110	125	145	160	190	220	250	320	385	450	
		dxn	18x4	18x4	18x8	18x8	22x8	26x8	26x8	30x12	33x12	33x16	


Parça Listesi / Part List

Poz No	Parça Adı / Part Name	Malzeme / Material
1	Gövde / Body	Bronz RG10 (G-CuSn10Zn)
2	Gövde burcu / Body seat	
3	Klape / Disc	
4	Klape Kolu / Disc Arm	A2 - 70
5	Civata / Bolt	
6	Mil / Spindle	Al-Bronz (CuAl10Ni)
7	Kapak contası / Gasket	Asbetsiz conta / Asbestos free
8	Kapak / Bonnet	Bronz RG10 (G-CuSn10Zn)
9	Civata / Bolt	Paslanmaz Çelik / Stainless Steel (AISI316)


Flanş Ölçüleri / Flange Dimensions:

- DIN EN 1092-2 PN16 Type B (Raised face)

Vana Boyu / Face to Face:

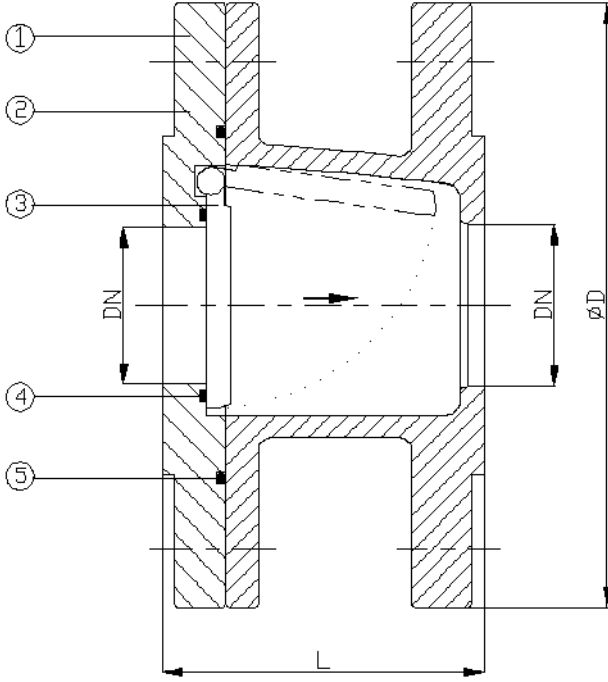
- DIN EN 558-1-48 / DIN 3232-F6

Testler / Tests:

- TS EN 12266-1

Boyutlar / Dimensions

Anma Basıncı / Nominal Pressure		10/16/25/40											
Anma Çapı / Nominal Diameter		DN	40	50	65	80	100	125	150	200	250	300	
Valve Dimensions		L	180	200	240	260	300	350	400	500	600	700	
Vana Boyutları		H	100	110	130	145	170	195	205	260	340	370	
DIN 3232-F6 DIN EN 558-1-48		a	200			300			400			600	
Flange Dimensions-Flanş Ölçüleri- DIN EN 1092-1-2	PN10	D	150	165	185	200	220	250	285	340	395	445	
		k	110	125	145	160	180	210	240	295	350	400	
		øxn	18x4			18x8				22x8	22x12		
	PN16	D	150	165	185	200	220	250	285	340	405	460	
		k	110	125	145	160	180	210	240	295	355	410	
		øxn	18x4			18x8		22x8	22x12	26x12			
	PN25	D	150	165	185	200	235	270	300	360	425	485	
		k	110	125	145	160	190	220	250	310	370	430	
		øxn	18x4	18x4	18x8	18x8	22x8	26x8	26x8	26x12	30x12	30x16	
	PN40	D	150	165	185	200	235	270	300	375	450	515	
		k	110	125	145	160	190	220	250	320	385	450	
		øxn	18x4	18x4	18x8	18x8	22x8	26x8	26x8	30x12	33x12	33x16	


Parça Listesi / Part List

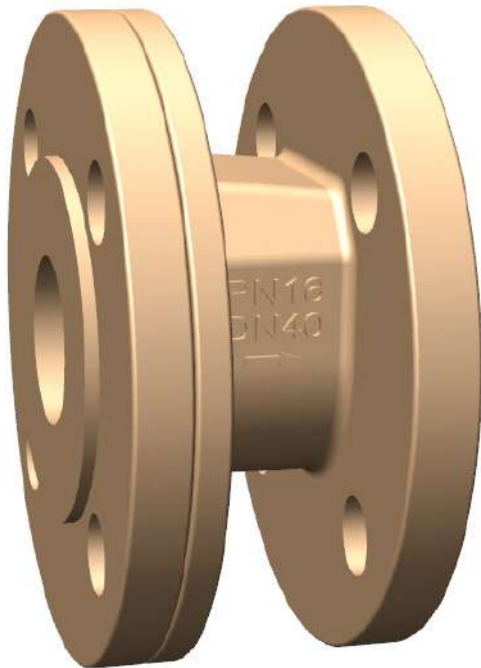
Poz No	Parça Adı Part Name	Malzeme Material
01	Gövde / Body	CuSn10 / GG25 / GGG40.3
02	Flanş / Flange	CuSn10 / GG25 / GGG40.3
03	Klape / Disc	CuSn10 / AISI304 / AISI316
04	O-ring	NBR
05	O-ring	NBR

Uygulamalar / Applications:

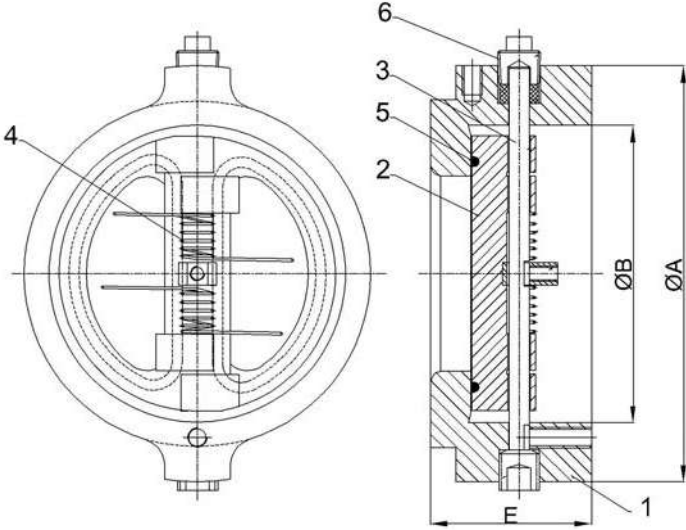
- Isıtma soğutma ve havalandırma sistemleri için;
Su, Sıcak su, buhar ve diğer Nötr Akışkanlar
Water, Hot Water, Superheated Water steam and,
outher neutral Fluids to be used in heating, Cooling &
ventilating System

Bağlantılar / Ends:

- DIN 2501'e uygun iki flanş arasına
Between two flanges acc. to DIN 2501


Boyutlar / Dimensions

DN	PN	Size	L	D
15	16	1/2"	65	95
20		3/4"	65	105
25		1"	70	115
32		1 1/4"	75	140
40		1 1/2"	80	150
50		2"	85	165
65		2 1/2"	105	185
80		3"	125	200
100		4"	145	220
125		5"	170	250
150		6"	200	285
200		10	8"	255
250	10"		310	395
300	12"		360	445


Parça Listesi / Part List

Poz No	Parça Adı Part Name	Malzeme Material
01	Gövde / Body	CuSn10 / GG25
02	Klape / Disc	CuSn10 / AISI 316 / GGG40
03	Mil / Spindle	AISI 316
04	Yay / Spring	AISI 316
05	O - Ring	EPDM / NBR
06	Kör Tapa / Blunt Stoper	CuSn10

Uygulamalar / Applications:

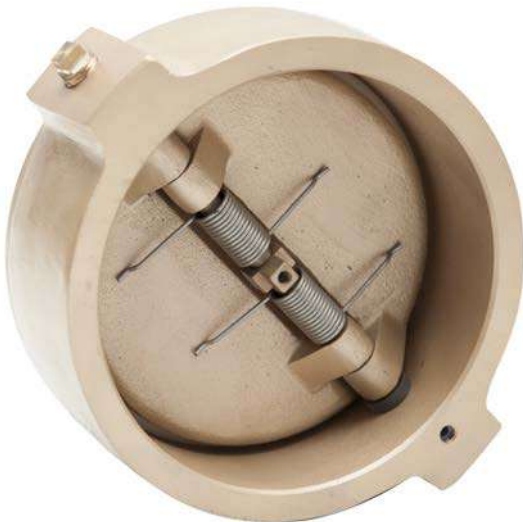
- Isıtma, soğutma ve havalandırma sistemleri için, su, sıcak su (90°C'ye kadar) ve diğer Nötr akışkanlar
- Water, hot water (up to 90°C) and other neutral fluids to be used in heating, cooling & ventilating systems

Bağlantılar / Ends:

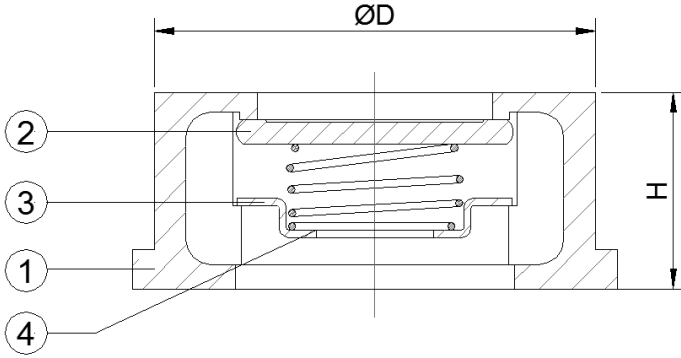
- Wafer tip DIN 2501'e (DIN EN 1092) uygun iki flanş arasına
- Wafer type, between two flanges acc. To DIN 2501 (DIN EN 1092)

Flanşlar Arası / Face to face:

- DIN 3202-K4


Boyutlar / Dimensions

DN	Size	A	B	E	AĞIRLIK Weight
40	1 1/2"				1,0
50	2"	107	65	43	1,3
65	2 1/2"	127	80	46	1,9
80	3"	142	94	64	3,0
100	4"	162	117	64	4,0
125	5"	192	145	70	6,0
150	6"	218	170	76	7,5
200	8"	273	224	89	12
250	10"	328	265	114	
300	12"	382	310	114	


Parça Listesi / Part List

Poz No	Parça Adı Part Name	Malzeme Material
01	Gövde / Body	CuSn10/Ms58/AISI316
02	Klape / Disc	Paslanmaz Çelik / Stainless Steel 1.4301 1.4401
03	Yay Tablası/ Spring Plate	Paslanmaz Çelik / Stainless Steel 1.4301 1.4401
04	Yay / Spring	Paslanmaz Yay Çeliği Stainless Spring Steel

Uygulamalar / Applications:

- Isıtma soğutma ve havalandırma sistemleri için;
Su, Sıcak su, buhar ve diğer Nötr Akışkanlar
Water, Hot Water, Superheated Water steam and,
other neutral Fluids to be used in heating, Cooling &
ventilating System

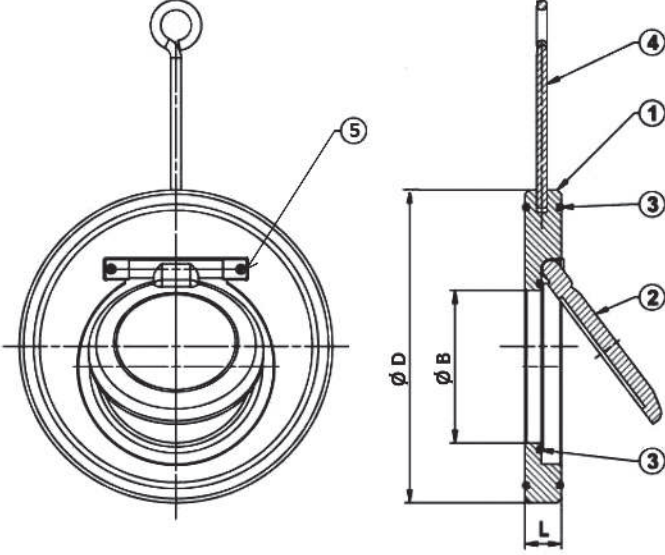
Bağlantılar / Ends:

- DIN 2501'e uygun iki flanş arasına
Between two flanges acc. to DIN 2501
- DIN 3202 - K4


Boyutlar / Dimensions

DN	Size	H	D	AĞIRLIK Weight
10	20	28	-	
15	1/2"	16	40	0,09
20	3/4"	19	47	0,14
25	1"	22	56	0,21
32	1 1/4"	28	72	0,55
40	1 1/2"	32	86	0,6
50	2"	40	100	0,85
65	2 1/2"	46	121	1,65
80	3"	50	137	1,9
100	4"	60	157	3,15
125	5"	90	184	5,1
150	6"	106	209	12
200	8"	140	264	23

Basınç Kademesi Pressure Rating	Basınç Pressure in (Bar)	Max. Sıcaklık Max. Temp. in (°C)	Min. Sıcaklık Min. Temp. in (°C)
PN 16	16	120	-40
	15	180	
	14	200	
	13	250	


Parça Listesi / Part List

Poz No	Parça Adı Part Name	Malzeme Material
01	Gövde / Body	CuSn10/AISI304
02	Klape / Disc	CuSn10
03	O-Ring	NBR
04	Eye Bolt	Paslanmaz Çelik / Stainless Steel
05	Cıvata / Bolt	MS 58

Açıklamalar / Explanations:

- Çalışma sıcaklığı 80° C ye kadardır.
Working temperature up to 80° C
- Nominal basıncı / Nominal pressure
DN 50- DN 150 = 16 bar
DN 200- DN 300 = 10 bar

Bağlantılar / Ends:

- Flanş bağlantısı DIN 2501
Flanged ends acc. To DIN 2501

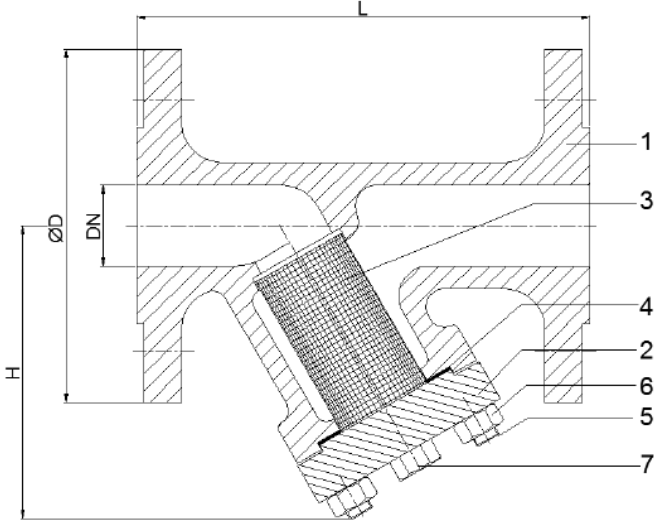

Boyutlar / Dimensions

DN	PN	Size	D	B	L	
40	16	1 1/2"	91	22	16	
50		2"	109	30		
65		2 1/2"	129	37		
80		3"	144	48		
100		4"	164	70		
125		5"	191	92		
150	10	6"	218	114	28	
200		8"	270	143		
250		10"	325	190		
300		12"	376	214		38

PİSLİK TUTUCU / ÇAMUR SANDIĞI

STRAINER / MUD BOX

Pislik Tutucu Strainer	47
Çamur Sandığı L Tip L Type Mud Box	48
Düz Çamur Sandığı Straight Type Mud Box	49
Köşe Çamur Sandığı Angle Type Mud Box	50


Parça Listesi / Part List

Poz No	Parça Adı Part Name	Malzeme Material
01	Gövde / Body	Paslanmaz Çelik/Stainless Steel CuSn10 / GGG40.3 GG25 / GGG 40
02	Kapak / Bonnet	
03	Filtre / Screen	Paslanmaz Çelik/Stainless Steel 1.4301 / 1.4401
04	Kapak Contası / Gasket	Asbestsiz Conta / Asbestos Free
05	Saplama / Stud	CK 35
06	Somun / Nut	Çelik / Steel
07	Körtapa/ Plug	Çelik / Steel

Uygulamalar / Applications:

- Buhar / Steam
- Kızgın Su / Hot Water
- Hava ve diğer Nötr Akışkanlar
Air and other Neutral Fluids

Çalışma Şartları / Working Conditions:

- DIN 2401'e göre / As per DIN 2401

Bağlantılar / Ends:

- DIN 2501' e (DIN EN 1092) göre flanşlı
Flanged as per DIN 2501 (DIN EN 1092)

Vana Boyu / Face to Face:

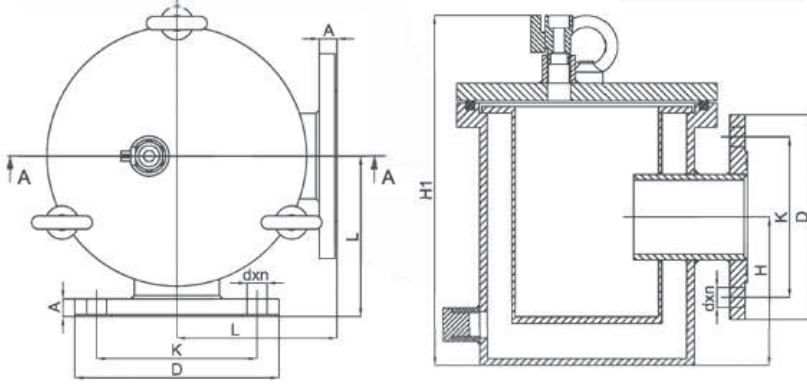
- DIN 3202-F1 (DIN EN 558-1)


Boyutlar / Dimensions

DN	Size	L	H	D	AĞIRLIK Weight
20	3/4"	150	100	86	3
25	1"	160	107	92	3,5
32	1 1/4"	180	114	100	5,5
40	1 1/2"	200	124	108	6,5
50	2"	230	141	120	9,5
65	2 1/2"	290	201	140	15
80	3"	310	232	150	22
100	4"	350	248	172	25
125	5"	400	295	200	44
150	6"	480	355	226	63
200	8"	600	425	288	121
250	10"	730	535	340	174
300	12"	850	615	392	264

Standart Filtre Ölçüleri / Standart Screen Sizes

DN / Size	MESH (ASTM)	Delik Sayısı/cm Hole Number/cm	s (mm) Delik Aralığı Hole Size	d (mm) Tel Çapı Wire Diameter	w Micron
15 - 50	25	100	0,60	0,40	600
65 - 150	12	25	1,20	0,80	1200
200 - 350	10	16	1,50	1,00	1500


Parça Listesi / Part List

Poz No	Parça Adı Part Name	Malzeme Material
01	Gövde / Body	Boru / Pipe DIN2448
02	Boru / Pipe	
03	Süzgeç / Filter	St37/CrNi
04	Conta / O-ring	NBR
05	Kapak / Cover	St37

Uygulamalar / Applications:

- Pompa devrelerinde kirlenmeye karşı kullanılmaktadır
It is used in pump circuits against contamination

Bağlantılar / Ends:

- TS EN 1092-1

Vana Boyu / Face to Face:

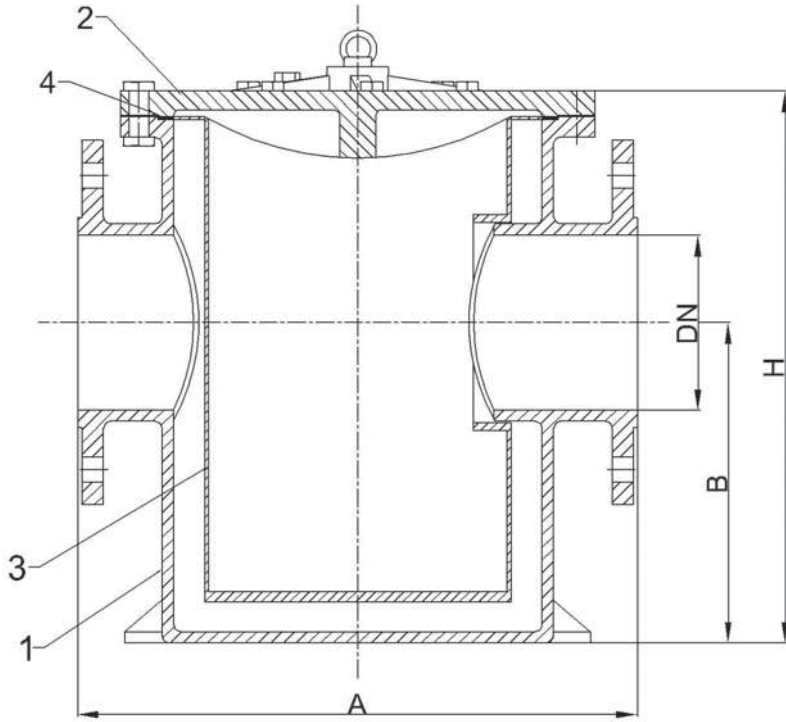
- DIN 87151

Çalışma Sıcaklığı / Working Temperature:

- -10 / +120 °C


Boyutlar / Dimensions

DN	D	K	A	dxn	L	H	H1	Ağırlık Weight (kg)
15	95	65	14	14x4	125	95	280	10
20	105	75	16					11
25	115	85	18	18x4	125	95	280	11
32	140	100						11,5
40	150	110	20	18x4	135	106	300	12
50	165	125						18
65	185	145	22	18x8	150	134	330	26
80	200	160						20
100	220	180	24	18x8	175	156	380	33
125	250	210						22
150	285	240	26	22x8	195	185	400	36
200	340	295						24
250	405	355	29	26x12	220	229	455	58
300	460	410						26
			32	26x12	270	268	510	76
								29
			32	26x12	300	335	610	140
								32
			32	26x12	325	325	635	180
								32
			32	26x12	375	375	710	215
								32


Parça Listesi / Part List

Poz No	Parça Adı Part Name	Malzeme Material
1	Gövde / Body	Rg-5/Rg-10
2	Kapak / Bonnet	Rg-5/Rg-10
3	Filtre / Basket	AISI316/CuNi910
4	Oring / O-ring	NB4

Uygulamalar / Applications:

- Pompa devrelerinde kirlenmeye karşı kullanılmaktadır
It is used in pump circuits against contamination

Bağlantılar / Ends:

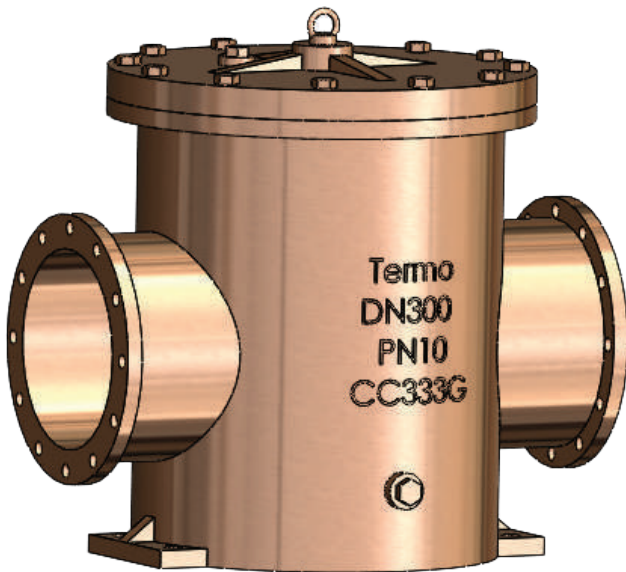
- TS EN 1092-1

Vana Boyu / Face to Face:

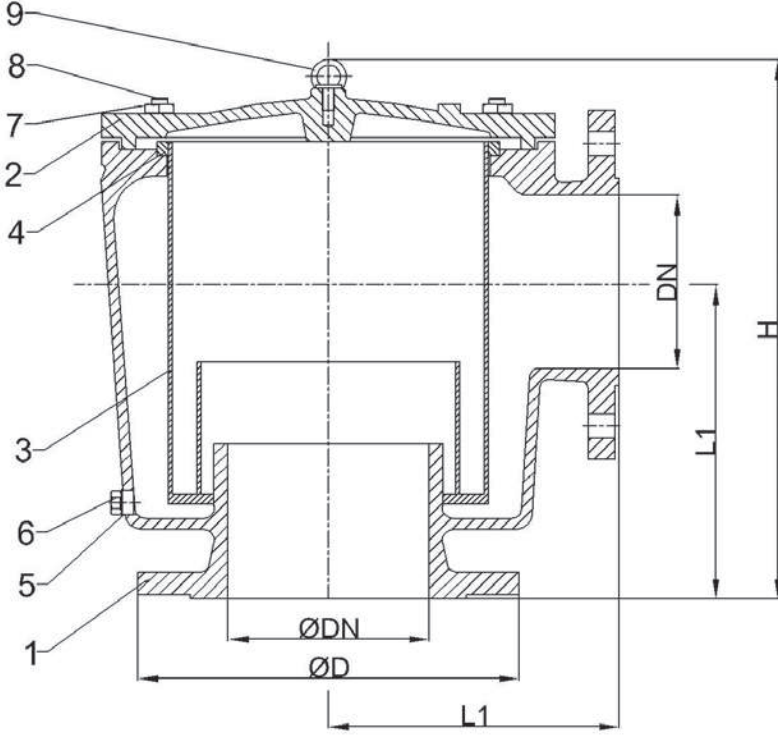
- DIN 87151

Çalışma Sıcaklığı / Working Temperature:

- -10 / +120 °C


Boyutlar / Dimensions

DN	A	B	H
40	220	87	225
125	480	220	500
150	480	220	500
200	480	360	720
250	690	360	720
300	690	360	720
400	773	360	810
500	1012	700	1230
600	1200	700	1230
700	1600	500	1165


Parça Listesi / Part List

Poz No	Parça Adı Part Name	Malzeme Material
1	Gövde / Body	Rg5, Rg10
2	Kapak / Bonnet	Rg5, Rg10
3	Filtre / Basket	Stainless Steel-1.4404
4	Oring / O-ring	NBR
5	Pul / Washer	A4
6	Kör Tapa / Plug	A4
7	Somun / Nut	A4
8	Saplama / Stud Bolt	A4
9	Aybolt / Eye-bolt	A4

Uygulamalar / Applications:

- Pompa devrelerinde kirlenmeye karşı kullanılmaktadır
It is used in pump circuits against contamination

Bağlantılar / Ends:

- TS EN 1092-1

Vana Boyu / Face to Face:

- DIN 87151

Çalışma Sıcaklığı / Working Temperature:

- -10 / +120 °C


Boyutlar / Dimensions

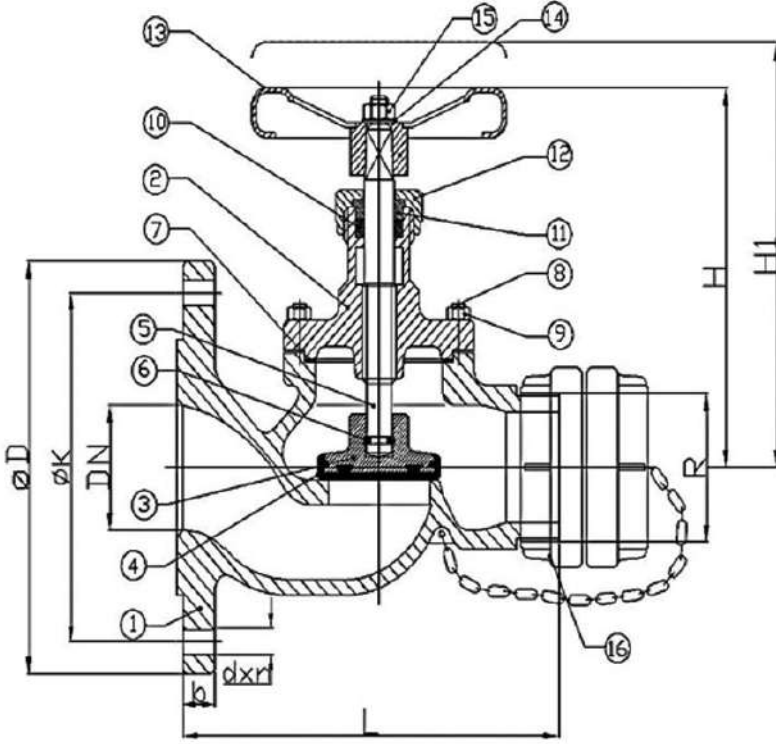
DN	Hmax	L1	D	økxnxđ	Ağırlık Weight (kg)
25	200	100	115	85x4x14	11
32	250	105	140	100x4x14	13
40	250	125	150	110x4x18	16
50	260	135	165	125x4x18	20
65	275	150	185	145x4x18	28
80	350	175	200	160x8x18	38
100	365	195	220	180x8x18	53
125	425	220	250	210x8x18	73
150	480	270	285	240x8x18	89
200	550	300	340	295x12x22	133
250	665	390	405	355x12x22	163
300	795	450	460	410x12x22	185



YANGIN VANALARI

FIRE VALVES

Yangın Valfi Düz Tip Fire Valve Straight Type	53
Yangın Valfi Köşe Tip Fire Valve Angle Type	54


Parça Listesi / Part List

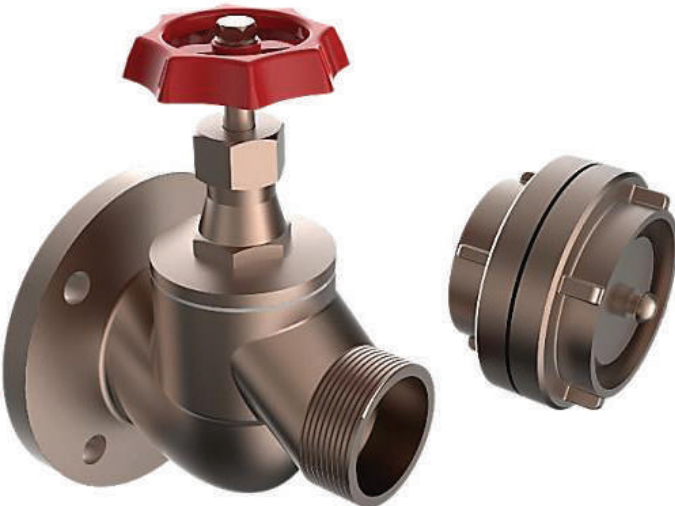
Poz No	Parça Adı Part Name	Malzeme Material
01	Gövde / Body	Bronz Rg10 (G-CuSn10Zn)
02	Kapak / Bonnet	Bronz Rg10 (G-CuSn10Zn)
03	Klape / Disc	Al-Bronz (CuAl10Ni)
04	Lastik / Rubber	EPDM / NBR
05	Mil / Spindle	Al-Bronz (CuAl10Ni)
06	Pim / Pin	Paslanmaz Çelik Stainless Steel AISI316
07	Kapak Contası Gasket	Asbestsiz conta Asbestos free
08	Saplama / Stud	Paslanmaz Çelik Stainless Steel AISI316
09	Somun / Nut	Paslanmaz Çelik Stainless Steel AISI316
10	Ring	Saf Grafit/ Pure Graphite
11	Baskı / Gland	Bronz Rg10 (G-CuSn10Zn)
12	Salmastra Somunu Packing Nut	Bronz Rg10 (G-CuSn10Zn)
13	Volant / Handwheel	Dökme Demir/Çelik Cast Iron/Steel
14	Düz Pul / Washer	Paslanmaz Çelik Stainless Steel AISI316
15	Somun / Nut	Paslanmaz Çelik Stainless Steel AISI316
16	Rakor	Bronz Rg10 (G-CuSn10Zn)

Flanş Ölçüleri / Flange Dimensions:

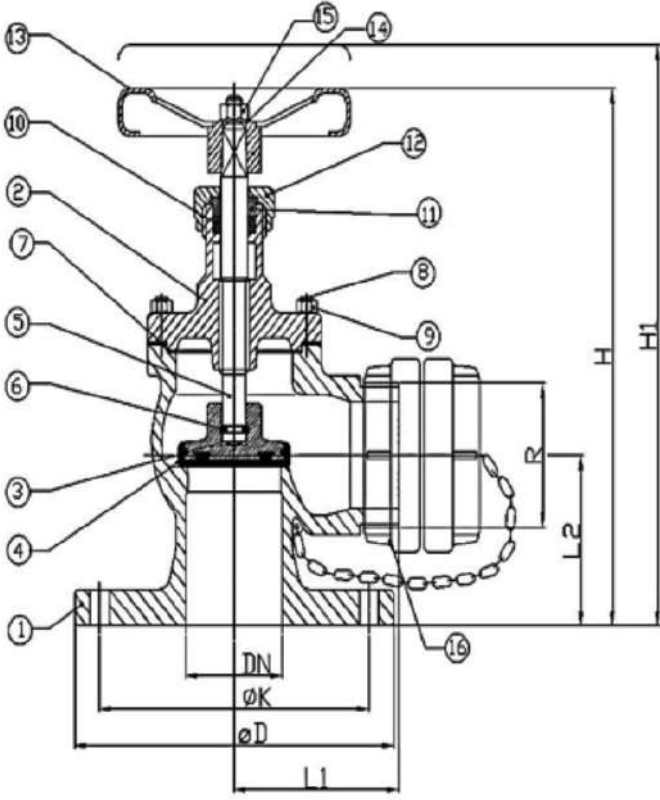
- DIN EN 1092-1PN16 Type A (Flat face)

Testler / Tests:

- TS EN 12266-1


Boyutlar / Dimensions

PN	16	16
DN	50	65
R	2"	2 1/2"
ØD	165	185
ØK	125	145
L	155	180
H	242	282
H1	262	307
B	17	17
dxn	18x4	18x4


Flanş Ölçüleri / Flange Dimensions:

- DIN EN 1092-1PN16 Type A (Flat face)

Testler / Tests:

- TS EN 12266-1


Parça Listesi / Part List

Poz No	Parça Adı Part Name	Malzeme Material
01	Gövde / Body	Bronz Rg10 (G-CuSn10Zn)
02	Kapak / Bonnet	Bronz Rg10 (G-CuSn10Zn)
03	Klape / Disc	Al-Bronz (CuAl10Ni)
04	Lastik / Rubber	EPDM / NBR
05	Mil / Spindle	Al-Bronz (CuAl10Ni)
06	Pim / Pin	Paslanmaz Çelik Stainless Steel AISI316
07	Kapak Contası Gasket	Asbestsiz conta Asbestos free
08	Saplama / Stud	Paslanmaz Çelik Stainless Steel AISI316
09	Somun / Nut	Paslanmaz Çelik Stainless Steel AISI316
10	Ring	Saf Grafit/ Pure Graphite
11	Baskı / Gland	Bronz Rg10 (G-CuSn10Zn)
12	Salmastra Somunu Packing Nut	Bronz Rg10 (G-CuSn10Zn)
13	Volant / Handwheel	Dökme Demir/Çelik Cast Iron/Steel
14	Düz Pul / Washer	Paslanmaz Çelik Stainless Steel AISI316
15	Somun / Nut	Paslanmaz Çelik Stainless Steel AISI316
16	Rakor	Bronz Rg10 (G-CuSn10Zn)

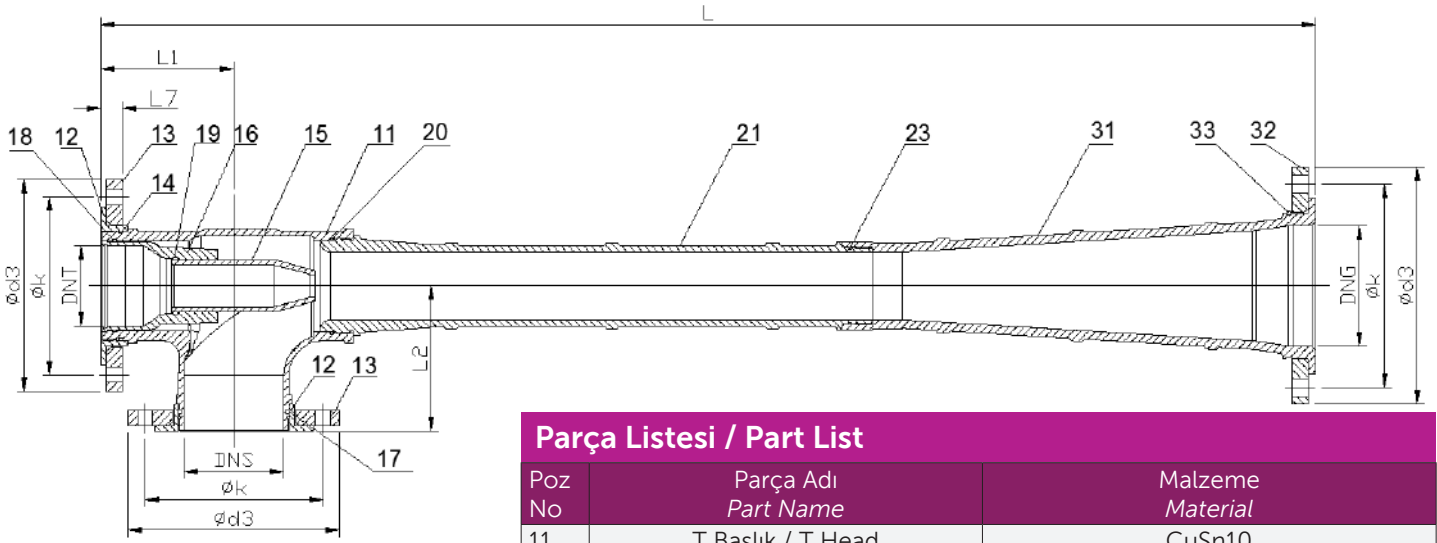
Boyutlar / Dimensions

Boyut	Boyut	Boyut
PN	16	16
DN	50	65
R	2"	2 ^{1/2} "
ØD	165	185
ØK	145	165
L1	75	95
L2	75	90
H	297	347
H1	317	377
dxn	18x4	18x4



DİĞER VANALAR OTHER VALVES

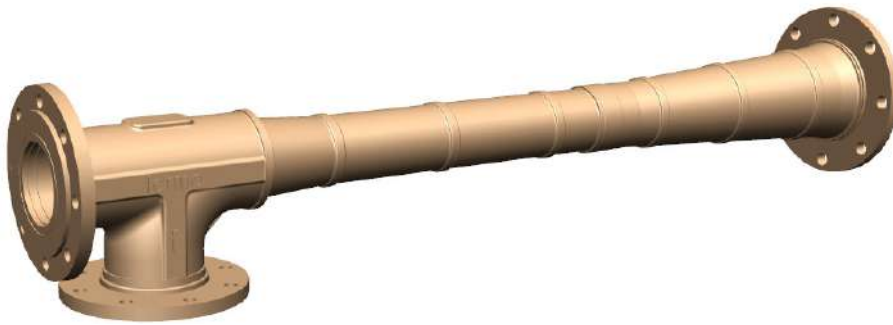
Ejekter Ejector	57
Storm Valf Strom Valve	58
Gönye Tip Storm Valf Angle Type Storm Valve	59
Ani Kapama Valfi Quick Closing Valve	60
Hava Firar Başlığı Tank Ventilation Head	61
Çiftli Dreyn Vanası Duplex Drain Valve	62
Basmalı Tekli Dreyn Vanası Single Drain Valve, Push Down	63
Tekli Dreyn Vanası Single Drain Valve	64
Ağırlıklı İskandil Weighted Sound Valve	65
Gözetleme Camı Sight Glass	66
Debi Ayar Valfi Balance Valve	67
Emniyet Ventili-Dişli Pressure Relief Valve-Threaded	69
Basınç Düşürücü-Flanşlı Pressure Reducing Valve-Flanged	70


Parça Listesi / Part List

Poz No	Parça Adı Part Name	Malzeme Material
11	T Başlık / T Head	CuSn10
12	Burçlanmış flanş / Flange bushing	CuSn10
13	Serbest flanş / Loose flange	Paslanmaz Çelik / Stainless steel 1.4301
14	T Başlık / T Head O-Ringi	NBR
15	Nozul / Nozzle	CuSn10
16	Nozul Yuvası / Nozzle Holder	CuSn10
17	O-Ring	NBR
18	Nozul yuvası / Nozzle Holder O-Ringi	NBR
19	Nozul / Nozzle O-Ringi	NBR
20	O-Ring	NBR
21	Karıştırıcı Orta Gövde / Mixer Body	CuSn10
23	Karıştırıcı Orta Gövde / Mixer Body O-Ringi	NBR
31	Püskürtücü Gövde Injektor Body	CuSn10
32	Serbest flanş / Loose flange	Paslanmaz Çelik / Stainless steel 1.4301
33	Segman / Circlip	CuSn10

Bağlantılar / Ends:

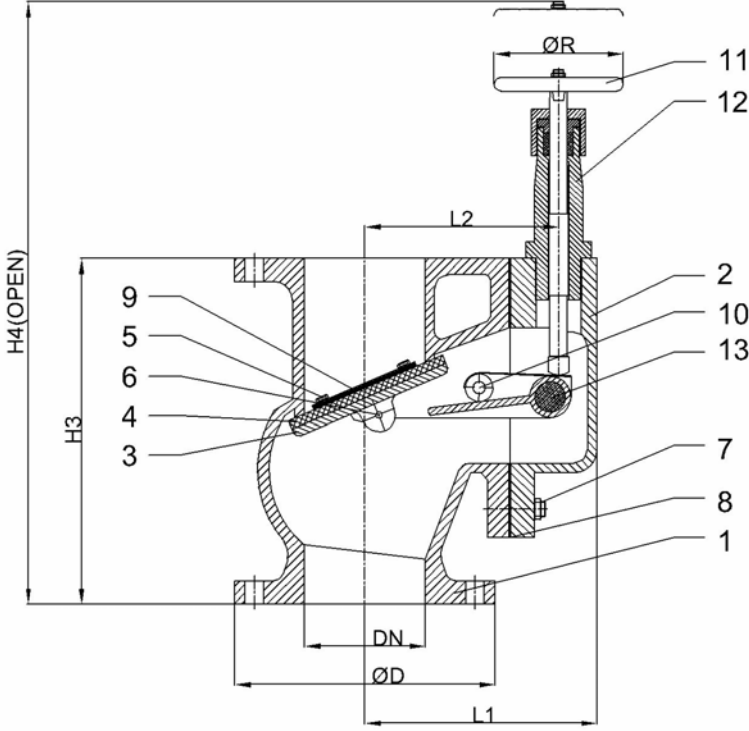
- PN 10, flanş bağlantıları VG 85011-3
- PN 10, flanged as per VG 85011-3


Boyutlar / Dimensions

DN	ANA BOYUTLAR MAIN DIMENSIONS			BAĞLANTI BOYUTLARI CONNECTION DIMENSIONS			AĞIRLIK Weight (kg)
	DNG	L	L1	L2	DNS	DNT	
65	620	70	115	50	50	65	13
80	765	85	125	65	65	80	20
100	948	108	140	80	80	100	29
125	1205	140	150	100	100	125	48
150	1440	157	170	118	108	142,6	55,5
200	1835	160	180	150	150	200	85

Flanş Oranları / Flange Rating

DN	PN	a	d1	d2	d3	d4	k	s	Delik Sayısı Hole No	M10
65	10	12	70	98	140	72	116	5	8	
80			80	108	150	85	126			
100			100	130	172	103	148			
125		14	14	125	158	200	128	176	5,5	10
150				150	184	226	154	202		12
175				185	212	264	188	240		14
200	210			237	288	213	264	16		


Parça Listesi / Part List

Poz No	Parça Adı Part Name	Malzeme Material
01	Gövde / Body	Rg5/GGG40.3/GSC25
02	Kapak / Bonnet	Rg5
03	Plaka / Disc	Rg5
04	Disk halkası / Disc ring	EPDM
05	Saplama / Bolt	Ck35
06	Disk mili / Disc pin	X5CrNiMo 1810
07	Somun ve vida / Stud&nut	Ck35
08	Asbestoslu plaka / Gasket	EPDM
09	Baskı tabakası / Pres plate	Rg5
10	Merkez mili / Center pin	MS 58
11	Volant / Handwheel	GG 25
12	Kilitleme mekanizması Locking device	Rg5
13	Disk kaldırıcı / Disc lever	Rg5

Uygulamalar / Applications:

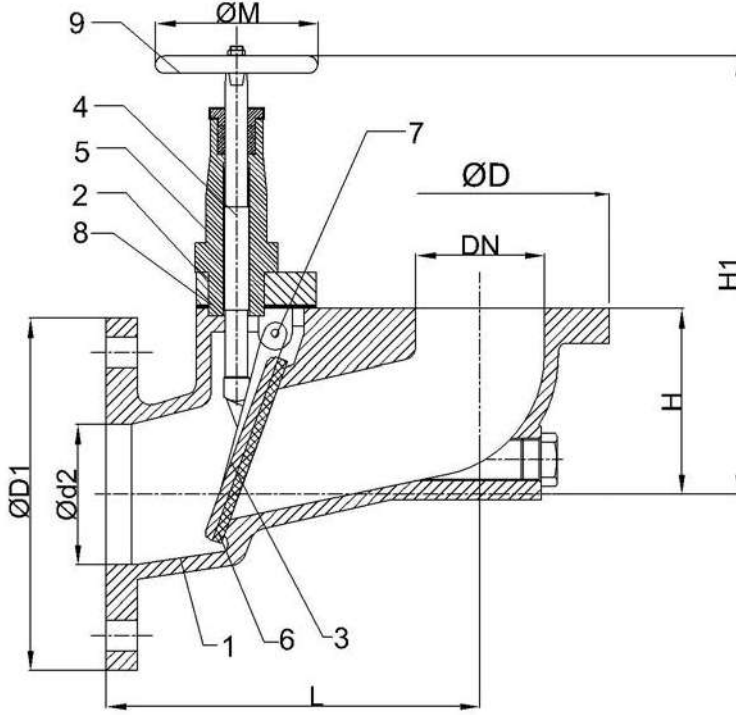
- Boru hatlarının temiz boşaltılmasında
Discharge of sanitary pipe lines

Bağlantılar / Ends:

- DIN 2532 (PN10) ve VG 85011-3 göre flanşlar
Flanged as per DIN 2532 (PN10) and
VG 85011-3


Boyutlar / Dimensions

PN	DN / Size	ØD (DIN2532)	ØK	ØD1 (VG85011-3)	L	H	H1	H2 (OPEN)	H3	ØR	KG
10	50	120	165	147	122	200	370	140	20	140	14,8
	65	140	185	157	132	240	405	160	28,2	160	21
	80	150	200	190	160	260	420	160	31,5	160	25,2
	100	172	220	200	165	300	500	160	45,2	160	40
	125	200	250	235	195	350	570	200	70,2	200	55,6
	150	226	285	257	220	400	615	200	83	200	68,2
	200	288	340	280	237	500	725	250	115,5	250	94,5


Parça Listesi / Part List

Poz No	Parça Adı Part Name	Malzeme Material
1	Gövde / Body	Rg5, Rg10
2	Kapak / Bonnet	Rg5, Rg10
3	Plaka / Disc	Rg5, Rg10
4	Mil / Stem	Brass
5	Mil Somunu / Stem nut	Brass
6	Klape Contası / Sealing	NBR
7	Mil / Pin	Stainless Steel 1.4404
8	Conta / Gasket	Klingerit
9	Volan / Handwheel	Cast Iron - GG25

Uygulamalar / Applications:

- Pis su çıkışlarında kullanılmaktadır
It is used in sewage outputs

Bağlantılar / Ends:

- TS EN 1992-1+A1

Vana Boyu / Face to Face:

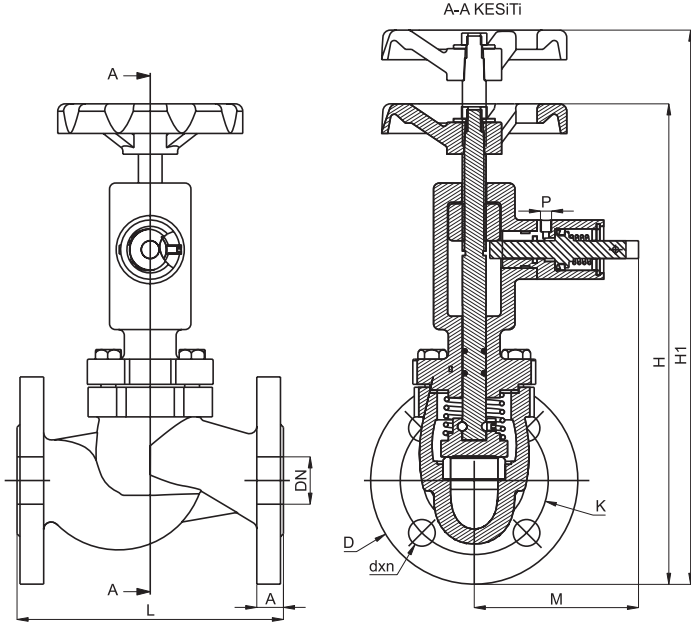
- DIN 87101

Çalışma Sıcaklığı / Working Temperature:

- -10 / +60 °C


Boyutlar / Dimensions

DN	H	H1	L	D	D1	d2	M	Økxnd	Ağırlık Weight (kg)
50	90	260	180	165	200	68	140	125x4x18	15
65	100	270	200	185	220	85	140	145x4x18	21
80	110	290	215	200	250	100	140	160x8x18	27
100	130	305	250	220	285	130	140	180x8x18	37
125	150	330	290	250	315	160	160	210x8x18	51
150	175	350	330	285	340	190	160	240x8x18	73


Parça Listesi / Part List

Poz No	Parça Adı Part Name	Malzeme Material
01	Gövde / Body	Rg5/GGG40.3/GSC25
02	Kapak / Bonnet	
03	Sit / Seat	X5CrNi189
04	Klape / Disc	X5CrNi189
05	Mil / Spindle	X5CrNi189
06	Yay / Spring	Çelik/steel
07	Kapak contası / Gasket	Astbezsiz conta/Asbestos free
10	Volant / Handwheel	GG 25

Uygulamalar / Applications:

- Yakıt devrelerinde uzaktan kumandalı kapama valfi olarak kullanılır
It is used as a quick closing valve at fuel circuits with remote control

Çalışma Şartları / Working Conditions:

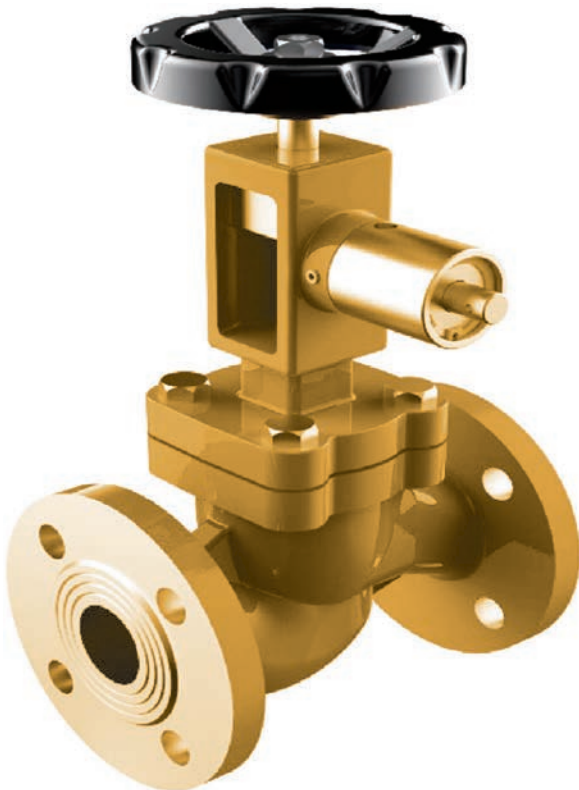
- DIN 2401'e göre / As per DIN 2401

Bağlantılar / Ends:

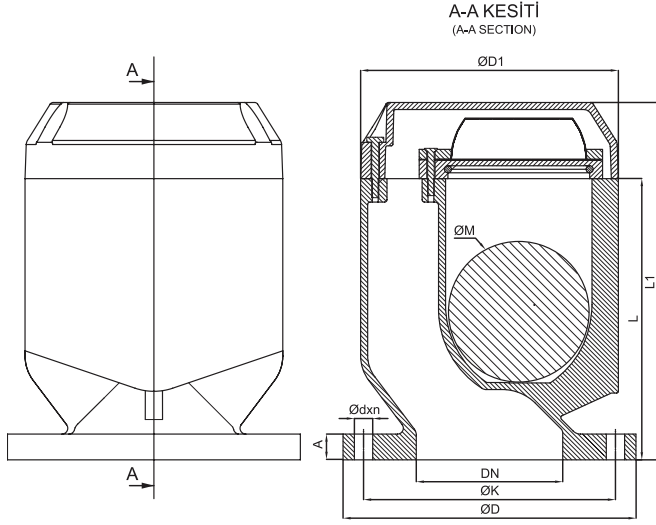
- DIN 2501' e göre flanşlı
Flanged as per DIN 2501

Vana Boyu / Face to Face:

- DIN 3202-F1


Boyutlar / Dimensions

DN	D	K	A	dxn	L	M	P	H	H1	Ağırlık Weight (kg)		
15	95	65	16	14x4	130	113	1/8"	277	285	6,15		
20	105	75	18		150			287	297	7,10		
25	115	85			180			292	304	8,00		
32	140	100		18x4	200	320		333	10,55			
40	150	110	230		351	362		12,55				
50	165	125	290		362	382		15,30				
65	185	145	20	18x8	310	123		430	455	26,50		
80	200	160			350			455	485	42,65		
100	220	180			400			540	580	51,00		
125	250	210	22	22x8	480	133		582	632	95,00		
150	285	240					22x12	600	153	610	670	130,00
200	340	295								24	610	670


Parça Listesi / Part List

Poz No	Parça Adı Part Name	Malzeme Material
01	Gövde / Body	GGG40.3 / GSC25 Rg5 / GG 25 / Aisi 304 / Aisi 316
02	Top / Ball	THERMOPLASTIC BALL
03	Conta / Gasket	RESISTUT TO SEA WATER AND F.O.VOPORS PLASTIC
04	Tel / Fibre-Flame	AISI 304
05	Kapak / Bonnet	GGG40.3 / GSC25 Rg5 / GG 25 / Aisi 304 / Aisi 316


Uygulamalar / Applications:

- Gemide bulunan bütün tankların havalandırılmasında kullanılmaktadır.
It is used in all tanks of ship for ventilation.

Bağlantılar / Ends:

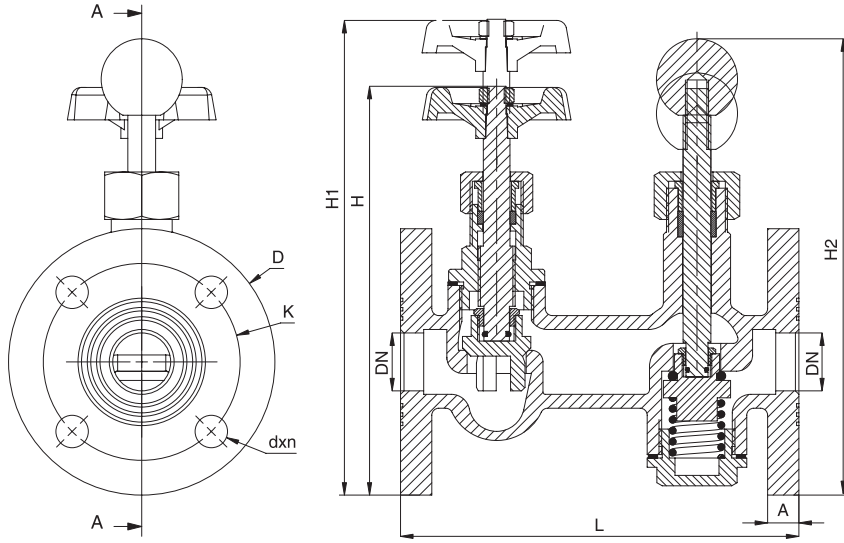
- TS EN 1092-1+A1

Çalışma Sıcaklığı / Working Temperature:

- 10 / +120 °C

Boyutlar / Dimensions

DN	40			50			65			80			100			125			150			200			250			300		
	TS EN 1092	JIS B2220	NS 2527	TS EN 1092	JIS B2220	NS 2527	TS EN 1092	JIS B2220	NS 2527	TS EN 1092	JIS B2220	NS 2527	TS EN 1092	JIS B2220	NS 2527	TS EN 1092	JIS B2220	NS 2527	TS EN 1092	JIS B2220	NS 2527	TS EN 1092	JIS B2220	NS 2527	TS EN 1092	JIS B2220	NS 2527			
øD	150	140	150	165	155	165	185	175	185	200	185	200	220	210	220	250	250	250	285	280	285	340	330	340	405	400	405	460	445	460
øK	110	105	110	125	120	125	145	140	145	160	150	160	180	175	180	210	210	210	240	240	240	295	290	295	355	355	355	410	400	410
A	18	16	16	18	16	18	18	18	18	20	18	20	20	18	22	22	20	24	22	22	24	24	22	26	26	24	32	28	24	32
ødxn	18x4	19x4	18x4	18x4	19x4	18x4	18x4	19x4	18x4	18x8	19x8	18x8	18x8	19x8	18x8	18x8	23x8	18x8	22x8	23x8	22x8	22x12	23x12	22x12	26x12	25x12	26x12	26x12	25x16	26x12
øD1	105			105			135			160			185			225			270			380			480			550		
L	125			125			140			165			200			240			290			385			470			590		
L1	160			160			185			220			260			305			370			475			590			740		
øM	45			45			57			75			90			120			145			195			245			290		
Ağırlık Weight (kg)	5,00			5,60			8,00			11,00			15,00			20,00			32,00			67,00			106,00			174,00		


Parça Listesi / Part List

Poz No	Parça Adı Part Name	Malzeme Material
01	Gövde / Body	Rg5 / GGG 40.3 / Rg 10 (CuSn10Zn)
02	Kapak / Bonnet	
03	Conta / Gasket	KLINGRIT (Non Asbestos)
04	Salmastra / Packing	TEFLON (P.T.F.E.)
05	Baskı Somunu Edition Nut	MS 58 / GGG 40.3
06	Mil / Spindel	MS 58 / Aisi 304
07	Volant / Handwheel	Rg5 / GG 25 / Rg 10 (CuSn10Zn)
08	Disk / Disc	
09	Topuz / Knob	PLASTIC
10	Baskı Somunu Edition Nut	MS 58 / GGG 40.3
11	Salmastra / Packing	TEFLON (P.T.F.E.)
12	Mil / Spindel	MS 58 / Aisi 304
13	Disk / Disc	
14	Yay / Spring	PEN STEEL
15	Conta / Gasket	KLINGRIT (Non Asbestos)
16	Tapa / Cap	Rq5 / GGG 40.3 / Rq 10


Çalışma Alanı / Working Area:

- Fuel-Oil, Mazot ve yağ tanklarının dreyn edilmesinde kullanılır.
It is used in drainage of the fuel-oil, diesel oil and oil tanks.

Bağlantılar / Ends:

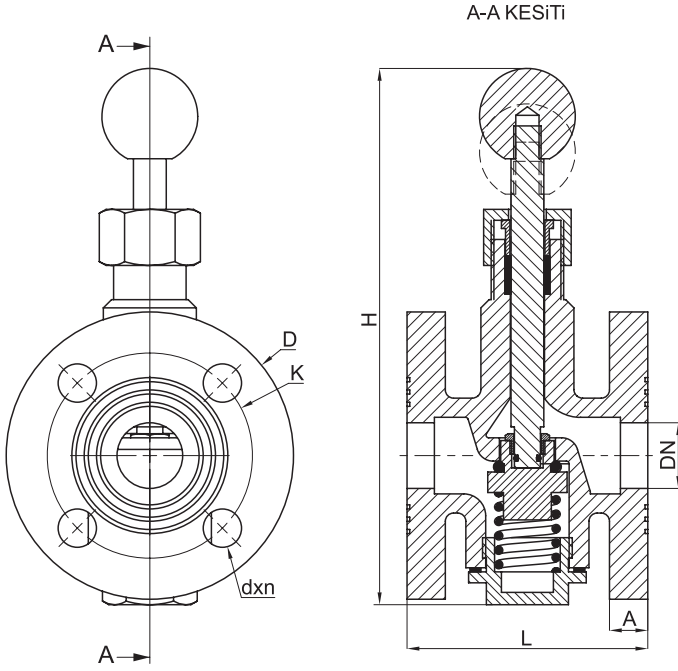
- TS EN 1092-1+A1

Çalışma Sıcaklığı / Working Temperature:

- 10 / +120 °C

Boyutlar / Dimensions

DN	D	K	A	dxn	H	H1	H2	L	Ağırlık Weight (kg)
20	105	75	14	14x4	172	179	192	172	4,30
25	115	85	14	14x4	177	184	197	172	4,85
50	165	125	18	18x4	250	275	290	245	12,60


Parça Listesi / Part List

Poz No	Parça Adı / Part Name	Malzeme / Material
01	Gövde / Body	Rg5 / GGG 40.3 / Rg 10 (CuSn10Zn)
02	Mil / Spindel	MS 58 / Aisi 304
03	Topuz / Knob	PLASTIC
04	Salmastra / Packing	TEFLON (P.T.F.E.)
05	Baskı Somunu / Edition Nut	MS 58 / GGG 40.3
06	Conta / Gasket	KLINGRIT (Non Asbestos)
07	Disk / Disc	MS 58 / Aisi 304
08	Yay / Spring	PEN STEEL
09	Tapa / Cap	Rg5 / GGG 40.3


Çalışma Alanı / Working Area:

- Fuel-Oil, Mazot ve yağ tanklarının dreyn edilmesinde kullanılır.
It is used in drainage of the fuel-oil, diesel oil and oil tanks.

Bağlantılar / Ends:

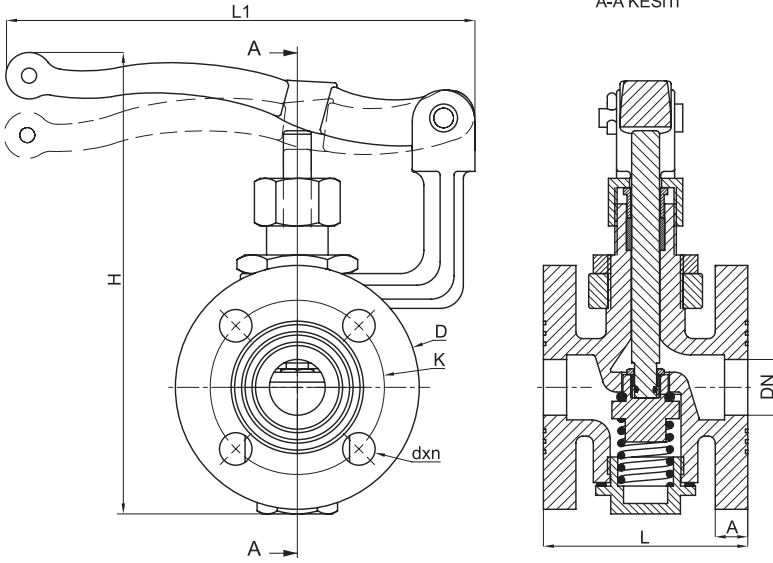
- TS EN 1092-1+A1

Çalışma Sıcaklığı / Working Temperature:

- 10 / +120 °C

Boyutlar / Dimensions

DN	D	K	A	dxn	H	H1	H2	L	Ağırlık / Weight (kg)
20	105	75	14	14x4	197	88	3,20	172	4,30
25	115	85	14	14x4	197	88	3,60	172	4,85


Parça Listesi / Part List

Poz No	Parça Adı Part Name	Malzeme Material
01	Gövde / Body	Rg5 / GGG 40.3 / Rg 10 (CuSn10Zn)
02	Sabit Kol / Fixed Handle	Rg5 / GGG 40.3 / Rg 10 (CuSn10Zn)
03	Salmastra / Packing	TEFLON (P.T.F.E.)
04	Baskı Somunu Edition Nut	MS 58 / GGG 40.3
05	Haraketli Kol Active Handle	Rg5 / GGG 40.3
06	Mil / Spindel	MS 58 / Aisi 304
07	Conta / Gasket	NBR
08	Disk / Disc	MS 58
09	Yay / Spring	PEN STEEL
10	Conta / Gasket	KLINGRIT (Non Asbestos)
11	Tapa / Cap	Rg5 / GGG 40.3

Çalışma Alanı / Working Area:

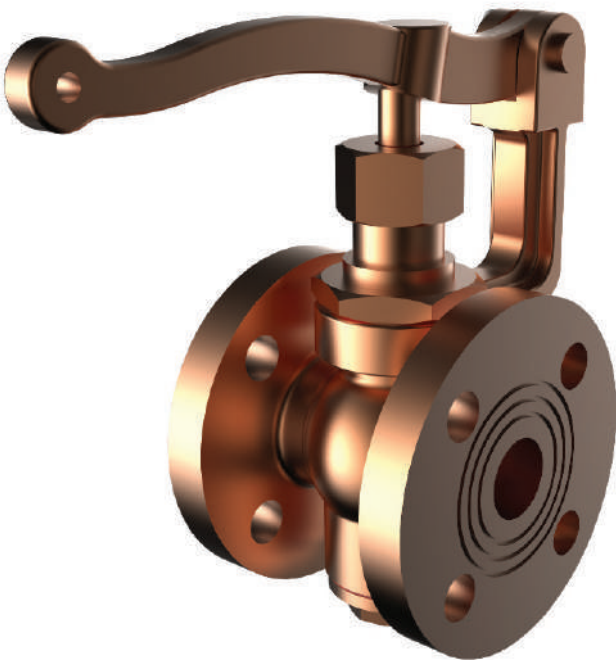
- Fuel-Oil, Mazot ve yağ tanklarının dreyn edilmesinde kullanılır.
It is used in drainage of the fuel-oil, diesel oil and oil tanks.

Bağlantılar / Ends:

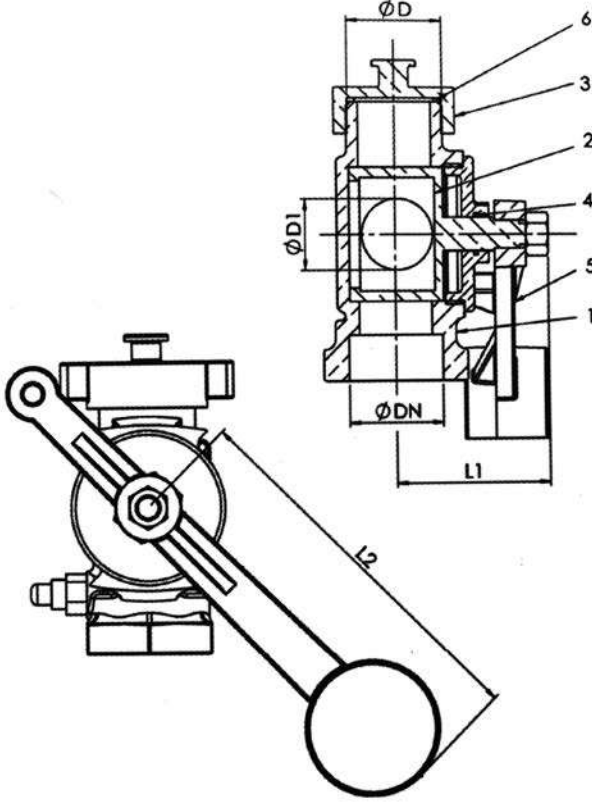
- TS EN 1092-1+A1

Çalışma Sıcaklığı / Working Temperature:

- 10 / +120 °C


Boyutlar / Dimensions

DN	D	K	A	dxn	H	L	L1	Ağırlık Weight (kg)
20	105	75	14	14x4	197	88	205	3,50
25	115	85						3,90


Parça Listesi / Part List

Poz No	Parça Adı Part Name	Malzeme Material
1	Gövde / Body	Rg5, Rg10, GGG40
2	Silindir / Cylinder	
3	Tapa / Cap	
4	Oring / O-ring	NBR
5	Ağırlık / Lever	Cast Iron
6	Conta / Sealing	NBR
7	Zincir / Chain	Stainless Steel-1.4401

Çalışma Alanı / Working Area:

- Tankların iskandilinde kullanılır. Gövdesinde açılmadan önce hava almak için vanası bulunmaktadır. Bu yana loyd kuruluşlarının istekleri doğrultusunda geniş kalibreye sahip olarak üretilmektedir.

It is used in the tanks plug. There is a drain valve to take air on the body, before opening.

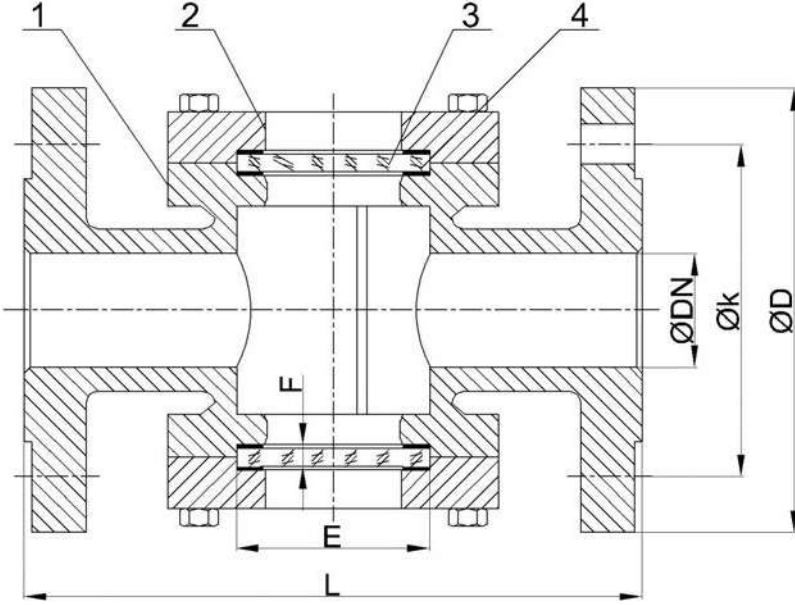
This valve is produced in according to the request of Loyd organization as having wide caliber.

Çalışma Sıcaklığı / Working Temperature:

- 10 / +120 °C

Boyutlar / Dimensions

DN	øD	øD1	L1	L2	Ağırlık Weight (kg)
40	1 1/2"	35	80	175	2,9
50	2"	35	100	175	3
65	2 1/2"	35	100	175	4,2


Parça Listesi / Part List

Poz No	Parça Adı Part Name	Malzeme Material
01	Gövde / Body	Bronz RG10 (G-CuSn10Zn)
02	Kapak / Bonnet	
03	Cam / Glass	Double tempered glass
04	Conta / Gasket	Abestsiz conta Asbestos free

Flanş Ölçüleri / Flange Dimensions:

- DIN EN 1092-2 PN10/16 Type A (Flat face)

Vana Boyu / Face to Face:

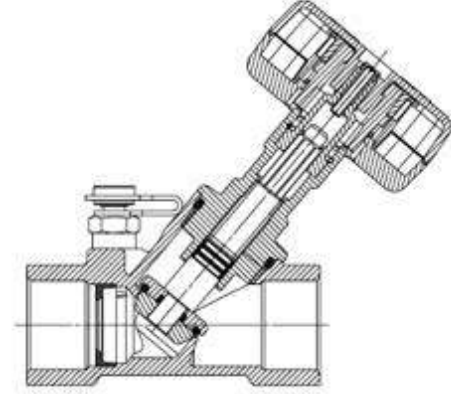
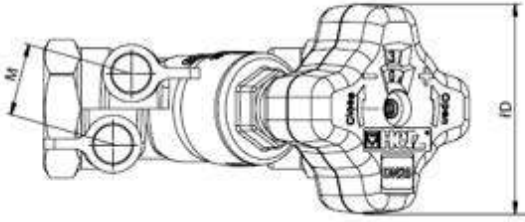
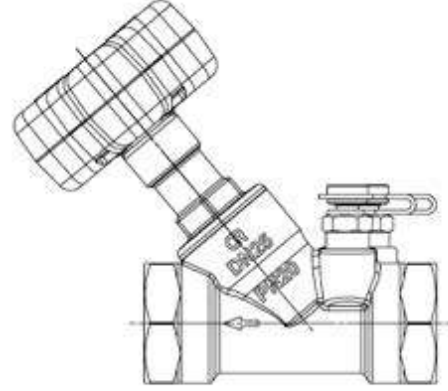
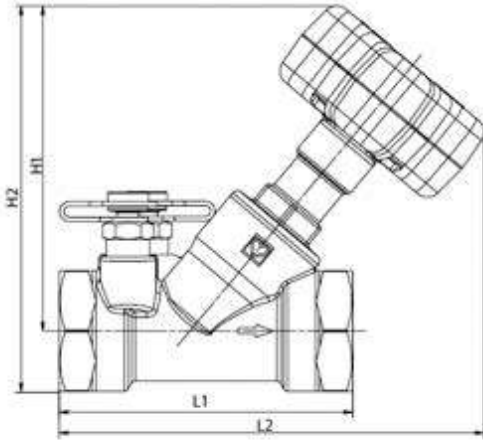
- DIN EN 558

Çalışma Sıcaklığı / Working Temperature:

- -10 / +150 °C


Boyutlar / Dimensions

DN	L	D	E	F	økxnd
15	140	95	45	10	65x4x14
20	140	105	45	10	75x4x14
25	140	115	50	10	85x4x14
32	165	140	80	10	100x4x14
40	175	150	80	10	110x4x18
50	185	165	100	10	125x4x18
65	200	185	100	10	145x4x18
80	240	200	125	15	160x8x18
100	305	220	150	15	180x8x18
125	310	250	175	20	218x8x18
150	410	285	200	20	240x8x18


Çalışma Sıcaklığı / Working Temperature:

- Max.130°'de 10 Bar

Çalışma Basıncı / Working Pressure:

- Max. 20°'de 20 Bar

Boyutlar / Dimensions

DN	L1	L2	H1	H2	M	D	Kvmax	Kvs
15	83	129	96	109	25	70	2,00	1,95
32	122	159	117	142	25	70	13,30	15,75

TNO report

TNO 2018 R11664

Shock testing of a Gedik
1/4" Pressure Relief Valve (PRV)

Leeghwaterstraat 44
2628 CA Delft
P.O. Box 8012
2600 JA Delft
The Netherlands

www.tno.nl

T. +31 88 866 22 00
F. +31 88 866 06 30

Approval

Customers:

Gedik Casting and Valve
Attn: Mr Tuncer Ayna
Ankara Cad. No: 306
Seyhli – Pendik
Istanbul
TURKEY

Project team:

K. Green, PhD
K. Ben Abdellah

Dates in which the work was carried out:

Week 48, 2018.

Author:

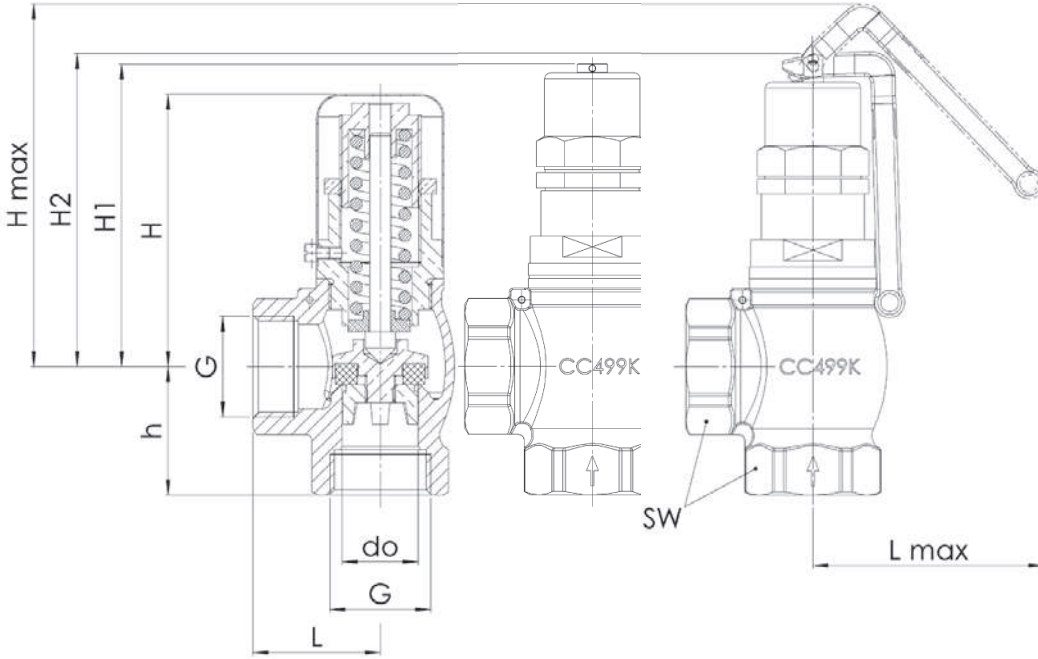


K. Green, PhD
Senior Project Leader

Visa:



G.M.J. Delhaes, MSc
Scientific Researcher


Parça Listesi / Part List

Poz No	Parça Adı Part Name	Malzeme Material
01	Gövde / Body	CC449K Bronz / Brass
02	İç parçalar internal parts	CC449K Bronz / Brass
03	Yay / Spring	Paslanmaz Çelik Stainless steel

Uygulamalar / Applications:

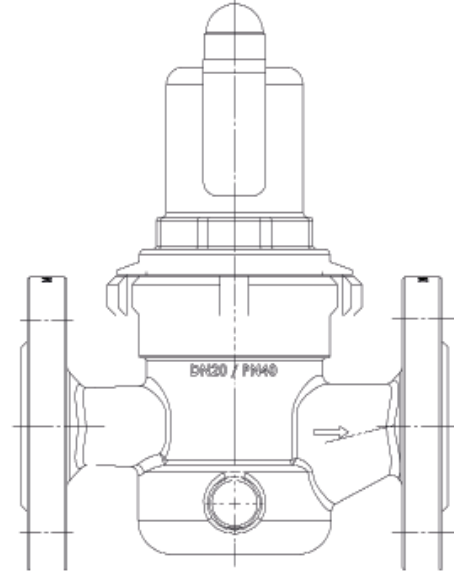
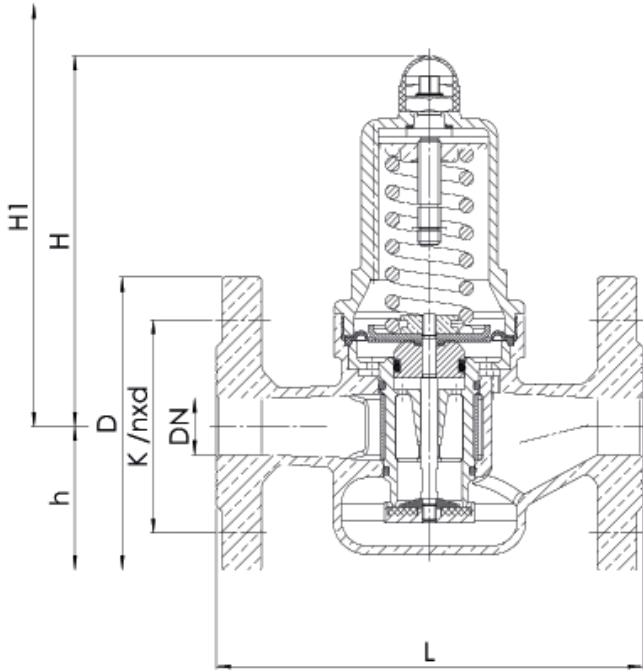
- Buhar, gaz, basınçlı hava, su
Steam, gas, compressed air, water

Çalışma Şartları / Working Conditions:

- -60 /+225 °C
- DN 3/8"-2"
- 0,2-20 bar

Boyutlar / Dimensions

DN	Connection DIN EN ISO 228	Outlet DIN EN ISO 228	Installation dimensions	in mm									Weight	Set pressure	Range of adjustment				
	G	G	L	Lmax	H	H1	H2	Hmax	h	SW	do	kg	bar	bar					
10	3/8"	3/8"	27	84	55	66	73	100	26	24	10	0,3	0,2-20	0,2-0,8	0,5-2,5	2-12	12-20		
15	1/2"	1/2"	30		62	74	82	108	30	28	13	0,4							
20	3/4"	3/4"	33		73	83	89	117	35	34	19	0,6							
25	1"	1"	40		90	100	108	134	41	41	25	1,0							
32	1 1/4"	1 1/4"	45	120	110	117	127	168	45	52	30	1,6	0,2-20	0,2-0,8	0,5-2,5	2-12	12-20		
40	1 1/2"	1 1/2"	50		130	136	149	190	51	58	38	2,3							
50	2"	2"	60		135	146	158	197	60	70	50	3,2							


Parça Listesi / Part List

Poz No	Parça Adı Part Name	Malzeme Material
01	Gövde Body	CC449K Bronz
02	İç parçalar Internal parts	CC449K Bronz
03	Yay Spring	Yay çeliği Spring steel with anti-rust protection
04	Süzgeç Strainer	Paslanmaz Çelik Stainless steel

Uygulamalar / Applications:

- Buhar, gaz, basınçlı hava, su
Steam, gas, compressed air, water

Çalışma Şartları / Working Conditions:

- 10 / +95 °C
- DN 15-DN100
- Giriş basıncı ; 40 bar'a kadar
Inlet pressure ; up to 40 bar
- Çıkış basıncı ; 0,5-15 bar
Outlet pressure ; 0,5-15 bar

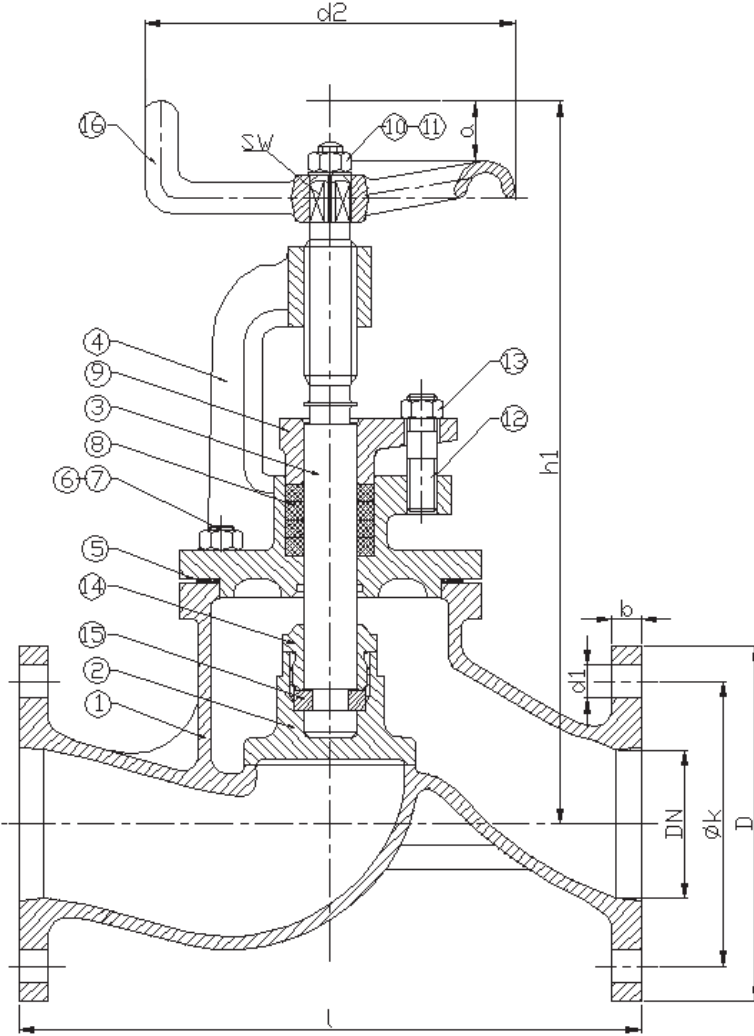
Boyutlar / Dimensions

DN	Outlet Pressure	Inlet Pressure SP	Inlet Pressure LP	Installation D	L	H (H1)	h	K /nxd	H (H1)	Coefficient of flow Kvs2
15	0,5-2 1,-8 5-15	16/40	16/25	95	130	102 (128)	46	65 / 4xM12	102 (128)	3
20				105	150	130 (150)	50	75 / 4xM12	130 (150)	5,8
25				115	160	130 (150)	55	85 / 4xM12	130 (150)	6,7
32				140	180	130 (150)	68	100 / 4xM16	130 (150)	7,6
40				150	200	165 (185)	73	110 / 4xM16	165 (185)	12,5
50				165	230	165 (185)	80	125 / 4xM16	165 (185)	15
65	1-8	16	-	185	290	235	89	145 / 4xM16	235	40
65		40		185	290	235	89	145 / 8xM16	235	40
80		16/40		200	310	235	96	160 / 8xM16	235	50
100		16		220	350	320	112	180 / 8xM16	320	80



VG NORMLU VANALAR VG NORM VALVES

Glob Vana Globe Valve	73
Gönye Tip Glob Vana Angle Type Globe Valve	74
Geri Döndürmez Glob (S.D.N.R.) Non Return Globe Valve	75
Gönye Tip Geri Döndürmez Glob (S.D.N.R.) Angle Type Non Return Globe Valve	76
Tam Geçişli Küresel Vana-Flanşlı Full Bore Ball Valve-Flanged	77
Kelebek Vana LUG Butterfly Valve LUG	78
Kelebek Vana WAFER Butterfly Valve WAFER	79
Lift Tipi Çekvalf Lift Type Check Valve	80
Disko Çekvalf Disc Check Valve	81
Dual Çekvalf Wafer Type Duo Check Valve	82
Wafer Swing Çekvalf Wafer Swing Check Valve	83
Yangın Valfi Düz Tip Fire Valve Straight Type	84
Yangın Valfi Köşe Tip Fire Valve Angle Type	85
Pislik Tutucu Strainer	86
Pislik Tutucu Strainer	87


Parça Listesi / Part List

Poz No	Parça Adı Part Name	Malzeme Material
01	Gövde / Body	VG 85035
02	Klape / Disc	VG85037-B
03	Mil / Spindle	VG85039
04	Kapak / Bonnet	VG 85045
05	Kapak contası / Gasket	VG 85046
06	Somun / Nut	DIN EN ISO 10511
07	Saplama / Stud	DIN 938
08	Ring / Ring	VG85554
09	Baskı / Gland	VG85047
10	Düz pul / Washer	DIN 125
11	Somun / Nut	DIN EN ISO 10511
12	Saplama / Stud	DIN 938
13	Baskı Somunu / Gland nut	DIN EN ISO 10511
14	Klape rekoru / Disc nut	VG 85044
15	Mil burcu / Shaft bushing	VG 85044
16	Kol / Lever	St 44-42

Uygulamalar / Applications:

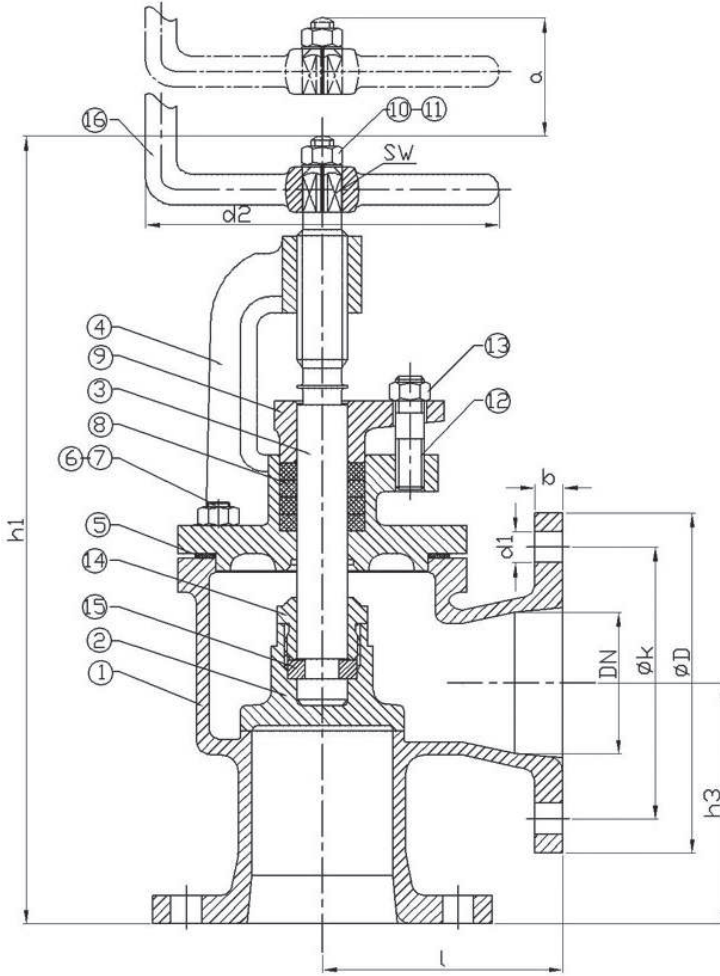
- Buhar / Steam
- Kızgın Su / Hot Water
- Deniz Suyu / Sea Water
- Hava ve diğer Nötr Akışkanlar
Air and other Neutral Fluids

Bağlantılar / Ends:

- VG 85011-3


Boyutlar / Dimensions

DN/ Size	PN	Stroke			Flanş Ölçüleri / Flange Dimensions						SW	HANDWHEEL d2	AĞIRLIK Weight kg	
		l	Tol.	h1	a	D	b	k	Adet	d1				a
20	10	120	±1	185	10	86	10	62	4	11	M10	9	100	2,1
25		130		219	13	92		68						2,34
32		140		231	12	108		76						3,1
40		180	246	16	120	84	6	5,25						
50		210	260	±1,3	318	25	140	116	8				7,02	
70		280	±1,4	330	28	150	12	126	8				12,4	
80		330	±1,7	365	35	172	148	10	14,62					
100		390	±2	418	44	200	176	10	16,9					
125		450	±2,3	448	53	226	202	12	23,5					
150		530	±2,7	516	64	264	240	14	30,1					
175	6	580	±2,9	546	73	288	14	264	16	43,1				
200		700	±3,5	633	91	340	316	20	50					
250		830	±4,2	743	108	392	16	368	24	81,2				
300											123			


Parça Listesi / Part List

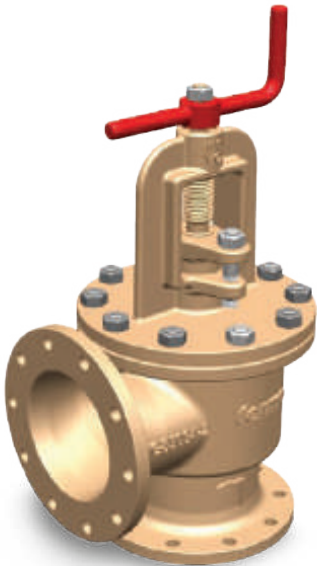
Poz No	Parça Adı Part Name	Malzeme Material
01	Gövde / Body	VG 85036
02	Klape / Disc	VG 85037-B
03	Mil / Spindle	VG 85039
04	Kapak / Bonnet	VG85045
05	Kapak contası / Gasket	VG85046
06	Somun / Nut	DIN EN ISO 10511
07	Saplama / Stud	DIN 938
08	Ring / Ring	VG85554
09	Baskı / Gland	VG85047
10	Düz pul / Washer	DIN EN ISO 7089
11	Somun / Nut	DIN EN ISO 10511
12	Saplama / Stud	DIN 938
13	Baskı somunu / Gland nut	DIN EN ISO 10511
14	Klape rekoru / Disc nut	VG 85044
15	Mil yüzüğü / Spindel ring	VG 85044
16	Kol / Lever	St 37

Uygulamalar / Applications:

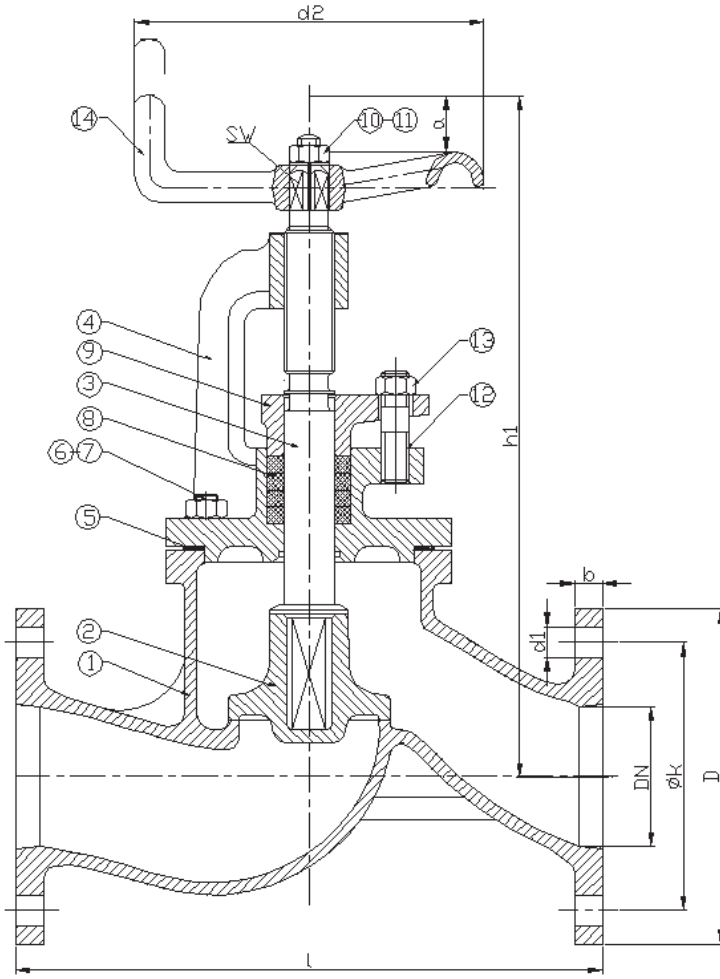
- Buhar / Steam
- Kızgın Su / Hot Water
- Deniz Suyu / Sea Water
- Hava ve diğer Nötr Akışkanlar
Air and other Neutral Fluids

Bağlantılar / Ends:

- VG 85011-3


Boyutlar / Dimensions

DN/ Size	PN	Stroke				Flanş Ölçüleri / Flange Dimensions						SW	HANDWHEEL	AĞIRLIK Weight	
		l	Tol.	h1 ≈	h3 ±1	a	D	b	k	Adet	d1				a
20	10	65	±1	211	65	10	86	10	62	4	11	M10	9	100	2,1
25		70		214	70	92	68								
32		75		240	75	13	100		76						
40		80		279	80	12	108		84						
50		85		294	85	16	120	96	6	11			125		5,6
70		110		360	95	25	140	116							
80		115		372	100	28	150	126	8	14			175		10,7
100		130		413	115	35	172	148							
125		145		470	130	44	200	176	10	17			200		23,5
150		160		503	140	53	226	202							
175	180	578	160	64	264	240	14	22	250	31,7					
200	200	615	175	73	288	264									
250	240	±1,2	716	200	91	340	16	24	300	60					
300	280	±1,4	824	225	108	392					316	20	425	83	


Parça Listesi / Part List

Poz No	Parça Adı Part Name	Malzeme Material
01	Gövde / Body	VG 85035
02	Klape / Disc	VG85037-D
03	Mil / Spindle	VG85040
04	Kapak / Bonnet	VG 85045
05	Kapak contası / Gasket	VG 85046
06	Somun / Nut	DIN EN ISO 10511
07	Saplama / Stud	DIN 938-M12x28 A4-70
08	Ring / Ring	VG85554
09	Baskı / Gland	VG85047
10	Düz pul / Washer	DIN EN ISO 7089
11	Somun / Nut	DIN EN ISO 10511
12	Saplama / Stud	DIN 938
13	Baskı Somunu / Gland nut	DIN EN ISO 10511
14	Kol / Lever	St 37

Uygulamalar / Applications:

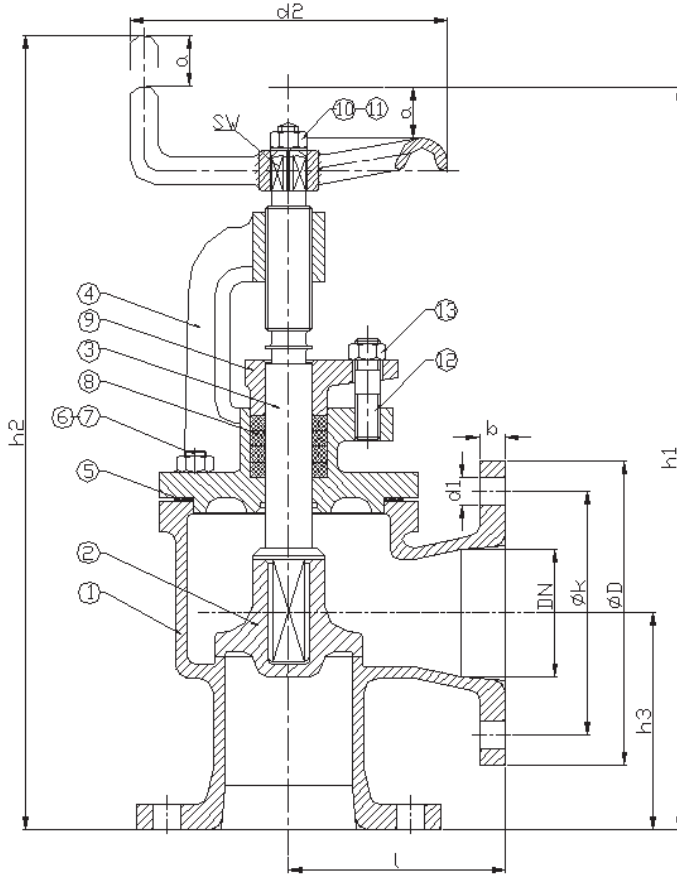
- Buhar / Steam
- Kızgın Su / Hot Water
- Deniz Suyu / Sea Water
- Hava ve diğer Nötr Akışkanlar
Air and other Neutral Fluids

Bağlantılar / Ends:

- VG 85011-3


Boyutlar / Dimensions

DN/ Size	PN	Stroke			Flanş Ölçüleri / Flange Dimensions						SW	HANDWHEEL d2	AĞIRLIK Weight kg	
		l	Tol.	h1	a	D	b	k	Adet	d1				a
20	10	120	±1	185	10	86	10	62	4	11	M10	9	100	2,1
25		130			92	68		2,34						
32		140			100	76		3,1						
40		180	231	12	108	84	6	125	5,25					
50		210	246	16	120	96			7,02					
70		260	±1,3	318	25	140	116	8	175				12,4	
80		280	±1,4	330	28	150	126						14,62	
100		330	±1,7	365	35	172	148	10	200				16,9	
125		390	±2	418	44	200	176						23,5	
150		450	±2,3	448	53	226	202	12	200				30,1	
175	6	530	±2,7	516	64	264	14	240	14	17	24	250	43,1	
200		580	±2,9	546	73	288		264					16	50
250		700	±3,5	633	91	340	316	20	81,2					
300		830	±4,2	743	108	392	368	24	81,2					
									123					


Parça Listesi / Part List

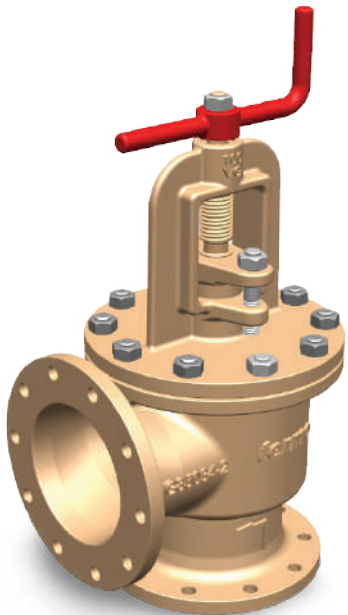
Poz No	Parça Adı Part Name	Malzeme Material
01	Gövde / Body	VG 85036
02	Klape / Disc	VG 85037D
03	Mil / Spindle	VG 85040
04	Kapak / Bonnet	VG85045
05	Kapak contası / Gasket	VG85046
06	Somun / Nut	DIN EN ISO 10511
07	Saplama / Stud	DIN 938
08	Ring / Ring	VG85554
09	Baskı / Gland	VG85047
10	Düz pul / Washer	DIN EN ISO 7089
11	Somun / Nut	DIN EN ISO 10511
12	Saplama / Stud	DIN 938
13	Baskı somunu / Gland nut	DIN EN ISO 10511

Uygulamalar / Applications:

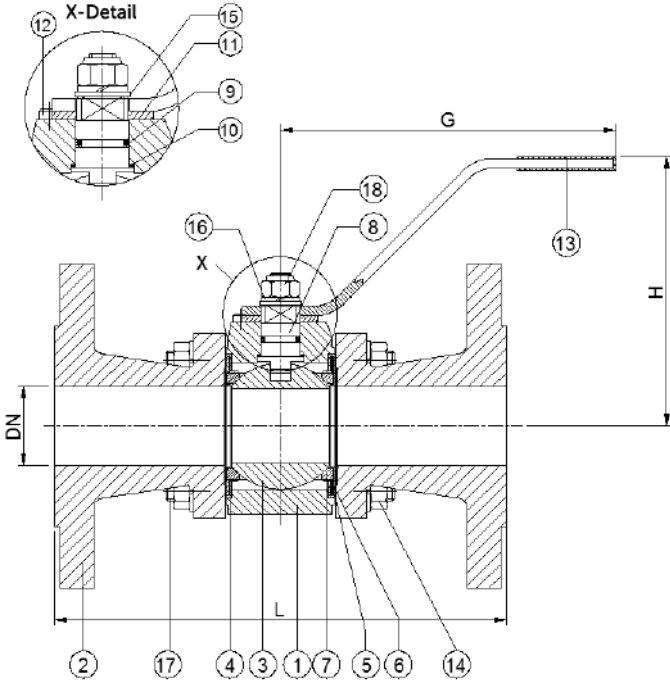
- Buhar / Steam
- Kızgın Su / Hot Water
- Deniz Suyu / Sea Water
- Hava ve diğer Nötr Akışkanlar
Air and other Neutral Fluids

Bağlantılar / Ends:

- VG 85011-3


Boyutlar / Dimensions

DN/ Size	PN			Stroke			Flanş Ölçüleri / Flange Dimensions					SW	HANDWHEEL d2	AĞIRLIK Weight kg									
		l	Tol.	h1 ≈	h3 ±1	a ≈	D	b	k	Adet	d1				a								
20	10	65	±1	211	65	10	86	10	62	4	11	M10	9	100	2,1								
25		70		214	70		92		68														
32		75		240	75	13	100		76														
40		80		279	80	12	108		84														
50		85		294	85	16	120	96															
70		110		360	95	25	140	116															
80		115		372	100	28	150	126															
100		130		413	115	35	172	148															
125		145		470	130	44	200	176															
150		160		503	140	53	226	202															
175	6	180	±1,2	578	160	91	264	14	240	14	11	M10	22	250	31,7								
200		200		615	175		73		288							264	16						
250		240		716	200		91		340				316		20								
300		280		824	225		108		392				368		24								



Parça Listesi / Part List

Poz No	Parça Adı Part Name	Malzeme Material
01	Gövde / Body	CuSn10/AISI316
02	Flanş / Flange	
03	Küre / Ball	CuSn10
04	Flanş contası / Flange seal	Teflon
05	İç Tabak Yayı / Disk Spring (Two Pis.)	Paslanmaz / Stainless
06	Dış Tabak Yayı / Disk Spring (Two Pis.)	Paslanmaz / Stainless
07	Küre Contası / Ball Seal	Teflon
08	Küre Mili / Ball Spindle	Paslanmaz / Stainless
09	O-ring	EPDM
10	Mil Contası / Spindle Seal	Teflon
11	Kilit Sacı / Locking Plate	CuSn10
12	Tahdit Pimi / Limiting Pin	ST 40
13	Kol / Lever	AISI 304
14	Somun / Nut	Paslanmaz / Stainless
15	Düz Pul / Washer	Çelik / Steel
16	Yaylı Rondela / Spring Washer	DIN 127
17	Saplama / Stud	CK 35
18	Emniyetli Somun / Secure Nut	DIN 985

Uygulamalar / Applications:

- Buhar / Steam
- Kızgın Su / Hot Water
- Deniz Suyu / Sea Water
- Hava ve diğer Nötr Akışkanlar
Air and other Neutral Fluids

Çalışma Şartları / Working Conditions:

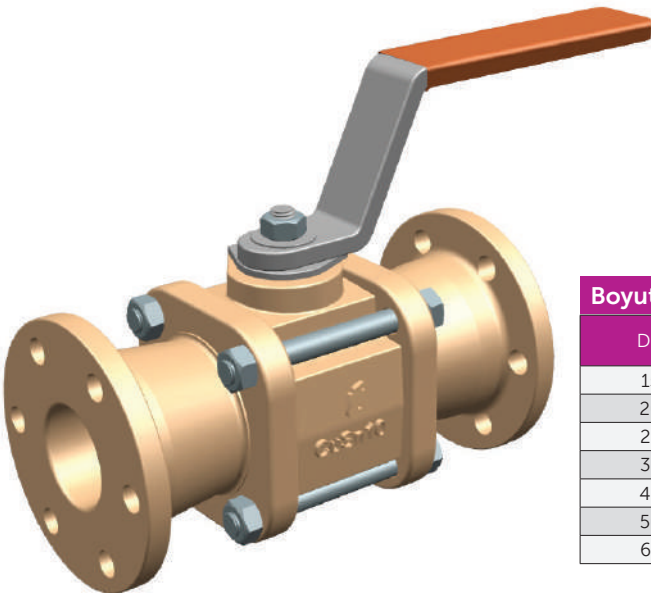
- DIN 2401'e göre / As per DIN 2401

Bağlantılar / Ends:

- VG 85011-3' e göre flanşlı
Flanged as per VG 85011-3

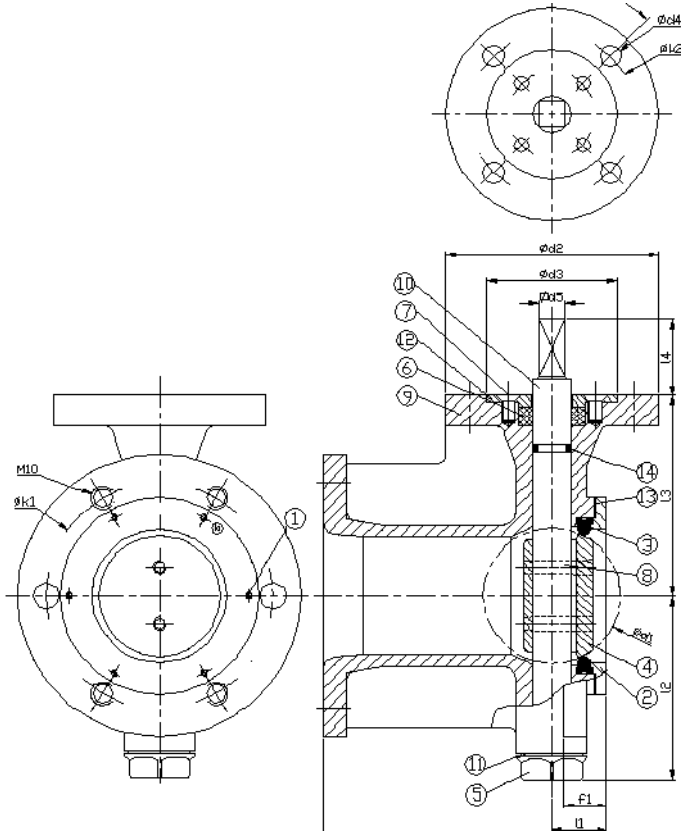
Vana Boyu / Face to face:

- DIN 3202-F1



Boyutlar / Dimensions

DN	Size	L	H	G	AĞIRLIK Weight
15	1/2"	130	91	143	2,2
20	3/4"	150	115		3,7
25	1"	160	118	172	4,8
32	1 1/4"	180	135		4,9
40	1 1/2"	200	141	220	6,2
50	2"	230			9,4
65	2 1/2"	290	153	280	15,7


Parça Listesi / Part List

Poz No	Parça Adı Part Name	Malzeme Material
01	Vida / Screw	A4-70
02	Kapak / Bonnet	2.1052.03 (GZ-CuSn12) DIN 1705'e göre; 2.1050.01 (G-CuSn10)
03	Sızdırmazlık Contası Cover Gasket	VG 85055 HNBR
04	Klape / Disc	DIN 1714 'e göre 2.0975.01 (G-CuAl10Ni)
05	Kör Tapa Blunt Stopper	DIN 17664'e göre 2.0872 (CuNi10Fe1Mn) DIN 17662'e göre 2.1030 (CuSn8)
06	Ring / Screw	NBR
07	Baskı Cıvatası	A4-70
08	Klape Setuskur Disc Screw	1.4021
09	Gövde / Body	DIN 1705'e göre 2.1050.01 (G-CuSn10)
10	Mil / Spindel	DIN 17672'e göre 2.0966.98 (CuAl10Ni5Fe4)
11	Rondela / Washer	CuSn10
12	Baskı / Pinch	DIN 17660'a göre 2.0380 (CuZn39Pb2)
13	Kapak Contası Bonnet Gasket	Asbestsiz Conta Asbestos Free Gasket
14	O-Ring	EPDM


Uygulamalar / Applications:

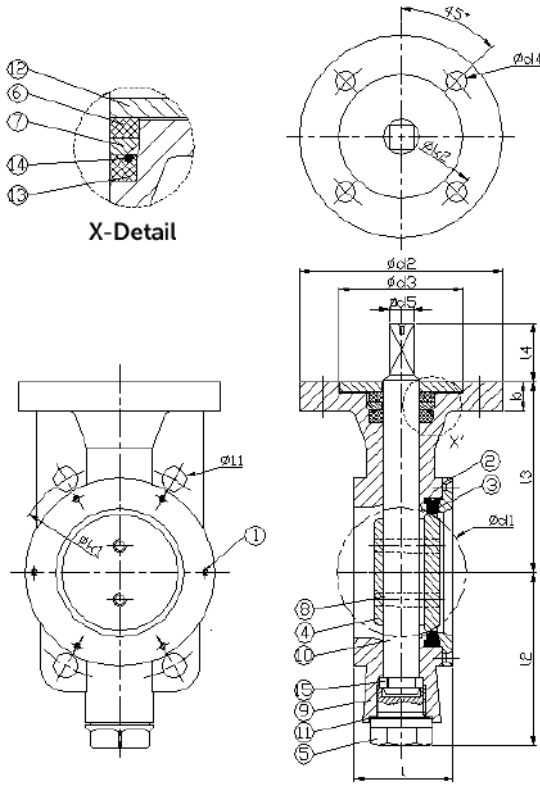
- Su / Water
- Deniz Suyu / Sea Water
- Atık Su / Waste Water
- Hava vb. / Air etc.

Bağlantılar / Ends:

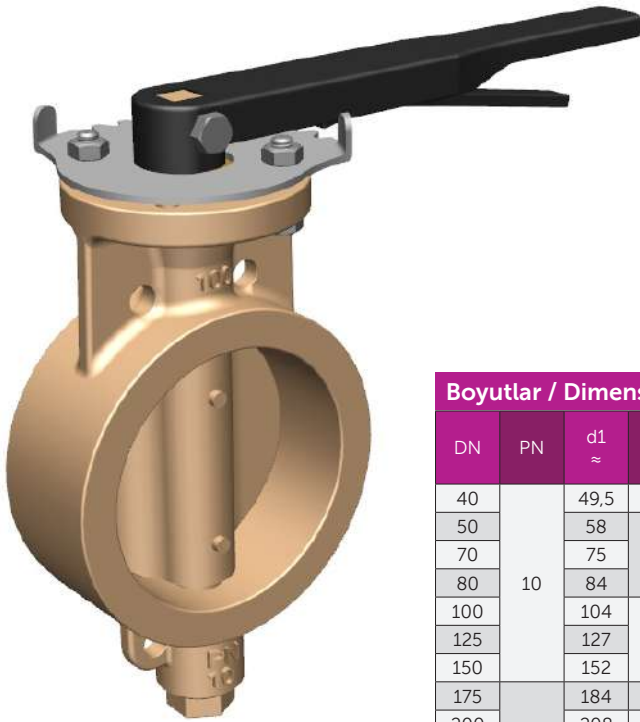
- Form A VG 85011-3
- Form B VG 85011-6

Boyutlar / Dimensions

DN	PN	b	d1 ≈	d2	d3 +0,1 0	d4	d5 f7	f ≈	k1	k2	l0	l1 ±	l2 ≈	l3	l4 max	AĞIRLIK Weight kg ≈
50	10	13	58	90	55	9	16	17,5	96	70	120	23	75	85	35	4,8
70			116					84	96		5,7					
80			126					90	100		6,5					
100			20					148	180		26	107	112	9,8		
125			23					176	190		28	120	125	12,9		
150			202					200	135		142	14,8				
175			21,5					240	200		149	162	20,0			
200	6	16	208	125	70	11	22	22	264	102	210	30	167	176	45	22,9
250			28				22,5	316	220		34	200	202	33,3		
300			30				26,6	368	230		39	235	230	45,0		


Parça Listesi / Part List

Poz No	Parça Adı Part Name	Malzeme Material
01	Vida / Screw	A4-70
02	Kapak / Bonnet	2.1052.03 (GZ-CuSn12) DIN 1705'e göre; 2.1050.01 (G-CuSn10)
03	Sızdırmazlık Contası Cover Gasket	VG 85055 HNBR
04	Klape / Disc	DIN 1714 'e göre 2.0975.01 (G-CuAl10Ni)
05	Kör Tapa Blunt Stopper	DIN 17664'e göre 2.0872 (CuNi10Fe1Mn) DIN 17662'e göre 2.1030 (CuSn8)
06	Ring	Saf Grafit / Pure Graphit
07	Konik Pül Conical Flake	CuSn10
08	Konik Pim / Conical Pim	2.0975.01 (G-CuAl10Ni)
09	Gövde / Body	DIN 1705'e göre 2.1050.01 (G-CuSn10)
10	Mil / Spindel	DIN 17672'e göre 2.0966.98 (CuAl10Ni5Fe4)
11	Bakır Conta Copper Gasket	Cu
12	Baskı Pulu / Washer	CuSn10
13	Keçe / Felt	NBR
14	Keçe / Felt O-Ring	EPDM
15	Ay Pulu / Two Part Ring	CuSn10


Uygulamalar / Applications:

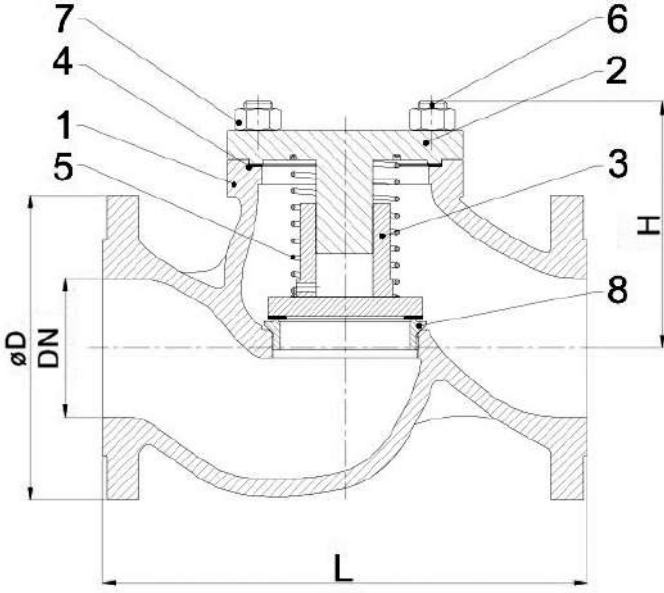
- Su / Water
- Deniz Suyu / Sea Water
- Atık Su / Waste Water
- Hava vb. / Air etc.

Bağlantılar / Ends:

- VG 85011-3

Boyutlar / Dimensions

DN	PN	d1 ≈	d5 f7	k1	l1 ±	l2 ≈	l3	l4 max	b	d2	d3 +0,1 0	d4	k2	AĞIRLIK Weight kg ≈
40	10	49,5	-	84	43	58	77	25	13	90	55	9	70	-
50		58	96	75		85	3,0							
70		75	16	116	84	96	3,8							
80		84	126	46	90	100	4,3							
100	6	104	20	148	52	107	112	30	16	125	70	11	102	5,5
125		127		176	56	120	125							6,9
150		152	202	135	142	8,7								
175		184	20	240	56	149	162							11,8
200		208	22	264	60	167	176							15,4
250		254	28	316	68	200	202							23,3
300	308	30	368	78	235	230	35,0							


Parça Listesi / Part List

Poz No	Parça Adı Part Name	Malzeme Material
01	Gövde / Body	CuSn10
02	Kapak / Bonnet	
03	Klape / Disc	Paslanmaz Çelik / Stainless Steel DN 15-50 1.4021 DN 65-300 ST37+1.4057
04	Kapak Contası / Gasket	Astbestsiz Conta / Asbestos Free
05	Yay / Spring	Yay Çeliği / Spring Steel
06	Saplama / Stud	CK 35
07	Somun / Nut	TS 1026/2
08	Sit / Seat	Paslanmaz Çelik / Stainless Steel 1.4021-1.4057

Uygulamalar / Applications:

- Buhar / Steam
- Kızgın Su / Hot Water
- Hava ve diğer Nötr Akışkanlar
Air and other Neutral Fluids

Çalışma Şartları / Working Conditions:

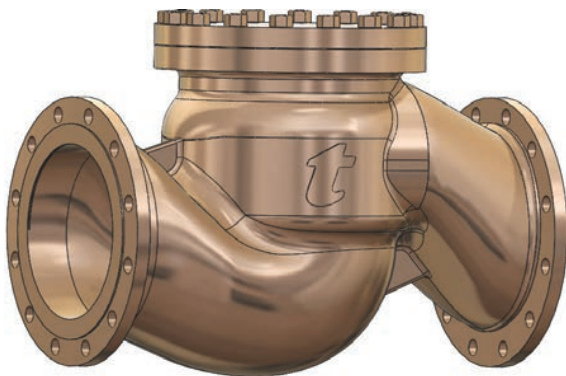
- DIN 2401'e göre / As per DIN 2401

Bağlantılar / Ends:

- VG 85011-3' e göre flanşlı
Flanged as per VG 85011-3

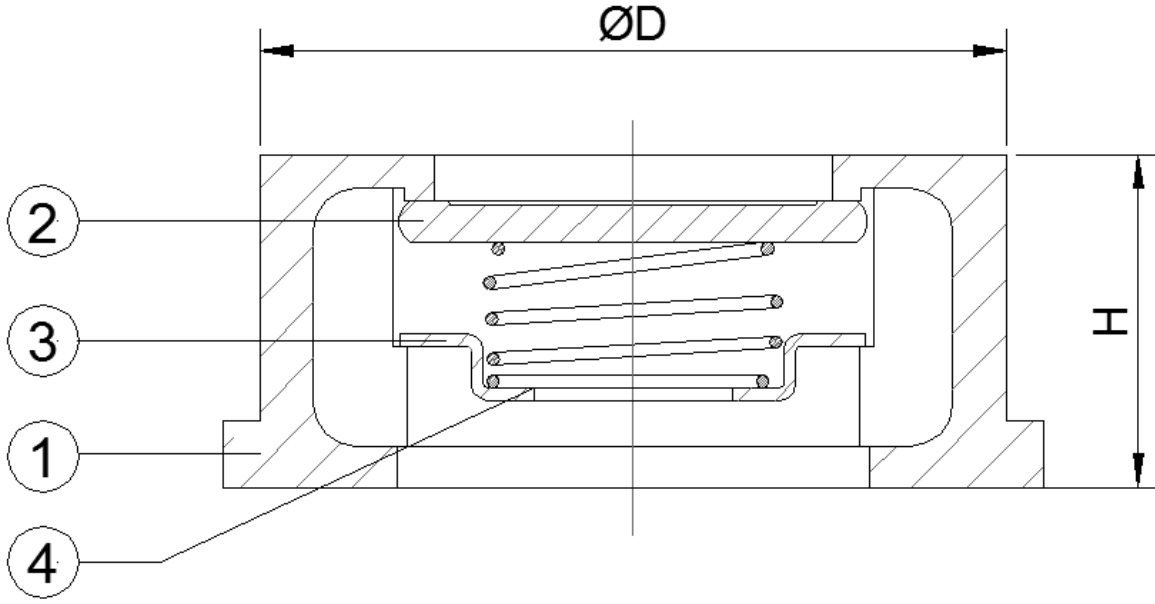
Vana Boyu / Face to face:

- DIN 3202-F1 (DIN EN 558-1)


Boyutlar / Dimensions

DN	Size	L	H	D	AĞIRLIK Weight
20	3/4"	150	67	86	4,2
25	1"	160	78	92	5,6
32	1 1/4"	180	80	100	7,3
40	1 1/2"	200	89	108	9,8
50	2"	230	105	120	13,2
65	2 1/2"	290	120	140	19,6
80	3"	310	154	150	28,8
100	4"	350	183	172	43,6
125	5"	400	203	200	65
150	6"	480	227	226	81
200	8"	600	250	264	149,5
250	10"	730	350	288	277,5
300	12"	850	370	340	382

NOT : Dikey konumda mutlaka yaylı tip kullanın.
 NOTE : In vertical position, spring type should be used.


Parça Listesi / Part List

Poz No	Parça Adı Part Name	Malzeme Material
01	Gövde / Body	Bronz CuSn10
02	Klape / Disc	Paslanmaz Çelik / Stainless Steel 1.4301 1.4401
03	Yay Tablası/ Spring Plate	Paslanmaz Çelik / Stainless Steel 1.4301 1.4401
04	Yay / Spring	Paslanmaz Yay Çeliği Stainless Spring Steel

Uygulamalar / Applications:

- Su / Water
- Buhar / Steam
- Sıcak Su / Hot Water
- Buhar ve diğer Nötr Akışkanlar
Steam and other Neutral Fluids

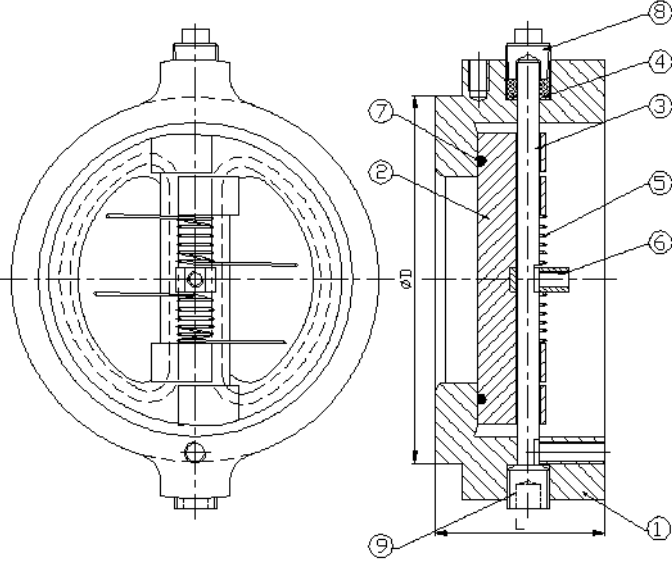
Bağlantılar / Ends:

- Wafer tip VG 85011-3'e uygun iki flanş arasında
Wafer type, between two flanges acc. to
VG 85011-3

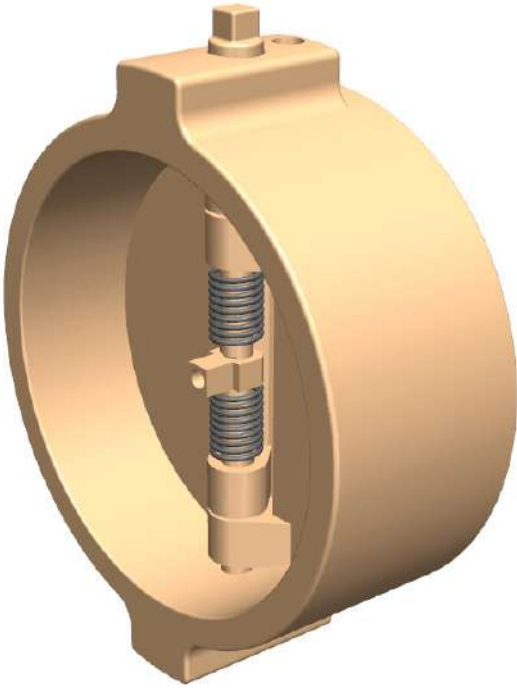

Boyutlar / Dimensions

DN	Size	H	D	AĞIRLIK Weight
20	3/4"	19	47	0,14
25	1"	22	56	0,21
32	1 1/4"	28	65	0,55
40	1 1/2"	32	72	0,6
50	2"	40	83	0,85
65	2 1/2"	46	103	1,65
80	3"	50	113	1,9
100	4"	60	135	3,15
125	5"	90	163	5,1

Basınç Kademesi Pressure Rating	Basınç Pressure in (Bar)	Max. Sıcaklık Max. Temp. in (°C)	Min. Sıcaklık Min. Temp. in (°C)
PN 16	16	120	-40
	15	180	
	14	200	
	13	250	


Parça Listesi / Part List

Poz No	Parça Adı Part Name	Malzeme Material
01	Gövde / Body	CuSn10
02	Klape / Disc	CuSn10
03	Mil / Spindle	AISI 316
04	Teflon	PTFE
05	Yay / Spring	Yay Çeliği / Spring Steel
06	Ara Parça Steam Holder	CuSn10
07	O-Ring	NBR
08	Kör tapa / Blunt Stopper	CuSn10
09	Setuskur / Screw	Paslanmaz Çelik / Stainless Steel


Uygulamalar / Applications:

- Deniz suyu / Sea Water

Bağlantılar / Ends:

- VG 85011-3

Vana Boyu / Face to Face:

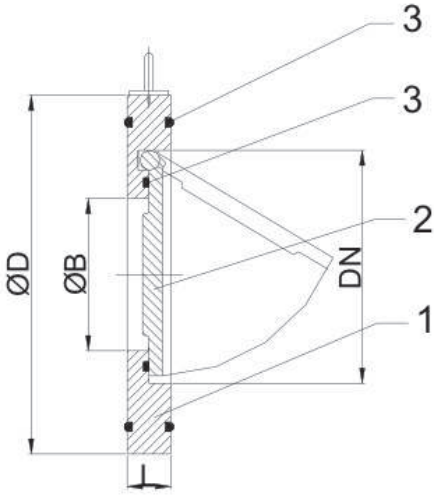
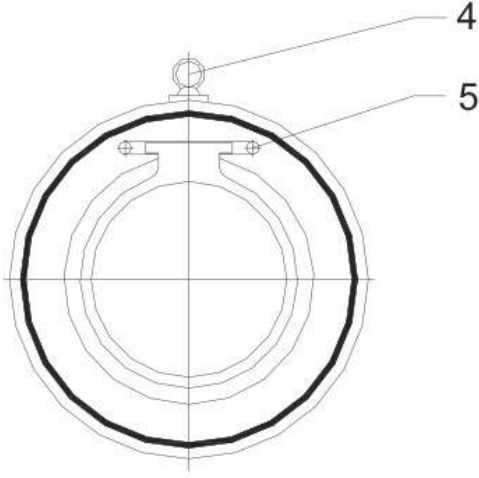
- DIN 3202-K1

Boyutlar / Dimensions

DN	Size	L	D	AĞIRLIK Weight
50	2"	43	83	4,0
65	2 1/2"	46	103	2,3
80	3"	64	113	3,3
100	4"	64	135	4,3
125	5"	70	163	7,3
150	6"	76	189	10,4
200	8"	89	251	22,0
250	10"	114	303	38,0
300	12"	114	355	52,0

Açılış Basınçları / Opening Pressures

DN	Pö (mbar)		Yaysız ↑
	↔	↑	
50	15	25	10
65	15	25	10
80	15	30	15
100	15	30	15
125	15	35	20
150	15	35	20
200	15	35	20
250	15	35	20
300	15	45	30


Parça Listesi / Part List

Poz No	Parça Adı Part Name	Malzeme Material
01	Gövde / Body	CuSn10
02	Klape / Disc	CuSn10
03	O-Ring	NBR
04	Eye Bolt	Paslanmaz Çelik / Stainless Steel
05	Cıvata / Bolt	MS 58

Çalışma sıcaklığı / Working temperature:

- Max. 80° C

Nominal basıncı / Nominal pressure:

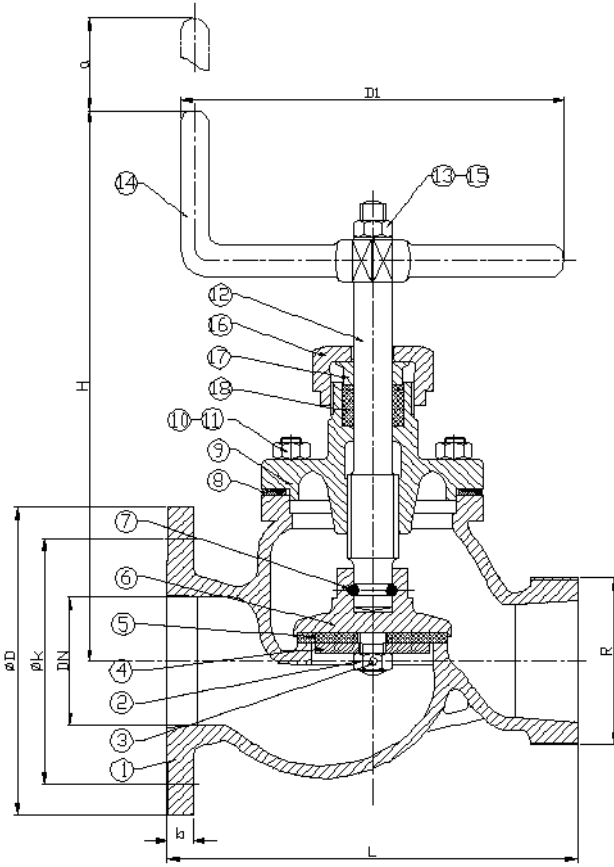
- DN 50- DN 150 = 16 bar
- DN 200- DN 300 = 10 bar

Bağlantılar / Ends:

- Flanş bağlantısı VG 85011-3
Flanged ends acc. to VG 85011-3


Boyutlar / Dimensions

DN	PN	Size	D	B	L
40	16	1 1/2"	72	22	16
50		2"	83	30	
65		2 1/2"	103	37	
80		3"	113	48	
100		4"	136	70	
125		5"	163	92	
150	10	6"	189	114	28
200		8"	250	143	
250		10"	302	190	
300		12"	355	214	


Parça Listesi / Part List

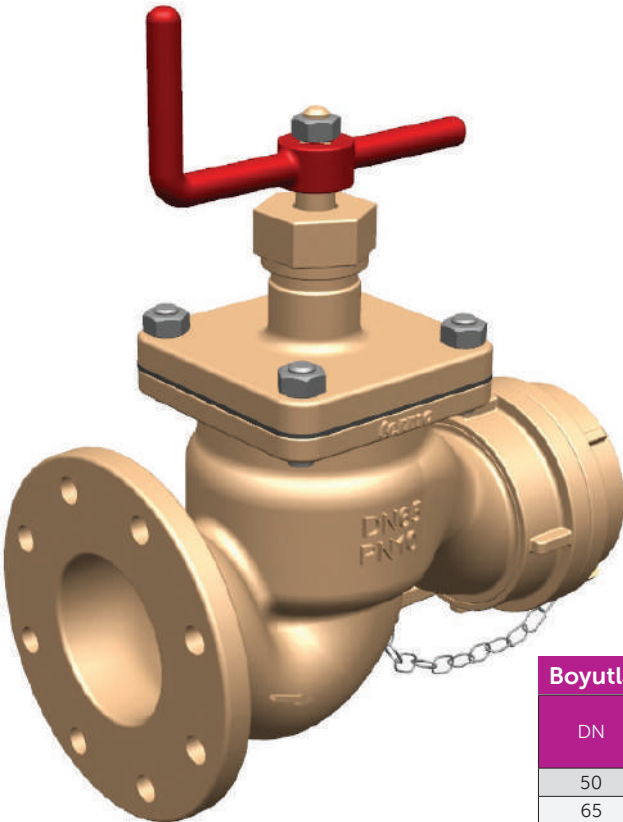
Poz No	Parça Adı Part Name	Malzeme Material
01	Gövde / Body	VG85056-1
02	Somun / Nut	M10 DIN 934- CuSn8
03	Kamalı Pim	3x25 DIN 94- Cu
04	Pul / Washer	VG85056-1
05	Lastik / Rubber	VG85056-1
06	Klape/ Disc	VG85056-1
07	Pim / Pin	VG85056-1
08	Kapak Contası Bonnet Gasket	86x86x2 DIN 3754 lt300
09	Kapak / Bonnet	A10 VG85056-1
10	Somun / Nut	M10 DIN 934- CuSn8
11	Saplama / Stud	M10x25 DIN 938- CuMn14
12	Mil / Spindle	VG85056-1
13	Somun / Nut	M10 DIN 934- CuSn8
14	Kol / lever	A 150x12 VG85086
15	Düz pul / Washer	A 10,5 DIN 125- Ms
16	Salmastra Somunu / Packing Nut	M33x2 VG85058
17	Baskı / Gland	15 VG85057
18	Ring	Saf Grafit Pure Graphite

Uygulamalar / Applications:

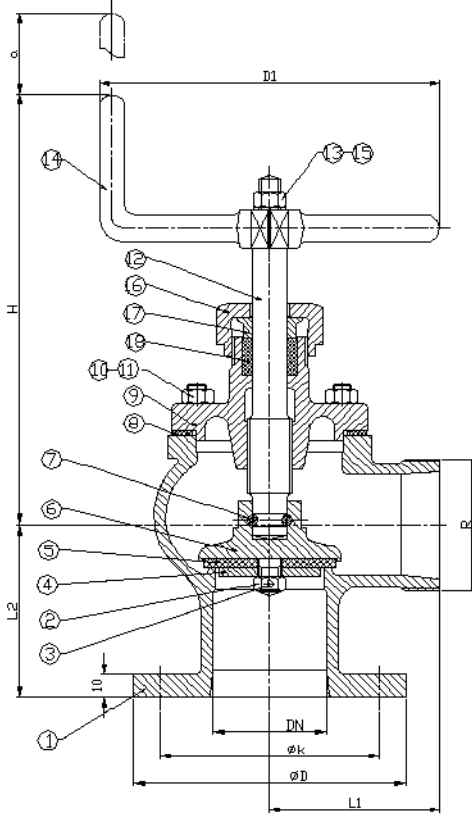
- Su / Water
- Deniz Suyu / Sea Water

Bağlantılar / Ends:

- VG 85011-3


Boyutlar / Dimensions

DN	R	D	k	L	H	D1	Ağırlık Weight (kg)
50	2"	120	96	160	220	150	6,4
65	2 "	140	116	200	235	160	9,5


Parça Listesi / Part List

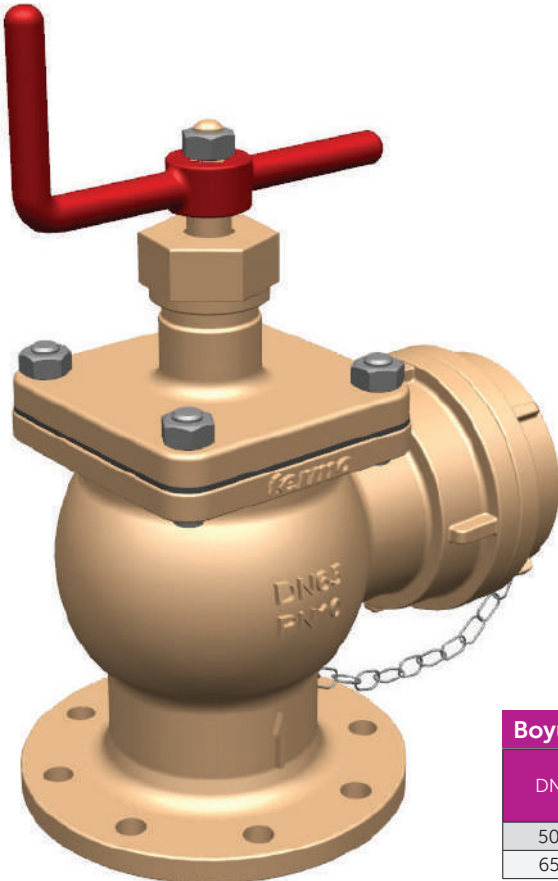
Poz No	Parça Adı Part Name	Malzeme Material
01	Gövde / Body	VG85056-1
02	Somun / Nut	M10 DIN 934- CuSn8
03	Kamalı Pim	3x25 DIN 94- Cu
04	Pul / Washer	VG85056-1
05	Lastik / Rubber	VG85056-1
06	Klape/ Disc	VG85056-1
07	Pim / Pin	VG85056-1
08	Kapak Contası Bonnet Gasket	86x86x2 DIN 3754 lt300
09	Kapak / Bonnet	A10 VG85056-1
10	Somun / Nut	M10 DIN 934- CuSn8
11	Saplama / Stud	M10x25 DIN 938- CuMn14
12	Mil / Spindle	VG85056-1
13	Somun / Nut	M10 DIN 934- CuSn8
14	Kol / lever	A 150x12 VG85086
15	Düz pul / Washer	A 10,5 DIN 125- Ms
16	Salmastra Somunu / Packing Nut	M33x2 VG85058
17	Baskı / Gland	15 VG85057
18	Ring	Saf Grafit Pure Graphite

Uygulamalar / Applications:

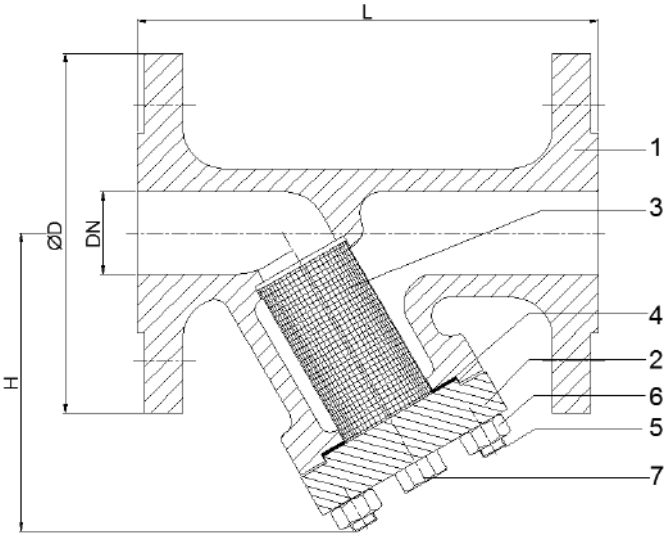
- Su / Water
- Deniz Suyu / Sea Water

Bağlantılar / Ends:

- VG 85011-3


Boyutlar / Dimensions

DN	R	D	k	L1	L2	H	D1	Ağırlık Weight (kg)
50	2"	120	96	75	75	195	150	6
65	2"	140	116	95	90	200		9


Parça Listesi / Part List

Poz No	Parça Adı Part Name	Malzeme Material
01	Gövde / Body	CuSn10 / GGG40.3
02	Kapak / Bonnet	
03	Filtre / Screen	Paslanmaz Çelik/Stainless Steel 1.4301 / 1.4401
04	Kapak Contası / Gasket	Asbestsiz Conta / Asbestos Free
05	Saplama / Stud	CK 35
06	Somun / Nut	Çelik / Steel
07	Körtapa/ Plug	Çelik / Steel

Uygulamalar / Applications:

- Buhar / Steam
- Kızgın Su / Hot Water
- Hava ve diğer Nötr Akışkanlar
Air and other Neutral Fluids

Çalışma Şartları / Working Conditions:

- DIN 2401'e göre / As per DIN 2401

Bağlantılar / Ends:

- VG 85011-3' e göre flanşlı
Flanged as per VG 85011-3

Vana Boyu / Face to Face:

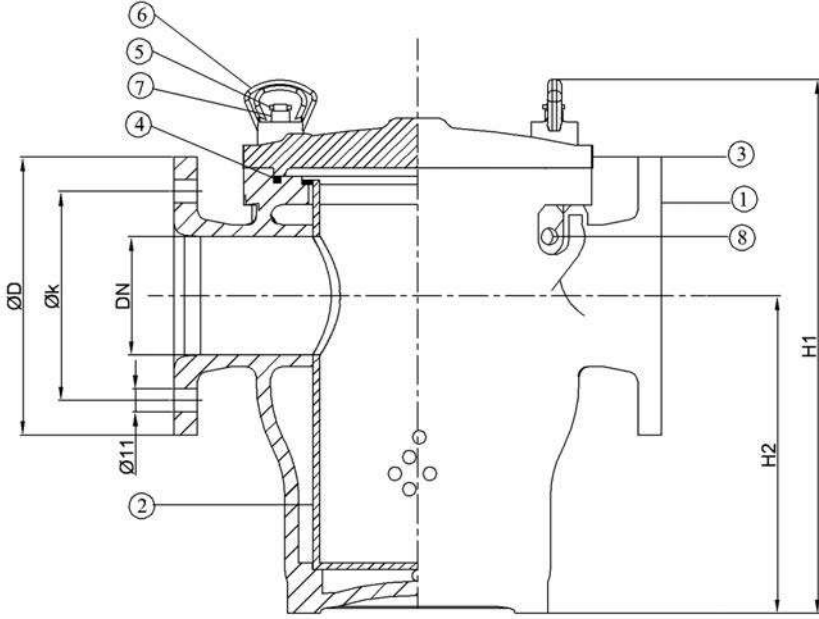
- DIN 3202-F1 (DIN EN 558-1)


Boyutlar / Dimensions

DN	Size	L	H	D	AĞIRLIK Weight
20	3/4"	150	100	86	3
25	1"	160	107	92	3,5
32	1 1/4"	180	114	100	5,5
40	1 1/2"	200	124	108	6,5
50	2"	230	141	120	9,5
65	2 1/2"	290	201	140	15
80	3"	310	232	150	22
100	4"	350	248	172	25
125	5"	400	295	200	44
150	6"	480	355	226	63
200	8"	600	425	288	121
250	10"	730	535	340	174
300	12"	850	615	392	264

Standart Filtre Ölçüleri / Standart Screen Sizes

DN / Size	MESH (ASTM)	Delik Sayısı/cm Hole Number/cm	s (mm) Delik Aralığı Hole Size	d (mm) Tel Çapı Wire Diameter	w Micron
15 - 50	25	100	0,60	0,40	600
65 - 150	12	25	1,20	0,80	1200
200 - 350	10	16	1,50	1,00	1500


Parça Listesi / Part List

Poz No	Parça Adı Part Name	Malzeme Material
01	Gövde / Body	CuSn10-C-GS
02	Süzgeç / Filter	CuNi10
03	Kapak / Cover	CuSn10-C-GS
04	Conta/ Gasket	NBR
05	Vida/Screw	CuZn39Pb2
06	Yay Somunu/Bow Nut	CuZn40Pb2
07	Clevis Vidası Clevis Screw	CuZn39Pb2
08	Pim/ Pin	CuZn40Pb2

Uygulamalar / Applications:

- Deniz Suyu / Sea Water

Bağlantılar / Ends:

- VG 85011-3' e göre flanşlı
Flanged as per VG 85011-3

Vana Boyu / Face to Face:

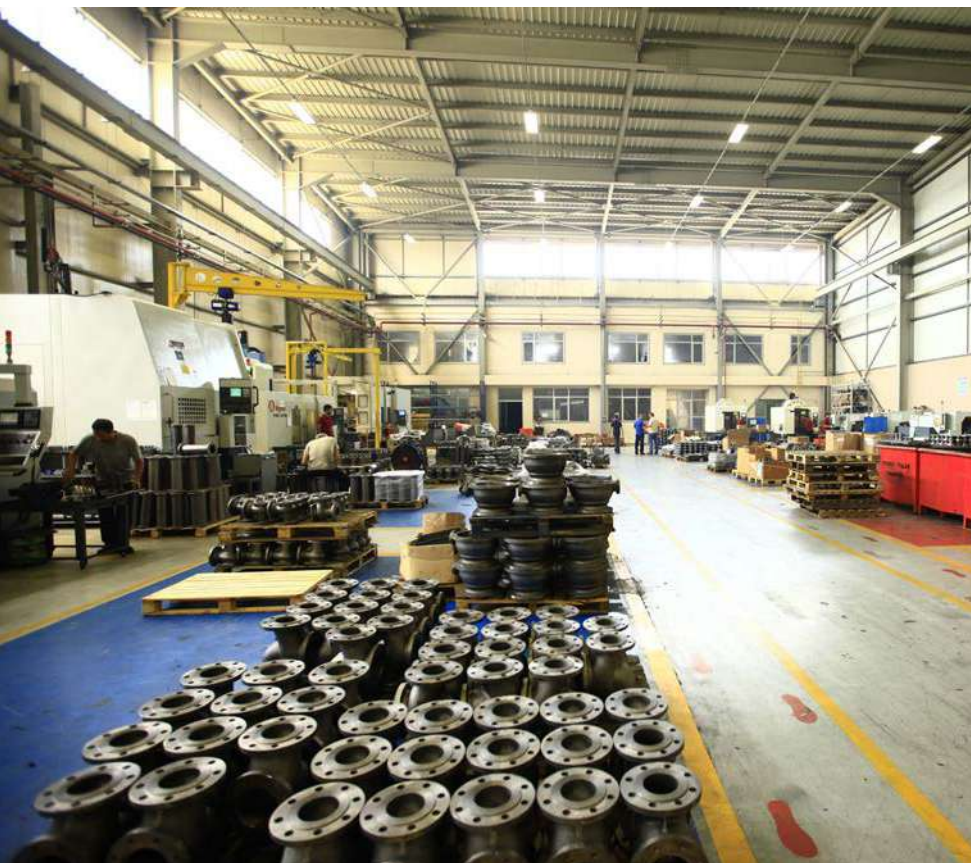
- VG 85346


Boyutlar / Dimensions

DN	D	H1	H2	L	Øk	Number of Holes	Ağırlık Weight (kg)
50	120	255	137	210	96	6	8,3









 **Gedik Welding**

Ankara Cad. No: 306 Şeyhli 34906
İstanbul / Turkey
T +90 216 378 50 00
F +90 216 378 20 44
www.gedikwelding.com



 **Gedik** Advanced Casting Technologies

Ankara Caddesi No: 306 Şeyhli 34906
İstanbul / Turkey
T +90 216 307 12 62
F +90 216 307 28 68-69

Factory

Sakarya 2.OSB 11 No'lu Yol No: 6 54300
Hendek Sakarya/ Türkiye
T +90 264 290 12 00
F +90 264 290 12 21
www.gedikcasting.com.tr



 **Gedik Thermo Valve**

Ankara Caddesi No: 306 Şeyhli 34906
İstanbul / Turkey
T +90 216 307 12 62
F +90 216 307 28 68-69

Factory

Sakarya 2.OSB 11 No'lu Yol No: 6 54300
Hendek Sakarya/ Türkiye
T +90 264 290 12 00
F +90 264 290 12 21
www.gediktermovalve.com



 **Gedik Education Foundation**

Ankara Caddesi No: 306
C Blok Şeyhli 34906
İstanbul / Turkey
T +90 216 378 50 00
F +90 216 378 20 44
www.gedikegitimvakfi.org.tr



 **Gedik Test Center**

Ankara Cad. No: 306 Şeyhli 34906
İstanbul / Turkey
T +90 216 378 50 00
F +90 216 378 20 44
www.gediktest.com



 **GEDİK University**

Cumhuriyet Mahallesi,
İlkbahar Sk. No: 1-3-5
34876 Yakacık / Kartal
İstanbul/ Turkey
T +90 216 452 45 85
444 5 438
F +90 216 452 87 17
www.gedik.edu.tr

 **Gedik Termovana**

 **Gedik Termovalve**

Gedik Termovana San. ve Tic. A.Ş.

Ankara Caddesi No: 306 Şeyhli 34906 İstanbul / Türkiye

T +90 216 307 12 62 • F +90 216 307 28 68-69

Fabrika

Sakarya 2.OSB 11 No'lu Yol No: 6 54300 Hendek Sakarya/ Türkiye

T +90 264 290 12 00 • F +90 264 290 12 21

www.gediktermovana.com.tr • satis@gediktermovana.com.tr

 **Gedik Holding**