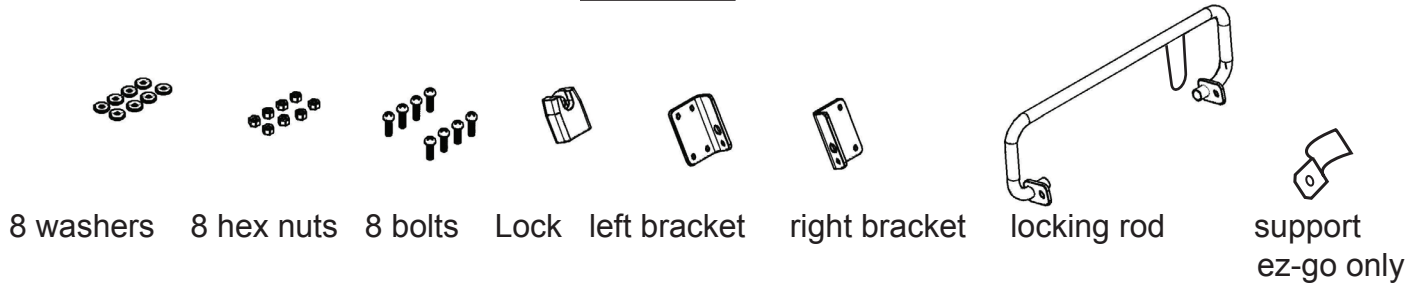


Golf Cart Lok Mounting Instructions

Parts List

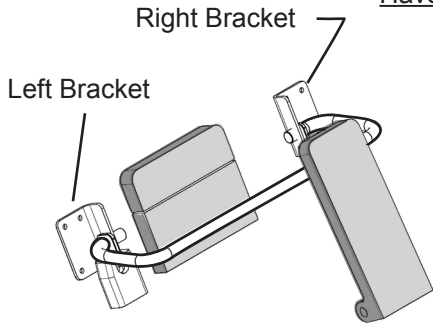


It is helpful to have two people to mount Golf Cart Lok. One to hold the unit in place while the other person checks the clearances and drills the mounting holes.

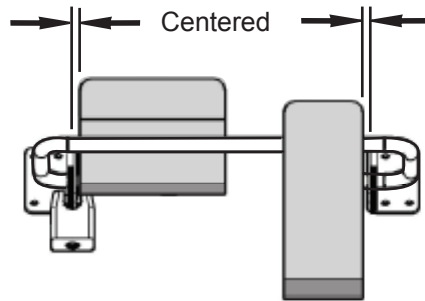
Note ** use grease on the mounting bolts to prevent the nuts from seizing to the bolts when installing.

Position Golf Cart Lock before drilling mounting holes

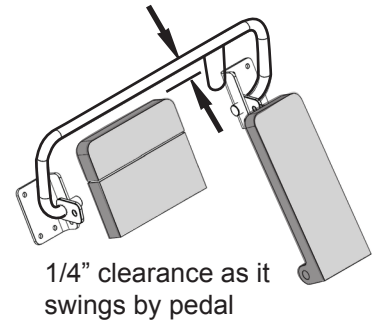
Have someone help hold the brackets to the floor for positioning



Depress brake pedal in parking brake position. Assemble Cart Lock as shown and position with locking bar over brake pedal and under gas pedal. Note** On Club cars, brake must be in bottom most position (3rd click)



Center unit left-to-right between pedals. **Keep locking bar level.**



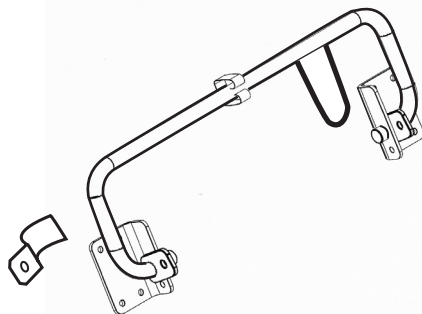
To locate vertically, remove lock. While holding brackets against the floor, rotate locking rod up and down so that it clears brake pedal by about 1/4".

Drill mounting holes

While holding the Golf Cart Lok in the proper position, use a 1/4" drill bit for the mounting holes. Drill through the holes in the mounting brackets, using them as a drill guide. Use grease on the mounting bolts to prevent the nuts from seizing to the bolts when installing. Drill one hole, insert a bolt. Drill a second hole and insert another bolt. Tighten the bolts just enough to be snug. Do this for both left and right mounting brackets. Be sure to hold locking bar level through this process. Drill remaining holes and insert bolts. Do not over-tighten hex nuts.

Support (EZ GO carts only)

Support clip goes on the underside. It attaches to one of the bolts on the left bracket and goes around the golf cart frame rail for added support.



When not in use

Place lock through locking tab and loop on left mounting bracket to prevent bar from flipping over pedals

