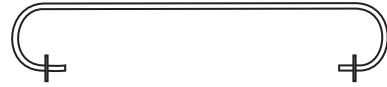


# Golf Cart Lok Mounting Instructions Yamaha

## Parts List

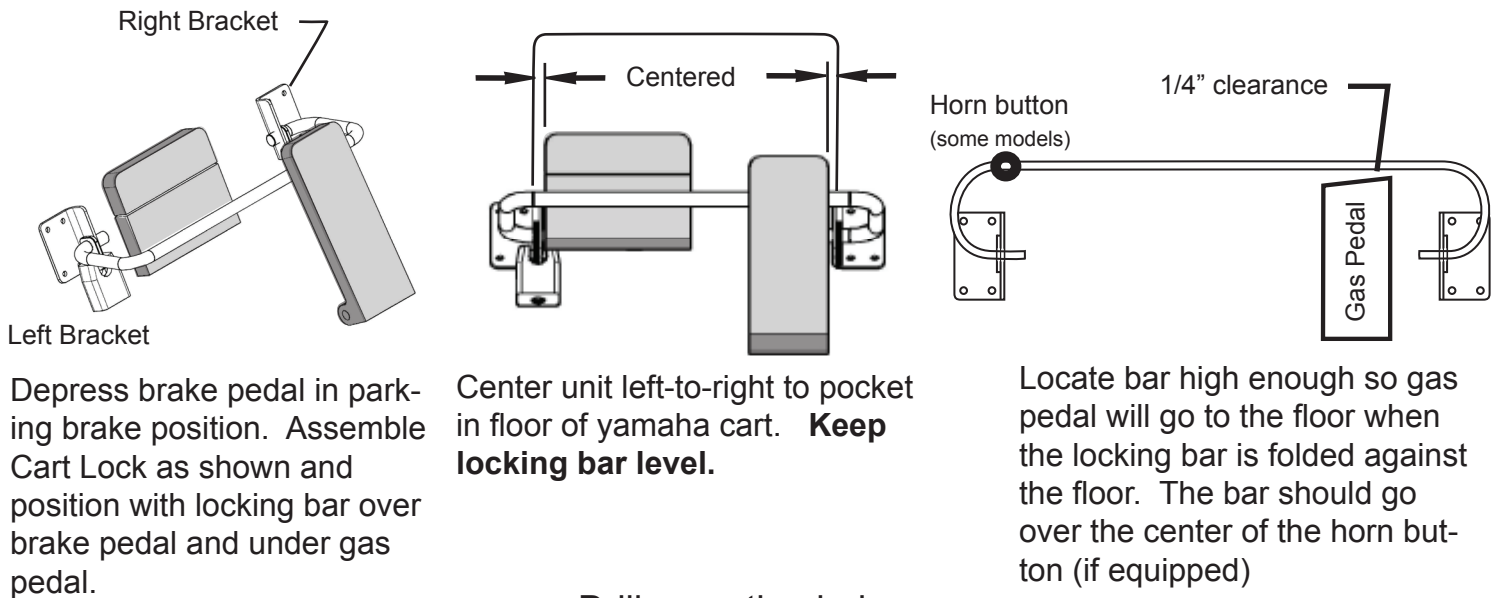


8 washers 8 hex nuts 8 bolts Lock left bracket right bracket locking rod

It is helpful to have two people to mount Golf Cart Lok. Nylon lock nuts are used on the mounting bolts to further prevent theft. One person will need to hold the mounting bolts with a screw driver while the other tightens the nuts from underneath. **\*\*IMPORTANT\*\*** Use a little grease on the bolts to prevent seizing. Break pedal must be in bottom most position.

Assemble the bar and brackets as shown. Get someone to help hold the assemble together while locating it on the floor.

## Position Golf Cart Lok before drilling mounting holes



## Drill mounting holes

While holding the Golf Cart Lok in the proper position, use a 1/4" drill bit for the mounting holes. Drill through the holes in the mounting brackets, using them as a drill guide. Drill one hole, insert a bolt. Add a flat washer and hex nut from the underside. Then drill a second hole and insert another bolt. Tighten the bolts just enough to be snug. Do this for both left and right mounting brackets. Be sure to hold locking bar level through this process. Drill remaining holes and insert bolts. Do not over-tighten hex nuts.

## When not in use

While driving cart, keep lock engaged in loop on left bracket and tab on locking bar. This will prevent the locking bar from inadvertently falling over the pedals. To blow the horn (some models) simply mash the bar.

