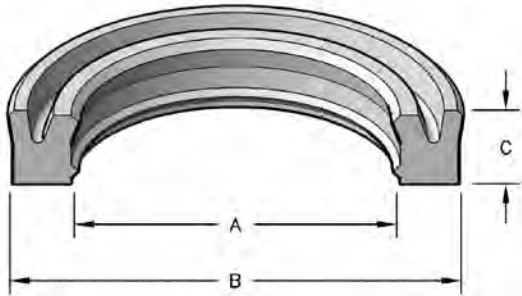


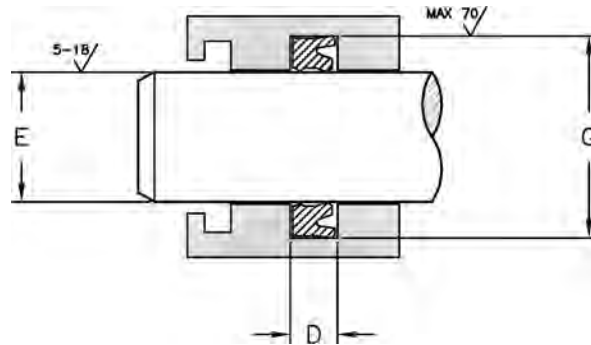
# STYLE DRTU HEAVY DUTY ROD U-SEALS

These seals are specifically designed with a second lip on their inside diameter and engineered to attain maximum life and reliability in dynamic rod sealing. This feature results in reduced leakage, less friction, increased stability, and prevents air and contaminants from entering the cylinder.



**PART NUMBERS**  
**DRTU 12 - 0.62 - 18**  
 Type of Seal    Cross Section    Inside Diameter    Height

SEAL INFORMATION	
MATERIAL	92A URETHANE
TEMPERATURE RANGE	-65° TO +230° F
PRESSURE RANGE	0 TO 6,000 PSI
SPEED	3 FT/SEC



MAXIMUM EXTRUSION GAP				
PRESSURE	1000 PSI	3000 PSI	5000 PSI	6000 PSI
MAX DIAM. GAP	0.032"	0.015"	0.012"	0.009"

Part Number	A Nom. ID	B Nom. OD	C Nom. Ht	D GROOVE WIDTH	E ROD DIAMETER	G HOUSING DIAMETER
<b>1/8" C/S</b>						
DRTU12-0.62-18	5/8	7/8	3/16	.218 <sup>+0.015</sup> / <sub>+0.000</sub>	.625 <sup>+0.000</sup> / <sub>-0.002</sub>	.875 <sup>+0.005</sup> / <sub>+0.000</sub>
DRTU12-0.75-25	3/4	1	1/4	.281 <sup>+0.015</sup> / <sub>+0.000</sub>	.750 <sup>+0.000</sup> / <sub>-0.003</sub>	1.000 <sup>+0.005</sup> / <sub>+0.000</sub>
DRTU12-1.00-25	1	1-1/4	1/4	.281 <sup>+0.015</sup> / <sub>+0.000</sub>	1.000 <sup>+0.000</sup> / <sub>-0.003</sub>	1.250 <sup>+0.005</sup> / <sub>+0.000</sub>
<b>3/16" C/S</b>						
DRTU18-0.75-25	3/4	1-1/8	1/4	.281 <sup>+0.015</sup> / <sub>+0.000</sub>	.750 <sup>+0.000</sup> / <sub>-0.003</sub>	1.125 <sup>+0.005</sup> / <sub>+0.000</sub>
DRTU18-0.75-31	3/4	1-1/8	5/16	.343 <sup>+0.015</sup> / <sub>+0.000</sub>	.750 <sup>+0.000</sup> / <sub>-0.003</sub>	1.125 <sup>+0.005</sup> / <sub>+0.000</sub>
DRTU18-1.00-31	1	1-3/8	5/16	.343 <sup>+0.015</sup> / <sub>+0.000</sub>	1.000 <sup>+0.000</sup> / <sub>-0.003</sub>	1.375 <sup>+0.005</sup> / <sub>+0.000</sub>
DRTU18-1.12-25	1-1/8	1-1/2	1/4	.281 <sup>+0.015</sup> / <sub>+0.000</sub>	1.125 <sup>+0.000</sup> / <sub>-0.003</sub>	1.500 <sup>+0.007</sup> / <sub>+0.000</sub>
DRTU18-1.12-31	1-1/8	1-1/2	5/16	.343 <sup>+0.015</sup> / <sub>+0.000</sub>	1.125 <sup>+0.000</sup> / <sub>-0.003</sub>	1.500 <sup>+0.007</sup> / <sub>+0.000</sub>
DRTU18-1.25-31	1-1/4	1-5/8	5/16	.343 <sup>+0.015</sup> / <sub>+0.000</sub>	1.250 <sup>+0.000</sup> / <sub>-0.003</sub>	1.625 <sup>+0.007</sup> / <sub>+0.000</sub>

ROD U-SEALS



# STYLE DRTU HEAVY DUTY ROD U-SEALS

Part Number	A Nom. ID	B Nom. OD	C Nom. Ht	D GROOVE WIDTH	E ROD DIAMETER	G HOUSING DIAMETER	
DRTU18-1.25-37	1-1/4	1-5/8	3/8	.406 <sup>+015</sup> / <sub>+000</sub>	1.250 <sup>+000</sup> / <sub>-.003</sub>	1.625 <sup>+007</sup> / <sub>+000</sub>	
DRTU18-1.37-31	1-3/8	1-3/4	5/16	.343 <sup>+015</sup> / <sub>+000</sub>	1.375 <sup>+000</sup> / <sub>-.003</sub>	1.750 <sup>+007</sup> / <sub>+000</sub>	
DRTU18-1.50-25	1-1/2	1-7/8	1/4	.281 <sup>+015</sup> / <sub>+000</sub>	1.500 <sup>+000</sup> / <sub>-.003</sub>	1.875 <sup>+007</sup> / <sub>+000</sub>	
DRTU18-1.50-31	1-1/2	1-7/8	5/16	.343 <sup>+015</sup> / <sub>+000</sub>	1.500 <sup>+000</sup> / <sub>-.003</sub>	1.875 <sup>+007</sup> / <sub>+000</sub>	
DRTU18-1.50-37	1-1/2	1-7/8	3/8	.406 <sup>+015</sup> / <sub>+000</sub>	1.500 <sup>+000</sup> / <sub>-.003</sub>	1.875 <sup>+007</sup> / <sub>+000</sub>	
DRTU18-1.62-37	1-5/8	2	3/8	.406 <sup>+015</sup> / <sub>+000</sub>	1.625 <sup>+000</sup> / <sub>-.003</sub>	2.000 <sup>+008</sup> / <sub>+000</sub>	
DRTU18-1.75-25	1-3/4	2-1/8	1/4	.281 <sup>+015</sup> / <sub>+000</sub>	1.750 <sup>+000</sup> / <sub>-.003</sub>	2.125 <sup>+008</sup> / <sub>+000</sub>	
DRTU18-1.75-31	1-3/4	2-1/8	5/16	.343 <sup>+015</sup> / <sub>+000</sub>	1.750 <sup>+000</sup> / <sub>-.003</sub>	2.125 <sup>+008</sup> / <sub>+000</sub>	
DRTU18-1.75-37	1-3/4	2-1/8	3/8	.406 <sup>+015</sup> / <sub>+000</sub>	1.750 <sup>+000</sup> / <sub>-.003</sub>	2.125 <sup>+008</sup> / <sub>+000</sub>	
DRTU18-1.87-37	1-7/8	2-1/4	3/8	.406 <sup>+015</sup> / <sub>+000</sub>	1.875 <sup>+000</sup> / <sub>-.003</sub>	2.250 <sup>+008</sup> / <sub>+000</sub>	
DRTU18-2.00-25	2	2-3/8	1/4	.281 <sup>+015</sup> / <sub>+000</sub>	2.000 <sup>+000</sup> / <sub>-.003</sub>	2.375 <sup>+008</sup> / <sub>+000</sub>	
DRTU18-2.00-31	2	2-3/8	5/16	.343 <sup>+015</sup> / <sub>+000</sub>	2.000 <sup>+000</sup> / <sub>-.003</sub>	2.375 <sup>+008</sup> / <sub>+000</sub>	
DRTU18-2.00-37	2	2-3/8	3/8	.406 <sup>+015</sup> / <sub>+000</sub>	2.000 <sup>+000</sup> / <sub>-.003</sub>	2.375 <sup>+008</sup> / <sub>+000</sub>	
DRTU18-2.25-37	2-1/4	2-5/8	3/8	.406 <sup>+015</sup> / <sub>+000</sub>	2.250 <sup>+000</sup> / <sub>-.003</sub>	2.625 <sup>+008</sup> / <sub>+000</sub>	
DRTU18-2.50-37	2-1/2	2-7/8	3/8	.406 <sup>+015</sup> / <sub>+000</sub>	2.500 <sup>+000</sup> / <sub>-.003</sub>	2.875 <sup>+008</sup> / <sub>+000</sub>	
<b>.2185" C/S</b>							
DRTU21-2.50-37	2-1/2	2.937	3/8	.406 <sup>+015</sup> / <sub>+000</sub>	2.500 <sup>+000</sup> / <sub>-.003</sub>	2.937 <sup>+008</sup> / <sub>+000</sub>	
<b>7/32" C/S</b>							
DRTU21-2.50-28	2-1/2	2.937	9/32	.312 <sup>+015</sup> / <sub>+000</sub>	2.500 <sup>+000</sup> / <sub>-.003</sub>	2.937 <sup>+008</sup> / <sub>+000</sub>	
DRTU21-3.00-28	3	3-7/16	9/32	.312 <sup>+015</sup> / <sub>+000</sub>	3.000 <sup>+000</sup> / <sub>-.004</sub>	3.4375 <sup>+009</sup> / <sub>+000</sub>	
<b>1/4" C/S</b>							
DRTU25-1.00-37	1	1-1/2	3/8	.406 <sup>+015</sup> / <sub>+000</sub>	1.000 <sup>+000</sup> / <sub>-.003</sub>	1.500 <sup>+007</sup> / <sub>+000</sub>	
DRTU25-1.25-37	1-1/4	1-3/4	3/8	.406 <sup>+015</sup> / <sub>+000</sub>	1.250 <sup>+000</sup> / <sub>-.003</sub>	1.750 <sup>+007</sup> / <sub>+000</sub>	
DRTU25-1.37-37	1-3/8	1-7/8	3/8	.406 <sup>+015</sup> / <sub>+000</sub>	1.375 <sup>+000</sup> / <sub>-.003</sub>	1.875 <sup>+007</sup> / <sub>+000</sub>	
DRTU25-1.50-37	1-1/2	2	3/8	.406 <sup>+015</sup> / <sub>+000</sub>	1.500 <sup>+000</sup> / <sub>-.003</sub>	2.000 <sup>+008</sup> / <sub>+000</sub>	
DRTU25-1.75-31	1-3/4	2-1/4	5/16	.343 <sup>+015</sup> / <sub>+000</sub>	1.750 <sup>+000</sup> / <sub>-.003</sub>	2.250 <sup>+008</sup> / <sub>+000</sub>	
DRTU25-1.75-37	1-3/4	2-1/4	3/8	.406 <sup>+015</sup> / <sub>+000</sub>	1.750 <sup>+000</sup> / <sub>-.003</sub>	2.250 <sup>+008</sup> / <sub>+000</sub>	
DRTU25-2.00-37	2	2-1/2	3/8	.406 <sup>+015</sup> / <sub>+000</sub>	2.000 <sup>+000</sup> / <sub>-.003</sub>	2.500 <sup>+008</sup> / <sub>+000</sub>	
DRTU25-2.25-37	2-1/4	2-3/4	3/8	.406 <sup>+015</sup> / <sub>+000</sub>	2.250 <sup>+000</sup> / <sub>-.003</sub>	2.750 <sup>+008</sup> / <sub>+000</sub>	
DRTU25-2.37-37	2-3/8	2-7/8	3/8	.406 <sup>+015</sup> / <sub>+000</sub>	2.375 <sup>+000</sup> / <sub>-.003</sub>	2.875 <sup>+008</sup> / <sub>+000</sub>	
DRTU25-2.50-37	2-1/2	3	3/8	.406 <sup>+015</sup> / <sub>+000</sub>	2.500 <sup>+000</sup> / <sub>-.003</sub>	3.000 <sup>+008</sup> / <sub>+000</sub>	
DRTU25-2.75-37	2-3/4	3-1/4	3/8	.406 <sup>+015</sup> / <sub>+000</sub>	2.750 <sup>+000</sup> / <sub>-.003</sub>	3.250 <sup>+009</sup> / <sub>+000</sub>	
DRTU25-3.00-37	3	3-1/2	3/8	.406 <sup>+015</sup> / <sub>+000</sub>	3.000 <sup>+000</sup> / <sub>-.004</sub>	3.500 <sup>+009</sup> / <sub>+000</sub>	
DRTU25-3.25-31	3-1/4	3-3/4	5/16	.343 <sup>+015</sup> / <sub>+000</sub>	3.250 <sup>+000</sup> / <sub>-.004</sub>	3.750 <sup>+009</sup> / <sub>+000</sub>	

ROD U-SEALS



# STYLE DRTU HEAVY DUTY ROD U-SEALS

Part Number	A Nom. ID	B Nom. OD	C Nom. Ht	D GROOVE WIDTH	E ROD DIAMETER	G HOUSING DIAMETER	
DRTU25-3.25-37	3-1/4	3-3/4	3/8	.406 <sup>+015</sup> / <sub>+000</sub>	3.250 <sup>+000</sup> / <sub>-004</sub>	3.750 <sup>+009</sup> / <sub>+000</sub>	
DRTU25-3.50-31	3-1/2	4	5/16	.343 <sup>+015</sup> / <sub>+000</sub>	3.500 <sup>+000</sup> / <sub>-004</sub>	4.000 <sup>+009</sup> / <sub>+000</sub>	
DRTU25-3.50-37	3-1/2	4	3/8	.406 <sup>+015</sup> / <sub>+000</sub>	3.500 <sup>+000</sup> / <sub>-004</sub>	4.000 <sup>+009</sup> / <sub>+000</sub>	
DRTU25-3.75-37	3-3/4	4-1/4	3/8	.406 <sup>+015</sup> / <sub>+000</sub>	3.750 <sup>+000</sup> / <sub>-004</sub>	4.250 <sup>+009</sup> / <sub>+000</sub>	
DRTU25-4.00-31	4	4-1/2	5/16	.343 <sup>+015</sup> / <sub>+000</sub>	4.000 <sup>+000</sup> / <sub>-004</sub>	4.500 <sup>+009</sup> / <sub>+000</sub>	
DRTU25-4.00-37	4	4-1/2	3/8	.406 <sup>+015</sup> / <sub>+000</sub>	4.000 <sup>+000</sup> / <sub>-004</sub>	4.500 <sup>+009</sup> / <sub>+000</sub>	
DRTU25-4.50-31	4-1/2	5	5/16	.343 <sup>+015</sup> / <sub>+000</sub>	4.500 <sup>+000</sup> / <sub>-004</sub>	5.000 <sup>+010</sup> / <sub>+000</sub>	
DRTU25-4.50-56	4-1/2	5	9/16	.593 <sup>+015</sup> / <sub>+000</sub>	4.500 <sup>+000</sup> / <sub>-004</sub>	5.000 <sup>+010</sup> / <sub>+000</sub>	
DRTU25-4.75-56	4-3/4	5-1/4	9/16	.593 <sup>+015</sup> / <sub>+000</sub>	4.750 <sup>+000</sup> / <sub>-004</sub>	5.250 <sup>+010</sup> / <sub>+000</sub>	
DRTU25-5.50-56	5-1/2	6	9/16	.593 <sup>+015</sup> / <sub>+000</sub>	5.500 <sup>+000</sup> / <sub>-004</sub>	6.000 <sup>+010</sup> / <sub>+000</sub>	
<b>5/16" C/S</b>							
DRTU31-1.75-37	1-3/4	2-3/8	3/8	.406 <sup>+015</sup> / <sub>+000</sub>	1.750 <sup>+000</sup> / <sub>-003</sub>	2.375 <sup>+008</sup> / <sub>+000</sub>	
DRTU31-1.75-50	1-3/4	2-3/8	1/2	.531 <sup>+015</sup> / <sub>+000</sub>	1.750 <sup>+000</sup> / <sub>-003</sub>	2.375 <sup>+008</sup> / <sub>+000</sub>	
DRTU31-2.00-50	2	2-5/8	1/2	.531 <sup>+015</sup> / <sub>+000</sub>	2.000 <sup>+000</sup> / <sub>-003</sub>	2.625 <sup>+008</sup> / <sub>+000</sub>	
DRTU31-2.50-50	2-1/2	3-1/8	1/2	.531 <sup>+015</sup> / <sub>+000</sub>	2.500 <sup>+000</sup> / <sub>-003</sub>	3.125 <sup>+008</sup> / <sub>+000</sub>	
DRTU31-2.75-50	2-3/4	3-3/8	1/2	.531 <sup>+015</sup> / <sub>+000</sub>	2.750 <sup>+000</sup> / <sub>-003</sub>	3.375 <sup>+009</sup> / <sub>+000</sub>	
DRTU31-3.00-50	3	3-5/8	1/2	.531 <sup>+015</sup> / <sub>+000</sub>	3.000 <sup>+000</sup> / <sub>-004</sub>	3.625 <sup>+009</sup> / <sub>+000</sub>	
DRTU31-4.00-37	4	4-5/8	3/8	.406 <sup>+015</sup> / <sub>+000</sub>	4.000 <sup>+000</sup> / <sub>-004</sub>	4.625 <sup>+009</sup> / <sub>+000</sub>	
DRTU31-5.50-37	5-1/2	6-1/8	3/8	.406 <sup>+015</sup> / <sub>+000</sub>	5.500 <sup>+000</sup> / <sub>-004</sub>	6.125 <sup>+015</sup> / <sub>+000</sub>	
DRTU31-7.00-37	7	7-5/8	3/8	.406 <sup>+015</sup> / <sub>+000</sub>	7.000 <sup>+000</sup> / <sub>-005</sub>	7.625 <sup>+011</sup> / <sub>+000</sub>	
<b>3/8" C/S</b>							
DRTU37-2.75-62	2-3/4	3-1/2	5/8	.656 <sup>+015</sup> / <sub>+000</sub>	2.750 <sup>+000</sup> / <sub>-003</sub>	3.500 <sup>+009</sup> / <sub>+000</sub>	
DRTU37-3.00-50	3	3-3/4	1/2	.531 <sup>+015</sup> / <sub>+000</sub>	3.000 <sup>+000</sup> / <sub>-004</sub>	3.750 <sup>+009</sup> / <sub>+000</sub>	
DRTU37-3.50-62	3-1/2	4-1/4	5/8	.656 <sup>+015</sup> / <sub>+000</sub>	3.500 <sup>+000</sup> / <sub>-004</sub>	4.250 <sup>+009</sup> / <sub>+000</sub>	
DRTU37-4.00-62	4	4-3/4	5/8	.656 <sup>+015</sup> / <sub>+000</sub>	4.000 <sup>+000</sup> / <sub>-004</sub>	4.750 <sup>+009</sup> / <sub>+000</sub>	
DRTU37-4.50-62	4-1/2	5-1/4	5/8	.656 <sup>+015</sup> / <sub>+000</sub>	4.500 <sup>+000</sup> / <sub>-004</sub>	5.250 <sup>+010</sup> / <sub>+000</sub>	
DRTU37-4.75-62	4-3/4	5-1/2	5/8	.656 <sup>+015</sup> / <sub>+000</sub>	4.750 <sup>+000</sup> / <sub>-004</sub>	5.500 <sup>+010</sup> / <sub>+000</sub>	
DRTU37-5.00-62	5	5-3/4	5/8	.656 <sup>+015</sup> / <sub>+000</sub>	5.000 <sup>+000</sup> / <sub>-004</sub>	5.750 <sup>+010</sup> / <sub>+000</sub>	

\* Many other sizes available. Call for inquiries.

**ROD U-SEALS**

