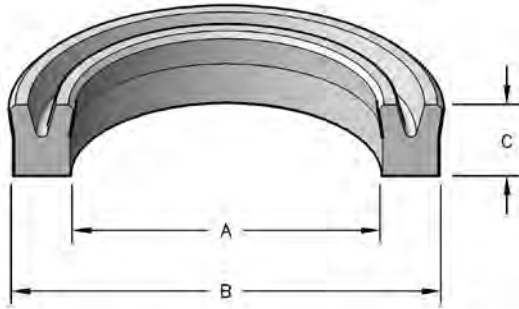


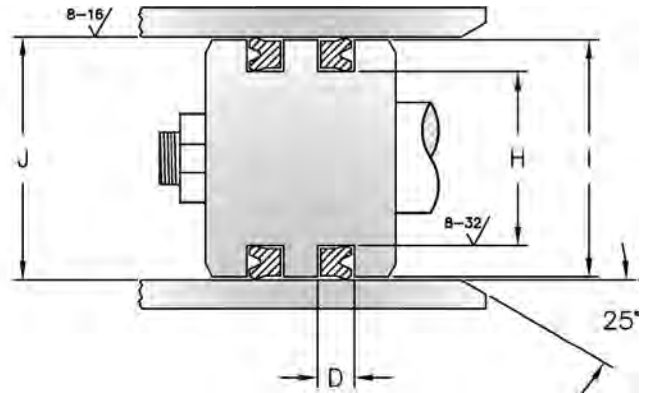
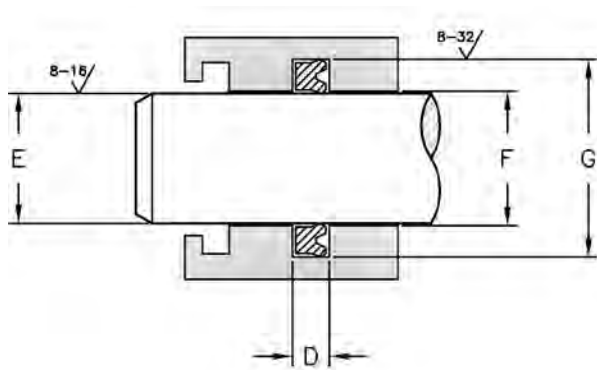
# STYLE DSU HEAVY DUTY SYMMETRICAL U-SEALS

Used interchangeably for piston or rod sealing, these u-seals employ the same tough urethane material found in our Heavy Duty Rod and Piston U-Seals.



**PART NUMBERS**  
**DSU 12 - 0.18 - 12**  
 Type of Seal | Cross Section | Inside Diameter | Height

SEAL INFORMATION	
MATERIAL	92A URETHANE
TEMPERATURE RANGE	-40° TO +230° F
PRESSURE RANGE	0 TO 4,000 PSI
SPEED	3 FT/SEC



Part Number	A Nom. ID	B Nom. OD	C Nom. Ht	D GROOVE WIDTH	E ROD DIAMETER	F THROAT DIAMETER	G HOUSING DIAMETER	H GROOVE DIAMETER	I PISTON DIAMETER	J BORE DIAMETER	
<b>1/8" C/S</b>											
DSU12-0.18-12	3/16	7/16	1/8	.156 <sup>+0.015</sup> / <sub>+0.000</sub>	.187 <sup>+0.000</sup> / <sub>-0.003</sub>	.189 <sup>+0.003</sup> / <sub>+0.000</sub>	.438 <sup>+0.005</sup> / <sub>+0.000</sub>	.187 <sup>+0.000</sup> / <sub>-0.003</sub>	.437 <sup>+0.000</sup> / <sub>-0.003</sub>	.438 <sup>+0.005</sup> / <sub>+0.000</sub>	
DSU12-0.18-25	3/16	7/16	1/4	.281 <sup>+0.015</sup> / <sub>+0.000</sub>	.187 <sup>+0.000</sup> / <sub>-0.003</sub>	.189 <sup>+0.003</sup> / <sub>+0.000</sub>	.438 <sup>+0.005</sup> / <sub>+0.000</sub>	.187 <sup>+0.000</sup> / <sub>-0.003</sub>	.437 <sup>+0.000</sup> / <sub>-0.003</sub>	.438 <sup>+0.005</sup> / <sub>+0.000</sub>	
DSU12-0.25-18	1/4	1/2	3/16	.218 <sup>+0.015</sup> / <sub>+0.000</sub>	.250 <sup>+0.000</sup> / <sub>-0.003</sub>	.251 <sup>+0.003</sup> / <sub>+0.000</sub>	.500 <sup>+0.005</sup> / <sub>+0.000</sub>	.250 <sup>+0.000</sup> / <sub>-0.003</sub>	.499 <sup>+0.000</sup> / <sub>-0.003</sub>	.500 <sup>+0.005</sup> / <sub>+0.000</sub>	
DSU12-0.31-25	5/16	9/16	1/4	.281 <sup>+0.015</sup> / <sub>+0.000</sub>	.312 <sup>+0.000</sup> / <sub>-0.003</sub>	.313 <sup>+0.003</sup> / <sub>+0.000</sub>	.563 <sup>+0.005</sup> / <sub>+0.000</sub>	.312 <sup>+0.000</sup> / <sub>-0.003</sub>	.561 <sup>+0.000</sup> / <sub>-0.003</sub>	.563 <sup>+0.005</sup> / <sub>+0.000</sub>	
DSU12-0.37-12	3/8	5/8	1/8	.156 <sup>+0.015</sup> / <sub>+0.000</sub>	.375 <sup>+0.000</sup> / <sub>-0.003</sub>	.376 <sup>+0.003</sup> / <sub>+0.000</sub>	.625 <sup>+0.005</sup> / <sub>+0.000</sub>	.375 <sup>+0.000</sup> / <sub>-0.003</sub>	.624 <sup>+0.000</sup> / <sub>-0.003</sub>	.625 <sup>+0.005</sup> / <sub>+0.000</sub>	
DSU12-0.37-25	3/8	5/8	1/4	.281 <sup>+0.015</sup> / <sub>+0.000</sub>	.375 <sup>+0.000</sup> / <sub>-0.003</sub>	.376 <sup>+0.003</sup> / <sub>+0.000</sub>	.625 <sup>+0.005</sup> / <sub>+0.000</sub>	.375 <sup>+0.000</sup> / <sub>-0.003</sub>	.624 <sup>+0.000</sup> / <sub>-0.003</sub>	.625 <sup>+0.005</sup> / <sub>+0.000</sub>	
DSU12-0.50-12	1/2	3/4	1/8	.156 <sup>+0.015</sup> / <sub>+0.000</sub>	.500 <sup>+0.000</sup> / <sub>-0.003</sub>	.501 <sup>+0.003</sup> / <sub>+0.000</sub>	.750 <sup>+0.005</sup> / <sub>+0.000</sub>	.500 <sup>+0.000</sup> / <sub>-0.003</sub>	.749 <sup>+0.000</sup> / <sub>-0.003</sub>	.750 <sup>+0.005</sup> / <sub>+0.000</sub>	
DSU12-0.50-25	1/2	3/4	1/4	.281 <sup>+0.015</sup> / <sub>+0.000</sub>	.500 <sup>+0.000</sup> / <sub>-0.003</sub>	.501 <sup>+0.003</sup> / <sub>+0.000</sub>	.750 <sup>+0.005</sup> / <sub>+0.000</sub>	.500 <sup>+0.000</sup> / <sub>-0.003</sub>	.749 <sup>+0.000</sup> / <sub>-0.003</sub>	.750 <sup>+0.005</sup> / <sub>+0.000</sub>	
DSU12-0.56-12	9/16	13/16	1/8	.156 <sup>+0.015</sup> / <sub>+0.000</sub>	.562 <sup>+0.000</sup> / <sub>-0.003</sub>	.564 <sup>+0.003</sup> / <sub>+0.000</sub>	.813 <sup>+0.005</sup> / <sub>+0.000</sub>	.562 <sup>+0.000</sup> / <sub>-0.003</sub>	.812 <sup>+0.000</sup> / <sub>-0.003</sub>	.813 <sup>+0.005</sup> / <sub>+0.000</sub>	
DSU12-0.62-12	5/8	7/8	1/8	.156 <sup>+0.015</sup> / <sub>+0.000</sub>	.625 <sup>+0.000</sup> / <sub>-0.003</sub>	.626 <sup>+0.003</sup> / <sub>+0.000</sub>	.875 <sup>+0.005</sup> / <sub>+0.000</sub>	.625 <sup>+0.000</sup> / <sub>-0.003</sub>	.874 <sup>+0.000</sup> / <sub>-0.003</sub>	.875 <sup>+0.005</sup> / <sub>+0.000</sub>	
DSU12-0.62-25	5/8	7/8	1/4	.281 <sup>+0.015</sup> / <sub>+0.000</sub>	.625 <sup>+0.000</sup> / <sub>-0.003</sub>	.626 <sup>+0.003</sup> / <sub>+0.000</sub>	.875 <sup>+0.005</sup> / <sub>+0.000</sub>	.625 <sup>+0.000</sup> / <sub>-0.003</sub>	.874 <sup>+0.000</sup> / <sub>-0.003</sub>	.875 <sup>+0.005</sup> / <sub>+0.000</sub>	

U-SEALS



# STYLE DSU HEAVY DUTY SYMMETRICAL U-SEALS

Part Number	A Nom. ID	B Nom. OD	C Nom. Ht	D GROOVE WIDTH	E ROD DIAMETER	F THROAT DIAMETER	G HOUSING DIAMETER	H GROOVE DIAMETER	I PISTON DIAMETER	J BORE DIAMETER	
DSU12-0.75-12	3/4	1	1/8	.156 <sup>+0.015</sup> / <sub>+0.000</sub>	.750 <sup>+0.000</sup> / <sub>-0.003</sub>	.751 <sup>+0.003</sup> / <sub>+0.000</sub>	1.000 <sup>+0.005</sup> / <sub>+0.000</sub>	.750 <sup>+0.000</sup> / <sub>-0.003</sub>	.999 <sup>+0.000</sup> / <sub>-0.003</sub>	1.000 <sup>+0.005</sup> / <sub>+0.000</sub>	
DSU12-0.75-18	3/4	1	3/16	.218 <sup>+0.015</sup> / <sub>+0.000</sub>	.750 <sup>+0.000</sup> / <sub>-0.003</sub>	.751 <sup>+0.003</sup> / <sub>+0.000</sub>	1.000 <sup>+0.005</sup> / <sub>+0.000</sub>	.750 <sup>+0.000</sup> / <sub>-0.003</sub>	.999 <sup>+0.000</sup> / <sub>-0.003</sub>	1.000 <sup>+0.005</sup> / <sub>+0.000</sub>	
DSU12-0.75-25	3/4	1	1/4	.281 <sup>+0.015</sup> / <sub>+0.000</sub>	.750 <sup>+0.000</sup> / <sub>-0.003</sub>	.751 <sup>+0.003</sup> / <sub>+0.000</sub>	1.000 <sup>+0.005</sup> / <sub>+0.000</sub>	.750 <sup>+0.000</sup> / <sub>-0.003</sub>	.999 <sup>+0.000</sup> / <sub>-0.003</sub>	1.000 <sup>+0.005</sup> / <sub>+0.000</sub>	
DSU12-0.87-12	7/8	1-1/8	1/8	.156 <sup>+0.015</sup> / <sub>+0.000</sub>	.875 <sup>+0.000</sup> / <sub>-0.003</sub>	.876 <sup>+0.003</sup> / <sub>+0.000</sub>	1.125 <sup>+0.005</sup> / <sub>+0.000</sub>	.875 <sup>+0.000</sup> / <sub>-0.003</sub>	1.124 <sup>+0.000</sup> / <sub>-0.003</sub>	1.125 <sup>+0.005</sup> / <sub>+0.000</sub>	
DSU12-0.87-17	7/8	1-1/8	11/64	.202 <sup>+0.015</sup> / <sub>+0.000</sub>	.875 <sup>+0.000</sup> / <sub>-0.003</sub>	.876 <sup>+0.003</sup> / <sub>+0.000</sub>	1.125 <sup>+0.005</sup> / <sub>+0.000</sub>	.875 <sup>+0.000</sup> / <sub>-0.003</sub>	1.124 <sup>+0.000</sup> / <sub>-0.003</sub>	1.125 <sup>+0.005</sup> / <sub>+0.000</sub>	
DSU12-0.87-25	7/8	1-1/8	1/4	.281 <sup>+0.015</sup> / <sub>+0.000</sub>	.875 <sup>+0.000</sup> / <sub>-0.003</sub>	.876 <sup>+0.003</sup> / <sub>+0.000</sub>	1.125 <sup>+0.005</sup> / <sub>+0.000</sub>	.875 <sup>+0.000</sup> / <sub>-0.003</sub>	1.124 <sup>+0.000</sup> / <sub>-0.003</sub>	1.125 <sup>+0.005</sup> / <sub>+0.000</sub>	
DSU12-1.00-12	1	1-1/4	1/8	.156 <sup>+0.015</sup> / <sub>+0.000</sub>	1.000 <sup>+0.000</sup> / <sub>-0.003</sub>	1.001 <sup>+0.003</sup> / <sub>+0.000</sub>	1.250 <sup>+0.005</sup> / <sub>+0.000</sub>	1.000 <sup>+0.000</sup> / <sub>-0.003</sub>	1.249 <sup>+0.000</sup> / <sub>-0.003</sub>	1.250 <sup>+0.005</sup> / <sub>+0.000</sub>	
DSU12-1.00-15	1	1-1/4	5/32	.187 <sup>+0.015</sup> / <sub>+0.000</sub>	1.000 <sup>+0.000</sup> / <sub>-0.003</sub>	1.001 <sup>+0.003</sup> / <sub>+0.000</sub>	1.250 <sup>+0.005</sup> / <sub>+0.000</sub>	1.000 <sup>+0.000</sup> / <sub>-0.003</sub>	1.249 <sup>+0.000</sup> / <sub>-0.003</sub>	1.250 <sup>+0.005</sup> / <sub>+0.000</sub>	
DSU12-1.00-18	1	1-1/4	3/16	.218 <sup>+0.015</sup> / <sub>+0.000</sub>	1.000 <sup>+0.000</sup> / <sub>-0.003</sub>	1.001 <sup>+0.003</sup> / <sub>+0.000</sub>	1.250 <sup>+0.005</sup> / <sub>+0.000</sub>	1.000 <sup>+0.000</sup> / <sub>-0.003</sub>	1.249 <sup>+0.000</sup> / <sub>-0.003</sub>	1.250 <sup>+0.005</sup> / <sub>+0.000</sub>	
DSU12-1.00-25	1	1-1/4	1/4	.281 <sup>+0.015</sup> / <sub>+0.000</sub>	1.000 <sup>+0.000</sup> / <sub>-0.003</sub>	1.001 <sup>+0.003</sup> / <sub>+0.000</sub>	1.250 <sup>+0.005</sup> / <sub>+0.000</sub>	1.000 <sup>+0.000</sup> / <sub>-0.003</sub>	1.249 <sup>+0.000</sup> / <sub>-0.003</sub>	1.250 <sup>+0.005</sup> / <sub>+0.000</sub>	
DSU12-1.12-12	1-1/8	1-3/8	1/8	.156 <sup>+0.015</sup> / <sub>+0.000</sub>	1.125 <sup>+0.000</sup> / <sub>-0.003</sub>	1.126 <sup>+0.003</sup> / <sub>+0.000</sub>	1.375 <sup>+0.005</sup> / <sub>+0.000</sub>	1.125 <sup>+0.000</sup> / <sub>-0.003</sub>	1.374 <sup>+0.000</sup> / <sub>-0.003</sub>	1.375 <sup>+0.005</sup> / <sub>+0.000</sub>	
DSU12-1.12-25	1-1/8	1-3/8	1/4	.281 <sup>+0.015</sup> / <sub>+0.000</sub>	1.125 <sup>+0.000</sup> / <sub>-0.003</sub>	1.126 <sup>+0.003</sup> / <sub>+0.000</sub>	1.375 <sup>+0.005</sup> / <sub>+0.000</sub>	1.125 <sup>+0.000</sup> / <sub>-0.003</sub>	1.374 <sup>+0.000</sup> / <sub>-0.003</sub>	1.375 <sup>+0.005</sup> / <sub>+0.000</sub>	
DSU12-1.25-12	1-1/4	1-1/2	1/8	.156 <sup>+0.015</sup> / <sub>+0.000</sub>	1.250 <sup>+0.000</sup> / <sub>-0.003</sub>	1.251 <sup>+0.003</sup> / <sub>+0.000</sub>	1.500 <sup>+0.007</sup> / <sub>+0.000</sub>	1.250 <sup>+0.000</sup> / <sub>-0.003</sub>	1.499 <sup>+0.000</sup> / <sub>-0.003</sub>	1.500 <sup>+0.007</sup> / <sub>+0.000</sub>	
DSU12-1.25-15	1-1/4	1-1/2	5/32	.187 <sup>+0.015</sup> / <sub>+0.000</sub>	1.250 <sup>+0.000</sup> / <sub>-0.003</sub>	1.251 <sup>+0.003</sup> / <sub>+0.000</sub>	1.500 <sup>+0.007</sup> / <sub>+0.000</sub>	1.250 <sup>+0.000</sup> / <sub>-0.003</sub>	1.499 <sup>+0.000</sup> / <sub>-0.003</sub>	1.500 <sup>+0.007</sup> / <sub>+0.000</sub>	
DSU12-1.25-18	1-1/4	1-1/2	3/16	.218 <sup>+0.015</sup> / <sub>+0.000</sub>	1.250 <sup>+0.000</sup> / <sub>-0.003</sub>	1.251 <sup>+0.003</sup> / <sub>+0.000</sub>	1.500 <sup>+0.007</sup> / <sub>+0.000</sub>	1.250 <sup>+0.000</sup> / <sub>-0.003</sub>	1.499 <sup>+0.000</sup> / <sub>-0.003</sub>	1.500 <sup>+0.007</sup> / <sub>+0.000</sub>	
DSU12-1.25-25	1-1/4	1-1/2	1/4	.281 <sup>+0.015</sup> / <sub>+0.000</sub>	1.250 <sup>+0.000</sup> / <sub>-0.003</sub>	1.251 <sup>+0.003</sup> / <sub>+0.000</sub>	1.500 <sup>+0.007</sup> / <sub>+0.000</sub>	1.250 <sup>+0.000</sup> / <sub>-0.003</sub>	1.499 <sup>+0.000</sup> / <sub>-0.003</sub>	1.500 <sup>+0.007</sup> / <sub>+0.000</sub>	
DSU12-1.31-25	1-5/16	1-9/16	1/4	.281 <sup>+0.015</sup> / <sub>+0.000</sub>	1.312 <sup>+0.000</sup> / <sub>-0.003</sub>	1.313 <sup>+0.003</sup> / <sub>+0.000</sub>	1.563 <sup>+0.007</sup> / <sub>+0.000</sub>	1.312 <sup>+0.000</sup> / <sub>-0.003</sub>	1.562 <sup>+0.000</sup> / <sub>-0.003</sub>	1.563 <sup>+0.007</sup> / <sub>+0.000</sub>	
DSU12-1.37-25	1-3/8	1-5/8	1/4	.281 <sup>+0.015</sup> / <sub>+0.000</sub>	1.375 <sup>+0.000</sup> / <sub>-0.003</sub>	1.376 <sup>+0.003</sup> / <sub>+0.000</sub>	1.625 <sup>+0.007</sup> / <sub>+0.000</sub>	1.375 <sup>+0.000</sup> / <sub>-0.003</sub>	1.624 <sup>+0.000</sup> / <sub>-0.003</sub>	1.625 <sup>+0.007</sup> / <sub>+0.000</sub>	
DSU12-1.50-25	1-1/2	1-3/4	1/4	.281 <sup>+0.015</sup> / <sub>+0.000</sub>	1.500 <sup>+0.000</sup> / <sub>-0.003</sub>	1.501 <sup>+0.003</sup> / <sub>+0.000</sub>	1.750 <sup>+0.007</sup> / <sub>+0.000</sub>	1.500 <sup>+0.000</sup> / <sub>-0.003</sub>	1.749 <sup>+0.000</sup> / <sub>-0.003</sub>	1.750 <sup>+0.007</sup> / <sub>+0.000</sub>	
<b>3/16" C/S</b>											
DSU18-0.25-25	1/4	5/8	1/4	.281 <sup>+0.015</sup> / <sub>+0.000</sub>	.250 <sup>+0.000</sup> / <sub>-0.003</sub>	.251 <sup>+0.003</sup> / <sub>+0.000</sub>	.625 <sup>+0.005</sup> / <sub>+0.000</sub>	.250 <sup>+0.000</sup> / <sub>-0.003</sub>	.624 <sup>+0.000</sup> / <sub>-0.003</sub>	.625 <sup>+0.005</sup> / <sub>+0.000</sub>	
DSU18-0.25-31	1/4	5/8	5/16	.343 <sup>+0.015</sup> / <sub>+0.000</sub>	.250 <sup>+0.000</sup> / <sub>-0.003</sub>	.251 <sup>+0.003</sup> / <sub>+0.000</sub>	.625 <sup>+0.005</sup> / <sub>+0.000</sub>	.250 <sup>+0.000</sup> / <sub>-0.003</sub>	.624 <sup>+0.000</sup> / <sub>-0.003</sub>	.625 <sup>+0.005</sup> / <sub>+0.000</sub>	
DSU18-0.37-31	3/8	3/4	5/16	.343 <sup>+0.015</sup> / <sub>+0.000</sub>	.375 <sup>+0.000</sup> / <sub>-0.003</sub>	.376 <sup>+0.003</sup> / <sub>+0.000</sub>	.750 <sup>+0.005</sup> / <sub>+0.000</sub>	.375 <sup>+0.000</sup> / <sub>-0.003</sub>	.749 <sup>+0.000</sup> / <sub>-0.003</sub>	.750 <sup>+0.005</sup> / <sub>+0.000</sub>	
DSU18-0.50-18	1/2	7/8	3/16	.218 <sup>+0.015</sup> / <sub>+0.000</sub>	.500 <sup>+0.000</sup> / <sub>-0.003</sub>	.501 <sup>+0.003</sup> / <sub>+0.000</sub>	.875 <sup>+0.005</sup> / <sub>+0.000</sub>	.500 <sup>+0.000</sup> / <sub>-0.003</sub>	.874 <sup>+0.000</sup> / <sub>-0.003</sub>	.875 <sup>+0.005</sup> / <sub>+0.000</sub>	
DSU18-0.50-31	1/2	7/8	5/16	.343 <sup>+0.015</sup> / <sub>+0.000</sub>	.500 <sup>+0.000</sup> / <sub>-0.003</sub>	.501 <sup>+0.003</sup> / <sub>+0.000</sub>	.875 <sup>+0.005</sup> / <sub>+0.000</sub>	.500 <sup>+0.000</sup> / <sub>-0.003</sub>	.874 <sup>+0.000</sup> / <sub>-0.003</sub>	.875 <sup>+0.005</sup> / <sub>+0.000</sub>	
DSU18-0.56-18	9/16	15/16	3/16	.218 <sup>+0.015</sup> / <sub>+0.000</sub>	.562 <sup>+0.000</sup> / <sub>-0.003</sub>	.564 <sup>+0.003</sup> / <sub>+0.000</sub>	.938 <sup>+0.005</sup> / <sub>+0.000</sub>	.562 <sup>+0.000</sup> / <sub>-0.003</sub>	.937 <sup>+0.000</sup> / <sub>-0.003</sub>	.938 <sup>+0.005</sup> / <sub>+0.000</sub>	
DSU18-0.62-18	5/8	1	3/16	.218 <sup>+0.015</sup> / <sub>+0.000</sub>	.625 <sup>+0.000</sup> / <sub>-0.003</sub>	.626 <sup>+0.003</sup> / <sub>+0.000</sub>	1.000 <sup>+0.005</sup> / <sub>+0.000</sub>	.625 <sup>+0.000</sup> / <sub>-0.003</sub>	.999 <sup>+0.000</sup> / <sub>-0.003</sub>	1.000 <sup>+0.005</sup> / <sub>+0.000</sub>	
DSU18-0.62-25	5/8	1	1/4	.281 <sup>+0.015</sup> / <sub>+0.000</sub>	.625 <sup>+0.000</sup> / <sub>-0.003</sub>	.626 <sup>+0.003</sup> / <sub>+0.000</sub>	1.000 <sup>+0.005</sup> / <sub>+0.000</sub>	.625 <sup>+0.000</sup> / <sub>-0.003</sub>	.999 <sup>+0.000</sup> / <sub>-0.003</sub>	1.000 <sup>+0.005</sup> / <sub>+0.000</sub>	
DSU18-0.62-31	5/8	1	5/16	.343 <sup>+0.015</sup> / <sub>+0.000</sub>	.625 <sup>+0.000</sup> / <sub>-0.003</sub>	.626 <sup>+0.003</sup> / <sub>+0.000</sub>	1.000 <sup>+0.005</sup> / <sub>+0.000</sub>	.625 <sup>+0.000</sup> / <sub>-0.003</sub>	.999 <sup>+0.000</sup> / <sub>-0.003</sub>	1.000 <sup>+0.005</sup> / <sub>+0.000</sub>	
DSU18-0.75-18	3/4	1-1/8	3/16	.218 <sup>+0.015</sup> / <sub>+0.000</sub>	.750 <sup>+0.000</sup> / <sub>-0.003</sub>	.751 <sup>+0.003</sup> / <sub>+0.000</sub>	1.125 <sup>+0.005</sup> / <sub>+0.000</sub>	.750 <sup>+0.000</sup> / <sub>-0.003</sub>	1.124 <sup>+0.000</sup> / <sub>-0.003</sub>	1.125 <sup>+0.005</sup> / <sub>+0.000</sub>	
DSU18-0.75-25	3/4	1-1/8	1/4	.281 <sup>+0.015</sup> / <sub>+0.000</sub>	.750 <sup>+0.000</sup> / <sub>-0.003</sub>	.751 <sup>+0.003</sup> / <sub>+0.000</sub>	1.125 <sup>+0.005</sup> / <sub>+0.000</sub>	.750 <sup>+0.000</sup> / <sub>-0.003</sub>	1.124 <sup>+0.000</sup> / <sub>-0.003</sub>	1.125 <sup>+0.005</sup> / <sub>+0.000</sub>	
DSU18-0.87-25	7/8	1-1/4	1/4	.281 <sup>+0.015</sup> / <sub>+0.000</sub>	.875 <sup>+0.000</sup> / <sub>-0.003</sub>	.876 <sup>+0.003</sup> / <sub>+0.000</sub>	1.250 <sup>+0.005</sup> / <sub>+0.000</sub>	.875 <sup>+0.000</sup> / <sub>-0.003</sub>	1.249 <sup>+0.000</sup> / <sub>-0.003</sub>	1.250 <sup>+0.005</sup> / <sub>+0.000</sub>	
DSU18-1.00-18	1	1-3/8	3/16	.218 <sup>+0.015</sup> / <sub>+0.000</sub>	1.000 <sup>+0.000</sup> / <sub>-0.003</sub>	1.001 <sup>+0.003</sup> / <sub>+0.000</sub>	1.375 <sup>+0.005</sup> / <sub>+0.000</sub>	1.000 <sup>+0.000</sup> / <sub>-0.003</sub>	1.374 <sup>+0.000</sup> / <sub>-0.003</sub>	1.375 <sup>+0.005</sup> / <sub>+0.000</sub>	

U-SEALS



# STYLE DSU HEAVY DUTY SYMMETRICAL U-SEALS

Part Number	A Nom. ID	B Nom. OD	C Nom. Ht	D GROOVE WIDTH	E ROD DIAMETER	F THROAT DIAMETER	G HOUSING DIAMETER	H GROOVE DIAMETER	I PISTON DIAMETER	J BORE DIAMETER	
DSU18-1.00-25	1	1-3/8	1/4	.281 +.015 +0.000	1.000 +.000 -.003	1.001 +.003 +0.000	1.375 +.005 +0.000	1.000 +.000 -.003	1.374 +.000 -.003	1.375 +.005 +0.000	
DSU18-1.00-31	1	1-3/8	5/16	.343 +.015 +0.000	1.000 +.000 -.003	1.001 +.003 +0.000	1.375 +.005 +0.000	1.000 +.000 -.003	1.374 +.000 -.003	1.375 +.005 +0.000	
DSU18-1.12-18	1-1/8	1-1/2	3/16	.218 +.015 +0.000	1.125 +.000 -.003	1.126 +.003 +0.000	1.500 +.007 +0.000	1.125 +.000 -.003	1.499 +.000 -.003	1.500 +.007 +0.000	
DSU18-1.12-25	1-1/8	1-1/2	1/4	.281 +.015 +0.000	1.125 +.000 -.003	1.126 +.003 +0.000	1.500 +.007 +0.000	1.125 +.000 -.003	1.499 +.000 -.003	1.500 +.007 +0.000	
DSU18-1.12-31	1-1/8	1-1/2	5/16	.343 +.015 +0.000	1.125 +.000 -.003	1.126 +.003 +0.000	1.500 +.007 +0.000	1.125 +.000 -.003	1.499 +.000 -.003	1.500 +.007 +0.000	
DSU18-1.25-25	1-1/4	1-5/8	1/4	.281 +.015 +0.000	1.250 +.000 -.003	1.251 +.003 +0.000	1.625 +.007 +0.000	1.250 +.000 -.003	1.624 +.000 -.003	1.625 +.007 +0.000	
DSU18-1.25-31	1-1/4	1-5/8	5/16	.343 +.015 +0.000	1.250 +.000 -.003	1.251 +.003 +0.000	1.625 +.007 +0.000	1.250 +.000 -.003	1.624 +.000 -.003	1.625 +.007 +0.000	
DSU18-1.37-25	1-3/8	1-3/4	1/4	.281 +.015 +0.000	1.375 +.000 -.003	1.376 +.003 +0.000	1.750 +.007 +0.000	1.375 +.000 -.003	1.749 +.000 -.003	1.750 +.007 +0.000	
DSU18-1.37-31	1-3/8	1-3/4	5/16	.343 +.015 +0.000	1.375 +.000 -.003	1.376 +.003 +0.000	1.750 +.007 +0.000	1.375 +.000 -.003	1.749 +.000 -.003	1.750 +.007 +0.000	
DSU18-1.43-25	1-7/16	1-13/16	1/4	.281 +.015 +0.000	1.437 +.000 -.003	1.439 +.003 +0.000	1.813 +.007 +0.000	1.437 +.000 -.003	1.812 +.000 -.003	1.813 +.007 +0.000	
DSU18-1.50-18	1-1/2	1-7/8	3/16	.218 +.015 +0.000	1.500 +.000 -.003	1.501 +.003 +0.000	1.875 +.007 +0.000	1.500 +.000 -.003	1.874 +.000 -.003	1.875 +.007 +0.000	
DSU18-1.50-25	1-1/2	1-7/8	1/4	.281 +.015 +0.000	1.500 +.000 -.003	1.501 +.003 +0.000	1.875 +.007 +0.000	1.500 +.000 -.003	1.874 +.000 -.003	1.875 +.007 +0.000	
DSU18-1.50-31	1-1/2	1-7/8	5/16	.343 +.015 +0.000	1.500 +.000 -.003	1.501 +.003 +0.000	1.875 +.007 +0.000	1.500 +.000 -.003	1.874 +.000 -.003	1.875 +.007 +0.000	
DSU18-1.50-37	1-1/2	1-7/8	3/8	.406 +.015 +0.000	1.500 +.000 -.003	1.501 +.003 +0.000	1.875 +.007 +0.000	1.500 +.000 -.003	1.874 +.000 -.003	1.875 +.007 +0.000	
DSU18-1.62-25	1-5/8	2	1/4	.281 +.015 +0.000	1.625 +.000 -.003	1.626 +.003 +0.000	2.000 +.008 +0.000	1.625 +.000 -.003	1.999 +.000 -.004	2.000 +.008 +0.000	
DSU18-1.62-31	1-5/8	2	5/16	.343 +.015 +0.000	1.625 +.000 -.003	1.626 +.003 +0.000	2.000 +.008 +0.000	1.625 +.000 -.003	1.999 +.000 -.004	2.000 +.008 +0.000	
DSU18-1.62-37	1-5/8	2	3/8	.406 +.015 +0.000	1.625 +.000 -.003	1.626 +.003 +0.000	2.000 +.008 +0.000	1.625 +.000 -.003	1.999 +.000 -.004	2.000 +.008 +0.000	
DSU18-1.75-25	1-3/4	2-1/8	1/4	.281 +.015 +0.000	1.750 +.000 -.003	1.751 +.003 +0.000	2.125 +.008 +0.000	1.750 +.000 -.003	2.124 +.000 -.004	2.125 +.008 +0.000	
DSU18-1.75-37	1-3/4	2-1/8	3/8	.406 +.015 +0.000	1.750 +.000 -.003	1.751 +.003 +0.000	2.125 +.008 +0.000	1.750 +.000 -.003	2.124 +.000 -.004	2.125 +.008 +0.000	
DSU18-1.87-37	1-7/8	2-1/4	3/8	.406 +.015 +0.000	1.875 +.000 -.003	1.876 +.003 +0.000	2.250 +.008 +0.000	1.875 +.000 -.003	2.249 +.000 -.004	2.250 +.008 +0.000	
DSU18-2.00-25	2	2-3/8	1/4	.281 +.015 +0.000	2.000 +.000 -.003	2.001 +.004 +0.000	2.375 +.008 +0.000	2.000 +.000 -.003	2.374 +.000 -.004	2.375 +.008 +0.000	
DSU18-2.00-31	2	2-3/8	5/16	.343 +.015 +0.000	2.000 +.000 -.003	2.001 +.004 +0.000	2.375 +.008 +0.000	2.000 +.000 -.003	2.374 +.000 -.004	2.375 +.008 +0.000	
DSU18-2.00-37	2	2-3/8	3/8	.406 +.015 +0.000	2.000 +.000 -.003	2.001 +.004 +0.000	2.375 +.008 +0.000	2.000 +.000 -.003	2.374 +.000 -.004	2.375 +.008 +0.000	
DSU18-2.12-25	2-1/8	2-1/2	1/4	.281 +.015 +0.000	2.125 +.000 -.003	2.126 +.004 +0.000	2.500 +.008 +0.000	2.125 +.000 -.003	2.499 +.000 -.004	2.500 +.008 +0.000	
DSU18-2.12-31	2-1/8	2-1/2	5/16	.343 +.015 +0.000	2.125 +.000 -.003	2.126 +.004 +0.000	2.500 +.008 +0.000	2.125 +.000 -.003	2.499 +.000 -.004	2.500 +.008 +0.000	
DSU18-2.12-37	2-1/8	2-1/2	3/8	.406 +.015 +0.000	2.125 +.000 -.003	2.126 +.004 +0.000	2.500 +.008 +0.000	2.125 +.000 -.003	2.499 +.000 -.004	2.500 +.008 +0.000	
DSU18-2.25-31	2-1/4	2-5/8	5/16	.343 +.015 +0.000	2.250 +.000 -.003	2.251 +.004 +0.000	2.625 +.008 +0.000	2.250 +.000 -.003	2.624 +.000 -.004	2.625 +.008 +0.000	
DSU18-2.25-37	2-1/4	2-5/8	3/8	.406 +.015 +0.000	2.250 +.000 -.003	2.251 +.004 +0.000	2.625 +.008 +0.000	2.250 +.000 -.003	2.624 +.000 -.004	2.625 +.008 +0.000	
DSU18-2.37-37	2-3/8	2-3/4	3/8	.406 +.015 +0.000	2.375 +.000 -.003	2.376 +.004 +0.000	2.750 +.008 +0.000	2.375 +.000 -.003	2.749 +.000 -.004	2.750 +.008 +0.000	
DSU18-2.50-25	2-1/2	2-7/8	1/4	.281 +.015 +0.000	2.500 +.000 -.003	2.501 +.004 +0.000	2.875 +.008 +0.000	2.500 +.000 -.003	2.874 +.000 -.004	2.875 +.008 +0.000	
DSU18-2.50-37	2-1/2	2-7/8	3/8	.406 +.015 +0.000	2.500 +.000 -.003	2.501 +.004 +0.000	2.875 +.008 +0.000	2.500 +.000 -.003	2.874 +.000 -.004	2.875 +.008 +0.000	
DSU18-2.62-25	2-5/8	3	1/4	.281 +.015 +0.000	2.625 +.000 -.003	2.626 +.004 +0.000	3.000 +.008 +0.000	2.625 +.000 -.003	2.999 +.000 -.004	3.000 +.008 +0.000	
DSU18-2.62-37	2-5/8	3	3/8	.406 +.015 +0.000	2.625 +.000 -.003	2.626 +.004 +0.000	3.000 +.008 +0.000	2.625 +.000 -.003	2.999 +.000 -.004	3.000 +.008 +0.000	

U-SEALS



# STYLE DSU HEAVY DUTY SYMMETRICAL U-SEALS

Part Number	A Nom. ID	B Nom. OD	C Nom. Ht	D GROOVE WIDTH	E ROD DIAMETER	F THROAT DIAMETER	G HOUSING DIAMETER	H GROOVE DIAMETER	I PISTON DIAMETER	J BORE DIAMETER	
DSU18-2.87-25	2-7/8	3-1/4	1/4	.281 +.015 +0.000	2.875 +.000 -.003	2.876 +.004 +0.000	3.250 +.009 +0.000	2.875 +.000 -.003	3.249 +.000 -.004	3.250 +.009 +0.000	
DSU18-2.87-37	2-7/8	3-1/4	3/8	.406 +.015 +0.000	2.875 +.000 -.003	2.876 +.004 +0.000	3.250 +.009 +0.000	2.875 +.000 -.003	3.249 +.000 -.004	3.250 +.009 +0.000	
DSU18-3.00-37	3	3-3/8	3/8	.406 +.015 +0.000	3.000 +.000 -.004	3.001 +.004 +0.000	3.375 +.009 +0.000	3.000 +.000 -.004	3.374 +.000 -.004	3.375 +.009 +0.000	
DSU18-3.12-37	3-1/8	3-1/2	3/8	.406 +.015 +0.000	3.125 +.000 -.004	3.126 +.004 +0.000	3.500 +.009 +0.000	3.125 +.000 -.004	3.499 +.000 -.004	3.500 +.009 +0.000	
DSU18-3.25-37	3-1/4	3-5/8	3/8	.406 +.015 +0.000	3.250 +.000 -.004	3.251 +.004 +0.000	3.625 +.009 +0.000	3.250 +.000 -.004	3.624 +.000 -.004	3.625 +.009 +0.000	
DSU18-3.37-37	3-3/8	3-3/4	3/8	.406 +.015 +0.000	3.375 +.000 -.004	3.376 +.004 +0.000	3.750 +.009 +0.000	3.375 +.000 -.004	3.749 +.000 -.004	3.750 +.009 +0.000	
DSU18-3.50-37	3-1/2	3-7/8	3/8	.406 +.015 +0.000	3.500 +.000 -.004	3.501 +.004 +0.000	3.875 +.009 +0.000	3.500 +.000 -.004	3.874 +.000 -.004	3.875 +.009 +0.000	
DSU18-3.62-25	3-5/8	4	1/4	.281 +.015 +0.000	3.625 +.000 -.004	3.626 +.004 +0.000	4.000 +.009 +0.000	3.625 +.000 -.004	3.999 +.000 -.004	4.000 +.009 +0.000	
DSU18-3.62-37	3-5/8	4	3/8	.406 +.015 +0.000	3.625 +.000 -.004	3.626 +.004 +0.000	4.000 +.009 +0.000	3.625 +.000 -.004	3.999 +.000 -.004	4.000 +.009 +0.000	
DSU18-3.75-37	3-3/4	4-1/8	3/8	.406 +.015 +0.000	3.750 +.000 -.004	3.751 +.004 +0.000	4.125 +.009 +0.000	3.750 +.000 -.004	4.124 +.000 -.004	4.125 +.009 +0.000	
DSU18-4.00-37	4	4-3/8	3/8	.406 +.015 +0.000	4.000 +.000 -.004	4.001 +.004 +0.000	4.375 +.009 +0.000	4.000 +.000 -.004	4.374 +.000 -.004	4.375 +.009 +0.000	
DSU18-4.37-37	4-3/8	4-3/4	3/8	.406 +.015 +0.000	4.375 +.000 -.004	4.376 +.004 +0.000	4.750 +.009 +0.000	4.375 +.000 -.004	4.749 +.000 -.004	4.750 +.009 +0.000	
<b>1/4" C/S</b>											
DSU25-0.50-25	1/2	1	1/4	.281 +.015 +0.000	.500 +.000 -.003	.501 +.003 +0.000	1.000 +.005 +0.000	.500 +.000 -.003	.999 +.000 -.003	1.000 +.005 +0.000	
DSU25-0.50-37	1/2	1	3/8	.406 +.015 +0.000	.500 +.000 -.003	.501 +.003 +0.000	1.000 +.005 +0.000	.500 +.000 -.003	.999 +.000 -.003	1.000 +.005 +0.000	
DSU25-0.62-25	5/8	1-1/8	1/4	.281 +.015 +0.000	.625 +.000 -.003	.626 +.003 +0.000	1.125 +.005 +0.000	.625 +.000 -.003	1.124 +.000 -.003	1.125 +.005 +0.000	
DSU25-0.62-37	5/8	1-1/8	3/8	.406 +.015 +0.000	.625 +.000 -.003	.626 +.003 +0.000	1.125 +.005 +0.000	.625 +.000 -.003	1.124 +.000 -.003	1.125 +.005 +0.000	
DSU25-0.68-37	11/16	1-3/16	3/8	.406 +.015 +0.000	.687 +.000 -.003	.689 +.003 +0.000	1.188 +.005 +0.000	.687 +.000 -.003	1.187 +.000 -.003	1.188 +.005 +0.000	
DSU25-0.75-25	3/4	1-1/4	1/4	.281 +.015 +0.000	.750 +.000 -.003	.751 +.003 +0.000	1.250 +.005 +0.000	.750 +.000 -.003	1.249 +.000 -.003	1.250 +.005 +0.000	
DSU25-0.75-37	3/4	1-1/4	3/8	.406 +.015 +0.000	.750 +.000 -.003	.751 +.003 +0.000	1.250 +.005 +0.000	.750 +.000 -.003	1.249 +.000 -.003	1.250 +.005 +0.000	
DSU25-0.87-25	7/8	1-3/8	1/4	.281 +.015 +0.000	.875 +.000 -.003	.876 +.003 +0.000	1.375 +.005 +0.000	.875 +.000 -.003	1.374 +.000 -.003	1.375 +.005 +0.000	
DSU25-0.87-37	7/8	1-3/8	3/8	.406 +.015 +0.000	.875 +.000 -.003	.876 +.003 +0.000	1.375 +.005 +0.000	.875 +.000 -.003	1.374 +.000 -.003	1.375 +.005 +0.000	
DSU25-0.93-25	15/16	1-7/16	1/4	.281 +.015 +0.000	.937 +.000 -.003	.939 +.003 +0.000	1.438 +.005 +0.000	.937 +.000 -.003	1.437 +.000 -.003	1.438 +.005 +0.000	
DSU25-1.00-25	1	1-1/2	1/4	.281 +.015 +0.000	1.000 +.000 -.003	1.001 +.003 +0.000	1.500 +.007 +0.000	1.000 +.000 -.003	1.499 +.000 -.003	1.500 +.007 +0.000	
DSU25-1.00-31	1	1-1/2	5/16	.343 +.015 +0.000	1.000 +.000 -.003	1.001 +.003 +0.000	1.500 +.007 +0.000	1.000 +.000 -.003	1.499 +.000 -.003	1.500 +.007 +0.000	
DSU25-1.00-37	1	1-1/2	3/8	.406 +.015 +0.000	1.000 +.000 -.003	1.001 +.003 +0.000	1.500 +.007 +0.000	1.000 +.000 -.003	1.499 +.000 -.003	1.500 +.007 +0.000	
DSU25-1.12-31	1-1/8	1-5/8	5/16	.343 +.015 +0.000	1.125 +.000 -.003	1.126 +.003 +0.000	1.625 +.007 +0.000	1.125 +.000 -.003	1.624 +.000 -.003	1.625 +.007 +0.000	
DSU25-1.12-37	1-1/8	1-5/8	3/8	.406 +.015 +0.000	1.125 +.000 -.003	1.126 +.003 +0.000	1.625 +.007 +0.000	1.125 +.000 -.003	1.624 +.000 -.003	1.625 +.007 +0.000	
DSU25-1.18-25	1-3/16	1-11/16	1/4	.281 +.015 +0.000	1.187 +.000 -.003	1.189 +.003 +0.000	1.688 +.007 +0.000	1.187 +.000 -.003	1.687 +.000 -.003	1.688 +.007 +0.000	
DSU25-1.25-25	1-1/4	1-3/4	1/4	.281 +.015 +0.000	1.250 +.000 -.003	1.251 +.003 +0.000	1.750 +.007 +0.000	1.250 +.000 -.003	1.749 +.000 -.003	1.750 +.007 +0.000	
DSU25-1.25-31	1-1/4	1-3/4	5/16	.343 +.015 +0.000	1.250 +.000 -.003	1.251 +.003 +0.000	1.750 +.007 +0.000	1.250 +.000 -.003	1.749 +.000 -.003	1.750 +.007 +0.000	
DSU25-1.25-37	1-1/4	1-3/4	3/8	.406 +.015 +0.000	1.250 +.000 -.003	1.251 +.003 +0.000	1.750 +.007 +0.000	1.250 +.000 -.003	1.749 +.000 -.003	1.750 +.007 +0.000	
DSU25-1.37-25	1-3/8	1-7/8	1/4	.281 +.015 +0.000	1.375 +.000 -.003	1.376 +.003 +0.000	1.875 +.007 +0.000	1.375 +.000 -.003	1.874 +.000 -.003	1.875 +.007 +0.000	

U-SEALS



# STYLE DSU HEAVY DUTY SYMMETRICAL U-SEALS

Part Number	A Nom. ID	B Nom. OD	C Nom. Ht	D GROOVE WIDTH	E ROD DIAMETER	F THROAT DIAMETER	G HOUSING DIAMETER	H GROOVE DIAMETER	I PISTON DIAMETER	J BORE DIAMETER
DSU25-1.37-37	1-3/8	1-7/8	3/8	.406 +.015 +0.000	1.375 +.000 -0.003	1.376 +.003 +0.000	1.875 +.007 +0.000	1.375 +.000 -0.003	1.874 +.000 -0.003	1.875 +.007 +0.000
DSU25-1.50-25	1-1/2	2	1/4	.281 +.015 +0.000	1.500 +.000 -0.003	1.501 +.003 +0.000	2.000 +.008 +0.000	1.500 +.000 -0.003	1.999 +.000 -0.004	2.000 +.008 +0.000
DSU25-1.50-31	1-1/2	2	5/16	.343 +.015 +0.000	1.500 +.000 -0.003	1.501 +.003 +0.000	2.000 +.008 +0.000	1.500 +.000 -0.003	1.999 +.000 -0.004	2.000 +.008 +0.000
DSU25-1.50-37	1-1/2	2	3/8	.406 +.015 +0.000	1.500 +.000 -0.003	1.501 +.003 +0.000	2.000 +.008 +0.000	1.500 +.000 -0.003	1.999 +.000 -0.004	2.000 +.008 +0.000
DSU25-1.75-25	1-3/4	2-1/4	1/4	.281 +.015 +0.000	1.750 +.000 -0.003	1.751 +.003 +0.000	2.250 +.008 +0.000	1.750 +.000 -0.003	2.249 +.000 -0.004	2.250 +.008 +0.000
DSU25-1.75-31	1-3/4	2-1/4	5/16	.343 +.015 +0.000	1.750 +.000 -0.003	1.751 +.003 +0.000	2.250 +.008 +0.000	1.750 +.000 -0.003	2.249 +.000 -0.004	2.250 +.008 +0.000
DSU25-1.75-37	1-3/4	2-1/4	3/8	.406 +.015 +0.000	1.750 +.000 -0.003	1.751 +.003 +0.000	2.250 +.008 +0.000	1.750 +.000 -0.003	2.249 +.000 -0.004	2.250 +.008 +0.000
DSU25-2.00-25	2	2-1/2	1/4	.281 +.015 +0.000	2.000 +.000 -0.003	2.001 +.004 +0.000	2.500 +.008 +0.000	2.000 +.000 -0.003	2.499 +.000 -0.004	2.500 +.008 +0.000
DSU25-2.00-37	2	2-1/2	3/8	.406 +.015 +0.000	2.000 +.000 -0.003	2.001 +.004 +0.000	2.500 +.008 +0.000	2.000 +.000 -0.003	2.499 +.000 -0.004	2.500 +.008 +0.000
DSU25-2.12-37	2-1/8	2-5/8	3/8	.406 +.015 +0.000	2.125 +.000 -0.003	2.126 +.004 +0.000	2.625 +.008 +0.000	2.125 +.000 -0.003	2.624 +.000 -0.004	2.625 +.008 +0.000
DSU25-2.25-31	2-1/4	2-3/4	5/16	.343 +.015 +0.000	2.250 +.000 -0.003	2.251 +.004 +0.000	2.750 +.008 +0.000	2.250 +.000 -0.003	2.749 +.000 -0.004	2.750 +.008 +0.000
DSU25-2.25-37	2-1/4	2-3/4	3/8	.406 +.015 +0.000	2.250 +.000 -0.003	2.251 +.004 +0.000	2.750 +.008 +0.000	2.250 +.000 -0.003	2.749 +.000 -0.004	2.750 +.008 +0.000
DSU25-2.37-37	2-3/8	2-7/8	3/8	.406 +.015 +0.000	2.375 +.000 -0.003	2.376 +.004 +0.000	2.875 +.008 +0.000	2.375 +.000 -0.003	2.874 +.000 -0.004	2.875 +.008 +0.000
DSU25-2.50-25	2-1/2	3	1/4	.281 +.015 +0.000	2.500 +.000 -0.003	2.501 +.004 +0.000	3.000 +.008 +0.000	2.500 +.000 -0.003	2.999 +.000 -0.004	3.000 +.008 +0.000
DSU25-2.50-31	2-1/2	3	5/16	.343 +.015 +0.000	2.500 +.000 -0.003	2.501 +.004 +0.000	3.000 +.008 +0.000	2.500 +.000 -0.003	2.999 +.000 -0.004	3.000 +.008 +0.000
DSU25-2.50-37	2-1/2	3	3/8	.406 +.015 +0.000	2.500 +.000 -0.003	2.501 +.004 +0.000	3.000 +.008 +0.000	2.500 +.000 -0.003	2.999 +.000 -0.004	3.000 +.008 +0.000
DSU25-2.62-37	2-5/8	3-1/8	3/8	.406 +.015 +0.000	2.625 +.000 -0.003	2.626 +.004 +0.000	3.125 +.008 +0.000	2.625 +.000 -0.003	3.124 +.000 -0.004	3.125 +.008 +0.000
DSU25-2.75-37	2-3/4	3-1/4	3/8	.406 +.015 +0.000	2.750 +.000 -0.003	2.751 +.004 +0.000	3.250 +.009 +0.000	2.750 +.000 -0.003	3.249 +.000 -0.004	3.250 +.009 +0.000
DSU25-2.87-37	2-7/8	3-3/8	3/8	.406 +.015 +0.000	2.875 +.000 -0.003	2.876 +.004 +0.000	3.375 +.009 +0.000	2.875 +.000 -0.003	3.374 +.000 -0.004	3.375 +.009 +0.000
DSU25-3.00-25	3	3-1/2	1/4	.281 +.015 +0.000	3.000 +.000 -0.004	3.001 +.004 +0.000	3.500 +.009 +0.000	3.000 +.000 -0.004	3.499 +.000 -0.004	3.500 +.009 +0.000
DSU25-3.00-37	3	3-1/2	3/8	.406 +.015 +0.000	3.000 +.000 -0.004	3.001 +.004 +0.000	3.500 +.009 +0.000	3.000 +.000 -0.004	3.499 +.000 -0.004	3.500 +.009 +0.000
DSU25-3.25-37	3-1/4	3-3/4	3/8	.406 +.015 +0.000	3.250 +.000 -0.004	3.251 +.004 +0.000	3.750 +.009 +0.000	3.250 +.000 -0.004	3.749 +.000 -0.004	3.750 +.009 +0.000
DSU25-3.37-37	3-3/8	3-7/8	3/8	.406 +.015 +0.000	3.375 +.000 -0.004	3.376 +.004 +0.000	3.875 +.009 +0.000	3.375 +.000 -0.004	3.874 +.000 -0.004	3.875 +.009 +0.000
DSU25-3.50-25	3-1/2	4	1/4	.281 +.015 +0.000	3.500 +.000 -0.004	3.501 +.004 +0.000	4.000 +.009 +0.000	3.500 +.000 -0.004	3.999 +.000 -0.004	4.000 +.009 +0.000
DSU25-3.50-37	3-1/2	4	3/8	.406 +.015 +0.000	3.500 +.000 -0.004	3.501 +.004 +0.000	4.000 +.009 +0.000	3.500 +.000 -0.004	3.999 +.000 -0.004	4.000 +.009 +0.000
DSU25-3.62-37	3-5/8	4-1/8	3/8	.406 +.015 +0.000	3.625 +.000 -0.004	3.626 +.004 +0.000	4.125 +.009 +0.000	3.625 +.000 -0.004	4.124 +.000 -0.004	4.125 +.009 +0.000
DSU25-3.75-37	3-3/4	4-1/4	3/8	.406 +.015 +0.000	3.750 +.000 -0.004	3.751 +.004 +0.000	4.250 +.009 +0.000	3.750 +.000 -0.004	4.249 +.000 -0.004	4.250 +.009 +0.000
DSU25-4.00-56	4	4-1/2	9/16	.594 +.015 +0.000	4.000 +.000 -0.004	4.001 +.004 +0.000	4.500 +.009 +0.000	4.000 +.000 -0.004	4.499 +.000 -0.004	4.500 +.009 +0.000
DSU25-4.12-56	4-1/8	4-5/8	9/16	.594 +.015 +0.000	4.125 +.000 -0.004	4.126 +.004 +0.000	4.625 +.009 +0.000	4.125 +.000 -0.004	4.624 +.000 -0.004	4.625 +.009 +0.000
DSU25-4.25-37	4-1/4	4-3/4	3/8	.406 +.015 +0.000	4.250 +.000 -0.004	4.251 +.004 +0.000	4.750 +.009 +0.000	4.250 +.000 -0.004	4.749 +.000 -0.004	4.750 +.009 +0.000
DSU25-4.50-37	4-1/2	5	3/8	.406 +.015 +0.000	4.500 +.000 -0.004	4.501 +.004 +0.000	5.000 +.010 +0.000	4.500 +.000 -0.004	4.999 +.000 -0.004	5.000 +.010 +0.000
DSU25-4.50-50	4-1/2	5	1/2	.531 +.015 +0.000	4.500 +.000 -0.004	4.501 +.004 +0.000	5.000 +.010 +0.000	4.500 +.000 -0.004	4.999 +.000 -0.004	5.000 +.010 +0.000
DSU25-4.50-56	4-1/2	5	9/16	.594 +.015 +0.000	4.500 +.000 -0.004	4.501 +.004 +0.000	5.000 +.010 +0.000	4.500 +.000 -0.004	4.999 +.000 -0.004	5.000 +.010 +0.000

U-SEALS



# STYLE DSU HEAVY DUTY SYMMETRICAL U-SEALS

Part Number	A Nom. ID	B Nom. OD	C Nom. Ht	D GROOVE WIDTH	E ROD DIAMETER	F THROAT DIAMETER	G HOUSING DIAMETER	H GROOVE DIAMETER	I PISTON DIAMETER	J BORE DIAMETER	
DSU25-4.75-37	4-3/4	5-1/4	3/8	.406 +.015 +0.000	4.750 +.000 -.004	4.751 +.004 +0.000	5.250 +.010 +0.000	4.750 +.000 -.004	5.249 +.000 -.004	5.250 +.010 +0.000	
DSU25-4.75-56	4-3/4	5-1/4	9/16	.594 +.015 +0.000	4.750 +.000 -.004	4.751 +.004 +0.000	5.250 +.010 +0.000	4.750 +.000 -.004	5.249 +.000 -.004	5.250 +.010 +0.000	
DSU25-5.25-56	5-1/4	5-3/4	9/16	.594 +.015 +0.000	5.250 +.000 -.004	5.251 +.004 +0.000	5.750 +.010 +0.000	5.250 +.000 -.004	5.749 +.000 -.004	5.750 +.010 +0.000	
DSU25-5.37-37	5-3/8	5-7/8	3/8	.406 +.015 +0.000	5.375 +.000 -.004	5.376 +.004 +0.000	5.875 +.010 +0.000	5.375 +.000 -.004	5.874 +.000 -.004	5.875 +.010 +0.000	
DSU25-5.62-37	5-5/8	6-1/8	3/8	.406 +.015 +0.000	5.625 +.000 -.004	5.626 +.004 +0.000	6.125 +.010 +0.000	5.625 +.000 -.004	6.124 +.000 -.004	6.125 +.010 +0.000	
DSU25-6.00-37	6	6-1/2	3/8	.406 +.015 +0.000	6.000 +.000 -.004	6.001 +.004 +0.000	6.500 +.010 +0.000	6.000 +.000 -.004	6.499 +.000 -.004	6.500 +.010 +0.000	
DSU25-6.00-56	6	6-1/2	9/16	.594 +.015 +0.000	6.000 +.000 -.004	6.001 +.004 +0.000	6.500 +.010 +0.000	6.000 +.000 -.004	6.499 +.000 -.004	6.500 +.010 +0.000	
DSU25-6.25-50	6-1/4	6-3/4	1/2	.531 +.015 +0.000	6.250 +.000 -.004	6.251 +.004 +0.000	6.750 +.010 +0.000	6.250 +.000 -.004	6.749 +.000 -.004	6.750 +.010 +0.000	
DSU25-6.50-37	6-1/2	7	3/8	.406 +.015 +0.000	6.500 +.000 -.004	6.501 +.004 +0.000	7.000 +.011 +0.000	6.500 +.000 -.004	6.999 +.000 -.004	7.000 +.011 +0.000	
DSU25-6.50-50	6-1/2	7	1/2	.531 +.015 +0.000	6.500 +.000 -.004	6.501 +.004 +0.000	7.000 +.011 +0.000	6.500 +.000 -.004	6.999 +.000 -.004	7.000 +.011 +0.000	
DSU25-7.00-56	7	7-1/2	9/16	.594 +.015 +0.000	7.000 +.000 -.005	7.001 +.004 +0.000	7.500 +.011 +0.000	7.000 +.000 -.005	7.499 +.000 -.004	7.500 +.011 +0.000	
DSU25-8.50-37	8-1/2	9	3/8	.406 +.015 +0.000	8.500 +.000 -.005	8.501 +.004 +0.000	9.000 +.012 +0.000	8.500 +.000 -.005	8.999 +.000 -.004	9.000 +.012 +0.000	
<b>5/16" C/S</b>											
DSU31-1.25-37	1-1/4	1-7/8	3/8	.406 +.015 +0.000	1.250 +.000 -.003	1.251 +.003 +0.000	1.875 +.007 +0.000	1.250 +.000 -.003	1.874 +.000 -.003	1.875 +.007 +0.000	
DSU31-1.25-50	1-1/4	1-7/8	1/2	.531 +.015 +0.000	1.250 +.000 -.003	1.251 +.003 +0.000	1.875 +.007 +0.000	1.250 +.000 -.003	1.874 +.000 -.003	1.875 +.007 +0.000	
DSU31-1.37-31	1-3/8	2	5/16	.343 +.015 +0.000	1.375 +.000 -.003	1.376 +.003 +0.000	2.000 +.008 +0.000	1.375 +.000 -.003	1.999 +.000 -.003	2.000 +.008 +0.000	
DSU31-1.37-37	1-3/8	2	3/8	.406 +.015 +0.000	1.375 +.000 -.003	1.376 +.003 +0.000	2.000 +.008 +0.000	1.375 +.000 -.003	1.999 +.000 -.003	2.000 +.008 +0.000	
DSU31-1.50-37	1-1/2	2-1/8	3/8	.406 +.015 +0.000	1.500 +.000 -.003	1.501 +.003 +0.000	2.125 +.008 +0.000	1.500 +.000 -.003	2.124 +.000 -.004	2.125 +.008 +0.000	
DSU31-1.62-37	1-5/8	2-1/4	3/8	.406 +.015 +0.000	1.625 +.000 -.003	1.626 +.003 +0.000	2.250 +.008 +0.000	1.625 +.000 -.003	2.249 +.000 -.004	2.250 +.008 +0.000	
DSU31-1.75-37	1-3/4	2-3/8	3/8	.406 +.015 +0.000	1.750 +.000 -.003	1.751 +.003 +0.000	2.375 +.008 +0.000	1.750 +.000 -.003	2.374 +.000 -.004	2.375 +.008 +0.000	
DSU31-1.75-50	1-3/4	2-3/8	1/2	.531 +.015 +0.000	1.750 +.000 -.003	1.751 +.003 +0.000	2.375 +.008 +0.000	1.750 +.000 -.003	2.374 +.000 -.004	2.375 +.008 +0.000	
DSU31-1.87-37	1-7/8	2-1/2	3/8	.406 +.015 +0.000	1.875 +.000 -.003	1.876 +.003 +0.000	2.500 +.008 +0.000	1.875 +.000 -.003	2.499 +.000 -.004	2.500 +.008 +0.000	
DSU31-1.87-50	1-7/8	2-1/2	1/2	.531 +.015 +0.000	1.875 +.000 -.003	1.876 +.003 +0.000	2.500 +.008 +0.000	1.875 +.000 -.003	2.499 +.000 -.004	2.500 +.008 +0.000	
DSU31-2.00-25	2	2-5/8	1/4	.281 +.015 +0.000	2.000 +.000 -.003	2.001 +.004 +0.000	2.625 +.008 +0.000	2.000 +.000 -.003	2.624 +.000 -.004	2.625 +.008 +0.000	
DSU31-2.00-31	2	2-5/8	5/16	.343 +.015 +0.000	2.000 +.000 -.003	2.001 +.004 +0.000	2.625 +.008 +0.000	2.000 +.000 -.003	2.624 +.000 -.004	2.625 +.008 +0.000	
DSU31-2.00-37	2	2-5/8	3/8	.406 +.015 +0.000	2.000 +.000 -.003	2.001 +.004 +0.000	2.625 +.008 +0.000	2.000 +.000 -.003	2.624 +.000 -.004	2.625 +.008 +0.000	
DSU31-2.12-37	2-1/8	2-3/4	3/8	.406 +.015 +0.000	2.125 +.000 -.003	2.126 +.004 +0.000	2.750 +.008 +0.000	2.125 +.000 -.003	2.749 +.000 -.004	2.750 +.008 +0.000	
DSU31-2.25-25	2-1/4	2-7/8	1/4	.281 +.015 +0.000	2.250 +.000 -.003	2.251 +.004 +0.000	2.875 +.008 +0.000	2.250 +.000 -.003	2.874 +.000 -.004	2.875 +.008 +0.000	
DSU31-2.25-37	2-1/4	2-7/8	3/8	.406 +.015 +0.000	2.250 +.000 -.003	2.251 +.004 +0.000	2.875 +.008 +0.000	2.250 +.000 -.003	2.874 +.000 -.004	2.875 +.008 +0.000	
DSU31-2.25-50	2-1/4	2-7/8	1/2	.531 +.015 +0.000	2.250 +.000 -.003	2.251 +.004 +0.000	2.875 +.008 +0.000	2.250 +.000 -.003	2.874 +.000 -.004	2.875 +.008 +0.000	
DSU31-2.37-37	2-3/8	3	3/8	.406 +.015 +0.000	2.375 +.000 -.003	2.376 +.004 +0.000	3.000 +.008 +0.000	2.375 +.000 -.003	2.999 +.000 -.004	3.000 +.008 +0.000	
DSU31-2.37-50	2-3/8	3	1/2	.531 +.015 +0.000	2.375 +.000 -.003	2.376 +.004 +0.000	3.000 +.008 +0.000	2.375 +.000 -.003	2.999 +.000 -.004	3.000 +.008 +0.000	
DSU31-2.50-37	2-1/2	3-1/8	3/8	.406 +.015 +0.000	2.500 +.000 -.003	2.501 +.004 +0.000	3.125 +.008 +0.000	2.500 +.000 -.003	3.124 +.000 -.004	3.125 +.008 +0.000	

U-SEALS



# STYLE DSU HEAVY DUTY SYMMETRICAL U-SEALS

Part Number	A Nom. ID	B Nom. OD	C Nom. Ht	D GROOVE WIDTH	E ROD DIAMETER	F THROAT DIAMETER	G HOUSING DIAMETER	H GROOVE DIAMETER	I PISTON DIAMETER	J BORE DIAMETER
DSU31-2.50-50	2-1/2	3-1/8	1/2	.531 +.015 +0.000	2.500 +.000 -.003	2.501 +.004 +0.000	3.125 +.008 +0.000	2.500 +.000 -.003	3.124 +.000 -.004	3.125 +.008 +0.000
DSU31-2.62-37	2-5/8	3-1/4	3/8	.406 +.015 +0.000	2.625 +.000 -.003	2.626 +.004 +0.000	3.250 +.009 +0.000	2.625 +.000 -.003	3.249 +.000 -.004	3.250 +.009 +0.000
DSU31-2.62-50	2-5/8	3-1/4	1/2	.531 +.015 +0.000	2.625 +.000 -.003	2.626 +.004 +0.000	3.250 +.009 +0.000	2.625 +.000 -.003	3.249 +.000 -.004	3.250 +.009 +0.000
DSU31-2.87-37	2-7/8	3-1/2	3/8	.406 +.015 +0.000	2.875 +.000 -.003	2.876 +.004 +0.000	3.500 +.009 +0.000	2.875 +.000 -.003	3.499 +.000 -.004	3.500 +.009 +0.000
DSU31-2.87-50	2-7/8	3-1/2	1/2	.531 +.015 +0.000	2.875 +.000 -.003	2.876 +.004 +0.000	3.500 +.009 +0.000	2.875 +.000 -.003	3.499 +.000 -.004	3.500 +.009 +0.000
DSU31-3.00-37	3	3-5/8	3/8	.406 +.015 +0.000	3.000 +.000 -.004	3.001 +.004 +0.000	3.625 +.009 +0.000	3.000 +.000 -.004	3.624 +.000 -.004	3.625 +.009 +0.000
DSU31-3.00-50	3	3-5/8	1/2	.531 +.015 +0.000	3.000 +.000 -.004	3.001 +.004 +0.000	3.625 +.009 +0.000	3.000 +.000 -.004	3.624 +.000 -.004	3.625 +.009 +0.000
DSU31-3.12-37	3-1/8	3-3/4	3/8	.406 +.015 +0.000	3.125 +.000 -.004	3.126 +.004 +0.000	3.750 +.009 +0.000	3.125 +.000 -.004	3.749 +.000 -.004	3.750 +.009 +0.000
DSU31-3.12-50	3-1/8	3-3/4	1/2	.531 +.015 +0.000	3.125 +.000 -.004	3.126 +.004 +0.000	3.750 +.009 +0.000	3.125 +.000 -.004	3.749 +.000 -.004	3.750 +.009 +0.000
DSU31-3.50-37	3-1/2	4-1/8	3/8	.406 +.015 +0.000	3.500 +.000 -.004	3.501 +.004 +0.000	4.125 +.009 +0.000	3.500 +.000 -.004	4.124 +.000 -.004	4.125 +.009 +0.000
DSU31-3.50-50	3-1/2	4-1/8	1/2	.531 +.015 +0.000	3.500 +.000 -.004	3.501 +.004 +0.000	4.125 +.009 +0.000	3.500 +.000 -.004	4.124 +.000 -.004	4.125 +.009 +0.000
DSU31-3.62-37	3-5/8	4-1/4	3/8	.406 +.015 +0.000	3.625 +.000 -.004	3.626 +.004 +0.000	4.250 +.009 +0.000	3.625 +.000 -.004	4.249 +.000 -.004	4.250 +.009 +0.000
DSU31-3.87-37	3-7/8	4-1/2	3/8	.406 +.015 +0.000	3.875 +.000 -.004	3.876 +.004 +0.000	4.500 +.009 +0.000	3.875 +.000 -.004	4.499 +.000 -.004	4.500 +.009 +0.000
DSU31-3.87-50	3-7/8	4-1/2	1/2	.531 +.015 +0.000	3.875 +.000 -.004	3.876 +.004 +0.000	4.500 +.009 +0.000	3.875 +.000 -.004	4.499 +.000 -.004	4.500 +.009 +0.000
DSU31-4.00-37	4	4-5/8	3/8	.406 +.015 +0.000	4.000 +.000 -.004	4.001 +.004 +0.000	4.625 +.009 +0.000	4.000 +.000 -.004	4.624 +.000 -.004	4.625 +.009 +0.000
DSU31-4.12-50	4-1/8	4-3/4	1/2	.531 +.015 +0.000	4.125 +.000 -.004	4.126 +.004 +0.000	4.750 +.009 +0.000	4.125 +.000 -.004	4.749 +.000 -.004	4.750 +.009 +0.000
DSU31-4.37-37	4-3/8	5	3/8	.406 +.015 +0.000	4.375 +.000 -.004	4.376 +.004 +0.000	5.000 +.010 +0.000	4.375 +.000 -.004	4.999 +.000 -.004	5.000 +.010 +0.000
DSU31-4.37-50	4-3/8	5	1/2	.531 +.015 +0.000	4.375 +.000 -.004	4.376 +.004 +0.000	5.000 +.010 +0.000	4.375 +.000 -.004	4.999 +.000 -.004	5.000 +.010 +0.000
DSU31-4.37-56	4-3/8	5	9/16	.594 +.015 +0.000	4.375 +.000 -.004	4.376 +.004 +0.000	5.000 +.010 +0.000	4.375 +.000 -.004	4.999 +.000 -.004	5.000 +.010 +0.000
DSU31-4.50-37	4-1/2	5-1/8	3/8	.406 +.015 +0.000	4.500 +.000 -.004	4.501 +.004 +0.000	5.125 +.010 +0.000	4.500 +.000 -.004	5.124 +.000 -.004	5.125 +.010 +0.000
DSU31-4.50-62	4-1/2	5-1/8	5/8	.656 +.015 +0.000	4.500 +.000 -.004	4.501 +.004 +0.000	5.125 +.010 +0.000	4.500 +.000 -.004	5.124 +.000 -.004	5.125 +.010 +0.000
DSU31-4.75-37	4-3/4	5-3/8	3/8	.406 +.015 +0.000	4.750 +.000 -.004	4.751 +.004 +0.000	5.375 +.010 +0.000	4.750 +.000 -.004	5.374 +.000 -.004	5.375 +.010 +0.000
DSU31-4.75-50	4-3/4	5-3/8	1/2	.531 +.015 +0.000	4.750 +.000 -.004	4.751 +.004 +0.000	5.375 +.010 +0.000	4.750 +.000 -.004	5.374 +.000 -.004	5.375 +.010 +0.000
DSU31-4.75-62	4-3/4	5-3/8	5/8	.656 +.015 +0.000	4.750 +.000 -.004	4.751 +.004 +0.000	5.375 +.010 +0.000	4.750 +.000 -.004	5.374 +.000 -.004	5.375 +.010 +0.000
DSU31-4.87-37	4-7/8	5-1/2	3/8	.406 +.015 +0.000	4.875 +.000 -.004	4.876 +.004 +0.000	5.500 +.010 +0.000	4.875 +.000 -.004	5.499 +.000 -.004	5.500 +.010 +0.000
DSU31-4.87-50	4-7/8	5-1/2	1/2	.531 +.015 +0.000	4.875 +.000 -.004	4.876 +.004 +0.000	5.500 +.010 +0.000	4.875 +.000 -.004	5.499 +.000 -.004	5.500 +.010 +0.000
DSU31-5.12-37	5-1/8	5-3/4	3/8	.406 +.015 +0.000	5.125 +.000 -.004	5.126 +.004 +0.000	5.750 +.010 +0.000	5.125 +.000 -.004	5.749 +.000 -.004	5.750 +.010 +0.000
DSU31-5.12-50	5-1/8	5-3/4	1/2	.531 +.015 +0.000	5.125 +.000 -.004	5.126 +.004 +0.000	5.750 +.010 +0.000	5.125 +.000 -.004	5.749 +.000 -.004	5.750 +.010 +0.000
DSU31-5.25-37	5-1/4	5-7/8	3/8	.406 +.015 +0.000	5.250 +.000 -.004	5.251 +.004 +0.000	5.875 +.010 +0.000	5.250 +.000 -.004	5.874 +.000 -.004	5.875 +.010 +0.000
DSU31-5.37-37	5-3/8	6	3/8	.406 +.015 +0.000	5.375 +.000 -.004	5.376 +.004 +0.000	6.000 +.010 +0.000	5.375 +.000 -.004	5.999 +.000 -.004	6.000 +.010 +0.000
DSU31-5.37-50	5-3/8	6	1/2	.531 +.015 +0.000	5.375 +.000 -.004	5.376 +.004 +0.000	6.000 +.010 +0.000	5.375 +.000 -.004	5.999 +.000 -.004	6.000 +.010 +0.000
DSU31-5.37-62	5-3/8	6	5/8	.656 +.015 +0.000	5.375 +.000 -.004	5.376 +.004 +0.000	6.000 +.010 +0.000	5.375 +.000 -.004	5.999 +.000 -.004	6.000 +.010 +0.000
DSU31-5.50-37	5-1/2	6-1/8	3/8	.406 +.015 +0.000	5.500 +.000 -.004	5.501 +.004 +0.000	6.125 +.010 +0.000	5.500 +.000 -.004	6.124 +.000 -.004	6.125 +.010 +0.000

U-SEALS



# STYLE DSU HEAVY DUTY SYMMETRICAL U-SEALS

Part Number	A Nom. ID	B Nom. OD	C Nom. Ht	D GROOVE WIDTH	E ROD DIAMETER	F THROAT DIAMETER	G HOUSING DIAMETER	H GROOVE DIAMETER	I PISTON DIAMETER	J BORE DIAMETER	
DSU31-5.62-50	5-5/8	6-1/4	1/2	.531 <sup>+0.015</sup> / <sub>+0.000</sub>	5.625 <sup>+0.000</sup> / <sub>-0.004</sub>	5.626 <sup>+0.004</sup> / <sub>+0.000</sub>	6.250 <sup>+0.010</sup> / <sub>+0.000</sub>	5.625 <sup>+0.000</sup> / <sub>-0.004</sub>	6.249 <sup>+0.000</sup> / <sub>-0.004</sub>	6.250 <sup>+0.010</sup> / <sub>+0.000</sub>	
DSU31-5.87-37	5-7/8	6-1/2	3/8	.406 <sup>+0.015</sup> / <sub>+0.000</sub>	5.875 <sup>+0.000</sup> / <sub>-0.004</sub>	5.876 <sup>+0.004</sup> / <sub>+0.000</sub>	6.500 <sup>+0.010</sup> / <sub>+0.000</sub>	5.875 <sup>+0.000</sup> / <sub>-0.004</sub>	6.499 <sup>+0.000</sup> / <sub>-0.004</sub>	6.500 <sup>+0.010</sup> / <sub>+0.000</sub>	
<b>3/8" C/S</b>											
DSU37-1.25-37	1-1/4	2	3/8	.406 <sup>+0.015</sup> / <sub>+0.000</sub>	1.250 <sup>+0.000</sup> / <sub>-0.003</sub>	1.251 <sup>+0.003</sup> / <sub>+0.000</sub>	2.000 <sup>+0.008</sup> / <sub>+0.000</sub>	1.250 <sup>+0.000</sup> / <sub>-0.003</sub>	1.999 <sup>+0.000</sup> / <sub>-0.003</sub>	2.000 <sup>+0.008</sup> / <sub>+0.000</sub>	
DSU37-1.25-43	1-1/4	2	7/16	.468 <sup>+0.015</sup> / <sub>+0.000</sub>	1.250 <sup>+0.000</sup> / <sub>-0.003</sub>	1.251 <sup>+0.003</sup> / <sub>+0.000</sub>	2.000 <sup>+0.008</sup> / <sub>+0.000</sub>	1.250 <sup>+0.000</sup> / <sub>-0.003</sub>	1.999 <sup>+0.000</sup> / <sub>-0.003</sub>	2.000 <sup>+0.008</sup> / <sub>+0.000</sub>	
DSU37-1.25-50	1-1/4	2	1/2	.531 <sup>+0.015</sup> / <sub>+0.000</sub>	1.250 <sup>+0.000</sup> / <sub>-0.003</sub>	1.251 <sup>+0.003</sup> / <sub>+0.000</sub>	2.000 <sup>+0.008</sup> / <sub>+0.000</sub>	1.250 <sup>+0.000</sup> / <sub>-0.003</sub>	1.999 <sup>+0.000</sup> / <sub>-0.003</sub>	2.000 <sup>+0.008</sup> / <sub>+0.000</sub>	
DSU37-1.50-37	1-1/2	2-1/4	3/8	.406 <sup>+0.015</sup> / <sub>+0.000</sub>	1.500 <sup>+0.000</sup> / <sub>-0.003</sub>	1.501 <sup>+0.003</sup> / <sub>+0.000</sub>	2.250 <sup>+0.008</sup> / <sub>+0.000</sub>	1.500 <sup>+0.000</sup> / <sub>-0.003</sub>	2.249 <sup>+0.000</sup> / <sub>-0.004</sub>	2.250 <sup>+0.008</sup> / <sub>+0.000</sub>	
DSU37-1.50-50	1-1/2	2-1/4	1/2	.531 <sup>+0.015</sup> / <sub>+0.000</sub>	1.500 <sup>+0.000</sup> / <sub>-0.003</sub>	1.501 <sup>+0.003</sup> / <sub>+0.000</sub>	2.250 <sup>+0.008</sup> / <sub>+0.000</sub>	1.500 <sup>+0.000</sup> / <sub>-0.003</sub>	2.249 <sup>+0.000</sup> / <sub>-0.004</sub>	2.250 <sup>+0.008</sup> / <sub>+0.000</sub>	
DSU37-1.62-37	1-5/8	2-3/8	3/8	.406 <sup>+0.015</sup> / <sub>+0.000</sub>	1.625 <sup>+0.000</sup> / <sub>-0.003</sub>	1.626 <sup>+0.003</sup> / <sub>+0.000</sub>	2.375 <sup>+0.008</sup> / <sub>+0.000</sub>	1.625 <sup>+0.000</sup> / <sub>-0.003</sub>	2.374 <sup>+0.000</sup> / <sub>-0.004</sub>	2.375 <sup>+0.008</sup> / <sub>+0.000</sub>	
DSU37-1.62-50	1-5/8	2-3/8	1/2	.531 <sup>+0.015</sup> / <sub>+0.000</sub>	1.625 <sup>+0.000</sup> / <sub>-0.003</sub>	1.626 <sup>+0.003</sup> / <sub>+0.000</sub>	2.375 <sup>+0.008</sup> / <sub>+0.000</sub>	1.625 <sup>+0.000</sup> / <sub>-0.003</sub>	2.374 <sup>+0.000</sup> / <sub>-0.004</sub>	2.375 <sup>+0.008</sup> / <sub>+0.000</sub>	
DSU37-1.75-37	1-3/4	2-1/2	3/8	.406 <sup>+0.015</sup> / <sub>+0.000</sub>	1.750 <sup>+0.000</sup> / <sub>-0.003</sub>	1.751 <sup>+0.003</sup> / <sub>+0.000</sub>	2.500 <sup>+0.008</sup> / <sub>+0.000</sub>	1.750 <sup>+0.000</sup> / <sub>-0.003</sub>	2.499 <sup>+0.000</sup> / <sub>-0.004</sub>	2.500 <sup>+0.008</sup> / <sub>+0.000</sub>	
DSU37-1.75-62	1-3/4	2-1/2	5/8	.656 <sup>+0.015</sup> / <sub>+0.000</sub>	1.750 <sup>+0.000</sup> / <sub>-0.003</sub>	1.751 <sup>+0.003</sup> / <sub>+0.000</sub>	2.500 <sup>+0.008</sup> / <sub>+0.000</sub>	1.750 <sup>+0.000</sup> / <sub>-0.003</sub>	2.499 <sup>+0.000</sup> / <sub>-0.004</sub>	2.500 <sup>+0.008</sup> / <sub>+0.000</sub>	
DSU37-2.00-37	2	2-3/4	3/8	.406 <sup>+0.015</sup> / <sub>+0.000</sub>	2.000 <sup>+0.000</sup> / <sub>-0.003</sub>	2.001 <sup>+0.004</sup> / <sub>+0.000</sub>	2.750 <sup>+0.008</sup> / <sub>+0.000</sub>	2.000 <sup>+0.000</sup> / <sub>-0.003</sub>	2.749 <sup>+0.000</sup> / <sub>-0.004</sub>	2.750 <sup>+0.008</sup> / <sub>+0.000</sub>	
DSU37-2.00-50	2	2-3/4	1/2	.531 <sup>+0.015</sup> / <sub>+0.000</sub>	2.000 <sup>+0.000</sup> / <sub>-0.003</sub>	2.001 <sup>+0.004</sup> / <sub>+0.000</sub>	2.750 <sup>+0.008</sup> / <sub>+0.000</sub>	2.000 <sup>+0.000</sup> / <sub>-0.003</sub>	2.749 <sup>+0.000</sup> / <sub>-0.004</sub>	2.750 <sup>+0.008</sup> / <sub>+0.000</sub>	
DSU37-2.25-37	2-1/4	3	3/8	.406 <sup>+0.015</sup> / <sub>+0.000</sub>	2.250 <sup>+0.000</sup> / <sub>-0.003</sub>	2.251 <sup>+0.004</sup> / <sub>+0.000</sub>	3.000 <sup>+0.008</sup> / <sub>+0.000</sub>	2.250 <sup>+0.000</sup> / <sub>-0.003</sub>	2.999 <sup>+0.000</sup> / <sub>-0.004</sub>	3.000 <sup>+0.008</sup> / <sub>+0.000</sub>	
DSU37-2.25-50	2-1/4	3	1/2	.531 <sup>+0.015</sup> / <sub>+0.000</sub>	2.250 <sup>+0.000</sup> / <sub>-0.003</sub>	2.251 <sup>+0.004</sup> / <sub>+0.000</sub>	3.000 <sup>+0.008</sup> / <sub>+0.000</sub>	2.250 <sup>+0.000</sup> / <sub>-0.003</sub>	2.999 <sup>+0.000</sup> / <sub>-0.004</sub>	3.000 <sup>+0.008</sup> / <sub>+0.000</sub>	
DSU37-2.25-62	2-1/4	3	5/8	.656 <sup>+0.015</sup> / <sub>+0.000</sub>	2.250 <sup>+0.000</sup> / <sub>-0.003</sub>	2.251 <sup>+0.004</sup> / <sub>+0.000</sub>	3.000 <sup>+0.008</sup> / <sub>+0.000</sub>	2.250 <sup>+0.000</sup> / <sub>-0.003</sub>	2.999 <sup>+0.000</sup> / <sub>-0.004</sub>	3.000 <sup>+0.008</sup> / <sub>+0.000</sub>	
DSU37-2.50-37	2-1/2	3-1/4	3/8	.406 <sup>+0.015</sup> / <sub>+0.000</sub>	2.500 <sup>+0.000</sup> / <sub>-0.003</sub>	2.501 <sup>+0.004</sup> / <sub>+0.000</sub>	3.250 <sup>+0.009</sup> / <sub>+0.000</sub>	2.500 <sup>+0.000</sup> / <sub>-0.003</sub>	3.249 <sup>+0.000</sup> / <sub>-0.004</sub>	3.250 <sup>+0.009</sup> / <sub>+0.000</sub>	
DSU37-2.50-50	2-1/2	3-1/4	1/2	.531 <sup>+0.015</sup> / <sub>+0.000</sub>	2.500 <sup>+0.000</sup> / <sub>-0.003</sub>	2.501 <sup>+0.004</sup> / <sub>+0.000</sub>	3.250 <sup>+0.009</sup> / <sub>+0.000</sub>	2.500 <sup>+0.000</sup> / <sub>-0.003</sub>	3.249 <sup>+0.000</sup> / <sub>-0.004</sub>	3.250 <sup>+0.009</sup> / <sub>+0.000</sub>	
DSU37-2.50-62	2-1/2	3-1/4	5/8	.656 <sup>+0.015</sup> / <sub>+0.000</sub>	2.500 <sup>+0.000</sup> / <sub>-0.003</sub>	2.501 <sup>+0.004</sup> / <sub>+0.000</sub>	3.250 <sup>+0.009</sup> / <sub>+0.000</sub>	2.500 <sup>+0.000</sup> / <sub>-0.003</sub>	3.249 <sup>+0.000</sup> / <sub>-0.004</sub>	3.250 <sup>+0.009</sup> / <sub>+0.000</sub>	
DSU37-2.62-37	2-5/8	3-3/8	3/8	.406 <sup>+0.015</sup> / <sub>+0.000</sub>	2.625 <sup>+0.000</sup> / <sub>-0.003</sub>	2.626 <sup>+0.004</sup> / <sub>+0.000</sub>	3.375 <sup>+0.009</sup> / <sub>+0.000</sub>	2.625 <sup>+0.000</sup> / <sub>-0.003</sub>	3.374 <sup>+0.000</sup> / <sub>-0.004</sub>	3.375 <sup>+0.009</sup> / <sub>+0.000</sub>	
DSU37-2.62-62	2-5/8	3-3/8	5/8	.656 <sup>+0.015</sup> / <sub>+0.000</sub>	2.625 <sup>+0.000</sup> / <sub>-0.003</sub>	2.626 <sup>+0.004</sup> / <sub>+0.000</sub>	3.375 <sup>+0.009</sup> / <sub>+0.000</sub>	2.625 <sup>+0.000</sup> / <sub>-0.003</sub>	3.374 <sup>+0.000</sup> / <sub>-0.004</sub>	3.375 <sup>+0.009</sup> / <sub>+0.000</sub>	
DSU37-2.75-37	2-3/4	3-1/2	3/8	.406 <sup>+0.015</sup> / <sub>+0.000</sub>	2.750 <sup>+0.000</sup> / <sub>-0.003</sub>	2.751 <sup>+0.004</sup> / <sub>+0.000</sub>	3.500 <sup>+0.009</sup> / <sub>+0.000</sub>	2.750 <sup>+0.000</sup> / <sub>-0.003</sub>	3.499 <sup>+0.000</sup> / <sub>-0.004</sub>	3.500 <sup>+0.009</sup> / <sub>+0.000</sub>	
DSU37-2.75-50	2-3/4	3-1/2	1/2	.531 <sup>+0.015</sup> / <sub>+0.000</sub>	2.750 <sup>+0.000</sup> / <sub>-0.003</sub>	2.751 <sup>+0.004</sup> / <sub>+0.000</sub>	3.500 <sup>+0.009</sup> / <sub>+0.000</sub>	2.750 <sup>+0.000</sup> / <sub>-0.003</sub>	3.499 <sup>+0.000</sup> / <sub>-0.004</sub>	3.500 <sup>+0.009</sup> / <sub>+0.000</sub>	
DSU37-2.75-62	2-3/4	3-1/2	5/8	.656 <sup>+0.015</sup> / <sub>+0.000</sub>	2.750 <sup>+0.000</sup> / <sub>-0.003</sub>	2.751 <sup>+0.004</sup> / <sub>+0.000</sub>	3.500 <sup>+0.009</sup> / <sub>+0.000</sub>	2.750 <sup>+0.000</sup> / <sub>-0.003</sub>	3.499 <sup>+0.000</sup> / <sub>-0.004</sub>	3.500 <sup>+0.009</sup> / <sub>+0.000</sub>	
DSU37-3.00-37	3	3-3/4	3/8	.406 <sup>+0.015</sup> / <sub>+0.000</sub>	3.000 <sup>+0.000</sup> / <sub>-0.004</sub>	3.001 <sup>+0.004</sup> / <sub>+0.000</sub>	3.750 <sup>+0.009</sup> / <sub>+0.000</sub>	3.000 <sup>+0.000</sup> / <sub>-0.004</sub>	3.749 <sup>+0.000</sup> / <sub>-0.004</sub>	3.750 <sup>+0.009</sup> / <sub>+0.000</sub>	
DSU37-3.00-50	3	3-3/4	1/2	.531 <sup>+0.015</sup> / <sub>+0.000</sub>	3.000 <sup>+0.000</sup> / <sub>-0.004</sub>	3.001 <sup>+0.004</sup> / <sub>+0.000</sub>	3.750 <sup>+0.009</sup> / <sub>+0.000</sub>	3.000 <sup>+0.000</sup> / <sub>-0.004</sub>	3.749 <sup>+0.000</sup> / <sub>-0.004</sub>	3.750 <sup>+0.009</sup> / <sub>+0.000</sub>	
DSU37-3.00-62	3	3-3/4	5/8	.656 <sup>+0.015</sup> / <sub>+0.000</sub>	3.000 <sup>+0.000</sup> / <sub>-0.004</sub>	3.001 <sup>+0.004</sup> / <sub>+0.000</sub>	3.750 <sup>+0.009</sup> / <sub>+0.000</sub>	3.000 <sup>+0.000</sup> / <sub>-0.004</sub>	3.749 <sup>+0.000</sup> / <sub>-0.004</sub>	3.750 <sup>+0.009</sup> / <sub>+0.000</sub>	
DSU37-3.25-37	3-1/4	4	3/8	.406 <sup>+0.015</sup> / <sub>+0.000</sub>	3.250 <sup>+0.000</sup> / <sub>-0.004</sub>	3.251 <sup>+0.004</sup> / <sub>+0.000</sub>	4.000 <sup>+0.009</sup> / <sub>+0.000</sub>	3.250 <sup>+0.000</sup> / <sub>-0.004</sub>	3.999 <sup>+0.000</sup> / <sub>-0.004</sub>	4.000 <sup>+0.009</sup> / <sub>+0.000</sub>	
DSU37-3.25-50	3-1/4	4	1/2	.531 <sup>+0.015</sup> / <sub>+0.000</sub>	3.250 <sup>+0.000</sup> / <sub>-0.004</sub>	3.251 <sup>+0.004</sup> / <sub>+0.000</sub>	4.000 <sup>+0.009</sup> / <sub>+0.000</sub>	3.250 <sup>+0.000</sup> / <sub>-0.004</sub>	3.999 <sup>+0.000</sup> / <sub>-0.004</sub>	4.000 <sup>+0.009</sup> / <sub>+0.000</sub>	
DSU37-3.25-62	3-1/4	4	5/8	.656 <sup>+0.015</sup> / <sub>+0.000</sub>	3.250 <sup>+0.000</sup> / <sub>-0.004</sub>	3.251 <sup>+0.004</sup> / <sub>+0.000</sub>	4.000 <sup>+0.009</sup> / <sub>+0.000</sub>	3.250 <sup>+0.000</sup> / <sub>-0.004</sub>	3.999 <sup>+0.000</sup> / <sub>-0.004</sub>	4.000 <sup>+0.009</sup> / <sub>+0.000</sub>	
DSU37-3.50-37	3-1/2	4-1/4	3/8	.406 <sup>+0.015</sup> / <sub>+0.000</sub>	3.500 <sup>+0.000</sup> / <sub>-0.004</sub>	3.501 <sup>+0.004</sup> / <sub>+0.000</sub>	4.250 <sup>+0.009</sup> / <sub>+0.000</sub>	3.500 <sup>+0.000</sup> / <sub>-0.004</sub>	4.249 <sup>+0.000</sup> / <sub>-0.004</sub>	4.250 <sup>+0.009</sup> / <sub>+0.000</sub>	
DSU37-3.50-50	3-1/2	4-1/4	1/2	.531 <sup>+0.015</sup> / <sub>+0.000</sub>	3.500 <sup>+0.000</sup> / <sub>-0.004</sub>	3.501 <sup>+0.004</sup> / <sub>+0.000</sub>	4.250 <sup>+0.009</sup> / <sub>+0.000</sub>	3.500 <sup>+0.000</sup> / <sub>-0.004</sub>	4.249 <sup>+0.000</sup> / <sub>-0.004</sub>	4.250 <sup>+0.009</sup> / <sub>+0.000</sub>	

U-SEALS





# STYLE DSU HEAVY DUTY SYMMETRICAL U-SEALS

Part Number	A Nom. ID	B Nom. OD	C Nom. Ht	D GROOVE WIDTH	E ROD DIAMETER	F THROAT DIAMETER	G HOUSING DIAMETER	H GROOVE DIAMETER	I PISTON DIAMETER	J BORE DIAMETER	
DSU37-3.50-62	3-1/2	4-1/4	5/8	.656 +0.015 +0.000	3.500 +0.000 -0.004	3.501 +0.004 +0.000	4.250 +0.009 +0.000	3.500 +0.000 -0.004	4.249 +0.000 -0.004	4.250 +0.009 +0.000	
DSU37-3.75-37	3-3/4	4-1/2	3/8	.406 +0.015 +0.000	3.750 +0.000 -0.004	3.751 +0.004 +0.000	4.500 +0.009 +0.000	3.750 +0.000 -0.004	4.499 +0.000 -0.004	4.500 +0.009 +0.000	
DSU37-3.75-50	3-3/4	4-1/2	1/2	.531 +0.015 +0.000	3.750 +0.000 -0.004	3.751 +0.004 +0.000	4.500 +0.009 +0.000	3.750 +0.000 -0.004	4.499 +0.000 -0.004	4.500 +0.009 +0.000	
DSU37-3.75-62	3-3/4	4-1/2	5/8	.656 +0.015 +0.000	3.750 +0.000 -0.004	3.751 +0.004 +0.000	4.500 +0.009 +0.000	3.750 +0.000 -0.004	4.499 +0.000 -0.004	4.500 +0.009 +0.000	
DSU37-4.00-37	4	4-3/4	3/8	.406 +0.015 +0.000	4.000 +0.000 -0.004	4.001 +0.004 +0.000	4.750 +0.009 +0.000	4.000 +0.000 -0.004	4.749 +0.000 -0.004	4.750 +0.009 +0.000	
DSU37-4.00-50	4	4-3/4	1/2	.531 +0.015 +0.000	4.000 +0.000 -0.004	4.001 +0.004 +0.000	4.750 +0.009 +0.000	4.000 +0.000 -0.004	4.749 +0.000 -0.004	4.750 +0.009 +0.000	
DSU37-4.00-62	4	4-3/4	5/8	.656 +0.015 +0.000	4.000 +0.000 -0.004	4.001 +0.004 +0.000	4.750 +0.009 +0.000	4.000 +0.000 -0.004	4.749 +0.000 -0.004	4.750 +0.009 +0.000	
DSU37-4.12-62	4-1/8	4-7/8	5/8	.656 +0.015 +0.000	4.125 +0.000 -0.004	4.126 +0.004 +0.000	4.875 +0.009 +0.000	4.125 +0.000 -0.004	4.874 +0.000 -0.004	4.875 +0.009 +0.000	
DSU37-4.25-37	4-1/4	5	3/8	.406 +0.015 +0.000	4.250 +0.000 -0.004	4.251 +0.004 +0.000	5.000 +0.010 +0.000	4.250 +0.000 -0.004	4.999 +0.000 -0.004	5.000 +0.010 +0.000	
DSU37-4.25-50	4-1/4	5	1/2	.531 +0.015 +0.000	4.250 +0.000 -0.004	4.251 +0.004 +0.000	5.000 +0.010 +0.000	4.250 +0.000 -0.004	4.999 +0.000 -0.004	5.000 +0.010 +0.000	
DSU37-4.25-62	4-1/4	5	5/8	.656 +0.015 +0.000	4.250 +0.000 -0.004	4.251 +0.004 +0.000	5.000 +0.010 +0.000	4.250 +0.000 -0.004	4.999 +0.000 -0.004	5.000 +0.010 +0.000	
DSU37-4.50-50	4-1/2	5-1/4	1/2	.531 +0.015 +0.000	4.500 +0.000 -0.004	4.501 +0.004 +0.000	5.250 +0.010 +0.000	4.500 +0.000 -0.004	5.249 +0.000 -0.004	5.250 +0.010 +0.000	
DSU37-4.50-62	4-1/2	5-1/4	5/8	.656 +0.015 +0.000	4.500 +0.000 -0.004	4.501 +0.004 +0.000	5.250 +0.010 +0.000	4.500 +0.000 -0.004	5.249 +0.000 -0.004	5.250 +0.010 +0.000	
DSU37-4.62-50	4-5/8	5-3/8	1/2	.531 +0.015 +0.000	4.625 +0.000 -0.004	4.626 +0.004 +0.000	5.375 +0.010 +0.000	4.625 +0.000 -0.004	5.374 +0.000 -0.004	5.375 +0.010 +0.000	
DSU37-4.75-50	4-3/4	5-1/2	1/2	.531 +0.015 +0.000	4.750 +0.000 -0.004	4.751 +0.004 +0.000	5.500 +0.010 +0.000	4.750 +0.000 -0.004	5.499 +0.000 -0.004	5.500 +0.010 +0.000	
DSU37-4.75-62	4-3/4	5-1/2	5/8	.656 +0.015 +0.000	4.750 +0.000 -0.004	4.751 +0.004 +0.000	5.500 +0.010 +0.000	4.750 +0.000 -0.004	5.499 +0.000 -0.004	5.500 +0.010 +0.000	
DSU37-4.87-50	4-7/8	5-5/8	1/2	.531 +0.015 +0.000	4.875 +0.000 -0.004	4.876 +0.004 +0.000	5.625 +0.010 +0.000	4.875 +0.000 -0.004	5.624 +0.000 -0.004	5.625 +0.010 +0.000	
DSU37-5.25-37	5-1/4	6	3/8	.406 +0.015 +0.000	5.250 +0.000 -0.004	5.251 +0.004 +0.000	6.000 +0.010 +0.000	5.250 +0.000 -0.004	5.999 +0.000 -0.004	6.000 +0.010 +0.000	
DSU37-5.25-50	5-1/4	6	1/2	.531 +0.015 +0.000	5.250 +0.000 -0.004	5.251 +0.004 +0.000	6.000 +0.010 +0.000	5.250 +0.000 -0.004	5.999 +0.000 -0.004	6.000 +0.010 +0.000	
DSU37-5.25-62	5-1/4	6	5/8	.656 +0.015 +0.000	5.250 +0.000 -0.004	5.251 +0.004 +0.000	6.000 +0.010 +0.000	5.250 +0.000 -0.004	5.999 +0.000 -0.004	6.000 +0.010 +0.000	
DSU37-5.37-50	5-3/8	6-1/8	1/2	.531 +0.015 +0.000	5.375 +0.000 -0.004	5.376 +0.004 +0.000	6.125 +0.010 +0.000	5.375 +0.000 -0.004	6.124 +0.000 -0.004	6.125 +0.010 +0.000	
DSU37-5.50-37	5-1/2	6-1/4	3/8	.406 +0.015 +0.000	5.500 +0.000 -0.004	5.501 +0.004 +0.000	6.250 +0.010 +0.000	5.500 +0.000 -0.004	6.249 +0.000 -0.004	6.250 +0.010 +0.000	
DSU37-5.50-50	5-1/2	6-1/4	1/2	.531 +0.015 +0.000	5.500 +0.000 -0.004	5.501 +0.004 +0.000	6.250 +0.010 +0.000	5.500 +0.000 -0.004	6.249 +0.000 -0.004	6.250 +0.010 +0.000	
DSU37-5.62-62	5-5/8	6-3/8	5/8	.656 +0.015 +0.000	5.625 +0.000 -0.004	5.626 +0.004 +0.000	6.375 +0.010 +0.000	5.625 +0.000 -0.004	6.374 +0.000 -0.004	6.375 +0.010 +0.000	
DSU37-5.75-50	5-3/4	6-1/2	1/2	.531 +0.015 +0.000	5.750 +0.000 -0.004	5.751 +0.004 +0.000	6.500 +0.010 +0.000	5.750 +0.000 -0.004	6.499 +0.000 -0.004	6.500 +0.010 +0.000	
DSU37-5.75-62	5-3/4	6-1/2	5/8	.656 +0.015 +0.000	5.750 +0.000 -0.004	5.751 +0.004 +0.000	6.500 +0.010 +0.000	5.750 +0.000 -0.004	6.499 +0.000 -0.004	6.500 +0.010 +0.000	
DSU37-6.25-50	6-1/4	7	1/2	.531 +0.015 +0.000	6.250 +0.000 -0.004	6.251 +0.004 +0.000	7.000 +0.011 +0.000	6.250 +0.000 -0.004	6.999 +0.000 -0.004	7.000 +0.011 +0.000	
DSU37-6.25-62	6-1/4	7	5/8	.656 +0.015 +0.000	6.250 +0.000 -0.004	6.251 +0.004 +0.000	7.000 +0.011 +0.000	6.250 +0.000 -0.004	6.999 +0.000 -0.004	7.000 +0.011 +0.000	
DSU37-6.50-50	6-1/2	7-1/4	1/2	.531 +0.015 +0.000	6.500 +0.000 -0.004	6.501 +0.004 +0.000	7.250 +0.011 +0.000	6.500 +0.000 -0.004	7.249 +0.000 -0.004	7.250 +0.011 +0.000	
DSU37-6.50-62	6-1/2	7-1/4	5/8	.656 +0.015 +0.000	6.500 +0.000 -0.004	6.501 +0.004 +0.000	7.250 +0.011 +0.000	6.500 +0.000 -0.004	7.249 +0.000 -0.004	7.250 +0.011 +0.000	
DSU37-6.75-50	6-3/4	7-1/2	1/2	.531 +0.015 +0.000	6.750 +0.000 -0.004	6.751 +0.004 +0.000	7.500 +0.011 +0.000	6.750 +0.000 -0.004	7.499 +0.000 -0.004	7.500 +0.011 +0.000	
DSU37-7.00-50	7	7-3/4	1/2	.531 +0.015 +0.000	7.000 +0.000 -0.005	7.001 +0.004 +0.000	7.750 +0.011 +0.000	7.000 +0.000 -0.005	7.749 +0.000 -0.004	7.750 +0.011 +0.000	
DSU37-7.00-62	7	7-3/4	5/8	.656 +0.015 +0.000	7.000 +0.000 -0.005	7.001 +0.004 +0.000	7.750 +0.011 +0.000	7.000 +0.000 -0.005	7.749 +0.000 -0.004	7.750 +0.011 +0.000	

U-SEALS



# STYLE DSU HEAVY DUTY SYMMETRICAL U-SEALS

Part Number	A Nom. ID	B Nom. OD	C Nom. Ht	D GROOVE WIDTH	E ROD DIAMETER	F THROAT DIAMETER	G HOUSING DIAMETER	H GROOVE DIAMETER	I PISTON DIAMETER	J BORE DIAMETER	
DSU37-7.25-50	7-1/4	8	1/2	.531 <sup>+0.015</sup> / <sub>+0.000</sub>	7.250 <sup>+0.000</sup> / <sub>-0.005</sub>	7.251 <sup>+0.004</sup> / <sub>+0.000</sub>	8.000 <sup>+0.011</sup> / <sub>+0.000</sub>	7.250 <sup>+0.000</sup> / <sub>-0.005</sub>	7.999 <sup>+0.000</sup> / <sub>-0.004</sub>	8.000 <sup>+0.011</sup> / <sub>+0.000</sub>	
DSU37-7.75-50	7-3/4	8-1/2	1/2	.531 <sup>+0.015</sup> / <sub>+0.000</sub>	7.750 <sup>+0.000</sup> / <sub>-0.005</sub>	7.751 <sup>+0.004</sup> / <sub>+0.000</sub>	8.500 <sup>+0.011</sup> / <sub>+0.000</sub>	7.750 <sup>+0.000</sup> / <sub>-0.005</sub>	8.499 <sup>+0.000</sup> / <sub>-0.004</sub>	8.500 <sup>+0.011</sup> / <sub>+0.000</sub>	
DSU37-8.25-50	8-1/4	9	1/2	.531 <sup>+0.015</sup> / <sub>+0.000</sub>	8.250 <sup>+0.000</sup> / <sub>-0.005</sub>	8.251 <sup>+0.004</sup> / <sub>+0.000</sub>	9.000 <sup>+0.012</sup> / <sub>+0.000</sub>	8.250 <sup>+0.000</sup> / <sub>-0.005</sub>	8.999 <sup>+0.000</sup> / <sub>-0.004</sub>	9.000 <sup>+0.012</sup> / <sub>+0.000</sub>	
DSU37-8.50-62	8-1/2	9-1/4	5/8	.656 <sup>+0.015</sup> / <sub>+0.000</sub>	8.500 <sup>+0.000</sup> / <sub>-0.005</sub>	8.501 <sup>+0.004</sup> / <sub>+0.000</sub>	9.250 <sup>+0.012</sup> / <sub>+0.000</sub>	8.500 <sup>+0.000</sup> / <sub>-0.005</sub>	9.249 <sup>+0.000</sup> / <sub>-0.004</sub>	9.250 <sup>+0.012</sup> / <sub>+0.000</sub>	
<b>1/2" C/S</b>											
DSU50-1.87-62	1-7/8	2-7/8	5/8	.656 <sup>+0.015</sup> / <sub>+0.000</sub>	1.875 <sup>+0.000</sup> / <sub>-0.003</sub>	1.876 <sup>+0.003</sup> / <sub>+0.000</sub>	2.875 <sup>+0.008</sup> / <sub>+0.000</sub>	1.875 <sup>+0.000</sup> / <sub>-0.003</sub>	2.874 <sup>+0.000</sup> / <sub>-0.004</sub>	2.875 <sup>+0.008</sup> / <sub>+0.000</sub>	
DSU50-2.50-68	2-1/2	3-1/2	11/16	.718 <sup>+0.015</sup> / <sub>+0.000</sub>	2.500 <sup>+0.000</sup> / <sub>-0.003</sub>	2.501 <sup>+0.004</sup> / <sub>+0.000</sub>	3.500 <sup>+0.009</sup> / <sub>+0.000</sub>	2.500 <sup>+0.000</sup> / <sub>-0.003</sub>	3.499 <sup>+0.000</sup> / <sub>-0.004</sub>	3.500 <sup>+0.009</sup> / <sub>+0.000</sub>	
DSU50-3.00-62	3	4	.656 ±0.015	.687 <sup>+0.015</sup> / <sub>+0.000</sub>	3.000 <sup>+0.000</sup> / <sub>-0.004</sub>	3.001 <sup>+0.004</sup> / <sub>+0.000</sub>	4.000 <sup>+0.009</sup> / <sub>+0.000</sub>	3.000 <sup>+0.000</sup> / <sub>-0.004</sub>	3.999 <sup>+0.000</sup> / <sub>-0.004</sub>	4.000 <sup>+0.009</sup> / <sub>+0.000</sub>	
DSU50-3.50-50	3-1/2	4-1/2	1/2	.531 <sup>+0.015</sup> / <sub>+0.000</sub>	3.500 <sup>+0.000</sup> / <sub>-0.004</sub>	3.501 <sup>+0.004</sup> / <sub>+0.000</sub>	4.500 <sup>+0.009</sup> / <sub>+0.000</sub>	3.500 <sup>+0.000</sup> / <sub>-0.004</sub>	4.499 <sup>+0.000</sup> / <sub>-0.004</sub>	4.500 <sup>+0.009</sup> / <sub>+0.000</sub>	
DSU50-3.50-62	3-1/2	4-1/2	5/8	.656 <sup>+0.015</sup> / <sub>+0.000</sub>	3.500 <sup>+0.000</sup> / <sub>-0.004</sub>	3.501 <sup>+0.004</sup> / <sub>+0.000</sub>	4.500 <sup>+0.009</sup> / <sub>+0.000</sub>	3.500 <sup>+0.000</sup> / <sub>-0.004</sub>	4.499 <sup>+0.000</sup> / <sub>-0.004</sub>	4.500 <sup>+0.009</sup> / <sub>+0.000</sub>	
DSU50-6.00-62	6	7	5/8	.656 <sup>+0.015</sup> / <sub>+0.000</sub>	6.000 <sup>+0.000</sup> / <sub>-0.004</sub>	6.001 <sup>+0.004</sup> / <sub>+0.000</sub>	7.000 <sup>+0.011</sup> / <sub>+0.000</sub>	6.000 <sup>+0.000</sup> / <sub>-0.004</sub>	6.999 <sup>+0.000</sup> / <sub>-0.004</sub>	7.000 <sup>+0.011</sup> / <sub>+0.000</sub>	
DSU50-6.00-75	6	7	3/4	.781 <sup>+0.015</sup> / <sub>+0.000</sub>	6.000 <sup>+0.000</sup> / <sub>-0.004</sub>	6.001 <sup>+0.004</sup> / <sub>+0.000</sub>	7.000 <sup>+0.011</sup> / <sub>+0.000</sub>	6.000 <sup>+0.000</sup> / <sub>-0.004</sub>	6.999 <sup>+0.000</sup> / <sub>-0.004</sub>	7.000 <sup>+0.011</sup> / <sub>+0.000</sub>	
DSU50-6.50-75	6-1/2	7-1/2	3/4	.781 <sup>+0.015</sup> / <sub>+0.000</sub>	6.500 <sup>+0.000</sup> / <sub>-0.004</sub>	6.501 <sup>+0.004</sup> / <sub>+0.000</sub>	7.500 <sup>+0.011</sup> / <sub>+0.000</sub>	6.500 <sup>+0.000</sup> / <sub>-0.004</sub>	7.499 <sup>+0.000</sup> / <sub>-0.004</sub>	7.500 <sup>+0.011</sup> / <sub>+0.000</sub>	
DSU50-7.00-62	7	8	5/8	.656 <sup>+0.015</sup> / <sub>+0.000</sub>	7.000 <sup>+0.000</sup> / <sub>-0.005</sub>	7.001 <sup>+0.004</sup> / <sub>+0.000</sub>	8.000 <sup>+0.011</sup> / <sub>+0.000</sub>	7.000 <sup>+0.000</sup> / <sub>-0.005</sub>	7.999 <sup>+0.000</sup> / <sub>-0.004</sub>	8.000 <sup>+0.011</sup> / <sub>+0.000</sub>	
DSU50-7.00-75	7	8	3/4	.781 <sup>+0.015</sup> / <sub>+0.000</sub>	7.000 <sup>+0.000</sup> / <sub>-0.005</sub>	7.001 <sup>+0.004</sup> / <sub>+0.000</sub>	8.000 <sup>+0.011</sup> / <sub>+0.000</sub>	7.000 <sup>+0.000</sup> / <sub>-0.005</sub>	7.999 <sup>+0.000</sup> / <sub>-0.004</sub>	8.000 <sup>+0.011</sup> / <sub>+0.000</sub>	
DSU50-7.50-75	7-1/2	8-1/2	3/4	.781 <sup>+0.015</sup> / <sub>+0.000</sub>	7.500 <sup>+0.000</sup> / <sub>-0.005</sub>	7.501 <sup>+0.004</sup> / <sub>+0.000</sub>	8.500 <sup>+0.011</sup> / <sub>+0.000</sub>	7.500 <sup>+0.000</sup> / <sub>-0.005</sub>	8.499 <sup>+0.000</sup> / <sub>-0.004</sub>	8.500 <sup>+0.011</sup> / <sub>+0.000</sub>	
DSU50-7.75-75	7-3/4	8-3/4	3/4	.781 <sup>+0.015</sup> / <sub>+0.000</sub>	7.750 <sup>+0.000</sup> / <sub>-0.005</sub>	7.751 <sup>+0.004</sup> / <sub>+0.000</sub>	8.750 <sup>+0.011</sup> / <sub>+0.000</sub>	7.750 <sup>+0.000</sup> / <sub>-0.005</sub>	8.749 <sup>+0.000</sup> / <sub>-0.004</sub>	8.750 <sup>+0.011</sup> / <sub>+0.000</sub>	
DSU50-8.00-62	8	9	5/8	.656 <sup>+0.015</sup> / <sub>+0.000</sub>	8.000 <sup>+0.000</sup> / <sub>-0.005</sub>	8.001 <sup>+0.004</sup> / <sub>+0.000</sub>	9.000 <sup>+0.012</sup> / <sub>+0.000</sub>	8.000 <sup>+0.000</sup> / <sub>-0.005</sub>	8.999 <sup>+0.000</sup> / <sub>-0.004</sub>	9.000 <sup>+0.012</sup> / <sub>+0.000</sub>	
DSU50-8.00-75	8	9	3/4	.781 <sup>+0.015</sup> / <sub>+0.000</sub>	8.000 <sup>+0.000</sup> / <sub>-0.005</sub>	8.001 <sup>+0.004</sup> / <sub>+0.000</sub>	9.000 <sup>+0.012</sup> / <sub>+0.000</sub>	8.000 <sup>+0.000</sup> / <sub>-0.005</sub>	8.999 <sup>+0.000</sup> / <sub>-0.004</sub>	9.000 <sup>+0.012</sup> / <sub>+0.000</sub>	
DSU50-9.00-62	9	10	5/8	.656 <sup>+0.015</sup> / <sub>+0.000</sub>	9.000 <sup>+0.000</sup> / <sub>-0.005</sub>	9.001 <sup>+0.004</sup> / <sub>+0.000</sub>	10.000 <sup>+0.012</sup> / <sub>+0.000</sub>	9.000 <sup>+0.000</sup> / <sub>-0.005</sub>	9.999 <sup>+0.000</sup> / <sub>-0.004</sub>	10.000 <sup>+0.012</sup> / <sub>+0.000</sub>	
DSU50-9.00-75	9	10	3/4	.781 <sup>+0.015</sup> / <sub>+0.000</sub>	9.000 <sup>+0.000</sup> / <sub>-0.005</sub>	9.001 <sup>+0.004</sup> / <sub>+0.000</sub>	10.000 <sup>+0.012</sup> / <sub>+0.000</sub>	9.000 <sup>+0.000</sup> / <sub>-0.005</sub>	9.999 <sup>+0.000</sup> / <sub>-0.004</sub>	10.000 <sup>+0.012</sup> / <sub>+0.000</sub>	
DSU50-10.00-75	10	11	3/4	.781 <sup>+0.015</sup> / <sub>+0.000</sub>	10.000 <sup>+0.000</sup> / <sub>-0.006</sub>	10.001 <sup>+0.004</sup> / <sub>+0.000</sub>	11.000 <sup>+0.012</sup> / <sub>+0.000</sub>	10.000 <sup>+0.000</sup> / <sub>-0.006</sub>	10.999 <sup>+0.000</sup> / <sub>-0.004</sub>	11.000 <sup>+0.012</sup> / <sub>+0.000</sub>	
DSU50-11.00-75	11	12	3/4	.781 <sup>+0.015</sup> / <sub>+0.000</sub>	11.000 <sup>+0.000</sup> / <sub>-0.006</sub>	11.001 <sup>+0.004</sup> / <sub>+0.000</sub>	12.000 <sup>+0.012</sup> / <sub>+0.000</sub>	11.000 <sup>+0.000</sup> / <sub>-0.006</sub>	11.999 <sup>+0.000</sup> / <sub>-0.004</sub>	12.000 <sup>+0.012</sup> / <sub>+0.000</sub>	
DSU50-12.00-75	12	13	3/4	.781 <sup>+0.015</sup> / <sub>+0.000</sub>	12.000 <sup>+0.000</sup> / <sub>-0.006</sub>	12.001 <sup>+0.004</sup> / <sub>+0.000</sub>	13.000 <sup>+0.012</sup> / <sub>+0.000</sub>	12.000 <sup>+0.000</sup> / <sub>-0.006</sub>	12.999 <sup>+0.000</sup> / <sub>-0.004</sub>	13.000 <sup>+0.012</sup> / <sub>+0.000</sub>	
DSU50-15.00-75	15	16	3/4	.781 <sup>+0.015</sup> / <sub>+0.000</sub>	15.000 <sup>+0.000</sup> / <sub>-0.006</sub>	15.001 <sup>+0.004</sup> / <sub>+0.000</sub>	16.000 <sup>+0.012</sup> / <sub>+0.000</sub>	15.000 <sup>+0.000</sup> / <sub>-0.006</sub>	15.999 <sup>+0.000</sup> / <sub>-0.004</sub>	16.000 <sup>+0.012</sup> / <sub>+0.000</sub>	
DSU50-17.00-75	17	18	3/4	.781 <sup>+0.015</sup> / <sub>+0.000</sub>	17.000 <sup>+0.000</sup> / <sub>-0.006</sub>	17.001 <sup>+0.004</sup> / <sub>+0.000</sub>	18.000 <sup>+0.012</sup> / <sub>+0.000</sub>	17.000 <sup>+0.000</sup> / <sub>-0.006</sub>	17.999 <sup>+0.000</sup> / <sub>-0.004</sub>	18.000 <sup>+0.012</sup> / <sub>+0.000</sub>	
<b>5/8" C/S</b>											
DSU62-3.75-62	3-3/4	5	5/8	.656 <sup>+0.015</sup> / <sub>+0.000</sub>	3.750 <sup>+0.000</sup> / <sub>-0.004</sub>	3.751 <sup>+0.004</sup> / <sub>+0.000</sub>	5.000 <sup>+0.010</sup> / <sub>+0.000</sub>	3.750 <sup>+0.000</sup> / <sub>-0.004</sub>	4.999 <sup>+0.000</sup> / <sub>-0.004</sub>	5.000 <sup>+0.010</sup> / <sub>+0.000</sub>	
<b>3/4" C/S</b>											
DSU75-12.50-100	12-1/2	14	1	1.031 <sup>+0.015</sup> / <sub>+0.000</sub>	12.500 <sup>+0.000</sup> / <sub>-0.006</sub>	12.501 <sup>+0.004</sup> / <sub>+0.000</sub>	14.000 <sup>+0.012</sup> / <sub>+0.000</sub>	12.500 <sup>+0.000</sup> / <sub>-0.006</sub>	13.999 <sup>+0.000</sup> / <sub>-0.004</sub>	14.000 <sup>+0.012</sup> / <sub>+0.000</sub>	

U-SEALS

