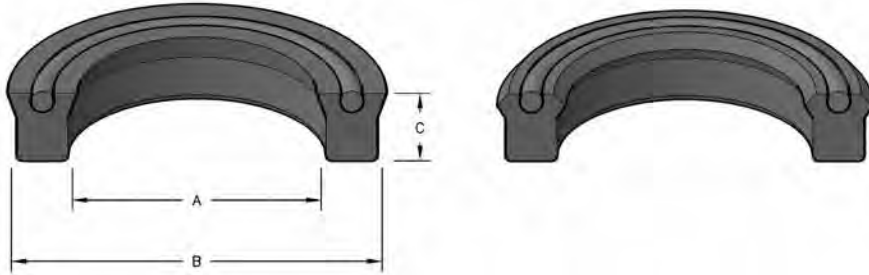
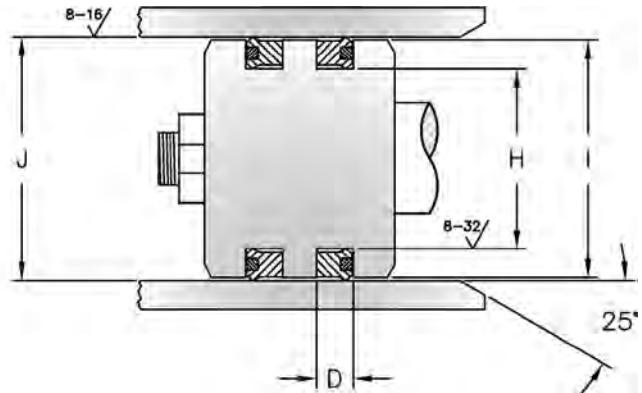
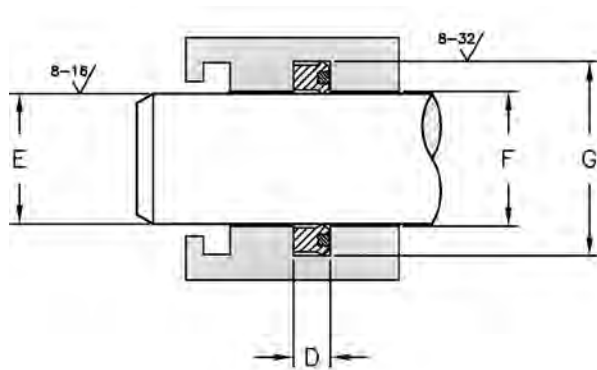


URETHANE POWERPAK

PowerPaks offer excellent resistance to extrusion and abrasion. The round cross-section expander offers energized sealing from zero to 5,000 psi.



SEAL INFORMATION	
MATERIAL	95A URETHANE
TEMPERATURE RANGE	-40°F TO +200°F
PRESSURE RANGE	0 TO 5,000 PSI
SPEED	3 FT/SEC



Standard -
Height and cross section are equal, thus giving a square seal. Utilizes type "D" lip
Typical Part Number 25002500



Deep -
Utilizes the same "D" lip, but the seal height is greater than the cross section, thus giving a rectangular shape.
Typical Part Number 25002500-375



Type B -
Same dimensions as the Deep seal. Beveled lip design provides better film breaking. Utilizes type "B" lip. Typical Part Number 25002500-375B

Part Number	A Nom. ID	B Nom. OD	C Nom. Ht	D GROOVE WIDTH	E ROD DIAMETER	F THROAT DIAMETER	G HOUSING DIAMETER	H GROOVE DIAMETER	I PISTON DIAMETER	J BORE DIAMETER	
1/8" C/S											
12500125	1/8	3/8	1/8	.138 ^{+0.015} / _{+0.000}	.125 ^{+0.000} / _{-0.001}	.126 ^{+0.002} / _{+0.000}	.375 ^{+0.002} / _{+0.000}	.125 ^{+0.000} / _{-0.002}	.374 ^{+0.000} / _{-0.001}	.375 ^{+0.002} / _{+0.000}	
12500140	9/64	25/64	1/8	.138 ^{+0.015} / _{+0.000}	.140 ^{+0.000} / _{-0.001}	.142 ^{+0.002} / _{+0.000}	.391 ^{+0.002} / _{+0.000}	.140 ^{+0.000} / _{-0.002}	.390 ^{+0.000} / _{-0.001}	.391 ^{+0.002} / _{+0.000}	
12500187	3/16	7/16	1/8	.138 ^{+0.015} / _{+0.000}	.187 ^{+0.000} / _{-0.001}	.189 ^{+0.002} / _{+0.000}	.438 ^{+0.002} / _{+0.000}	.187 ^{+0.000} / _{-0.002}	.436 ^{+0.000} / _{-0.001}	.438 ^{+0.002} / _{+0.000}	
12500187-B	3/16	7/16	1/8	.138 ^{+0.015} / _{+0.000}	.187 ^{+0.000} / _{-0.001}	.189 ^{+0.002} / _{+0.000}	.438 ^{+0.002} / _{+0.000}	.187 ^{+0.000} / _{-0.002}	.436 ^{+0.000} / _{-0.001}	.438 ^{+0.002} / _{+0.000}	
12500187-250B	3/16	7/16	1/4	.275 ^{+0.015} / _{+0.000}	.187 ^{+0.000} / _{-0.001}	.189 ^{+0.002} / _{+0.000}	.438 ^{+0.002} / _{+0.000}	.187 ^{+0.000} / _{-0.002}	.436 ^{+0.000} / _{-0.001}	.438 ^{+0.002} / _{+0.000}	
12500250	1/4	1/2	1/8	.138 ^{+0.015} / _{+0.000}	.250 ^{+0.000} / _{-0.001}	.251 ^{+0.002} / _{+0.000}	.500 ^{+0.002} / _{+0.000}	.250 ^{+0.000} / _{-0.002}	.499 ^{+0.000} / _{-0.001}	.500 ^{+0.002} / _{+0.000}	
12500250-B	1/4	1/2	1/8	.138 ^{+0.015} / _{+0.000}	.250 ^{+0.000} / _{-0.001}	.251 ^{+0.002} / _{+0.000}	.500 ^{+0.002} / _{+0.000}	.250 ^{+0.000} / _{-0.002}	.499 ^{+0.000} / _{-0.001}	.500 ^{+0.002} / _{+0.000}	
12500250-250B	1/4	1/2	1/4	.275 ^{+0.015} / _{+0.000}	.250 ^{+0.000} / _{-0.001}	.251 ^{+0.002} / _{+0.000}	.500 ^{+0.002} / _{+0.000}	.250 ^{+0.000} / _{-0.002}	.499 ^{+0.000} / _{-0.001}	.500 ^{+0.002} / _{+0.000}	

POWERPAK



4740 EASTPARK DRIVE
HOUSTON, TX 77028
T. 713-869-8003
F. 713-869-8725

URETHANE POWERPAK

Part Number	A Nom. ID	B Nom. OD	C Nom. Ht	D GROOVE WIDTH	E ROD DIAMETER	F THROAT DIAMETER	G HOUSING DIAMETER	H GROOVE DIAMETER	I PISTON DIAMETER	J BORE DIAMETER
12500281-250B	9/32	17/32	1/4	.275 ^{+0.015} / _{+0.000}	.281 ^{+0.000} / _{-.001}	.282 ^{+0.002} / _{+0.000}	.532 ^{+0.002} / _{+0.000}	.281 ^{+0.000} / _{-.002}	.530 ^{+0.000} / _{-.001}	.532 ^{+0.002} / _{+0.000}
12500312	5/16	9/16	1/8	.138 ^{+0.015} / _{+0.000}	.312 ^{+0.000} / _{-.001}	.313 ^{+0.002} / _{+0.000}	.563 ^{+0.002} / _{+0.000}	.312 ^{+0.000} / _{-.002}	.562 ^{+0.000} / _{-.001}	.563 ^{+0.002} / _{+0.000}
12500312-B	5/16	9/16	1/8	.138 ^{+0.015} / _{+0.000}	.312 ^{+0.000} / _{-.001}	.313 ^{+0.002} / _{+0.000}	.563 ^{+0.002} / _{+0.000}	.312 ^{+0.000} / _{-.002}	.562 ^{+0.000} / _{-.001}	.563 ^{+0.002} / _{+0.000}
12500312-250B	5/16	9/16	1/4	.275 ^{+0.015} / _{+0.000}	.312 ^{+0.000} / _{-.001}	.313 ^{+0.002} / _{+0.000}	.563 ^{+0.002} / _{+0.000}	.312 ^{+0.000} / _{-.002}	.562 ^{+0.000} / _{-.001}	.563 ^{+0.002} / _{+0.000}
12500375	3/8	5/8	1/8	.138 ^{+0.015} / _{+0.000}	.375 ^{+0.000} / _{-.001}	.376 ^{+0.002} / _{+0.000}	.625 ^{+0.002} / _{+0.000}	.375 ^{+0.000} / _{-.002}	.624 ^{+0.000} / _{-.001}	.625 ^{+0.002} / _{+0.000}
12500375-B	3/8	5/8	1/8	.138 ^{+0.015} / _{+0.000}	.375 ^{+0.000} / _{-.001}	.376 ^{+0.002} / _{+0.000}	.625 ^{+0.002} / _{+0.000}	.375 ^{+0.000} / _{-.002}	.624 ^{+0.000} / _{-.001}	.625 ^{+0.002} / _{+0.000}
12500375-250B	3/8	5/8	1/4	.275 ^{+0.015} / _{+0.000}	.375 ^{+0.000} / _{-.001}	.376 ^{+0.002} / _{+0.000}	.625 ^{+0.002} / _{+0.000}	.375 ^{+0.000} / _{-.002}	.624 ^{+0.000} / _{-.001}	.625 ^{+0.002} / _{+0.000}
12500437	7/16	11/16	1/8	.138 ^{+0.015} / _{+0.000}	.437 ^{+0.000} / _{-.001}	.439 ^{+0.002} / _{+0.000}	.688 ^{+0.002} / _{+0.000}	.437 ^{+0.000} / _{-.002}	.687 ^{+0.000} / _{-.001}	.688 ^{+0.002} / _{+0.000}
12500437-B	7/16	11/16	1/8	.138 ^{+0.015} / _{+0.000}	.437 ^{+0.000} / _{-.001}	.439 ^{+0.002} / _{+0.000}	.688 ^{+0.002} / _{+0.000}	.437 ^{+0.000} / _{-.002}	.687 ^{+0.000} / _{-.001}	.688 ^{+0.002} / _{+0.000}
12500437-250B	7/16	11/16	1/4	.275 ^{+0.015} / _{+0.000}	.437 ^{+0.000} / _{-.001}	.439 ^{+0.002} / _{+0.000}	.688 ^{+0.002} / _{+0.000}	.437 ^{+0.000} / _{-.002}	.687 ^{+0.000} / _{-.001}	.688 ^{+0.002} / _{+0.000}
12500500	1/2	3/4	1/8	.138 ^{+0.015} / _{+0.000}	.500 ^{+0.000} / _{-.001}	.501 ^{+0.002} / _{+0.000}	.750 ^{+0.002} / _{+0.000}	.500 ^{+0.000} / _{-.002}	.749 ^{+0.000} / _{-.001}	.750 ^{+0.002} / _{+0.000}
12500500-B	1/2	3/4	1/8	.138 ^{+0.015} / _{+0.000}	.500 ^{+0.000} / _{-.001}	.501 ^{+0.002} / _{+0.000}	.750 ^{+0.002} / _{+0.000}	.500 ^{+0.000} / _{-.002}	.749 ^{+0.000} / _{-.001}	.750 ^{+0.002} / _{+0.000}
12500500-250B	1/2	3/4	1/4	.275 ^{+0.015} / _{+0.000}	.500 ^{+0.000} / _{-.001}	.501 ^{+0.002} / _{+0.000}	.750 ^{+0.002} / _{+0.000}	.500 ^{+0.000} / _{-.002}	.749 ^{+0.000} / _{-.001}	.750 ^{+0.002} / _{+0.000}
12500562	9/16	13/16	1/8	.138 ^{+0.015} / _{+0.000}	.562 ^{+0.000} / _{-.001}	.564 ^{+0.002} / _{+0.000}	.813 ^{+0.002} / _{+0.000}	.562 ^{+0.000} / _{-.002}	.812 ^{+0.000} / _{-.001}	.813 ^{+0.002} / _{+0.000}
12500562-B	9/16	13/16	1/8	.138 ^{+0.015} / _{+0.000}	.562 ^{+0.000} / _{-.001}	.564 ^{+0.002} / _{+0.000}	.813 ^{+0.002} / _{+0.000}	.562 ^{+0.000} / _{-.002}	.812 ^{+0.000} / _{-.001}	.813 ^{+0.002} / _{+0.000}
12500562-250B	9/16	13/16	1/4	.275 ^{+0.015} / _{+0.000}	.562 ^{+0.000} / _{-.001}	.564 ^{+0.002} / _{+0.000}	.813 ^{+0.002} / _{+0.000}	.562 ^{+0.000} / _{-.002}	.812 ^{+0.000} / _{-.001}	.813 ^{+0.002} / _{+0.000}
12500625	5/8	7/8	1/8	.138 ^{+0.015} / _{+0.000}	.625 ^{+0.000} / _{-.001}	.626 ^{+0.002} / _{+0.000}	.875 ^{+0.002} / _{+0.000}	.625 ^{+0.000} / _{-.002}	.874 ^{+0.000} / _{-.001}	.875 ^{+0.002} / _{+0.000}
12500625-B	5/8	7/8	1/8	.138 ^{+0.015} / _{+0.000}	.625 ^{+0.000} / _{-.001}	.626 ^{+0.002} / _{+0.000}	.875 ^{+0.002} / _{+0.000}	.625 ^{+0.000} / _{-.002}	.874 ^{+0.000} / _{-.001}	.875 ^{+0.002} / _{+0.000}
12500625-250B	5/8	7/8	1/4	.275 ^{+0.015} / _{+0.000}	.625 ^{+0.000} / _{-.001}	.626 ^{+0.002} / _{+0.000}	.875 ^{+0.002} / _{+0.000}	.625 ^{+0.000} / _{-.002}	.874 ^{+0.000} / _{-.001}	.875 ^{+0.002} / _{+0.000}
12500625-250	5/8	7/8	1/4	.275 ^{+0.015} / _{+0.000}	.625 ^{+0.000} / _{-.001}	.626 ^{+0.002} / _{+0.000}	.875 ^{+0.002} / _{+0.000}	.625 ^{+0.000} / _{-.002}	.874 ^{+0.000} / _{-.001}	.875 ^{+0.002} / _{+0.000}
12500687	11/16	15/16	1/8	.138 ^{+0.015} / _{+0.000}	.687 ^{+0.000} / _{-.001}	.689 ^{+0.002} / _{+0.000}	.938 ^{+0.002} / _{+0.000}	.687 ^{+0.000} / _{-.002}	.937 ^{+0.000} / _{-.001}	.938 ^{+0.002} / _{+0.000}
12500687-B	11/16	15/16	1/8	.138 ^{+0.015} / _{+0.000}	.687 ^{+0.000} / _{-.001}	.689 ^{+0.002} / _{+0.000}	.938 ^{+0.002} / _{+0.000}	.687 ^{+0.000} / _{-.002}	.937 ^{+0.000} / _{-.001}	.938 ^{+0.002} / _{+0.000}
12500687-250B	11/16	15/16	1/4	.275 ^{+0.015} / _{+0.000}	.687 ^{+0.000} / _{-.001}	.689 ^{+0.002} / _{+0.000}	.938 ^{+0.002} / _{+0.000}	.687 ^{+0.000} / _{-.002}	.937 ^{+0.000} / _{-.001}	.938 ^{+0.002} / _{+0.000}
12500750	3/4	1	1/8	.138 ^{+0.015} / _{+0.000}	.750 ^{+0.000} / _{-.001}	.751 ^{+0.002} / _{+0.000}	1.000 ^{+0.002} / _{+0.000}	.750 ^{+0.000} / _{-.002}	.999 ^{+0.000} / _{-.001}	1.000 ^{+0.002} / _{+0.000}
12500750-B	3/4	1	1/8	.138 ^{+0.015} / _{+0.000}	.750 ^{+0.000} / _{-.001}	.751 ^{+0.002} / _{+0.000}	1.000 ^{+0.002} / _{+0.000}	.750 ^{+0.000} / _{-.002}	.999 ^{+0.000} / _{-.001}	1.000 ^{+0.002} / _{+0.000}
12500750-187B	3/4	1	3/16	.206 ^{+0.015} / _{+0.000}	.750 ^{+0.000} / _{-.001}	.751 ^{+0.002} / _{+0.000}	1.000 ^{+0.002} / _{+0.000}	.750 ^{+0.000} / _{-.002}	.999 ^{+0.000} / _{-.001}	1.000 ^{+0.002} / _{+0.000}
12500750-250B	3/4	1	1/4	.275 ^{+0.015} / _{+0.000}	.750 ^{+0.000} / _{-.001}	.751 ^{+0.002} / _{+0.000}	1.000 ^{+0.002} / _{+0.000}	.750 ^{+0.000} / _{-.002}	.999 ^{+0.000} / _{-.001}	1.000 ^{+0.002} / _{+0.000}
12500750-250	3/4	1	1/4	.275 ^{+0.015} / _{+0.000}	.750 ^{+0.000} / _{-.001}	.751 ^{+0.002} / _{+0.000}	1.000 ^{+0.002} / _{+0.000}	.750 ^{+0.000} / _{-.002}	.999 ^{+0.000} / _{-.001}	1.000 ^{+0.002} / _{+0.000}
12500812	13/16	1-1/16	1/8	.138 ^{+0.015} / _{+0.000}	.812 ^{+0.000} / _{-.001}	.814 ^{+0.002} / _{+0.000}	1.063 ^{+0.002} / _{+0.000}	.812 ^{+0.000} / _{-.002}	1.061 ^{+0.000} / _{-.001}	1.063 ^{+0.002} / _{+0.000}
12500812-B	13/16	1-1/16	1/8	.138 ^{+0.015} / _{+0.000}	.812 ^{+0.000} / _{-.001}	.814 ^{+0.002} / _{+0.000}	1.063 ^{+0.002} / _{+0.000}	.812 ^{+0.000} / _{-.002}	1.062 ^{+0.000} / _{-.001}	1.063 ^{+0.002} / _{+0.000}
12500812-250B	13/16	1-1/16	1/4	.275 ^{+0.015} / _{+0.000}	.812 ^{+0.000} / _{-.001}	.814 ^{+0.002} / _{+0.000}	1.063 ^{+0.002} / _{+0.000}	.812 ^{+0.000} / _{-.002}	1.061 ^{+0.000} / _{-.001}	1.063 ^{+0.002} / _{+0.000}

POWERPAK



4740 EASTPARK DRIVE
HOUSTON, TX 77028
T. 713-869-8003
F. 713-869-8725

URETHANE POWERPAK

Part Number	A Nom. ID	B Nom. OD	C Nom. Ht	D GROOVE WIDTH	E ROD DIAMETER	F THROAT DIAMETER	G HOUSING DIAMETER	H GROOVE DIAMETER	I PISTON DIAMETER	J BORE DIAMETER
12500875	7/8	1-1/8	1/8	.138 ^{+0.015} / _{+0.000}	.875 ^{+0.000} / _{-.001}	.876 ^{+0.002} / _{+0.000}	1.125 ^{+0.002} / _{+0.000}	.875 ^{+0.000} / _{-.002}	1.124 ^{+0.000} / _{-.001}	1.125 ^{+0.002} / _{+0.000}
12500875-B	7/8	1-1/8	1/8	.138 ^{+0.015} / _{+0.000}	.875 ^{+0.000} / _{-.001}	.876 ^{+0.002} / _{+0.000}	1.125 ^{+0.002} / _{+0.000}	.875 ^{+0.000} / _{-.002}	1.124 ^{+0.000} / _{-.001}	1.125 ^{+0.002} / _{+0.000}
12500875-250B	7/8	1-1/8	1/4	.275 ^{+0.015} / _{+0.000}	.875 ^{+0.000} / _{-.001}	.876 ^{+0.002} / _{+0.000}	1.125 ^{+0.002} / _{+0.000}	.875 ^{+0.000} / _{-.002}	1.124 ^{+0.000} / _{-.001}	1.125 ^{+0.002} / _{+0.000}
12500875-250	7/8	1-1/8	1/4	.275 ^{+0.015} / _{+0.000}	.875 ^{+0.000} / _{-.001}	.876 ^{+0.002} / _{+0.000}	1.125 ^{+0.002} / _{+0.000}	.875 ^{+0.000} / _{-.002}	1.124 ^{+0.000} / _{-.001}	1.125 ^{+0.002} / _{+0.000}
12500937	15/16	1-3/16	1/8	.138 ^{+0.015} / _{+0.000}	.937 ^{+0.000} / _{-.001}	.939 ^{+0.002} / _{+0.000}	1.188 ^{+0.002} / _{+0.000}	.937 ^{+0.000} / _{-.002}	1.187 ^{+0.000} / _{-.001}	1.188 ^{+0.002} / _{+0.000}
12500937-250B	15/16	1-3/16	1/4	.275 ^{+0.015} / _{+0.000}	.937 ^{+0.000} / _{-.001}	.939 ^{+0.002} / _{+0.000}	1.188 ^{+0.002} / _{+0.000}	.937 ^{+0.000} / _{-.002}	1.187 ^{+0.000} / _{-.001}	1.188 ^{+0.002} / _{+0.000}
12501000	1	1-1/4	1/8	.138 ^{+0.015} / _{+0.000}	1.000 ^{+0.000} / _{-.001}	1.001 ^{+0.002} / _{+0.000}	1.250 ^{+0.002} / _{+0.000}	1.000 ^{+0.000} / _{-.002}	1.249 ^{+0.000} / _{-.001}	1.250 ^{+0.002} / _{+0.000}
12501000-B	1	1-1/4	1/8	.138 ^{+0.015} / _{+0.000}	1.000 ^{+0.000} / _{-.001}	1.001 ^{+0.002} / _{+0.000}	1.250 ^{+0.002} / _{+0.000}	1.000 ^{+0.000} / _{-.002}	1.249 ^{+0.000} / _{-.001}	1.250 ^{+0.002} / _{+0.000}
12501000-187B	1	1-1/4	3/16	.206 ^{+0.015} / _{+0.000}	1.000 ^{+0.000} / _{-.001}	1.001 ^{+0.002} / _{+0.000}	1.250 ^{+0.002} / _{+0.000}	1.000 ^{+0.000} / _{-.002}	1.249 ^{+0.000} / _{-.001}	1.250 ^{+0.002} / _{+0.000}
12501000-250B	1	1-1/4	1/4	.275 ^{+0.015} / _{+0.000}	1.000 ^{+0.000} / _{-.001}	1.001 ^{+0.002} / _{+0.000}	1.250 ^{+0.002} / _{+0.000}	1.000 ^{+0.000} / _{-.002}	1.249 ^{+0.000} / _{-.001}	1.250 ^{+0.002} / _{+0.000}
12501000-250	1	1-1/4	1/4	.275 ^{+0.015} / _{+0.000}	1.000 ^{+0.000} / _{-.001}	1.001 ^{+0.002} / _{+0.000}	1.250 ^{+0.002} / _{+0.000}	1.000 ^{+0.000} / _{-.002}	1.249 ^{+0.000} / _{-.001}	1.250 ^{+0.002} / _{+0.000}
12501062-B	1-1/16	1-5/16	1/8	.138 ^{+0.015} / _{+0.000}	1.062 ^{+0.000} / _{-.001}	1.063 ^{+0.002} / _{+0.000}	1.313 ^{+0.002} / _{+0.000}	1.062 ^{+0.000} / _{-.002}	1.311 ^{+0.000} / _{-.001}	1.313 ^{+0.002} / _{+0.000}
12501062-250B	1-1/16	1-5/16	1/4	.275 ^{+0.015} / _{+0.000}	1.062 ^{+0.000} / _{-.001}	1.063 ^{+0.002} / _{+0.000}	1.313 ^{+0.002} / _{+0.000}	1.062 ^{+0.000} / _{-.002}	1.311 ^{+0.000} / _{-.001}	1.313 ^{+0.002} / _{+0.000}
12501125	1-1/8	1-3/8	1/8	.138 ^{+0.015} / _{+0.000}	1.125 ^{+0.000} / _{-.001}	1.126 ^{+0.002} / _{+0.000}	1.375 ^{+0.002} / _{+0.000}	1.125 ^{+0.000} / _{-.002}	1.374 ^{+0.000} / _{-.001}	1.375 ^{+0.002} / _{+0.000}
12501125-B	1-1/8	1-3/8	1/8	.138 ^{+0.015} / _{+0.000}	1.125 ^{+0.000} / _{-.001}	1.126 ^{+0.002} / _{+0.000}	1.375 ^{+0.002} / _{+0.000}	1.125 ^{+0.000} / _{-.002}	1.374 ^{+0.000} / _{-.001}	1.375 ^{+0.002} / _{+0.000}
12501125-187B	1-1/8	1-3/8	3/16	.206 ^{+0.015} / _{+0.000}	1.125 ^{+0.000} / _{-.001}	1.126 ^{+0.002} / _{+0.000}	1.375 ^{+0.002} / _{+0.000}	1.125 ^{+0.000} / _{-.002}	1.374 ^{+0.000} / _{-.001}	1.375 ^{+0.002} / _{+0.000}
12501125-250B	1-1/8	1-3/8	1/4	.275 ^{+0.015} / _{+0.000}	1.125 ^{+0.000} / _{-.001}	1.126 ^{+0.002} / _{+0.000}	1.375 ^{+0.002} / _{+0.000}	1.125 ^{+0.000} / _{-.002}	1.374 ^{+0.000} / _{-.001}	1.375 ^{+0.002} / _{+0.000}
12501125-250	1-1/8	1-3/8	1/4	.275 ^{+0.015} / _{+0.000}	1.125 ^{+0.000} / _{-.001}	1.126 ^{+0.002} / _{+0.000}	1.375 ^{+0.002} / _{+0.000}	1.125 ^{+0.000} / _{-.002}	1.374 ^{+0.000} / _{-.001}	1.375 ^{+0.002} / _{+0.000}
12501187	1-3/16	1-7/16	1/8	.138 ^{+0.015} / _{+0.000}	1.187 ^{+0.000} / _{-.001}	1.189 ^{+0.002} / _{+0.000}	1.438 ^{+0.002} / _{+0.000}	1.187 ^{+0.000} / _{-.002}	1.436 ^{+0.000} / _{-.001}	1.438 ^{+0.002} / _{+0.000}
12501187-187B	1-3/16	1-7/16	3/16	.206 ^{+0.015} / _{+0.000}	1.187 ^{+0.000} / _{-.001}	1.189 ^{+0.002} / _{+0.000}	1.438 ^{+0.002} / _{+0.000}	1.187 ^{+0.000} / _{-.002}	1.436 ^{+0.000} / _{-.001}	1.438 ^{+0.002} / _{+0.000}
12501187-250B	1-3/16	1-7/16	1/4	.275 ^{+0.015} / _{+0.000}	1.187 ^{+0.000} / _{-.001}	1.189 ^{+0.002} / _{+0.000}	1.438 ^{+0.002} / _{+0.000}	1.187 ^{+0.000} / _{-.002}	1.436 ^{+0.000} / _{-.001}	1.438 ^{+0.002} / _{+0.000}
12501250	1-1/4	1-1/2	1/8	.138 ^{+0.015} / _{+0.000}	1.250 ^{+0.000} / _{-.001}	1.251 ^{+0.002} / _{+0.000}	1.500 ^{+0.002} / _{+0.000}	1.250 ^{+0.000} / _{-.002}	1.499 ^{+0.000} / _{-.001}	1.500 ^{+0.002} / _{+0.000}
12501250-B	1-1/4	1-1/2	1/8	.138 ^{+0.015} / _{+0.000}	1.250 ^{+0.000} / _{-.001}	1.251 ^{+0.002} / _{+0.000}	1.500 ^{+0.002} / _{+0.000}	1.250 ^{+0.000} / _{-.002}	1.499 ^{+0.000} / _{-.001}	1.500 ^{+0.002} / _{+0.000}
12501250-187B	1-1/4	1-1/2	3/16	.206 ^{+0.015} / _{+0.000}	1.250 ^{+0.000} / _{-.001}	1.251 ^{+0.002} / _{+0.000}	1.500 ^{+0.002} / _{+0.000}	1.250 ^{+0.000} / _{-.002}	1.499 ^{+0.000} / _{-.001}	1.500 ^{+0.002} / _{+0.000}
12501250-250B	1-1/4	1-1/2	1/4	.275 ^{+0.015} / _{+0.000}	1.250 ^{+0.000} / _{-.001}	1.251 ^{+0.002} / _{+0.000}	1.500 ^{+0.002} / _{+0.000}	1.250 ^{+0.000} / _{-.002}	1.499 ^{+0.000} / _{-.001}	1.500 ^{+0.002} / _{+0.000}
12501250-250	1-1/4	1-1/2	1/4	.275 ^{+0.015} / _{+0.000}	1.250 ^{+0.000} / _{-.001}	1.251 ^{+0.002} / _{+0.000}	1.500 ^{+0.002} / _{+0.000}	1.250 ^{+0.000} / _{-.002}	1.499 ^{+0.000} / _{-.001}	1.500 ^{+0.002} / _{+0.000}
12501312	1-5/16	1-9/16	1/8	.138 ^{+0.015} / _{+0.000}	1.312 ^{+0.000} / _{-.001}	1.313 ^{+0.002} / _{+0.000}	1.563 ^{+0.002} / _{+0.000}	1.312 ^{+0.000} / _{-.002}	1.561 ^{+0.000} / _{-.001}	1.563 ^{+0.002} / _{+0.000}
12501312-B	1-5/16	1-9/16	1/8	.138 ^{+0.015} / _{+0.000}	1.312 ^{+0.000} / _{-.001}	1.313 ^{+0.002} / _{+0.000}	1.563 ^{+0.002} / _{+0.000}	1.312 ^{+0.000} / _{-.002}	1.561 ^{+0.000} / _{-.001}	1.563 ^{+0.002} / _{+0.000}
12501312-187B	1-5/16	1-9/16	3/16	.206 ^{+0.015} / _{+0.000}	1.312 ^{+0.000} / _{-.001}	1.313 ^{+0.002} / _{+0.000}	1.563 ^{+0.002} / _{+0.000}	1.312 ^{+0.000} / _{-.002}	1.561 ^{+0.000} / _{-.001}	1.563 ^{+0.002} / _{+0.000}
12501375-B	1-3/8	1-5/8	1/8	.138 ^{+0.015} / _{+0.000}	1.375 ^{+0.000} / _{-.001}	1.376 ^{+0.002} / _{+0.000}	1.625 ^{+0.002} / _{+0.000}	1.375 ^{+0.000} / _{-.002}	1.624 ^{+0.000} / _{-.001}	1.625 ^{+0.002} / _{+0.000}
12501375-187B	1-3/8	1-5/8	3/16	.206 ^{+0.015} / _{+0.000}	1.375 ^{+0.000} / _{-.001}	1.376 ^{+0.002} / _{+0.000}	1.625 ^{+0.002} / _{+0.000}	1.375 ^{+0.000} / _{-.002}	1.624 ^{+0.000} / _{-.001}	1.625 ^{+0.002} / _{+0.000}
12501375-250B	1-3/8	1-5/8	1/4	.275 ^{+0.015} / _{+0.000}	1.375 ^{+0.000} / _{-.001}	1.376 ^{+0.002} / _{+0.000}	1.625 ^{+0.002} / _{+0.000}	1.375 ^{+0.000} / _{-.002}	1.624 ^{+0.000} / _{-.001}	1.625 ^{+0.002} / _{+0.000}
12501437-B	1-7/16	1-11/16	1/8	.138 ^{+0.015} / _{+0.000}	1.437 ^{+0.000} / _{-.001}	1.439 ^{+0.002} / _{+0.000}	1.688 ^{+0.002} / _{+0.000}	1.437 ^{+0.000} / _{-.002}	1.686 ^{+0.000} / _{-.001}	1.688 ^{+0.002} / _{+0.000}

POWERPAK



**4740 EASTPARK DRIVE
HOUSTON, TX 77028
T. 713-869-8003
F. 713-869-8725**

URETHANE POWERPAK

Part Number	A Nom. ID	B Nom. OD	C Nom. Ht	D GROOVE WIDTH	E ROD DIAMETER	F THROAT DIAMETER	G HOUSING DIAMETER	H GROOVE DIAMETER	I PISTON DIAMETER	J BORE DIAMETER
12501437-250B	1-7/16	1-11/16	1/4	.275 +.015 +.000	1.437 +.000 -.001	1.439 +.002 +.000	1.688 +.002 +.000	1.437 +.000 -.002	1.686 +.000 -.001	1.688 +.002 +.000
12501500	1-1/2	1-3/4	1/8	.138 +.015 +.000	1.500 +.000 -.001	1.501 +.002 +.000	1.750 +.002 +.000	1.500 +.000 -.002	1.749 +.000 -.001	1.750 +.002 +.000
12501500-B	1-1/2	1-3/4	1/8	.138 +.015 +.000	1.500 +.000 -.001	1.501 +.002 +.000	1.750 +.002 +.000	1.500 +.000 -.002	1.749 +.000 -.001	1.750 +.002 +.000
12501500-187B	1-1/2	1-3/4	3/16	.206 +.015 +.000	1.500 +.000 -.001	1.501 +.002 +.000	1.750 +.002 +.000	1.500 +.000 -.002	1.749 +.000 -.001	1.750 +.002 +.000
12501500-250B	1-1/2	1-3/4	1/4	.275 +.015 +.000	1.500 +.000 -.001	1.501 +.002 +.000	1.750 +.002 +.000	1.500 +.000 -.002	1.749 +.000 -.001	1.750 +.002 +.000
12501562	1-9/16	1-13/16	1/8	.138 +.015 +.000	1.562 +.000 -.001	1.564 +.002 +.000	1.813 +.002 +.000	1.562 +.000 -.002	1.811 +.000 -.001	1.813 +.002 +.000
12501625	1-5/8	1-7/8	1/8	.138 +.015 +.000	1.625 +.000 -.001	1.626 +.002 +.000	1.875 +.002 +.000	1.625 +.000 -.002	1.874 +.000 -.001	1.875 +.002 +.000
12501625-B	1-5/8	1-7/8	1/8	.138 +.015 +.000	1.625 +.000 -.001	1.626 +.002 +.000	1.875 +.002 +.000	1.625 +.000 -.002	1.874 +.000 -.001	1.875 +.002 +.000
12501687	1-11/16	1-15/16	1/8	.138 +.015 +.000	1.687 +.000 -.001	1.689 +.002 +.000	1.938 +.002 +.000	1.687 +.000 -.002	1.936 +.000 -.001	1.938 +.002 +.000
12501750	1-3/4	2	1/8	.138 +.015 +.000	1.750 +.000 -.001	1.751 +.002 +.000	2.000 +.002 +.000	1.750 +.000 -.002	1.999 +.000 -.001	2.000 +.002 +.000
12501750-B	1-3/4	2	1/8	.138 +.015 +.000	1.750 +.000 -.001	1.751 +.002 +.000	2.000 +.002 +.000	1.750 +.000 -.002	1.999 +.000 -.001	2.000 +.002 +.000
12501750-250B	1-3/4	2	1/4	.275 +.015 +.000	1.750 +.000 -.001	1.751 +.002 +.000	2.000 +.002 +.000	1.750 +.000 -.002	1.999 +.000 -.001	2.000 +.002 +.000
12501750-250	1-3/4	2	1/4	.275 +.015 +.000	1.750 +.000 -.001	1.751 +.002 +.000	2.000 +.002 +.000	1.750 +.000 -.002	1.999 +.000 -.001	2.000 +.002 +.000
12501875	1-7/8	2-1/8	1/8	.138 +.015 +.000	1.875 +.000 -.001	1.876 +.002 +.000	2.125 +.002 +.000	1.875 +.000 -.002	2.124 +.000 -.001	2.125 +.002 +.000
12502000	2	2-1/4	1/8	.138 +.015 +.000	2.000 +.000 -.001	2.001 +.002 +.000	2.250 +.002 +.000	2.000 +.000 -.002	2.249 +.000 -.001	2.250 +.002 +.000
12502000-250	2	2-1/4	1/4	.275 +.015 +.000	2.000 +.000 -.001	2.001 +.002 +.000	2.250 +.002 +.000	2.000 +.000 -.002	2.249 +.000 -.001	2.250 +.002 +.000
12502125	2-1/8	2-3/8	1/8	.138 +.015 +.000	2.125 +.000 -.001	2.126 +.002 +.000	2.375 +.002 +.000	2.125 +.000 -.002	2.374 +.000 -.001	2.375 +.002 +.000
12502125-250	2-1/8	2-3/8	1/4	.275 +.015 +.000	2.125 +.000 -.001	2.126 +.002 +.000	2.375 +.002 +.000	2.125 +.000 -.002	2.374 +.000 -.001	2.375 +.002 +.000
12502250	2-1/4	2-1/2	1/8	.138 +.015 +.000	2.250 +.000 -.001	2.251 +.002 +.000	2.500 +.002 +.000	2.250 +.000 -.002	2.499 +.000 -.001	2.500 +.002 +.000
12502250-375	2-1/4	2-1/2	3/8	.413 +.015 +.000	2.250 +.000 -.001	2.251 +.002 +.000	2.500 +.002 +.000	2.250 +.000 -.002	2.499 +.000 -.001	2.500 +.002 +.000
12502375	2-3/8	2-5/8	1/8	.138 +.015 +.000	2.375 +.000 -.001	2.376 +.002 +.000	2.625 +.002 +.000	2.375 +.000 -.002	2.624 +.000 -.001	2.625 +.002 +.000
12502375-187B	2-3/8	2-5/8	3/16	.206 +.015 +.000	2.375 +.000 -.001	2.376 +.002 +.000	2.625 +.002 +.000	2.375 +.000 -.002	2.624 +.000 -.001	2.625 +.002 +.000
12502500	2-1/2	2-3/4	1/8	.138 +.015 +.000	2.500 +.000 -.001	2.501 +.002 +.000	2.750 +.002 +.000	2.500 +.000 -.002	2.749 +.000 -.001	2.750 +.002 +.000
12502500-B	2-1/2	2-3/4	1/8	.138 +.015 +.000	2.500 +.000 -.001	2.501 +.002 +.000	2.750 +.002 +.000	2.500 +.000 -.002	2.749 +.000 -.001	2.750 +.002 +.000
12502500-250B	2-1/2	2-3/4	1/4	.275 +.015 +.000	2.500 +.000 -.001	2.501 +.002 +.000	2.750 +.002 +.000	2.500 +.000 -.002	2.749 +.000 -.001	2.750 +.002 +.000
12502750	2-3/4	3	1/8	.138 +.015 +.000	2.750 +.000 -.001	2.751 +.002 +.000	3.000 +.002 +.000	2.750 +.000 -.002	2.999 +.000 -.001	3.000 +.002 +.000
12502750-250B	2-3/4	3	1/4	.275 +.015 +.000	2.750 +.000 -.001	2.751 +.002 +.000	3.000 +.002 +.000	2.750 +.000 -.002	2.999 +.000 -.001	3.000 +.002 +.000
12502750-375B	2-3/4	3	3/8	.413 +.015 +.000	2.750 +.000 -.001	2.751 +.002 +.000	3.000 +.002 +.000	2.750 +.000 -.002	2.999 +.000 -.001	3.000 +.002 +.000
12502875	2-7/8	3-1/8	1/8	.138 +.015 +.000	2.875 +.000 -.001	2.876 +.002 +.000	3.125 +.002 +.000	2.875 +.000 -.002	3.124 +.000 -.001	3.125 +.002 +.000
12503000	3	3-1/4	1/8	.138 +.015 +.000	3.000 +.000 -.001	3.001 +.002 +.000	3.250 +.002 +.000	3.000 +.000 -.002	3.249 +.000 -.001	3.250 +.002 +.000
12503125	3-1/8	3-3/8	1/8	.138 +.015 +.000	3.125 +.000 -.001	3.126 +.002 +.000	3.375 +.002 +.000	3.125 +.000 -.002	3.374 +.000 -.001	3.375 +.002 +.000
12503250	3-1/4	3-1/2	1/8	.138 +.015 +.000	3.250 +.000 -.001	3.251 +.002 +.000	3.500 +.002 +.000	3.250 +.000 -.002	3.499 +.000 -.001	3.500 +.002 +.000
12503500	3-1/2	3-3/4	1/8	.138 +.015 +.000	3.500 +.000 -.001	3.501 +.002 +.000	3.750 +.002 +.000	3.500 +.000 -.002	3.749 +.000 -.001	3.750 +.002 +.000

POWERPAK



**4740 EASTPARK DRIVE
HOUSTON, TX 77028
T. 713-869-8003
F. 713-869-8725**

URETHANE POWERPAK

Part Number	A Nom. ID	B Nom. OD	C Nom. Ht	D GROOVE WIDTH	E ROD DIAMETER	F THROAT DIAMETER	G HOUSING DIAMETER	H GROOVE DIAMETER	I PISTON DIAMETER	J BORE DIAMETER	
12503625-187B	3-5/8	3-7/8	3/16	.206 ^{+0.015} / _{+0.000}	3.625 ^{+0.000} / _{-0.001}	3.626 ^{+0.002} / _{+0.000}	3.875 ^{+0.002} / _{+0.000}	3.625 ^{+0.000} / _{-0.002}	3.874 ^{+0.000} / _{-0.001}	3.875 ^{+0.002} / _{+0.000}	
12503750	3-3/4	4	1/8	.138 ^{+0.015} / _{+0.000}	3.750 ^{+0.000} / _{-0.001}	3.751 ^{+0.002} / _{+0.000}	4.000 ^{+0.002} / _{+0.000}	3.750 ^{+0.000} / _{-0.002}	3.999 ^{+0.000} / _{-0.001}	4.000 ^{+0.002} / _{+0.000}	
12504000	4	4-1/4	1/8	.138 ^{+0.015} / _{+0.000}	4.000 ^{+0.000} / _{-0.001}	4.001 ^{+0.002} / _{+0.000}	4.250 ^{+0.002} / _{+0.000}	4.000 ^{+0.000} / _{-0.002}	4.249 ^{+0.000} / _{-0.001}	4.250 ^{+0.002} / _{+0.000}	
12504250	4-1/4	4-1/2	1/8	.138 ^{+0.015} / _{+0.000}	4.250 ^{+0.000} / _{-0.001}	4.251 ^{+0.002} / _{+0.000}	4.500 ^{+0.002} / _{+0.000}	4.250 ^{+0.000} / _{-0.002}	4.499 ^{+0.000} / _{-0.001}	4.500 ^{+0.002} / _{+0.000}	
12504375	4-3/8	4-5/8	1/8	.138 ^{+0.015} / _{+0.000}	4.375 ^{+0.000} / _{-0.001}	4.376 ^{+0.002} / _{+0.000}	4.625 ^{+0.002} / _{+0.000}	4.375 ^{+0.000} / _{-0.002}	4.624 ^{+0.000} / _{-0.001}	4.625 ^{+0.002} / _{+0.000}	
12504500	4-1/2	4-3/4	1/8	.138 ^{+0.015} / _{+0.000}	4.500 ^{+0.000} / _{-0.001}	4.501 ^{+0.002} / _{+0.000}	4.750 ^{+0.002} / _{+0.000}	4.500 ^{+0.000} / _{-0.002}	4.749 ^{+0.000} / _{-0.001}	4.750 ^{+0.002} / _{+0.000}	
12504750	4-3/4	5	1/8	.138 ^{+0.015} / _{+0.000}	4.750 ^{+0.000} / _{-0.001}	4.751 ^{+0.002} / _{+0.000}	5.000 ^{+0.002} / _{+0.000}	4.750 ^{+0.000} / _{-0.002}	4.999 ^{+0.000} / _{-0.001}	5.000 ^{+0.002} / _{+0.000}	
5/32" C/S											
15601000	1	1-5/16	5/32	.172 ^{+0.015} / _{+0.000}	1.000 ^{+0.000} / _{-0.002}	1.001 ^{+0.002} / _{+0.000}	1.313 ^{+0.002} / _{+0.000}	1.000 ^{+0.000} / _{-0.002}	1.311 ^{+0.000} / _{-0.001}	1.313 ^{+0.002} / _{+0.000}	
15601000-B	1	1-5/16	5/32	.172 ^{+0.015} / _{+0.000}	1.000 ^{+0.000} / _{-0.002}	1.001 ^{+0.002} / _{+0.000}	1.313 ^{+0.002} / _{+0.000}	1.000 ^{+0.000} / _{-0.002}	1.311 ^{+0.000} / _{-0.001}	1.313 ^{+0.002} / _{+0.000}	
15601000-234B	1	1-5/16	.23	.253 ^{+0.015} / _{+0.000}	1.000 ^{+0.000} / _{-0.002}	1.001 ^{+0.002} / _{+0.000}	1.313 ^{+0.002} / _{+0.000}	1.000 ^{+0.000} / _{-0.002}	1.311 ^{+0.000} / _{-0.001}	1.313 ^{+0.002} / _{+0.000}	
15601125	1-1/8	1-7/16	5/32	.172 ^{+0.015} / _{+0.000}	1.125 ^{+0.000} / _{-0.002}	1.126 ^{+0.002} / _{+0.000}	1.438 ^{+0.002} / _{+0.000}	1.125 ^{+0.000} / _{-0.002}	1.436 ^{+0.000} / _{-0.001}	1.438 ^{+0.002} / _{+0.000}	
15601187	1-3/16	1-1/2	5/32	.172 ^{+0.015} / _{+0.000}	1.187 ^{+0.000} / _{-0.002}	1.189 ^{+0.002} / _{+0.000}	1.500 ^{+0.002} / _{+0.000}	1.187 ^{+0.000} / _{-0.002}	1.499 ^{+0.000} / _{-0.001}	1.500 ^{+0.002} / _{+0.000}	
15601250	1-1/4	1-9/16	5/32	.172 ^{+0.015} / _{+0.000}	1.250 ^{+0.000} / _{-0.002}	1.251 ^{+0.002} / _{+0.000}	1.563 ^{+0.002} / _{+0.000}	1.250 ^{+0.000} / _{-0.002}	1.561 ^{+0.000} / _{-0.001}	1.563 ^{+0.002} / _{+0.000}	
15601375	1-3/8	1-11/16	5/32	.172 ^{+0.015} / _{+0.000}	1.375 ^{+0.000} / _{-0.002}	1.376 ^{+0.002} / _{+0.000}	1.688 ^{+0.002} / _{+0.000}	1.375 ^{+0.000} / _{-0.002}	1.686 ^{+0.000} / _{-0.001}	1.688 ^{+0.002} / _{+0.000}	
15601375-B	1-3/8	1-11/16	5/32	.172 ^{+0.015} / _{+0.000}	1.375 ^{+0.000} / _{-0.002}	1.376 ^{+0.002} / _{+0.000}	1.688 ^{+0.002} / _{+0.000}	1.375 ^{+0.000} / _{-0.002}	1.686 ^{+0.000} / _{-0.001}	1.688 ^{+0.002} / _{+0.000}	
15601500-312B	1-1/2	1-13/16	5/16	.344 ^{+0.015} / _{+0.000}	1.500 ^{+0.000} / _{-0.002}	1.501 ^{+0.002} / _{+0.000}	1.813 ^{+0.002} / _{+0.000}	1.500 ^{+0.000} / _{-0.002}	1.811 ^{+0.000} / _{-0.001}	1.813 ^{+0.002} / _{+0.000}	
3/16" C/S											
18700187-B	3/16	9/16	3/16	.207 ^{+0.015} / _{+0.000}	.187 ^{+0.000} / _{-0.002}	.189 ^{+0.002} / _{+0.000}	.563 ^{+0.002} / _{+0.000}	.187 ^{+0.000} / _{-0.002}	.562 ^{+0.000} / _{-0.002}	.563 ^{+0.002} / _{+0.000}	
18700250-B	1/4	5/8	3/16	.207 ^{+0.015} / _{+0.000}	.250 ^{+0.000} / _{-0.002}	.251 ^{+0.002} / _{+0.000}	.625 ^{+0.002} / _{+0.000}	.250 ^{+0.000} / _{-0.002}	.624 ^{+0.000} / _{-0.002}	.625 ^{+0.002} / _{+0.000}	
18700312-B	5/16	11/16	3/16	.207 ^{+0.015} / _{+0.000}	.312 ^{+0.000} / _{-0.002}	.313 ^{+0.002} / _{+0.000}	.688 ^{+0.002} / _{+0.000}	.312 ^{+0.000} / _{-0.002}	.687 ^{+0.000} / _{-0.002}	.688 ^{+0.002} / _{+0.000}	
18700375	3/8	3/4	3/16	.207 ^{+0.015} / _{+0.000}	.375 ^{+0.000} / _{-0.002}	.376 ^{+0.002} / _{+0.000}	.750 ^{+0.002} / _{+0.000}	.375 ^{+0.000} / _{-0.002}	.749 ^{+0.000} / _{-0.002}	.750 ^{+0.002} / _{+0.000}	
18700375-B	3/8	3/4	3/16	.207 ^{+0.015} / _{+0.000}	.375 ^{+0.000} / _{-0.002}	.376 ^{+0.002} / _{+0.000}	.750 ^{+0.002} / _{+0.000}	.375 ^{+0.000} / _{-0.002}	.749 ^{+0.000} / _{-0.002}	.750 ^{+0.002} / _{+0.000}	
18700375-312B	3/8	3/4	5/16	.344 ^{+0.015} / _{+0.000}	.375 ^{+0.000} / _{-0.002}	.376 ^{+0.002} / _{+0.000}	.750 ^{+0.002} / _{+0.000}	.375 ^{+0.000} / _{-0.002}	.749 ^{+0.000} / _{-0.002}	.750 ^{+0.002} / _{+0.000}	
18700437	7/16	13/16	3/16	.207 ^{+0.015} / _{+0.000}	.437 ^{+0.000} / _{-0.002}	.439 ^{+0.002} / _{+0.000}	.813 ^{+0.002} / _{+0.000}	.437 ^{+0.000} / _{-0.002}	.812 ^{+0.000} / _{-0.002}	.813 ^{+0.002} / _{+0.000}	
18700500	1/2	7/8	3/16	.207 ^{+0.015} / _{+0.000}	.500 ^{+0.000} / _{-0.002}	.501 ^{+0.002} / _{+0.000}	.875 ^{+0.002} / _{+0.000}	.500 ^{+0.000} / _{-0.002}	.874 ^{+0.000} / _{-0.002}	.875 ^{+0.002} / _{+0.000}	
18700500-312B	1/2	7/8	5/16	.344 ^{+0.015} / _{+0.000}	.500 ^{+0.000} / _{-0.002}	.501 ^{+0.002} / _{+0.000}	.875 ^{+0.002} / _{+0.000}	.500 ^{+0.000} / _{-0.002}	.874 ^{+0.000} / _{-0.002}	.875 ^{+0.002} / _{+0.000}	
18700562	9/16	15/16	3/16	.207 ^{+0.015} / _{+0.000}	.562 ^{+0.000} / _{-0.002}	.564 ^{+0.002} / _{+0.000}	.938 ^{+0.002} / _{+0.000}	.562 ^{+0.000} / _{-0.002}	.937 ^{+0.000} / _{-0.002}	.938 ^{+0.002} / _{+0.000}	
18700625	5/8	1	3/16	.207 ^{+0.015} / _{+0.000}	.625 ^{+0.000} / _{-0.002}	.626 ^{+0.002} / _{+0.000}	1.000 ^{+0.002} / _{+0.000}	.625 ^{+0.000} / _{-0.002}	.999 ^{+0.000} / _{-0.002}	1.000 ^{+0.002} / _{+0.000}	
18700625-B	5/8	1	3/16	.207 ^{+0.015} / _{+0.000}	.625 ^{+0.000} / _{-0.002}	.626 ^{+0.002} / _{+0.000}	1.000 ^{+0.002} / _{+0.000}	.625 ^{+0.000} / _{-0.002}	.999 ^{+0.000} / _{-0.002}	1.000 ^{+0.002} / _{+0.000}	
18700625-312B	5/8	1	5/16	.344 ^{+0.015} / _{+0.000}	.625 ^{+0.000} / _{-0.002}	.626 ^{+0.002} / _{+0.000}	1.000 ^{+0.002} / _{+0.000}	.625 ^{+0.000} / _{-0.002}	.999 ^{+0.000} / _{-0.002}	1.000 ^{+0.002} / _{+0.000}	

POWERPAK



**4740 EASTPARK DRIVE
HOUSTON, TX 77028
T. 713-869-8003
F. 713-869-8725**

URETHANE POWERPAK

Part Number	A Nom. ID	B Nom. OD	C Nom. Ht	D GROOVE WIDTH	E ROD DIAMETER	F THROAT DIAMETER	G HOUSING DIAMETER	H GROOVE DIAMETER	I PISTON DIAMETER	J BORE DIAMETER
18700625-312	5/8	1	5/16	.344 ^{+0.015} / _{+0.000}	.625 ^{+0.000} / _{-.002}	.626 ^{+0.002} / _{+0.000}	1.000 ^{+0.002} / _{+0.000}	.625 ^{+0.000} / _{-.002}	.999 ^{+0.000} / _{-.002}	1.000 ^{+0.002} / _{+0.000}
18700687	11/16	1-1/16	3/16	.207 ^{+0.015} / _{+0.000}	.687 ^{+0.000} / _{-.002}	.689 ^{+0.002} / _{+0.000}	1.063 ^{+0.002} / _{+0.000}	.687 ^{+0.000} / _{-.002}	1.061 ^{+0.000} / _{-.002}	1.063 ^{+0.002} / _{+0.000}
18700750	3/4	1-1/8	3/16	.207 ^{+0.015} / _{+0.000}	.750 ^{+0.000} / _{-.002}	.751 ^{+0.002} / _{+0.000}	1.125 ^{+0.002} / _{+0.000}	.750 ^{+0.000} / _{-.002}	1.124 ^{+0.000} / _{-.002}	1.125 ^{+0.002} / _{+0.000}
18700750-B	3/4	1-1/8	3/16	.207 ^{+0.015} / _{+0.000}	.750 ^{+0.000} / _{-.002}	.751 ^{+0.002} / _{+0.000}	1.125 ^{+0.002} / _{+0.000}	.750 ^{+0.000} / _{-.002}	1.124 ^{+0.000} / _{-.002}	1.125 ^{+0.002} / _{+0.000}
18700750-312B	3/4	1-1/8	5/16	.344 ^{+0.015} / _{+0.000}	.750 ^{+0.000} / _{-.002}	.751 ^{+0.002} / _{+0.000}	1.125 ^{+0.002} / _{+0.000}	.750 ^{+0.000} / _{-.002}	1.124 ^{+0.000} / _{-.002}	1.125 ^{+0.002} / _{+0.000}
18700750-312	3/4	1-1/8	5/16	.344 ^{+0.015} / _{+0.000}	.750 ^{+0.000} / _{-.002}	.751 ^{+0.002} / _{+0.000}	1.125 ^{+0.002} / _{+0.000}	.750 ^{+0.000} / _{-.002}	1.124 ^{+0.000} / _{-.002}	1.125 ^{+0.002} / _{+0.000}
18700812	13/16	1-3/16	3/16	.207 ^{+0.015} / _{+0.000}	.812 ^{+0.000} / _{-.002}	.814 ^{+0.002} / _{+0.000}	1.188 ^{+0.002} / _{+0.000}	.812 ^{+0.000} / _{-.002}	1.187 ^{+0.000} / _{-.002}	1.188 ^{+0.002} / _{+0.000}
18700812-312B	13/16	1-3/16	5/16	.344 ^{+0.015} / _{+0.000}	.812 ^{+0.000} / _{-.002}	.814 ^{+0.002} / _{+0.000}	1.188 ^{+0.002} / _{+0.000}	.812 ^{+0.000} / _{-.002}	1.187 ^{+0.000} / _{-.002}	1.188 ^{+0.002} / _{+0.000}
18700875	7/8	1-1/4	3/16	.207 ^{+0.015} / _{+0.000}	.875 ^{+0.000} / _{-.002}	.876 ^{+0.002} / _{+0.000}	1.250 ^{+0.002} / _{+0.000}	.875 ^{+0.000} / _{-.002}	1.249 ^{+0.000} / _{-.002}	1.250 ^{+0.002} / _{+0.000}
18700875-B	7/8	1-1/4	3/16	.207 ^{+0.015} / _{+0.000}	.875 ^{+0.000} / _{-.002}	.876 ^{+0.002} / _{+0.000}	1.250 ^{+0.002} / _{+0.000}	.875 ^{+0.000} / _{-.002}	1.249 ^{+0.000} / _{-.002}	1.250 ^{+0.002} / _{+0.000}
18700875-312B	7/8	1-1/4	5/16	.344 ^{+0.015} / _{+0.000}	.875 ^{+0.000} / _{-.002}	.876 ^{+0.002} / _{+0.000}	1.250 ^{+0.002} / _{+0.000}	.875 ^{+0.000} / _{-.002}	1.249 ^{+0.000} / _{-.002}	1.250 ^{+0.002} / _{+0.000}
18700937	15/16	1-5/16	3/16	.207 ^{+0.015} / _{+0.000}	.937 ^{+0.000} / _{-.002}	.939 ^{+0.002} / _{+0.000}	1.313 ^{+0.002} / _{+0.000}	.937 ^{+0.000} / _{-.002}	1.311 ^{+0.000} / _{-.002}	1.313 ^{+0.002} / _{+0.000}
18701000	1	1-3/8	3/16	.207 ^{+0.015} / _{+0.000}	1.000 ^{+0.000} / _{-.002}	1.001 ^{+0.002} / _{+0.000}	1.375 ^{+0.002} / _{+0.000}	1.000 ^{+0.000} / _{-.002}	1.374 ^{+0.000} / _{-.002}	1.375 ^{+0.002} / _{+0.000}
18701000-B	1	1-3/8	3/16	.207 ^{+0.015} / _{+0.000}	1.000 ^{+0.000} / _{-.002}	1.001 ^{+0.002} / _{+0.000}	1.375 ^{+0.002} / _{+0.000}	1.000 ^{+0.000} / _{-.002}	1.374 ^{+0.000} / _{-.002}	1.375 ^{+0.002} / _{+0.000}
18701000-250B	1	1-3/8	1/4	.275 ^{+0.015} / _{+0.000}	1.000 ^{+0.000} / _{-.002}	1.001 ^{+0.002} / _{+0.000}	1.375 ^{+0.002} / _{+0.000}	1.000 ^{+0.000} / _{-.002}	1.374 ^{+0.000} / _{-.002}	1.375 ^{+0.002} / _{+0.000}
18701000-312B	1	1-3/8	5/16	.344 ^{+0.015} / _{+0.000}	1.000 ^{+0.000} / _{-.002}	1.001 ^{+0.002} / _{+0.000}	1.375 ^{+0.002} / _{+0.000}	1.000 ^{+0.000} / _{-.002}	1.374 ^{+0.000} / _{-.002}	1.375 ^{+0.002} / _{+0.000}
18701000-312	1	1-3/8	5/16	.344 ^{+0.015} / _{+0.000}	1.000 ^{+0.000} / _{-.002}	1.001 ^{+0.002} / _{+0.000}	1.375 ^{+0.002} / _{+0.000}	1.000 ^{+0.000} / _{-.002}	1.374 ^{+0.000} / _{-.002}	1.375 ^{+0.002} / _{+0.000}
18701000-375B	1	1-3/8	3/8	.413 ^{+0.015} / _{+0.000}	1.000 ^{+0.000} / _{-.002}	1.001 ^{+0.002} / _{+0.000}	1.375 ^{+0.002} / _{+0.000}	1.000 ^{+0.000} / _{-.002}	1.374 ^{+0.000} / _{-.002}	1.375 ^{+0.002} / _{+0.000}
18701062	1-1/16	1-7/16	3/16	.207 ^{+0.015} / _{+0.000}	1.062 ^{+0.000} / _{-.002}	1.063 ^{+0.002} / _{+0.000}	1.438 ^{+0.002} / _{+0.000}	1.062 ^{+0.000} / _{-.002}	1.437 ^{+0.000} / _{-.002}	1.438 ^{+0.002} / _{+0.000}
18701062-312B	1-1/16	1-7/16	5/16	.344 ^{+0.015} / _{+0.000}	1.062 ^{+0.000} / _{-.002}	1.063 ^{+0.002} / _{+0.000}	1.438 ^{+0.002} / _{+0.000}	1.062 ^{+0.000} / _{-.002}	1.436 ^{+0.000} / _{-.002}	1.438 ^{+0.002} / _{+0.000}
18701125	1-1/8	1-1/2	3/16	.207 ^{+0.015} / _{+0.000}	1.125 ^{+0.000} / _{-.002}	1.126 ^{+0.002} / _{+0.000}	1.500 ^{+0.002} / _{+0.000}	1.125 ^{+0.000} / _{-.002}	1.499 ^{+0.000} / _{-.002}	1.500 ^{+0.002} / _{+0.000}
18701125-B	1-1/8	1-1/2	3/16	.207 ^{+0.015} / _{+0.000}	1.125 ^{+0.000} / _{-.002}	1.126 ^{+0.002} / _{+0.000}	1.500 ^{+0.002} / _{+0.000}	1.125 ^{+0.000} / _{-.002}	1.499 ^{+0.000} / _{-.002}	1.500 ^{+0.002} / _{+0.000}
18701125-250B	1-1/8	1-1/2	1/4	.275 ^{+0.015} / _{+0.000}	1.125 ^{+0.000} / _{-.002}	1.126 ^{+0.002} / _{+0.000}	1.500 ^{+0.002} / _{+0.000}	1.125 ^{+0.000} / _{-.002}	1.499 ^{+0.000} / _{-.002}	1.500 ^{+0.002} / _{+0.000}
18701125-312B	1-1/8	1-1/2	5/16	.344 ^{+0.015} / _{+0.000}	1.125 ^{+0.000} / _{-.002}	1.126 ^{+0.002} / _{+0.000}	1.500 ^{+0.002} / _{+0.000}	1.125 ^{+0.000} / _{-.002}	1.499 ^{+0.000} / _{-.002}	1.500 ^{+0.002} / _{+0.000}
18701125-312	1-1/8	1-1/2	5/16	.344 ^{+0.015} / _{+0.000}	1.125 ^{+0.000} / _{-.002}	1.126 ^{+0.002} / _{+0.000}	1.500 ^{+0.002} / _{+0.000}	1.125 ^{+0.000} / _{-.002}	1.499 ^{+0.000} / _{-.002}	1.500 ^{+0.002} / _{+0.000}
18701125-375B	1-1/8	1-1/2	3/8	.413 ^{+0.015} / _{+0.000}	1.125 ^{+0.000} / _{-.002}	1.126 ^{+0.002} / _{+0.000}	1.500 ^{+0.002} / _{+0.000}	1.125 ^{+0.000} / _{-.002}	1.499 ^{+0.000} / _{-.002}	1.500 ^{+0.002} / _{+0.000}
18701187	1-3/16	1-9/16	3/16	.207 ^{+0.015} / _{+0.000}	1.187 ^{+0.000} / _{-.002}	1.189 ^{+0.002} / _{+0.000}	1.563 ^{+0.002} / _{+0.000}	1.187 ^{+0.000} / _{-.002}	1.561 ^{+0.000} / _{-.002}	1.563 ^{+0.002} / _{+0.000}
18701187-250B	1-3/16	1-9/16	1/4	.275 ^{+0.015} / _{+0.000}	1.187 ^{+0.000} / _{-.002}	1.189 ^{+0.002} / _{+0.000}	1.563 ^{+0.002} / _{+0.000}	1.187 ^{+0.000} / _{-.002}	1.561 ^{+0.000} / _{-.002}	1.563 ^{+0.002} / _{+0.000}
18701187-312B	1-3/16	1-9/16	5/16	.344 ^{+0.015} / _{+0.000}	1.187 ^{+0.000} / _{-.002}	1.189 ^{+0.002} / _{+0.000}	1.563 ^{+0.002} / _{+0.000}	1.187 ^{+0.000} / _{-.002}	1.561 ^{+0.000} / _{-.002}	1.563 ^{+0.002} / _{+0.000}
18701250	1-1/4	1-5/8	3/16	.207 ^{+0.015} / _{+0.000}	1.250 ^{+0.000} / _{-.002}	1.251 ^{+0.002} / _{+0.000}	1.625 ^{+0.002} / _{+0.000}	1.250 ^{+0.000} / _{-.002}	1.624 ^{+0.000} / _{-.002}	1.625 ^{+0.002} / _{+0.000}
18701250-B	1-1/4	1-5/8	3/16	.207 ^{+0.015} / _{+0.000}	1.250 ^{+0.000} / _{-.002}	1.251 ^{+0.002} / _{+0.000}	1.625 ^{+0.002} / _{+0.000}	1.250 ^{+0.000} / _{-.002}	1.624 ^{+0.000} / _{-.002}	1.625 ^{+0.002} / _{+0.000}
18701250-250B	1-1/4	1-5/8	1/4	.275 ^{+0.015} / _{+0.000}	1.250 ^{+0.000} / _{-.002}	1.251 ^{+0.002} / _{+0.000}	1.625 ^{+0.002} / _{+0.000}	1.250 ^{+0.000} / _{-.002}	1.624 ^{+0.000} / _{-.002}	1.625 ^{+0.002} / _{+0.000}
18701250-266B	1-1/4	1-5/8	.26	.286 ^{+0.015} / _{+0.000}	1.250 ^{+0.000} / _{-.002}	1.251 ^{+0.002} / _{+0.000}	1.625 ^{+0.002} / _{+0.000}	1.250 ^{+0.000} / _{-.002}	1.624 ^{+0.000} / _{-.002}	1.625 ^{+0.002} / _{+0.000}

POWERPAK



**4740 EASTPARK DRIVE
HOUSTON, TX 77028
T. 713-869-8003
F. 713-869-8725**

URETHANE POWERPAK

Part Number	A Nom. ID	B Nom. OD	C Nom. Ht	D GROOVE WIDTH	E ROD DIAMETER	F THROAT DIAMETER	G HOUSING DIAMETER	H GROOVE DIAMETER	I PISTON DIAMETER	J BORE DIAMETER
18701250-312B	1-1/4	1-5/8	5/16	.344 +.015 +.000	1.250 +.000 -.002	1.251 +.002 +.000	1.625 +.002 +.000	1.250 +.000 -.002	1.624 +.000 -.002	1.625 +.002 +.000
18701250-312	1-1/4	1-5/8	5/16	.344 +.015 +.000	1.250 +.000 -.002	1.251 +.002 +.000	1.625 +.002 +.000	1.250 +.000 -.002	1.624 +.000 -.002	1.625 +.002 +.000
18701250-375B	1-1/4	1-5/8	3/8	.413 +.015 +.000	1.250 +.000 -.002	1.251 +.002 +.000	1.625 +.002 +.000	1.250 +.000 -.002	1.624 +.000 -.002	1.625 +.002 +.000
18701312	1-5/16	1-11/16	3/16	.207 +.015 +.000	1.312 +.000 -.002	1.313 +.002 +.000	1.688 +.002 +.000	1.312 +.000 -.002	1.686 +.000 -.002	1.688 +.002 +.000
18701312-B	1-5/16	1-11/16	3/16	.207 +.015 +.000	1.312 +.000 -.002	1.313 +.002 +.000	1.688 +.002 +.000	1.312 +.000 -.002	1.686 +.000 -.002	1.688 +.002 +.000
18701312-312B	1-5/16	1-11/16	5/16	.344 +.015 +.000	1.312 +.000 -.002	1.313 +.002 +.000	1.688 +.002 +.000	1.312 +.000 -.002	1.686 +.000 -.002	1.688 +.002 +.000
18701375	1-3/8	1-3/4	3/16	.207 +.015 +.000	1.375 +.000 -.002	1.376 +.002 +.000	1.750 +.002 +.000	1.375 +.000 -.002	1.749 +.000 -.002	1.750 +.002 +.000
18701375-B	1-3/8	1-3/4	3/16	.207 +.015 +.000	1.375 +.000 -.002	1.376 +.002 +.000	1.750 +.002 +.000	1.375 +.000 -.002	1.749 +.000 -.002	1.750 +.002 +.000
18701375-250B	1-3/8	1-3/4	1/4	.275 +.015 +.000	1.375 +.000 -.002	1.376 +.002 +.000	1.750 +.002 +.000	1.375 +.000 -.002	1.749 +.000 -.002	1.750 +.002 +.000
18701375-312B	1-3/8	1-3/4	5/16	.344 +.015 +.000	1.375 +.000 -.002	1.376 +.002 +.000	1.750 +.002 +.000	1.375 +.000 -.002	1.749 +.000 -.002	1.750 +.002 +.000
18701375-312	1-3/8	1-3/4	5/16	.344 +.015 +.000	1.375 +.000 -.002	1.376 +.002 +.000	1.750 +.002 +.000	1.375 +.000 -.002	1.749 +.000 -.002	1.750 +.002 +.000
18701375-375B	1-3/8	1-3/4	3/8	.413 +.015 +.000	1.375 +.000 -.002	1.376 +.002 +.000	1.750 +.002 +.000	1.375 +.000 -.002	1.749 +.000 -.002	1.750 +.002 +.000
18701437	1-7/16	1-13/16	3/16	.207 +.015 +.000	1.437 +.000 -.002	1.439 +.002 +.000	1.813 +.002 +.000	1.437 +.000 -.002	1.811 +.000 -.002	1.813 +.002 +.000
18701500	1-1/2	1-7/8	3/16	.207 +.015 +.000	1.500 +.000 -.002	1.501 +.002 +.000	1.875 +.002 +.000	1.500 +.000 -.002	1.874 +.000 -.002	1.875 +.002 +.000
18701500-B	1-1/2	1-7/8	3/16	.207 +.015 +.000	1.500 +.000 -.002	1.501 +.002 +.000	1.875 +.002 +.000	1.500 +.000 -.002	1.874 +.000 -.002	1.875 +.002 +.000
18701500-250B	1-1/2	1-7/8	1/4	.275 +.015 +.000	1.500 +.000 -.002	1.501 +.002 +.000	1.875 +.002 +.000	1.500 +.000 -.002	1.874 +.000 -.002	1.875 +.002 +.000
18701500-266B	1-1/2	1-7/8	.26	.286 +.015 +.000	1.500 +.000 -.002	1.501 +.002 +.000	1.875 +.002 +.000	1.500 +.000 -.002	1.874 +.000 -.002	1.875 +.002 +.000
18701500-290F	1-1/2	1-7/8	19/64	.327 +.015 +.000	1.500 +.000 -.002	1.501 +.002 +.000	1.875 +.002 +.000	1.500 +.000 -.002	1.874 +.000 -.002	1.875 +.002 +.000
18701500-312B	1-1/2	1-7/8	5/16	.344 +.015 +.000	1.500 +.000 -.002	1.501 +.002 +.000	1.875 +.002 +.000	1.500 +.000 -.002	1.874 +.000 -.002	1.875 +.002 +.000
18701500-375B	1-1/2	1-7/8	3/8	.413 +.015 +.000	1.500 +.000 -.002	1.501 +.002 +.000	1.875 +.002 +.000	1.500 +.000 -.002	1.874 +.000 -.002	1.875 +.002 +.000
18701500-375	1-1/2	1-7/8	3/8	.413 +.015 +.000	1.500 +.000 -.002	1.501 +.002 +.000	1.875 +.002 +.000	1.500 +.000 -.002	1.874 +.000 -.002	1.875 +.002 +.000
18701562-375B	1-9/16	1-15/16	3/8	.413 +.015 +.000	1.562 +.000 -.002	1.564 +.002 +.000	1.938 +.002 +.000	1.562 +.000 -.002	1.936 +.000 -.002	1.938 +.002 +.000
18701625	1-5/8	2	3/16	.207 +.015 +.000	1.625 +.000 -.002	1.626 +.002 +.000	2.000 +.002 +.000	1.625 +.000 -.002	1.999 +.000 -.002	2.000 +.002 +.000
18701625-B	1-5/8	2	3/16	.207 +.015 +.000	1.625 +.000 -.002	1.626 +.002 +.000	2.000 +.002 +.000	1.625 +.000 -.002	1.999 +.000 -.002	2.000 +.002 +.000
18701625-250B	1-5/8	2	1/4	.275 +.015 +.000	1.625 +.000 -.002	1.626 +.002 +.000	2.000 +.002 +.000	1.625 +.000 -.002	1.999 +.000 -.002	2.000 +.002 +.000
18701625-312B	1-5/8	2	5/16	.344 +.015 +.000	1.625 +.000 -.002	1.626 +.002 +.000	2.000 +.002 +.000	1.625 +.000 -.002	1.999 +.000 -.002	2.000 +.002 +.000
18701625-375B	1-5/8	2	3/8	.413 +.015 +.000	1.625 +.000 -.002	1.626 +.002 +.000	2.000 +.002 +.000	1.625 +.000 -.002	1.999 +.000 -.002	2.000 +.002 +.000
18701625-375	1-5/8	2	3/8	.413 +.015 +.000	1.625 +.000 -.002	1.626 +.002 +.000	2.000 +.002 +.000	1.625 +.000 -.002	1.999 +.000 -.002	2.000 +.002 +.000
18701687	1-11/16	2-1/16	3/16	.207 +.015 +.000	1.687 +.000 -.002	1.689 +.002 +.000	2.063 +.002 +.000	1.687 +.000 -.002	2.061 +.000 -.002	2.063 +.002 +.000
18701750	1-3/4	2-1/8	3/16	.207 +.015 +.000	1.750 +.000 -.002	1.751 +.002 +.000	2.125 +.002 +.000	1.750 +.000 -.002	2.124 +.000 -.002	2.125 +.002 +.000
18701750-B	1-3/4	2-1/8	3/16	.207 +.015 +.000	1.750 +.000 -.002	1.751 +.002 +.000	2.125 +.002 +.000	1.750 +.000 -.002	2.124 +.000 -.002	2.125 +.002 +.000
18701750-250B	1-3/4	2-1/8	1/4	.275 +.015 +.000	1.750 +.000 -.002	1.751 +.002 +.000	2.125 +.002 +.000	1.750 +.000 -.002	2.124 +.000 -.002	2.125 +.002 +.000

POWERPAK



**4740 EASTPARK DRIVE
HOUSTON, TX 77028
T. 713-869-8003
F. 713-869-8725**

URETHANE POWERPAK

Part Number	A Nom. ID	B Nom. OD	C Nom. Ht	D GROOVE WIDTH	E ROD DIAMETER	F THROAT DIAMETER	G HOUSING DIAMETER	H GROOVE DIAMETER	I PISTON DIAMETER	J BORE DIAMETER
18701750-266B	1-3/4	2-1/8	.26	.286 ^{+0.015} / _{+0.000}	1.750 ^{+0.000} / _{-0.002}	1.751 ^{+0.002} / _{+0.000}	2.125 ^{+0.002} / _{+0.000}	1.750 ^{+0.000} / _{-0.002}	2.124 ^{+0.000} / _{-0.002}	2.125 ^{+0.002} / _{+0.000}
18701750-312B	1-3/4	2-1/8	5/16	.344 ^{+0.015} / _{+0.000}	1.750 ^{+0.000} / _{-0.002}	1.751 ^{+0.002} / _{+0.000}	2.125 ^{+0.002} / _{+0.000}	1.750 ^{+0.000} / _{-0.002}	2.124 ^{+0.000} / _{-0.002}	2.125 ^{+0.002} / _{+0.000}
18701750-312	1-3/4	2-1/8	5/16	.344 ^{+0.015} / _{+0.000}	1.750 ^{+0.000} / _{-0.002}	1.751 ^{+0.002} / _{+0.000}	2.125 ^{+0.002} / _{+0.000}	1.750 ^{+0.000} / _{-0.002}	2.124 ^{+0.000} / _{-0.002}	2.125 ^{+0.002} / _{+0.000}
18701750-375B	1-3/4	2-1/8	3/8	.413 ^{+0.015} / _{+0.000}	1.750 ^{+0.000} / _{-0.002}	1.751 ^{+0.002} / _{+0.000}	2.125 ^{+0.002} / _{+0.000}	1.750 ^{+0.000} / _{-0.002}	2.124 ^{+0.000} / _{-0.002}	2.125 ^{+0.002} / _{+0.000}
18701750-375	1-3/4	2-1/8	3/8	.413 ^{+0.015} / _{+0.000}	1.750 ^{+0.000} / _{-0.002}	1.751 ^{+0.002} / _{+0.000}	2.125 ^{+0.002} / _{+0.000}	1.750 ^{+0.000} / _{-0.002}	2.124 ^{+0.000} / _{-0.002}	2.125 ^{+0.002} / _{+0.000}
18701875	1-7/8	2-1/4	3/16	.207 ^{+0.015} / _{+0.000}	1.875 ^{+0.000} / _{-0.002}	1.876 ^{+0.002} / _{+0.000}	2.250 ^{+0.002} / _{+0.000}	1.875 ^{+0.000} / _{-0.002}	2.249 ^{+0.000} / _{-0.002}	2.250 ^{+0.002} / _{+0.000}
18701875-B	1-7/8	2-1/4	3/16	.207 ^{+0.015} / _{+0.000}	1.875 ^{+0.000} / _{-0.002}	1.876 ^{+0.002} / _{+0.000}	2.250 ^{+0.002} / _{+0.000}	1.875 ^{+0.000} / _{-0.002}	2.249 ^{+0.000} / _{-0.002}	2.250 ^{+0.002} / _{+0.000}
18701875-250	1-7/8	2-1/4	1/4	.275 ^{+0.015} / _{+0.000}	1.875 ^{+0.000} / _{-0.002}	1.876 ^{+0.002} / _{+0.000}	2.250 ^{+0.002} / _{+0.000}	1.875 ^{+0.000} / _{-0.002}	2.249 ^{+0.000} / _{-0.002}	2.250 ^{+0.002} / _{+0.000}
18701875-266B	1-7/8	2-1/4	.26	.286 ^{+0.015} / _{+0.000}	1.875 ^{+0.000} / _{-0.002}	1.876 ^{+0.002} / _{+0.000}	2.250 ^{+0.002} / _{+0.000}	1.875 ^{+0.000} / _{-0.002}	2.249 ^{+0.000} / _{-0.002}	2.250 ^{+0.002} / _{+0.000}
18701875-312B	1-7/8	2-1/4	5/16	.344 ^{+0.015} / _{+0.000}	1.875 ^{+0.000} / _{-0.002}	1.876 ^{+0.002} / _{+0.000}	2.250 ^{+0.002} / _{+0.000}	1.875 ^{+0.000} / _{-0.002}	2.249 ^{+0.000} / _{-0.002}	2.250 ^{+0.002} / _{+0.000}
18701875-375B	1-7/8	2-1/4	3/8	.413 ^{+0.015} / _{+0.000}	1.875 ^{+0.000} / _{-0.002}	1.876 ^{+0.002} / _{+0.000}	2.250 ^{+0.002} / _{+0.000}	1.875 ^{+0.000} / _{-0.002}	2.249 ^{+0.000} / _{-0.002}	2.250 ^{+0.002} / _{+0.000}
18701875-375	1-7/8	2-1/4	3/8	.413 ^{+0.015} / _{+0.000}	1.875 ^{+0.000} / _{-0.002}	1.876 ^{+0.002} / _{+0.000}	2.250 ^{+0.002} / _{+0.000}	1.875 ^{+0.000} / _{-0.002}	2.249 ^{+0.000} / _{-0.002}	2.250 ^{+0.002} / _{+0.000}
18702000	2	2-3/8	3/16	.207 ^{+0.015} / _{+0.000}	2.000 ^{+0.000} / _{-0.002}	2.001 ^{+0.002} / _{+0.000}	2.375 ^{+0.002} / _{+0.000}	2.000 ^{+0.000} / _{-0.002}	2.374 ^{+0.000} / _{-0.002}	2.375 ^{+0.002} / _{+0.000}
18702000-B	2	2-3/8	3/16	.207 ^{+0.015} / _{+0.000}	2.000 ^{+0.000} / _{-0.002}	2.001 ^{+0.002} / _{+0.000}	2.375 ^{+0.002} / _{+0.000}	2.000 ^{+0.000} / _{-0.002}	2.374 ^{+0.000} / _{-0.002}	2.375 ^{+0.002} / _{+0.000}
18702000-250B	2	2-3/8	1/4	.275 ^{+0.015} / _{+0.000}	2.000 ^{+0.000} / _{-0.002}	2.001 ^{+0.002} / _{+0.000}	2.375 ^{+0.002} / _{+0.000}	2.000 ^{+0.000} / _{-0.002}	2.374 ^{+0.000} / _{-0.002}	2.375 ^{+0.002} / _{+0.000}
18702000-275	2	2-3/8	.27	.297 ^{+0.015} / _{+0.000}	2.000 ^{+0.000} / _{-0.002}	2.001 ^{+0.002} / _{+0.000}	2.375 ^{+0.002} / _{+0.000}	2.000 ^{+0.000} / _{-0.002}	2.374 ^{+0.000} / _{-0.002}	2.375 ^{+0.002} / _{+0.000}
18702000-312B	2	2-3/8	5/16	.344 ^{+0.015} / _{+0.000}	2.000 ^{+0.000} / _{-0.002}	2.001 ^{+0.002} / _{+0.000}	2.375 ^{+0.002} / _{+0.000}	2.000 ^{+0.000} / _{-0.002}	2.374 ^{+0.000} / _{-0.002}	2.375 ^{+0.002} / _{+0.000}
18702000-375B	2	2-3/8	3/8	.413 ^{+0.015} / _{+0.000}	2.000 ^{+0.000} / _{-0.002}	2.001 ^{+0.002} / _{+0.000}	2.375 ^{+0.002} / _{+0.000}	2.000 ^{+0.000} / _{-0.002}	2.374 ^{+0.000} / _{-0.002}	2.375 ^{+0.002} / _{+0.000}
18702000-375	2	2-3/8	3/8	.413 ^{+0.015} / _{+0.000}	2.000 ^{+0.000} / _{-0.002}	2.001 ^{+0.002} / _{+0.000}	2.375 ^{+0.002} / _{+0.000}	2.000 ^{+0.000} / _{-0.002}	2.374 ^{+0.000} / _{-0.002}	2.375 ^{+0.002} / _{+0.000}
18702062	2-1/16	2-7/16	3/16	.207 ^{+0.015} / _{+0.000}	2.062 ^{+0.000} / _{-0.002}	2.063 ^{+0.002} / _{+0.000}	2.438 ^{+0.002} / _{+0.000}	2.062 ^{+0.000} / _{-0.002}	2.436 ^{+0.000} / _{-0.002}	2.438 ^{+0.002} / _{+0.000}
18702125	2-1/8	2-1/2	3/16	.207 ^{+0.015} / _{+0.000}	2.125 ^{+0.000} / _{-0.002}	2.126 ^{+0.002} / _{+0.000}	2.500 ^{+0.002} / _{+0.000}	2.125 ^{+0.000} / _{-0.002}	2.499 ^{+0.000} / _{-0.002}	2.500 ^{+0.002} / _{+0.000}
18702125-B	2-1/8	2-1/2	3/16	.207 ^{+0.015} / _{+0.000}	2.125 ^{+0.000} / _{-0.002}	2.126 ^{+0.002} / _{+0.000}	2.500 ^{+0.002} / _{+0.000}	2.125 ^{+0.000} / _{-0.002}	2.499 ^{+0.000} / _{-0.002}	2.500 ^{+0.002} / _{+0.000}
18702125-250B	2-1/8	2-1/2	1/4	.275 ^{+0.015} / _{+0.000}	2.125 ^{+0.000} / _{-0.002}	2.126 ^{+0.002} / _{+0.000}	2.500 ^{+0.002} / _{+0.000}	2.125 ^{+0.000} / _{-0.002}	2.499 ^{+0.000} / _{-0.002}	2.500 ^{+0.002} / _{+0.000}
18702125-266B	2-1/8	2-1/2	.26	.286 ^{+0.015} / _{+0.000}	2.125 ^{+0.000} / _{-0.002}	2.126 ^{+0.002} / _{+0.000}	2.500 ^{+0.002} / _{+0.000}	2.125 ^{+0.000} / _{-0.002}	2.499 ^{+0.000} / _{-0.002}	2.500 ^{+0.002} / _{+0.000}
18702125-312B	2-1/8	2-1/2	5/16	.344 ^{+0.015} / _{+0.000}	2.125 ^{+0.000} / _{-0.002}	2.126 ^{+0.002} / _{+0.000}	2.500 ^{+0.002} / _{+0.000}	2.125 ^{+0.000} / _{-0.002}	2.499 ^{+0.000} / _{-0.002}	2.500 ^{+0.002} / _{+0.000}
18702125-375B	2-1/8	2-1/2	3/8	.413 ^{+0.015} / _{+0.000}	2.125 ^{+0.000} / _{-0.002}	2.126 ^{+0.002} / _{+0.000}	2.500 ^{+0.002} / _{+0.000}	2.125 ^{+0.000} / _{-0.002}	2.499 ^{+0.000} / _{-0.002}	2.500 ^{+0.002} / _{+0.000}
18702125-375	2-1/8	2-1/2	3/8	.413 ^{+0.015} / _{+0.000}	2.125 ^{+0.000} / _{-0.002}	2.126 ^{+0.002} / _{+0.000}	2.500 ^{+0.002} / _{+0.000}	2.125 ^{+0.000} / _{-0.002}	2.499 ^{+0.000} / _{-0.002}	2.500 ^{+0.002} / _{+0.000}
18702187-375B	2-3/16	2-9/16	3/8	.413 ^{+0.015} / _{+0.000}	2.187 ^{+0.000} / _{-0.002}	2.189 ^{+0.002} / _{+0.000}	2.563 ^{+0.002} / _{+0.000}	2.187 ^{+0.000} / _{-0.002}	2.561 ^{+0.000} / _{-0.002}	2.563 ^{+0.002} / _{+0.000}
18702250	2-1/4	2-5/8	3/16	.207 ^{+0.015} / _{+0.000}	2.250 ^{+0.000} / _{-0.002}	2.251 ^{+0.002} / _{+0.000}	2.625 ^{+0.002} / _{+0.000}	2.250 ^{+0.000} / _{-0.002}	2.624 ^{+0.000} / _{-0.002}	2.625 ^{+0.002} / _{+0.000}
18702250-B	2-1/4	2-5/8	3/16	.207 ^{+0.015} / _{+0.000}	2.250 ^{+0.000} / _{-0.002}	2.251 ^{+0.002} / _{+0.000}	2.625 ^{+0.002} / _{+0.000}	2.250 ^{+0.000} / _{-0.002}	2.624 ^{+0.000} / _{-0.002}	2.625 ^{+0.002} / _{+0.000}
18702250-312B	2-1/4	2-5/8	5/16	.344 ^{+0.015} / _{+0.000}	2.250 ^{+0.000} / _{-0.002}	2.251 ^{+0.002} / _{+0.000}	2.625 ^{+0.002} / _{+0.000}	2.250 ^{+0.000} / _{-0.002}	2.624 ^{+0.000} / _{-0.002}	2.625 ^{+0.002} / _{+0.000}

POWERPAK



**4740 EASTPARK DRIVE
HOUSTON, TX 77028
T. 713-869-8003
F. 713-869-8725**

URETHANE POWERPAK

Part Number	A Nom. ID	B Nom. OD	C Nom. Ht	D GROOVE WIDTH	E ROD DIAMETER	F THROAT DIAMETER	G HOUSING DIAMETER	H GROOVE DIAMETER	I PISTON DIAMETER	J BORE DIAMETER
18702250-375B	2-1/4	2-5/8	3/8	.413 ^{+0.015} / _{+0.000}	2.250 ^{+0.000} / _{-.002}	2.251 ^{+0.002} / _{+0.000}	2.625 ^{+0.002} / _{+0.000}	2.250 ^{+0.000} / _{-.002}	2.624 ^{+0.000} / _{-.002}	2.625 ^{+0.002} / _{+0.000}
18702375	2-3/8	2-3/4	3/16	.207 ^{+0.015} / _{+0.000}	2.375 ^{+0.000} / _{-.002}	2.376 ^{+0.002} / _{+0.000}	2.750 ^{+0.002} / _{+0.000}	2.375 ^{+0.000} / _{-.002}	2.749 ^{+0.000} / _{-.002}	2.750 ^{+0.002} / _{+0.000}
18702375-B	2-3/8	2-3/4	3/16	.207 ^{+0.015} / _{+0.000}	2.375 ^{+0.000} / _{-.002}	2.376 ^{+0.002} / _{+0.000}	2.750 ^{+0.002} / _{+0.000}	2.375 ^{+0.000} / _{-.002}	2.749 ^{+0.000} / _{-.002}	2.750 ^{+0.002} / _{+0.000}
18702375-250B	2-3/8	2-3/4	1/4	.275 ^{+0.015} / _{+0.000}	2.375 ^{+0.000} / _{-.002}	2.376 ^{+0.002} / _{+0.000}	2.750 ^{+0.002} / _{+0.000}	2.375 ^{+0.000} / _{-.002}	2.749 ^{+0.000} / _{-.002}	2.750 ^{+0.002} / _{+0.000}
18702375-375B	2-3/8	2-3/4	3/8	.413 ^{+0.015} / _{+0.000}	2.375 ^{+0.000} / _{-.002}	2.376 ^{+0.002} / _{+0.000}	2.750 ^{+0.002} / _{+0.000}	2.375 ^{+0.000} / _{-.002}	2.749 ^{+0.000} / _{-.002}	2.750 ^{+0.002} / _{+0.000}
18702375-500B	2-3/8	2-3/4	1/2	.550 ^{+0.015} / _{+0.000}	2.375 ^{+0.000} / _{-.002}	2.376 ^{+0.002} / _{+0.000}	2.750 ^{+0.002} / _{+0.000}	2.375 ^{+0.000} / _{-.002}	2.749 ^{+0.000} / _{-.002}	2.750 ^{+0.002} / _{+0.000}
18702500	2-1/2	2-7/8	3/16	.207 ^{+0.015} / _{+0.000}	2.500 ^{+0.000} / _{-.002}	2.501 ^{+0.002} / _{+0.000}	2.875 ^{+0.002} / _{+0.000}	2.500 ^{+0.000} / _{-.002}	2.874 ^{+0.000} / _{-.002}	2.875 ^{+0.002} / _{+0.000}
18702500-B	2-1/2	2-7/8	3/16	.207 ^{+0.015} / _{+0.000}	2.500 ^{+0.000} / _{-.002}	2.501 ^{+0.002} / _{+0.000}	2.875 ^{+0.002} / _{+0.000}	2.500 ^{+0.000} / _{-.002}	2.874 ^{+0.000} / _{-.002}	2.875 ^{+0.002} / _{+0.000}
18702500-250B	2-1/2	2-7/8	1/4	.275 ^{+0.015} / _{+0.000}	2.500 ^{+0.000} / _{-.002}	2.501 ^{+0.002} / _{+0.000}	2.875 ^{+0.002} / _{+0.000}	2.500 ^{+0.000} / _{-.002}	2.874 ^{+0.000} / _{-.002}	2.875 ^{+0.002} / _{+0.000}
18702500-312B	2-1/2	2-7/8	5/16	.344 ^{+0.015} / _{+0.000}	2.500 ^{+0.000} / _{-.002}	2.501 ^{+0.002} / _{+0.000}	2.875 ^{+0.002} / _{+0.000}	2.500 ^{+0.000} / _{-.002}	2.874 ^{+0.000} / _{-.002}	2.875 ^{+0.002} / _{+0.000}
18702500-375B	2-1/2	2-7/8	3/8	.413 ^{+0.015} / _{+0.000}	2.500 ^{+0.000} / _{-.002}	2.501 ^{+0.002} / _{+0.000}	2.875 ^{+0.002} / _{+0.000}	2.500 ^{+0.000} / _{-.002}	2.874 ^{+0.000} / _{-.002}	2.875 ^{+0.002} / _{+0.000}
18702625	2-5/8	3	3/16	.207 ^{+0.015} / _{+0.000}	2.625 ^{+0.000} / _{-.002}	2.626 ^{+0.002} / _{+0.000}	3.000 ^{+0.002} / _{+0.000}	2.625 ^{+0.000} / _{-.002}	2.999 ^{+0.000} / _{-.002}	3.000 ^{+0.002} / _{+0.000}
18702625-B	2-5/8	3	3/16	.207 ^{+0.015} / _{+0.000}	2.625 ^{+0.000} / _{-.002}	2.626 ^{+0.002} / _{+0.000}	3.000 ^{+0.002} / _{+0.000}	2.625 ^{+0.000} / _{-.002}	2.999 ^{+0.000} / _{-.002}	3.000 ^{+0.002} / _{+0.000}
18702625-250B	2-5/8	3	1/4	.275 ^{+0.015} / _{+0.000}	2.625 ^{+0.000} / _{-.002}	2.626 ^{+0.002} / _{+0.000}	3.000 ^{+0.002} / _{+0.000}	2.625 ^{+0.000} / _{-.002}	2.999 ^{+0.000} / _{-.002}	3.000 ^{+0.002} / _{+0.000}
18702625-375B	2-5/8	3	3/8	.413 ^{+0.015} / _{+0.000}	2.625 ^{+0.000} / _{-.002}	2.626 ^{+0.002} / _{+0.000}	3.000 ^{+0.002} / _{+0.000}	2.625 ^{+0.000} / _{-.002}	2.999 ^{+0.000} / _{-.002}	3.000 ^{+0.002} / _{+0.000}
18702625-375	2-5/8	3	3/8	.413 ^{+0.015} / _{+0.000}	2.625 ^{+0.000} / _{-.002}	2.626 ^{+0.002} / _{+0.000}	3.000 ^{+0.002} / _{+0.000}	2.625 ^{+0.000} / _{-.002}	2.999 ^{+0.000} / _{-.002}	3.000 ^{+0.002} / _{+0.000}
18702750	2-3/4	3-1/8	3/16	.207 ^{+0.015} / _{+0.000}	2.750 ^{+0.000} / _{-.002}	2.751 ^{+0.002} / _{+0.000}	3.125 ^{+0.002} / _{+0.000}	2.750 ^{+0.000} / _{-.002}	3.124 ^{+0.000} / _{-.002}	3.125 ^{+0.002} / _{+0.000}
18702750-B	2-3/4	3-1/8	3/16	.207 ^{+0.015} / _{+0.000}	2.750 ^{+0.000} / _{-.002}	2.751 ^{+0.002} / _{+0.000}	3.125 ^{+0.002} / _{+0.000}	2.750 ^{+0.000} / _{-.002}	3.124 ^{+0.000} / _{-.002}	3.125 ^{+0.002} / _{+0.000}
18702750-375B	2-3/4	3-1/8	3/8	.413 ^{+0.015} / _{+0.000}	2.750 ^{+0.000} / _{-.002}	2.751 ^{+0.002} / _{+0.000}	3.125 ^{+0.002} / _{+0.000}	2.750 ^{+0.000} / _{-.002}	3.124 ^{+0.000} / _{-.002}	3.125 ^{+0.002} / _{+0.000}
18702875	2-7/8	3-1/4	3/16	.207 ^{+0.015} / _{+0.000}	2.875 ^{+0.000} / _{-.002}	2.876 ^{+0.002} / _{+0.000}	3.250 ^{+0.002} / _{+0.000}	2.875 ^{+0.000} / _{-.002}	3.249 ^{+0.000} / _{-.002}	3.250 ^{+0.002} / _{+0.000}
18702875-250B	2-7/8	3-1/4	1/4	.275 ^{+0.015} / _{+0.000}	2.875 ^{+0.000} / _{-.002}	2.876 ^{+0.002} / _{+0.000}	3.250 ^{+0.002} / _{+0.000}	2.875 ^{+0.000} / _{-.002}	3.249 ^{+0.000} / _{-.002}	3.250 ^{+0.002} / _{+0.000}
18702875-375B	2-7/8	3-1/4	3/8	.413 ^{+0.015} / _{+0.000}	2.875 ^{+0.000} / _{-.002}	2.876 ^{+0.002} / _{+0.000}	3.250 ^{+0.002} / _{+0.000}	2.875 ^{+0.000} / _{-.002}	3.249 ^{+0.000} / _{-.002}	3.250 ^{+0.002} / _{+0.000}
18702875-375	2-7/8	3-1/4	3/8	.413 ^{+0.015} / _{+0.000}	2.875 ^{+0.000} / _{-.002}	2.876 ^{+0.002} / _{+0.000}	3.250 ^{+0.002} / _{+0.000}	2.875 ^{+0.000} / _{-.002}	3.249 ^{+0.000} / _{-.002}	3.250 ^{+0.002} / _{+0.000}
18703000	3	3-3/8	3/16	.207 ^{+0.015} / _{+0.000}	3.000 ^{+0.000} / _{-.002}	3.001 ^{+0.002} / _{+0.000}	3.375 ^{+0.002} / _{+0.000}	3.000 ^{+0.000} / _{-.002}	3.374 ^{+0.000} / _{-.002}	3.375 ^{+0.002} / _{+0.000}
18703000-B	3	3-3/8	3/16	.207 ^{+0.015} / _{+0.000}	3.000 ^{+0.000} / _{-.002}	3.001 ^{+0.002} / _{+0.000}	3.375 ^{+0.002} / _{+0.000}	3.000 ^{+0.000} / _{-.002}	3.374 ^{+0.000} / _{-.002}	3.375 ^{+0.002} / _{+0.000}
18703000-312B	3	3-3/8	5/16	.344 ^{+0.015} / _{+0.000}	3.000 ^{+0.000} / _{-.002}	3.001 ^{+0.002} / _{+0.000}	3.375 ^{+0.002} / _{+0.000}	3.000 ^{+0.000} / _{-.002}	3.374 ^{+0.000} / _{-.002}	3.375 ^{+0.002} / _{+0.000}
18703000-375B	3	3-3/8	3/8	.413 ^{+0.015} / _{+0.000}	3.000 ^{+0.000} / _{-.002}	3.001 ^{+0.002} / _{+0.000}	3.375 ^{+0.002} / _{+0.000}	3.000 ^{+0.000} / _{-.002}	3.374 ^{+0.000} / _{-.002}	3.375 ^{+0.002} / _{+0.000}
18703125	3-1/8	3-1/2	3/16	.207 ^{+0.015} / _{+0.000}	3.125 ^{+0.000} / _{-.002}	3.126 ^{+0.002} / _{+0.000}	3.500 ^{+0.002} / _{+0.000}	3.125 ^{+0.000} / _{-.002}	3.499 ^{+0.000} / _{-.002}	3.500 ^{+0.002} / _{+0.000}
18703125-B	3-1/8	3-1/2	3/16	.207 ^{+0.015} / _{+0.000}	3.125 ^{+0.000} / _{-.002}	3.126 ^{+0.002} / _{+0.000}	3.500 ^{+0.002} / _{+0.000}	3.125 ^{+0.000} / _{-.002}	3.499 ^{+0.000} / _{-.002}	3.500 ^{+0.002} / _{+0.000}
18703125-250B	3-1/8	3-1/2	1/4	.275 ^{+0.015} / _{+0.000}	3.125 ^{+0.000} / _{-.002}	3.126 ^{+0.002} / _{+0.000}	3.500 ^{+0.002} / _{+0.000}	3.125 ^{+0.000} / _{-.002}	3.499 ^{+0.000} / _{-.002}	3.500 ^{+0.002} / _{+0.000}
18703125-375B	3-1/8	3-1/2	3/8	.413 ^{+0.015} / _{+0.000}	3.125 ^{+0.000} / _{-.002}	3.126 ^{+0.002} / _{+0.000}	3.500 ^{+0.002} / _{+0.000}	3.125 ^{+0.000} / _{-.002}	3.499 ^{+0.000} / _{-.002}	3.500 ^{+0.002} / _{+0.000}
18703125-375	3-1/8	3-1/2	3/8	.413 ^{+0.015} / _{+0.000}	3.125 ^{+0.000} / _{-.002}	3.126 ^{+0.002} / _{+0.000}	3.500 ^{+0.002} / _{+0.000}	3.125 ^{+0.000} / _{-.002}	3.499 ^{+0.000} / _{-.002}	3.500 ^{+0.002} / _{+0.000}
18703250	3-1/4	3-5/8	3/16	.207 ^{+0.015} / _{+0.000}	3.250 ^{+0.000} / _{-.002}	3.251 ^{+0.002} / _{+0.000}	3.625 ^{+0.002} / _{+0.000}	3.250 ^{+0.000} / _{-.002}	3.624 ^{+0.000} / _{-.002}	3.625 ^{+0.002} / _{+0.000}

POWERPAK



**4740 EASTPARK DRIVE
HOUSTON, TX 77028
T. 713-869-8003
F. 713-869-8725**

URETHANE POWERPAK

Part Number	A Nom. ID	B Nom. OD	C Nom. Ht	D GROOVE WIDTH	E ROD DIAMETER	F THROAT DIAMETER	G HOUSING DIAMETER	H GROOVE DIAMETER	I PISTON DIAMETER	J BORE DIAMETER
18703250-375B	3-1/4	3-5/8	3/8	.413 ^{+0.015} / _{+0.000}	3.250 ^{+0.000} / _{-0.002}	3.251 ^{+0.002} / _{+0.000}	3.625 ^{+0.002} / _{+0.000}	3.250 ^{+0.000} / _{-0.002}	3.624 ^{+0.000} / _{-0.002}	3.625 ^{+0.002} / _{+0.000}
18703375	3-3/8	3-3/4	3/16	.207 ^{+0.015} / _{+0.000}	3.375 ^{+0.000} / _{-0.002}	3.376 ^{+0.002} / _{+0.000}	3.750 ^{+0.002} / _{+0.000}	3.375 ^{+0.000} / _{-0.002}	3.749 ^{+0.000} / _{-0.002}	3.750 ^{+0.002} / _{+0.000}
18703375-B	3-3/8	3-3/4	3/16	.207 ^{+0.015} / _{+0.000}	3.375 ^{+0.000} / _{-0.002}	3.376 ^{+0.002} / _{+0.000}	3.750 ^{+0.002} / _{+0.000}	3.375 ^{+0.000} / _{-0.002}	3.749 ^{+0.000} / _{-0.002}	3.750 ^{+0.002} / _{+0.000}
18703375-250B	3-3/8	3-3/4	1/4	.275 ^{+0.015} / _{+0.000}	3.375 ^{+0.000} / _{-0.002}	3.376 ^{+0.002} / _{+0.000}	3.750 ^{+0.002} / _{+0.000}	3.375 ^{+0.000} / _{-0.002}	3.749 ^{+0.000} / _{-0.002}	3.750 ^{+0.002} / _{+0.000}
18703375-375B	3-3/8	3-3/4	3/8	.413 ^{+0.015} / _{+0.000}	3.375 ^{+0.000} / _{-0.002}	3.376 ^{+0.002} / _{+0.000}	3.750 ^{+0.002} / _{+0.000}	3.375 ^{+0.000} / _{-0.002}	3.749 ^{+0.000} / _{-0.002}	3.750 ^{+0.002} / _{+0.000}
18703500	3-1/2	3-7/8	3/16	.207 ^{+0.015} / _{+0.000}	3.500 ^{+0.000} / _{-0.002}	3.501 ^{+0.002} / _{+0.000}	3.875 ^{+0.002} / _{+0.000}	3.500 ^{+0.000} / _{-0.002}	3.874 ^{+0.000} / _{-0.002}	3.875 ^{+0.002} / _{+0.000}
18703500-B	3-1/2	3-7/8	3/16	.207 ^{+0.015} / _{+0.000}	3.500 ^{+0.000} / _{-0.002}	3.501 ^{+0.002} / _{+0.000}	3.875 ^{+0.002} / _{+0.000}	3.500 ^{+0.000} / _{-0.002}	3.874 ^{+0.000} / _{-0.002}	3.875 ^{+0.002} / _{+0.000}
18703500-375B	3-1/2	3-7/8	3/8	.413 ^{+0.015} / _{+0.000}	3.500 ^{+0.000} / _{-0.002}	3.501 ^{+0.002} / _{+0.000}	3.875 ^{+0.002} / _{+0.000}	3.500 ^{+0.000} / _{-0.002}	3.874 ^{+0.000} / _{-0.002}	3.875 ^{+0.002} / _{+0.000}
18703625	3-5/8	4	3/16	.207 ^{+0.015} / _{+0.000}	3.625 ^{+0.000} / _{-0.002}	3.626 ^{+0.002} / _{+0.000}	4.000 ^{+0.002} / _{+0.000}	3.625 ^{+0.000} / _{-0.002}	3.999 ^{+0.000} / _{-0.002}	4.000 ^{+0.002} / _{+0.000}
18703625-B	3-5/8	4	3/16	.207 ^{+0.015} / _{+0.000}	3.625 ^{+0.000} / _{-0.002}	3.626 ^{+0.002} / _{+0.000}	4.000 ^{+0.002} / _{+0.000}	3.625 ^{+0.000} / _{-0.002}	3.999 ^{+0.000} / _{-0.002}	4.000 ^{+0.002} / _{+0.000}
18703625-375B	3-5/8	4	3/8	.413 ^{+0.015} / _{+0.000}	3.625 ^{+0.000} / _{-0.002}	3.626 ^{+0.002} / _{+0.000}	4.000 ^{+0.002} / _{+0.000}	3.625 ^{+0.000} / _{-0.002}	3.999 ^{+0.000} / _{-0.002}	4.000 ^{+0.002} / _{+0.000}
18703750	3-3/4	4-1/8	3/16	.207 ^{+0.015} / _{+0.000}	3.750 ^{+0.000} / _{-0.002}	3.751 ^{+0.002} / _{+0.000}	4.125 ^{+0.002} / _{+0.000}	3.750 ^{+0.000} / _{-0.002}	4.124 ^{+0.000} / _{-0.002}	4.125 ^{+0.002} / _{+0.000}
18703750-375B	3-3/4	4-1/8	3/8	.413 ^{+0.015} / _{+0.000}	3.750 ^{+0.000} / _{-0.002}	3.751 ^{+0.002} / _{+0.000}	4.125 ^{+0.002} / _{+0.000}	3.750 ^{+0.000} / _{-0.002}	4.124 ^{+0.000} / _{-0.002}	4.125 ^{+0.002} / _{+0.000}
18703875	3-7/8	4-1/4	3/16	.207 ^{+0.015} / _{+0.000}	3.875 ^{+0.000} / _{-0.002}	3.876 ^{+0.002} / _{+0.000}	4.250 ^{+0.002} / _{+0.000}	3.875 ^{+0.000} / _{-0.002}	4.249 ^{+0.000} / _{-0.002}	4.250 ^{+0.002} / _{+0.000}
18703875-B	3-7/8	4-1/4	3/8	.413 ^{+0.015} / _{+0.000}	3.875 ^{+0.000} / _{-0.002}	3.876 ^{+0.002} / _{+0.000}	4.250 ^{+0.002} / _{+0.000}	3.875 ^{+0.000} / _{-0.002}	4.249 ^{+0.000} / _{-0.002}	4.250 ^{+0.002} / _{+0.000}
18704000	4	4-3/8	3/16	.207 ^{+0.015} / _{+0.000}	4.000 ^{+0.000} / _{-0.002}	4.001 ^{+0.002} / _{+0.000}	4.375 ^{+0.002} / _{+0.000}	4.000 ^{+0.000} / _{-0.002}	4.374 ^{+0.000} / _{-0.002}	4.375 ^{+0.002} / _{+0.000}
18704000-B	4	4-3/8	3/16	.207 ^{+0.015} / _{+0.000}	4.000 ^{+0.000} / _{-0.002}	4.001 ^{+0.002} / _{+0.000}	4.375 ^{+0.002} / _{+0.000}	4.000 ^{+0.000} / _{-0.002}	4.374 ^{+0.000} / _{-0.002}	4.375 ^{+0.002} / _{+0.000}
18704000-375B	4	4-3/8	3/8	.413 ^{+0.015} / _{+0.000}	4.000 ^{+0.000} / _{-0.002}	4.001 ^{+0.002} / _{+0.000}	4.375 ^{+0.002} / _{+0.000}	4.000 ^{+0.000} / _{-0.002}	4.374 ^{+0.000} / _{-0.002}	4.375 ^{+0.002} / _{+0.000}
18704125	4-1/8	4-1/2	3/16	.207 ^{+0.015} / _{+0.000}	4.125 ^{+0.000} / _{-0.002}	4.126 ^{+0.002} / _{+0.000}	4.500 ^{+0.002} / _{+0.000}	4.125 ^{+0.000} / _{-0.002}	4.499 ^{+0.000} / _{-0.002}	4.500 ^{+0.002} / _{+0.000}
18704125-375B	4-1/8	4-1/2	3/8	.413 ^{+0.015} / _{+0.000}	4.125 ^{+0.000} / _{-0.002}	4.126 ^{+0.002} / _{+0.000}	4.500 ^{+0.002} / _{+0.000}	4.125 ^{+0.000} / _{-0.002}	4.499 ^{+0.000} / _{-0.002}	4.500 ^{+0.002} / _{+0.000}
18704125-375	4-1/8	4-1/2	3/8	.413 ^{+0.015} / _{+0.000}	4.125 ^{+0.000} / _{-0.002}	4.126 ^{+0.002} / _{+0.000}	4.500 ^{+0.002} / _{+0.000}	4.125 ^{+0.000} / _{-0.002}	4.499 ^{+0.000} / _{-0.002}	4.500 ^{+0.002} / _{+0.000}
18704250	4-1/4	4-5/8	3/16	.207 ^{+0.015} / _{+0.000}	4.250 ^{+0.000} / _{-0.002}	4.251 ^{+0.002} / _{+0.000}	4.625 ^{+0.002} / _{+0.000}	4.250 ^{+0.000} / _{-0.002}	4.624 ^{+0.000} / _{-0.002}	4.625 ^{+0.002} / _{+0.000}
18704250-375B	4-1/4	4-5/8	3/8	.413 ^{+0.015} / _{+0.000}	4.250 ^{+0.000} / _{-0.002}	4.251 ^{+0.002} / _{+0.000}	4.625 ^{+0.002} / _{+0.000}	4.250 ^{+0.000} / _{-0.002}	4.624 ^{+0.000} / _{-0.002}	4.625 ^{+0.002} / _{+0.000}
18704375	4-3/8	4-3/4	3/16	.207 ^{+0.015} / _{+0.000}	4.375 ^{+0.000} / _{-0.002}	4.376 ^{+0.002} / _{+0.000}	4.750 ^{+0.002} / _{+0.000}	4.375 ^{+0.000} / _{-0.002}	4.749 ^{+0.000} / _{-0.002}	4.750 ^{+0.002} / _{+0.000}
18704375-375B	4-3/8	4-3/4	3/8	.413 ^{+0.015} / _{+0.000}	4.375 ^{+0.000} / _{-0.002}	4.376 ^{+0.002} / _{+0.000}	4.750 ^{+0.002} / _{+0.000}	4.375 ^{+0.000} / _{-0.002}	4.749 ^{+0.000} / _{-0.002}	4.750 ^{+0.002} / _{+0.000}
18704500	4-1/2	4-7/8	3/16	.207 ^{+0.015} / _{+0.000}	4.500 ^{+0.000} / _{-0.002}	4.501 ^{+0.002} / _{+0.000}	4.875 ^{+0.002} / _{+0.000}	4.500 ^{+0.000} / _{-0.002}	4.874 ^{+0.000} / _{-0.002}	4.875 ^{+0.002} / _{+0.000}
18704500-375B	4-1/2	4-7/8	3/8	.413 ^{+0.015} / _{+0.000}	4.500 ^{+0.000} / _{-0.002}	4.501 ^{+0.002} / _{+0.000}	4.875 ^{+0.002} / _{+0.000}	4.500 ^{+0.000} / _{-0.002}	4.874 ^{+0.000} / _{-0.002}	4.875 ^{+0.002} / _{+0.000}
18704625	4-5/8	5	3/16	.207 ^{+0.015} / _{+0.000}	4.625 ^{+0.000} / _{-0.002}	4.626 ^{+0.002} / _{+0.000}	5.000 ^{+0.002} / _{+0.000}	4.625 ^{+0.000} / _{-0.002}	4.999 ^{+0.000} / _{-0.002}	5.000 ^{+0.002} / _{+0.000}
18704625-375	4-5/8	5	3/8	.413 ^{+0.015} / _{+0.000}	4.625 ^{+0.000} / _{-0.002}	4.626 ^{+0.002} / _{+0.000}	5.000 ^{+0.002} / _{+0.000}	4.625 ^{+0.000} / _{-0.002}	4.999 ^{+0.000} / _{-0.002}	5.000 ^{+0.002} / _{+0.000}
18704750	4-3/4	5-1/8	3/16	.207 ^{+0.015} / _{+0.000}	4.750 ^{+0.000} / _{-0.002}	4.751 ^{+0.002} / _{+0.000}	5.125 ^{+0.002} / _{+0.000}	4.750 ^{+0.000} / _{-0.002}	5.124 ^{+0.000} / _{-0.002}	5.125 ^{+0.002} / _{+0.000}
18704875	4-7/8	5-1/4	3/16	.207 ^{+0.015} / _{+0.000}	4.875 ^{+0.000} / _{-0.002}	4.876 ^{+0.002} / _{+0.000}	5.250 ^{+0.002} / _{+0.000}	4.875 ^{+0.000} / _{-0.002}	5.249 ^{+0.000} / _{-0.002}	5.250 ^{+0.002} / _{+0.000}
18705000	5	5-3/8	3/16	.207 ^{+0.015} / _{+0.000}	5.000 ^{+0.000} / _{-0.002}	5.001 ^{+0.002} / _{+0.000}	5.375 ^{+0.002} / _{+0.000}	5.000 ^{+0.000} / _{-0.002}	5.374 ^{+0.000} / _{-0.002}	5.375 ^{+0.002} / _{+0.000}
18705000-312	5	5-3/8	5/16	.344 ^{+0.015} / _{+0.000}	5.000 ^{+0.000} / _{-0.002}	5.001 ^{+0.002} / _{+0.000}	5.375 ^{+0.002} / _{+0.000}	5.000 ^{+0.000} / _{-0.002}	5.374 ^{+0.000} / _{-0.002}	5.375 ^{+0.002} / _{+0.000}

POWERPAK



**4740 EASTPARK DRIVE
HOUSTON, TX 77028
T. 713-869-8003
F. 713-869-8725**

URETHANE POWERPAK

Part Number	A Nom. ID	B Nom. OD	C Nom. Ht	D GROOVE WIDTH	E ROD DIAMETER	F THROAT DIAMETER	G HOUSING DIAMETER	H GROOVE DIAMETER	I PISTON DIAMETER	J BORE DIAMETER	
18705000-375	5	5-3/8	3/8	.413 ^{+0.015} / _{+0.000}	5.000 ^{+0.000} / _{-0.002}	5.001 ^{+0.002} / _{+0.000}	5.375 ^{+0.002} / _{+0.000}	5.000 ^{+0.000} / _{-0.002}	5.374 ^{+0.000} / _{-0.002}	5.375 ^{+0.002} / _{+0.000}	
18706000	6	6-3/8	3/16	.207 ^{+0.015} / _{+0.000}	6.000 ^{+0.000} / _{-0.002}	6.001 ^{+0.002} / _{+0.000}	6.375 ^{+0.002} / _{+0.000}	6.000 ^{+0.000} / _{-0.002}	6.374 ^{+0.000} / _{-0.002}	6.375 ^{+0.002} / _{+0.000}	
7/32" C/S											
21802500-B	2-1/2	2-15/16	7/32	.241 ^{+0.015} / _{+0.000}	2.500 ^{+0.000} / _{-0.002}	2.501 ^{+0.002} / _{+0.000}	2.938 ^{+0.002} / _{+0.000}	2.500 ^{+0.000} / _{-0.002}	2.936 ^{+0.000} / _{-0.002}	2.938 ^{+0.002} / _{+0.000}	
21802812	2-13/16	3-1/4	7/32	.241 ^{+0.015} / _{+0.000}	2.812 ^{+0.000} / _{-0.002}	2.814 ^{+0.002} / _{+0.000}	3.250 ^{+0.002} / _{+0.000}	2.812 ^{+0.000} / _{-0.002}	3.249 ^{+0.000} / _{-0.002}	3.250 ^{+0.002} / _{+0.000}	
21803000	3	3-7/16	7/32	.241 ^{+0.015} / _{+0.000}	3.000 ^{+0.000} / _{-0.002}	3.001 ^{+0.002} / _{+0.000}	3.438 ^{+0.002} / _{+0.000}	3.000 ^{+0.000} / _{-0.002}	3.436 ^{+0.000} / _{-0.002}	3.438 ^{+0.002} / _{+0.000}	
1/4" C/S											
25000250	1/4	3/4	1/4	.275 ^{+0.015} / _{+0.000}	.250 ^{+0.000} / _{-0.002}	.251 ^{+0.003} / _{+0.000}	.750 ^{+0.003} / _{+0.000}	.250 ^{+0.000} / _{-0.003}	.749 ^{+0.000} / _{-0.002}	.750 ^{+0.003} / _{+0.000}	
25000312	5/16	13/16	1/4	.275 ^{+0.015} / _{+0.000}	.312 ^{+0.000} / _{-0.002}	.313 ^{+0.003} / _{+0.000}	.813 ^{+0.003} / _{+0.000}	.312 ^{+0.000} / _{-0.003}	.812 ^{+0.000} / _{-0.002}	.813 ^{+0.003} / _{+0.000}	
25000375	3/8	7/8	1/4	.275 ^{+0.015} / _{+0.000}	.375 ^{+0.000} / _{-0.002}	.376 ^{+0.003} / _{+0.000}	.875 ^{+0.003} / _{+0.000}	.375 ^{+0.000} / _{-0.003}	.874 ^{+0.000} / _{-0.002}	.875 ^{+0.003} / _{+0.000}	
25000437	7/16	15/16	1/4	.275 ^{+0.015} / _{+0.000}	.437 ^{+0.000} / _{-0.002}	.438 ^{+0.003} / _{+0.000}	.938 ^{+0.003} / _{+0.000}	.437 ^{+0.000} / _{-0.003}	.936 ^{+0.000} / _{-0.002}	.938 ^{+0.003} / _{+0.000}	
25000437-375B	7/16	15/16	3/8	.413 ^{+0.015} / _{+0.000}	.437 ^{+0.000} / _{-0.002}	.438 ^{+0.003} / _{+0.000}	.938 ^{+0.003} / _{+0.000}	.437 ^{+0.000} / _{-0.003}	.936 ^{+0.000} / _{-0.002}	.938 ^{+0.003} / _{+0.000}	
25000500	1/2	1	1/4	.275 ^{+0.015} / _{+0.000}	.500 ^{+0.000} / _{-0.002}	.501 ^{+0.003} / _{+0.000}	1.000 ^{+0.003} / _{+0.000}	.500 ^{+0.000} / _{-0.003}	.999 ^{+0.000} / _{-0.002}	1.000 ^{+0.003} / _{+0.000}	
25000500-375B	1/2	1	3/8	.413 ^{+0.015} / _{+0.000}	.500 ^{+0.000} / _{-0.002}	.501 ^{+0.003} / _{+0.000}	1.000 ^{+0.003} / _{+0.000}	.500 ^{+0.000} / _{-0.003}	.999 ^{+0.000} / _{-0.002}	1.000 ^{+0.003} / _{+0.000}	
25000562	9/16	1-1/16	1/4	.275 ^{+0.015} / _{+0.000}	.562 ^{+0.000} / _{-0.002}	.563 ^{+0.003} / _{+0.000}	1.063 ^{+0.003} / _{+0.000}	.562 ^{+0.000} / _{-0.003}	1.061 ^{+0.000} / _{-0.002}	1.063 ^{+0.003} / _{+0.000}	
25000625	5/8	1-1/8	1/4	.275 ^{+0.015} / _{+0.000}	.625 ^{+0.000} / _{-0.002}	.626 ^{+0.003} / _{+0.000}	1.125 ^{+0.003} / _{+0.000}	.625 ^{+0.000} / _{-0.003}	1.124 ^{+0.000} / _{-0.002}	1.125 ^{+0.003} / _{+0.000}	
25000625-375B	5/8	1-1/8	3/8	.413 ^{+0.015} / _{+0.000}	.625 ^{+0.000} / _{-0.002}	.626 ^{+0.003} / _{+0.000}	1.125 ^{+0.003} / _{+0.000}	.625 ^{+0.000} / _{-0.003}	1.124 ^{+0.000} / _{-0.002}	1.125 ^{+0.003} / _{+0.000}	
25000687	11/16	1-3/16	1/4	.275 ^{+0.015} / _{+0.000}	.687 ^{+0.000} / _{-0.002}	.688 ^{+0.003} / _{+0.000}	1.188 ^{+0.003} / _{+0.000}	.687 ^{+0.000} / _{-0.003}	1.186 ^{+0.000} / _{-0.002}	1.188 ^{+0.003} / _{+0.000}	
25000687-375B	11/16	1-3/16	3/8	.413 ^{+0.015} / _{+0.000}	.687 ^{+0.000} / _{-0.002}	.688 ^{+0.003} / _{+0.000}	1.188 ^{+0.003} / _{+0.000}	.687 ^{+0.000} / _{-0.003}	1.186 ^{+0.000} / _{-0.002}	1.188 ^{+0.003} / _{+0.000}	
25000750	3/4	1-1/4	1/4	.275 ^{+0.015} / _{+0.000}	.750 ^{+0.000} / _{-0.002}	.751 ^{+0.003} / _{+0.000}	1.250 ^{+0.003} / _{+0.000}	.750 ^{+0.000} / _{-0.003}	1.249 ^{+0.000} / _{-0.002}	1.250 ^{+0.003} / _{+0.000}	
25000750-B	3/4	1-1/4	1/4	.275 ^{+0.015} / _{+0.000}	.750 ^{+0.000} / _{-0.002}	.751 ^{+0.003} / _{+0.000}	1.250 ^{+0.003} / _{+0.000}	.750 ^{+0.000} / _{-0.003}	1.249 ^{+0.000} / _{-0.002}	1.250 ^{+0.003} / _{+0.000}	
25000750-375B	3/4	1-1/4	3/8	.413 ^{+0.015} / _{+0.000}	.750 ^{+0.000} / _{-0.002}	.751 ^{+0.003} / _{+0.000}	1.250 ^{+0.003} / _{+0.000}	.750 ^{+0.000} / _{-0.003}	1.249 ^{+0.000} / _{-0.002}	1.250 ^{+0.003} / _{+0.000}	
25000812	13/16	1-5/16	1/4	.275 ^{+0.015} / _{+0.000}	.812 ^{+0.000} / _{-0.002}	.813 ^{+0.003} / _{+0.000}	1.313 ^{+0.003} / _{+0.000}	.812 ^{+0.000} / _{-0.003}	1.311 ^{+0.000} / _{-0.002}	1.313 ^{+0.003} / _{+0.000}	
25000812-375B	13/16	1-5/16	3/8	.413 ^{+0.015} / _{+0.000}	.812 ^{+0.000} / _{-0.002}	.813 ^{+0.003} / _{+0.000}	1.313 ^{+0.003} / _{+0.000}	.812 ^{+0.000} / _{-0.003}	1.311 ^{+0.000} / _{-0.002}	1.313 ^{+0.003} / _{+0.000}	
25000875-B	7/8	1-3/8	1/4	.275 ^{+0.015} / _{+0.000}	.875 ^{+0.000} / _{-0.002}	.876 ^{+0.003} / _{+0.000}	1.375 ^{+0.003} / _{+0.000}	.875 ^{+0.000} / _{-0.003}	1.374 ^{+0.000} / _{-0.002}	1.375 ^{+0.003} / _{+0.000}	
25000875-375B	7/8	1-3/8	3/8	.413 ^{+0.015} / _{+0.000}	.875 ^{+0.000} / _{-0.002}	.876 ^{+0.003} / _{+0.000}	1.375 ^{+0.003} / _{+0.000}	.875 ^{+0.000} / _{-0.003}	1.374 ^{+0.000} / _{-0.002}	1.375 ^{+0.003} / _{+0.000}	
25000875-375	7/8	1-3/8	3/8	.413 ^{+0.015} / _{+0.000}	.875 ^{+0.000} / _{-0.002}	.876 ^{+0.003} / _{+0.000}	1.375 ^{+0.003} / _{+0.000}	.875 ^{+0.000} / _{-0.003}	1.374 ^{+0.000} / _{-0.002}	1.375 ^{+0.003} / _{+0.000}	
25000937	15/16	1-7/16	1/4	.275 ^{+0.015} / _{+0.000}	.937 ^{+0.000} / _{-0.002}	.938 ^{+0.003} / _{+0.000}	1.438 ^{+0.003} / _{+0.000}	.937 ^{+0.000} / _{-0.003}	1.436 ^{+0.000} / _{-0.002}	1.438 ^{+0.003} / _{+0.000}	
25001000	1	1-1/2	1/4	.275 ^{+0.015} / _{+0.000}	1.000 ^{+0.000} / _{-0.002}	1.001 ^{+0.003} / _{+0.000}	1.500 ^{+0.003} / _{+0.000}	1.000 ^{+0.000} / _{-0.003}	1.499 ^{+0.000} / _{-0.002}	1.500 ^{+0.003} / _{+0.000}	
25001000-B	1	1-1/2	1/4	.275 ^{+0.015} / _{+0.000}	1.000 ^{+0.000} / _{-0.002}	1.001 ^{+0.003} / _{+0.000}	1.500 ^{+0.003} / _{+0.000}	1.000 ^{+0.000} / _{-0.003}	1.499 ^{+0.000} / _{-0.002}	1.500 ^{+0.003} / _{+0.000}	
25001000-375B	1	1-1/2	3/8	.413 ^{+0.015} / _{+0.000}	1.000 ^{+0.000} / _{-0.002}	1.001 ^{+0.003} / _{+0.000}	1.500 ^{+0.003} / _{+0.000}	1.000 ^{+0.000} / _{-0.003}	1.499 ^{+0.000} / _{-0.002}	1.500 ^{+0.003} / _{+0.000}	

POWERPAK



4740 EASTPARK DRIVE
HOUSTON, TX 77028
T. 713-869-8003
F. 713-869-8725

URETHANE POWERPAK

Part Number	A Nom. ID	B Nom. OD	C Nom. Ht	D GROOVE WIDTH	E ROD DIAMETER	F THROAT DIAMETER	G HOUSING DIAMETER	H GROOVE DIAMETER	I PISTON DIAMETER	J BORE DIAMETER
25001000-375	1	1-1/2	3/8	.413 ^{+0.015} / _{+0.000}	1.000 ^{+0.000} / _{-0.002}	1.001 ^{+0.003} / _{+0.000}	1.500 ^{+0.003} / _{+0.000}	1.000 ^{+0.000} / _{-0.003}	1.499 ^{+0.000} / _{-0.002}	1.500 ^{+0.003} / _{+0.000}
25001062	1-1/16	1-9/16	1/4	.275 ^{+0.015} / _{+0.000}	1.062 ^{+0.000} / _{-0.002}	1.063 ^{+0.003} / _{+0.000}	1.563 ^{+0.003} / _{+0.000}	1.062 ^{+0.000} / _{-0.003}	1.561 ^{+0.000} / _{-0.002}	1.563 ^{+0.003} / _{+0.000}
25001125	1-1/8	1-5/8	1/4	.275 ^{+0.015} / _{+0.000}	1.125 ^{+0.000} / _{-0.002}	1.126 ^{+0.003} / _{+0.000}	1.625 ^{+0.003} / _{+0.000}	1.125 ^{+0.000} / _{-0.003}	1.624 ^{+0.000} / _{-0.002}	1.625 ^{+0.003} / _{+0.000}
25001125-B	1-1/8	1-5/8	1/4	.275 ^{+0.015} / _{+0.000}	1.125 ^{+0.000} / _{-0.002}	1.126 ^{+0.003} / _{+0.000}	1.625 ^{+0.003} / _{+0.000}	1.125 ^{+0.000} / _{-0.003}	1.624 ^{+0.000} / _{-0.002}	1.625 ^{+0.003} / _{+0.000}
25001125-375B	1-1/8	1-5/8	3/8	.413 ^{+0.015} / _{+0.000}	1.125 ^{+0.000} / _{-0.002}	1.126 ^{+0.003} / _{+0.000}	1.625 ^{+0.003} / _{+0.000}	1.125 ^{+0.000} / _{-0.003}	1.624 ^{+0.000} / _{-0.002}	1.625 ^{+0.003} / _{+0.000}
25001187	1-3/16	1-11/16	1/4	.275 ^{+0.015} / _{+0.000}	1.187 ^{+0.000} / _{-0.002}	1.188 ^{+0.003} / _{+0.000}	1.688 ^{+0.003} / _{+0.000}	1.187 ^{+0.000} / _{-0.003}	1.686 ^{+0.000} / _{-0.002}	1.688 ^{+0.003} / _{+0.000}
25001250	1-1/4	1-3/4	1/4	.275 ^{+0.015} / _{+0.000}	1.250 ^{+0.000} / _{-0.002}	1.251 ^{+0.003} / _{+0.000}	1.750 ^{+0.003} / _{+0.000}	1.250 ^{+0.000} / _{-0.003}	1.749 ^{+0.000} / _{-0.002}	1.750 ^{+0.003} / _{+0.000}
25001250-B	1-1/4	1-3/4	1/4	.275 ^{+0.015} / _{+0.000}	1.250 ^{+0.000} / _{-0.002}	1.251 ^{+0.003} / _{+0.000}	1.750 ^{+0.003} / _{+0.000}	1.250 ^{+0.000} / _{-0.003}	1.749 ^{+0.000} / _{-0.002}	1.750 ^{+0.003} / _{+0.000}
25001250-375B	1-1/4	1-3/4	3/8	.413 ^{+0.015} / _{+0.000}	1.250 ^{+0.000} / _{-0.002}	1.251 ^{+0.003} / _{+0.000}	1.750 ^{+0.003} / _{+0.000}	1.250 ^{+0.000} / _{-0.003}	1.749 ^{+0.000} / _{-0.002}	1.750 ^{+0.003} / _{+0.000}
25001250-375	1-1/4	1-3/4	3/8	.413 ^{+0.015} / _{+0.000}	1.250 ^{+0.000} / _{-0.002}	1.251 ^{+0.003} / _{+0.000}	1.750 ^{+0.003} / _{+0.000}	1.250 ^{+0.000} / _{-0.003}	1.749 ^{+0.000} / _{-0.002}	1.750 ^{+0.003} / _{+0.000}
25001312	1-5/16	1-13/16	1/4	.275 ^{+0.015} / _{+0.000}	1.312 ^{+0.000} / _{-0.002}	1.313 ^{+0.003} / _{+0.000}	1.813 ^{+0.003} / _{+0.000}	1.312 ^{+0.000} / _{-0.003}	1.811 ^{+0.000} / _{-0.002}	1.813 ^{+0.003} / _{+0.000}
25001312-375B	1-5/16	1-13/16	3/8	.413 ^{+0.015} / _{+0.000}	1.312 ^{+0.000} / _{-0.002}	1.313 ^{+0.003} / _{+0.000}	1.813 ^{+0.003} / _{+0.000}	1.312 ^{+0.000} / _{-0.003}	1.811 ^{+0.000} / _{-0.002}	1.813 ^{+0.003} / _{+0.000}
25001375	1-3/8	1-7/8	1/4	.275 ^{+0.015} / _{+0.000}	1.375 ^{+0.000} / _{-0.002}	1.376 ^{+0.003} / _{+0.000}	1.875 ^{+0.003} / _{+0.000}	1.375 ^{+0.000} / _{-0.003}	1.874 ^{+0.000} / _{-0.002}	1.875 ^{+0.003} / _{+0.000}
25001375-B	1-3/8	1-7/8	1/4	.275 ^{+0.015} / _{+0.000}	1.375 ^{+0.000} / _{-0.002}	1.376 ^{+0.003} / _{+0.000}	1.875 ^{+0.003} / _{+0.000}	1.375 ^{+0.000} / _{-0.003}	1.874 ^{+0.000} / _{-0.002}	1.875 ^{+0.003} / _{+0.000}
25001375-375B	1-3/8	1-7/8	3/8	.413 ^{+0.015} / _{+0.000}	1.375 ^{+0.000} / _{-0.002}	1.376 ^{+0.003} / _{+0.000}	1.875 ^{+0.003} / _{+0.000}	1.375 ^{+0.000} / _{-0.003}	1.874 ^{+0.000} / _{-0.002}	1.875 ^{+0.003} / _{+0.000}
25001437	1-7/16	1-15/16	1/4	.275 ^{+0.015} / _{+0.000}	1.437 ^{+0.000} / _{-0.002}	1.438 ^{+0.003} / _{+0.000}	1.938 ^{+0.003} / _{+0.000}	1.437 ^{+0.000} / _{-0.003}	1.936 ^{+0.000} / _{-0.002}	1.938 ^{+0.003} / _{+0.000}
25001437-375B	1-7/16	1-15/16	3/8	.413 ^{+0.015} / _{+0.000}	1.437 ^{+0.000} / _{-0.002}	1.438 ^{+0.003} / _{+0.000}	1.938 ^{+0.003} / _{+0.000}	1.437 ^{+0.000} / _{-0.003}	1.936 ^{+0.000} / _{-0.002}	1.938 ^{+0.003} / _{+0.000}
25001500	1-1/2	2	1/4	.275 ^{+0.015} / _{+0.000}	1.500 ^{+0.000} / _{-0.002}	1.501 ^{+0.003} / _{+0.000}	2.000 ^{+0.003} / _{+0.000}	1.500 ^{+0.000} / _{-0.003}	1.999 ^{+0.000} / _{-0.002}	2.000 ^{+0.003} / _{+0.000}
25001500-B	1-1/2	2	1/4	.275 ^{+0.015} / _{+0.000}	1.500 ^{+0.000} / _{-0.002}	1.501 ^{+0.003} / _{+0.000}	2.000 ^{+0.003} / _{+0.000}	1.500 ^{+0.000} / _{-0.003}	1.999 ^{+0.000} / _{-0.002}	2.000 ^{+0.003} / _{+0.000}
25001500-312B	1-1/2	2	5/16	.344 ^{+0.015} / _{+0.000}	1.500 ^{+0.000} / _{-0.002}	1.501 ^{+0.003} / _{+0.000}	2.000 ^{+0.003} / _{+0.000}	1.500 ^{+0.000} / _{-0.003}	1.999 ^{+0.000} / _{-0.002}	2.000 ^{+0.003} / _{+0.000}
25001500-375B	1-1/2	2	3/8	.413 ^{+0.015} / _{+0.000}	1.500 ^{+0.000} / _{-0.002}	1.501 ^{+0.003} / _{+0.000}	2.000 ^{+0.003} / _{+0.000}	1.500 ^{+0.000} / _{-0.003}	1.999 ^{+0.000} / _{-0.002}	2.000 ^{+0.003} / _{+0.000}
25001500-375	1-1/2	2	3/8	.413 ^{+0.015} / _{+0.000}	1.500 ^{+0.000} / _{-0.002}	1.501 ^{+0.003} / _{+0.000}	2.000 ^{+0.003} / _{+0.000}	1.500 ^{+0.000} / _{-0.003}	1.999 ^{+0.000} / _{-0.002}	2.000 ^{+0.003} / _{+0.000}
25001500-500B	1-1/2	2	1/2	.550 ^{+0.015} / _{+0.000}	1.500 ^{+0.000} / _{-0.002}	1.501 ^{+0.003} / _{+0.000}	2.000 ^{+0.003} / _{+0.000}	1.500 ^{+0.000} / _{-0.003}	1.999 ^{+0.000} / _{-0.002}	2.000 ^{+0.003} / _{+0.000}
25001625	1-5/8	2-1/8	1/4	.275 ^{+0.015} / _{+0.000}	1.625 ^{+0.000} / _{-0.002}	1.626 ^{+0.003} / _{+0.000}	2.125 ^{+0.003} / _{+0.000}	1.625 ^{+0.000} / _{-0.003}	2.124 ^{+0.000} / _{-0.002}	2.125 ^{+0.003} / _{+0.000}
25001625-375B	1-5/8	2-1/8	3/8	.413 ^{+0.015} / _{+0.000}	1.625 ^{+0.000} / _{-0.002}	1.626 ^{+0.003} / _{+0.000}	2.125 ^{+0.003} / _{+0.000}	1.625 ^{+0.000} / _{-0.003}	2.124 ^{+0.000} / _{-0.002}	2.125 ^{+0.003} / _{+0.000}
25001750	1-3/4	2-1/4	1/4	.275 ^{+0.015} / _{+0.000}	1.750 ^{+0.000} / _{-0.002}	1.751 ^{+0.003} / _{+0.000}	2.250 ^{+0.003} / _{+0.000}	1.750 ^{+0.000} / _{-0.003}	2.249 ^{+0.000} / _{-0.002}	2.250 ^{+0.003} / _{+0.000}
25001750-B	1-3/4	2-1/4	1/4	.275 ^{+0.015} / _{+0.000}	1.750 ^{+0.000} / _{-0.002}	1.751 ^{+0.003} / _{+0.000}	2.250 ^{+0.003} / _{+0.000}	1.750 ^{+0.000} / _{-0.003}	2.249 ^{+0.000} / _{-0.002}	2.250 ^{+0.003} / _{+0.000}
25001750-312B	1-3/4	2-1/4	5/16	.344 ^{+0.015} / _{+0.000}	1.750 ^{+0.000} / _{-0.002}	1.751 ^{+0.003} / _{+0.000}	2.250 ^{+0.003} / _{+0.000}	1.750 ^{+0.000} / _{-0.003}	2.249 ^{+0.000} / _{-0.002}	2.250 ^{+0.003} / _{+0.000}
25001750-375B	1-3/4	2-1/4	3/8	.413 ^{+0.015} / _{+0.000}	1.750 ^{+0.000} / _{-0.002}	1.751 ^{+0.003} / _{+0.000}	2.250 ^{+0.003} / _{+0.000}	1.750 ^{+0.000} / _{-0.003}	2.249 ^{+0.000} / _{-0.002}	2.250 ^{+0.003} / _{+0.000}
25001750-375	1-3/4	2-1/4	3/8	.413 ^{+0.015} / _{+0.000}	1.750 ^{+0.000} / _{-0.002}	1.751 ^{+0.003} / _{+0.000}	2.250 ^{+0.003} / _{+0.000}	1.750 ^{+0.000} / _{-0.003}	2.249 ^{+0.000} / _{-0.002}	2.250 ^{+0.003} / _{+0.000}
25001875	1-7/8	2-3/8	1/4	.275 ^{+0.015} / _{+0.000}	1.875 ^{+0.000} / _{-0.002}	1.876 ^{+0.003} / _{+0.000}	2.375 ^{+0.003} / _{+0.000}	1.875 ^{+0.000} / _{-0.003}	2.374 ^{+0.000} / _{-0.002}	2.375 ^{+0.003} / _{+0.000}
25001875-375B	1-7/8	2-3/8	3/8	.413 ^{+0.015} / _{+0.000}	1.875 ^{+0.000} / _{-0.002}	1.876 ^{+0.003} / _{+0.000}	2.375 ^{+0.003} / _{+0.000}	1.875 ^{+0.000} / _{-0.003}	2.374 ^{+0.000} / _{-0.002}	2.375 ^{+0.003} / _{+0.000}
25002000	2	2-1/2	1/4	.275 ^{+0.015} / _{+0.000}	2.000 ^{+0.000} / _{-0.002}	2.001 ^{+0.003} / _{+0.000}	2.500 ^{+0.003} / _{+0.000}	2.000 ^{+0.000} / _{-0.003}	2.499 ^{+0.000} / _{-0.002}	2.500 ^{+0.003} / _{+0.000}

POWERPAK



**4740 EASTPARK DRIVE
HOUSTON, TX 77028
T. 713-869-8003
F. 713-869-8725**

URETHANE POWERPAK

Part Number	A Nom. ID	B Nom. OD	C Nom. Ht	D GROOVE WIDTH	E ROD DIAMETER	F THROAT DIAMETER	G HOUSING DIAMETER	H GROOVE DIAMETER	I PISTON DIAMETER	J BORE DIAMETER	
25002000-B	2	2-1/2	1/4	.275 +0.015 +0.000	2.000 +0.000 -0.002	2.001 +0.003 +0.000	2.500 +0.003 +0.000	2.000 +0.000 -0.003	2.499 +0.000 -0.002	2.500 +0.003 +0.000	
25002000-312B	2	2-1/2	5/16	.344 +0.015 +0.000	2.000 +0.000 -0.002	2.001 +0.003 +0.000	2.500 +0.003 +0.000	2.000 +0.000 -0.003	2.499 +0.000 -0.002	2.500 +0.003 +0.000	
25002000-375B	2	2-1/2	3/8	.413 +0.015 +0.000	2.000 +0.000 -0.002	2.001 +0.003 +0.000	2.500 +0.003 +0.000	2.000 +0.000 -0.003	2.499 +0.000 -0.002	2.500 +0.003 +0.000	
25002000-375	2	2-1/2	3/8	.413 +0.015 +0.000	2.000 +0.000 -0.002	2.001 +0.003 +0.000	2.500 +0.003 +0.000	2.000 +0.000 -0.003	2.499 +0.000 -0.002	2.500 +0.003 +0.000	
25002125	2-1/8	2-5/8	1/4	.275 +0.015 +0.000	2.125 +0.000 -0.002	2.126 +0.003 +0.000	2.625 +0.003 +0.000	2.125 +0.000 -0.003	2.624 +0.000 -0.002	2.625 +0.003 +0.000	
25002125-375B	2-1/8	2-5/8	3/8	.413 +0.015 +0.000	2.125 +0.000 -0.002	2.126 +0.003 +0.000	2.625 +0.003 +0.000	2.125 +0.000 -0.003	2.624 +0.000 -0.002	2.625 +0.003 +0.000	
25002187-375B	2-3/16	2-11/16	3/8	.413 +0.015 +0.000	2.187 +0.000 -0.002	2.189 +0.003 +0.000	2.688 +0.003 +0.000	2.187 +0.000 -0.003	2.687 +0.000 -0.002	2.688 +0.003 +0.000	
25002250	2-1/4	2-3/4	1/4	.275 +0.015 +0.000	2.250 +0.000 -0.002	2.251 +0.003 +0.000	2.750 +0.003 +0.000	2.250 +0.000 -0.003	2.749 +0.000 -0.002	2.750 +0.003 +0.000	
25002250-375B	2-1/4	2-3/4	3/8	.413 +0.015 +0.000	2.250 +0.000 -0.002	2.251 +0.003 +0.000	2.750 +0.003 +0.000	2.250 +0.000 -0.003	2.749 +0.000 -0.002	2.750 +0.003 +0.000	
25002250-375	2-1/4	2-3/4	3/8	.413 +0.015 +0.000	2.250 +0.000 -0.002	2.251 +0.003 +0.000	2.750 +0.003 +0.000	2.250 +0.000 -0.003	2.749 +0.000 -0.002	2.750 +0.003 +0.000	
25002375	2-3/8	2-7/8	1/4	.275 +0.015 +0.000	2.375 +0.000 -0.002	2.376 +0.003 +0.000	2.875 +0.003 +0.000	2.375 +0.000 -0.003	2.874 +0.000 -0.002	2.875 +0.003 +0.000	
25002375-375B	2-3/8	2-7/8	3/8	.413 +0.015 +0.000	2.375 +0.000 -0.002	2.376 +0.003 +0.000	2.875 +0.003 +0.000	2.375 +0.000 -0.003	2.874 +0.000 -0.002	2.875 +0.003 +0.000	
25002500	2-1/2	3	1/4	.275 +0.015 +0.000	2.500 +0.000 -0.002	2.501 +0.003 +0.000	3.000 +0.003 +0.000	2.500 +0.000 -0.003	2.999 +0.000 -0.002	3.000 +0.003 +0.000	
25002500-B	2-1/2	3	1/4	.275 +0.015 +0.000	2.500 +0.000 -0.002	2.501 +0.003 +0.000	3.000 +0.003 +0.000	2.500 +0.000 -0.003	2.999 +0.000 -0.002	3.000 +0.003 +0.000	
25002500-312B	2-1/2	3	5/16	.344 +0.015 +0.000	2.500 +0.000 -0.002	2.501 +0.003 +0.000	3.000 +0.003 +0.000	2.500 +0.000 -0.003	2.999 +0.000 -0.002	3.000 +0.003 +0.000	
25002500-312	2-1/2	3	5/16	.344 +0.015 +0.000	2.500 +0.000 -0.002	2.501 +0.003 +0.000	3.000 +0.003 +0.000	2.500 +0.000 -0.003	2.999 +0.000 -0.002	3.000 +0.003 +0.000	
25002500-375B	2-1/2	3	3/8	.413 +0.015 +0.000	2.500 +0.000 -0.002	2.501 +0.003 +0.000	3.000 +0.003 +0.000	2.500 +0.000 -0.003	2.999 +0.000 -0.002	3.000 +0.003 +0.000	
25002500-375	2-1/2	3	3/8	.413 +0.015 +0.000	2.500 +0.000 -0.002	2.501 +0.003 +0.000	3.000 +0.003 +0.000	2.500 +0.000 -0.003	2.999 +0.000 -0.002	3.000 +0.003 +0.000	
25002500-500B	2-1/2	3	1/2	.550 +0.015 +0.000	2.500 +0.000 -0.002	2.501 +0.003 +0.000	3.000 +0.003 +0.000	2.500 +0.000 -0.003	2.999 +0.000 -0.002	3.000 +0.003 +0.000	
25002625	2-5/8	3-1/8	1/4	.275 +0.015 +0.000	2.625 +0.000 -0.002	2.626 +0.003 +0.000	3.125 +0.003 +0.000	2.625 +0.000 -0.003	3.124 +0.000 -0.002	3.125 +0.003 +0.000	
25002625-375B	2-5/8	3-1/8	3/8	.413 +0.015 +0.000	2.625 +0.000 -0.002	2.626 +0.003 +0.000	3.125 +0.003 +0.000	2.625 +0.000 -0.003	3.124 +0.000 -0.002	3.125 +0.003 +0.000	
25002750	2-3/4	3-1/4	1/4	.275 +0.015 +0.000	2.750 +0.000 -0.002	2.751 +0.003 +0.000	3.250 +0.003 +0.000	2.750 +0.000 -0.003	3.249 +0.000 -0.002	3.250 +0.003 +0.000	
25002750-B	2-3/4	3-1/4	1/4	.275 +0.015 +0.000	2.750 +0.000 -0.002	2.751 +0.003 +0.000	3.250 +0.003 +0.000	2.750 +0.000 -0.003	3.249 +0.000 -0.002	3.250 +0.003 +0.000	
25002750-375B	2-3/4	3-1/4	3/8	.413 +0.015 +0.000	2.750 +0.000 -0.002	2.751 +0.003 +0.000	3.250 +0.003 +0.000	2.750 +0.000 -0.003	3.249 +0.000 -0.002	3.250 +0.003 +0.000	
25002750-375	2-3/4	3-1/4	3/8	.413 +0.015 +0.000	2.750 +0.000 -0.002	2.751 +0.003 +0.000	3.250 +0.003 +0.000	2.750 +0.000 -0.003	3.249 +0.000 -0.002	3.250 +0.003 +0.000	
25002750-500B	2-3/4	3-1/4	1/2	.550 +0.015 +0.000	2.750 +0.000 -0.002	2.751 +0.003 +0.000	3.250 +0.003 +0.000	2.750 +0.000 -0.003	3.249 +0.000 -0.002	3.250 +0.003 +0.000	
25002875	2-7/8	3-3/8	1/4	.275 +0.015 +0.000	2.875 +0.000 -0.002	2.876 +0.003 +0.000	3.375 +0.003 +0.000	2.875 +0.000 -0.003	3.374 +0.000 -0.002	3.375 +0.003 +0.000	
25002875-375B	2-7/8	3-3/8	3/8	.413 +0.015 +0.000	2.875 +0.000 -0.002	2.876 +0.003 +0.000	3.375 +0.003 +0.000	2.875 +0.000 -0.003	3.374 +0.000 -0.002	3.375 +0.003 +0.000	
25003000	3	3-1/2	1/4	.275 +0.015 +0.000	3.000 +0.000 -0.002	3.001 +0.003 +0.000	3.500 +0.003 +0.000	3.000 +0.000 -0.003	3.499 +0.000 -0.002	3.500 +0.003 +0.000	
25003000-B	3	3-1/2	1/4	.275 +0.015 +0.000	3.000 +0.000 -0.002	3.001 +0.003 +0.000	3.500 +0.003 +0.000	3.000 +0.000 -0.003	3.499 +0.000 -0.002	3.500 +0.003 +0.000	
25003000-375B	3	3-1/2	3/8	.413 +0.015 +0.000	3.000 +0.000 -0.002	3.001 +0.003 +0.000	3.500 +0.003 +0.000	3.000 +0.000 -0.003	3.499 +0.000 -0.002	3.500 +0.003 +0.000	
25003000-375	3	3-1/2	3/8	.413 +0.015 +0.000	3.000 +0.000 -0.002	3.001 +0.003 +0.000	3.500 +0.003 +0.000	3.000 +0.000 -0.003	3.499 +0.000 -0.002	3.500 +0.003 +0.000	
25003125	3-1/8	3-5/8	1/4	.275 +0.015 +0.000	3.125 +0.000 -0.002	3.126 +0.003 +0.000	3.625 +0.003 +0.000	3.125 +0.000 -0.003	3.624 +0.000 -0.002	3.625 +0.003 +0.000	

POWERPAK



**4740 EASTPARK DRIVE
HOUSTON, TX 77028
T. 713-869-8003
F. 713-869-8725**

URETHANE POWERPAK

Part Number	A Nom. ID	B Nom. OD	C Nom. Ht	D GROOVE WIDTH	E ROD DIAMETER	F THROAT DIAMETER	G HOUSING DIAMETER	H GROOVE DIAMETER	I PISTON DIAMETER	J BORE DIAMETER
25200312-375B	3-1/8	3-5/8	3/8	.413 ^{+0.015} / _{+0.000}	3.125 ^{+0.000} / _{-0.002}	3.126 ^{+0.003} / _{+0.000}	3.625 ^{+0.003} / _{+0.000}	3.125 ^{+0.000} / _{-0.003}	3.624 ^{+0.000} / _{-0.002}	3.625 ^{+0.003} / _{+0.000}
25003250	3-1/4	3-3/4	1/4	.275 ^{+0.015} / _{+0.000}	3.250 ^{+0.000} / _{-0.002}	3.251 ^{+0.003} / _{+0.000}	3.750 ^{+0.003} / _{+0.000}	3.250 ^{+0.000} / _{-0.003}	3.749 ^{+0.000} / _{-0.002}	3.750 ^{+0.003} / _{+0.000}
25003250-375B	3-1/4	3-3/4	3/8	.413 ^{+0.015} / _{+0.000}	3.250 ^{+0.000} / _{-0.002}	3.251 ^{+0.003} / _{+0.000}	3.750 ^{+0.003} / _{+0.000}	3.250 ^{+0.000} / _{-0.003}	3.749 ^{+0.000} / _{-0.002}	3.750 ^{+0.003} / _{+0.000}
25003250-375	3-1/4	3-3/4	3/8	.413 ^{+0.015} / _{+0.000}	3.250 ^{+0.000} / _{-0.002}	3.251 ^{+0.003} / _{+0.000}	3.750 ^{+0.003} / _{+0.000}	3.250 ^{+0.000} / _{-0.003}	3.749 ^{+0.000} / _{-0.002}	3.750 ^{+0.003} / _{+0.000}
25003250-500B	3-1/4	3-3/4	1/2	.550 ^{+0.015} / _{+0.000}	3.250 ^{+0.000} / _{-0.002}	3.251 ^{+0.003} / _{+0.000}	3.750 ^{+0.003} / _{+0.000}	3.250 ^{+0.000} / _{-0.003}	3.749 ^{+0.000} / _{-0.002}	3.750 ^{+0.003} / _{+0.000}
25003375	3-3/8	3-7/8	1/4	.275 ^{+0.015} / _{+0.000}	3.375 ^{+0.000} / _{-0.002}	3.376 ^{+0.003} / _{+0.000}	3.875 ^{+0.003} / _{+0.000}	3.375 ^{+0.000} / _{-0.003}	3.874 ^{+0.000} / _{-0.002}	3.875 ^{+0.003} / _{+0.000}
25003375-B	3-3/8	3-7/8	1/4	.275 ^{+0.015} / _{+0.000}	3.375 ^{+0.000} / _{-0.002}	3.376 ^{+0.003} / _{+0.000}	3.875 ^{+0.003} / _{+0.000}	3.375 ^{+0.000} / _{-0.003}	3.874 ^{+0.000} / _{-0.002}	3.875 ^{+0.003} / _{+0.000}
25003375-375B	3-3/8	3-7/8	3/8	.413 ^{+0.015} / _{+0.000}	3.375 ^{+0.000} / _{-0.002}	3.376 ^{+0.003} / _{+0.000}	3.875 ^{+0.003} / _{+0.000}	3.375 ^{+0.000} / _{-0.003}	3.874 ^{+0.000} / _{-0.002}	3.875 ^{+0.003} / _{+0.000}
25003500	3-1/2	4	1/4	.275 ^{+0.015} / _{+0.000}	3.500 ^{+0.000} / _{-0.002}	3.501 ^{+0.003} / _{+0.000}	4.000 ^{+0.003} / _{+0.000}	3.500 ^{+0.000} / _{-0.003}	3.999 ^{+0.000} / _{-0.002}	4.000 ^{+0.003} / _{+0.000}
25003500-B	3-1/2	4	1/4	.275 ^{+0.015} / _{+0.000}	3.500 ^{+0.000} / _{-0.002}	3.501 ^{+0.003} / _{+0.000}	4.000 ^{+0.003} / _{+0.000}	3.500 ^{+0.000} / _{-0.003}	3.999 ^{+0.000} / _{-0.002}	4.000 ^{+0.003} / _{+0.000}
25003500-375B	3-1/2	4	3/8	.413 ^{+0.015} / _{+0.000}	3.500 ^{+0.000} / _{-0.002}	3.501 ^{+0.003} / _{+0.000}	4.000 ^{+0.003} / _{+0.000}	3.500 ^{+0.000} / _{-0.003}	3.999 ^{+0.000} / _{-0.002}	4.000 ^{+0.003} / _{+0.000}
25003500-375	3-1/2	4	3/8	.413 ^{+0.015} / _{+0.000}	3.500 ^{+0.000} / _{-0.002}	3.501 ^{+0.003} / _{+0.000}	4.000 ^{+0.003} / _{+0.000}	3.500 ^{+0.000} / _{-0.003}	3.999 ^{+0.000} / _{-0.002}	4.000 ^{+0.003} / _{+0.000}
25003500-500B	3-1/2	4	1/2	.550 ^{+0.015} / _{+0.000}	3.500 ^{+0.000} / _{-0.002}	3.501 ^{+0.003} / _{+0.000}	4.000 ^{+0.003} / _{+0.000}	3.500 ^{+0.000} / _{-0.003}	3.999 ^{+0.000} / _{-0.002}	4.000 ^{+0.003} / _{+0.000}
25003500-500	3-1/2	4	1/2	.550 ^{+0.015} / _{+0.000}	3.500 ^{+0.000} / _{-0.002}	3.501 ^{+0.003} / _{+0.000}	4.000 ^{+0.003} / _{+0.000}	3.500 ^{+0.000} / _{-0.003}	3.999 ^{+0.000} / _{-0.002}	4.000 ^{+0.003} / _{+0.000}
25003625	3-5/8	4-1/8	1/4	.275 ^{+0.015} / _{+0.000}	3.625 ^{+0.000} / _{-0.002}	3.626 ^{+0.003} / _{+0.000}	4.125 ^{+0.003} / _{+0.000}	3.625 ^{+0.000} / _{-0.003}	4.124 ^{+0.000} / _{-0.002}	4.125 ^{+0.003} / _{+0.000}
25003690-500B	3.69	4.19	1/2	.550 ^{+0.015} / _{+0.000}	3.690 ^{+0.000} / _{-0.002}	3.691 ^{+0.003} / _{+0.000}	4.190 ^{+0.003} / _{+0.000}	3.690 ^{+0.000} / _{-0.003}	4.189 ^{+0.000} / _{-0.002}	4.190 ^{+0.003} / _{+0.000}
25003750-B	3-3/4	4-1/4	1/4	.275 ^{+0.015} / _{+0.000}	3.750 ^{+0.000} / _{-0.002}	3.751 ^{+0.003} / _{+0.000}	4.250 ^{+0.003} / _{+0.000}	3.750 ^{+0.000} / _{-0.003}	4.249 ^{+0.000} / _{-0.002}	4.250 ^{+0.003} / _{+0.000}
25003750-375B	3-3/4	4-1/4	3/8	.413 ^{+0.015} / _{+0.000}	3.750 ^{+0.000} / _{-0.002}	3.751 ^{+0.003} / _{+0.000}	4.250 ^{+0.003} / _{+0.000}	3.750 ^{+0.000} / _{-0.003}	4.249 ^{+0.000} / _{-0.002}	4.250 ^{+0.003} / _{+0.000}
25003750-500B	3-3/4	4-1/4	1/2	.550 ^{+0.015} / _{+0.000}	3.750 ^{+0.000} / _{-0.002}	3.751 ^{+0.003} / _{+0.000}	4.250 ^{+0.003} / _{+0.000}	3.750 ^{+0.000} / _{-0.003}	4.249 ^{+0.000} / _{-0.002}	4.250 ^{+0.003} / _{+0.000}
25003750-562B	3-3/4	4-1/4	9/16	.619 ^{+0.015} / _{+0.000}	3.750 ^{+0.000} / _{-0.002}	3.751 ^{+0.003} / _{+0.000}	4.250 ^{+0.003} / _{+0.000}	3.750 ^{+0.000} / _{-0.003}	4.249 ^{+0.000} / _{-0.002}	4.250 ^{+0.003} / _{+0.000}
25003875	3-7/8	4-3/8	1/4	.275 ^{+0.015} / _{+0.000}	3.875 ^{+0.000} / _{-0.002}	3.876 ^{+0.003} / _{+0.000}	4.375 ^{+0.003} / _{+0.000}	3.875 ^{+0.000} / _{-0.003}	4.374 ^{+0.000} / _{-0.002}	4.375 ^{+0.003} / _{+0.000}
25004000	4	4-1/2	1/4	.275 ^{+0.015} / _{+0.000}	4.000 ^{+0.000} / _{-0.002}	4.001 ^{+0.003} / _{+0.000}	4.500 ^{+0.003} / _{+0.000}	4.000 ^{+0.000} / _{-0.003}	4.499 ^{+0.000} / _{-0.002}	4.500 ^{+0.003} / _{+0.000}
25004000-B	4	4-1/2	1/4	.275 ^{+0.015} / _{+0.000}	4.000 ^{+0.000} / _{-0.002}	4.001 ^{+0.003} / _{+0.000}	4.500 ^{+0.003} / _{+0.000}	4.000 ^{+0.000} / _{-0.003}	4.499 ^{+0.000} / _{-0.002}	4.500 ^{+0.003} / _{+0.000}
25004000-312B	4	4-1/2	5/16	.344 ^{+0.015} / _{+0.000}	4.000 ^{+0.000} / _{-0.002}	4.001 ^{+0.003} / _{+0.000}	4.500 ^{+0.003} / _{+0.000}	4.000 ^{+0.000} / _{-0.003}	4.499 ^{+0.000} / _{-0.002}	4.500 ^{+0.003} / _{+0.000}
25004000-375B	4	4-1/2	3/8	.413 ^{+0.015} / _{+0.000}	4.000 ^{+0.000} / _{-0.002}	4.001 ^{+0.003} / _{+0.000}	4.500 ^{+0.003} / _{+0.000}	4.000 ^{+0.000} / _{-0.003}	4.499 ^{+0.000} / _{-0.002}	4.500 ^{+0.003} / _{+0.000}
25004000-375	4	4-1/2	3/8	.413 ^{+0.015} / _{+0.000}	4.000 ^{+0.000} / _{-0.002}	4.001 ^{+0.003} / _{+0.000}	4.500 ^{+0.003} / _{+0.000}	4.000 ^{+0.000} / _{-0.003}	4.499 ^{+0.000} / _{-0.002}	4.500 ^{+0.003} / _{+0.000}
25004000-500B	4	4-1/2	1/2	.550 ^{+0.015} / _{+0.000}	4.000 ^{+0.000} / _{-0.002}	4.001 ^{+0.003} / _{+0.000}	4.500 ^{+0.003} / _{+0.000}	4.000 ^{+0.000} / _{-0.003}	4.499 ^{+0.000} / _{-0.002}	4.500 ^{+0.003} / _{+0.000}
25004000-500	4	4-1/2	1/2	.550 ^{+0.015} / _{+0.000}	4.000 ^{+0.000} / _{-0.002}	4.001 ^{+0.003} / _{+0.000}	4.500 ^{+0.003} / _{+0.000}	4.000 ^{+0.000} / _{-0.003}	4.499 ^{+0.000} / _{-0.002}	4.500 ^{+0.003} / _{+0.000}
25004000-562B	4	4-1/2	9/16	.619 ^{+0.015} / _{+0.000}	4.000 ^{+0.000} / _{-0.002}	4.001 ^{+0.003} / _{+0.000}	4.500 ^{+0.003} / _{+0.000}	4.000 ^{+0.000} / _{-0.003}	4.499 ^{+0.000} / _{-0.002}	4.500 ^{+0.003} / _{+0.000}
25004000-562	4	4-1/2	9/16	.619 ^{+0.015} / _{+0.000}	4.000 ^{+0.000} / _{-0.002}	4.001 ^{+0.003} / _{+0.000}	4.500 ^{+0.003} / _{+0.000}	4.000 ^{+0.000} / _{-0.003}	4.499 ^{+0.000} / _{-0.002}	4.500 ^{+0.003} / _{+0.000}
25004125	4-1/8	4-5/8	1/4	.275 ^{+0.015} / _{+0.000}	4.125 ^{+0.000} / _{-0.002}	4.126 ^{+0.003} / _{+0.000}	4.625 ^{+0.003} / _{+0.000}	4.125 ^{+0.000} / _{-0.003}	4.624 ^{+0.000} / _{-0.002}	4.625 ^{+0.003} / _{+0.000}

POWERPAK



**4740 EASTPARK DRIVE
HOUSTON, TX 77028
T. 713-869-8003
F. 713-869-8725**

URETHANE POWERPAK

Part Number	A Nom. ID	B Nom. OD	C Nom. Ht	D GROOVE WIDTH	E ROD DIAMETER	F THROAT DIAMETER	G HOUSING DIAMETER	H GROOVE DIAMETER	I PISTON DIAMETER	J BORE DIAMETER
25004125-375B	4-1/8	4-5/8	3/8	.413 +.015 +.000	4.125 +.000 -.002	4.126 +.003 +.000	4.625 +.003 +.000	4.125 +.000 -.003	4.624 +.000 -.002	4.625 +.003 +.000
25004250	4-1/4	4-3/4	1/4	.275 +.015 +.000	4.250 +.000 -.002	4.251 +.003 +.000	4.750 +.003 +.000	4.250 +.000 -.003	4.749 +.000 -.002	4.750 +.003 +.000
25004250-375B	4-1/4	4-3/4	3/8	.413 +.015 +.000	4.250 +.000 -.002	4.251 +.003 +.000	4.750 +.003 +.000	4.250 +.000 -.003	4.749 +.000 -.002	4.750 +.003 +.000
25004250-562B	4-1/4	4-3/4	9/16	.619 +.015 +.000	4.250 +.000 -.002	4.251 +.003 +.000	4.750 +.003 +.000	4.250 +.000 -.003	4.749 +.000 -.002	4.750 +.003 +.000
25004375-B	4-3/8	4-7/8	1/4	.275 +.015 +.000	4.375 +.000 -.002	4.376 +.003 +.000	4.875 +.003 +.000	4.375 +.000 -.003	4.874 +.000 -.002	4.875 +.003 +.000
25004375-562B	4-3/8	4-7/8	9/16	.619 +.015 +.000	4.375 +.000 -.002	4.376 +.003 +.000	4.875 +.003 +.000	4.375 +.000 -.003	4.874 +.000 -.002	4.875 +.003 +.000
25004500	4-1/2	5	1/4	.275 +.015 +.000	4.500 +.000 -.002	4.501 +.003 +.000	5.000 +.003 +.000	4.500 +.000 -.003	4.999 +.000 -.002	5.000 +.003 +.000
25004500-312B	4-1/2	5	5/16	.344 +.015 +.000	4.500 +.000 -.002	4.501 +.003 +.000	5.000 +.003 +.000	4.500 +.000 -.003	4.999 +.000 -.002	5.000 +.003 +.000
25004500-375B	4-1/2	5	3/8	.413 +.015 +.000	4.500 +.000 -.002	4.501 +.003 +.000	5.000 +.003 +.000	4.500 +.000 -.003	4.999 +.000 -.002	5.000 +.003 +.000
25004500-375	4-1/2	5	3/8	.413 +.015 +.000	4.500 +.000 -.002	4.501 +.003 +.000	5.000 +.003 +.000	4.500 +.000 -.003	4.999 +.000 -.002	5.000 +.003 +.000
25004500-500B	4-1/2	5	1/2	.550 +.015 +.000	4.500 +.000 -.002	4.501 +.003 +.000	5.000 +.003 +.000	4.500 +.000 -.003	4.999 +.000 -.002	5.000 +.003 +.000
25004500-500	4-1/2	5	1/2	.550 +.015 +.000	4.500 +.000 -.002	4.501 +.003 +.000	5.000 +.003 +.000	4.500 +.000 -.003	4.999 +.000 -.002	5.000 +.003 +.000
25004500-562B	4-1/2	5	9/16	.619 +.015 +.000	4.500 +.000 -.002	4.501 +.003 +.000	5.000 +.003 +.000	4.500 +.000 -.003	4.999 +.000 -.002	5.000 +.003 +.000
25004500-562	4-1/2	5	9/16	.619 +.015 +.000	4.500 +.000 -.002	4.501 +.003 +.000	5.000 +.003 +.000	4.500 +.000 -.003	4.999 +.000 -.002	5.000 +.003 +.000
25004500-625B	4-1/2	5	5/8	.688 +.015 +.000	4.500 +.000 -.002	4.501 +.003 +.000	5.000 +.003 +.000	4.500 +.000 -.003	4.999 +.000 -.002	5.000 +.003 +.000
25004625-B	4-5/8	5-1/8	1/4	.275 +.015 +.000	4.625 +.000 -.002	4.626 +.003 +.000	5.125 +.003 +.000	4.625 +.000 -.003	5.124 +.000 -.002	5.125 +.003 +.000
25004625-562B	4-5/8	5-1/8	9/16	.619 +.015 +.000	4.625 +.000 -.002	4.626 +.003 +.000	5.125 +.003 +.000	4.625 +.000 -.003	5.124 +.000 -.002	5.125 +.003 +.000
25004750	4-3/4	5-1/4	1/4	.275 +.015 +.000	4.750 +.000 -.002	4.751 +.003 +.000	5.250 +.003 +.000	4.750 +.000 -.003	5.249 +.000 -.002	5.250 +.003 +.000
25004750-375B	4-3/4	5-1/4	3/8	.413 +.015 +.000	4.750 +.000 -.002	4.751 +.003 +.000	5.250 +.003 +.000	4.750 +.000 -.003	5.249 +.000 -.002	5.250 +.003 +.000
25004750-562B	4-3/4	5-1/4	9/16	.619 +.015 +.000	4.750 +.000 -.002	4.751 +.003 +.000	5.250 +.003 +.000	4.750 +.000 -.003	5.249 +.000 -.002	5.250 +.003 +.000
25004875	4-7/8	5-3/8	1/4	.275 +.015 +.000	4.875 +.000 -.002	4.876 +.003 +.000	5.375 +.003 +.000	4.875 +.000 -.003	5.374 +.000 -.002	5.375 +.003 +.000
25005000	5	5-1/2	1/4	.275 +.015 +.000	5.000 +.000 -.002	5.001 +.003 +.000	5.500 +.003 +.000	5.000 +.000 -.003	5.499 +.000 -.002	5.500 +.003 +.000
25005000-375B	5	5-1/2	3/8	.413 +.015 +.000	5.000 +.000 -.002	5.001 +.003 +.000	5.500 +.003 +.000	5.000 +.000 -.003	5.499 +.000 -.002	5.500 +.003 +.000
25005000-500B	5	5-1/2	1/2	.550 +.015 +.000	5.000 +.000 -.002	5.001 +.003 +.000	5.500 +.003 +.000	5.000 +.000 -.003	5.499 +.000 -.002	5.500 +.003 +.000
25005000-500	5	5-1/2	1/2	.550 +.015 +.000	5.000 +.000 -.002	5.001 +.003 +.000	5.500 +.003 +.000	5.000 +.000 -.003	5.499 +.000 -.002	5.500 +.003 +.000
25005000-562B	5	5-1/2	9/16	.619 +.015 +.000	5.000 +.000 -.002	5.001 +.003 +.000	5.500 +.003 +.000	5.000 +.000 -.003	5.499 +.000 -.002	5.500 +.003 +.000
25005125	5-1/8	5-5/8	1/4	.275 +.015 +.000	5.125 +.000 -.002	5.126 +.003 +.000	5.625 +.003 +.000	5.125 +.000 -.003	5.624 +.000 -.002	5.625 +.003 +.000
25005250	5-1/4	5-3/4	1/4	.275 +.015 +.000	5.250 +.000 -.002	5.251 +.003 +.000	5.750 +.003 +.000	5.250 +.000 -.003	5.749 +.000 -.002	5.750 +.003 +.000
25005250-B	5-1/4	5-3/4	1/4	.275 +.015 +.000	5.250 +.000 -.002	5.251 +.003 +.000	5.750 +.003 +.000	5.250 +.000 -.003	5.749 +.000 -.002	5.750 +.003 +.000
25005250-375B	5-1/4	5-3/4	3/8	.413 +.015 +.000	5.250 +.000 -.002	5.251 +.003 +.000	5.750 +.003 +.000	5.250 +.000 -.003	5.749 +.000 -.002	5.750 +.003 +.000
25005250-562B	5-1/4	5-3/4	9/16	.619 +.015 +.000	5.250 +.000 -.002	5.251 +.003 +.000	5.750 +.003 +.000	5.250 +.000 -.003	5.749 +.000 -.002	5.750 +.003 +.000
25005375	5-3/8	5-7/8	1/4	.275 +.015 +.000	5.375 +.000 -.002	5.376 +.003 +.000	5.875 +.003 +.000	5.375 +.000 -.003	5.874 +.000 -.002	5.875 +.003 +.000
25005500	5-1/2	6	1/4	.275 +.015 +.000	5.500 +.000 -.002	5.501 +.003 +.000	6.000 +.003 +.000	5.500 +.000 -.003	5.999 +.000 -.002	6.000 +.003 +.000

POWERPAK



**4740 EASTPARK DRIVE
HOUSTON, TX 77028
T. 713-869-8003
F. 713-869-8725**

URETHANE POWERPAK

Part Number	A Nom. ID	B Nom. OD	C Nom. Ht	D GROOVE WIDTH	E ROD DIAMETER	F THROAT DIAMETER	G HOUSING DIAMETER	H GROOVE DIAMETER	I PISTON DIAMETER	J BORE DIAMETER
25005500-B	5-1/2	6	1/4	.275 +.015 +.000	5.500 +.000 -.002	5.501 +.003 +.000	6.000 +.003 +.000	5.500 +.000 -.003	5.999 +.000 -.002	6.000 +.003 +.000
25005500-375B	5-1/2	6	3/8	.413 +.015 +.000	5.500 +.000 -.002	5.501 +.003 +.000	6.000 +.003 +.000	5.500 +.000 -.003	5.999 +.000 -.002	6.000 +.003 +.000
25005500-500	5-1/2	6	1/2	.550 +.015 +.000	5.500 +.000 -.002	5.501 +.003 +.000	6.000 +.003 +.000	5.500 +.000 -.003	5.999 +.000 -.002	6.000 +.003 +.000
25005500-562B	5-1/2	6	9/16	.619 +.015 +.000	5.500 +.000 -.002	5.501 +.003 +.000	6.000 +.003 +.000	5.500 +.000 -.003	5.999 +.000 -.002	6.000 +.003 +.000
25005500-562	5-1/2	6	9/16	.619 +.015 +.000	5.500 +.000 -.002	5.501 +.003 +.000	6.000 +.003 +.000	5.500 +.000 -.003	5.999 +.000 -.002	6.000 +.003 +.000
25005500-625	5-1/2	6	5/8	.688 +.015 +.000	5.500 +.000 -.002	5.501 +.003 +.000	6.000 +.003 +.000	5.500 +.000 -.003	5.999 +.000 -.002	6.000 +.003 +.000
25005625	5-5/8	6-1/8	1/4	.275 +.015 +.000	5.625 +.000 -.002	5.626 +.003 +.000	6.125 +.003 +.000	5.625 +.000 -.003	6.124 +.000 -.002	6.125 +.003 +.000
25005750	5-3/4	6-1/4	1/4	.275 +.015 +.000	5.750 +.000 -.002	5.751 +.003 +.000	6.250 +.003 +.000	5.750 +.000 -.003	6.249 +.000 -.002	6.250 +.003 +.000
25005750-375B	5-3/4	6-1/4	3/8	.413 +.015 +.000	5.750 +.000 -.002	5.751 +.003 +.000	6.250 +.003 +.000	5.750 +.000 -.003	6.249 +.000 -.002	6.250 +.003 +.000
25005750-562B	5-3/4	6-1/4	9/16	.619 +.015 +.000	5.750 +.000 -.002	5.751 +.003 +.000	6.250 +.003 +.000	5.750 +.000 -.003	6.249 +.000 -.002	6.250 +.003 +.000
25006000	6	6-1/2	1/4	.275 +.015 +.000	6.000 +.000 -.002	6.001 +.003 +.000	6.500 +.003 +.000	6.000 +.000 -.003	6.499 +.000 -.002	6.500 +.003 +.000
25006000-375B	6	6-1/2	3/8	.413 +.015 +.000	6.000 +.000 -.002	6.001 +.003 +.000	6.500 +.003 +.000	6.000 +.000 -.003	6.499 +.000 -.002	6.500 +.003 +.000
25006000-375	6	6-1/2	3/8	.413 +.015 +.000	6.000 +.000 -.002	6.001 +.003 +.000	6.500 +.003 +.000	6.000 +.000 -.003	6.499 +.000 -.002	6.500 +.003 +.000
25006000-562B	6	6-1/2	9/16	.619 +.015 +.000	6.000 +.000 -.002	6.001 +.003 +.000	6.500 +.003 +.000	6.000 +.000 -.003	6.499 +.000 -.002	6.500 +.003 +.000
25006000-562	6	6-1/2	9/16	.619 +.015 +.000	6.000 +.000 -.002	6.001 +.003 +.000	6.500 +.003 +.000	6.000 +.000 -.003	6.499 +.000 -.002	6.500 +.003 +.000
25006250	6-1/4	6-3/4	1/4	.275 +.015 +.000	6.250 +.000 -.002	6.251 +.003 +.000	6.750 +.003 +.000	6.250 +.000 -.003	6.749 +.000 -.002	6.750 +.003 +.000
25006250-375B	6-1/4	6-3/4	3/8	.413 +.015 +.000	6.250 +.000 -.002	6.251 +.003 +.000	6.750 +.003 +.000	6.250 +.000 -.003	6.749 +.000 -.002	6.750 +.003 +.000
25006500	6-1/2	7	1/4	.275 +.015 +.000	6.500 +.000 -.002	6.501 +.003 +.000	7.000 +.003 +.000	6.500 +.000 -.003	6.999 +.000 -.002	7.000 +.003 +.000
25006500-B	6-1/2	7	1/4	.275 +.015 +.000	6.500 +.000 -.002	6.501 +.003 +.000	7.000 +.003 +.000	6.500 +.000 -.003	6.999 +.000 -.002	7.000 +.003 +.000
25006500-375	6-1/2	7	3/8	.413 +.015 +.000	6.500 +.000 -.002	6.501 +.003 +.000	7.000 +.003 +.000	6.500 +.000 -.003	6.999 +.000 -.002	7.000 +.003 +.000
25006500-562B	6-1/2	7	9/16	.619 +.015 +.000	6.500 +.000 -.002	6.501 +.003 +.000	7.000 +.003 +.000	6.500 +.000 -.003	6.999 +.000 -.002	7.000 +.003 +.000
25006750	6-3/4	7-1/4	1/4	.275 +.015 +.000	6.750 +.000 -.002	6.751 +.003 +.000	7.250 +.003 +.000	6.750 +.000 -.003	7.249 +.000 -.002	7.250 +.003 +.000
25006750-375B	6-3/4	7-1/4	3/8	.413 +.015 +.000	6.750 +.000 -.002	6.751 +.003 +.000	7.250 +.003 +.000	6.750 +.000 -.003	7.249 +.000 -.002	7.250 +.003 +.000
25006750-562B	6-3/4	7-1/4	9/16	.619 +.015 +.000	6.750 +.000 -.002	6.751 +.003 +.000	7.250 +.003 +.000	6.750 +.000 -.003	7.249 +.000 -.002	7.250 +.003 +.000
25006750-562	6-3/4	7-1/4	9/16	.619 +.015 +.000	6.750 +.000 -.002	6.751 +.003 +.000	7.250 +.003 +.000	6.750 +.000 -.003	7.249 +.000 -.002	7.250 +.003 +.000
25007000	7	7-1/2	1/4	.275 +.015 +.000	7.000 +.000 -.002	7.001 +.003 +.000	7.500 +.003 +.000	7.000 +.000 -.003	7.499 +.000 -.002	7.500 +.003 +.000
25007000-375B	7	7-1/2	3/8	.413 +.015 +.000	7.000 +.000 -.002	7.001 +.003 +.000	7.500 +.003 +.000	7.000 +.000 -.003	7.499 +.000 -.002	7.500 +.003 +.000
25007000-562B	7	7-1/2	9/16	.619 +.015 +.000	7.000 +.000 -.002	7.001 +.003 +.000	7.500 +.003 +.000	7.000 +.000 -.003	7.499 +.000 -.002	7.500 +.003 +.000
25007250	7-1/4	7-3/4	1/4	.275 +.015 +.000	7.250 +.000 -.002	7.251 +.003 +.000	7.750 +.003 +.000	7.250 +.000 -.003	7.749 +.000 -.002	7.750 +.003 +.000
25007500	7-1/2	8	1/4	.275 +.015 +.000	7.500 +.000 -.002	7.501 +.003 +.000	8.000 +.003 +.000	7.500 +.000 -.003	7.999 +.000 -.002	8.000 +.003 +.000
25007500-B	7-1/2	8	1/4	.275 +.015 +.000	7.500 +.000 -.002	7.501 +.003 +.000	8.000 +.003 +.000	7.500 +.000 -.003	7.999 +.000 -.002	8.000 +.003 +.000
25007500-562B	7-1/2	8	9/16	.619 +.015 +.000	7.500 +.000 -.002	7.501 +.003 +.000	8.000 +.003 +.000	7.500 +.000 -.003	7.999 +.000 -.002	8.000 +.003 +.000
25007750	7-3/4	8-1/4	1/4	.275 +.015 +.000	7.750 +.000 -.002	7.751 +.003 +.000	8.250 +.003 +.000	7.750 +.000 -.003	8.249 +.000 -.002	8.250 +.003 +.000

POWERPAK



**4740 EASTPARK DRIVE
HOUSTON, TX 77028
T. 713-869-8003
F. 713-869-8725**

URETHANE POWERPAK

Part Number	A Nom. ID	B Nom. OD	C Nom. Ht	D GROOVE WIDTH	E ROD DIAMETER	F THROAT DIAMETER	G HOUSING DIAMETER	H GROOVE DIAMETER	I PISTON DIAMETER	J BORE DIAMETER	
25008000	8	8-1/2	1/4	.275 ^{+0.015} / _{+0.000}	8.000 ^{+0.000} / _{-0.002}	8.001 ^{+0.003} / _{+0.000}	8.500 ^{+0.003} / _{+0.000}	8.000 ^{+0.000} / _{-0.003}	8.499 ^{+0.000} / _{-0.002}	8.500 ^{+0.003} / _{+0.000}	
25008000-562B	8	8-1/2	9/16	.619 ^{+0.015} / _{+0.000}	8.000 ^{+0.000} / _{-0.002}	8.001 ^{+0.003} / _{+0.000}	8.500 ^{+0.003} / _{+0.000}	8.000 ^{+0.000} / _{-0.003}	8.499 ^{+0.000} / _{-0.002}	8.500 ^{+0.003} / _{+0.000}	
25008125-562B	8-1/8	8-5/8	9/16	.619 ^{+0.015} / _{+0.000}	8.125 ^{+0.000} / _{-0.002}	8.126 ^{+0.003} / _{+0.000}	8.625 ^{+0.003} / _{+0.000}	8.125 ^{+0.000} / _{-0.003}	8.624 ^{+0.000} / _{-0.002}	8.625 ^{+0.003} / _{+0.000}	
25008250-562B	8-1/4	8-3/4	9/16	.619 ^{+0.015} / _{+0.000}	8.250 ^{+0.000} / _{-0.002}	8.251 ^{+0.003} / _{+0.000}	8.750 ^{+0.003} / _{+0.000}	8.250 ^{+0.000} / _{-0.003}	8.749 ^{+0.000} / _{-0.002}	8.750 ^{+0.003} / _{+0.000}	
25008500	8-1/2	9	1/4	.275 ^{+0.015} / _{+0.000}	8.500 ^{+0.000} / _{-0.002}	8.501 ^{+0.003} / _{+0.000}	9.000 ^{+0.000} / _{+0.000}	8.500 ^{+0.000} / _{-0.003}	8.999 ^{+0.000} / _{-0.002}	9.000 ^{+0.003} / _{+0.000}	
25008500-562B	8-1/2	9	9/16	.619 ^{+0.015} / _{+0.000}	8.500 ^{+0.000} / _{-0.002}	8.501 ^{+0.003} / _{+0.000}	9.000 ^{+0.003} / _{+0.000}	8.500 ^{+0.000} / _{-0.003}	8.999 ^{+0.000} / _{-0.002}	9.000 ^{+0.003} / _{+0.000}	
25009000	9	9-1/2	1/4	.275 ^{+0.015} / _{+0.000}	9.000 ^{+0.000} / _{-0.002}	9.001 ^{+0.003} / _{+0.000}	9.500 ^{+0.003} / _{+0.000}	9.000 ^{+0.000} / _{-0.003}	9.499 ^{+0.000} / _{-0.002}	9.500 ^{+0.003} / _{+0.000}	
25009500	9-1/2	10	1/4	.275 ^{+0.015} / _{+0.000}	9.500 ^{+0.000} / _{-0.002}	9.501 ^{+0.003} / _{+0.000}	10.000 ^{+0.003} / _{+0.000}	9.500 ^{+0.000} / _{-0.003}	9.999 ^{+0.000} / _{-0.002}	10.000 ^{+0.003} / _{+0.000}	
25009500-562B	9-1/2	10	9/16	.619 ^{+0.015} / _{+0.000}	9.500 ^{+0.000} / _{-0.002}	9.501 ^{+0.003} / _{+0.000}	10.000 ^{+0.003} / _{+0.000}	9.500 ^{+0.000} / _{-0.003}	9.999 ^{+0.000} / _{-0.002}	10.000 ^{+0.003} / _{+0.000}	
25009750	9-3/4	10-1/4	1/4	.275 ^{+0.015} / _{+0.000}	9.750 ^{+0.000} / _{-0.002}	9.751 ^{+0.003} / _{+0.000}	10.250 ^{+0.003} / _{+0.000}	9.750 ^{+0.000} / _{-0.003}	10.249 ^{+0.000} / _{-0.002}	10.250 ^{+0.003} / _{+0.000}	
25010000	10	10-1/2	1/4	.275 ^{+0.015} / _{+0.000}	10.000 ^{+0.000} / _{-0.002}	10.001 ^{+0.003} / _{+0.000}	10.500 ^{+0.003} / _{+0.000}	10.000 ^{+0.000} / _{-0.003}	10.499 ^{+0.000} / _{-0.002}	10.500 ^{+0.003} / _{+0.000}	
25010000-562B	10	10-1/2	9/16	.619 ^{+0.015} / _{+0.000}	10.000 ^{+0.000} / _{-0.002}	10.001 ^{+0.003} / _{+0.000}	10.500 ^{+0.003} / _{+0.000}	10.000 ^{+0.000} / _{-0.003}	10.499 ^{+0.000} / _{-0.002}	10.500 ^{+0.003} / _{+0.000}	
25010250	10-1/4	10-3/4	1/4	.275 ^{+0.015} / _{+0.000}	10.250 ^{+0.000} / _{-0.002}	10.251 ^{+0.003} / _{+0.000}	10.750 ^{+0.003} / _{+0.000}	10.250 ^{+0.000} / _{-0.003}	10.749 ^{+0.000} / _{-0.002}	10.750 ^{+0.003} / _{+0.000}	
25013500	13-1/2	14	1/4	.275 ^{+0.015} / _{+0.000}	13.500 ^{+0.000} / _{-0.002}	13.501 ^{+0.003} / _{+0.000}	14.000 ^{+0.003} / _{+0.000}	13.500 ^{+0.000} / _{-0.003}	13.999 ^{+0.000} / _{-0.002}	14.000 ^{+0.003} / _{+0.000}	
.27" C/S											
27501970-500B	1.97	2.51	1/2	.550 ^{+0.015} / _{+0.000}	1.970 ^{+0.000} / _{-0.002}	1.971 ^{+0.003} / _{+0.000}	2.510 ^{+0.003} / _{+0.000}	1.970 ^{+0.000} / _{-0.003}	2.509 ^{-0.002} / _{+0.000}	2.510 ^{+0.003} / _{+0.000}	
.275" C/S											
27502970-500B	2.97	3.52	1/2	.550 ^{+0.015} / _{+0.000}	2.970 ^{+0.000} / _{-0.002}	2.971 ^{+0.003} / _{+0.000}	3.520 ^{+0.003} / _{+0.000}	2.970 ^{+0.000} / _{-0.003}	3.519 ^{-0.002} / _{+0.000}	3.520 ^{+0.003} / _{+0.000}	
27503970-500B	3.97	4.52	1/2	.550 ^{+0.015} / _{+0.000}	3.970 ^{+0.000} / _{-0.002}	3.971 ^{+0.003} / _{+0.000}	4.520 ^{+0.003} / _{+0.000}	3.970 ^{+0.000} / _{-0.003}	4.519 ^{-0.002} / _{+0.000}	4.520 ^{+0.003} / _{+0.000}	
9/32" C/S											
28101000	1	1-9/16	9/32	.310 ^{+0.015} / _{+0.000}	1.000 ^{+0.000} / _{-0.002}	1.001 ^{+0.003} / _{+0.000}	1.563 ^{+0.003} / _{+0.000}	1.000 ^{+0.000} / _{-0.003}	1.561 ^{+0.000} / _{-0.002}	1.563 ^{+0.003} / _{+0.000}	
28103187-500B	3-3/16	3-3/4	1/2	.550 ^{+0.015} / _{+0.000}	3.187 ^{+0.000} / _{-0.002}	3.189 ^{+0.003} / _{+0.000}	3.750 ^{+0.003} / _{+0.000}	3.187 ^{+0.000} / _{-0.003}	3.749 ^{+0.000} / _{-0.002}	3.750 ^{+0.003} / _{+0.000}	
28105437	5-7/16	6	9/32	.310 ^{+0.015} / _{+0.000}	5.437 ^{+0.000} / _{-0.002}	5.439 ^{+0.003} / _{+0.000}	6.000 ^{+0.003} / _{+0.000}	5.437 ^{+0.000} / _{-0.003}	5.999 ^{+0.000} / _{-0.002}	6.000 ^{+0.003} / _{+0.000}	
28105437-562B	5-7/16	6	9/16	.619 ^{+0.015} / _{+0.000}	5.437 ^{+0.000} / _{-0.002}	5.439 ^{+0.003} / _{+0.000}	6.000 ^{+0.003} / _{+0.000}	5.437 ^{+0.000} / _{-0.003}	5.999 ^{+0.000} / _{-0.002}	6.000 ^{+0.003} / _{+0.000}	
.285" C/S											
28102200-500B	2.2	2.77	1/2	.550 ^{+0.015} / _{+0.000}	2.200 ^{+0.000} / _{-0.002}	2.201 ^{+0.003} / _{+0.000}	2.770 ^{+0.003} / _{+0.000}	2.200 ^{+0.000} / _{-0.003}	2.769 ^{+0.000} / _{-0.002}	2.770 ^{+0.003} / _{+0.000}	
28103200-500B	3.2	3.77	1/2	.550 ^{+0.015} / _{+0.000}	3.200 ^{+0.000} / _{-0.002}	3.201 ^{+0.003} / _{+0.000}	3.770 ^{+0.003} / _{+0.000}	3.200 ^{+0.000} / _{-0.003}	3.769 ^{+0.000} / _{-0.002}	3.770 ^{+0.003} / _{+0.000}	
5/16" C/S											
31200250	1/4	7/8	5/16	.344 ^{+0.015} / _{+0.000}	.250 ^{+0.000} / _{-0.002}	.252 ^{+0.003} / _{+0.000}	.875 ^{+0.004} / _{+0.000}	.250 ^{+0.000} / _{-0.004}	.873 ^{+0.000} / _{-0.002}	.875 ^{+0.003} / _{+0.000}	
31200375	3/8	1	5/16	.344 ^{+0.015} / _{+0.000}	.375 ^{+0.000} / _{-0.002}	.377 ^{+0.003} / _{+0.000}	1.000 ^{+0.004} / _{+0.000}	.375 ^{+0.000} / _{-0.004}	.998 ^{+0.000} / _{-0.002}	1.000 ^{+0.003} / _{+0.000}	
31200437	7/16	1-1/16	5/16	.344 ^{+0.015} / _{+0.000}	.437 ^{+0.000} / _{-0.002}	.440 ^{+0.003} / _{+0.000}	1.063 ^{+0.004} / _{+0.000}	.437 ^{+0.000} / _{-0.004}	1.060 ^{+0.000} / _{-0.002}	1.063 ^{+0.003} / _{+0.000}	
31200500	1/2	1-1/8	5/16	.344 ^{+0.015} / _{+0.000}	.500 ^{+0.000} / _{-0.002}	.502 ^{+0.003} / _{+0.000}	1.125 ^{+0.004} / _{+0.000}	.500 ^{+0.000} / _{-0.004}	1.123 ^{+0.000} / _{-0.002}	1.125 ^{+0.003} / _{+0.000}	
31200625	5/8	1-1/4	5/16	.344 ^{+0.015} / _{+0.000}	.625 ^{+0.000} / _{-0.002}	.627 ^{+0.003} / _{+0.000}	1.250 ^{+0.004} / _{+0.000}	.625 ^{+0.000} / _{-0.004}	1.248 ^{+0.000} / _{-0.002}	1.250 ^{+0.003} / _{+0.000}	
31200750	3/4	1-3/8	5/16	.344 ^{+0.015} / _{+0.000}	.750 ^{+0.000} / _{-0.002}	.752 ^{+0.003} / _{+0.000}	1.375 ^{+0.004} / _{+0.000}	.750 ^{+0.000} / _{-0.004}	1.373 ^{+0.000} / _{-0.002}	1.375 ^{+0.003} / _{+0.000}	

POWERPAK



**4740 EASTPARK DRIVE
HOUSTON, TX 77028
T. 713-869-8003
F. 713-869-8725**

URETHANE POWERPAK

Part Number	A Nom. ID	B Nom. OD	C Nom. Ht	D GROOVE WIDTH	E ROD DIAMETER	F THROAT DIAMETER	G HOUSING DIAMETER	H GROOVE DIAMETER	I PISTON DIAMETER	J BORE DIAMETER
31200750-500B	3/4	1-3/8	1/2	.550 +.015 +.000	.750 +.000 -.002	.752 +.003 +.000	1.375 +.004 +.000	.750 +.000 -.004	1.373 +.000 -.002	1.375 +.003 +.000
31200875	7/8	1-1/2	5/16	.344 +.015 +.000	.875 +.000 -.002	.877 +.003 +.000	1.500 +.004 +.000	.875 +.000 -.004	1.498 +.000 -.002	1.500 +.003 +.000
31201000	1	1-5/8	5/16	.344 +.015 +.000	1.000 +.000 -.002	1.002 +.003 +.000	1.625 +.004 +.000	1.000 +.000 -.004	1.623 +.000 -.002	1.625 +.003 +.000
31201000-375B	1	1-5/8	3/8	.413 +.015 +.000	1.000 +.000 -.002	1.002 +.003 +.000	1.625 +.004 +.000	1.000 +.000 -.004	1.623 +.000 -.002	1.625 +.003 +.000
31201000-500B	1	1-5/8	1/2	.550 +.015 +.000	1.000 +.000 -.002	1.002 +.003 +.000	1.625 +.004 +.000	1.000 +.000 -.004	1.623 +.000 -.002	1.625 +.003 +.000
31201125-B	1-1/8	1-3/4	5/16	.344 +.015 +.000	1.125 +.000 -.002	1.127 +.003 +.000	1.750 +.004 +.000	1.125 +.000 -.004	1.748 +.000 -.002	1.750 +.003 +.000
31201125-375B	1-1/8	1-3/4	3/8	.413 +.015 +.000	1.125 +.000 -.002	1.127 +.003 +.000	1.750 +.004 +.000	1.125 +.000 -.004	1.748 +.000 -.002	1.750 +.003 +.000
31201187	1-3/16	1-13/16	5/16	.344 +.015 +.000	1.187 +.000 -.002	1.190 +.003 +.000	1.813 +.004 +.000	1.187 +.000 -.004	1.810 +.000 -.002	1.813 +.003 +.000
31201250	1-1/4	1-7/8	5/16	.344 +.015 +.000	1.250 +.000 -.002	1.252 +.003 +.000	1.875 +.004 +.000	1.250 +.000 -.004	1.873 +.000 -.002	1.875 +.003 +.000
31201250-B	1-1/4	1-7/8	5/16	.344 +.015 +.000	1.250 +.000 -.002	1.252 +.003 +.000	1.875 +.004 +.000	1.250 +.000 -.004	1.873 +.000 -.002	1.875 +.003 +.000
31201250-375B	1-1/4	1-7/8	3/8	.413 +.015 +.000	1.250 +.000 -.002	1.252 +.003 +.000	1.875 +.004 +.000	1.250 +.000 -.004	1.873 +.000 -.002	1.875 +.003 +.000
31201250-500B	1-1/4	1-7/8	1/2	.550 +.015 +.000	1.250 +.000 -.002	1.252 +.003 +.000	1.875 +.004 +.000	1.250 +.000 -.004	1.873 +.000 -.002	1.875 +.003 +.000
31201250-500	1-1/4	1-7/8	1/2	.550 +.015 +.000	1.250 +.000 -.002	1.252 +.003 +.000	1.875 +.004 +.000	1.250 +.000 -.004	1.873 +.000 -.002	1.875 +.003 +.000
31201375	1-3/8	2	5/16	.344 +.015 +.000	1.375 +.000 -.002	1.377 +.003 +.000	2.000 +.004 +.000	1.375 +.000 -.004	1.998 +.000 -.002	2.000 +.003 +.000
31201375-B	1-3/8	2	5/16	.344 +.015 +.000	1.375 +.000 -.002	1.377 +.003 +.000	2.000 +.004 +.000	1.375 +.000 -.004	1.998 +.000 -.002	2.000 +.003 +.000
31201375-375B	1-3/8	2	3/8	.413 +.015 +.000	1.375 +.000 -.002	1.377 +.003 +.000	2.000 +.004 +.000	1.375 +.000 -.004	1.998 +.000 -.002	2.000 +.003 +.000
31201375-500B	1-3/8	2	1/2	.550 +.015 +.000	1.375 +.000 -.002	1.377 +.003 +.000	2.000 +.004 +.000	1.375 +.000 -.004	1.998 +.000 -.002	2.000 +.003 +.000
31201375-500	1-3/8	2	1/2	.550 +.015 +.000	1.375 +.000 -.002	1.377 +.003 +.000	2.000 +.004 +.000	1.375 +.000 -.004	1.998 +.000 -.002	2.000 +.003 +.000
31201500	1-1/2	2-1/8	5/16	.344 +.015 +.000	1.500 +.000 -.002	1.502 +.003 +.000	2.125 +.004 +.000	1.500 +.000 -.004	2.123 +.000 -.002	2.125 +.003 +.000
31201500-375B	1-1/2	2-1/8	3/8	.413 +.015 +.000	1.500 +.000 -.002	1.502 +.003 +.000	2.125 +.004 +.000	1.500 +.000 -.004	2.123 +.000 -.002	2.125 +.003 +.000
31201500-437B	1-1/2	2-1/8	7/16	.482 +.015 +.000	1.500 +.000 -.002	1.502 +.003 +.000	2.125 +.004 +.000	1.500 +.000 -.004	2.123 +.000 -.002	2.125 +.003 +.000
31201500-500B	1-1/2	2-1/8	1/2	.550 +.015 +.000	1.500 +.000 -.002	1.502 +.003 +.000	2.125 +.004 +.000	1.500 +.000 -.004	2.123 +.000 -.002	2.125 +.003 +.000
31201500-500	1-1/2	2-1/8	1/2	.550 +.015 +.000	1.500 +.000 -.002	1.502 +.003 +.000	2.125 +.004 +.000	1.500 +.000 -.004	2.123 +.000 -.002	2.125 +.003 +.000
31201625	1-5/8	2-1/4	5/16	.344 +.015 +.000	1.625 +.000 -.002	1.627 +.003 +.000	2.250 +.004 +.000	1.625 +.000 -.004	2.248 +.000 -.002	2.250 +.003 +.000
31201625-375B	1-5/8	2-1/4	3/8	.413 +.015 +.000	1.625 +.000 -.002	1.627 +.003 +.000	2.250 +.004 +.000	1.625 +.000 -.004	2.248 +.000 -.002	2.250 +.003 +.000
31201625-500B	1-5/8	2-1/4	1/2	.550 +.015 +.000	1.625 +.000 -.002	1.627 +.003 +.000	2.250 +.004 +.000	1.625 +.000 -.004	2.248 +.000 -.002	2.250 +.003 +.000
31201687	1-11/16	2-5/16	5/16	.344 +.015 +.000	1.687 +.000 -.002	1.690 +.003 +.000	2.313 +.004 +.000	1.687 +.000 -.004	2.310 +.000 -.002	2.313 +.003 +.000
31201750	1-3/4	2-3/8	5/16	.344 +.015 +.000	1.750 +.000 -.002	1.752 +.003 +.000	2.375 +.004 +.000	1.750 +.000 -.004	2.373 +.000 -.002	2.375 +.003 +.000
31201750-375B	1-3/4	2-3/8	3/8	.413 +.015 +.000	1.750 +.000 -.002	1.752 +.003 +.000	2.375 +.004 +.000	1.750 +.000 -.004	2.373 +.000 -.002	2.375 +.003 +.000
31201750-500B	1-3/4	2-3/8	1/2	.550 +.015 +.000	1.750 +.000 -.002	1.752 +.003 +.000	2.375 +.004 +.000	1.750 +.000 -.004	2.373 +.000 -.002	2.375 +.003 +.000
31201750-500	1-3/4	2-3/8	1/2	.550 +.015 +.000	1.750 +.000 -.002	1.752 +.003 +.000	2.375 +.004 +.000	1.750 +.000 -.004	2.373 +.000 -.002	2.375 +.003 +.000
31201875	1-7/8	2-1/2	5/16	.344 +.015 +.000	1.875 +.000 -.002	1.877 +.003 +.000	2.500 +.004 +.000	1.875 +.000 -.004	2.498 +.000 -.002	2.500 +.003 +.000
31201875-375B	1-7/8	2-1/2	3/8	.413 +.015 +.000	1.875 +.000 -.002	1.877 +.003 +.000	2.500 +.004 +.000	1.875 +.000 -.004	2.498 +.000 -.002	2.500 +.003 +.000

POWERPAK



4740 EASTPARK DRIVE
HOUSTON, TX 77028
T. 713-869-8003
F. 713-869-8725

URETHANE POWERPAK

Part Number	A Nom. ID	B Nom. OD	C Nom. Ht	D GROOVE WIDTH	E ROD DIAMETER	F THROAT DIAMETER	G HOUSING DIAMETER	H GROOVE DIAMETER	I PISTON DIAMETER	J BORE DIAMETER
31201875-500B	1-7/8	2-1/2	1/2	.550 ^{+0.015} / _{+0.000}	1.875 ^{+0.000} / _{-.002}	1.877 ^{+0.003} / _{+0.000}	2.500 ^{+0.004} / _{+0.000}	1.875 ^{+0.000} / _{-.004}	2.498 ^{+0.000} / _{-.002}	2.500 ^{+0.003} / _{+0.000}
31201875-500	1-7/8	2-1/2	1/2	.550 ^{+0.015} / _{+0.000}	1.875 ^{+0.000} / _{-.002}	1.877 ^{+0.003} / _{+0.000}	2.500 ^{+0.004} / _{+0.000}	1.875 ^{+0.000} / _{-.004}	2.498 ^{+0.000} / _{-.002}	2.500 ^{+0.003} / _{+0.000}
31201937	1-15/16	2-9/16	5/16	.344 ^{+0.015} / _{+0.000}	1.937 ^{+0.000} / _{-.002}	1.940 ^{+0.003} / _{+0.000}	2.563 ^{+0.004} / _{+0.000}	1.937 ^{+0.000} / _{-.004}	2.560 ^{+0.000} / _{-.002}	2.563 ^{+0.003} / _{+0.000}
31202000	2	2-5/8	5/16	.344 ^{+0.015} / _{+0.000}	2.000 ^{+0.000} / _{-.002}	2.002 ^{+0.003} / _{+0.000}	2.625 ^{+0.004} / _{+0.000}	2.000 ^{+0.000} / _{-.004}	2.623 ^{+0.000} / _{-.002}	2.625 ^{+0.003} / _{+0.000}
31202000-375B	2	2-5/8	3/8	.413 ^{+0.015} / _{+0.000}	2.000 ^{+0.000} / _{-.002}	2.002 ^{+0.003} / _{+0.000}	2.625 ^{+0.004} / _{+0.000}	2.000 ^{+0.000} / _{-.004}	2.623 ^{+0.000} / _{-.002}	2.625 ^{+0.003} / _{+0.000}
31202000-500B	2	2-5/8	1/2	.550 ^{+0.015} / _{+0.000}	2.000 ^{+0.000} / _{-.002}	2.002 ^{+0.003} / _{+0.000}	2.625 ^{+0.004} / _{+0.000}	2.000 ^{+0.000} / _{-.004}	2.623 ^{+0.000} / _{-.002}	2.625 ^{+0.003} / _{+0.000}
31202125-B	2-1/8	2-3/4	5/16	.344 ^{+0.015} / _{+0.000}	2.125 ^{+0.000} / _{-.002}	2.127 ^{+0.003} / _{+0.000}	2.750 ^{+0.004} / _{+0.000}	2.125 ^{+0.000} / _{-.004}	2.748 ^{+0.000} / _{-.002}	2.750 ^{+0.003} / _{+0.000}
31202125-500B	2-1/8	2-3/4	1/2	.550 ^{+0.015} / _{+0.000}	2.125 ^{+0.000} / _{-.002}	2.127 ^{+0.003} / _{+0.000}	2.750 ^{+0.004} / _{+0.000}	2.125 ^{+0.000} / _{-.004}	2.748 ^{+0.000} / _{-.002}	2.750 ^{+0.003} / _{+0.000}
31202250	2-1/4	2-7/8	5/16	.344 ^{+0.015} / _{+0.000}	2.250 ^{+0.000} / _{-.002}	2.252 ^{+0.003} / _{+0.000}	2.875 ^{+0.004} / _{+0.000}	2.250 ^{+0.000} / _{-.004}	2.873 ^{+0.000} / _{-.002}	2.875 ^{+0.003} / _{+0.000}
31202250-500B	2-1/4	2-7/8	1/2	.550 ^{+0.015} / _{+0.000}	2.250 ^{+0.000} / _{-.002}	2.252 ^{+0.003} / _{+0.000}	2.875 ^{+0.004} / _{+0.000}	2.250 ^{+0.000} / _{-.004}	2.873 ^{+0.000} / _{-.002}	2.875 ^{+0.003} / _{+0.000}
31202375	2-3/8	3	5/16	.344 ^{+0.015} / _{+0.000}	2.375 ^{+0.000} / _{-.002}	2.377 ^{+0.003} / _{+0.000}	3.000 ^{+0.004} / _{+0.000}	2.375 ^{+0.000} / _{-.004}	2.998 ^{+0.000} / _{-.002}	3.000 ^{+0.003} / _{+0.000}
31202375-500B	2-3/8	3	1/2	.550 ^{+0.015} / _{+0.000}	2.375 ^{+0.000} / _{-.002}	2.377 ^{+0.003} / _{+0.000}	3.000 ^{+0.004} / _{+0.000}	2.375 ^{+0.000} / _{-.004}	2.998 ^{+0.000} / _{-.002}	3.000 ^{+0.003} / _{+0.000}
31202375-500	2-3/8	3	1/2	.550 ^{+0.015} / _{+0.000}	2.375 ^{+0.000} / _{-.002}	2.377 ^{+0.003} / _{+0.000}	3.000 ^{+0.004} / _{+0.000}	2.375 ^{+0.000} / _{-.004}	2.998 ^{+0.000} / _{-.002}	3.000 ^{+0.003} / _{+0.000}
31202500	2-1/2	3-1/8	5/16	.344 ^{+0.015} / _{+0.000}	2.500 ^{+0.000} / _{-.002}	2.502 ^{+0.003} / _{+0.000}	3.125 ^{+0.004} / _{+0.000}	2.500 ^{+0.000} / _{-.004}	3.123 ^{+0.000} / _{-.002}	3.125 ^{+0.003} / _{+0.000}
31202500-500B	2-1/2	3-1/8	1/2	.550 ^{+0.015} / _{+0.000}	2.500 ^{+0.000} / _{-.002}	2.502 ^{+0.003} / _{+0.000}	3.125 ^{+0.004} / _{+0.000}	2.500 ^{+0.000} / _{-.004}	3.123 ^{+0.000} / _{-.002}	3.125 ^{+0.003} / _{+0.000}
31202500-500	2-1/2	3-1/8	1/2	.550 ^{+0.015} / _{+0.000}	2.500 ^{+0.000} / _{-.002}	2.502 ^{+0.003} / _{+0.000}	3.125 ^{+0.004} / _{+0.000}	2.500 ^{+0.000} / _{-.004}	3.123 ^{+0.000} / _{-.002}	3.125 ^{+0.003} / _{+0.000}
31202562	2-9/16	3-3/16	5/16	.344 ^{+0.015} / _{+0.000}	2.562 ^{+0.000} / _{-.002}	2.565 ^{+0.003} / _{+0.000}	3.188 ^{+0.004} / _{+0.000}	2.562 ^{+0.000} / _{-.004}	3.186 ^{+0.000} / _{-.002}	3.188 ^{+0.003} / _{+0.000}
31202625	2-5/8	3-1/4	5/16	.344 ^{+0.015} / _{+0.000}	2.625 ^{+0.000} / _{-.002}	2.627 ^{+0.003} / _{+0.000}	3.250 ^{+0.004} / _{+0.000}	2.625 ^{+0.000} / _{-.004}	3.248 ^{+0.000} / _{-.002}	3.250 ^{+0.003} / _{+0.000}
31202625-500B	2-5/8	3-1/4	1/2	.550 ^{+0.015} / _{+0.000}	2.625 ^{+0.000} / _{-.002}	2.627 ^{+0.003} / _{+0.000}	3.250 ^{+0.004} / _{+0.000}	2.625 ^{+0.000} / _{-.004}	3.248 ^{+0.000} / _{-.002}	3.250 ^{+0.003} / _{+0.000}
31202750	2-3/4	3-3/8	5/16	.344 ^{+0.015} / _{+0.000}	2.750 ^{+0.000} / _{-.002}	2.752 ^{+0.003} / _{+0.000}	3.375 ^{+0.004} / _{+0.000}	2.750 ^{+0.000} / _{-.004}	3.373 ^{+0.000} / _{-.002}	3.375 ^{+0.003} / _{+0.000}
31202750-500B	2-3/4	3-3/8	1/2	.550 ^{+0.015} / _{+0.000}	2.750 ^{+0.000} / _{-.002}	2.752 ^{+0.003} / _{+0.000}	3.375 ^{+0.004} / _{+0.000}	2.750 ^{+0.000} / _{-.004}	3.373 ^{+0.000} / _{-.002}	3.375 ^{+0.003} / _{+0.000}
31202875	2-7/8	3-1/2	5/16	.344 ^{+0.015} / _{+0.000}	2.875 ^{+0.000} / _{-.002}	2.877 ^{+0.003} / _{+0.000}	3.500 ^{+0.004} / _{+0.000}	2.875 ^{+0.000} / _{-.004}	3.498 ^{+0.000} / _{-.002}	3.500 ^{+0.003} / _{+0.000}
31202875-500B	2-7/8	3-1/2	1/2	.550 ^{+0.015} / _{+0.000}	2.875 ^{+0.000} / _{-.002}	2.877 ^{+0.003} / _{+0.000}	3.500 ^{+0.004} / _{+0.000}	2.875 ^{+0.000} / _{-.004}	3.498 ^{+0.000} / _{-.002}	3.500 ^{+0.003} / _{+0.000}
31203000	3	3-5/8	5/16	.344 ^{+0.015} / _{+0.000}	3.000 ^{+0.000} / _{-.002}	3.002 ^{+0.003} / _{+0.000}	3.625 ^{+0.004} / _{+0.000}	3.000 ^{+0.000} / _{-.004}	3.623 ^{+0.000} / _{-.002}	3.625 ^{+0.003} / _{+0.000}
31203000-375B	3	3-5/8	3/8	.413 ^{+0.015} / _{+0.000}	3.000 ^{+0.000} / _{-.002}	3.002 ^{+0.003} / _{+0.000}	3.625 ^{+0.004} / _{+0.000}	3.000 ^{+0.000} / _{-.004}	3.623 ^{+0.000} / _{-.002}	3.625 ^{+0.003} / _{+0.000}
31203000-500B	3	3-5/8	1/2	.550 ^{+0.015} / _{+0.000}	3.000 ^{+0.000} / _{-.002}	3.002 ^{+0.003} / _{+0.000}	3.625 ^{+0.004} / _{+0.000}	3.000 ^{+0.000} / _{-.004}	3.623 ^{+0.000} / _{-.002}	3.625 ^{+0.003} / _{+0.000}
31203125-B	3-1/8	3-3/4	5/16	.344 ^{+0.015} / _{+0.000}	3.125 ^{+0.000} / _{-.002}	3.127 ^{+0.003} / _{+0.000}	3.750 ^{+0.004} / _{+0.000}	3.125 ^{+0.000} / _{-.004}	3.748 ^{+0.000} / _{-.002}	3.750 ^{+0.003} / _{+0.000}
31203250	3-1/4	3-7/8	5/16	.344 ^{+0.015} / _{+0.000}	3.250 ^{+0.000} / _{-.002}	3.252 ^{+0.003} / _{+0.000}	3.875 ^{+0.004} / _{+0.000}	3.250 ^{+0.000} / _{-.004}	3.873 ^{+0.000} / _{-.002}	3.875 ^{+0.003} / _{+0.000}
31203250-500B	3-1/4	3-7/8	1/2	.550 ^{+0.015} / _{+0.000}	3.250 ^{+0.000} / _{-.002}	3.252 ^{+0.003} / _{+0.000}	3.875 ^{+0.004} / _{+0.000}	3.250 ^{+0.000} / _{-.004}	3.873 ^{+0.000} / _{-.002}	3.875 ^{+0.003} / _{+0.000}
31203375	3-3/8	4	5/16	.344 ^{+0.015} / _{+0.000}	3.375 ^{+0.000} / _{-.002}	3.377 ^{+0.003} / _{+0.000}	4.000 ^{+0.004} / _{+0.000}	3.375 ^{+0.000} / _{-.004}	3.998 ^{+0.000} / _{-.002}	4.000 ^{+0.003} / _{+0.000}
31203375-500B	3-3/8	4	1/2	.550 ^{+0.015} / _{+0.000}	3.375 ^{+0.000} / _{-.002}	3.377 ^{+0.003} / _{+0.000}	4.000 ^{+0.004} / _{+0.000}	3.375 ^{+0.000} / _{-.004}	3.998 ^{+0.000} / _{-.002}	4.000 ^{+0.003} / _{+0.000}
31203375-625B	3-3/8	4	5/8	.688 ^{+0.015} / _{+0.000}	3.375 ^{+0.000} / _{-.002}	3.377 ^{+0.003} / _{+0.000}	4.000 ^{+0.004} / _{+0.000}	3.375 ^{+0.000} / _{-.004}	3.998 ^{+0.000} / _{-.002}	4.000 ^{+0.003} / _{+0.000}
31203500	3-1/2	4-1/8	5/16	.344 ^{+0.015} / _{+0.000}	3.500 ^{+0.000} / _{-.002}	3.502 ^{+0.003} / _{+0.000}	4.125 ^{+0.004} / _{+0.000}	3.500 ^{+0.000} / _{-.004}	4.123 ^{+0.000} / _{-.002}	4.125 ^{+0.003} / _{+0.000}

POWERPAK



**4740 EASTPARK DRIVE
HOUSTON, TX 77028
T. 713-869-8003
F. 713-869-8725**

URETHANE POWERPAK

Part Number	A Nom. ID	B Nom. OD	C Nom. Ht	D GROOVE WIDTH	E ROD DIAMETER	F THROAT DIAMETER	G HOUSING DIAMETER	H GROOVE DIAMETER	I PISTON DIAMETER	J BORE DIAMETER
31203500-500B	3-1/2	4-1/8	1/2	.550 +.015 +.000	3.500 +.000 -.002	3.502 +.003 +.000	4.125 +.004 +.000	3.500 +.000 -.004	4.123 +.000 -.002	4.125 +.003 +.000
31203500-500	3-1/2	4-1/8	1/2	.550 +.015 +.000	3.500 +.000 -.002	3.502 +.003 +.000	4.125 +.004 +.000	3.500 +.000 -.004	4.123 +.000 -.002	4.125 +.003 +.000
31203625	3-5/8	4-1/4	5/16	.344 +.015 +.000	3.625 +.000 -.002	3.627 +.003 +.000	4.250 +.004 +.000	3.625 +.000 -.004	4.248 +.000 -.002	4.250 +.003 +.000
31203625-500B	3-5/8	4-1/4	1/2	.550 +.015 +.000	3.625 +.000 -.002	3.627 +.003 +.000	4.250 +.004 +.000	3.625 +.000 -.004	4.248 +.000 -.002	4.250 +.003 +.000
31203750	3-3/4	4-3/8	5/16	.344 +.015 +.000	3.750 +.000 -.002	3.752 +.003 +.000	4.375 +.004 +.000	3.750 +.000 -.004	4.373 +.000 -.002	4.375 +.003 +.000
31203750-375B	3-3/4	4-3/8	3/8	.413 +.015 +.000	3.750 +.000 -.002	3.752 +.003 +.000	4.375 +.004 +.000	3.750 +.000 -.004	4.373 +.000 -.002	4.375 +.003 +.000
31203750-500B	3-3/4	4-3/8	1/2	.550 +.015 +.000	3.750 +.000 -.002	3.752 +.003 +.000	4.375 +.004 +.000	3.750 +.000 -.004	4.373 +.000 -.002	4.375 +.003 +.000
31203750-625B	3-3/4	4-3/8	5/8	.688 +.015 +.000	3.750 +.000 -.002	3.752 +.003 +.000	4.375 +.004 +.000	3.750 +.000 -.004	4.373 +.000 -.002	4.375 +.003 +.000
31203875	3-7/8	4-1/2	5/16	.344 +.015 +.000	3.875 +.000 -.002	3.877 +.003 +.000	4.500 +.004 +.000	3.875 +.000 -.004	4.498 +.000 -.002	4.500 +.003 +.000
31203875-500B	3-7/8	4-1/2	1/2	.550 +.015 +.000	3.875 +.000 -.002	3.877 +.003 +.000	4.500 +.004 +.000	3.875 +.000 -.004	4.498 +.000 -.002	4.500 +.003 +.000
31204000	4	4-5/8	5/16	.344 +.015 +.000	4.000 +.000 -.002	4.002 +.003 +.000	4.625 +.004 +.000	4.000 +.000 -.004	4.623 +.000 -.002	4.625 +.003 +.000
31204000-562B	4	4-5/8	9/16	.619 +.015 +.000	4.000 +.000 -.002	4.002 +.003 +.000	4.625 +.004 +.000	4.000 +.000 -.004	4.623 +.000 -.002	4.625 +.003 +.000
31204125	4-1/8	4-3/4	5/16	.344 +.015 +.000	4.125 +.000 -.002	4.127 +.003 +.000	4.750 +.004 +.000	4.125 +.000 -.004	4.748 +.000 -.002	4.750 +.003 +.000
31204125-562B	4-1/8	4-3/4	9/16	.619 +.015 +.000	4.125 +.000 -.002	4.127 +.003 +.000	4.750 +.004 +.000	4.125 +.000 -.004	4.748 +.000 -.002	4.750 +.003 +.000
31204250	4-1/4	4-7/8	5/16	.344 +.015 +.000	4.250 +.000 -.002	4.252 +.003 +.000	4.875 +.004 +.000	4.250 +.000 -.004	4.873 +.000 -.002	4.875 +.003 +.000
31204250-562B	4-1/4	4-7/8	9/16	.619 +.015 +.000	4.250 +.000 -.002	4.252 +.003 +.000	4.875 +.004 +.000	4.250 +.000 -.004	4.873 +.000 -.002	4.875 +.003 +.000
31204375	4-3/8	5	5/16	.344 +.015 +.000	4.375 +.000 -.002	4.377 +.003 +.000	5.000 +.004 +.000	4.375 +.000 -.004	4.998 +.000 -.002	5.000 +.003 +.000
31204375-500B	4-3/8	5	1/2	.550 +.015 +.000	4.375 +.000 -.002	4.377 +.003 +.000	5.000 +.004 +.000	4.375 +.000 -.004	4.998 +.000 -.002	5.000 +.003 +.000
31204375-562B	4-3/8	5	9/16	.619 +.015 +.000	4.375 +.000 -.002	4.377 +.003 +.000	5.000 +.004 +.000	4.375 +.000 -.004	4.998 +.000 -.002	5.000 +.003 +.000
31204500	4-1/2	5-1/8	5/16	.344 +.015 +.000	4.500 +.000 -.002	4.502 +.003 +.000	5.125 +.004 +.000	4.500 +.000 -.004	5.123 +.000 -.002	5.125 +.003 +.000
31204500-500B	4-1/2	5-1/8	1/2	.550 +.015 +.000	4.500 +.000 -.002	4.502 +.003 +.000	5.125 +.004 +.000	4.500 +.000 -.004	5.123 +.000 -.002	5.125 +.003 +.000
31204500-625B	4-1/2	5-1/8	5/8	.688 +.015 +.000	4.500 +.000 -.002	4.502 +.003 +.000	5.125 +.004 +.000	4.500 +.000 -.004	5.123 +.000 -.002	5.125 +.003 +.000
31204625-625B	4-5/8	5-1/4	5/8	.688 +.015 +.000	4.625 +.000 -.002	4.627 +.003 +.000	5.250 +.004 +.000	4.625 +.000 -.004	5.248 +.000 -.002	5.250 +.003 +.000
31204750	4-3/4	5-3/8	5/16	.344 +.015 +.000	4.750 +.000 -.002	4.752 +.003 +.000	5.375 +.004 +.000	4.750 +.000 -.004	5.373 +.000 -.002	5.375 +.003 +.000
31204750-625B	4-3/4	5-3/8	5/8	.688 +.015 +.000	4.750 +.000 -.002	4.752 +.003 +.000	5.375 +.004 +.000	4.750 +.000 -.004	5.373 +.000 -.002	5.375 +.003 +.000
31204875	4-7/8	5-1/2	5/16	.344 +.015 +.000	4.875 +.000 -.002	4.877 +.003 +.000	5.500 +.004 +.000	4.875 +.000 -.004	5.498 +.000 -.002	5.500 +.003 +.000
31205000	5	5-5/8	5/16	.344 +.015 +.000	5.000 +.000 -.002	5.002 +.003 +.000	5.625 +.004 +.000	5.000 +.000 -.004	5.623 +.000 -.002	5.625 +.003 +.000
31205000-625B	5	5-5/8	5/8	.688 +.015 +.000	5.000 +.000 -.002	5.002 +.003 +.000	5.625 +.004 +.000	5.000 +.000 -.004	5.623 +.000 -.002	5.625 +.003 +.000
31205000-625	5	5-5/8	5/8	.688 +.015 +.000	5.000 +.000 -.002	5.002 +.003 +.000	5.625 +.004 +.000	5.000 +.000 -.004	5.623 +.000 -.002	5.625 +.003 +.000
31205125	5-1/8	5-3/4	5/16	.344 +.015 +.000	5.125 +.000 -.002	5.127 +.003 +.000	5.750 +.004 +.000	5.125 +.000 -.004	5.748 +.000 -.002	5.750 +.003 +.000
31205250	5-1/4	5-7/8	5/16	.344 +.015 +.000	5.250 +.000 -.002	5.252 +.003 +.000	5.875 +.004 +.000	5.250 +.000 -.004	5.873 +.000 -.002	5.875 +.003 +.000
31205250-625B	5-1/4	5-7/8	5/8	.688 +.015 +.000	5.250 +.000 -.002	5.252 +.003 +.000	5.875 +.004 +.000	5.250 +.000 -.004	5.873 +.000 -.002	5.875 +.003 +.000
31205375	5-3/8	6	5/16	.344 +.015 +.000	5.375 +.000 -.002	5.377 +.003 +.000	6.000 +.004 +.000	5.375 +.000 -.004	5.998 +.000 -.002	6.000 +.003 +.000

POWERPAK



**4740 EASTPARK DRIVE
HOUSTON, TX 77028
T. 713-869-8003
F. 713-869-8725**

URETHANE POWERPAK

Part Number	A Nom. ID	B Nom. OD	C Nom. Ht	D GROOVE WIDTH	E ROD DIAMETER	F THROAT DIAMETER	G HOUSING DIAMETER	H GROOVE DIAMETER	I PISTON DIAMETER	J BORE DIAMETER	
31205375-B	5-3/8	6	5/16	.344 ^{+0.015} / _{+0.000}	5.375 ^{+0.000} / _{-0.002}	5.377 ^{+0.003} / _{+0.000}	6.000 ^{+0.004} / _{+0.000}	5.375 ^{+0.000} / _{-0.004}	5.998 ^{+0.000} / _{-0.002}	6.000 ^{+0.003} / _{+0.000}	
31205375-625B	5-3/8	6	5/8	.688 ^{+0.015} / _{+0.000}	5.375 ^{+0.000} / _{-0.002}	5.377 ^{+0.003} / _{+0.000}	6.000 ^{+0.004} / _{+0.000}	5.375 ^{+0.000} / _{-0.004}	5.998 ^{+0.000} / _{-0.002}	6.000 ^{+0.003} / _{+0.000}	
31205500-B	5-1/2	6-1/8	5/16	.344 ^{+0.015} / _{+0.000}	5.500 ^{+0.000} / _{-0.002}	5.502 ^{+0.003} / _{+0.000}	6.125 ^{+0.004} / _{+0.000}	5.500 ^{+0.000} / _{-0.004}	6.123 ^{+0.000} / _{-0.002}	6.125 ^{+0.003} / _{+0.000}	
31205500-625B	5-1/2	6-1/8	5/8	.688 ^{+0.015} / _{+0.000}	5.500 ^{+0.000} / _{-0.002}	5.502 ^{+0.003} / _{+0.000}	6.125 ^{+0.004} / _{+0.000}	5.500 ^{+0.000} / _{-0.004}	6.123 ^{+0.000} / _{-0.002}	6.125 ^{+0.003} / _{+0.000}	
31205625	5-5/8	6-1/4	5/16	.344 ^{+0.015} / _{+0.000}	5.625 ^{+0.000} / _{-0.002}	5.627 ^{+0.003} / _{+0.000}	6.250 ^{+0.004} / _{+0.000}	5.625 ^{+0.000} / _{-0.004}	6.248 ^{+0.000} / _{-0.002}	6.250 ^{+0.003} / _{+0.000}	
31205750-625B	5-3/4	6-3/8	5/8	.688 ^{+0.015} / _{+0.000}	5.750 ^{+0.000} / _{-0.002}	5.752 ^{+0.003} / _{+0.000}	6.375 ^{+0.004} / _{+0.000}	5.750 ^{+0.000} / _{-0.004}	6.373 ^{+0.000} / _{-0.002}	6.375 ^{+0.003} / _{+0.000}	
31205875	5-7/8	6-1/2	5/16	.344 ^{+0.015} / _{+0.000}	5.875 ^{+0.000} / _{-0.002}	5.877 ^{+0.003} / _{+0.000}	6.500 ^{+0.004} / _{+0.000}	5.875 ^{+0.000} / _{-0.004}	6.498 ^{+0.000} / _{-0.002}	6.500 ^{+0.003} / _{+0.000}	
31206000	6	6-5/8	5/16	.344 ^{+0.015} / _{+0.000}	6.000 ^{+0.000} / _{-0.002}	6.002 ^{+0.003} / _{+0.000}	6.625 ^{+0.004} / _{+0.000}	6.000 ^{+0.000} / _{-0.004}	6.623 ^{+0.000} / _{-0.002}	6.625 ^{+0.003} / _{+0.000}	
31206000-625B	6	6-5/8	5/8	.688 ^{+0.015} / _{+0.000}	6.000 ^{+0.000} / _{-0.002}	6.002 ^{+0.003} / _{+0.000}	6.625 ^{+0.004} / _{+0.000}	6.000 ^{+0.000} / _{-0.004}	6.623 ^{+0.000} / _{-0.002}	6.625 ^{+0.003} / _{+0.000}	
31206125	6-1/8	6-3/4	5/16	.344 ^{+0.015} / _{+0.000}	6.125 ^{+0.000} / _{-0.002}	6.127 ^{+0.003} / _{+0.000}	6.750 ^{+0.004} / _{+0.000}	6.125 ^{+0.000} / _{-0.004}	6.748 ^{+0.000} / _{-0.002}	6.750 ^{+0.003} / _{+0.000}	
31206250	6-1/4	6-7/8	5/16	.344 ^{+0.015} / _{+0.000}	6.250 ^{+0.000} / _{-0.002}	6.252 ^{+0.003} / _{+0.000}	6.875 ^{+0.004} / _{+0.000}	6.250 ^{+0.000} / _{-0.004}	6.873 ^{+0.000} / _{-0.002}	6.875 ^{+0.003} / _{+0.000}	
31206375	6-3/8	7	5/16	.344 ^{+0.015} / _{+0.000}	6.375 ^{+0.000} / _{-0.002}	6.377 ^{+0.003} / _{+0.000}	7.000 ^{+0.004} / _{+0.000}	6.375 ^{+0.000} / _{-0.004}	6.998 ^{+0.000} / _{-0.002}	7.000 ^{+0.003} / _{+0.000}	
31206375-625	6-3/8	7	5/8	.688 ^{+0.015} / _{+0.000}	6.375 ^{+0.000} / _{-0.002}	6.377 ^{+0.003} / _{+0.000}	7.000 ^{+0.004} / _{+0.000}	6.375 ^{+0.000} / _{-0.004}	6.998 ^{+0.000} / _{-0.002}	7.000 ^{+0.003} / _{+0.000}	
31206500	6-1/2	7-1/8	5/16	.344 ^{+0.015} / _{+0.000}	6.500 ^{+0.000} / _{-0.002}	6.502 ^{+0.003} / _{+0.000}	7.125 ^{+0.004} / _{+0.000}	6.500 ^{+0.000} / _{-0.004}	7.123 ^{+0.000} / _{-0.002}	7.125 ^{+0.003} / _{+0.000}	
31206500-625B	6-1/2	7-1/8	5/8	.688 ^{+0.015} / _{+0.000}	6.500 ^{+0.000} / _{-0.002}	6.502 ^{+0.003} / _{+0.000}	7.125 ^{+0.004} / _{+0.000}	6.500 ^{+0.000} / _{-0.004}	7.123 ^{+0.000} / _{-0.002}	7.125 ^{+0.003} / _{+0.000}	
31206625	6-5/8	7-1/4	5/16	.344 ^{+0.015} / _{+0.000}	6.625 ^{+0.000} / _{-0.002}	6.627 ^{+0.003} / _{+0.000}	7.250 ^{+0.004} / _{+0.000}	6.625 ^{+0.000} / _{-0.004}	7.248 ^{+0.000} / _{-0.002}	7.250 ^{+0.003} / _{+0.000}	
31207000-625B	7	7-5/8	5/8	.688 ^{+0.015} / _{+0.000}	7.000 ^{+0.000} / _{-0.002}	7.002 ^{+0.003} / _{+0.000}	7.625 ^{+0.004} / _{+0.000}	7.000 ^{+0.000} / _{-0.004}	7.623 ^{+0.000} / _{-0.002}	7.625 ^{+0.003} / _{+0.000}	
31207375	7-3/8	8	5/16	.344 ^{+0.015} / _{+0.000}	7.375 ^{+0.000} / _{-0.002}	7.377 ^{+0.003} / _{+0.000}	8.000 ^{+0.004} / _{+0.000}	7.375 ^{+0.000} / _{-0.004}	7.998 ^{+0.000} / _{-0.002}	8.000 ^{+0.003} / _{+0.000}	
31208000-625B	8	8-5/8	5/8	.688 ^{+0.015} / _{+0.000}	8.000 ^{+0.000} / _{-0.002}	8.002 ^{+0.003} / _{+0.000}	8.625 ^{+0.004} / _{+0.000}	8.000 ^{+0.000} / _{-0.004}	8.623 ^{+0.000} / _{-0.002}	8.625 ^{+0.003} / _{+0.000}	
11/32" C/S											
34309312	9-5/16	10	11/32	.379 ^{+0.015} / _{+0.000}	9.312 ^{+0.000} / _{-0.002}	9.314 ^{+0.003} / _{+0.000}	10.000 ^{+0.004} / _{+0.000}	9.312 ^{+0.000} / _{-0.004}	9.998 ^{+0.000} / _{-0.002}	10.000 ^{+0.003} / _{+0.000}	
3/8" C/S											
37500500	1/2	1-1/4	3/8	.413 ^{+0.015} / _{+0.000}	.500 ^{+0.000} / _{-0.002}	.502 ^{+0.004} / _{+0.000}	1.250 ^{+0.005} / _{+0.000}	.500 ^{+0.000} / _{-0.005}	1.248 ^{+0.000} / _{-0.002}	1.250 ^{+0.004} / _{+0.000}	
37500750	3/4	1-1/2	3/8	.413 ^{+0.015} / _{+0.000}	.750 ^{+0.000} / _{-0.002}	.751 ^{+0.004} / _{+0.000}	1.500 ^{+0.005} / _{+0.000}	.750 ^{+0.000} / _{-0.005}	1.499 ^{+0.000} / _{-0.002}	1.500 ^{+0.004} / _{+0.000}	
37500812	13/16	1-9/16	3/8	.413 ^{+0.015} / _{+0.000}	.812 ^{+0.000} / _{-0.002}	.814 ^{+0.004} / _{+0.000}	1.563 ^{+0.005} / _{+0.000}	.812 ^{+0.000} / _{-0.005}	1.560 ^{+0.000} / _{-0.002}	1.563 ^{+0.004} / _{+0.000}	
37500812-B	13/16	1-9/16	3/8	.413 ^{+0.015} / _{+0.000}	.812 ^{+0.000} / _{-0.002}	.814 ^{+0.004} / _{+0.000}	1.563 ^{+0.005} / _{+0.000}	.812 ^{+0.000} / _{-0.005}	1.560 ^{+0.000} / _{-0.002}	1.563 ^{+0.004} / _{+0.000}	
37500875	7/8	1-5/8	3/8	.413 ^{+0.015} / _{+0.000}	.875 ^{+0.000} / _{-0.002}	.877 ^{+0.004} / _{+0.000}	1.625 ^{+0.005} / _{+0.000}	.875 ^{+0.000} / _{-0.005}	1.623 ^{+0.000} / _{-0.002}	1.625 ^{+0.004} / _{+0.000}	
37500937	15/16	1-11/16	3/8	.413 ^{+0.015} / _{+0.000}	.937 ^{+0.000} / _{-0.002}	.939 ^{+0.004} / _{+0.000}	1.688 ^{+0.005} / _{+0.000}	.937 ^{+0.000} / _{-0.005}	1.685 ^{+0.000} / _{-0.002}	1.688 ^{+0.004} / _{+0.000}	
37501000	1	1-3/4	3/8	.413 ^{+0.015} / _{+0.000}	1.000 ^{+0.000} / _{-0.002}	1.002 ^{+0.004} / _{+0.000}	1.750 ^{+0.005} / _{+0.000}	1.000 ^{+0.000} / _{-0.005}	1.748 ^{+0.000} / _{-0.002}	1.750 ^{+0.004} / _{+0.000}	
37501000-625	1	1-3/4	5/8	.688 ^{+0.015} / _{+0.000}	1.000 ^{+0.000} / _{-0.002}	1.002 ^{+0.004} / _{+0.000}	1.750 ^{+0.005} / _{+0.000}	1.000 ^{+0.000} / _{-0.005}	1.748 ^{+0.000} / _{-0.002}	1.750 ^{+0.004} / _{+0.000}	
37501125	1-1/8	1-7/8	3/8	.413 ^{+0.015} / _{+0.000}	1.125 ^{+0.000} / _{-0.002}	1.127 ^{+0.004} / _{+0.000}	1.875 ^{+0.005} / _{+0.000}	1.125 ^{+0.000} / _{-0.005}	1.873 ^{+0.000} / _{-0.002}	1.875 ^{+0.004} / _{+0.000}	

POWERPAK



**4740 EASTPARK DRIVE
HOUSTON, TX 77028
T. 713-869-8003
F. 713-869-8725**

URETHANE POWERPAK

Part Number	A Nom. ID	B Nom. OD	C Nom. Ht	D GROOVE WIDTH	E ROD DIAMETER	F THROAT DIAMETER	G HOUSING DIAMETER	H GROOVE DIAMETER	I PISTON DIAMETER	J BORE DIAMETER
37501250	1-1/4	2	3/8	.413 ⁺⁰¹⁵ / ₊₀₀₀	1.250 ⁺⁰⁰⁰ / ₋₀₀₂	1.252 ⁺⁰⁰⁴ / ₊₀₀₀	2.000 ⁺⁰⁰⁵ / ₊₀₀₀	1.250 ⁺⁰⁰⁰ / ₋₀₀₅	1.998 ⁺⁰⁰⁰ / ₋₀₀₂	2.000 ⁺⁰⁰⁴ / ₊₀₀₀
37501250-625	1-1/4	2	5/8	.688 ⁺⁰¹⁵ / ₊₀₀₀	1.250 ⁺⁰⁰⁰ / ₋₀₀₂	1.252 ⁺⁰⁰⁴ / ₊₀₀₀	2.000 ⁺⁰⁰⁵ / ₊₀₀₀	1.250 ⁺⁰⁰⁰ / ₋₀₀₅	1.998 ⁺⁰⁰⁰ / ₋₀₀₂	2.000 ⁺⁰⁰⁴ / ₊₀₀₀
37501375	1-3/8	2-1/8	3/8	.413 ⁺⁰¹⁵ / ₊₀₀₀	1.375 ⁺⁰⁰⁰ / ₋₀₀₂	1.377 ⁺⁰⁰⁴ / ₊₀₀₀	2.125 ⁺⁰⁰⁵ / ₊₀₀₀	1.375 ⁺⁰⁰⁰ / ₋₀₀₅	2.123 ⁺⁰⁰⁰ / ₋₀₀₂	2.125 ⁺⁰⁰⁴ / ₊₀₀₀
37501500	1-1/2	2-1/4	3/8	.413 ⁺⁰¹⁵ / ₊₀₀₀	1.500 ⁺⁰⁰⁰ / ₋₀₀₂	1.502 ⁺⁰⁰⁴ / ₊₀₀₀	2.250 ⁺⁰⁰⁵ / ₊₀₀₀	1.500 ⁺⁰⁰⁰ / ₋₀₀₅	2.248 ⁺⁰⁰⁰ / ₋₀₀₂	2.250 ⁺⁰⁰⁴ / ₊₀₀₀
37501500-500B	1-1/2	2-1/4	1/2	.550 ⁺⁰¹⁵ / ₊₀₀₀	1.500 ⁺⁰⁰⁰ / ₋₀₀₂	1.502 ⁺⁰⁰⁴ / ₊₀₀₀	2.250 ⁺⁰⁰⁵ / ₊₀₀₀	1.500 ⁺⁰⁰⁰ / ₋₀₀₅	2.248 ⁺⁰⁰⁰ / ₋₀₀₂	2.250 ⁺⁰⁰⁴ / ₊₀₀₀
37501500-625B	1-1/2	2-1/4	5/8	.688 ⁺⁰¹⁵ / ₊₀₀₀	1.500 ⁺⁰⁰⁰ / ₋₀₀₂	1.502 ⁺⁰⁰⁴ / ₊₀₀₀	2.250 ⁺⁰⁰⁵ / ₊₀₀₀	1.500 ⁺⁰⁰⁰ / ₋₀₀₅	2.248 ⁺⁰⁰⁰ / ₋₀₀₂	2.250 ⁺⁰⁰⁴ / ₊₀₀₀
37501562	1-9/16	2-5/16	3/8	.413 ⁺⁰¹⁵ / ₊₀₀₀	1.562 ⁺⁰⁰⁰ / ₋₀₀₂	1.565 ⁺⁰⁰⁴ / ₊₀₀₀	2.313 ⁺⁰⁰⁵ / ₊₀₀₀	1.562 ⁺⁰⁰⁰ / ₋₀₀₅	2.310 ⁺⁰⁰⁰ / ₋₀₀₂	2.313 ⁺⁰⁰⁴ / ₊₀₀₀
37501625-B	1-5/8	2-3/8	3/8	.413 ⁺⁰¹⁵ / ₊₀₀₀	1.625 ⁺⁰⁰⁰ / ₋₀₀₂	1.627 ⁺⁰⁰⁴ / ₊₀₀₀	2.375 ⁺⁰⁰⁵ / ₊₀₀₀	1.625 ⁺⁰⁰⁰ / ₋₀₀₅	2.373 ⁺⁰⁰⁰ / ₋₀₀₂	2.375 ⁺⁰⁰⁴ / ₊₀₀₀
37501625-625B	1-5/8	2-3/8	5/8	.688 ⁺⁰¹⁵ / ₊₀₀₀	1.625 ⁺⁰⁰⁰ / ₋₀₀₂	1.627 ⁺⁰⁰⁴ / ₊₀₀₀	2.375 ⁺⁰⁰⁵ / ₊₀₀₀	1.625 ⁺⁰⁰⁰ / ₋₀₀₅	2.373 ⁺⁰⁰⁰ / ₋₀₀₂	2.375 ⁺⁰⁰⁴ / ₊₀₀₀
37501750	1-3/4	2-1/2	3/8	.413 ⁺⁰¹⁵ / ₊₀₀₀	1.750 ⁺⁰⁰⁰ / ₋₀₀₂	1.752 ⁺⁰⁰⁴ / ₊₀₀₀	2.500 ⁺⁰⁰⁵ / ₊₀₀₀	1.750 ⁺⁰⁰⁰ / ₋₀₀₅	2.498 ⁺⁰⁰⁰ / ₋₀₀₂	2.500 ⁺⁰⁰⁴ / ₊₀₀₀
37501750-625B	1-3/4	2-1/2	5/8	.688 ⁺⁰¹⁵ / ₊₀₀₀	1.750 ⁺⁰⁰⁰ / ₋₀₀₂	1.752 ⁺⁰⁰⁴ / ₊₀₀₀	2.500 ⁺⁰⁰⁵ / ₊₀₀₀	1.750 ⁺⁰⁰⁰ / ₋₀₀₅	2.498 ⁺⁰⁰⁰ / ₋₀₀₂	2.500 ⁺⁰⁰⁴ / ₊₀₀₀
37501875	1-7/8	2-5/8	3/8	.413 ⁺⁰¹⁵ / ₊₀₀₀	1.875 ⁺⁰⁰⁰ / ₋₀₀₂	1.877 ⁺⁰⁰⁴ / ₊₀₀₀	2.625 ⁺⁰⁰⁵ / ₊₀₀₀	1.875 ⁺⁰⁰⁰ / ₋₀₀₅	2.623 ⁺⁰⁰⁰ / ₋₀₀₂	2.625 ⁺⁰⁰⁴ / ₊₀₀₀
37502000	2	2-3/4	3/8	.413 ⁺⁰¹⁵ / ₊₀₀₀	2.000 ⁺⁰⁰⁰ / ₋₀₀₂	2.002 ⁺⁰⁰⁴ / ₊₀₀₀	2.750 ⁺⁰⁰⁵ / ₊₀₀₀	2.000 ⁺⁰⁰⁰ / ₋₀₀₅	2.748 ⁺⁰⁰⁰ / ₋₀₀₂	2.750 ⁺⁰⁰⁴ / ₊₀₀₀
37502000-B	2	2-3/4	3/8	.413 ⁺⁰¹⁵ / ₊₀₀₀	2.000 ⁺⁰⁰⁰ / ₋₀₀₂	2.002 ⁺⁰⁰⁴ / ₊₀₀₀	2.750 ⁺⁰⁰⁵ / ₊₀₀₀	2.000 ⁺⁰⁰⁰ / ₋₀₀₅	2.748 ⁺⁰⁰⁰ / ₋₀₀₂	2.750 ⁺⁰⁰⁴ / ₊₀₀₀
37502000-500B	2	2-3/4	1/2	.550 ⁺⁰¹⁵ / ₊₀₀₀	2.000 ⁺⁰⁰⁰ / ₋₀₀₂	2.002 ⁺⁰⁰⁴ / ₊₀₀₀	2.750 ⁺⁰⁰⁵ / ₊₀₀₀	2.000 ⁺⁰⁰⁰ / ₋₀₀₅	2.748 ⁺⁰⁰⁰ / ₋₀₀₂	2.750 ⁺⁰⁰⁴ / ₊₀₀₀
37502000-625B	2	2-3/4	5/8	.688 ⁺⁰¹⁵ / ₊₀₀₀	2.000 ⁺⁰⁰⁰ / ₋₀₀₂	2.002 ⁺⁰⁰⁴ / ₊₀₀₀	2.750 ⁺⁰⁰⁵ / ₊₀₀₀	2.000 ⁺⁰⁰⁰ / ₋₀₀₅	2.748 ⁺⁰⁰⁰ / ₋₀₀₂	2.750 ⁺⁰⁰⁴ / ₊₀₀₀
37502125	2-1/8	2-7/8	3/8	.413 ⁺⁰¹⁵ / ₊₀₀₀	2.125 ⁺⁰⁰⁰ / ₋₀₀₂	2.127 ⁺⁰⁰⁴ / ₊₀₀₀	2.875 ⁺⁰⁰⁵ / ₊₀₀₀	2.125 ⁺⁰⁰⁰ / ₋₀₀₅	2.873 ⁺⁰⁰⁰ / ₋₀₀₂	2.875 ⁺⁰⁰⁴ / ₊₀₀₀
37502250	2-1/4	3	3/8	.413 ⁺⁰¹⁵ / ₊₀₀₀	2.250 ⁺⁰⁰⁰ / ₋₀₀₂	2.252 ⁺⁰⁰⁴ / ₊₀₀₀	3.000 ⁺⁰⁰⁵ / ₊₀₀₀	2.250 ⁺⁰⁰⁰ / ₋₀₀₅	2.998 ⁺⁰⁰⁰ / ₋₀₀₂	3.000 ⁺⁰⁰⁴ / ₊₀₀₀
37502250-B	2-1/4	3	3/8	.413 ⁺⁰¹⁵ / ₊₀₀₀	2.250 ⁺⁰⁰⁰ / ₋₀₀₂	2.252 ⁺⁰⁰⁴ / ₊₀₀₀	3.000 ⁺⁰⁰⁵ / ₊₀₀₀	2.250 ⁺⁰⁰⁰ / ₋₀₀₅	2.998 ⁺⁰⁰⁰ / ₋₀₀₂	3.000 ⁺⁰⁰⁴ / ₊₀₀₀
37502250-500B	2-1/4	3	1/2	.550 ⁺⁰¹⁵ / ₊₀₀₀	2.250 ⁺⁰⁰⁰ / ₋₀₀₂	2.252 ⁺⁰⁰⁴ / ₊₀₀₀	3.000 ⁺⁰⁰⁵ / ₊₀₀₀	2.250 ⁺⁰⁰⁰ / ₋₀₀₅	2.998 ⁺⁰⁰⁰ / ₋₀₀₂	3.000 ⁺⁰⁰⁴ / ₊₀₀₀
37502250-625B	2-1/4	3	5/8	.688 ⁺⁰¹⁵ / ₊₀₀₀	2.250 ⁺⁰⁰⁰ / ₋₀₀₂	2.252 ⁺⁰⁰⁴ / ₊₀₀₀	3.000 ⁺⁰⁰⁵ / ₊₀₀₀	2.250 ⁺⁰⁰⁰ / ₋₀₀₅	2.998 ⁺⁰⁰⁰ / ₋₀₀₂	3.000 ⁺⁰⁰⁴ / ₊₀₀₀
37502250-625	2-1/4	3	5/8	.688 ⁺⁰¹⁵ / ₊₀₀₀	2.250 ⁺⁰⁰⁰ / ₋₀₀₂	2.252 ⁺⁰⁰⁴ / ₊₀₀₀	3.000 ⁺⁰⁰⁵ / ₊₀₀₀	2.250 ⁺⁰⁰⁰ / ₋₀₀₅	2.998 ⁺⁰⁰⁰ / ₋₀₀₂	3.000 ⁺⁰⁰⁴ / ₊₀₀₀
37502375	2-3/8	3-1/8	3/8	.413 ⁺⁰¹⁵ / ₊₀₀₀	2.375 ⁺⁰⁰⁰ / ₋₀₀₂	2.377 ⁺⁰⁰⁴ / ₊₀₀₀	3.125 ⁺⁰⁰⁵ / ₊₀₀₀	2.375 ⁺⁰⁰⁰ / ₋₀₀₅	3.123 ⁺⁰⁰⁰ / ₋₀₀₂	3.125 ⁺⁰⁰⁴ / ₊₀₀₀
37502500	2-1/2	3-1/4	3/8	.413 ⁺⁰¹⁵ / ₊₀₀₀	2.500 ⁺⁰⁰⁰ / ₋₀₀₂	2.502 ⁺⁰⁰⁴ / ₊₀₀₀	3.250 ⁺⁰⁰⁵ / ₊₀₀₀	2.500 ⁺⁰⁰⁰ / ₋₀₀₅	3.248 ⁺⁰⁰⁰ / ₋₀₀₂	3.250 ⁺⁰⁰⁴ / ₊₀₀₀
37502500-B	2-1/2	3-1/4	3/8	.413 ⁺⁰¹⁵ / ₊₀₀₀	2.500 ⁺⁰⁰⁰ / ₋₀₀₂	2.502 ⁺⁰⁰⁴ / ₊₀₀₀	3.250 ⁺⁰⁰⁵ / ₊₀₀₀	2.500 ⁺⁰⁰⁰ / ₋₀₀₅	3.248 ⁺⁰⁰⁰ / ₋₀₀₂	3.250 ⁺⁰⁰⁴ / ₊₀₀₀
37502500-500B	2-1/2	3-1/4	1/2	.550 ⁺⁰¹⁵ / ₊₀₀₀	2.500 ⁺⁰⁰⁰ / ₋₀₀₂	2.502 ⁺⁰⁰⁴ / ₊₀₀₀	3.250 ⁺⁰⁰⁵ / ₊₀₀₀	2.500 ⁺⁰⁰⁰ / ₋₀₀₅	3.248 ⁺⁰⁰⁰ / ₋₀₀₂	3.250 ⁺⁰⁰⁴ / ₊₀₀₀
37502500-625B	2-1/2	3-1/4	5/8	.688 ⁺⁰¹⁵ / ₊₀₀₀	2.500 ⁺⁰⁰⁰ / ₋₀₀₂	2.502 ⁺⁰⁰⁴ / ₊₀₀₀	3.250 ⁺⁰⁰⁵ / ₊₀₀₀	2.500 ⁺⁰⁰⁰ / ₋₀₀₅	3.248 ⁺⁰⁰⁰ / ₋₀₀₂	3.250 ⁺⁰⁰⁴ / ₊₀₀₀
37502500-625	2-1/2	3-1/4	5/8	.688 ⁺⁰¹⁵ / ₊₀₀₀	2.500 ⁺⁰⁰⁰ / ₋₀₀₂	2.502 ⁺⁰⁰⁴ / ₊₀₀₀	3.250 ⁺⁰⁰⁵ / ₊₀₀₀	2.500 ⁺⁰⁰⁰ / ₋₀₀₅	3.248 ⁺⁰⁰⁰ / ₋₀₀₂	3.250 ⁺⁰⁰⁴ / ₊₀₀₀
37502625	2-5/8	3-3/8	3/8	.413 ⁺⁰¹⁵ / ₊₀₀₀	2.625 ⁺⁰⁰⁰ / ₋₀₀₂	2.627 ⁺⁰⁰⁴ / ₊₀₀₀	3.375 ⁺⁰⁰⁵ / ₊₀₀₀	2.625 ⁺⁰⁰⁰ / ₋₀₀₅	3.373 ⁺⁰⁰⁰ / ₋₀₀₂	3.375 ⁺⁰⁰⁴ / ₊₀₀₀
37502625-625B	2-5/8	3-3/8	5/8	.688 ⁺⁰¹⁵ / ₊₀₀₀	2.625 ⁺⁰⁰⁰ / ₋₀₀₂	2.627 ⁺⁰⁰⁴ / ₊₀₀₀	3.375 ⁺⁰⁰⁵ / ₊₀₀₀	2.625 ⁺⁰⁰⁰ / ₋₀₀₅	3.373 ⁺⁰⁰⁰ / ₋₀₀₂	3.375 ⁺⁰⁰⁴ / ₊₀₀₀
37502750	2-3/4	3-1/2	3/8	.413 ⁺⁰¹⁵ / ₊₀₀₀	2.750 ⁺⁰⁰⁰ / ₋₀₀₂	2.752 ⁺⁰⁰⁴ / ₊₀₀₀	3.500 ⁺⁰⁰⁵ / ₊₀₀₀	2.750 ⁺⁰⁰⁰ / ₋₀₀₅	3.498 ⁺⁰⁰⁰ / ₋₀₀₂	3.500 ⁺⁰⁰⁴ / ₊₀₀₀
37502750-500B	2-3/4	3-1/2	1/2	.550 ⁺⁰¹⁵ / ₊₀₀₀	2.750 ⁺⁰⁰⁰ / ₋₀₀₂	2.752 ⁺⁰⁰⁴ / ₊₀₀₀	3.500 ⁺⁰⁰⁵ / ₊₀₀₀	2.750 ⁺⁰⁰⁰ / ₋₀₀₅	3.498 ⁺⁰⁰⁰ / ₋₀₀₂	3.500 ⁺⁰⁰⁴ / ₊₀₀₀
37502750-500	2-3/4	3-1/2	1/2	.550 ⁺⁰¹⁵ / ₊₀₀₀	2.750 ⁺⁰⁰⁰ / ₋₀₀₂	2.752 ⁺⁰⁰⁴ / ₊₀₀₀	3.500 ⁺⁰⁰⁵ / ₊₀₀₀	2.750 ⁺⁰⁰⁰ / ₋₀₀₅	3.498 ⁺⁰⁰⁰ / ₋₀₀₂	3.500 ⁺⁰⁰⁴ / ₊₀₀₀

POWERPAK



**4740 EASTPARK DRIVE
HOUSTON, TX 77028
T. 713-869-8003
F. 713-869-8725**

URETHANE POWERPAK

Part Number	A Nom. ID	B Nom. OD	C Nom. Ht	D GROOVE WIDTH	E ROD DIAMETER	F THROAT DIAMETER	G HOUSING DIAMETER	H GROOVE DIAMETER	I PISTON DIAMETER	J BORE DIAMETER
37502750-625B	2-3/4	3-1/2	5/8	.688 ⁺⁰¹⁵ / ₊₀₀₀	2.750 ⁺⁰⁰⁰ / ₋₀₀₂	2.752 ⁺⁰⁰⁴ / ₊₀₀₀	3.500 ⁺⁰⁰⁵ / ₊₀₀₀	2.750 ⁺⁰⁰⁰ / ₋₀₀₅	3.498 ⁺⁰⁰⁰ / ₋₀₀₂	3.500 ⁺⁰⁰⁴ / ₊₀₀₀
37502750-625	2-3/4	3-1/2	5/8	.688 ⁺⁰¹⁵ / ₊₀₀₀	2.750 ⁺⁰⁰⁰ / ₋₀₀₂	2.752 ⁺⁰⁰⁴ / ₊₀₀₀	3.500 ⁺⁰⁰⁵ / ₊₀₀₀	2.750 ⁺⁰⁰⁰ / ₋₀₀₅	3.498 ⁺⁰⁰⁰ / ₋₀₀₂	3.500 ⁺⁰⁰⁴ / ₊₀₀₀
37502812	2-13/16	3-9/16	3/8	.413 ⁺⁰¹⁵ / ₊₀₀₀	2.812 ⁺⁰⁰⁰ / ₋₀₀₂	2.814 ⁺⁰⁰⁴ / ₊₀₀₀	3.563 ⁺⁰⁰⁵ / ₊₀₀₀	2.812 ⁺⁰⁰⁰ / ₋₀₀₅	3.560 ⁺⁰⁰⁰ / ₋₀₀₂	3.563 ⁺⁰⁰⁴ / ₊₀₀₀
37502937	2-15/16	3-11/16	3/8	.413 ⁺⁰¹⁵ / ₊₀₀₀	2.937 ⁺⁰⁰⁰ / ₋₀₀₂	2.939 ⁺⁰⁰⁴ / ₊₀₀₀	3.688 ⁺⁰⁰⁵ / ₊₀₀₀	2.937 ⁺⁰⁰⁰ / ₋₀₀₅	3.685 ⁺⁰⁰⁰ / ₋₀₀₂	3.688 ⁺⁰⁰⁴ / ₊₀₀₀
37503000	3	3-3/4	3/8	.413 ⁺⁰¹⁵ / ₊₀₀₀	3.000 ⁺⁰⁰⁰ / ₋₀₀₂	3.002 ⁺⁰⁰⁴ / ₊₀₀₀	3.750 ⁺⁰⁰⁵ / ₊₀₀₀	3.000 ⁺⁰⁰⁰ / ₋₀₀₅	3.748 ⁺⁰⁰⁰ / ₋₀₀₂	3.750 ⁺⁰⁰⁴ / ₊₀₀₀
37503000-B	3	3-3/4	3/8	.413 ⁺⁰¹⁵ / ₊₀₀₀	3.000 ⁺⁰⁰⁰ / ₋₀₀₂	3.002 ⁺⁰⁰⁴ / ₊₀₀₀	3.750 ⁺⁰⁰⁵ / ₊₀₀₀	3.000 ⁺⁰⁰⁰ / ₋₀₀₅	3.748 ⁺⁰⁰⁰ / ₋₀₀₂	3.750 ⁺⁰⁰⁴ / ₊₀₀₀
37503000-500B	3	3-3/4	1/2	.550 ⁺⁰¹⁵ / ₊₀₀₀	3.000 ⁺⁰⁰⁰ / ₋₀₀₂	3.002 ⁺⁰⁰⁴ / ₊₀₀₀	3.750 ⁺⁰⁰⁵ / ₊₀₀₀	3.000 ⁺⁰⁰⁰ / ₋₀₀₅	3.748 ⁺⁰⁰⁰ / ₋₀₀₂	3.750 ⁺⁰⁰⁴ / ₊₀₀₀
37503000-625B	3	3-3/4	5/8	.688 ⁺⁰¹⁵ / ₊₀₀₀	3.000 ⁺⁰⁰⁰ / ₋₀₀₂	3.002 ⁺⁰⁰⁴ / ₊₀₀₀	3.750 ⁺⁰⁰⁵ / ₊₀₀₀	3.000 ⁺⁰⁰⁰ / ₋₀₀₅	3.748 ⁺⁰⁰⁰ / ₋₀₀₂	3.750 ⁺⁰⁰⁴ / ₊₀₀₀
37503125-B	3-1/8	3-7/8	3/8	.413 ⁺⁰¹⁵ / ₊₀₀₀	3.125 ⁺⁰⁰⁰ / ₋₀₀₂	3.127 ⁺⁰⁰⁴ / ₊₀₀₀	3.875 ⁺⁰⁰⁵ / ₊₀₀₀	3.125 ⁺⁰⁰⁰ / ₋₀₀₅	3.873 ⁺⁰⁰⁰ / ₋₀₀₂	3.875 ⁺⁰⁰⁴ / ₊₀₀₀
37503250	3-1/4	4	3/8	.413 ⁺⁰¹⁵ / ₊₀₀₀	3.250 ⁺⁰⁰⁰ / ₋₀₀₂	3.252 ⁺⁰⁰⁴ / ₊₀₀₀	4.000 ⁺⁰⁰⁵ / ₊₀₀₀	3.250 ⁺⁰⁰⁰ / ₋₀₀₅	3.998 ⁺⁰⁰⁰ / ₋₀₀₂	4.000 ⁺⁰⁰⁴ / ₊₀₀₀
37503250-500B	3-1/4	4	1/2	.550 ⁺⁰¹⁵ / ₊₀₀₀	3.250 ⁺⁰⁰⁰ / ₋₀₀₂	3.252 ⁺⁰⁰⁴ / ₊₀₀₀	4.000 ⁺⁰⁰⁵ / ₊₀₀₀	3.250 ⁺⁰⁰⁰ / ₋₀₀₅	3.998 ⁺⁰⁰⁰ / ₋₀₀₂	4.000 ⁺⁰⁰⁴ / ₊₀₀₀
37503250-625B	3-1/4	4	5/8	.688 ⁺⁰¹⁵ / ₊₀₀₀	3.250 ⁺⁰⁰⁰ / ₋₀₀₂	3.252 ⁺⁰⁰⁴ / ₊₀₀₀	4.000 ⁺⁰⁰⁵ / ₊₀₀₀	3.250 ⁺⁰⁰⁰ / ₋₀₀₅	3.998 ⁺⁰⁰⁰ / ₋₀₀₂	4.000 ⁺⁰⁰⁴ / ₊₀₀₀
37503375	3-3/8	4-1/8	3/8	.413 ⁺⁰¹⁵ / ₊₀₀₀	3.375 ⁺⁰⁰⁰ / ₋₀₀₂	3.377 ⁺⁰⁰⁴ / ₊₀₀₀	4.125 ⁺⁰⁰⁵ / ₊₀₀₀	3.375 ⁺⁰⁰⁰ / ₋₀₀₅	4.123 ⁺⁰⁰⁰ / ₋₀₀₂	4.125 ⁺⁰⁰⁴ / ₊₀₀₀
37503375-625B	3-3/8	4-1/8	5/8	.688 ⁺⁰¹⁵ / ₊₀₀₀	3.375 ⁺⁰⁰⁰ / ₋₀₀₂	3.377 ⁺⁰⁰⁴ / ₊₀₀₀	4.125 ⁺⁰⁰⁵ / ₊₀₀₀	3.375 ⁺⁰⁰⁰ / ₋₀₀₅	4.123 ⁺⁰⁰⁰ / ₋₀₀₂	4.125 ⁺⁰⁰⁴ / ₊₀₀₀
37503500	3-1/2	4-1/4	3/8	.413 ⁺⁰¹⁵ / ₊₀₀₀	3.500 ⁺⁰⁰⁰ / ₋₀₀₂	3.502 ⁺⁰⁰⁴ / ₊₀₀₀	4.250 ⁺⁰⁰⁵ / ₊₀₀₀	3.500 ⁺⁰⁰⁰ / ₋₀₀₅	4.248 ⁺⁰⁰⁰ / ₋₀₀₂	4.250 ⁺⁰⁰⁴ / ₊₀₀₀
37503500-500	3-1/2	4-1/4	1/2	.550 ⁺⁰¹⁵ / ₊₀₀₀	3.500 ⁺⁰⁰⁰ / ₋₀₀₂	3.502 ⁺⁰⁰⁴ / ₊₀₀₀	4.250 ⁺⁰⁰⁵ / ₊₀₀₀	3.500 ⁺⁰⁰⁰ / ₋₀₀₅	4.248 ⁺⁰⁰⁰ / ₋₀₀₂	4.250 ⁺⁰⁰⁴ / ₊₀₀₀
37503500-625B	3-1/2	4-1/4	5/8	.688 ⁺⁰¹⁵ / ₊₀₀₀	3.500 ⁺⁰⁰⁰ / ₋₀₀₂	3.502 ⁺⁰⁰⁴ / ₊₀₀₀	4.250 ⁺⁰⁰⁵ / ₊₀₀₀	3.500 ⁺⁰⁰⁰ / ₋₀₀₅	4.248 ⁺⁰⁰⁰ / ₋₀₀₂	4.250 ⁺⁰⁰⁴ / ₊₀₀₀
37503625	3-5/8	4-3/8	3/8	.413 ⁺⁰¹⁵ / ₊₀₀₀	3.625 ⁺⁰⁰⁰ / ₋₀₀₂	3.627 ⁺⁰⁰⁴ / ₊₀₀₀	4.375 ⁺⁰⁰⁵ / ₊₀₀₀	3.625 ⁺⁰⁰⁰ / ₋₀₀₅	4.373 ⁺⁰⁰⁰ / ₋₀₀₂	4.375 ⁺⁰⁰⁴ / ₊₀₀₀
37503625-500B	3-5/8	4-3/8	1/2	.550 ⁺⁰¹⁵ / ₊₀₀₀	3.625 ⁺⁰⁰⁰ / ₋₀₀₂	3.627 ⁺⁰⁰⁴ / ₊₀₀₀	4.375 ⁺⁰⁰⁵ / ₊₀₀₀	3.625 ⁺⁰⁰⁰ / ₋₀₀₅	4.373 ⁺⁰⁰⁰ / ₋₀₀₂	4.375 ⁺⁰⁰⁴ / ₊₀₀₀
37503625-625B	3-5/8	4-3/8	5/8	.688 ⁺⁰¹⁵ / ₊₀₀₀	3.625 ⁺⁰⁰⁰ / ₋₀₀₂	3.627 ⁺⁰⁰⁴ / ₊₀₀₀	4.375 ⁺⁰⁰⁵ / ₊₀₀₀	3.625 ⁺⁰⁰⁰ / ₋₀₀₅	4.373 ⁺⁰⁰⁰ / ₋₀₀₂	4.375 ⁺⁰⁰⁴ / ₊₀₀₀
37503750	3-3/4	4-1/2	3/8	.413 ⁺⁰¹⁵ / ₊₀₀₀	3.750 ⁺⁰⁰⁰ / ₋₀₀₂	3.752 ⁺⁰⁰⁴ / ₊₀₀₀	4.500 ⁺⁰⁰⁵ / ₊₀₀₀	3.750 ⁺⁰⁰⁰ / ₋₀₀₅	4.498 ⁺⁰⁰⁰ / ₋₀₀₂	4.500 ⁺⁰⁰⁴ / ₊₀₀₀
37503750-B	3-3/4	4-1/2	3/8	.413 ⁺⁰¹⁵ / ₊₀₀₀	3.750 ⁺⁰⁰⁰ / ₋₀₀₂	3.752 ⁺⁰⁰⁴ / ₊₀₀₀	4.500 ⁺⁰⁰⁵ / ₊₀₀₀	3.750 ⁺⁰⁰⁰ / ₋₀₀₅	4.498 ⁺⁰⁰⁰ / ₋₀₀₂	4.500 ⁺⁰⁰⁴ / ₊₀₀₀
37503750-500	3-3/4	4-1/2	1/2	.550 ⁺⁰¹⁵ / ₊₀₀₀	3.750 ⁺⁰⁰⁰ / ₋₀₀₂	3.752 ⁺⁰⁰⁴ / ₊₀₀₀	4.500 ⁺⁰⁰⁵ / ₊₀₀₀	3.750 ⁺⁰⁰⁰ / ₋₀₀₅	4.498 ⁺⁰⁰⁰ / ₋₀₀₂	4.500 ⁺⁰⁰⁴ / ₊₀₀₀
37503750-625B	3-3/4	4-1/2	5/8	.688 ⁺⁰¹⁵ / ₊₀₀₀	3.750 ⁺⁰⁰⁰ / ₋₀₀₂	3.752 ⁺⁰⁰⁴ / ₊₀₀₀	4.500 ⁺⁰⁰⁵ / ₊₀₀₀	3.750 ⁺⁰⁰⁰ / ₋₀₀₅	4.498 ⁺⁰⁰⁰ / ₋₀₀₂	4.500 ⁺⁰⁰⁴ / ₊₀₀₀
37503875	3-7/8	4-5/8	3/8	.413 ⁺⁰¹⁵ / ₊₀₀₀	3.875 ⁺⁰⁰⁰ / ₋₀₀₂	3.877 ⁺⁰⁰⁴ / ₊₀₀₀	4.625 ⁺⁰⁰⁵ / ₊₀₀₀	3.875 ⁺⁰⁰⁰ / ₋₀₀₅	4.623 ⁺⁰⁰⁰ / ₋₀₀₂	4.625 ⁺⁰⁰⁴ / ₊₀₀₀
37504000	4	4-3/4	3/8	.413 ⁺⁰¹⁵ / ₊₀₀₀	4.000 ⁺⁰⁰⁰ / ₋₀₀₂	4.002 ⁺⁰⁰⁴ / ₊₀₀₀	4.750 ⁺⁰⁰⁵ / ₊₀₀₀	4.000 ⁺⁰⁰⁰ / ₋₀₀₅	4.748 ⁺⁰⁰⁰ / ₋₀₀₂	4.750 ⁺⁰⁰⁴ / ₊₀₀₀
37504000-500	4	4-3/4	1/2	.550 ⁺⁰¹⁵ / ₊₀₀₀	4.000 ⁺⁰⁰⁰ / ₋₀₀₂	4.002 ⁺⁰⁰⁴ / ₊₀₀₀	4.750 ⁺⁰⁰⁵ / ₊₀₀₀	4.000 ⁺⁰⁰⁰ / ₋₀₀₅	4.748 ⁺⁰⁰⁰ / ₋₀₀₂	4.750 ⁺⁰⁰⁴ / ₊₀₀₀
37504000-625B	4	4-3/4	5/8	.688 ⁺⁰¹⁵ / ₊₀₀₀	4.000 ⁺⁰⁰⁰ / ₋₀₀₂	4.002 ⁺⁰⁰⁴ / ₊₀₀₀	4.750 ⁺⁰⁰⁵ / ₊₀₀₀	4.000 ⁺⁰⁰⁰ / ₋₀₀₅	4.748 ⁺⁰⁰⁰ / ₋₀₀₂	4.750 ⁺⁰⁰⁴ / ₊₀₀₀
37504000-625	4	4-3/4	5/8	.688 ⁺⁰¹⁵ / ₊₀₀₀	4.000 ⁺⁰⁰⁰ / ₋₀₀₂	4.002 ⁺⁰⁰⁴ / ₊₀₀₀	4.750 ⁺⁰⁰⁵ / ₊₀₀₀	4.000 ⁺⁰⁰⁰ / ₋₀₀₅	4.748 ⁺⁰⁰⁰ / ₋₀₀₂	4.750 ⁺⁰⁰⁴ / ₊₀₀₀
37504125	4-1/8	4-7/8	3/8	.413 ⁺⁰¹⁵ / ₊₀₀₀	4.125 ⁺⁰⁰⁰ / ₋₀₀₂	4.127 ⁺⁰⁰⁴ / ₊₀₀₀	4.875 ⁺⁰⁰⁵ / ₊₀₀₀	4.125 ⁺⁰⁰⁰ / ₋₀₀₅	4.873 ⁺⁰⁰⁰ / ₋₀₀₂	4.875 ⁺⁰⁰⁴ / ₊₀₀₀
37504250	4-1/4	5	3/8	.413 ⁺⁰¹⁵ / ₊₀₀₀	4.250 ⁺⁰⁰⁰ / ₋₀₀₂	4.252 ⁺⁰⁰⁴ / ₊₀₀₀	5.000 ⁺⁰⁰⁵ / ₊₀₀₀	4.250 ⁺⁰⁰⁰ / ₋₀₀₅	4.998 ⁺⁰⁰⁰ / ₋₀₀₂	5.000 ⁺⁰⁰⁴ / ₊₀₀₀
37504250-B	4-1/4	5	3/8	.413 ⁺⁰¹⁵ / ₊₀₀₀	4.250 ⁺⁰⁰⁰ / ₋₀₀₂	4.252 ⁺⁰⁰⁴ / ₊₀₀₀	5.000 ⁺⁰⁰⁵ / ₊₀₀₀	4.250 ⁺⁰⁰⁰ / ₋₀₀₅	4.998 ⁺⁰⁰⁰ / ₋₀₀₂	5.000 ⁺⁰⁰⁴ / ₊₀₀₀
37504250-500B	4-1/4	5	1/2	.550 ⁺⁰¹⁵ / ₊₀₀₀	4.250 ⁺⁰⁰⁰ / ₋₀₀₂	4.252 ⁺⁰⁰⁴ / ₊₀₀₀	5.000 ⁺⁰⁰⁵ / ₊₀₀₀	4.250 ⁺⁰⁰⁰ / ₋₀₀₅	4.998 ⁺⁰⁰⁰ / ₋₀₀₂	5.000 ⁺⁰⁰⁴ / ₊₀₀₀

POWERPAK



**4740 EASTPARK DRIVE
HOUSTON, TX 77028
T. 713-869-8003
F. 713-869-8725**

URETHANE POWERPAK

Part Number	A Nom. ID	B Nom. OD	C Nom. Ht	D GROOVE WIDTH	E ROD DIAMETER	F THROAT DIAMETER	G HOUSING DIAMETER	H GROOVE DIAMETER	I PISTON DIAMETER	J BORE DIAMETER
37504250-500	4-1/4	5	1/2	.550 ^{+0.015} / _{+0.000}	4.250 ^{+0.000} / _{-0.002}	4.252 ^{+0.004} / _{+0.000}	5.000 ^{+0.005} / _{+0.000}	4.250 ^{+0.000} / _{-0.005}	4.998 ^{+0.000} / _{-0.002}	5.000 ^{+0.004} / _{+0.000}
37504250-625B	4-1/4	5	5/8	.688 ^{+0.015} / _{+0.000}	4.250 ^{+0.000} / _{-0.002}	4.252 ^{+0.004} / _{+0.000}	5.000 ^{+0.005} / _{+0.000}	4.250 ^{+0.000} / _{-0.005}	4.998 ^{+0.000} / _{-0.002}	5.000 ^{+0.004} / _{+0.000}
37504250-625	4-1/4	5	5/8	.688 ^{+0.015} / _{+0.000}	4.250 ^{+0.000} / _{-0.002}	4.252 ^{+0.004} / _{+0.000}	5.000 ^{+0.005} / _{+0.000}	4.250 ^{+0.000} / _{-0.005}	4.998 ^{+0.000} / _{-0.002}	5.000 ^{+0.004} / _{+0.000}
37504375	4-3/8	5-1/8	3/8	.413 ^{+0.015} / _{+0.000}	4.375 ^{+0.000} / _{-0.002}	4.377 ^{+0.004} / _{+0.000}	5.125 ^{+0.005} / _{+0.000}	4.375 ^{+0.000} / _{-0.005}	5.123 ^{+0.000} / _{-0.002}	5.125 ^{+0.004} / _{+0.000}
37504375-625B	4-3/8	5-1/8	5/8	.688 ^{+0.015} / _{+0.000}	4.375 ^{+0.000} / _{-0.002}	4.377 ^{+0.004} / _{+0.000}	5.125 ^{+0.005} / _{+0.000}	4.375 ^{+0.000} / _{-0.005}	5.123 ^{+0.000} / _{-0.002}	5.125 ^{+0.004} / _{+0.000}
37504500	4-1/2	5-1/4	3/8	.413 ^{+0.015} / _{+0.000}	4.500 ^{+0.000} / _{-0.002}	4.502 ^{+0.004} / _{+0.000}	5.250 ^{+0.005} / _{+0.000}	4.500 ^{+0.000} / _{-0.005}	5.248 ^{+0.000} / _{-0.002}	5.250 ^{+0.004} / _{+0.000}
37504500-B	4-1/2	5-1/4	3/8	.413 ^{+0.015} / _{+0.000}	4.500 ^{+0.000} / _{-0.002}	4.502 ^{+0.004} / _{+0.000}	5.250 ^{+0.005} / _{+0.000}	4.500 ^{+0.000} / _{-0.005}	5.248 ^{+0.000} / _{-0.002}	5.250 ^{+0.004} / _{+0.000}
37504500-625B	4-1/2	5-1/4	5/8	.688 ^{+0.015} / _{+0.000}	4.500 ^{+0.000} / _{-0.002}	4.502 ^{+0.004} / _{+0.000}	5.250 ^{+0.005} / _{+0.000}	4.500 ^{+0.000} / _{-0.005}	5.248 ^{+0.000} / _{-0.002}	5.250 ^{+0.004} / _{+0.000}
37504625	4-5/8	5-3/8	3/8	.413 ^{+0.015} / _{+0.000}	4.625 ^{+0.000} / _{-0.002}	4.627 ^{+0.004} / _{+0.000}	5.375 ^{+0.005} / _{+0.000}	4.625 ^{+0.000} / _{-0.005}	5.373 ^{+0.000} / _{-0.002}	5.375 ^{+0.004} / _{+0.000}
37504625-625B	4-5/8	5-3/8	5/8	.688 ^{+0.015} / _{+0.000}	4.625 ^{+0.000} / _{-0.002}	4.627 ^{+0.004} / _{+0.000}	5.375 ^{+0.005} / _{+0.000}	4.625 ^{+0.000} / _{-0.005}	5.373 ^{+0.000} / _{-0.002}	5.375 ^{+0.004} / _{+0.000}
37504750-B	4-3/4	5-1/2	3/8	.413 ^{+0.015} / _{+0.000}	4.750 ^{+0.000} / _{-0.002}	4.752 ^{+0.004} / _{+0.000}	5.500 ^{+0.005} / _{+0.000}	4.750 ^{+0.000} / _{-0.005}	5.498 ^{+0.000} / _{-0.002}	5.500 ^{+0.004} / _{+0.000}
37504750-500B	4-3/4	5-1/2	1/2	.550 ^{+0.015} / _{+0.000}	4.750 ^{+0.000} / _{-0.002}	4.752 ^{+0.004} / _{+0.000}	5.500 ^{+0.005} / _{+0.000}	4.750 ^{+0.000} / _{-0.005}	5.498 ^{+0.000} / _{-0.002}	5.500 ^{+0.004} / _{+0.000}
37504750-625B	4-3/4	5-1/2	5/8	.688 ^{+0.015} / _{+0.000}	4.750 ^{+0.000} / _{-0.002}	4.752 ^{+0.004} / _{+0.000}	5.500 ^{+0.005} / _{+0.000}	4.750 ^{+0.000} / _{-0.005}	5.498 ^{+0.000} / _{-0.002}	5.500 ^{+0.004} / _{+0.000}
37504875	4-7/8	5-5/8	3/8	.413 ^{+0.015} / _{+0.000}	4.875 ^{+0.000} / _{-0.002}	4.877 ^{+0.004} / _{+0.000}	5.625 ^{+0.005} / _{+0.000}	4.875 ^{+0.000} / _{-0.005}	5.623 ^{+0.000} / _{-0.002}	5.625 ^{+0.004} / _{+0.000}
37504875-625B	4-7/8	5-5/8	5/8	.688 ^{+0.015} / _{+0.000}	4.875 ^{+0.000} / _{-0.002}	4.877 ^{+0.004} / _{+0.000}	5.625 ^{+0.005} / _{+0.000}	4.875 ^{+0.000} / _{-0.005}	5.623 ^{+0.000} / _{-0.002}	5.625 ^{+0.004} / _{+0.000}
37505000-B	5	5-3/4	3/8	.413 ^{+0.015} / _{+0.000}	5.000 ^{+0.000} / _{-0.002}	5.002 ^{+0.004} / _{+0.000}	5.750 ^{+0.005} / _{+0.000}	5.000 ^{+0.000} / _{-0.005}	5.748 ^{+0.000} / _{-0.002}	5.750 ^{+0.004} / _{+0.000}
37505000-625B	5	5-3/4	5/8	.688 ^{+0.015} / _{+0.000}	5.000 ^{+0.000} / _{-0.002}	5.002 ^{+0.004} / _{+0.000}	5.750 ^{+0.005} / _{+0.000}	5.000 ^{+0.000} / _{-0.005}	5.748 ^{+0.000} / _{-0.002}	5.750 ^{+0.004} / _{+0.000}
37505250	5-1/4	6	3/8	.413 ^{+0.015} / _{+0.000}	5.250 ^{+0.000} / _{-0.002}	5.252 ^{+0.004} / _{+0.000}	6.000 ^{+0.005} / _{+0.000}	5.250 ^{+0.000} / _{-0.005}	5.998 ^{+0.000} / _{-0.002}	6.000 ^{+0.004} / _{+0.000}
37505250-B	5-1/4	6	3/8	.413 ^{+0.015} / _{+0.000}	5.250 ^{+0.000} / _{-0.002}	5.252 ^{+0.004} / _{+0.000}	6.000 ^{+0.005} / _{+0.000}	5.250 ^{+0.000} / _{-0.005}	5.998 ^{+0.000} / _{-0.002}	6.000 ^{+0.004} / _{+0.000}
37505250-500B	5-1/4	6	1/2	.550 ^{+0.015} / _{+0.000}	5.250 ^{+0.000} / _{-0.002}	5.252 ^{+0.004} / _{+0.000}	6.000 ^{+0.005} / _{+0.000}	5.250 ^{+0.000} / _{-0.005}	5.998 ^{+0.000} / _{-0.002}	6.000 ^{+0.004} / _{+0.000}
37505250-500	5-1/4	6	1/2	.550 ^{+0.015} / _{+0.000}	5.250 ^{+0.000} / _{-0.002}	5.252 ^{+0.004} / _{+0.000}	6.000 ^{+0.005} / _{+0.000}	5.250 ^{+0.000} / _{-0.005}	5.998 ^{+0.000} / _{-0.002}	6.000 ^{+0.004} / _{+0.000}
37505250-625B	5-1/4	6	5/8	.688 ^{+0.015} / _{+0.000}	5.250 ^{+0.000} / _{-0.002}	5.252 ^{+0.004} / _{+0.000}	6.000 ^{+0.005} / _{+0.000}	5.250 ^{+0.000} / _{-0.005}	5.998 ^{+0.000} / _{-0.002}	6.000 ^{+0.004} / _{+0.000}
37505250-625	5-1/4	6	5/8	.688 ^{+0.015} / _{+0.000}	5.250 ^{+0.000} / _{-0.002}	5.252 ^{+0.004} / _{+0.000}	6.000 ^{+0.005} / _{+0.000}	5.250 ^{+0.000} / _{-0.005}	5.998 ^{+0.000} / _{-0.002}	6.000 ^{+0.004} / _{+0.000}
37505375	5-3/8	6-1/8	3/8	.413 ^{+0.015} / _{+0.000}	5.375 ^{+0.000} / _{-0.002}	5.377 ^{+0.004} / _{+0.000}	6.125 ^{+0.005} / _{+0.000}	5.375 ^{+0.000} / _{-0.005}	6.123 ^{+0.000} / _{-0.002}	6.125 ^{+0.004} / _{+0.000}
37505375-625B	5-3/8	6-1/8	5/8	.688 ^{+0.015} / _{+0.000}	5.375 ^{+0.000} / _{-0.002}	5.377 ^{+0.004} / _{+0.000}	6.125 ^{+0.005} / _{+0.000}	5.375 ^{+0.000} / _{-0.005}	6.123 ^{+0.000} / _{-0.002}	6.125 ^{+0.004} / _{+0.000}
37505500-B	5-1/2	6-1/4	3/8	.413 ^{+0.015} / _{+0.000}	5.500 ^{+0.000} / _{-0.002}	5.502 ^{+0.004} / _{+0.000}	6.250 ^{+0.005} / _{+0.000}	5.500 ^{+0.000} / _{-0.005}	6.248 ^{+0.000} / _{-0.002}	6.250 ^{+0.004} / _{+0.000}
37505500-625B	5-1/2	6-1/4	5/8	.688 ^{+0.015} / _{+0.000}	5.500 ^{+0.000} / _{-0.002}	5.502 ^{+0.004} / _{+0.000}	6.250 ^{+0.005} / _{+0.000}	5.500 ^{+0.000} / _{-0.005}	6.248 ^{+0.000} / _{-0.002}	6.250 ^{+0.004} / _{+0.000}
37505750	5-3/4	6-1/2	3/8	.413 ^{+0.015} / _{+0.000}	5.750 ^{+0.000} / _{-0.002}	5.752 ^{+0.004} / _{+0.000}	6.500 ^{+0.005} / _{+0.000}	5.750 ^{+0.000} / _{-0.005}	6.498 ^{+0.000} / _{-0.002}	6.500 ^{+0.004} / _{+0.000}
37505750-625B	5-3/4	6-1/2	5/8	.688 ^{+0.015} / _{+0.000}	5.750 ^{+0.000} / _{-0.002}	5.752 ^{+0.004} / _{+0.000}	6.500 ^{+0.005} / _{+0.000}	5.750 ^{+0.000} / _{-0.005}	6.498 ^{+0.000} / _{-0.002}	6.500 ^{+0.004} / _{+0.000}
37505875	5-7/8	6-5/8	3/8	.413 ^{+0.015} / _{+0.000}	5.875 ^{+0.000} / _{-0.002}	5.877 ^{+0.004} / _{+0.000}	6.625 ^{+0.005} / _{+0.000}	5.875 ^{+0.000} / _{-0.005}	6.623 ^{+0.000} / _{-0.002}	6.625 ^{+0.004} / _{+0.000}
37505875-625B	5-7/8	6-5/8	5/8	.688 ^{+0.015} / _{+0.000}	5.875 ^{+0.000} / _{-0.002}	5.877 ^{+0.004} / _{+0.000}	6.625 ^{+0.005} / _{+0.000}	5.875 ^{+0.000} / _{-0.005}	6.623 ^{+0.000} / _{-0.002}	6.625 ^{+0.004} / _{+0.000}
37506000-B	6	6-3/4	3/8	.413 ^{+0.015} / _{+0.000}	6.000 ^{+0.000} / _{-0.002}	6.002 ^{+0.004} / _{+0.000}	6.750 ^{+0.005} / _{+0.000}	6.000 ^{+0.000} / _{-0.005}	6.748 ^{+0.000} / _{-0.002}	6.750 ^{+0.004} / _{+0.000}
37506000-625B	6	6-3/4	5/8	.688 ^{+0.015} / _{+0.000}	6.000 ^{+0.000} / _{-0.002}	6.002 ^{+0.004} / _{+0.000}	6.750 ^{+0.005} / _{+0.000}	6.000 ^{+0.000} / _{-0.005}	6.748 ^{+0.000} / _{-0.002}	6.750 ^{+0.004} / _{+0.000}

POWERPAK



**4740 EASTPARK DRIVE
HOUSTON, TX 77028
T. 713-869-8003
F. 713-869-8725**

URETHANE POWERPAK

Part Number	A Nom. ID	B Nom. OD	C Nom. Ht	D GROOVE WIDTH	E ROD DIAMETER	F THROAT DIAMETER	G HOUSING DIAMETER	H GROOVE DIAMETER	I PISTON DIAMETER	J BORE DIAMETER
37506250	6-1/4	7	3/8	.413 ^{+0.015} / _{+0.000}	6.250 ^{+0.000} / _{-.002}	6.252 ^{+0.004} / _{+0.000}	7.000 ^{+0.005} / _{+0.000}	6.250 ^{+0.000} / _{-.005}	6.998 ^{+0.000} / _{-.002}	7.000 ^{+0.004} / _{+0.000}
37506250-500	6-1/4	7	1/2	.550 ^{+0.015} / _{+0.000}	6.250 ^{+0.000} / _{-.002}	6.252 ^{+0.004} / _{+0.000}	7.000 ^{+0.005} / _{+0.000}	6.250 ^{+0.000} / _{-.005}	6.998 ^{+0.000} / _{-.002}	7.000 ^{+0.004} / _{+0.000}
37506250-625B	6-1/4	7	5/8	.688 ^{+0.015} / _{+0.000}	6.250 ^{+0.000} / _{-.002}	6.252 ^{+0.004} / _{+0.000}	7.000 ^{+0.005} / _{+0.000}	6.250 ^{+0.000} / _{-.005}	6.998 ^{+0.000} / _{-.002}	7.000 ^{+0.004} / _{+0.000}
37506375	6-3/8	7-1/8	3/8	.413 ^{+0.015} / _{+0.000}	6.375 ^{+0.000} / _{-.002}	6.377 ^{+0.004} / _{+0.000}	7.125 ^{+0.005} / _{+0.000}	6.375 ^{+0.000} / _{-.005}	7.123 ^{+0.000} / _{-.002}	7.125 ^{+0.004} / _{+0.000}
37506500	6-1/2	7-1/4	3/8	.413 ^{+0.015} / _{+0.000}	6.500 ^{+0.000} / _{-.002}	6.502 ^{+0.004} / _{+0.000}	7.250 ^{+0.005} / _{+0.000}	6.500 ^{+0.000} / _{-.005}	7.248 ^{+0.000} / _{-.002}	7.250 ^{+0.004} / _{+0.000}
37506500-500B	6-1/2	7-1/4	1/2	.550 ^{+0.015} / _{+0.000}	6.500 ^{+0.000} / _{-.002}	6.502 ^{+0.004} / _{+0.000}	7.250 ^{+0.005} / _{+0.000}	6.500 ^{+0.000} / _{-.005}	7.248 ^{+0.000} / _{-.002}	7.250 ^{+0.004} / _{+0.000}
37506500-625B	6-1/2	7-1/4	5/8	.688 ^{+0.015} / _{+0.000}	6.500 ^{+0.000} / _{-.002}	6.502 ^{+0.004} / _{+0.000}	7.250 ^{+0.005} / _{+0.000}	6.500 ^{+0.000} / _{-.005}	7.248 ^{+0.000} / _{-.002}	7.250 ^{+0.004} / _{+0.000}
37506750-625B	6-3/4	7-1/2	5/8	.688 ^{+0.015} / _{+0.000}	6.750 ^{+0.000} / _{-.002}	6.752 ^{+0.004} / _{+0.000}	7.500 ^{+0.005} / _{+0.000}	6.750 ^{+0.000} / _{-.005}	7.498 ^{+0.000} / _{-.002}	7.500 ^{+0.004} / _{+0.000}
37506875-625B	6-7/8	7-5/8	5/8	.688 ^{+0.015} / _{+0.000}	6.875 ^{+0.000} / _{-.002}	6.877 ^{+0.004} / _{+0.000}	7.625 ^{+0.005} / _{+0.000}	6.875 ^{+0.000} / _{-.005}	7.623 ^{+0.000} / _{-.002}	7.625 ^{+0.004} / _{+0.000}
37507000	7	7-3/4	3/8	.413 ^{+0.015} / _{+0.000}	7.000 ^{+0.000} / _{-.002}	7.002 ^{+0.004} / _{+0.000}	7.750 ^{+0.005} / _{+0.000}	7.000 ^{+0.000} / _{-.005}	7.748 ^{+0.000} / _{-.002}	7.750 ^{+0.004} / _{+0.000}
37507000-500B	7	7-3/4	1/2	.550 ^{+0.015} / _{+0.000}	7.000 ^{+0.000} / _{-.002}	7.002 ^{+0.004} / _{+0.000}	7.750 ^{+0.005} / _{+0.000}	7.000 ^{+0.000} / _{-.005}	7.748 ^{+0.000} / _{-.002}	7.750 ^{+0.004} / _{+0.000}
37507000-625B	7	7-3/4	5/8	.688 ^{+0.015} / _{+0.000}	7.000 ^{+0.000} / _{-.002}	7.002 ^{+0.004} / _{+0.000}	7.750 ^{+0.005} / _{+0.000}	7.000 ^{+0.000} / _{-.005}	7.748 ^{+0.000} / _{-.002}	7.750 ^{+0.004} / _{+0.000}
37507250	7-1/4	8	3/8	.413 ^{+0.015} / _{+0.000}	7.250 ^{+0.000} / _{-.002}	7.252 ^{+0.004} / _{+0.000}	8.000 ^{+0.005} / _{+0.000}	7.250 ^{+0.000} / _{-.005}	7.998 ^{+0.000} / _{-.002}	8.000 ^{+0.004} / _{+0.000}
37507250-B	7-1/4	8	3/8	.413 ^{+0.015} / _{+0.000}	7.250 ^{+0.000} / _{-.002}	7.252 ^{+0.004} / _{+0.000}	8.000 ^{+0.005} / _{+0.000}	7.250 ^{+0.000} / _{-.005}	7.998 ^{+0.000} / _{-.002}	8.000 ^{+0.004} / _{+0.000}
37507250-500B	7-1/4	8	1/2	.550 ^{+0.015} / _{+0.000}	7.250 ^{+0.000} / _{-.002}	7.252 ^{+0.004} / _{+0.000}	8.000 ^{+0.005} / _{+0.000}	7.250 ^{+0.000} / _{-.005}	7.998 ^{+0.000} / _{-.002}	8.000 ^{+0.004} / _{+0.000}
37507250-625B	7-1/4	8	5/8	.688 ^{+0.015} / _{+0.000}	7.250 ^{+0.000} / _{-.002}	7.252 ^{+0.004} / _{+0.000}	8.000 ^{+0.005} / _{+0.000}	7.250 ^{+0.000} / _{-.005}	7.998 ^{+0.000} / _{-.002}	8.000 ^{+0.004} / _{+0.000}
37505000-500B	7-1/2	8-1/4	1/2	.550 ^{+0.015} / _{+0.000}	7.500 ^{+0.000} / _{-.002}	7.502 ^{+0.004} / _{+0.000}	8.250 ^{+0.005} / _{+0.000}	7.500 ^{+0.000} / _{-.005}	8.248 ^{+0.000} / _{-.002}	8.250 ^{+0.004} / _{+0.000}
37507750	7-3/4	8-1/2	3/8	.413 ^{+0.015} / _{+0.000}	7.750 ^{+0.000} / _{-.002}	7.752 ^{+0.004} / _{+0.000}	8.500 ^{+0.005} / _{+0.000}	7.750 ^{+0.000} / _{-.005}	8.498 ^{+0.000} / _{-.002}	8.500 ^{+0.004} / _{+0.000}
37507750-625B	7-3/4	8-1/2	5/8	.688 ^{+0.015} / _{+0.000}	7.750 ^{+0.000} / _{-.002}	7.752 ^{+0.004} / _{+0.000}	8.500 ^{+0.005} / _{+0.000}	7.750 ^{+0.000} / _{-.005}	8.498 ^{+0.000} / _{-.002}	8.500 ^{+0.004} / _{+0.000}
37508000-500	8	8-3/4	1/2	.550 ^{+0.015} / _{+0.000}	8.000 ^{+0.000} / _{-.002}	8.002 ^{+0.004} / _{+0.000}	8.750 ^{+0.005} / _{+0.000}	8.000 ^{+0.000} / _{-.005}	8.748 ^{+0.000} / _{-.002}	8.750 ^{+0.004} / _{+0.000}
37508000-625B	8	8-3/4	5/8	.688 ^{+0.015} / _{+0.000}	8.000 ^{+0.000} / _{-.002}	8.002 ^{+0.004} / _{+0.000}	8.750 ^{+0.005} / _{+0.000}	8.000 ^{+0.000} / _{-.005}	8.748 ^{+0.000} / _{-.002}	8.750 ^{+0.004} / _{+0.000}
37508250	8-1/4	9	3/8	.413 ^{+0.015} / _{+0.000}	8.250 ^{+0.000} / _{-.002}	8.252 ^{+0.004} / _{+0.000}	9.000 ^{+0.005} / _{+0.000}	8.250 ^{+0.000} / _{-.005}	8.998 ^{+0.000} / _{-.002}	9.000 ^{+0.004} / _{+0.000}
37508250-625B	8-1/4	9	5/8	.688 ^{+0.015} / _{+0.000}	8.250 ^{+0.000} / _{-.002}	8.252 ^{+0.004} / _{+0.000}	9.000 ^{+0.005} / _{+0.000}	8.250 ^{+0.000} / _{-.005}	8.998 ^{+0.000} / _{-.002}	9.000 ^{+0.004} / _{+0.000}
37508750-625	8-3/4	9-1/2	5/8	.688 ^{+0.015} / _{+0.000}	8.750 ^{+0.000} / _{-.002}	8.752 ^{+0.004} / _{+0.000}	9.500 ^{+0.005} / _{+0.000}	8.750 ^{+0.000} / _{-.005}	9.498 ^{+0.000} / _{-.002}	9.500 ^{+0.004} / _{+0.000}
37509000	9	9-3/4	3/8	.413 ^{+0.015} / _{+0.000}	9.000 ^{+0.000} / _{-.002}	9.002 ^{+0.004} / _{+0.000}	9.750 ^{+0.005} / _{+0.000}	9.000 ^{+0.000} / _{-.005}	9.748 ^{+0.000} / _{-.002}	9.750 ^{+0.004} / _{+0.000}
37509000-625B	9	9-3/4	5/8	.688 ^{+0.015} / _{+0.000}	9.000 ^{+0.000} / _{-.002}	9.002 ^{+0.004} / _{+0.000}	9.750 ^{+0.005} / _{+0.000}	9.000 ^{+0.000} / _{-.005}	9.748 ^{+0.000} / _{-.002}	9.750 ^{+0.004} / _{+0.000}
37509250	9-1/4	10	3/8	.413 ^{+0.015} / _{+0.000}	9.250 ^{+0.000} / _{-.002}	9.252 ^{+0.004} / _{+0.000}	10.000 ^{+0.005} / _{+0.000}	9.250 ^{+0.000} / _{-.005}	9.998 ^{+0.000} / _{-.002}	10.000 ^{+0.004} / _{+0.000}
37509250-500	9-1/4	10	1/2	.550 ^{+0.015} / _{+0.000}	9.250 ^{+0.000} / _{-.002}	9.252 ^{+0.004} / _{+0.000}	10.000 ^{+0.005} / _{+0.000}	9.250 ^{+0.000} / _{-.005}	9.998 ^{+0.000} / _{-.002}	10.000 ^{+0.004} / _{+0.000}
37509250-625B	9-1/4	10	5/8	.688 ^{+0.015} / _{+0.000}	9.250 ^{+0.000} / _{-.002}	9.252 ^{+0.004} / _{+0.000}	10.000 ^{+0.005} / _{+0.000}	9.250 ^{+0.000} / _{-.005}	9.998 ^{+0.000} / _{-.002}	10.000 ^{+0.004} / _{+0.000}
37509500	9-1/2	10-1/4	3/8	.413 ^{+0.015} / _{+0.000}	9.500 ^{+0.000} / _{-.002}	9.502 ^{+0.004} / _{+0.000}	10.250 ^{+0.005} / _{+0.000}	9.500 ^{+0.000} / _{-.005}	10.248 ^{+0.000} / _{-.002}	10.250 ^{+0.004} / _{+0.000}
37509500-625B	9-1/2	10-1/4	5/8	.688 ^{+0.015} / _{+0.000}	9.500 ^{+0.000} / _{-.002}	9.502 ^{+0.004} / _{+0.000}	10.250 ^{+0.005} / _{+0.000}	9.500 ^{+0.000} / _{-.005}	10.248 ^{+0.000} / _{-.002}	10.250 ^{+0.004} / _{+0.000}
37509750-625B	9-3/4	10-1/2	5/8	.688 ^{+0.015} / _{+0.000}	9.750 ^{+0.000} / _{-.002}	9.752 ^{+0.004} / _{+0.000}	10.500 ^{+0.005} / _{+0.000}	9.750 ^{+0.000} / _{-.005}	10.498 ^{+0.000} / _{-.002}	10.500 ^{+0.004} / _{+0.000}
37510000	10	10-3/4	3/8	.413 ^{+0.015} / _{+0.000}	10.000 ^{+0.000} / _{-.002}	10.002 ^{+0.004} / _{+0.000}	10.750 ^{+0.005} / _{+0.000}	10.000 ^{+0.000} / _{-.005}	10.748 ^{+0.000} / _{-.002}	10.750 ^{+0.004} / _{+0.000}

POWERPAK



**4740 EASTPARK DRIVE
HOUSTON, TX 77028
T. 713-869-8003
F. 713-869-8725**

URETHANE POWERPAK

Part Number	A Nom. ID	B Nom. OD	C Nom. Ht	D GROOVE WIDTH	E ROD DIAMETER	F THROAT DIAMETER	G HOUSING DIAMETER	H GROOVE DIAMETER	I PISTON DIAMETER	J BORE DIAMETER	
37510000-625B	10	10-3/4	5/8	.688 ^{+0.015} / _{+0.000}	10.000 ^{+0.000} / _{-.002}	10.002 ^{+0.004} / _{+0.000}	10.750 ^{+0.005} / _{+0.000}	10.000 ^{+0.000} / _{-.005}	10.748 ^{+0.000} / _{-.002}	10.750 ^{+0.004} / _{+0.000}	
37510500-625B	10-1/2	11-1/4	5/8	.688 ^{+0.015} / _{+0.000}	10.500 ^{+0.000} / _{-.002}	10.502 ^{+0.004} / _{+0.000}	11.250 ^{+0.005} / _{+0.000}	10.500 ^{+0.000} / _{-.005}	11.248 ^{+0.000} / _{-.002}	11.250 ^{+0.004} / _{+0.000}	
37511000-625B	11	11-3/4	5/8	.688 ^{+0.015} / _{+0.000}	11.000 ^{+0.000} / _{-.002}	11.002 ^{+0.004} / _{+0.000}	11.750 ^{+0.005} / _{+0.000}	11.000 ^{+0.000} / _{-.005}	11.748 ^{+0.000} / _{-.002}	11.750 ^{+0.004} / _{+0.000}	
37511250	11-1/4	12	3/8	.413 ^{+0.015} / _{+0.000}	11.250 ^{+0.000} / _{-.002}	11.252 ^{+0.004} / _{+0.000}	12.000 ^{+0.005} / _{+0.000}	11.250 ^{+0.000} / _{-.005}	11.998 ^{+0.000} / _{-.002}	12.000 ^{+0.004} / _{+0.000}	
37511250-625B	11-1/4	12	5/8	.688 ^{+0.015} / _{+0.000}	11.250 ^{+0.000} / _{-.002}	11.252 ^{+0.004} / _{+0.000}	12.000 ^{+0.005} / _{+0.000}	11.250 ^{+0.000} / _{-.005}	11.998 ^{+0.000} / _{-.002}	12.000 ^{+0.004} / _{+0.000}	
37511250-625	11-1/4	12	5/8	.688 ^{+0.015} / _{+0.000}	11.250 ^{+0.000} / _{-.002}	11.252 ^{+0.004} / _{+0.000}	12.000 ^{+0.005} / _{+0.000}	11.250 ^{+0.000} / _{-.005}	11.998 ^{+0.000} / _{-.002}	12.000 ^{+0.004} / _{+0.000}	
37512000-625B	12	12-3/4	5/8	.688 ^{+0.015} / _{+0.000}	12.000 ^{+0.000} / _{-.002}	12.002 ^{+0.004} / _{+0.000}	12.750 ^{+0.005} / _{+0.000}	12.000 ^{+0.000} / _{-.005}	12.748 ^{+0.000} / _{-.002}	12.750 ^{+0.004} / _{+0.000}	
37512250	12-1/4	13	3/8	.413 ^{+0.015} / _{+0.000}	12.250 ^{+0.000} / _{-.002}	12.252 ^{+0.004} / _{+0.000}	13.000 ^{+0.005} / _{+0.000}	12.250 ^{+0.000} / _{-.005}	12.998 ^{+0.000} / _{-.002}	13.000 ^{+0.004} / _{+0.000}	
37513250	13-1/4	14	3/8	.413 ^{+0.015} / _{+0.000}	13.250 ^{+0.000} / _{-.002}	13.252 ^{+0.004} / _{+0.000}	14.000 ^{+0.005} / _{+0.000}	13.250 ^{+0.000} / _{-.005}	13.998 ^{+0.000} / _{-.002}	14.000 ^{+0.004} / _{+0.000}	
37514250-625B	14-1/4	15	5/8	.688 ^{+0.015} / _{+0.000}	14.250 ^{+0.000} / _{-.002}	14.252 ^{+0.004} / _{+0.000}	15.000 ^{+0.005} / _{+0.000}	14.250 ^{+0.000} / _{-.005}	14.998 ^{+0.000} / _{-.002}	15.000 ^{+0.004} / _{+0.000}	
7/16" C/S											
43701500	1-1/2	2-3/8	7/16	.482 ^{+0.015} / _{+0.000}	1.500 ^{+0.000} / _{-.003}	1.502 ^{+0.004} / _{+0.000}	2.375 ^{+0.006} / _{+0.000}	1.500 ^{+0.000} / _{-.006}	2.373 ^{+0.000} / _{-.002}	2.375 ^{+0.005} / _{+0.000}	
43702500	2-1/2	3-3/8	7/16	.482 ^{+0.015} / _{+0.000}	2.500 ^{+0.000} / _{-.003}	2.502 ^{+0.004} / _{+0.000}	3.375 ^{+0.006} / _{+0.000}	2.500 ^{+0.000} / _{-.006}	3.373 ^{+0.000} / _{-.002}	3.375 ^{+0.005} / _{+0.000}	
43703125	3-1/8	4	7/16	.482 ^{+0.015} / _{+0.000}	3.125 ^{+0.000} / _{-.003}	3.127 ^{+0.004} / _{+0.000}	4.000 ^{+0.006} / _{+0.000}	3.125 ^{+0.000} / _{-.006}	3.998 ^{+0.000} / _{-.002}	4.000 ^{+0.005} / _{+0.000}	
43703875-750B	3-7/8	4-3/4	3/4	.825 ^{+0.015} / _{+0.000}	3.875 ^{+0.000} / _{-.003}	3.877 ^{+0.004} / _{+0.000}	4.750 ^{+0.006} / _{+0.000}	3.875 ^{+0.000} / _{-.006}	4.748 ^{+0.000} / _{-.002}	4.750 ^{+0.005} / _{+0.000}	
43704500	4-1/2	5-3/8	7/16	.482 ^{+0.015} / _{+0.000}	4.500 ^{+0.000} / _{-.003}	4.502 ^{+0.004} / _{+0.000}	5.375 ^{+0.006} / _{+0.000}	4.500 ^{+0.000} / _{-.006}	5.373 ^{+0.000} / _{-.002}	5.375 ^{+0.005} / _{+0.000}	
43704750	4-3/4	5-5/8	7/16	.482 ^{+0.015} / _{+0.000}	4.750 ^{+0.000} / _{-.003}	4.752 ^{+0.004} / _{+0.000}	5.625 ^{+0.006} / _{+0.000}	4.750 ^{+0.000} / _{-.006}	5.623 ^{+0.000} / _{-.002}	5.625 ^{+0.005} / _{+0.000}	
43704750-750B	4-3/4	5-5/8	3/4	.825 ^{+0.015} / _{+0.000}	4.750 ^{+0.000} / _{-.003}	4.752 ^{+0.004} / _{+0.000}	5.625 ^{+0.006} / _{+0.000}	4.750 ^{+0.000} / _{-.006}	5.623 ^{+0.000} / _{-.002}	5.625 ^{+0.005} / _{+0.000}	
43705125	5-1/8	6	7/16	.482 ^{+0.015} / _{+0.000}	5.125 ^{+0.000} / _{-.003}	5.127 ^{+0.004} / _{+0.000}	6.000 ^{+0.006} / _{+0.000}	5.125 ^{+0.000} / _{-.006}	5.998 ^{+0.000} / _{-.002}	6.000 ^{+0.005} / _{+0.000}	
43705250	5-1/4	6-1/8	7/16	.482 ^{+0.015} / _{+0.000}	5.250 ^{+0.000} / _{-.003}	5.252 ^{+0.004} / _{+0.000}	6.125 ^{+0.006} / _{+0.000}	5.250 ^{+0.000} / _{-.006}	6.123 ^{+0.000} / _{-.002}	6.125 ^{+0.005} / _{+0.000}	
1/2" C/S											
50001000	1	2	1/2	.550 ^{+0.015} / _{+0.000}	1.000 ^{+0.000} / _{-.003}	1.002 ^{+0.005} / _{+0.000}	2.000 ^{+0.007} / _{+0.000}	1.000 ^{+0.000} / _{-.007}	1.998 ^{+0.000} / _{-.003}	2.000 ^{+0.005} / _{+0.000}	
50001250	1-1/4	2-1/4	1/2	.550 ^{+0.015} / _{+0.000}	1.250 ^{+0.000} / _{-.003}	1.252 ^{+0.005} / _{+0.000}	2.250 ^{+0.007} / _{+0.000}	1.250 ^{+0.000} / _{-.007}	2.248 ^{+0.000} / _{-.003}	2.250 ^{+0.005} / _{+0.000}	
50001500	1-1/2	2-1/2	1/2	.550 ^{+0.015} / _{+0.000}	1.500 ^{+0.000} / _{-.003}	1.502 ^{+0.005} / _{+0.000}	2.500 ^{+0.007} / _{+0.000}	1.500 ^{+0.000} / _{-.007}	2.498 ^{+0.000} / _{-.003}	2.500 ^{+0.005} / _{+0.000}	
50001750	1-3/4	2-3/4	1/2	.550 ^{+0.015} / _{+0.000}	1.750 ^{+0.000} / _{-.003}	1.752 ^{+0.005} / _{+0.000}	2.750 ^{+0.007} / _{+0.000}	1.750 ^{+0.000} / _{-.007}	2.748 ^{+0.000} / _{-.003}	2.750 ^{+0.005} / _{+0.000}	
50001875-625B	1-7/8	2-7/8	5/8	.688 ^{+0.015} / _{+0.000}	1.875 ^{+0.000} / _{-.003}	1.877 ^{+0.005} / _{+0.000}	2.875 ^{+0.007} / _{+0.000}	1.875 ^{+0.000} / _{-.007}	2.873 ^{+0.000} / _{-.003}	2.875 ^{+0.005} / _{+0.000}	
50002000	2	3	1/2	.550 ^{+0.015} / _{+0.000}	2.000 ^{+0.000} / _{-.003}	2.002 ^{+0.005} / _{+0.000}	3.000 ^{+0.007} / _{+0.000}	2.000 ^{+0.000} / _{-.007}	2.998 ^{+0.000} / _{-.003}	3.000 ^{+0.005} / _{+0.000}	
50002000-B	2	3	1/2	.550 ^{+0.015} / _{+0.000}	2.000 ^{+0.000} / _{-.003}	2.002 ^{+0.005} / _{+0.000}	3.000 ^{+0.007} / _{+0.000}	2.000 ^{+0.000} / _{-.007}	2.998 ^{+0.000} / _{-.003}	3.000 ^{+0.005} / _{+0.000}	
50002000-750B	2	3	3/4	.825 ^{+0.015} / _{+0.000}	2.000 ^{+0.000} / _{-.003}	2.002 ^{+0.005} / _{+0.000}	3.000 ^{+0.007} / _{+0.000}	2.000 ^{+0.000} / _{-.007}	2.998 ^{+0.000} / _{-.003}	3.000 ^{+0.005} / _{+0.000}	
50002250	2-1/4	3-1/4	1/2	.550 ^{+0.015} / _{+0.000}	2.250 ^{+0.000} / _{-.003}	2.252 ^{+0.005} / _{+0.000}	3.250 ^{+0.007} / _{+0.000}	2.250 ^{+0.000} / _{-.007}	3.248 ^{+0.000} / _{-.003}	3.250 ^{+0.005} / _{+0.000}	
50002375-B	2-3/8	3-3/8	1/2	.550 ^{+0.015} / _{+0.000}	2.375 ^{+0.000} / _{-.003}	2.377 ^{+0.005} / _{+0.000}	3.375 ^{+0.007} / _{+0.000}	2.375 ^{+0.000} / _{-.007}	3.373 ^{+0.000} / _{-.003}	3.375 ^{+0.005} / _{+0.000}	
50002500	2-1/2	3-1/2	1/2	.550 ^{+0.015} / _{+0.000}	2.500 ^{+0.000} / _{-.003}	2.502 ^{+0.005} / _{+0.000}	3.500 ^{+0.007} / _{+0.000}	2.500 ^{+0.000} / _{-.007}	3.498 ^{+0.000} / _{-.003}	3.500 ^{+0.005} / _{+0.000}	
50002500-750B	2-1/2	3-1/2	3/4	.825 ^{+0.015} / _{+0.000}	2.500 ^{+0.000} / _{-.003}	2.502 ^{+0.005} / _{+0.000}	3.500 ^{+0.007} / _{+0.000}	2.500 ^{+0.000} / _{-.007}	3.498 ^{+0.000} / _{-.003}	3.500 ^{+0.005} / _{+0.000}	

POWERPAK



**4740 EASTPARK DRIVE
HOUSTON, TX 77028
T. 713-869-8003
F. 713-869-8725**

URETHANE POWERPAK

Part Number	A Nom. ID	B Nom. OD	C Nom. Ht	D GROOVE WIDTH	E ROD DIAMETER	F THROAT DIAMETER	G HOUSING DIAMETER	H GROOVE DIAMETER	I PISTON DIAMETER	J BORE DIAMETER
50002750	2-3/4	3-3/4	1/2	.550 ^{+0.015} / _{+0.000}	2.750 ^{+0.000} / _{-.003}	2.752 ^{+0.005} / _{+0.000}	3.750 ^{+0.007} / _{+0.000}	2.750 ^{+0.000} / _{-.007}	3.748 ^{+0.000} / _{-.003}	3.750 ^{+0.005} / _{+0.000}
50003000	3	4	1/2	.550 ^{+0.015} / _{+0.000}	3.000 ^{+0.000} / _{-.003}	3.002 ^{+0.005} / _{+0.000}	4.000 ^{+0.007} / _{+0.000}	3.000 ^{+0.000} / _{-.007}	3.998 ^{+0.000} / _{-.003}	4.000 ^{+0.005} / _{+0.000}
50003000-B	3	4	1/2	.550 ^{+0.015} / _{+0.000}	3.000 ^{+0.000} / _{-.003}	3.002 ^{+0.005} / _{+0.000}	4.000 ^{+0.007} / _{+0.000}	3.000 ^{+0.000} / _{-.007}	3.998 ^{+0.000} / _{-.003}	4.000 ^{+0.005} / _{+0.000}
50003000-625B	3	4	5/8	.688 ^{+0.015} / _{+0.000}	3.000 ^{+0.000} / _{-.003}	3.002 ^{+0.005} / _{+0.000}	4.000 ^{+0.007} / _{+0.000}	3.000 ^{+0.000} / _{-.007}	3.998 ^{+0.000} / _{-.003}	4.000 ^{+0.005} / _{+0.000}
50003000-750B	3	4	3/4	.825 ^{+0.015} / _{+0.000}	3.000 ^{+0.000} / _{-.003}	3.002 ^{+0.005} / _{+0.000}	4.000 ^{+0.007} / _{+0.000}	3.000 ^{+0.000} / _{-.007}	3.998 ^{+0.000} / _{-.003}	4.000 ^{+0.005} / _{+0.000}
50003000-750	3	4	3/4	.825 ^{+0.015} / _{+0.000}	3.000 ^{+0.000} / _{-.003}	3.002 ^{+0.005} / _{+0.000}	4.000 ^{+0.007} / _{+0.000}	3.000 ^{+0.000} / _{-.007}	3.998 ^{+0.000} / _{-.003}	4.000 ^{+0.005} / _{+0.000}
50003250	3-1/4	4-1/4	1/2	.550 ^{+0.015} / _{+0.000}	3.250 ^{+0.000} / _{-.003}	3.252 ^{+0.005} / _{+0.000}	4.250 ^{+0.007} / _{+0.000}	3.250 ^{+0.000} / _{-.007}	4.248 ^{+0.000} / _{-.003}	4.250 ^{+0.005} / _{+0.000}
50003500	3-1/2	4-1/2	1/2	.550 ^{+0.015} / _{+0.000}	3.500 ^{+0.000} / _{-.003}	3.502 ^{+0.005} / _{+0.000}	4.500 ^{+0.007} / _{+0.000}	3.500 ^{+0.000} / _{-.007}	4.498 ^{+0.000} / _{-.003}	4.500 ^{+0.005} / _{+0.000}
50003500-750B	3-1/2	4-1/2	3/4	.825 ^{+0.015} / _{+0.000}	3.500 ^{+0.000} / _{-.003}	3.502 ^{+0.005} / _{+0.000}	4.500 ^{+0.007} / _{+0.000}	3.500 ^{+0.000} / _{-.007}	4.498 ^{+0.000} / _{-.003}	4.500 ^{+0.005} / _{+0.000}
50003500-750	3-1/2	4-1/2	3/4	.825 ^{+0.015} / _{+0.000}	3.500 ^{+0.000} / _{-.003}	3.502 ^{+0.005} / _{+0.000}	4.500 ^{+0.007} / _{+0.000}	3.500 ^{+0.000} / _{-.007}	4.498 ^{+0.000} / _{-.003}	4.500 ^{+0.005} / _{+0.000}
50003625	3-5/8	4-5/8	1/2	.550 ^{+0.015} / _{+0.000}	3.625 ^{+0.000} / _{-.003}	3.627 ^{+0.005} / _{+0.000}	4.625 ^{+0.007} / _{+0.000}	3.625 ^{+0.000} / _{-.007}	4.623 ^{+0.000} / _{-.003}	4.625 ^{+0.005} / _{+0.000}
50003750	3-3/4	4-3/4	1/2	.550 ^{+0.015} / _{+0.000}	3.750 ^{+0.000} / _{-.003}	3.752 ^{+0.005} / _{+0.000}	4.750 ^{+0.007} / _{+0.000}	3.750 ^{+0.000} / _{-.007}	4.748 ^{+0.000} / _{-.003}	4.750 ^{+0.005} / _{+0.000}
50004000	4	5	1/2	.550 ^{+0.015} / _{+0.000}	4.000 ^{+0.000} / _{-.003}	4.002 ^{+0.005} / _{+0.000}	5.000 ^{+0.007} / _{+0.000}	4.000 ^{+0.000} / _{-.007}	4.998 ^{+0.000} / _{-.003}	5.000 ^{+0.005} / _{+0.000}
50004000-672	4	5	43/64	.740 ^{+0.015} / _{+0.000}	4.000 ^{+0.000} / _{-.003}	4.002 ^{+0.005} / _{+0.000}	5.000 ^{+0.007} / _{+0.000}	4.000 ^{+0.000} / _{-.007}	4.998 ^{+0.000} / _{-.003}	5.000 ^{+0.005} / _{+0.000}
50004000-750B	4	5	3/4	.825 ^{+0.015} / _{+0.000}	4.000 ^{+0.000} / _{-.003}	4.002 ^{+0.005} / _{+0.000}	5.000 ^{+0.007} / _{+0.000}	4.000 ^{+0.000} / _{-.007}	4.998 ^{+0.000} / _{-.003}	5.000 ^{+0.005} / _{+0.000}
50004250	4-1/4	5-1/4	1/2	.550 ^{+0.015} / _{+0.000}	4.250 ^{+0.000} / _{-.003}	4.252 ^{+0.005} / _{+0.000}	5.250 ^{+0.007} / _{+0.000}	4.250 ^{+0.000} / _{-.007}	5.248 ^{+0.000} / _{-.003}	5.250 ^{+0.005} / _{+0.000}
50004250-750B	4-1/4	5-1/4	3/4	.825 ^{+0.015} / _{+0.000}	4.250 ^{+0.000} / _{-.003}	4.252 ^{+0.005} / _{+0.000}	5.250 ^{+0.007} / _{+0.000}	4.250 ^{+0.000} / _{-.007}	5.248 ^{+0.000} / _{-.003}	5.250 ^{+0.005} / _{+0.000}
50004500	4-1/2	5-1/2	1/2	.550 ^{+0.015} / _{+0.000}	4.500 ^{+0.000} / _{-.003}	4.502 ^{+0.005} / _{+0.000}	5.500 ^{+0.007} / _{+0.000}	4.500 ^{+0.000} / _{-.007}	5.498 ^{+0.000} / _{-.003}	5.500 ^{+0.005} / _{+0.000}
50004500-750B	4-1/2	5-1/2	3/4	.825 ^{+0.015} / _{+0.000}	4.500 ^{+0.000} / _{-.003}	4.502 ^{+0.005} / _{+0.000}	5.500 ^{+0.007} / _{+0.000}	4.500 ^{+0.000} / _{-.007}	5.498 ^{+0.000} / _{-.003}	5.500 ^{+0.005} / _{+0.000}
50004500-750	4-1/2	5-1/2	3/4	.825 ^{+0.015} / _{+0.000}	4.500 ^{+0.000} / _{-.003}	4.502 ^{+0.005} / _{+0.000}	5.500 ^{+0.007} / _{+0.000}	4.500 ^{+0.000} / _{-.007}	5.498 ^{+0.000} / _{-.003}	5.500 ^{+0.005} / _{+0.000}
50004750	4-3/4	5-3/4	1/2	.550 ^{+0.015} / _{+0.000}	4.750 ^{+0.000} / _{-.003}	4.752 ^{+0.005} / _{+0.000}	5.750 ^{+0.007} / _{+0.000}	4.750 ^{+0.000} / _{-.007}	5.748 ^{+0.000} / _{-.003}	5.750 ^{+0.005} / _{+0.000}
50004750-687B	4-3/4	5-3/4	.69	.759 ^{+0.015} / _{+0.000}	4.750 ^{+0.000} / _{-.003}	4.752 ^{+0.005} / _{+0.000}	5.750 ^{+0.007} / _{+0.000}	4.750 ^{+0.000} / _{-.007}	5.748 ^{+0.000} / _{-.003}	5.750 ^{+0.005} / _{+0.000}
50005000	5	6	1/2	.550 ^{+0.015} / _{+0.000}	5.000 ^{+0.000} / _{-.003}	5.002 ^{+0.005} / _{+0.000}	6.000 ^{+0.007} / _{+0.000}	5.000 ^{+0.000} / _{-.007}	5.998 ^{+0.000} / _{-.003}	6.000 ^{+0.005} / _{+0.000}
50005000-B	5	6	1/2	.550 ^{+0.015} / _{+0.000}	5.000 ^{+0.000} / _{-.003}	5.002 ^{+0.005} / _{+0.000}	6.000 ^{+0.007} / _{+0.000}	5.000 ^{+0.000} / _{-.007}	5.998 ^{+0.000} / _{-.003}	6.000 ^{+0.005} / _{+0.000}
50005000-750B	5	6	3/4	.825 ^{+0.015} / _{+0.000}	5.000 ^{+0.000} / _{-.003}	5.002 ^{+0.005} / _{+0.000}	6.000 ^{+0.007} / _{+0.000}	5.000 ^{+0.000} / _{-.007}	5.998 ^{+0.000} / _{-.003}	6.000 ^{+0.005} / _{+0.000}
50005000-750	5	6	3/4	.825 ^{+0.015} / _{+0.000}	5.000 ^{+0.000} / _{-.003}	5.002 ^{+0.005} / _{+0.000}	6.000 ^{+0.007} / _{+0.000}	5.000 ^{+0.000} / _{-.007}	5.998 ^{+0.000} / _{-.003}	6.000 ^{+0.005} / _{+0.000}
50005250	5-1/4	6-1/4	1/2	.550 ^{+0.015} / _{+0.000}	5.250 ^{+0.000} / _{-.003}	5.252 ^{+0.005} / _{+0.000}	6.250 ^{+0.007} / _{+0.000}	5.250 ^{+0.000} / _{-.007}	6.248 ^{+0.000} / _{-.003}	6.250 ^{+0.005} / _{+0.000}
50005250-750B	5-1/4	6-1/4	3/4	.825 ^{+0.015} / _{+0.000}	5.250 ^{+0.000} / _{-.003}	5.252 ^{+0.005} / _{+0.000}	6.250 ^{+0.007} / _{+0.000}	5.250 ^{+0.000} / _{-.007}	6.248 ^{+0.000} / _{-.003}	6.250 ^{+0.005} / _{+0.000}
50005375-750B	5-3/8	6-3/8	3/4	.825 ^{+0.015} / _{+0.000}	5.375 ^{+0.000} / _{-.003}	5.377 ^{+0.005} / _{+0.000}	6.375 ^{+0.007} / _{+0.000}	5.375 ^{+0.000} / _{-.007}	6.373 ^{+0.000} / _{-.003}	6.375 ^{+0.005} / _{+0.000}
50005500	5-1/2	6-1/2	1/2	.550 ^{+0.015} / _{+0.000}	5.500 ^{+0.000} / _{-.003}	5.502 ^{+0.005} / _{+0.000}	6.500 ^{+0.007} / _{+0.000}	5.500 ^{+0.000} / _{-.007}	6.498 ^{+0.000} / _{-.003}	6.500 ^{+0.005} / _{+0.000}
50005500-750B	5-1/2	6-1/2	3/4	.825 ^{+0.015} / _{+0.000}	5.500 ^{+0.000} / _{-.003}	5.502 ^{+0.005} / _{+0.000}	6.500 ^{+0.007} / _{+0.000}	5.500 ^{+0.000} / _{-.007}	6.498 ^{+0.000} / _{-.003}	6.500 ^{+0.005} / _{+0.000}
50005500-750	5-1/2	6-1/2	3/4	.825 ^{+0.015} / _{+0.000}	5.500 ^{+0.000} / _{-.003}	5.502 ^{+0.005} / _{+0.000}	6.500 ^{+0.007} / _{+0.000}	5.500 ^{+0.000} / _{-.007}	6.498 ^{+0.000} / _{-.003}	6.500 ^{+0.005} / _{+0.000}
50005750	5-3/4	6-3/4	1/2	.550 ^{+0.015} / _{+0.000}	5.750 ^{+0.000} / _{-.003}	5.752 ^{+0.005} / _{+0.000}	6.750 ^{+0.007} / _{+0.000}	5.750 ^{+0.000} / _{-.007}	6.748 ^{+0.000} / _{-.003}	6.750 ^{+0.005} / _{+0.000}

POWERPAK



**4740 EASTPARK DRIVE
HOUSTON, TX 77028
T. 713-869-8003
F. 713-869-8725**

URETHANE POWERPAK

Part Number	A Nom. ID	B Nom. OD	C Nom. Ht	D GROOVE WIDTH	E ROD DIAMETER	F THROAT DIAMETER	G HOUSING DIAMETER	H GROOVE DIAMETER	I PISTON DIAMETER	J BORE DIAMETER
50005750-750B	5-3/4	6-3/4	3/4	.825 +.015 +.000	5.750 +.000 -.003	5.752 +.005 +.000	6.750 +.007 +.000	5.750 +.000 -.007	6.748 +.000 -.003	6.750 +.005 +.000
50006000-B	6	7	1/2	.550 +.015 +.000	6.000 +.000 -.003	6.002 +.005 +.000	7.000 +.007 +.000	6.000 +.000 -.007	6.998 +.000 -.003	7.000 +.005 +.000
50006000-750B	6	7	3/4	.825 +.015 +.000	6.000 +.000 -.003	6.002 +.005 +.000	7.000 +.007 +.000	6.000 +.000 -.007	6.998 +.000 -.003	7.000 +.005 +.000
50006000-750	6	7	3/4	.825 +.015 +.000	6.000 +.000 -.003	6.002 +.005 +.000	7.000 +.007 +.000	6.000 +.000 -.007	6.998 +.000 -.003	7.000 +.005 +.000
50006250	6-1/4	7-1/4	1/2	.550 +.015 +.000	6.250 +.000 -.003	6.252 +.005 +.000	7.250 +.007 +.000	6.250 +.000 -.007	7.248 +.000 -.003	7.250 +.005 +.000
50006500	6-1/2	7-1/2	1/2	.550 +.015 +.000	6.500 +.000 -.003	6.502 +.005 +.000	7.500 +.007 +.000	6.500 +.000 -.007	7.498 +.000 -.003	7.500 +.005 +.000
50006500-750B	6-1/2	7-1/2	3/4	.825 +.015 +.000	6.500 +.000 -.003	6.502 +.005 +.000	7.500 +.007 +.000	6.500 +.000 -.007	7.498 +.000 -.003	7.500 +.005 +.000
50006750-750B	6-3/4	7-3/4	3/4	.825 +.015 +.000	6.750 +.000 -.003	6.752 +.005 +.000	7.750 +.007 +.000	6.750 +.000 -.007	7.748 +.000 -.003	7.750 +.005 +.000
50007000	7	8	1/2	.550 +.015 +.000	7.000 +.000 -.003	7.002 +.005 +.000	8.000 +.007 +.000	7.000 +.000 -.007	7.998 +.000 -.003	8.000 +.005 +.000
50007000-750B	7	8	3/4	.825 +.015 +.000	7.000 +.000 -.003	7.002 +.005 +.000	8.000 +.007 +.000	7.000 +.000 -.007	7.998 +.000 -.003	8.000 +.005 +.000
50007250	7-1/4	8-1/4	1/2	.550 +.015 +.000	7.250 +.000 -.003	7.252 +.005 +.000	8.250 +.007 +.000	7.250 +.000 -.007	8.248 +.000 -.003	8.250 +.005 +.000
50007500	7-1/2	8-1/2	1/2	.550 +.015 +.000	7.500 +.000 -.003	7.502 +.005 +.000	8.500 +.007 +.000	7.500 +.000 -.007	8.498 +.000 -.003	8.500 +.005 +.000
50007500-750	7-1/2	8-1/2	3/4	.825 +.015 +.000	7.500 +.000 -.003	7.502 +.005 +.000	8.500 +.007 +.000	7.500 +.000 -.007	8.498 +.000 -.003	8.500 +.005 +.000
50008000	8	9	1/2	.550 +.015 +.000	8.000 +.000 -.003	8.002 +.005 +.000	9.000 +.007 +.000	8.000 +.000 -.007	8.998 +.000 -.003	9.000 +.005 +.000
50008000-750B	8	9	3/4	.825 +.015 +.000	8.000 +.000 -.003	8.002 +.005 +.000	9.000 +.007 +.000	8.000 +.000 -.007	8.998 +.000 -.003	9.000 +.005 +.000
50008000-750	8	9	3/4	.825 +.015 +.000	8.000 +.000 -.003	8.002 +.005 +.000	9.000 +.007 +.000	8.000 +.000 -.007	8.998 +.000 -.003	9.000 +.005 +.000
50008500	8-1/2	9-1/2	1/2	.550 +.015 +.000	8.500 +.000 -.003	8.502 +.005 +.000	9.500 +.007 +.000	8.500 +.000 -.007	9.498 +.000 -.003	9.500 +.005 +.000
50008500-750B	8-1/2	9-1/2	3/4	.825 +.015 +.000	8.500 +.000 -.003	8.502 +.005 +.000	9.500 +.007 +.000	8.500 +.000 -.007	9.498 +.000 -.003	9.500 +.005 +.000
50008750	8-3/4	9-3/4	1/2	.550 +.015 +.000	8.750 +.000 -.003	8.752 +.005 +.000	9.750 +.007 +.000	8.750 +.000 -.007	9.748 +.000 -.003	9.750 +.005 +.000
50009000	9	10	1/2	.550 +.015 +.000	9.000 +.000 -.003	9.002 +.005 +.000	10.000 +.007 +.000	9.000 +.000 -.007	9.998 +.000 -.003	10.000 +.005 +.000
50009000-750B	9	10	3/4	.825 +.015 +.000	9.000 +.000 -.003	9.002 +.005 +.000	10.000 +.007 +.000	9.000 +.000 -.007	9.998 +.000 -.003	10.000 +.005 +.000
50009250-750B	9-1/4	10-1/4	3/4	.825 +.015 +.000	9.250 +.000 -.003	9.252 +.005 +.000	10.250 +.007 +.000	9.250 +.000 -.007	10.248 +.000 -.003	10.250 +.005 +.000
50009500	9-1/2	10-1/2	1/2	.550 +.015 +.000	9.500 +.000 -.003	9.502 +.005 +.000	10.500 +.007 +.000	9.500 +.000 -.007	10.498 +.000 -.003	10.500 +.005 +.000
50010000	10	11	1/2	.550 +.015 +.000	10.000 +.000 -.003	10.002 +.005 +.000	11.000 +.007 +.000	10.000 +.000 -.007	10.998 +.000 -.003	11.000 +.005 +.000
50010000-750B	10	11	3/4	.825 +.015 +.000	10.000 +.000 -.003	10.002 +.005 +.000	11.000 +.007 +.000	10.000 +.000 -.007	10.998 +.000 -.003	11.000 +.005 +.000
50010000-750	10	11	3/4	.825 +.015 +.000	10.000 +.000 -.003	10.002 +.005 +.000	11.000 +.007 +.000	10.000 +.000 -.007	10.998 +.000 -.003	11.000 +.005 +.000
50010500	10-1/2	11-1/2	1/2	.550 +.015 +.000	10.500 +.000 -.003	10.502 +.005 +.000	11.500 +.007 +.000	10.500 +.000 -.007	11.498 +.000 -.003	11.500 +.005 +.000
50010625-750B	10-5/8	11-5/8	3/4	.825 +.015 +.000	10.625 +.000 -.003	10.627 +.005 +.000	11.625 +.007 +.000	10.625 +.000 -.007	11.623 +.000 -.003	11.625 +.005 +.000
50011000	11	12	1/2	.550 +.015 +.000	11.000 +.000 -.003	11.002 +.005 +.000	12.000 +.007 +.000	11.000 +.000 -.007	11.998 +.000 -.003	12.000 +.005 +.000
50011000-750B	11	12	3/4	.825 +.015 +.000	11.000 +.000 -.003	11.002 +.005 +.000	12.000 +.007 +.000	11.000 +.000 -.007	11.998 +.000 -.003	12.000 +.005 +.000
50011500-750	11-1/2	12-1/2	3/4	.825 +.015 +.000	11.500 +.000 -.003	11.502 +.005 +.000	12.500 +.007 +.000	11.500 +.000 -.007	12.498 +.000 -.003	12.500 +.005 +.000
50012000	12	13	1/2	.550 +.015 +.000	12.000 +.000 -.003	12.002 +.005 +.000	13.000 +.007 +.000	12.000 +.000 -.007	12.998 +.000 -.003	13.000 +.005 +.000

POWERPAK



**4740 EASTPARK DRIVE
HOUSTON, TX 77028
T. 713-869-8003
F. 713-869-8725**

URETHANE POWERPAK

Part Number	A Nom. ID	B Nom. OD	C Nom. Ht	D GROOVE WIDTH	E ROD DIAMETER	F THROAT DIAMETER	G HOUSING DIAMETER	H GROOVE DIAMETER	I PISTON DIAMETER	J BORE DIAMETER	
50012000-750B	12	13	3/4	.825 ^{+0.015} / _{+0.000}	12.000 ^{+0.000} / _{-.003}	12.002 ^{+0.005} / _{+0.000}	13.000 ^{+0.007} / _{+0.000}	12.000 ^{+0.000} / _{-.007}	12.998 ^{+0.000} / _{-.003}	13.000 ^{+0.005} / _{+0.000}	
50013000	13	14	1/2	.550 ^{+0.015} / _{+0.000}	13.000 ^{+0.000} / _{-.003}	13.002 ^{+0.005} / _{+0.000}	14.000 ^{+0.007} / _{+0.000}	13.000 ^{+0.000} / _{-.007}	13.998 ^{+0.000} / _{-.003}	14.000 ^{+0.005} / _{+0.000}	
50013000-750B	13	14	3/4	.825 ^{+0.015} / _{+0.000}	13.000 ^{+0.000} / _{-.003}	13.002 ^{+0.005} / _{+0.000}	14.000 ^{+0.007} / _{+0.000}	13.000 ^{+0.000} / _{-.007}	13.998 ^{+0.000} / _{-.003}	14.000 ^{+0.005} / _{+0.000}	
50013500-750	13-1/2	14-1/2	3/4	.825 ^{+0.015} / _{+0.000}	13.500 ^{+0.000} / _{-.003}	13.502 ^{+0.005} / _{+0.000}	14.500 ^{+0.007} / _{+0.000}	13.500 ^{+0.000} / _{-.007}	14.498 ^{+0.000} / _{-.003}	14.500 ^{+0.005} / _{+0.000}	
50014000-750B	14	15	3/4	.825 ^{+0.015} / _{+0.000}	14.000 ^{+0.000} / _{-.003}	14.002 ^{+0.005} / _{+0.000}	15.000 ^{+0.007} / _{+0.000}	14.000 ^{+0.000} / _{-.007}	14.998 ^{+0.000} / _{-.003}	15.000 ^{+0.005} / _{+0.000}	
50015000	15	16	1/2	.550 ^{+0.015} / _{+0.000}	15.000 ^{+0.000} / _{-.003}	15.002 ^{+0.005} / _{+0.000}	16.000 ^{+0.007} / _{+0.000}	15.000 ^{+0.000} / _{-.007}	15.998 ^{+0.000} / _{-.003}	16.000 ^{+0.005} / _{+0.000}	
50015000-750B	15	16	3/4	.825 ^{+0.015} / _{+0.000}	15.000 ^{+0.000} / _{-.003}	15.002 ^{+0.005} / _{+0.000}	16.000 ^{+0.007} / _{+0.000}	15.000 ^{+0.000} / _{-.007}	15.998 ^{+0.000} / _{-.003}	16.000 ^{+0.005} / _{+0.000}	
50015500-750	15-1/2	16-1/2	3/4	.825 ^{+0.015} / _{+0.000}	15.500 ^{+0.000} / _{-.003}	15.502 ^{+0.005} / _{+0.000}	16.500 ^{+0.007} / _{+0.000}	15.500 ^{+0.000} / _{-.007}	16.498 ^{+0.000} / _{-.003}	16.500 ^{+0.005} / _{+0.000}	
50017000-750B	17	18	3/4	.825 ^{+0.015} / _{+0.000}	17.000 ^{+0.000} / _{-.003}	17.002 ^{+0.005} / _{+0.000}	18.000 ^{+0.007} / _{+0.000}	17.000 ^{+0.000} / _{-.007}	17.998 ^{+0.000} / _{-.003}	18.000 ^{+0.005} / _{+0.000}	
5/8" C/S											
62501250	1-1/4	2-1/2	5/8	.688 ^{+0.015} / _{+0.000}	1.250 ^{+0.000} / _{-.003}	1.252 ^{+0.006} / _{+0.000}	2.500 ^{+0.009} / _{+0.000}	1.250 ^{+0.000} / _{-.009}	2.498 ^{+0.000} / _{-.003}	2.500 ^{+0.006} / _{+0.000}	
62501750	1-3/4	3	5/8	.688 ^{+0.015} / _{+0.000}	1.750 ^{+0.000} / _{-.003}	1.752 ^{+0.006} / _{+0.000}	3.000 ^{+0.009} / _{+0.000}	1.750 ^{+0.000} / _{-.009}	2.998 ^{+0.000} / _{-.003}	3.000 ^{+0.006} / _{+0.000}	
62502750	2-3/4	4	5/8	.688 ^{+0.015} / _{+0.000}	2.750 ^{+0.000} / _{-.003}	2.752 ^{+0.006} / _{+0.000}	4.000 ^{+0.009} / _{+0.000}	2.750 ^{+0.000} / _{-.009}	3.998 ^{+0.000} / _{-.003}	4.000 ^{+0.006} / _{+0.000}	
62503000	3	4-1/4	5/8	.688 ^{+0.015} / _{+0.000}	3.000 ^{+0.000} / _{-.003}	3.002 ^{+0.006} / _{+0.000}	4.250 ^{+0.009} / _{+0.000}	3.000 ^{+0.000} / _{-.009}	4.248 ^{+0.000} / _{-.003}	4.250 ^{+0.006} / _{+0.000}	
62503250	3-1/4	4-1/2	5/8	.688 ^{+0.015} / _{+0.000}	3.250 ^{+0.000} / _{-.003}	3.252 ^{+0.006} / _{+0.000}	4.500 ^{+0.009} / _{+0.000}	3.250 ^{+0.000} / _{-.009}	4.498 ^{+0.000} / _{-.003}	4.500 ^{+0.006} / _{+0.000}	
62503500	3-1/2	4-3/4	5/8	.688 ^{+0.015} / _{+0.000}	3.500 ^{+0.000} / _{-.003}	3.502 ^{+0.006} / _{+0.000}	4.750 ^{+0.009} / _{+0.000}	3.500 ^{+0.000} / _{-.009}	4.748 ^{+0.000} / _{-.003}	4.750 ^{+0.006} / _{+0.000}	
62503750	3-3/4	5	5/8	.688 ^{+0.015} / _{+0.000}	3.750 ^{+0.000} / _{-.003}	3.752 ^{+0.006} / _{+0.000}	5.000 ^{+0.009} / _{+0.000}	3.750 ^{+0.000} / _{-.009}	4.998 ^{+0.000} / _{-.003}	5.000 ^{+0.006} / _{+0.000}	
62504000	4	5-1/4	5/8	.688 ^{+0.015} / _{+0.000}	4.000 ^{+0.000} / _{-.003}	4.002 ^{+0.006} / _{+0.000}	5.250 ^{+0.009} / _{+0.000}	4.000 ^{+0.000} / _{-.009}	5.248 ^{+0.000} / _{-.003}	5.250 ^{+0.006} / _{+0.000}	
62504250	4-1/4	5-1/2	5/8	.688 ^{+0.015} / _{+0.000}	4.250 ^{+0.000} / _{-.003}	4.252 ^{+0.006} / _{+0.000}	5.500 ^{+0.009} / _{+0.000}	4.250 ^{+0.000} / _{-.009}	5.498 ^{+0.000} / _{-.003}	5.500 ^{+0.006} / _{+0.000}	
62504750	4-3/4	6	5/8	.688 ^{+0.015} / _{+0.000}	4.750 ^{+0.000} / _{-.003}	4.752 ^{+0.006} / _{+0.000}	6.000 ^{+0.009} / _{+0.000}	4.750 ^{+0.000} / _{-.009}	5.998 ^{+0.000} / _{-.003}	6.000 ^{+0.006} / _{+0.000}	
62504750-750	4-3/4	6	3/4	.825 ^{+0.015} / _{+0.000}	4.750 ^{+0.000} / _{-.003}	4.752 ^{+0.006} / _{+0.000}	6.000 ^{+0.009} / _{+0.000}	4.750 ^{+0.000} / _{-.009}	5.998 ^{+0.000} / _{-.003}	6.000 ^{+0.006} / _{+0.000}	
62505000	5	6-1/4	5/8	.688 ^{+0.015} / _{+0.000}	5.000 ^{+0.000} / _{-.003}	5.002 ^{+0.006} / _{+0.000}	6.250 ^{+0.009} / _{+0.000}	5.000 ^{+0.000} / _{-.009}	6.248 ^{+0.000} / _{-.003}	6.250 ^{+0.006} / _{+0.000}	
62505250	5-1/4	6-1/2	5/8	.688 ^{+0.015} / _{+0.000}	5.250 ^{+0.000} / _{-.003}	5.252 ^{+0.006} / _{+0.000}	6.500 ^{+0.009} / _{+0.000}	5.250 ^{+0.000} / _{-.009}	6.498 ^{+0.000} / _{-.003}	6.500 ^{+0.006} / _{+0.000}	
62505500	5-1/2	6-3/4	5/8	.688 ^{+0.015} / _{+0.000}	5.500 ^{+0.000} / _{-.003}	5.502 ^{+0.006} / _{+0.000}	6.750 ^{+0.009} / _{+0.000}	5.500 ^{+0.000} / _{-.009}	6.748 ^{+0.000} / _{-.003}	6.750 ^{+0.006} / _{+0.000}	
62505750	5-3/4	7	5/8	.688 ^{+0.015} / _{+0.000}	5.750 ^{+0.000} / _{-.003}	5.752 ^{+0.006} / _{+0.000}	7.000 ^{+0.009} / _{+0.000}	5.750 ^{+0.000} / _{-.009}	6.998 ^{+0.000} / _{-.003}	7.000 ^{+0.006} / _{+0.000}	
62506000	6	7-1/4	5/8	.688 ^{+0.015} / _{+0.000}	6.000 ^{+0.000} / _{-.003}	6.002 ^{+0.006} / _{+0.000}	7.250 ^{+0.009} / _{+0.000}	6.000 ^{+0.000} / _{-.009}	7.248 ^{+0.000} / _{-.003}	7.250 ^{+0.006} / _{+0.000}	
62506250	6-1/4	7-1/2	5/8	.688 ^{+0.015} / _{+0.000}	6.250 ^{+0.000} / _{-.003}	6.252 ^{+0.006} / _{+0.000}	7.500 ^{+0.009} / _{+0.000}	6.250 ^{+0.000} / _{-.009}	7.498 ^{+0.000} / _{-.003}	7.500 ^{+0.006} / _{+0.000}	
62507000-1000B	7	8-1/4	1	1.100 ^{+0.015} / _{+0.000}	7.000 ^{+0.000} / _{-.003}	7.002 ^{+0.006} / _{+0.000}	8.250 ^{+0.009} / _{+0.000}	7.000 ^{+0.000} / _{-.009}	8.248 ^{+0.000} / _{-.003}	8.250 ^{+0.006} / _{+0.000}	
62507250	7-1/4	8-1/2	5/8	.688 ^{+0.015} / _{+0.000}	7.250 ^{+0.000} / _{-.003}	7.252 ^{+0.006} / _{+0.000}	8.500 ^{+0.009} / _{+0.000}	7.250 ^{+0.000} / _{-.009}	8.498 ^{+0.000} / _{-.003}	8.500 ^{+0.006} / _{+0.000}	
62508000	8	9-1/4	5/8	.688 ^{+0.015} / _{+0.000}	8.000 ^{+0.000} / _{-.003}	8.002 ^{+0.006} / _{+0.000}	9.250 ^{+0.009} / _{+0.000}	8.000 ^{+0.000} / _{-.009}	9.248 ^{+0.000} / _{-.003}	9.250 ^{+0.006} / _{+0.000}	
62508500	8-1/2	9-3/4	5/8	.688 ^{+0.015} / _{+0.000}	8.500 ^{+0.000} / _{-.003}	8.502 ^{+0.006} / _{+0.000}	9.750 ^{+0.009} / _{+0.000}	8.500 ^{+0.000} / _{-.009}	9.748 ^{+0.000} / _{-.003}	9.750 ^{+0.006} / _{+0.000}	
62508750	8-3/4	10	5/8	.688 ^{+0.015} / _{+0.000}	8.750 ^{+0.000} / _{-.003}	8.752 ^{+0.006} / _{+0.000}	10.000 ^{+0.009} / _{+0.000}	8.750 ^{+0.000} / _{-.009}	9.998 ^{+0.000} / _{-.003}	10.000 ^{+0.006} / _{+0.000}	
62509000	9	10-1/4	5/8	.688 ^{+0.015} / _{+0.000}	9.000 ^{+0.000} / _{-.003}	9.002 ^{+0.006} / _{+0.000}	10.250 ^{+0.009} / _{+0.000}	9.000 ^{+0.000} / _{-.009}	10.248 ^{+0.000} / _{-.003}	10.250 ^{+0.006} / _{+0.000}	

POWERPAK



**4740 EASTPARK DRIVE
HOUSTON, TX 77028
T. 713-869-8003
F. 713-869-8725**

URETHANE POWERPAK

Part Number	A Nom. ID	B Nom. OD	C Nom. Ht	D GROOVE WIDTH	E ROD DIAMETER	F THROAT DIAMETER	G HOUSING DIAMETER	H GROOVE DIAMETER	I PISTON DIAMETER	J BORE DIAMETER	
62509500	9-1/2	10-3/4	5/8	.688 ^{+0.015} / _{+0.000}	9.500 ^{+0.000} / _{-.003}	9.502 ^{+0.006} / _{+0.000}	10.750 ^{+0.009} / _{+0.000}	9.500 ^{+0.000} / _{-.009}	10.748 ^{+0.000} / _{-.003}	10.750 ^{+0.006} / _{+0.000}	
62509750	9-3/4	11	5/8	.688 ^{+0.015} / _{+0.000}	9.750 ^{+0.000} / _{-.003}	9.752 ^{+0.006} / _{+0.000}	11.000 ^{+0.009} / _{+0.000}	9.750 ^{+0.000} / _{-.009}	10.998 ^{+0.000} / _{-.003}	11.000 ^{+0.006} / _{+0.000}	
62510000-1000B	10	11-1/4	1	1.100 ^{+0.015} / _{+0.000}	10.000 ^{+0.000} / _{-.003}	10.002 ^{+0.006} / _{+0.000}	11.250 ^{+0.009} / _{+0.000}	10.000 ^{+0.000} / _{-.009}	11.248 ^{+0.000} / _{-.003}	11.250 ^{+0.006} / _{+0.000}	
62512000	12	13-1/4	5/8	.688 ^{+0.015} / _{+0.000}	12.000 ^{+0.000} / _{-.003}	12.002 ^{+0.006} / _{+0.000}	13.250 ^{+0.009} / _{+0.000}	12.000 ^{+0.000} / _{-.009}	13.248 ^{+0.000} / _{-.003}	13.250 ^{+0.006} / _{+0.000}	
62514000-1000	14	15-1/4	1	1.100 ^{+0.015} / _{+0.000}	14.000 ^{+0.000} / _{-.003}	14.002 ^{+0.006} / _{+0.000}	15.250 ^{+0.009} / _{+0.000}	14.000 ^{+0.000} / _{-.009}	15.248 ^{+0.000} / _{-.003}	15.250 ^{+0.006} / _{+0.000}	
62514750-1000B	14-3/4	16	1	1.100 ^{+0.015} / _{+0.000}	14.750 ^{+0.000} / _{-.003}	14.752 ^{+0.006} / _{+0.000}	16.000 ^{+0.009} / _{+0.000}	14.750 ^{+0.000} / _{-.009}	15.998 ^{+0.000} / _{-.003}	16.000 ^{+0.006} / _{+0.000}	
3/4" C/S											
75003500-B	3-1/2	5	3/4	.825 ^{+0.015} / _{+0.000}	3.500 ^{+0.000} / _{-.004}	3.502 ^{+0.007} / _{+0.000}	5.000 ^{+0.011} / _{+0.000}	3.500 ^{+0.000} / _{-.010}	4.998 ^{+0.000} / _{-.004}	5.000 ^{+0.007} / _{+0.000}	
75004500	4-1/2	6	3/4	.825 ^{+0.015} / _{+0.000}	4.500 ^{+0.000} / _{-.004}	4.502 ^{+0.007} / _{+0.000}	6.000 ^{+0.011} / _{+0.000}	4.500 ^{+0.000} / _{-.010}	5.998 ^{+0.000} / _{-.004}	6.000 ^{+0.007} / _{+0.000}	
75006000	6	7-1/2	3/4	.825 ^{+0.015} / _{+0.000}	6.000 ^{+0.000} / _{-.004}	6.002 ^{+0.007} / _{+0.000}	7.500 ^{+0.011} / _{+0.000}	6.000 ^{+0.000} / _{-.010}	7.498 ^{+0.000} / _{-.004}	7.500 ^{+0.007} / _{+0.000}	
75006500	6-1/2	8	3/4	.825 ^{+0.015} / _{+0.000}	6.500 ^{+0.000} / _{-.004}	6.502 ^{+0.007} / _{+0.000}	8.000 ^{+0.011} / _{+0.000}	6.500 ^{+0.000} / _{-.010}	7.998 ^{+0.000} / _{-.004}	8.000 ^{+0.007} / _{+0.000}	
75007000	7	8-1/2	3/4	.825 ^{+0.015} / _{+0.000}	7.000 ^{+0.000} / _{-.004}	7.002 ^{+0.007} / _{+0.000}	8.500 ^{+0.011} / _{+0.000}	7.000 ^{+0.000} / _{-.010}	8.498 ^{+0.000} / _{-.004}	8.500 ^{+0.007} / _{+0.000}	
75008000	8	9-1/2	3/4	.825 ^{+0.015} / _{+0.000}	8.000 ^{+0.000} / _{-.004}	8.002 ^{+0.007} / _{+0.000}	9.500 ^{+0.011} / _{+0.000}	8.000 ^{+0.000} / _{-.010}	9.498 ^{+0.000} / _{-.004}	9.500 ^{+0.007} / _{+0.000}	
75009500	9-1/2	11	3/4	.825 ^{+0.015} / _{+0.000}	9.500 ^{+0.000} / _{-.004}	9.502 ^{+0.007} / _{+0.000}	11.000 ^{+0.011} / _{+0.000}	9.500 ^{+0.000} / _{-.010}	10.998 ^{+0.000} / _{-.004}	11.000 ^{+0.007} / _{+0.000}	
75010000	10	11-1/2	3/4	.825 ^{+0.015} / _{+0.000}	10.000 ^{+0.000} / _{-.004}	10.002 ^{+0.006} / _{+0.000}	11.500 ^{+0.011} / _{+0.000}	10.000 ^{+0.000} / _{-.010}	11.498 ^{+0.000} / _{-.003}	11.500 ^{+0.007} / _{+0.000}	
75010500	10-1/2	12	3/4	.825 ^{+0.015} / _{+0.000}	10.500 ^{+0.000} / _{-.004}	10.502 ^{+0.006} / _{+0.000}	12.000 ^{+0.011} / _{+0.000}	10.500 ^{+0.000} / _{-.010}	11.998 ^{+0.000} / _{-.003}	12.000 ^{+0.007} / _{+0.000}	
75011000	11	12-1/2	3/4	.825 ^{+0.015} / _{+0.000}	11.000 ^{+0.000} / _{-.004}	11.002 ^{+0.006} / _{+0.000}	12.500 ^{+0.011} / _{+0.000}	11.000 ^{+0.000} / _{-.010}	12.498 ^{+0.000} / _{-.003}	12.500 ^{+0.007} / _{+0.000}	
75012500	12-1/2	14	3/4	.825 ^{+0.015} / _{+0.000}	12.500 ^{+0.000} / _{-.004}	12.502 ^{+0.006} / _{+0.000}	14.000 ^{+0.011} / _{+0.000}	12.500 ^{+0.000} / _{-.010}	13.998 ^{+0.000} / _{-.003}	14.000 ^{+0.007} / _{+0.000}	
75014000	14	15-1/2	3/4	.825 ^{+0.015} / _{+0.000}	14.000 ^{+0.000} / _{-.004}	14.002 ^{+0.006} / _{+0.000}	15.500 ^{+0.011} / _{+0.000}	14.000 ^{+0.000} / _{-.010}	15.498 ^{+0.000} / _{-.003}	15.500 ^{+0.007} / _{+0.000}	
75014500	14-1/2	16	3/4	.825 ^{+0.015} / _{+0.000}	14.500 ^{+0.000} / _{-.004}	14.501 ^{+0.006} / _{+0.000}	16.000 ^{+0.011} / _{+0.000}	14.500 ^{+0.000} / _{-.010}	15.999 ^{+0.000} / _{-.003}	16.000 ^{+0.007} / _{+0.000}	
1" C/S											
100010000	10	12	1	1.100 ^{+0.015} / _{+0.000}	10.000 ^{+0.000} / _{-.005}	10.002 ^{+0.007} / _{+0.000}	12.000 ^{+0.015} / _{+0.000}	10.000 ^{+0.000} / _{-.012}	11.998 ^{+0.000} / _{-.004}	12.000 ^{+0.009} / _{+0.000}	
100012000-1500	12	14	1-1/2	1.650 ^{+0.015} / _{+0.000}	12.000 ^{+0.000} / _{-.005}	12.002 ^{+0.007} / _{+0.000}	14.000 ^{+0.015} / _{+0.000}	12.000 ^{+0.000} / _{-.012}	13.998 ^{+0.000} / _{-.004}	14.000 ^{+0.009} / _{+0.000}	
100016000	16	18	1	1.100 ^{+0.015} / _{+0.000}	16.000 ^{+0.000} / _{-.005}	16.002 ^{+0.007} / _{+0.000}	18.000 ^{+0.015} / _{+0.000}	16.000 ^{+0.000} / _{-.012}	17.998 ^{+0.000} / _{-.004}	18.000 ^{+0.009} / _{+0.000}	
100018000	18	20	1	1.100 ^{+0.015} / _{+0.000}	18.000 ^{+0.000} / _{-.005}	18.002 ^{+0.007} / _{+0.000}	20.000 ^{+0.015} / _{+0.000}	18.000 ^{+0.000} / _{-.012}	19.998 ^{+0.000} / _{-.004}	20.000 ^{+0.009} / _{+0.000}	

POWERPAK



4740 EASTPARK DRIVE
HOUSTON, TX 77028
T. 713-869-8003
F. 713-869-8725