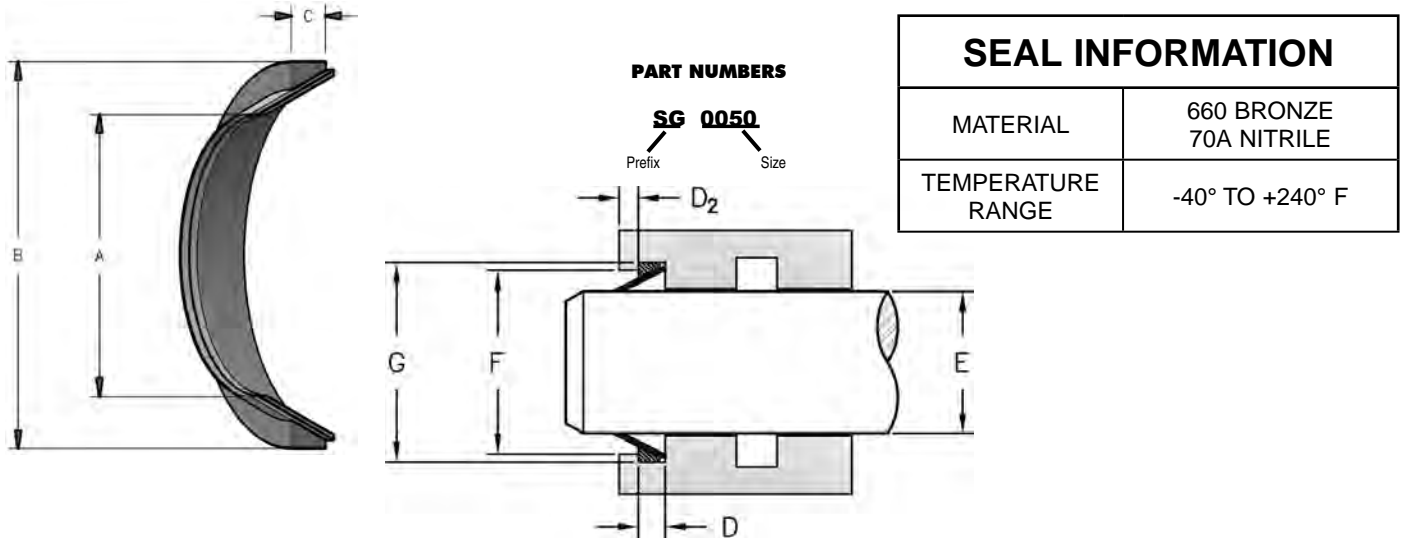


# STYLE SG - "SEAL GUARD" METALLIC ROD WIPERS

Each Seal Guard Wiper consists of two flexible bronze rings which are held in place by a nitrile cushion ring. The cushion ring absorbs side loads and energizes the wiper to maintain close contact with the rod. Particularly suited for hostile environments, seal guard wipers shave off sand, grit, slag, flux, paint, moisture, chips and slivers. Seal Guard Wipers are long-lasting, self-adjusting, and offer low friction.



Part Number	A Nom. ID	B Nom. OD	C Nom. Ht	D GROOVE WIDTH	E ROD DIAMETER	F THROAT DIAMETER	G HOUSING DIAMETER	D <sub>2</sub> OUTER THROAT DEPTH
SG 0050	1/2	3/4	1/8	.124 +.004 +.000	.500 +.001 -.002	.704 +.000 -.010	.747 +.006 +.000	.018 +.015 +.000
SG 0062	5/8	7/8	1/8	.124 +.004 +.000	.625 +.001 -.002	.829 +.000 -.010	.872 +.006 +.000	.018 +.015 +.000
SG 0075	3/4	1-1/8	3/16	.187 +.004 +.000	.750 +.001 -.002	1.072 +.000 -.010	1.122 +.006 +.000	.022 +.015 +.000
SG 0087	7/8	1-1/4	3/16	.187 +.004 +.000	.875 +.001 -.002	1.197 +.000 -.010	1.247 +.006 +.000	.022 +.015 +.000
SG 0100	1	1-3/8	3/16	.187 +.004 +.000	1.000 +.001 -.002	1.322 +.000 -.010	1.372 +.006 +.000	.022 +.015 +.000
SG 0112	1-1/8	1-1/2	3/16	.187 +.004 +.000	1.125 +.001 -.002	1.447 +.000 -.010	1.497 +.006 +.000	.022 +.015 +.000
SG 0125	1-1/4	1-5/8	3/16	.187 +.004 +.000	1.250 +.001 -.002	1.572 +.000 -.010	1.622 +.006 +.000	.022 +.015 +.000
SG 0137	1-3/8	1-3/4	3/16	.187 +.004 +.000	1.375 +.001 -.002	1.697 +.000 -.010	1.747 +.006 +.000	.022 +.015 +.000
SG 0150	1-1/2	1-7/8	3/16	.187 +.004 +.000	1.500 +.001 -.002	1.822 +.000 -.010	1.872 +.006 +.000	.022 +.015 +.000
SG 0162	1-5/8	2	3/16	.187 +.004 +.000	1.625 +.001 -.002	1.947 +.000 -.010	1.997 +.006 +.000	.022 +.015 +.000
SG 0175	1-3/4	2-1/8	3/16	.187 +.004 +.000	1.750 +.001 -.002	2.072 +.000 -.010	2.122 +.006 +.000	.022 +.015 +.000
SG 0200	2	2-1/2	1/4	.249 +.004 +.000	2.000 +.001 -.002	2.430 +.000 -.010	2.497 +.006 +.000	.030 +.015 +.000
SG 0225	2-1/4	2-3/4	1/4	.249 +.004 +.000	2.250 +.001 -.002	2.680 +.000 -.010	2.747 +.006 +.000	.030 +.015 +.000
SG 0250	2-1/2	3	1/4	.249 +.004 +.000	2.500 +.001 -.002	2.930 +.000 -.010	2.997 +.006 +.000	.030 +.015 +.000
SG 0300	3	3-1/2	1/4	.249 +.004 +.000	3.000 +.001 -.002	3.430 +.000 -.010	3.497 +.006 +.000	.030 +.015 +.000
SG 0350	3-1/2	4	1/4	.249 +.004 +.000	3.500 +.001 -.002	3.930 +.000 -.010	3.997 +.006 +.000	.030 +.015 +.000
SG 0400	4	4-1/2	1/4	.249 +.004 +.000	4.000 +.001 -.002	4.430 +.000 -.010	4.497 +.006 +.000	.030 +.015 +.000

WIPER RINGS

