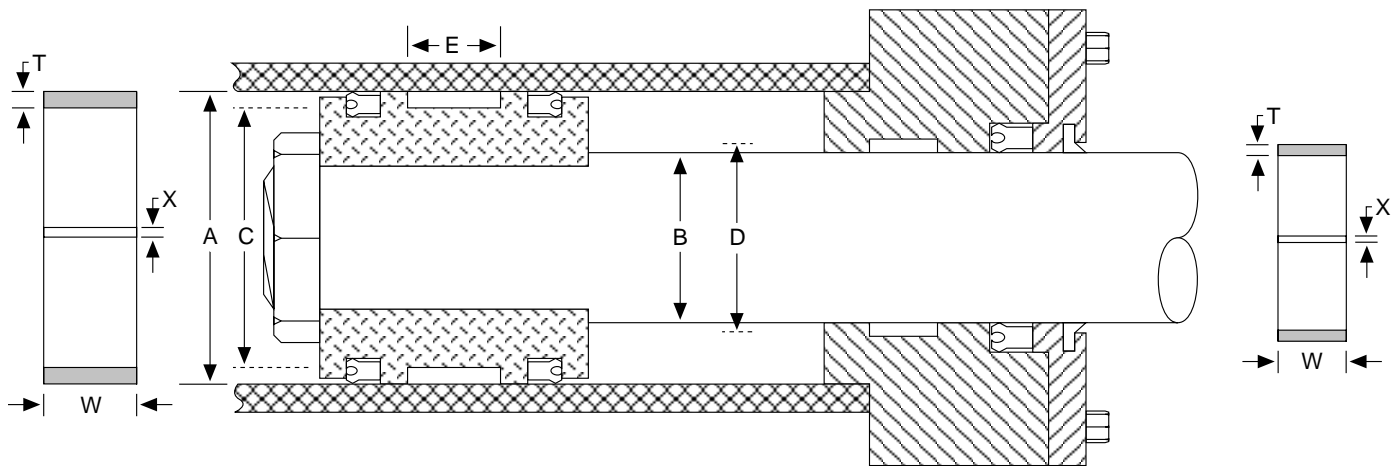


NYLON WEAR RING TECHNICAL INFORMATION



- A - CYLINDER BORE
- B - ROD DIAMETER
- C - MINIMUM BORE "A" MINUS .253/.256
- D - MAXIMUM ROD DIAMETER "B" PLUS .253/.256
- E - GROOVE WIDTH
- T - THICKNESS OF WEAR RING
- W - WIDTH OF WEAR RING
- X - MINIMUM RING GAP

Groove Dimensions For Standard Wear Ring Widths

| 1/2" Width | | | 5/8" Width | | | 3/4" Width | | | 1" Width | | |
|------------|-------|-------|------------|-------|-------|------------|-------|-------|----------|-------|-------|
| E | T | X | E | T | X | E | T | X | E | T | X |
| .515" | .125" | 1/16" | .640" | .125" | 1/16" | .765" | .125" | 1/16" | 1.015" | .125" | 1/16" |
| .510" | .122" | | .635" | .122" | | .760" | .122" | | 1.010" | .122" | |

Cut Down Factors For Standard Wear Rings

In many cases an oversized nylon wear ring can be cut down to fit a smaller groove without a loss of concentricity. Use the following guide when cutting down wear rings.

| Wear Ring OD | Maximum amount to be Cut Down |
|--------------------|-------------------------------|
| 4" OD | 3/8" of circumference |
| 4-1/2" - 6-1/2" OD | 1/2" |
| 7" -9" OD | 1" |
| 9-1/2" - 14" OD | 1-1/2" |

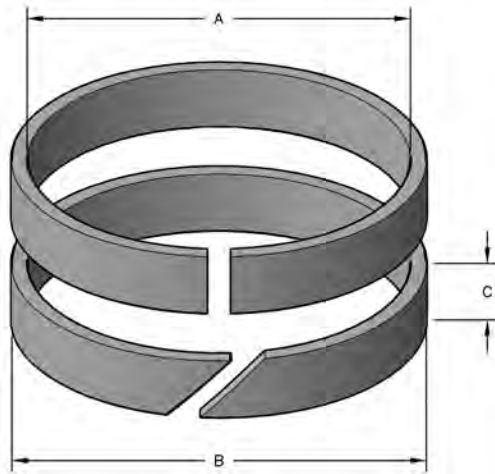
Flexible Guide Bearing Cut To Fit Formula

Use the following formula when cutting flexible guide bearing to fit a specific application.

| For Piston Bearings | For Rod Bearings |
|---|--|
| Bearing Length = (Bore - C.S.) x 3.14 - Gap | Bearing Length = (Rod + C.S.) x 3.14 - Gap |

STYLE 600 NYLON WEAR RINGS

NOTE: "SC" suffix designates a Scarf Cut wear ring.
 "SL" suffix designates a Slotted OD.
 "ST" suffix designates a Step Cut wear ring.
 "P" suffix designates a Precision Tolerance.



PART NUMBERS
WR 606 - 087 - 050
 Prefix Outside Diameter Height

| SEAL INFORMATION | |
|----------------------|-----------------|
| TEMPERATURE RANGE | -40° TO +275° F |
| TENSILE STRENGTH | 25,000 PSI |
| COMPRESSIVE STRENGTH | 26,000 PSI |

| Part Number | A Nom. ID | B Nom. OD | C Nom. Ht | |
|-------------------|--------------|--------------|--------------|--|
| 1/16" C/S | | | | |
| WR 606-087-050 | 3/4 | 7/8 | 1/2 | |
| WR 606-112-037 | 1 | 1-1/8 | 3/8 | |
| WR 606-112-037-SC | 1 | 1-1/8 | 3/8 | |
| WR 606-112-050 | 1 | 1-1/8 | 1/2 | |
| WR 606-125-018 | 1-1/8 | 1-1/4 | 3/16 | |
| WR 606-125-050 | 1-1/8 | 1-1/4 | 1/2 | |
| WR 606-125-050-SC | 1-1/8 | 1-1/4 | 1/2 | |
| WR 606-125-075-SC | 1-1/8 | 1-1/4 | 3/4 | |
| WR 606-125-100 | 1-1/8 | 1-1/4 | .99 | |
| WR 606-137-050 | 1-1/4 | 1-3/8 | 1/2 | |
| WR 606-150-031-SC | 1-3/8 | 1-1/2 | 5/16 | |
| WR 606-150-037-SC | 1-3/8 | 1-1/2 | 3/8 | |
| WR 606-150-062 | 1-3/8 | 1-1/2 | 5/8 | |
| WR 606-162-082 | 1-1/2 | 1-5/8 | .82 | |
| WR 606-162-098-SC | 1-1/2 | 1-5/8 | 63/64 | |
| WR 606-162-125 | 1-1/2 | 1-5/8 | 1-1/4 | |
| WR 606-187-082 | 1-3/4 | 1-7/8 | .82 | |
| WR 606-187-098-SC | 1-3/4 | 1-7/8 | 63/64 | |
| WR 606-200-025-SC | 1-7/8 | 2 | 1/4 | |
| WR 606-200-031-SC | 1-7/8 | 2 | 5/16 | |
| WR 606-200-072-SC | 1-7/8 | 2 | 23/32 | |
| WR 606-200-098-SC | 1-7/8 | 2 | 63/64 | |
| WR 606-212-072-SC | 2 | 2-1/8 | 23/32 | |
| WR 606-212-098-SC | 2 | 2-1/8 | .975 | |
| WR 606-212-125 | 2 | 2-1/8 | 1-1/4 | |
| WR 606-225-036 | 2-1/8 | 2-1/4 | 23/64 | |
| WR 606-225-072-SC | 2-1/8 | 2-1/4 | 23/32 | |
| WR 606-225-098-SC | 2-1/8 | 2-1/4 | 63/64 | |
| WR 606-225-100 | 2-1/8 | 2-1/4 | 1 | |
| WR 606-237-098-SC | 2-1/4 | 2-3/8 | .975 | |
| WR 606-237-100 | 2-1/4 | 2-3/8 | 1 | |
| WR 606-237-118 | 2-1/4 | 2-3/8 | 1-3/16 | |
| WR 606-250-031-SC | 2-3/8 | 2-1/2 | 5/16 | |
| WR 606-250-037 | 2-3/8 | 2-1/2 | 3/8 | |
| WR 606-250-050 | 2-3/8 | 2-1/2 | 1/2 | |
| WR 606-250-126-SC | 2-3/8 | 2-1/2 | 1.26 | |

| Part Number | A Nom. ID | B Nom. OD | C Nom. Ht | |
|-------------------|--------------|--------------|--------------|--|
| WR 606-262-072-SC | 2-1/2 | 2-5/8 | .725 | |
| WR 606-262-098-SC | 2-1/2 | 2-5/8 | 63/64 | |
| WR 606-262-124-SC | 2-1/2 | 2-5/8 | 1.24 | |
| WR 606-262-168 | 2-1/2 | 2-5/8 | 1-11/16 | |
| WR 606-275-050 | 2-5/8 | 2-3/4 | 1/2 | |
| WR 606-275-098-SC | 2-5/8 | 2-3/4 | 63/64 | |
| WR 606-275-100 | 2-5/8 | 2-3/4 | 1 | |
| WR 606-287-098-SC | 2-3/4 | 2-7/8 | .978 | |
| WR 606-287-100-SC | 2-3/4 | 2-7/8 | 1 | |
| WR 606-287-126-SC | 2-3/4 | 2-7/8 | 1.26 | |
| WR 606-287-157-SC | 2-3/4 | 2-7/8 | 1-9/16 | |
| WR 606-287-181 | 2-3/4 | 2-7/8 | 1-13/16 | |
| WR 606-312-098-SC | 3 | 3-1/8 | 63/64 | |
| WR 606-312-124 | 3 | 3-1/8 | 1.24 | |
| WR 606-312-148-SC | 3 | 3-1/8 | 1.48 | |
| WR 606-312-156 | 3 | 3-1/8 | 1-9/16 | |
| WR 606-312-165-SC | 3 | 3-1/8 | 1.65 | |
| WR 606-325-031-SC | 3-1/8 | 3-1/4 | 5/16 | |
| WR 606-325-050 | 3-1/8 | 3-1/4 | 1/2 | |
| WR 606-337-174 | 3-1/4 | 3-3/8 | 1.74 | |
| WR 606-337-187 | 3-1/4 | 3-3/8 | 1-7/8 | |
| WR 606-362-105 | 3-1/2 | 3-5/8 | 1.05 | |
| WR 606-362-188-SC | 3-1/2 | 3-5/8 | 1-7/8 | |
| WR 606-387-157 | 3-3/4 | 3-7/8 | 1.57 | |
| WR 606-400-031-SC | 3-7/8 | 4 | 5/16 | |
| WR 606-500-043-SC | 4-7/8 | 5 | 7/16 | |
| WR 606-600-043-SC | 5-7/8 | 6 | 7/16 | |
| WR 606-800-050-SC | 7-7/8 | 8 | 1/2 | |
| 5/64" C/S | | | | |
| WR 608-115-050 | 1 | 1-5/32 | 1/2 | |
| WR 608-125-050 | 1-3/32 | 1-1/4 | 1/2 | |
| WR 608-140-075 | 1-1/4 | 1.406 | 3/4 | |
| WR 608-152-075 | 1-3/8 | 1-17/32 | 3/4 | |
| WR 608-154-075 | 1-3/8 | 1-17/32 | 3/4 | |
| WR 608-166-050 | 1-1/2 | 1-21/32 | 1/2 | |
| WR 608-166-062 | 1-1/2 | 1-21/32 | 5/8 | |
| WR 608-166-075 | 1-1/2 | 1-21/32 | 3/4 | |

WEAR RINGS



STYLE 600 NYLON WEAR RINGS

| Part Number | A Nom. ID | B Nom. OD | C Nom. Ht | |
|---------------------|-----------|-----------|-----------|--|
| WR 608-216-098 | 2 | 2-5/32 | .979 | |
| 3/32" C/S | | | | |
| WR 609-125-018 | 1-1/16 | 1-1/4 | 3/16 | |
| WR 609-125-037 | 1-1/16 | 1-1/4 | 3/8 | |
| WR 609-150-018 | 1-5/16 | 1-1/2 | 3/16 | |
| WR 609-150-037 | 1-5/16 | 1-1/2 | 3/8 | |
| WR 609-200-019 | 1-13/16 | 2 | 3/16 | |
| WR 609-200-037 | 1-13/16 | 2 | 3/8 | |
| WR 609-218-037 | 2 | 2-3/16 | 3/8 | |
| WR 609-250-037 | 2-5/16 | 2-1/2 | 3/8 | |
| WR 609-255-150 | 2-23/64 | 2-35/64 | 1-1/2 | |
| WR 609-285-100 | 2.663 | 2.85 | 1 | |
| WR 609-300-022 | 2-13/16 | 3 | 7/32 | |
| WR 609-325-037 | 3-1/16 | 3-1/4 | 3/8 | |
| WR 609-331-062 | 3-1/8 | 3-5/16 | 5/8 | |
| WR 609-350-021 | 3-5/16 | 3-1/2 | .212 | |
| WR 609-350-037-SC | 3-5/16 | 3-1/2 | 3/8 | |
| WR 609-350-050 | 3-5/16 | 3-1/2 | 1/2 | |
| WR 609-362-022 | 3-7/16 | 3-5/8 | 7/32 | |
| WR 609-393-022 | 3-3/4 | 3-15/16 | 7/32 | |
| WR 609-400-037 | 3-13/16 | 4 | 3/8 | |
| WR 609-500-050 | 4-13/16 | 5 | 1/2 | |
| WR 609-600-050 | 5-13/16 | 6 | 1/2 | |
| .098" C/S | | | | |
| WR 609R-369-050P-SC | 3-1/2 | 3.696 | 1/2 | |
| WR 609R-419-075P-SC | 4 | 4.196 | 3/4 | |
| WR 609P-600-050P-SC | 5.804 | 6 | 1/2 | |
| WR 609P-650-075P-SC | 6.304 | 6-1/2 | 3/4 | |
| WR 609P-700-075P-SC | 6.804 | 7 | 3/4 | |
| .1" C/S | | | | |
| WR 610-270-228 | 2-1/2 | 2.7 | 2.28 | |
| WR 610-295-196 | 2-3/4 | 2.95 | 1.96 | |
| WR 610-300-099-SC | 2.8 | 3 | .99 | |
| WR 610-320-117-SC | 3 | 3.2 | 1.17 | |
| WR 610-325-112 | 3.05 | 3-1/4 | 1-1/8 | |
| WR 610-345-162-SC | 3-1/4 | 3.45 | 1-5/8 | |
| WR 610-345-196 | 3-1/4 | 3.45 | 1.96 | |
| WR 610-345-274-SC | 3-1/4 | 3.45 | 2.74 | |
| WR 610-370-075-SC | 3-1/2 | 3.7 | 3/4 | |
| WR 610-370-176 | 3-1/2 | 3.7 | 1.76 | |
| WR 610-370-188-SC | 3-1/2 | 3.7 | 1-7/8 | |
| WR 610-370-236-SC | 3-1/2 | 3.7 | 2.36 | |
| WR 610-395-243 | 3-3/4 | 3.95 | 2-7/16 | |
| WR 610-420-156-SC | 4 | 4.2 | 1-9/16 | |
| WR 610-420-255 | 4 | 4.2 | 2.55 | |
| WR 610-445-237 | 4-1/4 | 4.45 | 2-3/8 | |
| WR 610-470-196-SC | 4-1/2 | 4.7 | 1.96 | |
| WR 610-495-196-SC | 4-3/4 | 4.95 | 1.96 | |
| WR 610-518-300-SC | 4.9875 | 5-3/16 | 3 | |
| WR 610-520-250 | 5 | 5.2 | 2-1/2 | |
| WR 610-595-361 | 5-3/4 | 5.95 | 3.6125 | |
| WR 610-620-196-SC | 6 | 6.2 | 1.96 | |
| WR 610-670-226-SC | 6-1/2 | 6.7 | 2.262 | |
| WR 610-720-235-SC | 7 | 7.2 | 2.35 | |
| WR 610-720-314 | 7 | 7.2 | 3.14 | |
| WR 610-745-235-SC | 7-1/4 | 7.45 | 2.35 | |
| WR 610-770-313-SC | 7-1/2 | 7.698 | 3.13 | |

| Part Number | A Nom. ID | B Nom. OD | C Nom. Ht | |
|--------------------|-----------|-----------|-----------|--|
| WR 610-820-295-SC | 8 | 8.2 | 2.95 | |
| 1/8" C/S | | | | |
| WR 612-100-037 | 3/4 | 1 | 3/8 | |
| WR 612-100-087-SC | 3/4 | 1 | 7/8 | |
| WR 612-112-037 | 7/8 | 1-1/8 | 3/8 | |
| WR 612-125-037 | 1 | 1-1/4 | 3/8 | |
| WR 612-125-050 | 1 | 1-1/4 | 1/2 | |
| WR 612-137-050 | 1-1/8 | 1-3/8 | 1/2 | |
| WR 612-150-025 | 1-1/4 | 1-1/2 | 1/4 | |
| WR 612-150-037 | 1-1/4 | 1-1/2 | 3/8 | |
| WR 612-150-050-SC | 1-1/4 | 1-1/2 | 1/2 | |
| WR 612-150-062 | 1-1/4 | 1-1/2 | 5/8 | |
| WR 612-150-100 | 1-1/4 | 1-1/2 | 1 | |
| WR 612-162-037 | 1-3/8 | 1-5/8 | 3/8 | |
| WR 612-162-050 | 1-3/8 | 1-5/8 | 1/2 | |
| WR 612-175-025 | 1-1/2 | 1-3/4 | 1/4 | |
| WR 612-175-037 | 1-1/2 | 1-3/4 | 3/8 | |
| WR 612-175-050 | 1-1/2 | 1-3/4 | 1/2 | |
| WR 612-175-075 | 1-1/2 | 1-3/4 | 3/4 | |
| WR 612-175-100 | 1-1/2 | 1-3/4 | 1 | |
| WR 612-187-050 | 1-5/8 | 1-7/8 | 1/2 | |
| WR 612-187-075 | 1-5/8 | 1-7/8 | 3/4 | |
| WR 612-200-016 | 1-3/4 | 2 | .16 | |
| WR 612-200-025-SC | 1-3/4 | 2 | 1/4 | |
| WR 612-200-037-SC | 1-3/4 | 2 | 3/8 | |
| WR 612-200-050-SC | 1-3/4 | 2 | 1/2 | |
| WR 612-200-050-ST | 1-3/4 | 2 | 1/2 | |
| WR 612R-200-050P | 1-3/4 | 2 | 1/2 | |
| WR 612-200-062 | 1-3/4 | 2 | 5/8 | |
| WR 612-200-075 | 1-3/4 | 2 | 3/4 | |
| WR 612-200-100 | 1-3/4 | 2 | 1 | |
| WR 612-200-100P-SC | 1-3/4 | 2 | 1 | |
| WR 612-200-150 | 1-3/4 | 2 | 1-1/2 | |
| WR 612-212-037 | 1-7/8 | 2-1/8 | 3/8 | |
| WR 612-212-050 | 1-7/8 | 2-1/8 | 1/2 | |
| WR 612-212-075 | 1-7/8 | 2-1/8 | 3/4 | |
| WR 612-218-026 | 1.937 | 2.187 | .26 | |
| WR 612-218-050 | 1.937 | 2.187 | 1/2 | |
| WR 612-225-025 | 2 | 2-1/4 | 1/4 | |
| WR 612-225-031 | 2 | 2-1/4 | 5/16 | |
| WR 612-225-037 | 2 | 2-1/4 | 3/8 | |
| WR 612-225-050 | 2 | 2-1/4 | 1/2 | |
| WR 612-225-050-SC | 2 | 2-1/4 | 1/2 | |
| WR 612-225-062 | 2 | 2-1/4 | 5/8 | |
| WR 612-225-075 | 2 | 2-1/4 | 3/4 | |
| WR 612-225-075-SC | 2 | 2-1/4 | 3/4 | |
| WR 612-225-087-SC | 2 | 2-1/4 | 7/8 | |
| WR 612-225-100 | 2 | 2-1/4 | 1 | |
| WR 612-225-100-SC | 2 | 2-1/4 | 1 | |
| WR 612-250-100P | 2 | 2-1/4 | 1 | |
| WR 612-225-125P | 2 | 2-1/4 | 1-1/4 | |
| WR 612-237-025 | 2-1/8 | 2-3/8 | 1/4 | |
| WR 612-237-050 | 2-1/8 | 2-3/8 | 1/2 | |
| WR 612-237-075 | 2-1/8 | 2-3/8 | 3/4 | |
| WR 612-250-016P | 2-1/4 | 2-1/2 | .16 | |
| WR 612-250-018 | 2-1/4 | 2-1/2 | 3/16 | |
| WR 612-250-025 | 2-1/4 | 2-1/2 | 1/4 | |

WEAR RINGS



STYLE 600 NYLON WEAR RINGS

| Part Number | A Nom. ID | B Nom. OD | C Nom. Ht | |
|--------------------|-----------|-----------|-----------|--|
| WR 612-250-031 | 2-1/4 | 2-1/2 | 5/16 | |
| WR 612-250-037-SC | 2-1/4 | 2-1/2 | 3/8 | |
| WR 612-250-050-SC | 2-1/4 | 2-1/2 | 1/2 | |
| WR 612-250-050-ST | 2-1/4 | 2-1/2 | 1/2 | |
| WR 612-250-062 | 2-1/4 | 2-1/2 | 5/8 | |
| WR 612-250-074-SC | 2-1/4 | 2-1/2 | .74 | |
| WR 612-250-075 | 2-1/4 | 2-1/2 | 3/4 | |
| WR 612-250-087 | 2-1/4 | 2-1/2 | 7/8 | |
| WR 612-250-100 | 2-1/4 | 2-1/2 | 1 | |
| WR 612-250-100-ST | 2-1/4 | 2-1/2 | 1 | |
| WR 612-262-050 | 2-3/8 | 2-5/8 | 1/2 | |
| WR 612-262-062 | 2-3/8 | 2-5/8 | 5/8 | |
| WR 612-262-075 | 2-3/8 | 2-5/8 | 3/4 | |
| WR 612-262-100 | 2-3/8 | 2-5/8 | 1 | |
| WR 612-275-025 | 2-1/2 | 2-3/4 | 1/4 | |
| WR 612-275-031 | 2-1/2 | 2-3/4 | 5/16 | |
| WR 612-275-031P | 2-1/2 | 2-3/4 | 5/16 | |
| WR 612-275-037-SC | 2-1/2 | 2-3/4 | 3/8 | |
| WR 612-275-050-SC | 2-1/2 | 2-3/4 | 1/2 | |
| WR 612-275-062 | 2-1/2 | 2-3/4 | 5/8 | |
| WR 612-275-062-SC | 2-1/2 | 2-3/4 | 5/8 | |
| WR 612-275-075 | 2-1/2 | 2-3/4 | 3/4 | |
| WR 612-275-093-SC | 2-1/2 | 2-3/4 | 15/16 | |
| WR 612-275-100 | 2-1/2 | 2-3/4 | 1 | |
| WR 612-275-100-ST | 2-1/2 | 2-3/4 | 1 | |
| WR 612-275-100P-SC | 2-1/2 | 2-3/4 | 1 | |
| WR 612-275-150 | 2-1/2 | 2-3/4 | 1-1/2 | |
| WR 612-275-150P | 2-1/2 | 2-3/4 | 1-1/2 | |
| WR 612-275-200P-SC | 2-1/2 | 2-3/4 | 2 | |
| WR 612-287-050 | 2-5/8 | 2-7/8 | 1/2 | |
| WR 612-287-075 | 2-5/8 | 2-7/8 | 3/4 | |
| WR 612-287-087 | 2-5/8 | 2-7/8 | 7/8 | |
| WR 612-287-100 | 2-5/8 | 2-7/8 | 1 | |
| WR 612-300-016P | 2-3/4 | 3 | .16 | |
| WR 612-300-025 | 2-3/4 | 3 | 1/4 | |
| WR 612-300-031 | 2-3/4 | 3 | 5/16 | |
| WR 612-300-037-SC | 2-3/4 | 3 | 3/8 | |
| WR 612-300-050-SC | 2-3/4 | 3 | 1/2 | |
| WR 612-300-050-ST | 2-3/4 | 3 | 1/2 | |
| WR 612-300-050P | 2-3/4 | 3 | 1/2 | |
| WR 612-300-050P-SC | 2-3/4 | 3 | 1/2 | |
| WR 612-300-062 | 2-3/4 | 3 | 5/8 | |
| WR 612-300-075-SC | 2-3/4 | 3 | 3/4 | |
| WR 612-300-075-SL | 2-3/4 | 3 | 3/4 | |
| WR 612-300-099-SC | 2-3/4 | 3 | 63/64 | |
| WR 612-300-100-SC | 2-3/4 | 3 | 1 | |
| WR 612-300-124-SC | 2-3/4 | 3 | 1.24 | |
| WR 612-306-025 | 2.812 | 3.062 | 1/4 | |
| WR 612-312-050 | 2-7/8 | 3-1/8 | 1/2 | |
| WR 612-312-100 | 2-7/8 | 3-1/8 | 1 | |
| WR 612-325-025 | 3 | 3-1/4 | 1/4 | |
| WR 612-325-031 | 3 | 3-1/4 | 5/16 | |
| WR 612-325-037-SC | 3 | 3-1/4 | 3/8 | |
| WR 612-325-050-SC | 3 | 3-1/4 | 1/2 | |
| WR 612-325-062 | 3 | 3-1/4 | 5/8 | |

| Part Number | A Nom. ID | B Nom. OD | C Nom. Ht | |
|--------------------|-----------|-----------|-----------|--|
| WR 612-325-075-SC | 3 | 3-1/4 | 3/4 | |
| WR 612-325-100 | 3 | 3-1/4 | 1 | |
| WR 612-325-100-SC | 3 | 3-1/4 | 1 | |
| WR 612-325-111 | 3 | 3-1/4 | 1-7/64 | |
| WR 612-325-125 | 3 | 3-1/4 | 1-1/4 | |
| WR 612-325-150-ST | 3 | 3-1/4 | 1-1/2 | |
| WR 612-325-150P | 3 | 3-1/4 | 1-1/2 | |
| WR 612-325-155 | 3 | 3-1/4 | 1.55 | |
| WR 612-325-162-SC | 3 | 3-1/4 | 1-5/8 | |
| WR 612-325-200 | 3 | 3-1/4 | 2 | |
| WR 612-325-200P-SC | 3 | 3-1/4 | 2 | |
| WR 612-325-212-SC | 3 | 3-1/4 | 2-1/8 | |
| WR 612-337-075 | 3-1/8 | 3-3/8 | 3/4 | |
| WR 612-350-016P | 3-1/4 | 3-1/2 | .16 | |
| WR 612-350-025 | 3-1/4 | 3-1/2 | 1/4 | |
| WR 612-350-037-SC | 3-1/4 | 3-1/2 | 3/8 | |
| WR 612-350-043 | 3-1/4 | 3-1/2 | 7/16 | |
| WR 612-350-050-SC | 3-1/4 | 3-1/2 | 1/2 | |
| WR 612-350-062 | 3-1/4 | 3-1/2 | 5/8 | |
| WR 612-350-062-ST | 3-1/4 | 3-1/2 | 5/8 | |
| WR 612-350-075 | 3-1/4 | 3-1/2 | 3/4 | |
| WR 612-350-075P | 3-1/4 | 3-1/2 | 3/4 | |
| WR 612-350-087 | 3-1/4 | 3-1/2 | 7/8 | |
| WR 612-350-100-SC | 3-1/4 | 3-1/2 | 1 | |
| WR 612-350-100-SL | 3-1/4 | 3-1/2 | 1 | |
| WR 612-350-100-ST | 3-1/4 | 3-1/2 | 1 | |
| WR 612-350-112-SC | 3-1/4 | 3-1/2 | 1-1/8 | |
| WR 612-350-150 | 3-1/4 | 3-1/2 | 1-1/2 | |
| WR 612-362-050 | 3-3/8 | 3-5/8 | 1/2 | |
| WR 612-362-062 | 3-3/8 | 3-5/8 | 5/8 | |
| WR 612-362-075 | 3-3/8 | 3-5/8 | 3/4 | |
| WR 612-362-100 | 3-3/8 | 3-5/8 | 1 | |
| WR 612-375-037-SC | 3-1/2 | 3-3/4 | 3/8 | |
| WR 612-375-050-SC | 3-1/2 | 3-3/4 | 1/2 | |
| WR 612-375-050-ST | 3-1/2 | 3-3/4 | 1/2 | |
| WR 612-375-050P-SC | 3-1/2 | 3-3/4 | 1/2 | |
| WR 612-375-062 | 3-1/2 | 3-3/4 | 5/8 | |
| WR 612-375-075 | 3-1/2 | 3-3/4 | 3/4 | |
| WR 612-375-100-SC | 3-1/2 | 3-3/4 | 1 | |
| WR 612-375-100P-SC | 3-1/2 | 3-3/4 | 1 | |
| WR 612-375-124-SC | 3-1/2 | 3-3/4 | 1.24 | |
| WR 612-375-125 | 3-1/2 | 3-3/4 | 1-1/4 | |
| WR 612-375-149 | 3-1/2 | 3-3/4 | 1.49 | |
| WR 612-375-199 | 3-1/2 | 3-3/4 | 1.99 | |
| WR 612-387-025 | 3-5/8 | 3-7/8 | 1/4 | |
| WR 612-387-100 | 3-5/8 | 3-7/8 | 1 | |
| WR 612-387-100-SC | 3-5/8 | 3-7/8 | 1 | |
| WR 612-400-031 | 3-3/4 | 4 | 5/16 | |
| WR 612-400-037-SC | 3-3/4 | 4 | 3/8 | |
| WR 612-400-050-SC | 3-3/4 | 4 | 1/2 | |
| WR 612-400-050-ST | 3-3/4 | 4 | 1/2 | |
| WR 612-400-062 | 3-3/4 | 4 | 5/8 | |
| WR 612-400-062-ST | 3-3/4 | 4 | 5/8 | |
| WR 612-400-070 | 3-3/4 | 4 | .7 | |
| WR 612-400-075-SC | 3-3/4 | 4 | 3/4 | |
| WR 612-400-087 | 3-3/4 | 4 | 7/8 | |
| WR 612-400-099-SC | 3-3/4 | 4 | .99 | |
| WR 612-400-100 | 3-3/4 | 4 | 1 | |

WEAR RINGS



STYLE 600 NYLON WEAR RINGS

| Part Number | A Nom. ID | B Nom. OD | C Nom. Ht | |
|--------------------|-----------|-----------|-----------|--|
| WR 612-400-100-SL | 3-3/4 | 4 | 1 | |
| WR 612-400-100P-SC | 3-3/4 | 4 | 1 | |
| WR 612-400-124-SC | 3-3/4 | 4 | 1.24 | |
| WR 612-400-125 | 3-3/4 | 4 | 1-1/4 | |
| WR 612-400-150 | 3-3/4 | 4 | 1-1/2 | |
| WR 612-412-042 | 3-7/8 | 4-1/8 | .42 | |
| WR 612-412-100 | 3-7/8 | 4-1/8 | 1 | |
| WR 612-425-025 | 4 | 4-1/4 | 1/4 | |
| WR 612-425-037 | 4 | 4-1/4 | 3/8 | |
| WR 612-425-050-SC | 4 | 4-1/4 | 1/2 | |
| WR 612-425-062 | 4 | 4-1/4 | 5/8 | |
| WR 612-425-075-SC | 4 | 4-1/4 | 3/4 | |
| WR 612-425-087P | 4 | 4-1/4 | 7/8 | |
| WR 612-425-099-SC | 4 | 4-1/4 | .99 | |
| WR 612-425-100-SC | 4 | 4-1/4 | 1 | |
| WR 612-425-100P | 4 | 4-1/4 | 1 | |
| WR 612-425-124-SC | 4 | 4-1/4 | 1.24 | |
| WR 612-425-125 | 4 | 4-1/4 | 1-1/4 | |
| WR 612-425-125-SC | 4 | 4-1/4 | 1-1/4 | |
| WR 612-425-149-SC | 4 | 4-1/4 | 1.49 | |
| WR 612-425-150P | 4 | 4-1/4 | 1-1/2 | |
| WR 612-425-350 | 4 | 4-1/4 | 3-1/2 | |
| WR 612-426-249-SC | 4.01 | 4.26 | 2-31/64 | |
| WR 612-437-050-SC | 4-1/8 | 4-3/8 | 1/2 | |
| WR 612-440-062 | 4.15 | 4.4 | 5/8 | |
| WR 612-450-037-SC | 4-1/4 | 4-1/2 | 3/8 | |
| WR 612-450-050-SC | 4-1/4 | 4-1/2 | 1/2 | |
| WR 612-450-050P | 4-1/4 | 4-1/2 | 1/2 | |
| WR 612-450-062 | 4-1/4 | 4-1/2 | 5/8 | |
| WR 612-450-075 | 4-1/4 | 4-1/2 | 3/4 | |
| WR 612-450-075-SC | 4-1/4 | 4-1/2 | 3/4 | |
| WR 612-450-087 | 4-1/4 | 4-1/2 | 7/8 | |
| WR 612-450-099-SC | 4-1/4 | 4-1/2 | 63/64 | |
| WR 612-450-100-SC | 4-1/4 | 4-1/2 | 1 | |
| WR 612-450-100-SL | 4-1/4 | 4-1/2 | 1 | |
| WR 612-450-093-SC | 4-1/4 | 4-1/2 | 15/16 | |
| WR 612-450-149-SC | 4-1/4 | 4-1/2 | 1.49 | |
| WR 612-450-150 | 4-1/4 | 4-1/2 | 1-1/2 | |
| WR 612-450-186 | 4-1/4 | 4-1/2 | 1-55/64 | |
| WR 612-450-236 | 4-1/4 | 4-1/2 | 2-23/64 | |
| WR 612-450-350 | 4-1/4 | 4-1/2 | 3-1/2 | |
| WR 612-475-050 | 4-1/2 | 4-3/4 | 1/2 | |
| WR 612-475-075-SC | 4-1/2 | 4-3/4 | 3/4 | |
| WR 612-475-099-SC | 4-1/2 | 4-3/4 | 63/64 | |
| WR 612-475-100-SC | 4-1/2 | 4-3/4 | 1 | |
| WR 612-475-124-SC | 4-1/2 | 4-3/4 | 1.24 | |
| WR 612-475-125-SC | 4-1/2 | 4-3/4 | 1-1/4 | |
| WR 612-475-150 | 4-1/2 | 4-3/4 | 1-1/2 | |
| WR 612-475-156 | 4-1/2 | 4-3/4 | 1-9/16 | |
| WR 612-475-164-SC | 4-1/2 | 4-3/4 | 1.645 | |
| WR 612-475-199 | 4-1/2 | 4-3/4 | 1.99 | |
| WR 612-475-200 | 4-1/2 | 4-3/4 | 2 | |
| WR 612-475-350 | 4-1/2 | 4-3/4 | 3-1/2 | |
| WR 612-487-075 | 4-5/8 | 4-7/8 | 3/4 | |
| WR 612-500-037 | 4-3/4 | 5 | 3/8 | |
| WR 612-500-050-SC | 4-3/4 | 5 | 1/2 | |
| WR 612-500-062 | 4-3/4 | 5 | .622 | |
| WR 612-500-075-SC | 4-3/4 | 5 | 3/4 | |

| Part Number | A Nom. ID | B Nom. OD | C Nom. Ht | |
|--------------------|-----------|-----------|-----------|--|
| WR 612-500-100-SC | 4-3/4 | 5 | 1 | |
| WR 612-500-111-SC | 4-3/4 | 5 | 1-7/64 | |
| WR 612-500-112 | 4-3/4 | 5 | 1-1/8 | |
| WR 612-500-124 | 4-3/4 | 5 | 1.24 | |
| WR 612-500-155-SC | 4-3/4 | 5 | 1.545 | |
| WR 612-500-175 | 4-3/4 | 5 | 1-3/4 | |
| WR 612-512-156 | 4-7/8 | 5-1/8 | 1-9/16 | |
| WR 612-512-156-SC | 4-7/8 | 5-1/8 | 1-9/16 | |
| WR 612-525-050 | 5 | 5-1/4 | 1/2 | |
| WR 612-525-062 | 5 | 5-1/4 | 5/8 | |
| WR 612-525-075-SC | 5 | 5-1/4 | 3/4 | |
| WR 612-525-100 | 5 | 5-1/4 | 1 | |
| WR 612-525-102-SC | 5 | 5-1/4 | 1-1/64 | |
| WR 612-525-125 | 5 | 5-1/4 | 1-1/4 | |
| WR 612-525-125-SC | 5 | 5-1/4 | 1-1/4 | |
| WR 612-525-149 | 5 | 5-1/4 | 1.49 | |
| WR 612-525-200P-SC | 5 | 5-1/4 | 2 | |
| WR 612-525-361-SC | 5 | 5-1/4 | 3.6125 | |
| WR 612-537-100-SC | 5-1/8 | 5-3/8 | 1 | |
| WR 612-550-025 | 5-1/4 | 5-1/2 | 1/4 | |
| WR 612-550-037 | 5-1/4 | 5-1/2 | 3/8 | |
| WR 612-550-050-SC | 5-1/4 | 5-1/2 | 1/2 | |
| WR 612-550-050-ST | 5-1/4 | 5-1/2 | 1/2 | |
| WR 612-550-050P | 5-1/4 | 5-1/2 | 1/2 | |
| WR 612-550-062 | 5-1/4 | 5-1/2 | 5/8 | |
| WR 612-550-075-SC | 5-1/4 | 5-1/2 | 3/4 | |
| WR 612-550-100-SC | 5-1/4 | 5-1/2 | 1 | |
| WR 612-550-125 | 5-1/4 | 5-1/2 | 1-1/4 | |
| WR 612-550-137 | 5-1/4 | 5-1/2 | 1-3/8 | |
| WR 612-550-161 | 5-1/4 | 5-1/2 | 1-39/64 | |
| WR 612-550-175-SC | 5-1/4 | 5-1/2 | 1.74 | |
| WR 612-550-199 | 5-1/4 | 5-1/2 | 1.99 | |
| WR 612-550-224-SC | 5-1/4 | 5-1/2 | 2-15/64 | |
| WR 612-575-050-SC | 5-1/2 | 5-3/4 | 1/2 | |
| WR 612-575-062 | 5-1/2 | 5-3/4 | 5/8 | |
| WR 612-575-075 | 5-1/2 | 5-3/4 | 3/4 | |
| WR 612-575-100-SC | 5-1/2 | 5-3/4 | 1 | |
| WR 612-575-150 | 5-1/2 | 5-3/4 | 1-1/2 | |
| WR 612-575-161-SC | 5-1/2 | 5-3/4 | 1-39/64 | |
| WR 612-575-175 | 5-1/2 | 5-3/4 | 1-3/4 | |
| WR 612-575-199 | 5-1/2 | 5-3/4 | 1.99 | |
| WR 612-575-236 | 5-1/2 | 5-3/4 | 2.368 | |
| WR 612-600-037 | 5-3/4 | 6 | 3/8 | |
| WR 612-600-050-SC | 5-3/4 | 6 | 1/2 | |
| WR 612-600-050P-SC | 5-3/4 | 6 | 1/2 | |
| WR 612-600-062 | 5-3/4 | 6 | 5/8 | |
| WR 612-600-062-SC | 5-3/4 | 6 | 5/8 | |
| WR 612-600-075-SC | 5-3/4 | 6 | 3/4 | |
| WR 612-600-087 | 5-3/4 | 6 | 7/8 | |
| WR 612-600-100-SC | 5-3/4 | 6 | 1 | |
| WR 612-600-107 | 5-3/4 | 6 | 1-1/16 | |
| WR 612-600-124-SC | 5-3/4 | 6 | 1.240 | |
| WR 612-600-125 | 5-3/4 | 6 | 1-1/8 | |
| WR 612-600-131-SC | 5-3/4 | 6 | 1-5/16 | |
| WR 612-600-150 | 5-3/4 | 6 | 1-1/2 | |
| WR 612-600-150-ST | 5-3/4 | 6 | 1-1/2 | |
| WR 612-600-174-SC | 5-3/4 | 6 | 1.74 | |
| WR 612-600-200 | 5-3/4 | 6 | 2 | |

WEAR RINGS



STYLE 600 NYLON WEAR RINGS

| Part Number | A Nom. ID | B Nom. OD | C Nom. Ht | |
|--------------------|-----------|-----------|-----------|--|
| WR 612-600-286 | 5-3/4 | 6 | 2-55/64 | |
| WR 612-625-050 | 6 | 6-1/4 | 1/2 | |
| WR 612-625-062 | 6 | 6-1/4 | 5/8 | |
| WR 612-625-075 | 6 | 6-1/4 | 3/4 | |
| WR 612-625-100 | 6 | 6-1/4 | 1 | |
| WR 612-625-149-SC | 6 | 6-1/4 | 1.49 | |
| WR 612-625-150 | 6 | 6-1/4 | 1-1/2 | |
| WR 612-625-174-SC | 6 | 6-1/4 | 1.74 | |
| WR 612-625-200 | 6 | 6-1/4 | 2 | |
| WR 612-625-200P-SC | 6 | 6-1/4 | 2 | |
| WR 612-625-274-SC | 6 | 6-1/4 | 2.74 | |
| WR 612-650-037 | 6-1/4 | 6-1/2 | 3/8 | |
| WR 612-650-050-SC | 6-1/4 | 6-1/2 | 1/2 | |
| WR 612-650-062 | 6-1/4 | 6-1/2 | 5/8 | |
| WR 612-650-075 | 6-1/4 | 6-1/2 | 3/4 | |
| WR 612-650-100-SC | 6-1/4 | 6-1/2 | 1 | |
| WR 612-650-125 | 6-1/4 | 6-1/2 | 1-1/4 | |
| WR 612-650-137 | 6-1/4 | 6-1/2 | 1-3/8 | |
| WR 612-650-149-SC | 6-1/4 | 6-1/2 | 1.49 | |
| WR 612-650-150-ST | 6-1/4 | 6-1/2 | 1-1/2 | |
| WR 612-650-174 | 6-1/4 | 6-1/2 | 1.74 | |
| WR 612-650-199-SC | 6-1/4 | 6-1/2 | 1.99 | |
| WR 612-650-200 | 6-1/4 | 6-1/2 | 2 | |
| WR 612-650-274-SC | 6-1/4 | 6-1/2 | 2.74 | |
| WR 612-650-286 | 6-1/4 | 6-1/2 | 2-55/64 | |
| WR 612-650-348-SC | 6-1/4 | 6-1/2 | 3-31/64 | |
| WR 612-675-050 | 6-1/2 | 6-3/4 | 1/2 | |
| WR 612-675-075 | 6-1/2 | 6-3/4 | 3/4 | |
| WR 612-675-100 | 6-1/2 | 6-3/4 | 1 | |
| WR 612-675-150P | 6-1/2 | 6-3/4 | 1-1/2 | |
| WR 612-676-125P-SC | 6.506 | 6.756 | 1-1/4 | |
| WR 612-700-050-SC | 6-3/4 | 7 | 1/2 | |
| WR 612-700-062 | 6-3/4 | 7 | 5/8 | |
| WR 612-700-062-SC | 6-3/4 | 7 | 5/8 | |
| WR 612-700-075-SC | 6-3/4 | 7 | 3/4 | |
| WR 612-700-100-SC | 6-3/4 | 7 | 1 | |
| WR 612-700-068 | 6-3/4 | 7 | 1-1/16 | |
| WR 612-700-149-ST | 6-3/4 | 7 | 1-31/64 | |
| WR 612-700-150-SC | 6-3/4 | 7 | 1-1/2 | |
| WR 612-700-174 | 6-3/4 | 7 | 1.74 | |
| WR 612-700-199-SC | 6-3/4 | 7 | 1.99 | |
| WR 612-700-200 | 6-3/4 | 7 | 2 | |
| WR 612-700-236-SC | 6-3/4 | 7 | 2-23/64 | |
| WR 612-700-300 | 6-3/4 | 7 | 3 | |
| WR 612-700-312 | 6-3/4 | 7 | 3-7/64 | |
| WR 612-725-050 | 7 | 7-1/4 | 1/2 | |
| WR 612-725-062 | 7 | 7-1/4 | 5/8 | |
| WR 612-725-075 | 7 | 7-1/4 | 3/4 | |
| WR 612-725-100-SC | 7 | 7-1/4 | 1 | |
| WR 612-725-138 | 7 | 7-1/4 | 1-3/8 | |
| WR 612-725-199-SC | 7 | 7-1/4 | 1.99 | |
| WR 612-725-200 | 7 | 7-1/4 | 2 | |
| WR 612-725-200P-SC | 7 | 7-1/4 | 2 | |
| WR 612-725-710 | 7 | 7-1/4 | 7.1 | |
| WR 612-750-050 | 7-1/4 | 7-1/2 | 1/2 | |
| WR 612-750-062 | 7-1/4 | 7-1/2 | 5/8 | |
| WR 612-750-075 | 7-1/4 | 7-1/2 | 3/4 | |
| WR 612-750-100 | 7-1/4 | 7-1/2 | 1 | |

| Part Number | A Nom. ID | B Nom. OD | C Nom. Ht | |
|-------------------|-----------|-----------|-----------|--|
| WR 612-750-149-SC | 7-1/4 | 7-1/2 | 1.49 | |
| WR 612-750-200 | 7-1/4 | 7-1/2 | 2 | |
| WR 612-750-236 | 7-1/4 | 7-1/2 | 2-23/64 | |
| WR 612-750-249-SC | 7-1/4 | 7-1/2 | 2.49 | |
| WR 612-750-295 | 7-1/4 | 7-1/2 | 2.935 | |
| WR 612-775-050 | 7-1/2 | 7-3/4 | 1/2 | |
| WR 612-775-100 | 7-1/2 | 7-3/4 | 1 | |
| WR 612-775-199 | 7-1/2 | 7-3/4 | 1.99 | |
| WR 612-775-350 | 7-1/2 | 7-3/4 | 3-1/2 | |
| WR 612-787-100 | 7-5/8 | 7-7/8 | 1 | |
| WR 612-800-050-SC | 7-3/4 | 8 | 1/2 | |
| WR 612-800-062 | 7-3/4 | 8 | 5/8 | |
| WR 612-800-075-SC | 7-3/4 | 8 | 3/4 | |
| WR 612-800-087 | 7-3/4 | 8 | 7/8 | |
| WR 612-800-100-SC | 7-3/4 | 8 | 1 | |
| WR 612-800-146-ST | 7-3/4 | 8 | 1.46 | |
| WR 612-800-200 | 7-3/4 | 8 | 2 | |
| WR 612-800-225-SC | 7-3/4 | 8 | 2.244 | |
| WR 612-800-500 | 7-3/4 | 8 | 5 | |
| WR 612-825-075 | 8 | 8-1/4 | 3/4 | |
| WR 612-825-100-SC | 8 | 8-1/4 | 1 | |
| WR 612-825-125 | 8 | 8-1/4 | 1-1/4 | |
| WR 612-825-174-SC | 8 | 8-1/4 | 1.74 | |
| WR 612-825-212-SC | 8 | 8-1/4 | 2-1/8 | |
| WR 612-825-224-SC | 8 | 8-1/4 | 2-15/64 | |
| WR 612-825-249 | 8 | 8-1/4 | 2.485 | |
| WR 612-825-274 | 8 | 8-1/4 | 2.74 | |
| WR 612-825-411-SC | 8 | 8-1/4 | 4-7/64 | |
| WR 612-850-050 | 8-1/4 | 8-1/2 | 1/2 | |
| WR 612-850-062 | 8-1/4 | 8-1/2 | 5/8 | |
| WR 612-850-075 | 8-1/4 | 8-1/2 | 3/4 | |
| WR 612-850-100 | 8-1/4 | 8-1/2 | 1 | |
| WR 612-850-117-SC | 8-1/4 | 8-1/2 | 1.174 | |
| WR 612-850-150-ST | 8-1/4 | 8-1/2 | 1-1/2 | |
| WR 612-850-200 | 8-1/4 | 8-1/2 | 2 | |
| WR 612-850-236 | 8-1/4 | 8-1/2 | 2.36 | |
| WR 612-850-237 | 8-1/4 | 8-1/2 | 2-3/8 | |
| WR 612-850-300 | 8-1/4 | 8-1/2 | 3 | |
| WR 612-862-050 | 8-3/8 | 8-5/8 | 1/2 | |
| WR 612-862-100 | 8-3/8 | 8-5/8 | 1 | |
| WR 612-875-100 | 8-1/2 | 8-3/4 | 1 | |
| WR 612-900-050 | 8-3/4 | 9 | 1/2 | |
| WR 612-900-062 | 8-3/4 | 9 | 5/8 | |
| WR 612-900-075 | 8-3/4 | 9 | 3/4 | |
| WR 612-900-075-SC | 8-3/4 | 9 | 3/4 | |
| WR 612-900-100 | 8-3/4 | 9 | 1 | |
| WR 612-900-150-SC | 8-3/4 | 9 | 1-1/2 | |
| WR 612-900-200 | 8-3/4 | 9 | 2 | |
| WR 612-900-293-SC | 8-3/4 | 9 | 2.946 | |
| WR 612-912-100 | 8-7/8 | 9-1/8 | 1 | |
| WR 612-925-100-SC | 9 | 9-1/4 | 1 | |
| WR 612-925-101-SC | 8.994 | 9-1/4 | 1-1/64 | |
| WR 612-925-150-SC | 9 | 9-1/4 | 1-1/2 | |
| WR 612-925-225 | 9 | 9-1/4 | 2-1/4 | |
| WR 612-950-050 | 9-1/4 | 9-1/2 | 1/2 | |
| WR 612-950-062 | 9-1/4 | 9-1/2 | 5/8 | |
| WR 612-950-075 | 9-1/4 | 9-1/2 | 3/4 | |
| WR 612-950-100 | 9-1/4 | 9-1/2 | 1 | |

WEAR RINGS



STYLE 600 NYLON WEAR RINGS

| Part Number | A Nom. ID | B Nom. OD | C Nom. Ht | |
|--------------------|-----------|-----------|-----------|--|
| WR 612-950-125 | 9-1/4 | 9-1/2 | 1-1/4 | |
| WR 612-962-150P-SC | 9-3/8 | 9-5/8 | 1-1/2 | |
| WR 612-975-050 | 9-1/2 | 9-3/4 | 1/2 | |
| WR 612-975-075 | 9-1/2 | 9-3/4 | 3/4 | |
| WR 612-987-050 | 9-5/8 | 9-7/8 | 1/2 | |
| WR 612-1000-025 | 9-3/4 | 10 | 1/4 | |
| WR 612-1000-050-SC | 9-3/4 | 10 | 1/2 | |
| WR 612-1000-062 | 9-3/4 | 10 | 5/8 | |
| WR 612-1000-075-SC | 9-3/4 | 10 | 3/4 | |
| WR 612-1000-100-SC | 9-3/4 | 10 | 1 | |
| WR 612-1000-125 | 9-3/4 | 10 | 1-1/4 | |
| WR 612-1000-149-SC | 9-3/4 | 10 | 1.485 | |
| WR 612-1000-150 | 9-3/4 | 10 | 1-1/2 | |
| WR 612-1000-175 | 9-3/4 | 10 | 1-3/4 | |
| WR 612-1000-274-SC | 9-3/4 | 10 | 2.74 | |
| WR 612-1000-324-SC | 9-3/4 | 10 | 3.24 | |
| WR 612-1025-075 | 10 | 10-1/4 | 3/4 | |
| WR 612-1025-100 | 10 | 10-1/4 | 1 | |
| WR 612-1025-125-SC | 10 | 10-1/4 | 1-1/4 | |
| WR 612-1050-050 | 10-1/4 | 10-1/2 | 1/2 | |
| WR 612-1050-100 | 10-1/4 | 10-1/2 | 1 | |
| WR 612-1050-125 | 10-1/4 | 10-1/2 | 1-1/4 | |
| WR 612-1050-150-ST | 10-1/4 | 10-1/2 | 1-1/2 | |
| WR 612-1050-274 | 10-1/4 | 10-1/2 | 2.74 | |
| WR 612-1050-374-SC | 10-1/4 | 10-1/2 | 3.74 | |
| WR 612-1050-375 | 10-1/4 | 10-1/2 | 3-3/4 | |
| WR 612-1050-400 | 10-1/4 | 10-1/2 | 4 | |
| WR 612-1100-050 | 10-3/4 | 11 | 1/2 | |
| WR 612-1100-100 | 10-3/4 | 11 | 1 | |
| WR 612-1100-125 | 10-3/4 | 11 | 1-1/4 | |
| WR 612-1100-162 | 10-3/4 | 11 | 1-5/8 | |
| WR 612-1100-187 | 10-3/4 | 11 | 1-7/8 | |
| WR 612-1100-323-SC | 10-3/4 | 11 | 3.235 | |
| WR 612-1125-125 | 11 | 11-1/4 | 1-1/4 | |
| WR 612-1150-075 | 11-1/4 | 11-1/2 | 3/4 | |
| WR 612-1150-125 | 11-1/4 | 11-1/2 | 1-1/4 | |
| WR 612-1150-387 | 11-1/4 | 11-1/2 | 3-7/8 | |
| WR 612-1200-050 | 11-3/4 | 12 | 1/2 | |
| WR 612-1200-100P | 11-3/4 | 12 | 1 | |
| WR 612-1200-125 | 11-3/4 | 12 | 1-1/4 | |
| WR 612-1200-150 | 11-3/4 | 12 | 1-1/2 | |
| WR 612-1200-200 | 11-3/4 | 12 | 2 | |
| WR 612-1225-100 | 12 | 12-1/4 | 1 | |
| WR 612-1225-125 | 12 | 12-1/4 | 1-1/4 | |
| WR 612-1250-075 | 12-1/4 | 12-1/2 | 3/4 | |
| WR 612-1250-399-SC | 12-1/4 | 12-1/2 | 3.987 | |
| WR 612-1275-399-SC | 12-1/2 | 12-3/4 | 3.987 | |
| WR 612-1300-150 | 12-3/4 | 13 | 1-1/2 | |
| WR 612-1325-100 | 13 | 13-1/4 | 1 | |
| WR 612-1350-075 | 13-1/4 | 13-1/2 | 3/4 | |
| WR 612-1375-399-SC | 13-1/2 | 13-3/4 | 4 | |
| WR 612-1400-050 | 13-3/4 | 14 | 1/2 | |
| WR 612-1400-100-SC | 13-3/4 | 14 | 1 | |
| WR 612-1400-125 | 13-3/4 | 14 | 1-1/4 | |
| WR 612-1400-150 | 13-3/4 | 14 | 1-1/2 | |
| WR 612-1425-399-SC | 14 | 14-1/4 | 3.993 | |
| WR 612-1600-050 | 15-3/4 | 16 | 1/2 | |
| WR 612-1600-100-SC | 15-3/4 | 16 | 1 | |

| Part Number | A Nom. ID | B Nom. OD | C Nom. Ht | |
|--------------------|-----------|-----------|-----------|--|
| WR 612-1600-150 | 15-3/4 | 16 | 1-1/2 | |
| 3/16" C/S | | | | |
| WR 616-2203-062 | 1.825 | 2.2 | 5/8 | |
| WR 616-2623-062 | 2-1/4 | 2-5/8 | 5/8 | |
| WR 616-2873-062 | 2-1/2 | 2-7/8 | 5/8 | |
| WR 616-3003-050 | 2-5/8 | 3 | 1/2 | |
| WR 616-3003-075 | 2-5/8 | 3 | 3/4 | |
| WR 616-3003-087 | 2-5/8 | 3 | 7/8 | |
| WR 616-3063-062 | 2-11/16 | 3-1/16 | 5/8 | |
| WR 616-3123-100 | 2-3/4 | 3-1/8 | 1 | |
| WR 616-3123-125 | 2-3/4 | 3-1/8 | 1-1/4 | |
| WR 616-3253-062 | 2-7/8 | 3-1/4 | 5/8 | |
| WR 616-3373-125 | 3 | 3-3/8 | 1-1/4 | |
| WR 616-3503-050 | 3-1/8 | 3-1/2 | 1/2 | |
| WR 616-3503-075 | 3-1/8 | 3-1/2 | 3/4 | |
| WR 616-3503-100 | 3-1/8 | 3-1/2 | 1 | |
| WR 616-3623-125 | 3-1/4 | 3-5/8 | 1-1/4 | |
| WR 616-3873-125 | 3-1/2 | 3-7/8 | 1-1/4 | |
| WR 616-3873-175 | 3-1/2 | 3-7/8 | 1-3/4 | |
| WR 616-3873-262 | 3-1/2 | 3-7/8 | 2-5/8 | |
| WR 616-4003-050 | 3-5/8 | 4 | 1/2 | |
| WR 616-4003-087 | 3-5/8 | 4 | 7/8 | |
| WR 616-4003-100 | 3-5/8 | 4 | 1 | |
| WR 616-4123-100 | 3-3/4 | 4-1/8 | 1 | |
| WR 616-4253-075 | 3-7/8 | 4-1/4 | 3/4 | |
| WR 616-4373-150 | 4 | 4-3/8 | 1-1/2 | |
| WR 616-4373-175 | 4 | 4-3/8 | 1-3/4 | |
| WR 616-4503-050 | 4-1/8 | 4-1/2 | 1/2 | |
| WR 616-4503-100 | 4-1/8 | 4-1/2 | 1 | |
| WR 616-4875-150 | 4-1/2 | 4-7/8 | 1-1/2 | |
| WR 616-4875-225 | 4-1/2 | 4-7/8 | 2-1/4 | |
| WR 616-5003-087 | 4-5/8 | 5 | 7/8 | |
| WR 616-5003-100 | 4-5/8 | 5 | 1 | |
| WR 616-5003-150 | 4-5/8 | 5 | 1-1/2 | |
| WR 616-5123-075 | 4-3/4 | 5-1/8 | 3/4 | |
| WR 616-5503-050-SC | 5-1/8 | 5-1/2 | 1/2 | |
| WR 616-5503-087 | 5-1/8 | 5-1/2 | 7/8 | |
| WR 616-5503-100 | 5-1/8 | 5-1/2 | 1 | |
| WR 616-5503-125-SC | 5-1/8 | 5-1/2 | 1-1/4 | |
| WR 616-5503-150 | 5-1/8 | 5-1/2 | 1-1/2 | |
| WR 616-5503-174 | 5-1/8 | 5-1/2 | 1.74 | |
| WR 616-5753-100 | 5-3/8 | 5-3/4 | 1 | |
| WR 616-6003-062 | 5-5/8 | 6 | 5/8 | |
| WR 616-6003-087 | 5-5/8 | 6 | 7/8 | |
| WR 616-6003-100 | 5-5/8 | 6 | 1 | |
| WR 616-6003-125 | 5-5/8 | 6 | 1-1/4 | |
| WR 616-6003-274 | 5-5/8 | 6 | 2.74 | |
| WR 616-6123-075 | 5-3/4 | 6-1/8 | 3/4 | |
| WR 616-6123-095 | 5-3/4 | 6-1/8 | 61/64 | |
| WR 616-6503-075 | 6-1/8 | 6-1/2 | 3/4 | |
| WR 616-6503-150 | 6-1/8 | 6-1/2 | 1-1/2 | |
| WR 616-6753-100 | 6-3/8 | 6-3/4 | 1 | |
| WR 616-7003-125 | 6-5/8 | 7 | 1-1/4 | |
| WR 616-7123-087 | 6-3/4 | 7-1/8 | 7/8 | |
| WR 616-7123-100 | 6-3/4 | 7-1/8 | 1 | |
| WR 616-7253-100 | 6-7/8 | 7-1/4 | 1 | |
| WR 616-7253-306 | 6-7/8 | 7-1/4 | 3-1/16 | |

WEAR RINGS



STYLE 600 NYLON WEAR RINGS

| Part Number | A Nom. ID | B Nom. OD | C Nom. Ht | |
|----------------------|--------------|--------------|--------------|--|
| WR 616-7373-161 | 7 | 7.374 | 1.61 | |
| WR 616-7373-738 | 7 | 7-3/8 | 7-3/8 | |
| WR 616-8003-050 | 7-5/8 | 8 | 1/2 | |
| WR 616-8003-150 | 7-5/8 | 8 | 1-1/2 | |
| WR 616-8003-275 | 7-5/8 | 8 | 2-3/4 | |
| WR 616-8253-199 | 7-7/8 | 8-1/4 | 1.99 | |
| WR 616-8253-274 | 7-7/8 | 8-1/4 | 2.74 | |
| WR 616-8503-100 | 8-1/8 | 8-1/2 | 1 | |
| WR 616-9503-193 | 9-1/8 | 9-1/2 | 1-59/64 | |
| WR 616-9875-050 | 9-1/2 | 9-7/8 | 1/2 | |
| WR 616-10003-125 | 9-5/8 | 10 | 1-1/4 | |
| WR 616-10003-150 | 9-5/8 | 10 | 1-1/2 | |
| WR 616-11375-261-SC | 11 | 11-3/8 | 2-39/64 | |
| WR 616-11375-1097-SC | 11 | 11-3/8 | 11 | |
| WR 616-12003-250 | 11-5/8 | 12 | 2-1/2 | |
| WR 616-12253-400 | 11-7/8 | 12-1/4 | 4 | |
| WR 616-12503-200-SC | 12-1/8 | 12-1/2 | 2 | |
| WR 616-12873-289 | 12-1/2 | 12-7/8 | 2-57/64 | |
| WR 616-12875-1218-SC | 12-1/2 | 12-7/8 | 12-7/32 | |
| WR 616-13125-785-SC | 12-3/4 | 13-1/8 | 7-25/32 | |
| WR 616-13875-236-SC | 13-1/2 | 13-7/8 | 2-15/64 | |
| WR 616-13875-999-SC | 13-1/2 | 13-7/8 | 10 | |
| WR 616-14003-100 | 13-5/8 | 14 | 1 | |
| WR 616-15125-769-SC | 14-3/4 | 15-1/8 | 7-11/16 | |
| WR 616-16003-200-SC | 12-1/4 | 16 | 2 | |
| WR 616-16125-769-SC | 15-3/4 | 16-1/8 | 7-11/16 | |
| 1/4" C/S | | | | |
| WR 625-650-349 | 6 | 6-1/2 | 3.485 | |
| WR 625-825-350 | 7-3/4 | 8-1/4 | 3.485 | |

WEAR RINGS

